

Parts

Manual

MODEL

3500 MARK II

**GENERATOR DRIVE
OPTIONAL EQUIPMENT**

3500 ALLIS-CHALMERS.



ALLIS-CHALMERS

**ENGINE DIVISION
HARVEY, ILLINOIS 60426, USA**

Printed in USA

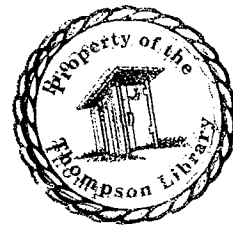
Form: TPL-4108-1

973

14-1

(9-74)

Gunny



FOREWORD

This Parts Manual contains parts information on the unit or units specified on the cover.

The Basic Engine Indexs are provided as means of identifying and locating parts pertaining to the basic engine only.

The Optional Equipment Index is provided as a means of identifying parts and accessories installed on the unit at the factory. Some optional equipment may be substituted for basic engine equipment or added to the basic engine.

The Engine Serial Number and Optional Equipment Catalog Number applying to each engine are stamped on the Engine and Optional Equipment Plate located on the left-hand side of the engine. See following illustration.

E-2398

Optional equipment parts are found by identifying the Optional Equipment Catalog Number in the nomenclature heading and/or immediately following the description of a part.

Reference Numbers (Ref.) above the text title block are to be disregarded unless the numbers are stamped on the Engine and Optional Equipment Plate or some other data refers the user to the reference number.

Attaching parts, such as capscrews, nuts, etc., are indented immediately following the parts which they attached or are attached to.

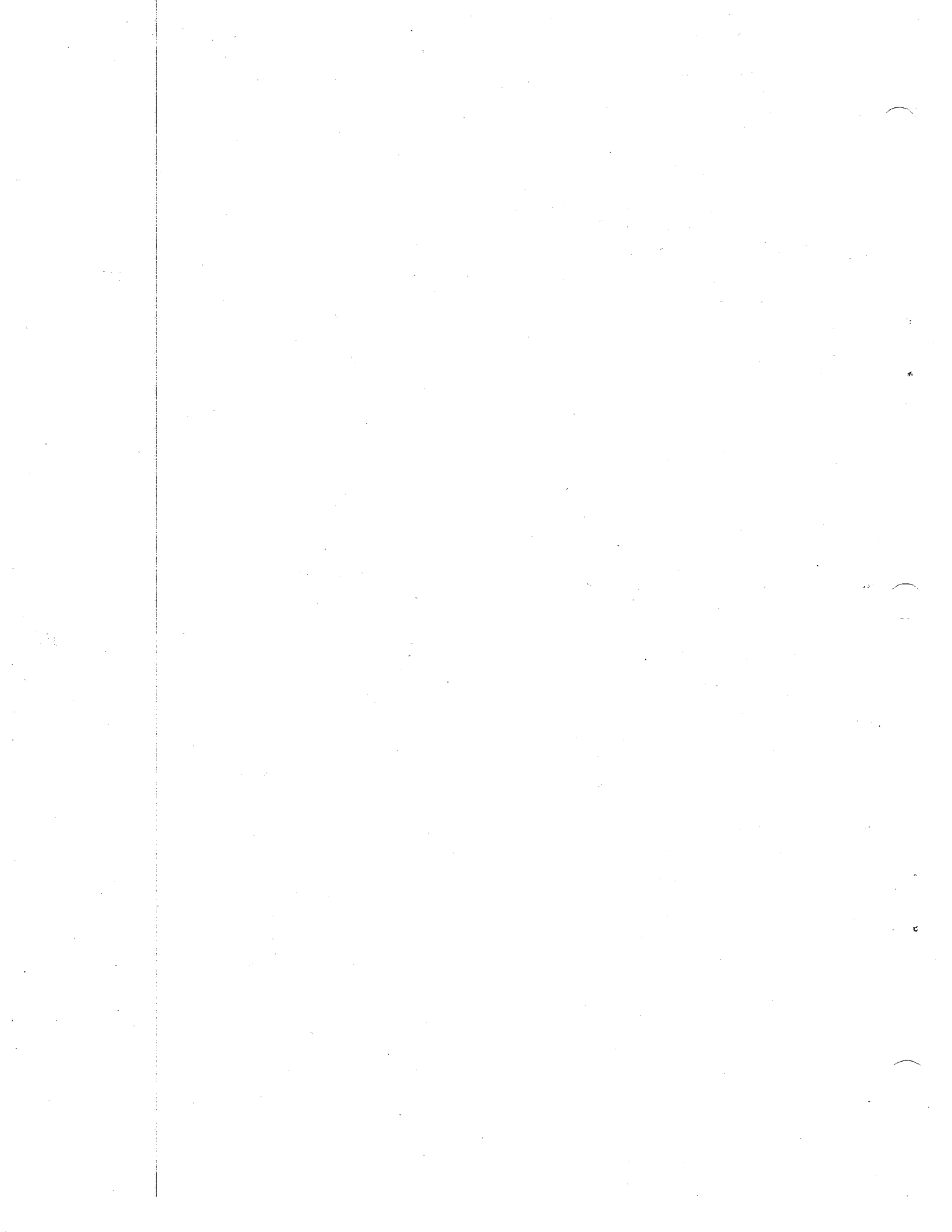
The terms "right" and "left" used in the parts list are determined by standing at flywheel end of engine and facing the flywheel.

Always give Engine Serial Number when ordering parts. To obtain shipment promptly give part number and part nomenclature. Order parts from the dealer covering the local territory.

Always indicate complete address where parts are to be shipped and specify by what means material is to be shipped. Confirm all telephone or telegraph orders in writing.

Claims for shortages or errors in shipment must be made immediately upon receipt of shipment. Claims for damages in shipment must be filed with the transportation company. No responsibility is assumed for delay or damage to merchandise while in transit.

At the time this parts catalog was published the listed part numbers were current. It is our policy to constantly improve our products and therefore, part numbers and design may change. When ordering parts, verify part numbers through your dealer's parts catalog.

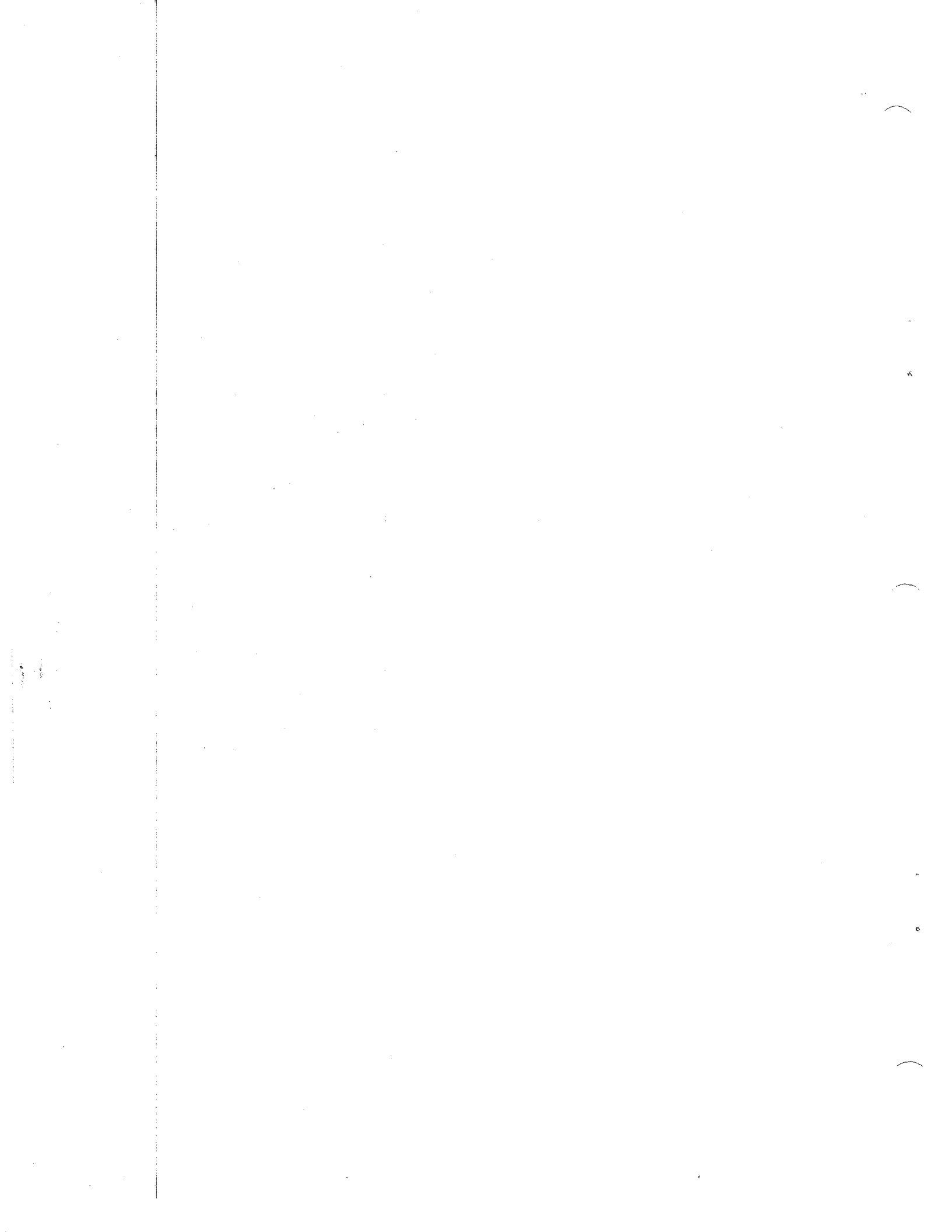


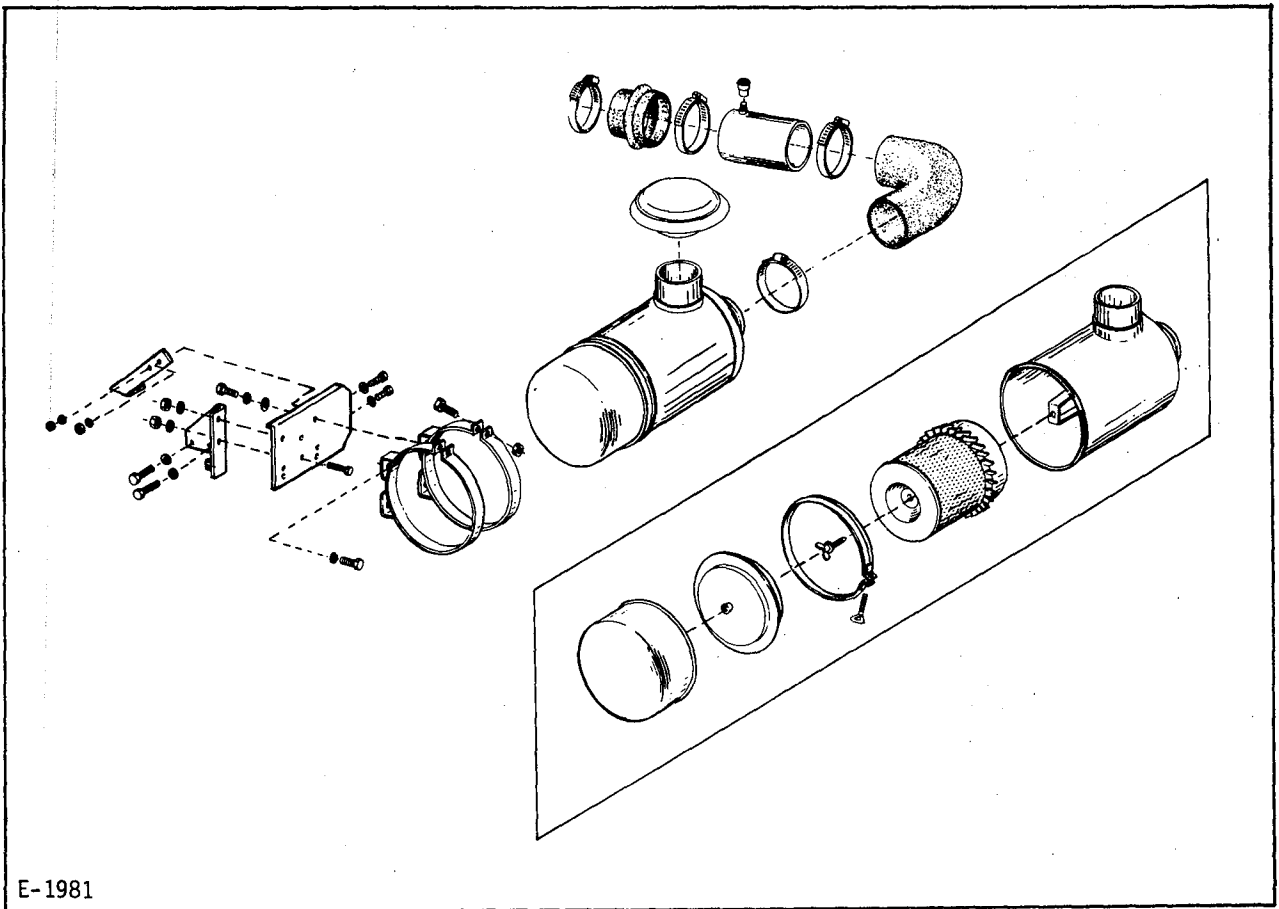
INDEX
OPTIONAL EQUIPMENT

Optional groups are selective and are additions, omissions, and substitutions to Basic Engine Equipment.

*Denotes information is in Basic Manual.

Catalog Number	Description	Page	Catalog Number	Description	Page
0920204	Reducer, Exhaust	19	4035077	Radiator	22
4025470	Adaptor, Starter	8	4035078	Fan Blade	11
4025692	Starter, Cranking Mtr. ...	8	4035091	Vertical Inj. Air Adaptor ...	3
4025961	Housing, Flywheel	13	4035093	Muffler	20
4025962	Flywheel	12	4035116	Oil Filter, Lube Oil Bypass	17
4026118	Elbow, Exh. Diffuser	19	4035205	Fuel Inj. Pump & Governor ..	15
4026119	Hose, Flex. Exhaust	19	4035207	Fuel Inj. Pump & Governor ..	15
4026175	Flywheel	12	4035210	Fuel Inj. Pump & Governor ..	15
4026314	Flywheel	12	4035215	Heat Exchanger	25
4026316	Flywheel	12	4035305	Alt., Regulator & Ammeter Omission	*
4026318	Flywheel	12	4035292	Air Cleaner	5/31
4026715	Housing, Flywheel	13	4035295	Intake and Water Cooled Exhaust Manifold . 27 thru 34	
4027724	Drive Ay. (Tachometer & O-Speed Sw.)	10	4389859	Adaptor, Angle Drive	10
4028935	Immersion Heater	16	4401726	Ammeter Omission	*
4028938	Immersion Heater	16	4403571	Hose, Flex. Exh.	19
4029597	Ether (Cold-Start) Aid ...	9	4472618	Air Cleaner	1
4029638	Ether (Cold-Start) Aid ...	9	4472660	Starter, Cranking Mtr.	8
4029698	Fuel Filter & Water Separator	14	4472759	Air Duct Adaptor	22
4029801	Engine Supports	21	4472768	Alternator, 24V D.C.	7
4029802	Exhaust Stack	19	4472785	Muffler	20
4029803	Fan Guard	22	4472786	Air Cleaner	3
4029804	Fan Blade	11	4472787	Air Cleaner	3
4029806	Core Guard	22	4472793	Remote Speed Contr. Mtr. ...	24
4029818	Radiator Shell	22			





E-1981

AIR CLEANER
 (4472618) (4472719 OMISSION)

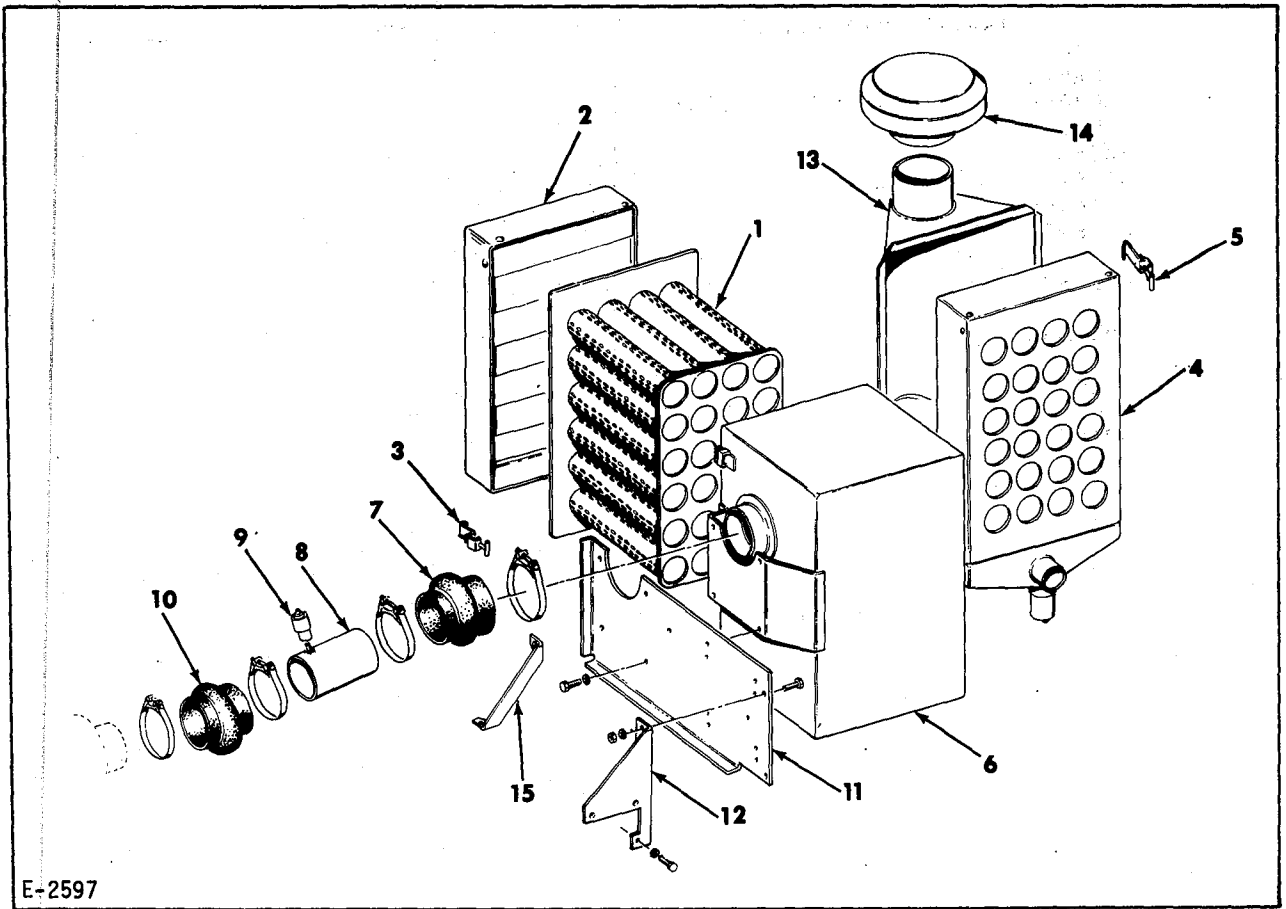
ITEM	PART NUMBER	QTY	DESCRIPTION	PACKAGE NO
1	3046858	1	ELEMENT, AIR FILTER	
2	4021443	1	AIR CLEANER AY.	
3	4059256	1	CUP, DUST	
4	0638416	1	BAFFLE, DUST	
5	0638415	1	CLAMP AY. (INCL BOLT)	
6	0239517	1	BOLT AND GASKET	
7	0240441	1	CAP, INLET	
8	0925262	4	CLAMP, HOSE	
9	4021402	1	ELBOW, OUTLET	
10	4027482	1	TUBE W/PROVISION FOR INDICATOR	
11	4021600	1	INDICATOR, SERVICE	
12	4021401	1	ADAPTOR, FLEXIBLE	
13	3024555	2	BAND (INCL NUT & BOLT)	
	0916431	4	CAPSCREW, 5/16 NC X 1	
	0917356	4	LOCKWASHER	
	0917372	4	NUT	

CONTINUED

AIR CLEANER (CONTINUED)
 (4472618) (4472719 OMISSION)

ITEM	PART NUMBER	QTY	DESCRIPTION	PACKAGE NO
14	4026863	1	BRACKET, MOUNTING	
	0916272	3	CAPSCREW, 3/8 NC X 1 1/4	
	0910287	3	LOCKWASHER	
15	4026861	1	BRACE, BRACKET	
	0916272	2	CAPSCREW, 3/8 NC X 1 1/4	
	0916965	2	LOCKWASHER	
	0916950	2	NUT	
16	-----	1	BRACE(REFER TO CYL HEAD)	
	0919351	2	CAPSCREW, 1/4 NC X 7/8	
	0918264	2	WASHER	
	0916964	2	LOCKWASHER	
	0916622	2	NUT	

NOTE- OMISSION GROUP 4472719 PROVIDES FOR
 FACTORY REMOVAL FROM DES UNIT
 PRIOR TO SHIPMENT.



E-2597

AIR CLEANER
 (4472757)(4472783)(4472786)(4472787)(4035091)

ITEM	PART NUMBER	QTY	DESCRIPTION	PACKAGE NO
1	0634446	1	CARTRIDGE, 24 TUBE ELEMENT	
2	4320800	1	PANEL, MOISTURE ELIMINATOR (4472783)(4472786)	
3	4024429	4	FASTENER AY. (FOR PANEL 4320800)	
4	4029903	1	PRE-CLEANER W/BLEED VALVE (4472757) (4472787)	
5	4024430	4	FASTENER AY. (FOR PRE-CLEANER 4029903)	
6	4029634	1	HOUSING, AIR CLEANER	
	0916269	4	CAPSCREW, 3/8 NC X 7/8	
	0916965	4	LOCKWASHER	
7	4359319	1	REDUCER, FLEX ADAPTOR	
	0929293	1	CLAMP, 4 1/16 MAX	
	0925262	1	CLAMP, 3 9/16 MAX	
8	4029635	1	TUBE (W/PROVISION FOR INDICATOR)	
9	4021600	1	INDICATOR, SERVICE	
10	4021401	1	ADAPTOR, FLEX	
	0925262	2	CLAMP	
11	4029625	1	PLATE, MOUNTING	
	0916272	3	CAPSCREW, 3/8 NC X 1 1/4	
	0916965	3	LOCKWASHER	
	0916950	3	NUT	

CONTINUED

AIR CLEANER (CONTINUED)
(4472757)(4472783)(4472786)(4472787)(4035091)

ITEM	PART NUMBER	QTY	DESCRIPTION	PACKAGE NO
12	4026861	1	BRACE, PLATE	
	0916272	2	CAPSCREW 3/8 NC X 1 1/4	
	0916965	2	LOCKWASHER	
	0916950	2	NUT	
13	4029891	1	ADAPTOR, VERTICAL AIR INTAKE (4035091)	
14	4039008	1	CAP, RAIN (4035091)	
15	4029626	1	BRACE-(REPLACES BRACE 4025946	
	0916272	1	SPECIFIED IN CYL HD GR) CAPSCREW, 3/8 NC X 1 1/4	

(ARTWORK PENDING)

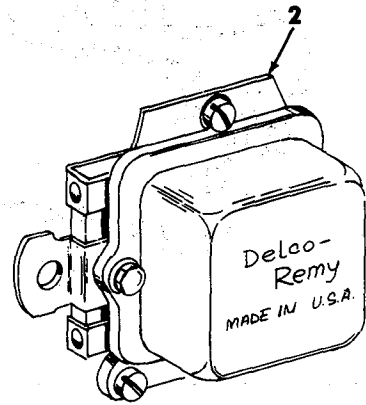
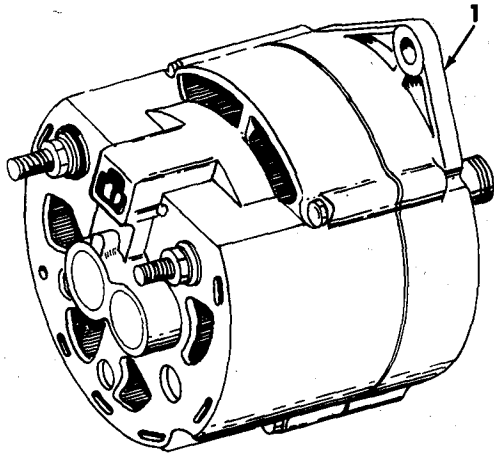
AIR CLEANER (4035292)

ITEM	PART NUMBER	QTY	DESCRIPTION	PACKAGE NO
1	3046858	1	CARTRIDGE	
2	4021443	1	AIR CLEANER AY.	
3	4059256	1	CUP, DUST	
4	0638416	1	BAFFLE, DUST	
5	0638415	1	CLAMP AY. (INCL. BOLT)	
6	0239517	1	BOLT, WITH GASKET	
7	0240441	1	CAP, INLET	
8	0925262	4	CLAMP, HOSE	
9	4021402	1	ELBOW, OUTLET	
10	4028985	1	TUBE, ELBOW	
	0622447	1	ADAPTOR, INDICATOR	
11	4021600	1	INDICATOR, SERVICE	
12	4021401	1	ADAPTOR, FLEXIBLE	
13	3024555	2	BAND/STRAP AY.	
	0914392	4	CAPSCREW, 5/16 NC X 1	
	0904205	4	LOCKWASHER	
	0910323	4	NUT	

CONTINUED

AIR CLEANER (4035292) (CONTINUED)

ITEM	PART NUMBER	QTY	DESCRIPTION	PACKAGE NO
14	4028986	1	BRACKET AY., MOUNTING	
	0916272	3	CAPSCREW, 3/8 NC X 1 1/4	
	0910287	3	LOCKWASHER	
15	4028987	1	SUPPORT AY.	
	0916269	1	CAPSCREW, 3/8 NC X 7/8	
	0910287	1	LOCKWASHER, 3/8	
	0915809	1	CAPSCREW, 5/16 X 3/4	
	0904205	1	LOCKWASHER, 5/16	



E-2786

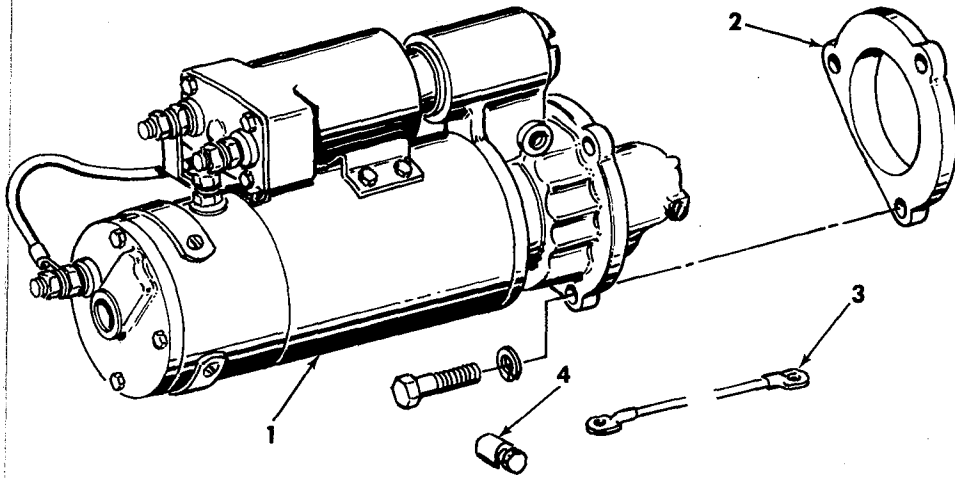
ALTERNATOR
(4029067) (4029068) (4472768)

ITEM	PART NUMBER	QTY	DESCRIPTION	PACKAGE NO
1	4027733	1	ALTERNATOR, 12V-58 AMP (4029067) DELCO REMY #1100063	
1	4028906	1	ALTERNATOR, 24V-30 AMP (4029068) (4472768) DELCO-REMY #1100074	
2	0650944	1	REGULATOR, 24V. (4029068) (4472768)	

NOTE- 1. REFER TO BASIC MANUAL REF. 4029811 ALTERNATOR GROUP FOR BALANCE OF EQUIPMENT.

NOTE- 2. GROUP 4029068 ALSO PROVIDES FOR FACTORY APPLICATION OF 24V AIR HEATER.

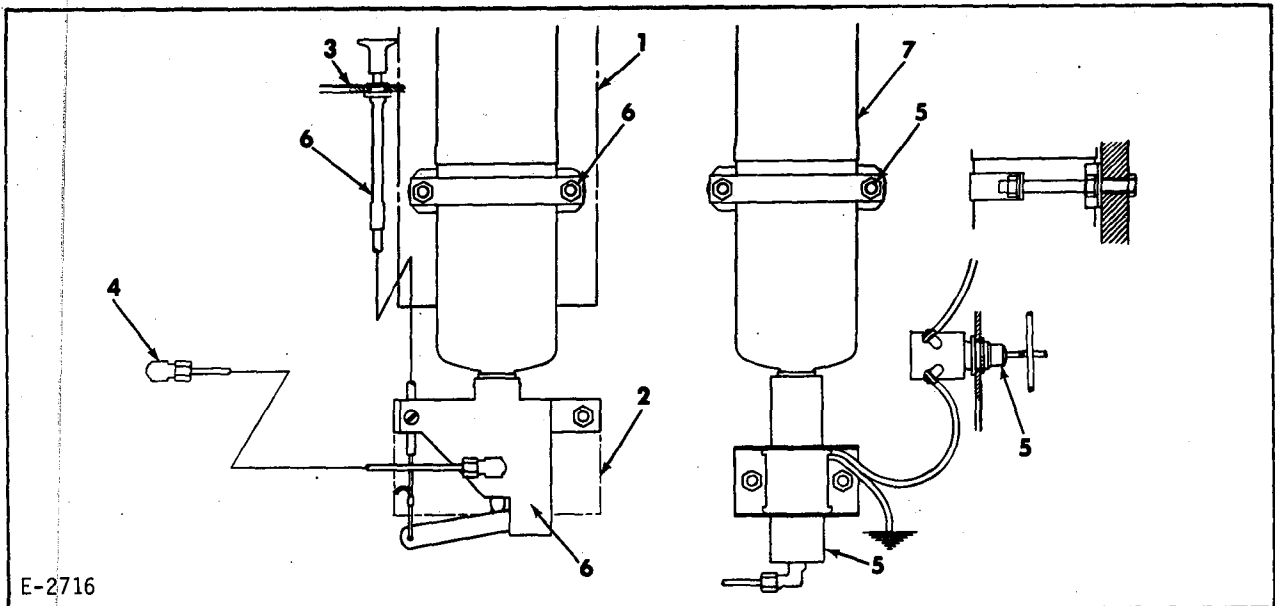
E-2246



CRANKING MOTOR (STARTER)
 (4025692)(4027621)(4472660)(4472717)(4472721)

ITEM	PART NUMBER	QTY	DESCRIPTION	PACKAGE NO
1	4354481	1	STARTER 12V (4025692) (4027621) SERVICES D.R. #1114055, 1114072, 1114098	
	0914876	3	CAPSCREW, 5/8 NC X 2 1/2	
	0904209	3	LOCKWASHER	
1	4387529	1	STARTER 24V (4472660) (4472717) DELCO REMY #1113898	
	0914876	3	CAPSCREW, 5/8 NC X 2 1/2	
	0904209	3	LOCKWASHER	
2	4025470	1	ADAPTOR	
3	4027579	1	CABLE, GROUND	
4	0240962	1	SWITCH, PUSH BUTTON (4025692) (4472660) (4472717)	

NOTE- 4472721 OMISSION GROUP PROVIDES FOR FACTORY
 REMOVAL FROM DES UNIT PRIOR TO SHIPMENT

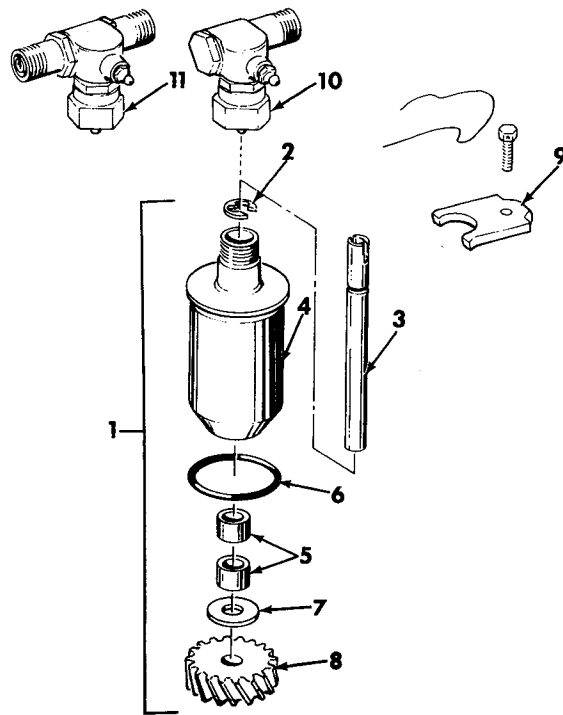


E-2716

ETHER (COLD-START) AID
 (4029596)(4029597)(4029598)(4029599)(4029637)
 (4029638) (4029639) (4029640) (4029652)

ITEM	PART NUMBER	QTY	DESCRIPTION	PACKAGE NO
1	4029475	1	BRACKET, FOR CYL. MTG.	
	0919225	2	CAPSCREW, 3/8 NCX1 3/8	
	4664292	1	WASHER, SPACER	
2	4029476	1	BRACKET, LOWER	
	0916272	2	CAPSCREW, 3/8 NC X 1 1/4	
3	4029499	1	DECAL, STARTING INSTRUCTIONS	
4	4029514	1	JET-ELBOW (140 DEGREE SPRAY ANGLE) (AT INTAKE MANIFOLD)	
5	4024725	1	AID AY. ELECTRIC INCL. VALVE AY. WITH DUST CUP, ELBOW WITH NUT & SLEEVE NYLON TUBING, SWITCH AND CLAMP AY.	
	0919926	2	CAPSCREW, 1/4 NC X 11/16	
	0916964	2	LOCKWASHER	
	0916622	2	NUT	
6	4024722	1	AID AY. MANUAL INCL. VALVE AY. WITH DUSTCUP, ELBOW WITH NUT AND SLEEVE, NYLON TUBING, CONTROL CABLE AND CLAMP AY.	
	0919926	2	CAPSCREW, 1/4 NC X 11/16	
	0916964	2	LOCKWASHER	
	0916622	2	NUT	
	0916956	2	WASHER, FOR CABLE	
7	4024792	*	CYLINDER, FUEL (NOT ORIGINAL EQUIPMENT) MUST BE PROCURED THRU DEALER OUTLET	

NOTE- AIR HEATER EQUIPMENT IS FACTORY
 REMOVED WHEN ETHER AID IS FURNISHED



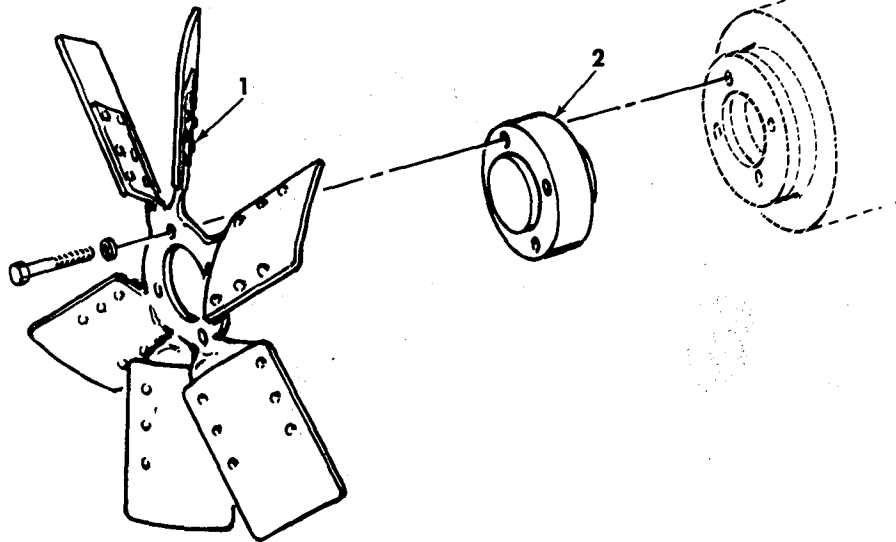
E-2600

DRIVE AY., OVERSPEED/TACHOMETER
 (4024785) (4027724) (4389858) (4389859)

ITEM	PART NUMBER	QTY	DESCRIPTION	PACKAGE NO
1	4028805	1	DRIVE AY, INCL. ITEMS 2 THRU 8 (4027724)	
2	4255932	1	RING, RETAINING	
3	4028807	1	SHAFT	
4	4028810	1	HOUSING AY. (INCL ITEM 5)	
5	4027561	2	BUSHING	
6	0923576	1	O-RING	
7	4028809	1	WASHER, THRUST	
8	4028808	1	GEAR	
9	4020814 4027690	1 1	CLAMP CAPSCREW, DRILLED HD., 3/8 NC X 1	
10	4389858	1	ADAPTOR, 90 DEG ANGLE DRIVE (4389858) INPUT OUTPUT RATIO 4:1	
10	4389859	1	ADAPTOR, 90 DEG ANGLE DRIVE (4389859) INPUT OUTPUT RATIO 1:1	
11	4024785	1	ADAPTOR, 180 DEG DUAL DRIVE (4024785) INPUT OUTPUT RATIO 1:1	

NOTE- ANGLE ADAPTORS ARE ALSO ADAPTABLE TO
 THE MULTI PLUNGER FUEL INJ PUMP

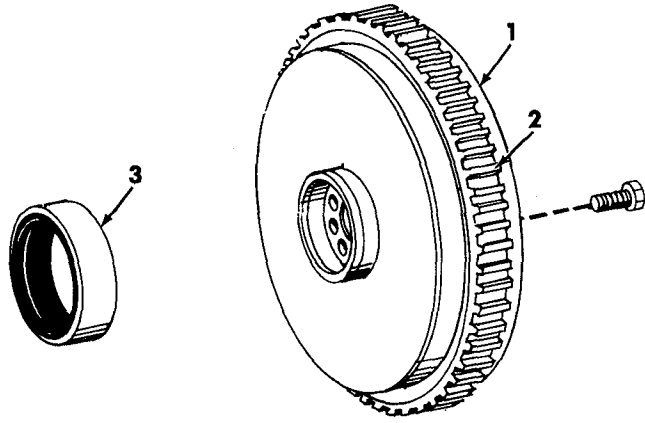
E-2252



FAN AND SPACER
(4029804) (4035078)

ITEM	PART NUMBER	QTY	DESCRIPTION	PACKAGE NO
1	4029611	1	BLADE, FAN 26 IN. SUCKER (4029804)	
	0923639	4	CAPSCREW, 3/8 NF X 4	
	0910287	4	LOCKWASHER	
2	4025641	1	SPACER	
1	4029612	1	BLADE, FAN 26 IN. BLOWER (4035078)	
	0923639	4	CAPSCREW, 3/8 NF X 4	
	0910287	4	LOCKWASHER	
2	4025641	1	SPACER	

E-2223



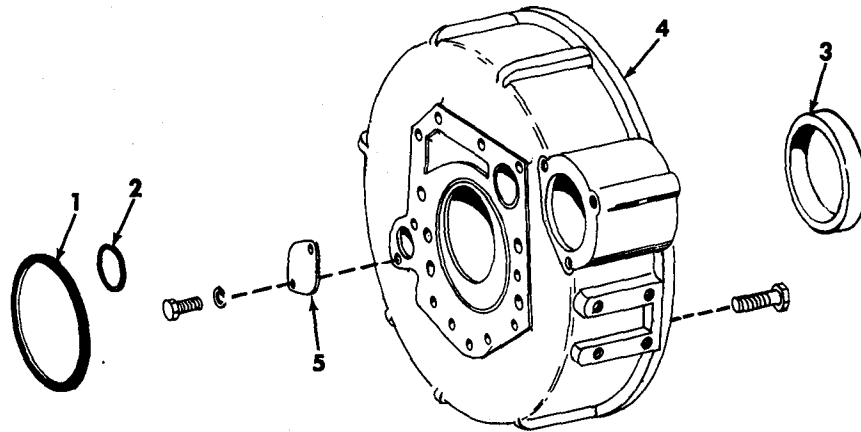
FLYWHEEL
 (4025962)(4026175)(4026314)(4026316)(4026318)

ITEM	PART NUMBER	QTY	DESCRIPTION	PACKAGE NO
1	4025735 4359805	1 6	FLYWHEEL AY. INCL. GEAR (4025962) BOLT	
2	4350235	1	GEAR, RING	
3	4029556	1	SLEEVE KIT, INCL WEAR SLEEVE 4028992 WITH INSTRUCTIONS	

NOTE- ITEM 3 USED WITH ALL FLYWHEELS

1	4026056 4359805	1 6	FLYWHEEL AY. INCL. GEAR (4026175) BOLT	
2	4350235	1	GEAR, RING	
1	4026315 4359805	1 6	FLYWHEEL AY. INCL. GEAR (4026314) BOLT	
2	4303694	1	GEAR, RING	
1	4026317 4359805	1 6	FLYWHEEL AY. INCL. GEAR (4026316) BOLT	
2	4303694	1	GEAR, RING	
1	4026319 4359807	1 6	FLYWHEEL AY. INCL. GEAR (4026318) BOLT	
2	4303694	1	GEAR, RING	

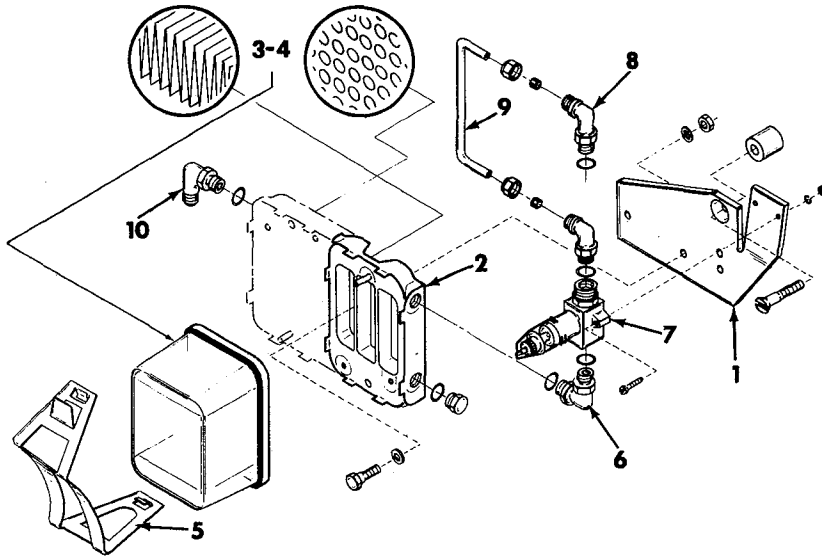
E-2222



FLYWHEEL HOUSING
(4025961) (4026715)

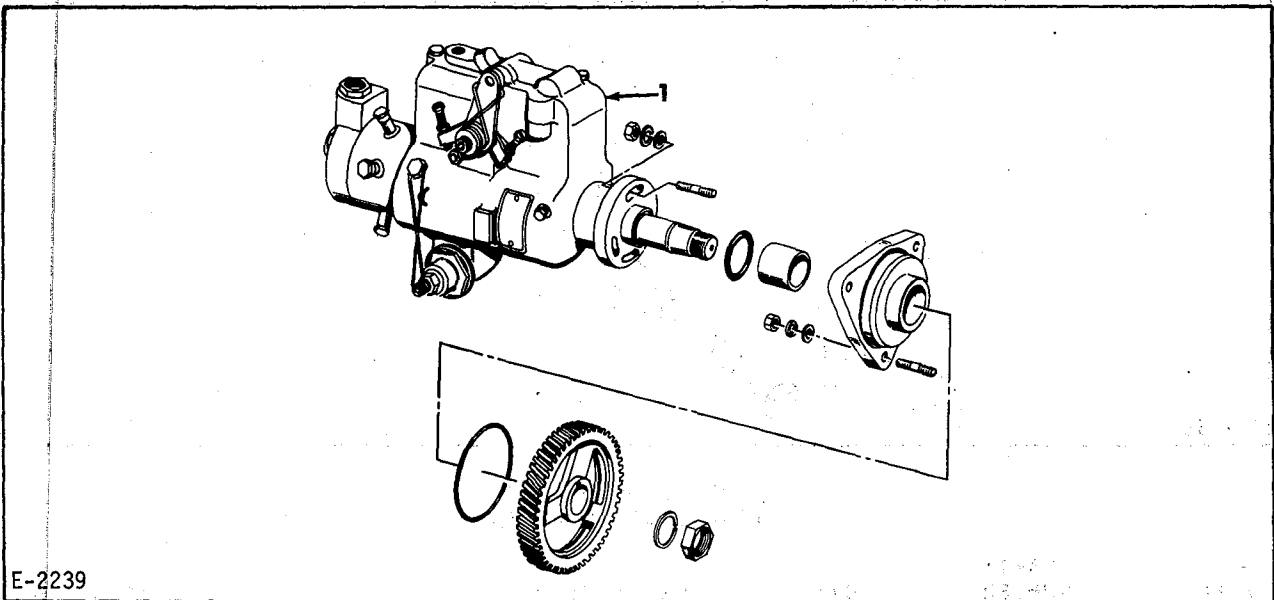
ITEM	PART NUMBER	QTY	DESCRIPTION	PACKAGE NO
1	4025097	1	O-RING (8 1/2 I.D.).....	4029573
2	4020879	1	O-RING (2 1/4 I.D.).....	4029573
3	4029502	1	SEAL KIT, REAR (INCL. SEAL 4029399 WITH INSTRUCTIONS)	
4	4026344	1	HOUSING (SAE #1) (4026715) 4 AND 8 O'CLOCK STR. PAD.	
	0916311	8	CAPSCREW, 1/2 NC X 1 1/4	
	0904208	8	LOCKWASHER	
	0918851	1	PLUG, PIPE 3/4 DRY SEAL	
	0919840	1	PLUG, PIPE 1/4 NPT	
4	4025773	1	HOUSING (SAE #3) PAD TYPE (4025961) 10 O'CLOCK STR. PAD	
	0916311	8	CAPSCREW, 1/2 NC X 1 1/4	
	0904208	8	LOCKWASHER	
	0918851	1	PLUG, PIPE 3/4 DRYSEAL	
	0919840	1	PLUG, PIPE 1/4 NPT	
5	4348253	1	COVER (4026715)	
	0916284	2	CAPSCREW 1/4 NC X 1/2	
	0904204	2	LOCKWASHER	

E-2260



FUEL FILTER AND HAND PRIMER
FOR DISTRIBUTOR TYPE F I PUMP
(4029698) - DUAL FILTER

ITEM	PART NUMBER	QTY	DESCRIPTION	PACKAGE NO
1	-----	1	BRACKET, SEE OIL PAN	
	4029724	1	SPACER	
	0929711	1	SCREW, FLT. HD. SOCKET	
2	4029468	1	BASE (DUAL ELEMENT)	
	0916271	2	CAPSCREW 3/8 NC X 1	
	0910287	2	LOCKWASHER	
	0918266	2	WASHER	
	0910324	2	NUT	
	0923167	4	PLUG-VENT AND DRAIN INCLUDES O-RING	
	0921884	4	O-RING	
3	4024232	1	FILTER, FUEL	
4	4024223	1	SEPARATOR, WATER	
5	4024237	2	CLAMP (1 TO A UNIT)	
6	4024215	1	ELBOW (INCL. 2 O-RING)	
	0921884	2	O-RING	
7	4024229	1	PUMP, HAND PRIMER	
	0914081	2	CAPSCREW #10-32 X 1	
	0904203	2	LOCKWASHER	
	0917415	2	NUT	
8	4023720	2	ELBOW, (INCL. O-RING)	
	0921884	2	O-RING	
9	4029588	1	TUBE	
	0917807	2	SLEEVE	
	0917810	2	NUT	
10	0927055	1	ELBOW INLET (INCL. O-RING)	
	0921884	1	O-RING	



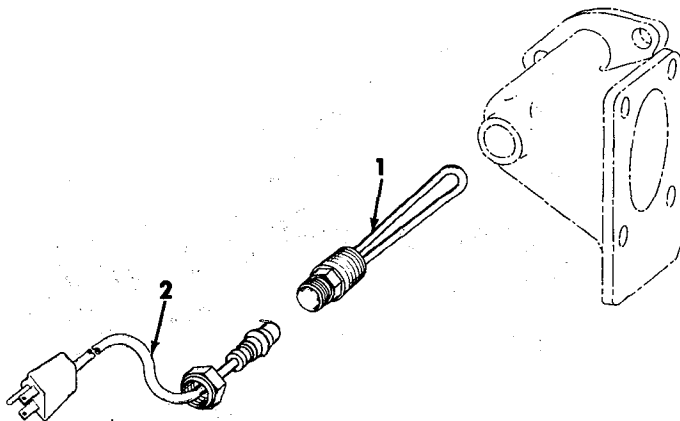
E-2239

FUEL INJECTION PUMP
 (DISTRIBUTOR TYPE)
 (4035205) (4035207) (4035210)

ITEM	PART NUMBER	QTY	DESCRIPTION	PACKAGE NO
1	4035206	1	PUMP, FUEL INJ. (1500/1800 RPM) (4035205) 3-5% REGULATION WITH 24V ETR SOLENOID (MODEL 3500 ENGINE)	
1	4035208	1	PUMP, FUEL INJ. (1500/1800 RPM) (4035207) HYDRAULIC, WITH 12V ETR SOLENOID (MODEL 3500 ENGINE)	
1	4035211	1	PUMP, FUEL INJ. (1500/1800 RPM) (4035210) HYDRAULIC, WITH 24V ETR SOLENOID (MODEL 3500 ENGINE)	

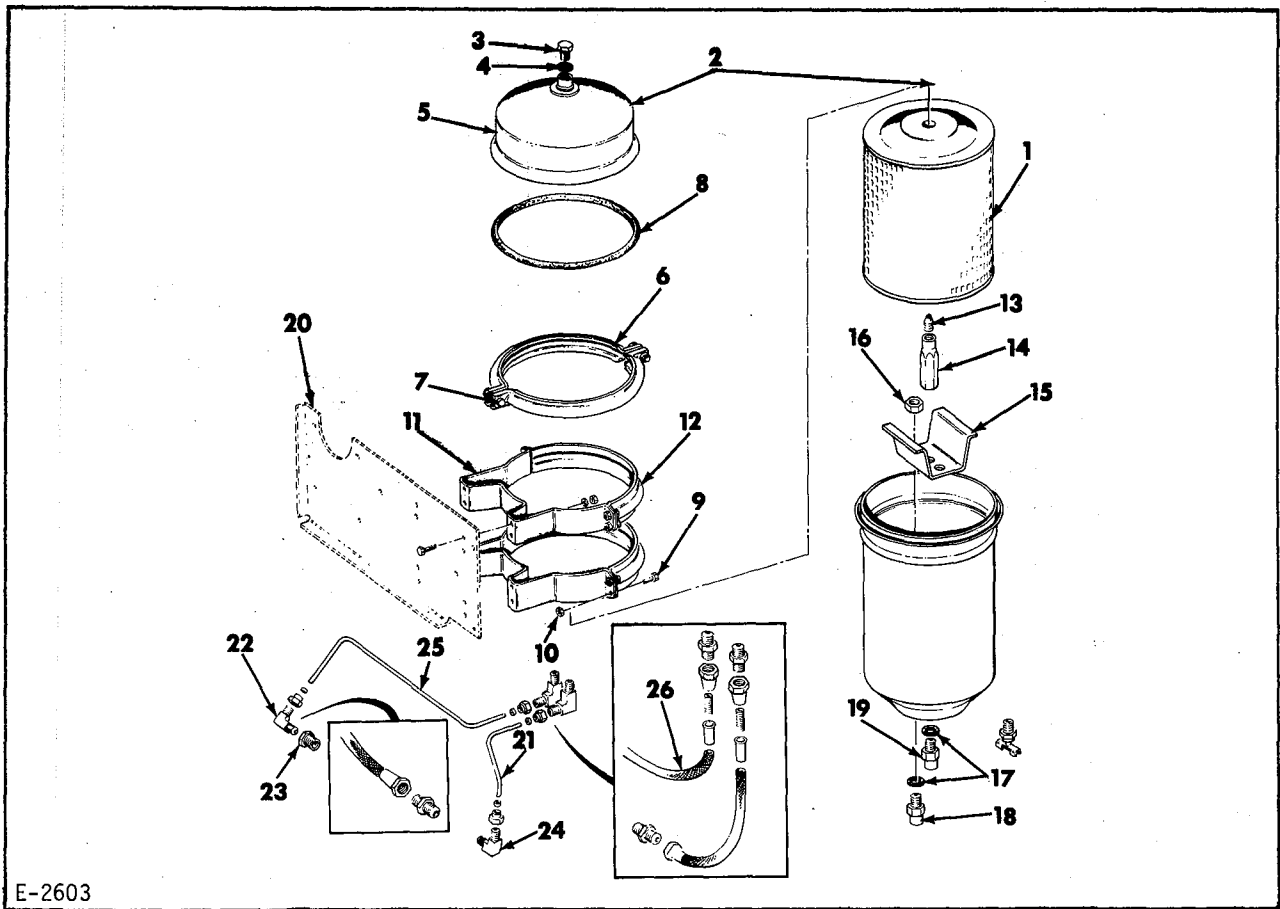
NOTE- REFER TO BASIC PARTS MANUAL FOR
 ITEMS 2 THRU 9

E-2258



IMMERSION HEATER
(4028935((4028938)

ITEM	PART NUMBER	QTY	DESCRIPTION	PACKAGE NO
1	4028936	1	ELEMENT, 120 VOLT, 1000 WATT (4028935)	
2	4028937	1	CORD, HEATER (12 INCHES)	
1	4028939	1	ELEMENT, 240 VOLT, 1000 WATT (4028938)	
2	4028940	1	CORD, HEATER (12 INCHES)	



E-2603

OIL FILTER, BY-PASS TYPE
 (4029805) (4029921) (4035065) (4035066)
 (4035116) (4035270)

ITEM	PART NUMBER	QTY	DESCRIPTION	PACKAGE NO
1	4060980	1	ELEMENT	
2	4029441	1	FILTER AY. INCL ITEMS 1 AND 3 THRU 19	
	0915809	8	CAPSCREW, 5/16 NC X 3/4	
	0904205	8	LOCKWASHER	
	0910323	8	NUT	
	0912415	1	COCK, DRAIN	
3	0084897	1	PLUG, VENT	
4	0084899	1	SEAL, PLUG	
5	4060970	1	COVER	
6	4060968	1	RING AY. (CLAMP)	
7	4060969	2	SCREW	
8	4060971	1	GASKET, COVER	
9	0922234	8	CAPSCREW	
10	0923662	8	NUT	
11	4060966	2	BRACKET	
12	4060967	2	BAND	

CONTINUED

OIL FILTER, BY-PASS TYPE (CONTINUED)
 (4029805) (4029921) (4035065) (4035066)
 (4035116) (4035270)

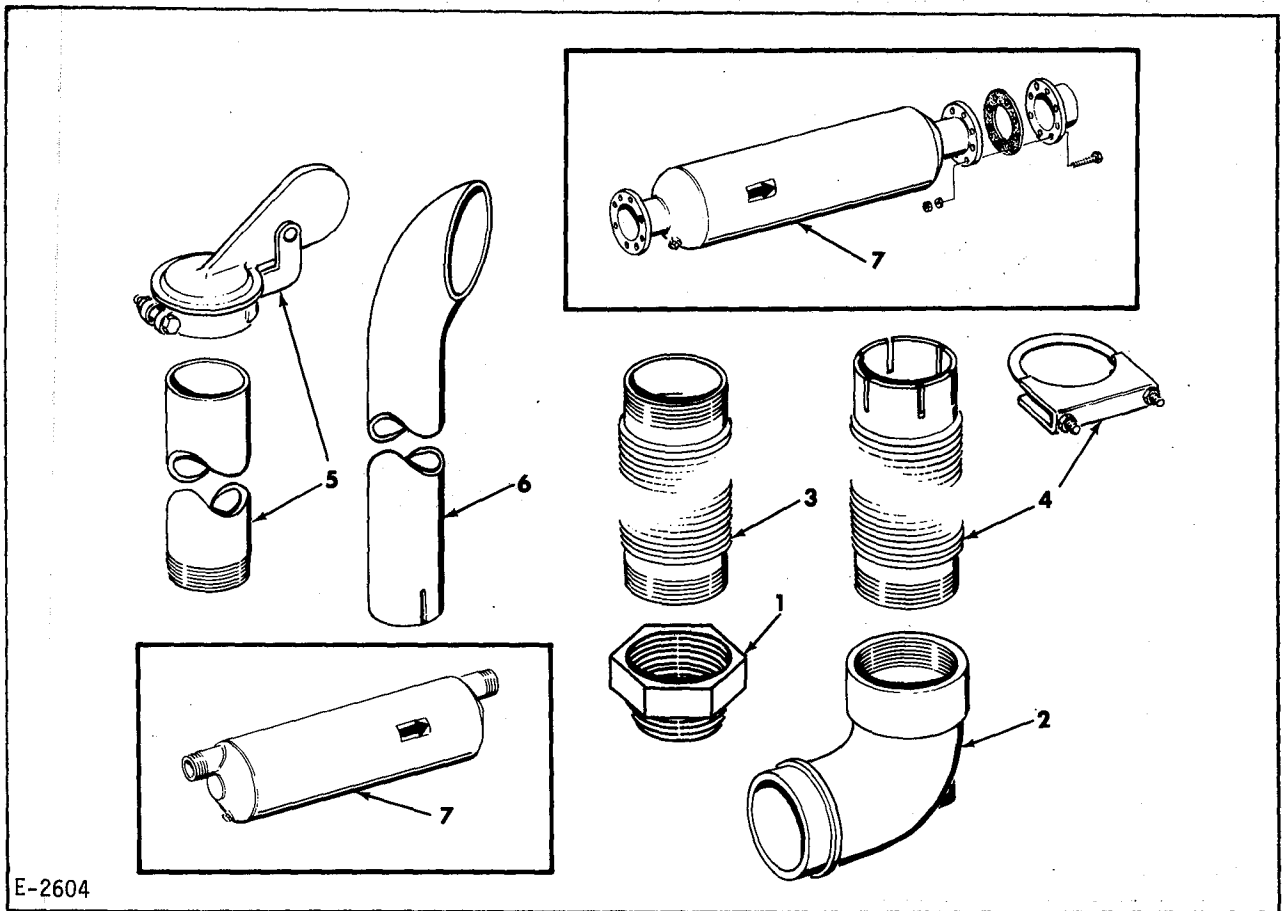
ITEM	PART NUMBER	QTY	DESCRIPTION	PACKAGE NO
13	4060979	1	PLUG, DRIFICE	
14	4060978	1	POST, OUTLET	
15	4060977	1	SUPPORT, ELEMENT (INCL. NUT)	
16	0911049	1	NUT, LOCK	
17	0063891	2	SEAL, INLET & OUTLET	
18	4060976	1	VALVE AY. OUTLET CHECK	
19	4060975	1	VALVE AY. INLET CHECK	
20	-----	1	PLATE, MOUNTING. REFER TO AIR CLEANER	
21	4029790	1	TUBE AY., INLET (INCL SLEEVES & NUTS)	
	0917807	2	SLEEVE	
	0917810	2	NUT	
22	0920790	1	ELBOW, 1/8 P.T. BRASS	
23	0917032	1	ADAPTOR	
24	0920280	3	ELBOW, 1/4 P.T. BRASS	
25	4029794	1	TUBE AY. RETURN (INCL. SLEEVES & NUTS)	
	0917807	2	SLEEVE	
	0917810	2	NUT	

NOTE- 1. GROUP 4029805 AND 4035270 INCLUDES ITEMS 1 THRU 25.

NOTE- 2. GROUPS 4029921, 4035066 AND 4035116 PROVIDES FOR SHIPMENT OF ITEM 2 ONLY UNMTD.

NOTE- 3. GROUP 4035065 DELETES ITEMS 20 THRU 25. FILTER WITH ITEM 26 ARE SHIPPED UNMOUNTED

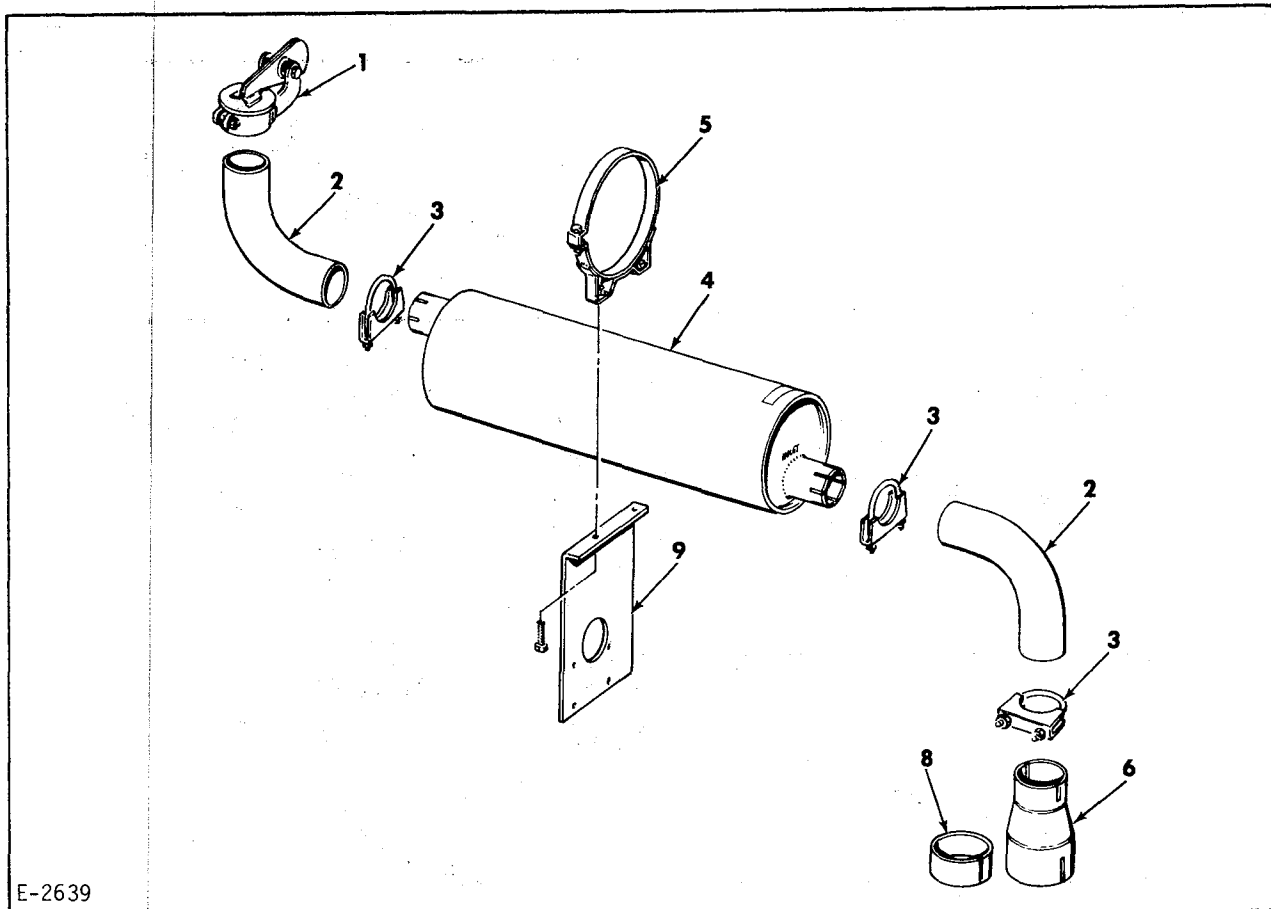
26	0928122	1	HOSE #6 (25 FT) TO SERVICE 4024787 (240 IN) FACTORY SHIPMENT	
	0919072	1	CONNECTOR, COOLER HSG.	
	0919062	1	CONNECTOR, FILTER AND CYL. BLOCK	
	0928090	4	NUT *	
	0928096	4	NIPPLE *	
	0928084	4	SOCKET *	
			(ONE EACH FOR EACH HOSE END)	



E-2604

EXHAUST PIPES & FLEX HOSES
 (0920204)(4025709)(4026118)(4026119)(4029802)
 (4403571) (4472489) (4472524) (4472534)

ITEM	PART NUMBER	QTY	DESCRIPTION	PACKAGE NO
1	0920204	1	REDUCER, 4 TO 3 NPT (0920204)	
2	4025924	1	ELBOW, DIFFUSER (3 IN NPT) (4026118)	
3	4431080	1	HOSE, FLEX 18 IN-3 IN NPT(4403571)	
4	4026113	1	HOSE, FLEX 20 IN (4026119)	
	3019330	1	4 IN SLEEVE & 4 IN NPT YOKE & CLAMP AY	
5	4253704	1	PIPE, 36 IN-2 1/2 IN NPT (4025709)	
	4254684	1	CAP, RAIN	
6	4029630	1	STACK, EXHAUST (4 IN SLEEVE)(4029802)	
	3019330	1	YOKE & CLAMP AY	
7	4472488	1	SILENCER, EXH-BMCE #4 IND. (4472524)	
7	4027258	1	SILENCER, EXH-BEO #4 HOSP. (4472534)	
7	4017569	1	SILENCER, EXH-BMA #4 RES. (4472489)	
	4254076	2	FLANGE, 4 IN I.P.S.	
	4665241	2	GASKET	
	0920356	16	CAPSCREW, 5/8 NC X 2 3/4	
	0917476	16	LOCKWASHER	
	0918241	16	NUT	

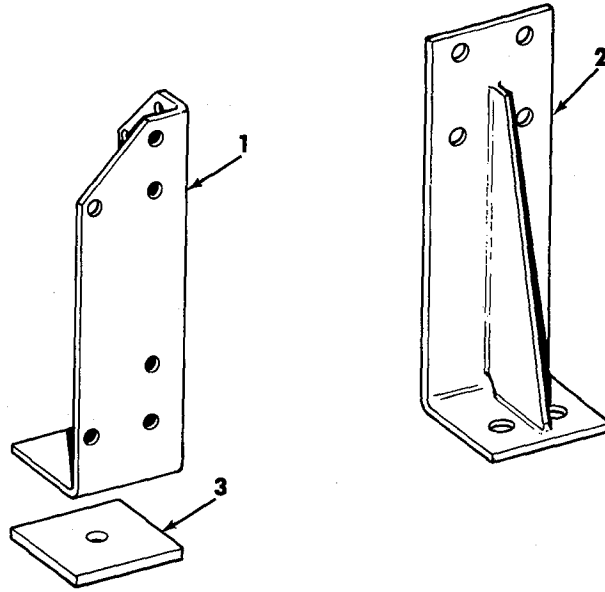


E-2639

MUFFLER, EXHAUST
(4035092) (4035093) (4472785)

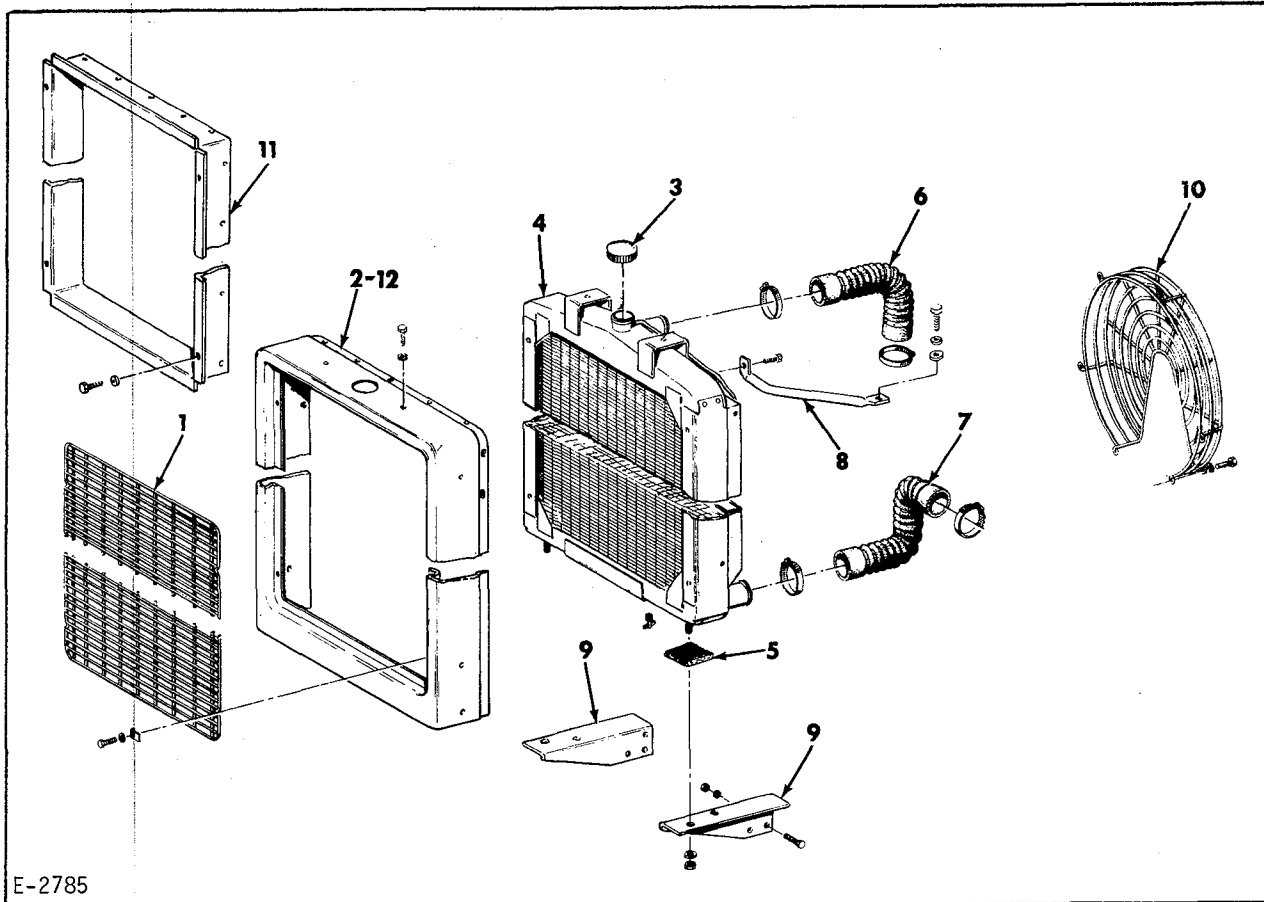
ITEM	PART NUMBER	QTY	DESCRIPTION	PACKAGE NO
1	0085088	1	CAP, RAIN	
2	4029998	2	ELBOW, 3 IN O.D. TUBE 90 DEG	
3	3040883	3	CLAMP AY	
4	3061668	1	MUFFLER	
5	3061477	1	CLAMP	
	0930472	2	CAPSCREW, 3/8 NC X 3/4	
6	4029997	1	REDUCER, 4 IN TO 3 IN	
7	4440677	1	CLAMP AY.	
8	4035004	1	SLEEVE, 4 IN O.D.	
9	4029999	1	BRACKET, SUPPORT (4035093)	
9	4472784	1	BRACKET, SUPPORT (4472785)	

E-2606



SUPPORTS, ENGINE
(4029801) (4472756)

ITEM	PART NUMBER	QTY	DESCRIPTION	PACKAGE NO
1	4029610	2	SUPPORT, FRONT	
	0916311	6	CAPSCREW, 1/2 NC X 1 1/4	
	0904208	6	LOCKWASHER	
	0910325	6	NUT	
2	4026949	2	SUPPORT, REAR	
	0916311	8	CAPSCREW, 1/2 NC X 1 1/4	
	0904208	8	LOCKWASHER	
BASIC DES 90				
1	4029610	2	SUPPORT, FRONT (4472756)	
	0916311	6	CAPSCREW, 1/2 NC X 1 1/4	
	0904208	6	LOCKWASHER	
	0910325	6	NUT	
3	4472620	2	SHIM, SUPPORT 3/4 THICK SHIPPED UNMTD, IS FACTORY REMOVED WHEN SUB-BASE IS FURNISHED	



E-2785

RADIATOR, SHELL AND GUARDS
 (4029800)(4029803)(4029806)(4029818)(4035077)
 (4472758) (4472759) (4472782 OMISSION)

ITEM	PART NUMBER	QTY	DESCRIPTION	PACKAGE NO
1	4029628	1	GUARD, CORE (4029806)	
	4389624	6	CLIP	
	0929945	6	CAPSCREW, 1/4 NC X 7/8	
	0911114	6	WASHER	
2	4029613	1	SHELL, RADIATOR (4029818)	
	0929944	8	CAPSCREW	
	0911114	8	WASHER	

NOTE- RADIATOR GROUP INCLUDES ITEMS 3 THRU 9

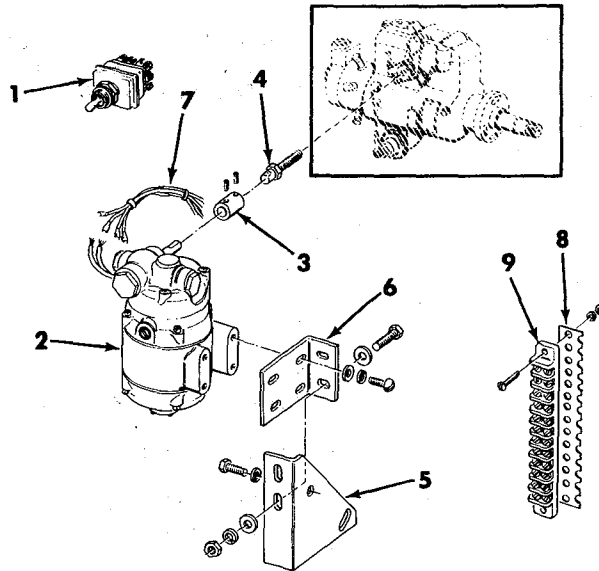
3	0254891	1	CAP, PRESSURE
4	4029601	1	RADIATOR (4035077)
4	4029602	1	RADIATOR (4029800)
	0912415	1	COCK, DRAIN
5	4407995	2	DAMPNER, WASHER
	0917379	2	WASHER
	0918309	2	NUT, LOCK
6	4256003	1	HOSE, UPPER
	0925758	2	CLAMP

RADIATOR, SHELL AND GUARDS (CONTINUED)
 (4029800)(4029803)(4029806)(4029818)(4035077)
 (4472758) (4472759) (4472782 OMISSION)

ITEM	PART NUMBER	QTY	DESCRIPTION	PACKAGE NO
7	4256002	1	HOSE, LOWER	
	0925758	2	CLAMP	
8	4029603	1	BRACE	
	0915809	1	CAPSCREW 5/16 NC X 3/4	
	0904205	1	LOCKWASHER	
	0910335	1	WASHER	
	0916272	1	CAPSCREW, 3/8 NC X 1 1/4	
9	4029605	1	SUPPORT, RIGHT HAND	
9	4029606	1	SUPPORT, LEFT HAND	
	0916311	6	CAPSCREW, 1/2 NC X 1 1/4	
	0904208	6	LOCKWASHER	
	0910325	6	NUT	
10	4029627	1	GUARD, FAN (4029803)	
	0915809	5	CAPSCREW, 5/16 NC X 3/4	
	0901165	5	WASHER	
	0904205	5	LOCKWASHER	
11	4472760	1	ADAPTOR, AIR DUCT. (4472759)	
	0929944	6	CAPSCREW, 1/4 NC X 1/2	
	0918264	6	WASHER	
12	4472754	1	SHELL RADIATOR (4472758)	
	0929944	8	CAPSCREW, 1/4 NC X 1/2	
	0918264	8	WASHER	
	0916069	2	CAPSCREW, 1/4 NC X 3/4	
	0918264	4	WASHER	
	0916964	2	LOCKWASHER	
	0916622	2	NUT	

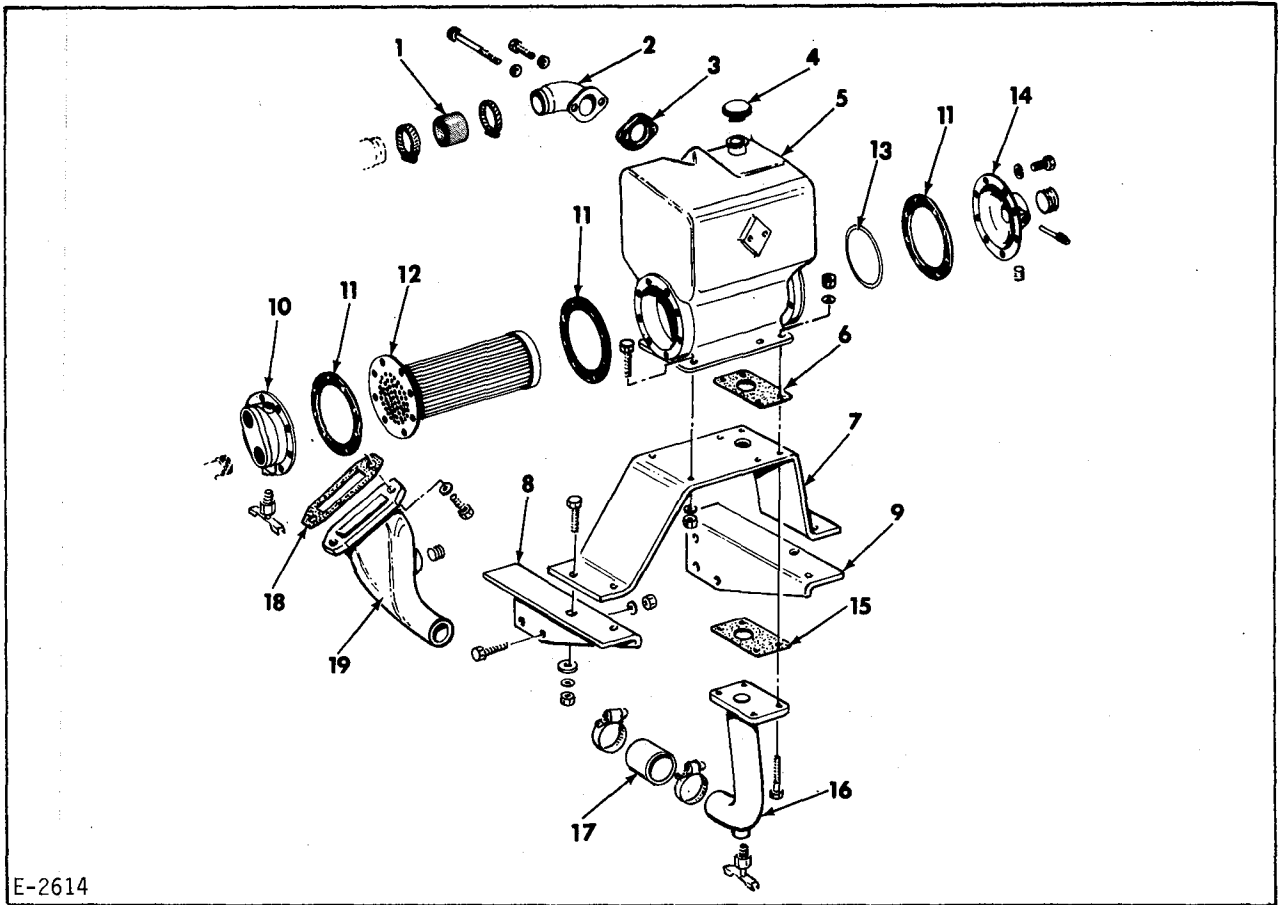
NOTE- OMISSION GROUP 4472782 PROVIDES FOR FACTORY REMOVAL OF ITEMS 3 THRU 10 AND THE BASIC FAN BLADE FROM THE DES90 UNIT, PRIOR TO SHIPMENT.

E-2592



REMOTE SPEED CONTROL MOTOR
(4472769) (4472793)

ITEM	PART NUMBER	QTY	DESCRIPTION	PACKAGE NO
1	4401745	1	SWITCH AY. (REMOTE CONTROL)* 4 P.D.T. MOMENTARY "ON" INCLUDES RESISTOR (47 OHM, 5 1/4 WATT)	
DOES NOT INCLUDE WIRE HARNESS				
2	4401741	1	MOTOR, SPEED CONTROL	
	0917452	4	SCREW, #10 NF X 1/2	
	0917365	4	LOCKWASHER	
	0923212	4	WASHER	
3	4472691	1	COUPLING	
	0917569	2	SETSCREW, #10 NC X 1/4	
4	4472673	1	SCREW, THROTTLE CONTROL USED IN PLACE OF SCREW EQUIPPED IN BASIC F.I. PUMP	
5	4472743	1	BRACKET, SPEED CONTROL	
	0916273	2	CAPSCREW, 3/8 NC X 1 3/4	
	0918266	1	WASHER	
	4034354	1	SPACER	
6	4472744	1	BRACKET, MTR MTG	
	0919319	2	CAPSCREW, 5/16 NC X 7/8	
	0918265	2	WASHER	
	0917356	2	LOCKWASHER	
	0917372	2	NUT	
NOTE- 1. ITEMS 7, 8 & 9 EQUIPMENT IS INCLUDED IN GROUP 4472769 ONLY.				
7	4472663	1	WIRE AY (MTR TO T.B.)	
8	4430989	1	STRIP, MARKER (13 TO 24)	
9	4430987	1	BLOCK, TERMINAL	
	0917439	2	SCREW, #6 NF X 1 1/4	
	0917459	2	LOCKWASHER	
	0917479	2	NUT	



E-2614

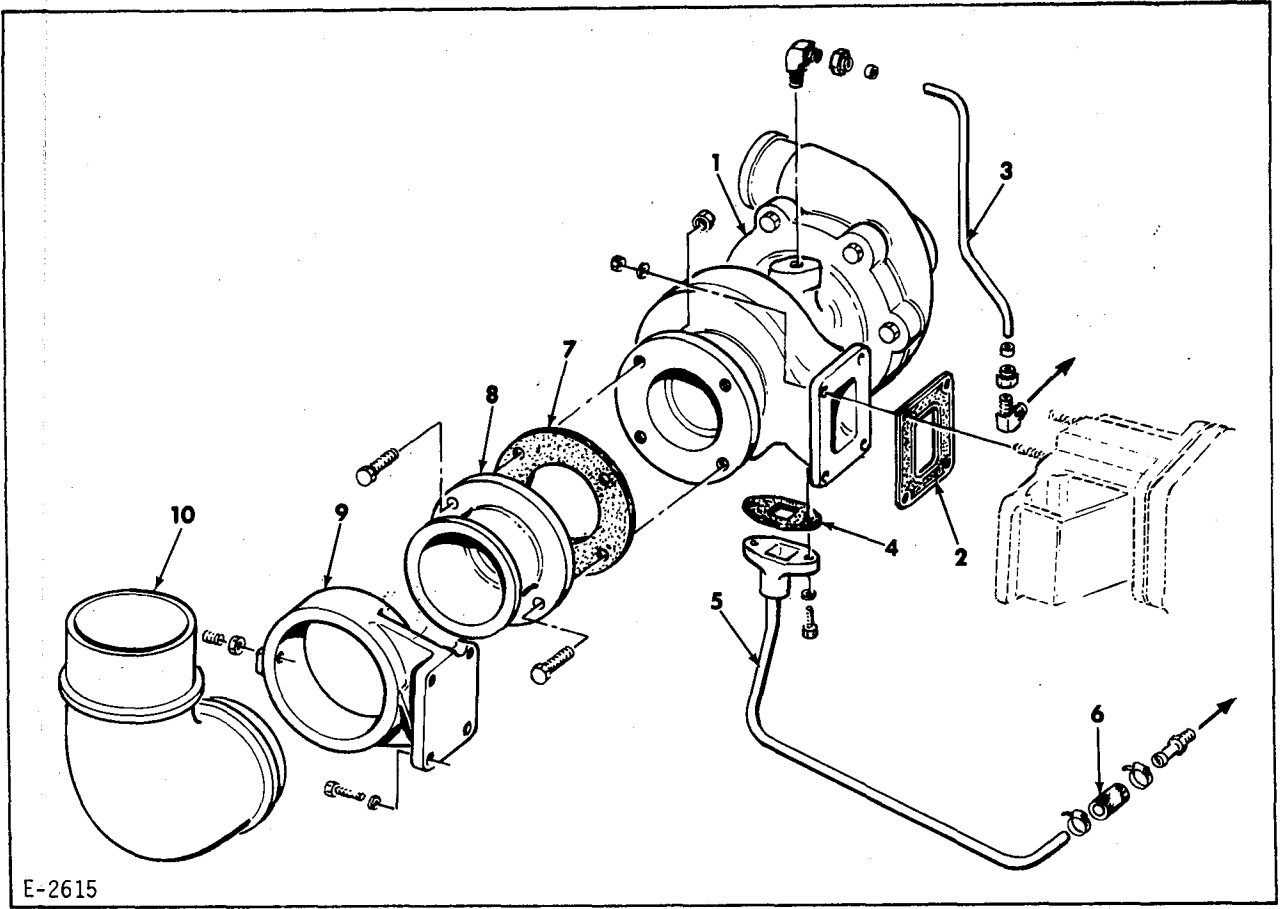
HEAT EXCHANGER & WATER INLET PIPE
(4035215)

ITEM	PART NUMBER	QTY	DESCRIPTION	PACKAGE NO
APPLICATION REQUIRES WATER COOLED EXHAUST MANIFOLD AND ENGINE SUPPORTS				
1	4014655	1	HOSE, INLET	
	0922199	2	CLAMP	
2	4028990	1	ELBOW, INLET	
	0916868	1	CAPSCREW, 7/16 NC X 3 3/4	
	0916197	1	CAPSCREW, 7/16 NC X 1 1/4	
	0904207	2	LOCKWASHER	
3	4368993	1	GASKET	
4	4254804	1	CAP, 7 P.S.I.	
5	4359992	1	TANK, EXPANSION	
	0916272	2	CAPSCREW, 3/8 NC X 1 1/4	
	0910287	2	LOCKWASHER	
	0910324	2	NUT	
6	4029034	2	GASKET	
7	4028989	1	BRACKET, MOUNTING	
	0919230	4	CAPSCREW, 1/2 NC X 1 3/8	
	0904208	4	LOCKWASHER	
	0914907	2	WASHER	
	0910325	4	NUT	
8	4026968	1	SUPPORT, R.H.	

CONTINUED

HEAT EXCHANGER & WATER INLET PIPE (CONTINUED)
(4035215)

ITEM	PART NUMBER	QTY	DESCRIPTION	PACKAGE NO
	0916311	3	CAPSCREW, 1/2 NC X 1 1/4	
	0904208	3	LOCKWASHER	
	0910325	3	NUT	
9	4026962	1	SUPPORT, L.H.	
	0916311	3	CAPSCREW, 1/2 NC X 1 1/4	
	0904208	3	LOCKWASHER	
	0910325	3	NUT	
10	4338869	1	BONNET, INLET & OUTLET	
	0912415	1	COCK, DRAIN 1/4 IN.	
	0914847	8	CAPSCREW, 3/8 NC X 1 1/2	
	0910287	8	LOCKWASHER	
11	4337235	3	GASKET	
12	4337233	1	BUNDLE, TUBE	
13	0923856	1	O-RING	
14	4338300	1	BONNET, END	
	4045150	1	PENCIL, ZINC	
	0901667	1	PLUG, PIPE 1 1/4	
	0919134	1	PLUG, PIPE 1/8	
	0916272	8	CAPSCREW, 3/8 NC X 1 1/4	
	0910287	8	LOCKWASHER	
15	4029034	1	GASKET	
16	4029946	1	ELBOW, OUTLET	
	0916273	4	CAPSCREW, 3/8 NC X 1 3/4	
	0910287	4	LOCKWASHER	
	0910324	4	NUT	
	0912415	1	COCK, DRAIN 1/4 IN.	
17	4015373	1	HOSE, OUTLET	
	0925758	2	CLAMP	
18	4029327	1	GASKET	
19	4029331	1	PIPE, WATER INLET*	
			* USED IN LIEU OF 4029772	
	0916255	2	CAPSCREW, 7/16 NC X 1 3/4	
	0904207	2	LOCKWASHER	
	0920416	1	PLUG, PIPE 1/2 HX. HD.	



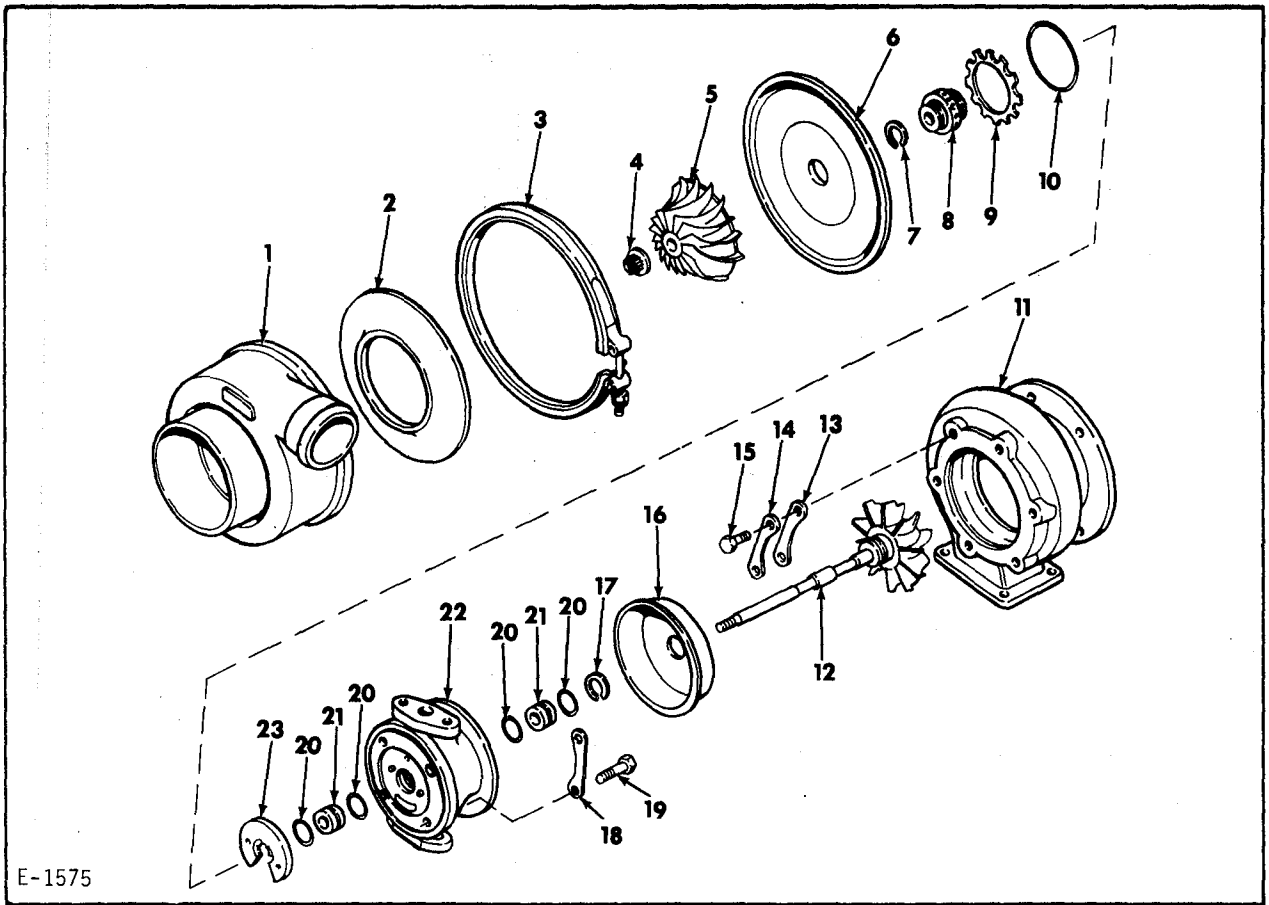
E-2615

**TURBOCHARGER AND EXHAUST OUTLET
(WATER COOLED EXHAUST MANIFOLD)
(4035213) (4035295)**

ITEM	PART NUMBER	QTY	DESCRIPTION	PACKAGE NO
1	4029313	1	TURBOCHARGER, KIT (4035213) SERVICES 4029308)	
1	4029314	1	TURBOCHARGER KIT (4035295) SERVICES #4029310	
	0913544	4	WASHER	
	4255977	4	NUT	
2	4025781	1	GASKET	
3	4029948	1	TUBE AY. OIL FEED (INCL SL & NUTS)	
	4255983	1	SLEEVE, TURBOCHARGER END	
	0917807	1	SLEEVE, GALLERY END	
	0917810	2	NUT	
	0920280	1	ELBOW, 90 DEG.(AT TURBOCHARGER)	
	0920790	1	ELBOW, 90 DEG (AT OIL GALLERY)	
4	4339532	1	GASKET	
5	4029950	1	TUBE, FLANGED, OIL DRAIN	
	0919224	2	CAPSCREW, 3/8 NC X 1 1/8	
	0910287	2	LOCKWASHER	
6	4027719	1	HOSE, DRAIN	
	0922660	2	CLAMP	
	0926912	1	FITTING, HOSE CONN.	
7	4338943	1	GASKET, DIFFUSER.....4029572	

TURBOCHARGER AND EXHAUST OUTLET (CONTINUED)
(WATER COOLED EXHAUST MANIFOLD)
(4035213) (4035295)

ITEM	PART NUMBER	QTY	DESCRIPTION	PACKAGE NO
8	4025922	1	DIFFUSER, EXHAUST	
	0919224	1	CAPSCREW, DIFFUSER, 3/8 NC X 1 1/8	
	0916272	3	CAPSCREW, DIFFUSER, 3/8 NC X 1-1/4	
	0239400	4	NUT, LOCK	
9	4028953	1	RING, DIFFUSER	
	0918683	4	CAPSCREW, 1/2 NC X 1-1/8	
	0904208	4	LOCKWASHER	
	0920469	1	SETSCREW, 3/8 NC X 3/4	
	0912772	1	NUT, JAM	
10	4025925	1	ELBOW, EXH. OUTLET	



E-1575

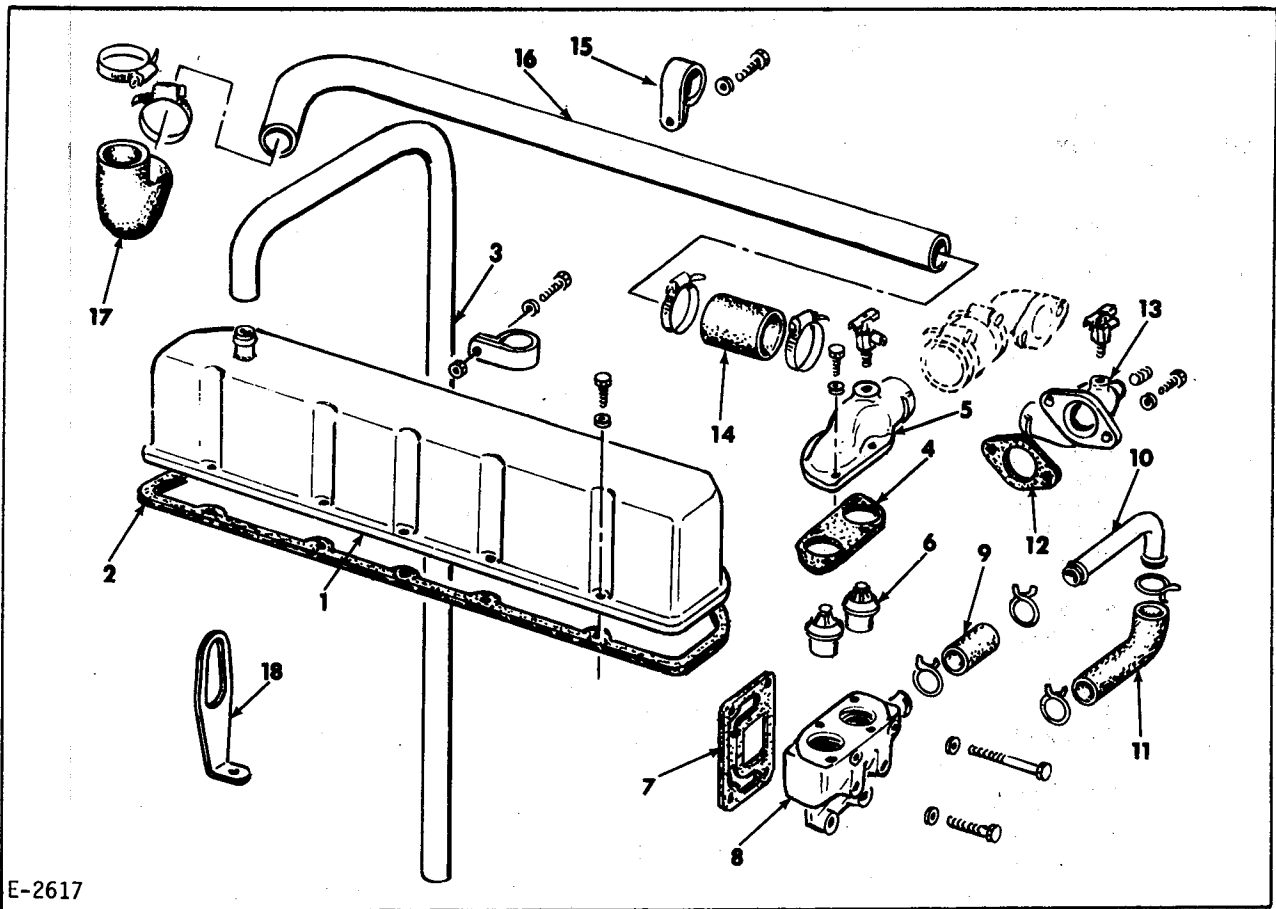
TURBOCHARGER ASSEMBLY
 (4029308) (4029310) (4035213) (4035295)

ITEM	PART NUMBER	QTY	DESCRIPTION	PACKAGE NO
-	4029313	1	TURBOCHARGER KIT (4029308 W/INSTR.)	
-	4029314	1	TURBOCHARGER KIT (4029310 W/INSTR.)	
1	4060009	1	HOUSING, COMPRESSOR	
2	4060683	1	DIFFUSER (4029310)	
2	4060684	1	DIFFUSER (4029308)	
3	4059995	1	COUPLING, V-BAND AY.	
4	4059993	1	NUT, WHEEL LOCK	
5	4060006	1	WHEEL, COMPRESSOR	
5	4060005	1	WHEEL, COMPRESSOR	
6	4060941	1	BACKPLATE (INCL ITEM 9)	
7	4059984	1	RING, SEALING	
8	4059988	1	COLLAR, THRUST	
9	4059987	1	SPRING, THRUST	
10	4056300	1	RING, SEALING	
11	4060685	1	HOUSING, TURBINE (4029308)	

TURBOCHARGER ASSEMBLY (CONTINUED)
 (4029308) (4029310) (4035213) (4035295)

ITEM	PART NUMBER	QTY	DESCRIPTION	PACKAGE NO
11	4060701	1	HOUSING, TURBINE (4029310)	
12	4060010	1	SHAFT AND WHEEL AY.	
13	4059990	1	CLAMP, TURBINE HSG.	
14	4059991	3	LOCKPLATE, TURBINE HSG.	
15	4059998	6	BOLT, 5/16 NC X 1/2	
16	4059997	1	SHROUD	
17	4060936	1	RING, SEALING	
18	4059992	2	LOCKPLATE, CTR. HSG.	
19	0928202	4	BOLT	
20	4060726	4	RING, RETAINER	
21	4060935	2	BEARING	
22	4060940	1	HOUSING KIT, CENTER (INCL PINS) AND ITEM 17	
	4053422	2	PIN, DOWEL	
23	4060939	1	BEARING, THRUST	

NOTE- REFER TO TM-5057 SERVICE MANUAL, PRIOR TO REMOVAL OF UNIT.



E-2617

**BYPASS THERMOSTAT AND WATER OUTLETS
(WATER COOLED EXHAUST MANIFOLD)
(4035213) (4035292) (4035295)**

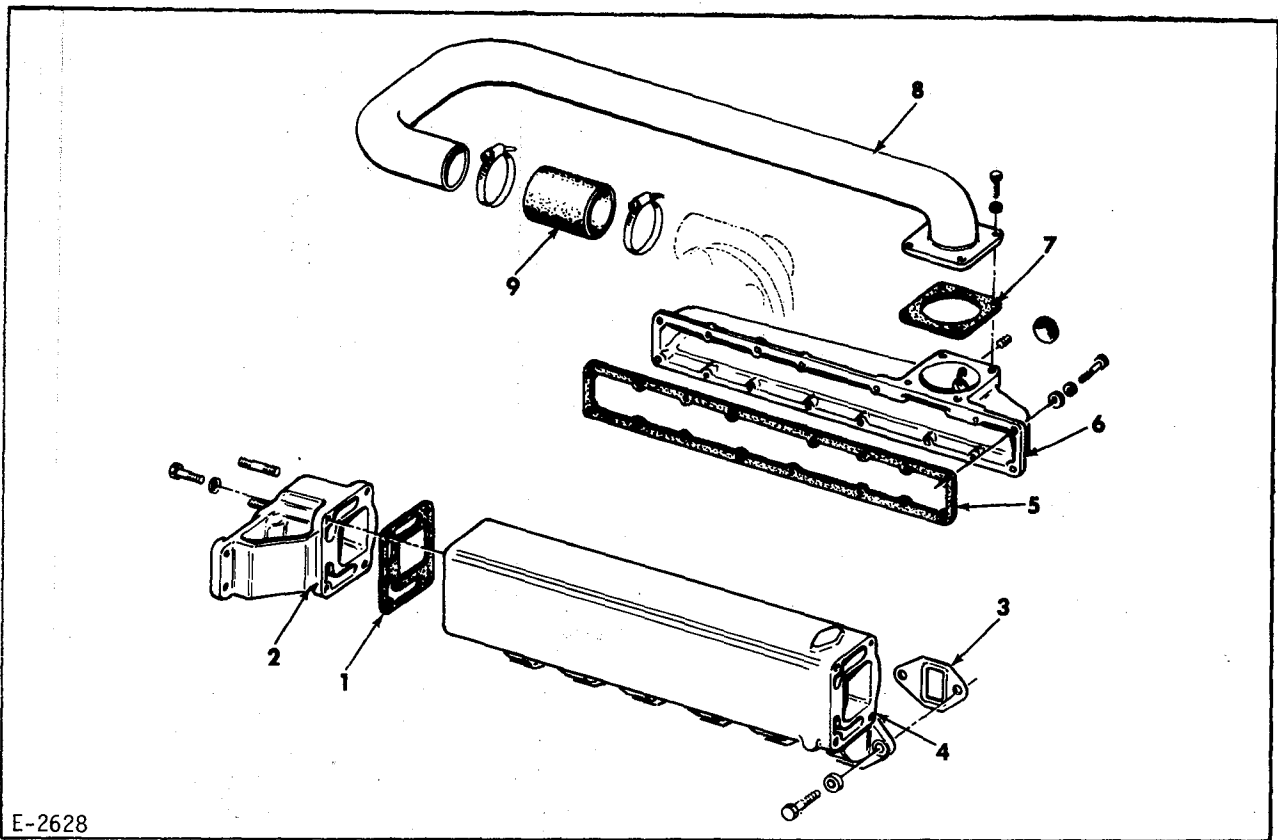
ITEM	PART NUMBER	QTY	DESCRIPTION	PACKAGE NO
1	4029766	1	COVER, CYL HEAD (4035213) (4035292)	
	4153776	10	CAPSCREW	
	4025491	10	WASHER	
2	4025472	1	GASKET, COVER (4035213) (4035292)	
3	4029767	1	HOSE, BREATHER (4035213) (4035292)	
	4255739	1	CLAMP	
	0915408	1	CAPSCREW, 3/8 NC X 3/4	
	0910287	1	LOCKWASHER	
	0910324	1	NUT	
4	4035089	1	GASKET, THERMOSTAT OUTLET	
5	4029945	1	ELBOW, THERMOSTAT OUTLET	
	0919224	4	CAPSCREW, 3/8 NC X 1 1/8	
	0910287	4	LOCKWASHER	
	0915514	1	COCK, EL (AIR BLEED)	
6	4025103	2	THERMOSTAT	
7	4028966	1	GASKET, HOUSING	
8	4029944	1	HOUSING, THERMOSTAT	
	0914883	2	CAPSCREW, 7/16 NC X 4 1/2	
	0916257	2	CAPSCREW, 7/16 NC X 2 1/2	
	0904207	4	LOCKWASHER	

CONTINUED

31

BYPASS THERMOSTAT AND WATER OUTLETS (CONTINUED)
(WATER COOLED EXHAUST MANIFOLD)
(4035213) (4035292) (4035295)

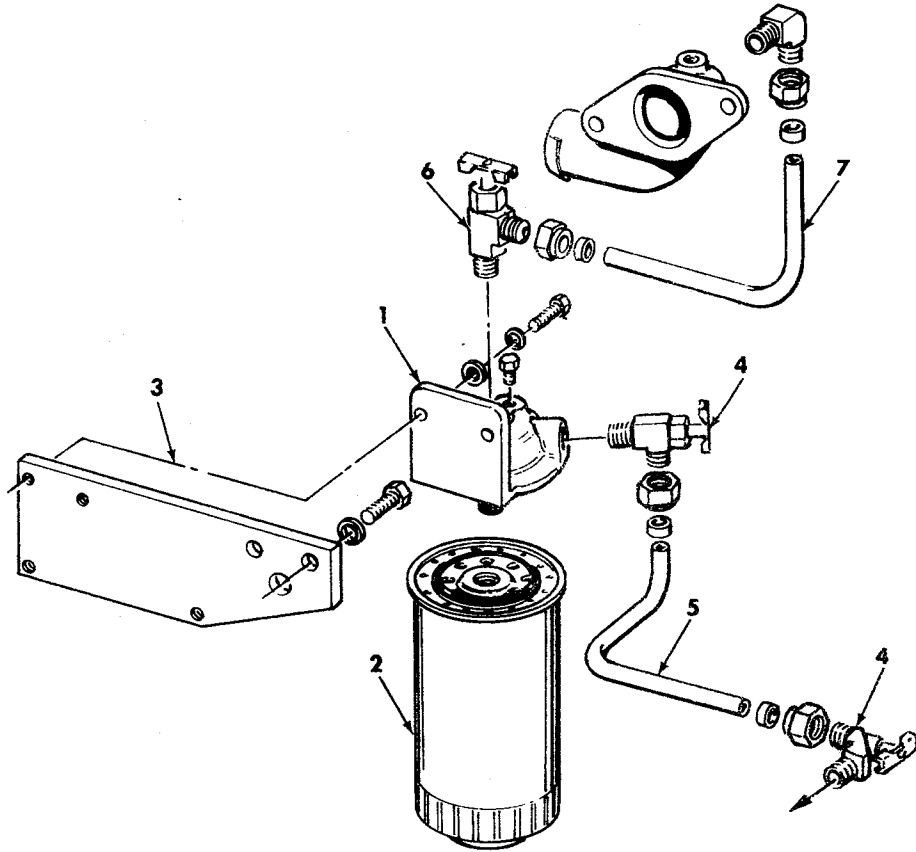
ITEM	PART NUMBER	QTY	DESCRIPTION	PACKAGE NO
9	4351345	1	HOSE, BYPASS	
	4255093	2	CLAMP	
10	4029947	1	TUBE, BY-PASS	
11	4352409	1	HOSE, BYPASS EL	
	4255093	2	CLAMP	
12	4025101	1	GASKET	
13	4028971	1	ELBOW, CYL. HD. WTR. OUTLET	
	0920416	1	PLUG, PIPE 1/2 NPT	
	0915514	1	COCK, EL (AIR BLEED)	
	0916197	2	CAPSCREW, 7/16 NC X 1 1/4	
	0904207	2	LOCKWASHER	
14	4315862	1	HOSE, WATER OUTLET	
	0921913	2	CLAMP	
15	4028977	1	CLAMP, TUBE SECURING	
	0915408	1	CAPSCREW, 3/8 NC X 3/4	
	0910287	1	LOCKWASHER	
16	4028970	1	TUBE, CYL. HD. WTR. OUTLET	
17	4028969	1	HOSE, EL	
	0921913	2	CLAMP	
18	4029154	2	EYE, LIFTING (4035295) USED IN LIEU OF 4025177 FOR AIR CORSSOVER PIPE CLEARANCE	



E-2628

INTAKE & WATER COOLED EXHAUST MANIFOLD
(4035213) (4035295)

ITEM	PART NUMBER	QTY	DESCRIPTION	PACKAGE NO
1	4028966	1	GASKET	
2	4028967	1	ADAPTOR, TURBOCHARGER MTG.	
	4513701	4	STUDS	
	0916191	4	CAPSCREW, 7/16 NC X 1 1/2	
	0904207	4	LOCKWASHER	
3	4027014	6	GASKET, EXH. MANIFOLD	
4	4028965	1	MANIFOLD, EXH. WTR. COOLED	
	4371107	12	WASHER	
	4027042	12	CAPSCREW	
5	4026579	1	GASKET, INTAKE MANIFOLD	
6	4027504	1	MANIFOLD, INTAKE	
	0919134	1	PLUG, PIPE 1/8 NPT	
	4020880	1	PLUG, EXP. (AIR HTR OPENING)	
	0919224	14	CAPSCREW	
	0913544	14	WASHER	
	0910287	14	LOCKWASHER	
7	4025376	1	GASKET	
7	4028981	1	TUBE, AIR CROSSOVER (4035295)	
8	4028984	1	TUBE, AIR CROSSOVER (4035213)	
	0916269	4	CAPSCREW, 3/8 NC X 7/8	
	0910287	4	LOCKWASHER	
9	4027975	1	HOSE	
	0927140	2	CLAMP	



E-2629

**WATER FILTER, CORROSION INHIBITOR
(4035213) (4035295)
AS USED WITH WATER COOLED EXHAUST**

ITEM	PART NUMBER	QTY	DESCRIPTION	PACKAGE NO
1	4393427	1	BASE AY, WATER FILTER	
	0916254	2	CAPSCREW, 7/16 NC X 1	
	0912298	2	WASHER	
	0904207	2	LOCKWASHER	
	0919134	1	PLUG, PIPE 1/8	
2	4029089	1	FILTER, WATER (ORIGINAL EQUIPMENT) ALL PURPOSE EXCEPT "DOWTHERM" 209	
2	4029120	*	FILTER, (CHROMATIC TYPE) FOR USE WITH "DOWTHERM" 209 ANTI-FREEZE	
3	4029132	1	PLATE, MOUNTING	
	0916311	2	CAPSCREW, 1/2 NC X 1 1/4	
	0904208	2	LOCKWASHER	
4	0928947	2	VALVE AY., SHUT-OFF	
5	4029952	1	TUBE, INLET	
	0917807	2	SLEEVE	
	0917810	2	NUT	
6	4029694	1	VALVE AY. SHUT-OFF	
7	4029953	1	TUBE, OUTLET	
	0917807	2	SLEEVE	
	0917810	2	NUT	
	0928915	1	ELBOW, IMP. 3/8 TUBE, 1/2 NPT	

NUMERICAL INDEX

PART NO	PAGE NO	PART NO	PAGE NO	PART NO	PAGE NO	PART NO	PAGE NO	PART NO	PAGE NO
0063891	18	0910287	26	0916269	3	0917476	19	0921884	14
0084897	17	0910287	26	0916269	6	0917479	24	0921913	32
0084899	17	0910287	27	0916269	33	0917569	24	0921913	32
0085088	20	0910287	31	0916271	14	0917807	14	0922199	25
0239400	28	0910287	31	0916272	2	0917807	18	0922234	17
0239517	1	0910287	32	0916272	2	0917807	18	0922660	27
0239517	5	0910287	33	0916272	3	0917807	27	0923167	14
0240441	1	0910287	33	0916272	4	0917807	34	0923212	24
0240441	5	0910323	5	0916272	4	0917807	34	0923576	10
0240962	8	0910323	17	0916272	6	0917810	14	0923639	11
0254891	22	0910324	14	0916272	9	0917810	18	0923639	11
0622447	5	0910324	25	0916272	23	0917810	18	0923662	17
0634446	3	0910324	26	0916272	25	0917810	27	0923856	26
0638415	1	0910324	31	0916272	26	0917810	34	0925262	1
0638415	5	0910325	21	0916272	28	0917810	34	0925262	3
0638416	1	0910325	21	0916273	24	0918241	19	0925262	3
0638416	5	0910325	23	0916273	26	0918264	23	0925262	5
0650944	7	0910325	25	0916284	13	0918264	23	0925758	22
0901165	23	0910325	26	0916311	13	0918264	23	0925758	23
0901667	26	0910325	26	0916311	13	0918265	24	0925758	26
0904203	14	0910335	23	0916311	21	0918266	14	0926912	27
0904204	13	0911049	18	0916311	21	0918266	24	0927055	14
0904205	5	0911114	22	0916311	21	0918309	22	0927140	33
0904205	6	0911114	22	0916311	23	0918683	28	0928084	18
0904205	17	0912298	34	0916311	26	0918851	13	0928090	18
0904205	23	0912415	17	0916311	26	0918851	13	0928096	18
0904205	23	0912415	22	0916311	34	0919062	18	0928122	18
0904207	25	0912415	26	0916431	1	0919072	18	0928202	30
0904207	26	0912415	26	0916622	9	0919134	26	0928915	34
0904207	31	0912772	28	0916622	9	0919134	33	0928947	34
0904207	32	0913544	27	0916622	23	0919134	34	0929293	3
0904207	33	0913544	33	0916868	25	0919224	27	0929944	22
0904207	34	0914081	14	0916950	2	0919224	28	0929944	23
0904208	13	0914392	5	0916950	3	0919224	31	0929944	23
0904208	13	0914847	26	0916950	4	0919224	33	0929945	22
0904208	21	0914876	8	0916956	9	0919225	9	0930472	20
0904208	21	0914876	8	0916964	9	0919230	25	3019330	19
0904208	21	0914883	31	0916964	9	0919319	24	3019330	19
0904208	23	0914907	25	0916964	23	0919840	13	3024555	1
0904208	25	0915408	31	0916965	2	0919840	13	3024555	5
0904208	26	0915408	32	0916965	3	0919926	9	3040883	20
0904208	26	0915514	31	0916965	3	0919926	9	3046858	1
0904208	28	0915514	32	0916965	4	0920204	19	3046858	5
0904208	34	0915809	6	0917032	18	0920280	18	3061477	20
0904209	8	0915809	17	0917356	1	0920280	27	3061668	20
0904209	8	0915809	23	0917356	24	0920356	19	4014655	25
0910287	2	0915809	23	0917365	24	0920416	26	4015373	26
0910287	6	0916069	23	0917372	1	0920416	32	4017569	19
0910287	6	0916191	33	0917372	24	0920469	28	4020814	10
0910287	11	0916197	25	0917379	22	0920790	18	4020879	13
0910287	11	0916197	32	0917415	14	0920790	27	4020880	33
0910287	14	0916254	34	0917439	24	0921884	14	4021401	1
0910287	25	0916255	26	0917452	24	0921884	14	4021401	3
0910287	26	0916257	31	0917459	24	0921884	14	4021401	5

(CONTINUED)

NUMERICAL INDEX
(CONTINUED)

PART NO	PAGE NO	PART NO	PAGE NO	PART NO	PAGE NO	PART NO	PAGE NO	PART NO	PAGE NO
4021402	1	4027690	10	4029605	23	4060005	29	4352409	32
4021402	5	4027719	27	4029606	23	4060006	29	4354481	8
4021443	1	4027723	7	4029610	21	4060009	29	4359319	3
4021443	5	4027975	33	4029610	21	4060010	30	4359805	12
4021600	1	4028805	10	4029611	11	4060683	29	4359805	12
4021600	3	4028807	10	4029612	11	4060684	29	4359805	12
4021600	5	4028808	10	4029613	22	4060685	29	4359805	12
4023720	14	4028809	10	4029625	3	4060701	30	4359807	12
4024215	14	4028810	10	4029626	4	4060726	30	4359992	25
4024223	14	4028906	7	4029627	23	4060935	30	4368993	25
4024229	14	4028936	16	4029628	22	4060936	30	4371107	33
4024232	14	4028937	16	4029630	19	4060939	30	4387529	8
4024237	14	4028939	16	4029634	3	4060940	30	4389624	22
4024429	3	4028940	16	4029635	3	4060941	29	4389858	10
4024430	3	4028953	28	4029694	34	4060966	17	4389859	10
4024722	9	4028965	33	4029766	31	4060967	17	4393427	34
4024725	9	4028966	31	4029767	31	4060968	17	4401741	24
4024785	10	4028966	33	4029790	18	4060969	17	4401745	24
4024792	9	4028967	33	4029794	18	4060970	17	4407995	22
4025097	13	4028969	32	4029891	4	4060971	17	4430987	24
4025101	32	4028970	32	4029903	3	4060975	18	4430989	24
4025103	31	4028971	32	4029944	31	4060976	18	4431080	19
4025376	33	4028977	32	4029945	31	4060977	18	4440677	20
4025470	8	4028981	33	4029946	26	4060978	18	4472488	19
4025472	31	4028984	33	4029947	32	4060979	18	4472620	21
4025491	31	4028985	5	4029948	27	4060980	17	4472663	24
4025641	11	4028986	6	4029950	27	4153776	31	4472673	24
4025641	11	4028987	6	4029952	34	4253704	19	4472691	24
4025735	12	4028989	25	4029953	34	4254076	19	4472743	24
4025773	13	4028990	25	4029997	20	4254684	19	4472744	24
4025781	27	4029034	25	4029998	20	4254804	25	4472754	23
4025922	28	4029034	26	4029999	20	4255093	32	4472760	23
4025924	19	4029089	34	4034354	24	4255093	32	4472784	20
4025925	28	4029120	34	4035004	20	4255739	31	4513701	33
4026056	12	4029132	34	4035089	31	4255932	10	4664292	9
4026113	19	4029154	32	4035206	15	4255977	27	4665241	19
4026315	12	4029313	27	4035208	15	4255983	27		
4026317	12	4029313	29	4035211	15	4256002	23		
4026319	12	4029314	27	4039008	4	4256003	22		
4026344	13	4029314	29	4045150	26	4303694	12		
4026579	33	4029327	26	4053422	30	4303694	12		
4026861	2	4029331	26	4056300	29	4303694	12		
4026861	4	4029441	17	4059256	1	4315862	32		
4026863	2	4029468	14	4059256	5	4320800	3		
4026949	21	4029475	9	4059984	29	4337233	26		
4026962	26	4029476	9	4059987	29	4337235	26		
4026968	25	4029499	9	4059988	29	4338300	26		
4027014	33	4029502	13	4059990	30	4338869	26		
4027042	33	4029514	9	4059991	30	4338943	27		
4027258	19	4029556	12	4059992	30	4339532	27		
4027482	1	4029588	14	4059993	29	4348253	13		
4027504	33	4029601	22	4059995	29	4350235	12		
4027561	10	4029602	22	4059997	30	4350235	12		
4027579	8	4029603	23	4059998	30	4351345	32		

The information contained herein is general in nature and is not intended for specific application purposes. Allis-Chalmers reserves the right to make changes in specifications shown herein, add improvements, or discontinue manufacture at any time without notice or obligation.

