

Parts

Manual

MODEL

3500 MARK II



ALLIS-CHALMERS

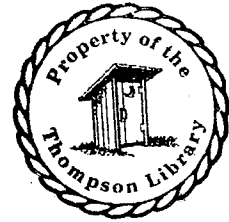
ENGINE DIVISION

HARVEY, ILLINOIS 60426, USA

Printed in USA

Form: TPL-4108

973 0014 (8-74)



IN ORDER TO ASSURE PROMPT AND ACCURATE
ATTENTION TO YOUR PARTS ORDER, BE SURE
TO SUPPLY THE NUMBER 7 IN FRONT OF THE
SEVEN DIGIT PART NUMBER WHEN ORDERING.

EXAMPLES:

NUMBER LISTED IN MANUAL	ORDER NUMBER
0910287	70910287
4393527	74393527

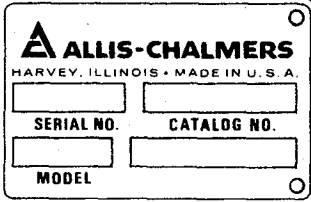
FOREWORD

This Parts Manual contains parts information on the unit or units specified on the cover.

The Basic Engine Index is provided as a means of identifying and locating parts pertaining to the basic engine only.

The Optional Equipment Index is provided as a means of identifying parts and accessories installed on the unit at the factory. Some optional equipment may be substituted for basic engine equipment or added to the basic engine.

The Engine Serial Number and Optional Equipment Catalog Number applying to each engine are stamped on the Engine and Optional Equipment Plate located on the left-hand side of the engine. See following illustration.

CATALOG NO.	OPT. EQUIP.	CATALOG NO.	OPT. EQUIP.	CATALOG NO.	OPT. EQUIP.	 <p>ALLIS-CHALMERS HARVEY, ILLINOIS • MADE IN U. S. A.</p> <p>SERIAL NO. CATALOG NO.</p> <p>MODEL</p>

E-2398

Optional equipment parts are found by identifying the Optional Equipment Catalog Number in the nomenclature heading and/or immediately following the description of a part.

Reference Numbers (Ref.) above the text title block are to be disregarded unless the numbers are stamped on the Engine and Optional Equipment Plate or some other data refers the user to the reference number.

Attaching parts, such as capscrews, nuts, etc., are indented immediately following the parts which they attached or are attached to.

The terms "right" and "left" used in the parts list are determined by standing at flywheel end of engine and facing the flywheel.

Always give Engine Serial Number when ordering parts. To obtain shipment promptly give part number and part nomenclature. Order parts from the dealer covering the local territory.

Always indicate complete address where parts are to be shipped and specify by what means material is to be shipped. Confirm all telephone or telegraph orders in writing.

Claims for shortages or errors in shipment must be made immediately upon receipt of shipment. Claims for damages in shipment must be filed with the transportation company. No responsibility is assumed for delay or damage to merchandise while in transit.

At the time this parts catalog was published the listed part numbers were current. It is our policy to constantly improve our products and therefore, part numbers and design may change. When ordering parts, verify part numbers through your dealer's parts catalog.



INDEX
 MODEL 3500 MK II
 GENERATOR DRIVE

DESCRIPTION	PAGE NO.
BASIC ENGINE (Model 3500 MK II) (4028884).....	X
Alternator.....	63
Ammeter.....	64
By-pass Lube Oil Filter.....	-
Camshaft.....	19
Crankshaft.....	5
Crankshaft Pulley, Vibration Damper.....	6
Cylinder Block.....	1
Cylinder Head, Figure 2	16
Diffuser, Exhaust.....	36
Exhaust Manifold.....	26
Flywheel.....	12
Flywheel Housing.....	13
Front Housing and Cover.....	10
Fuel Filter, Single Element.....	49
Fuel Injection Pump, Distributor Type.....	56
Fuel Injection Tubes.....	57
Idler Gear.....	11
Intake Manifold.....	26
Lube Oil Filter.....	24
Nozzle-Holder Assembly (4028860)	59
Oil Cooler, Engine.....	24
Oil Filler Pipe.....	4
Oil Level Gauge.....	4
Oil Pan.....	23
Oil Pump.....	20
Piston & Connecting Rod.....	7
Rocker Arm, Shaft and Brackets.....	18
Thermostat and Housing.....	42
Turbocharger (Center Mounted).....	32
Water Inlet, Pipe.....	40
Water Outlet, Pipe.....	40
Water Pump.....	38
Water System Filter.....	44
Package Numbers.....	71

INDEX
 MODEL 3500 MK II
 INDUSTRIAL ENGINE

DESCRIPTION	PAGE NO.
BASIC ENGINE (Model 3500 MK II) (4028881).....	X
Air Heater.....	26
Alternator.....	61 & 63
Ammeter.....	64
By-pass Lube Oil Filter.....	-
Camshaft.....	19
Crankshaft.....	5
Crankshaft Pulley, Vibration Damper.....	6
Cylinder Block.....	1
Cylinder Head, Figure 2	16
Diffuser, Exhaust.....	36
Exhaust Manifold.....	26
Flywheel.....	12
Flywheel Housing.....	13
Front Housing and Cover.....	10
Fuel Filter, Single Element.....	48
Fuel Injection Pump, Multi-plunger type.....	51
Fuel Injection Tubes.....	54
Idler Gear.....	11
Intake Manifold.....	26
Lube Oil Filter.....	24
Nozzle-Holder Assembly (4029013)	59
Oil Cooler, Engine.....	24
Oil Filler Pipe.....	4
Oil Level Gauge.....	4
Oil Pan.....	23
Oil Pump.....	20
Piston and Connecting Rod.....	7
Rocker Arm, Shaft and Brackets.....	18
Thermostat and Housing.....	42 & 43
Turbocharger (Center Mounted).....	32
Water Inlet, Pipe.....	40 & 41
Water Outlet, Pipe.....	40 & 41
Water Pump.....	37 & 38
* Water System Filter.....	44
Package Numbers.....	71
* Water Separator, Fuel (4028844) after S/N 3D22274	46

INDEX
MODEL 3500 MK II
AUTOMOTIVE

DESCRIPTION	PAGE NO.
BASIC ENGINE (Model 3500 MK II) (4028883).....	X
Air Compressor w/Governor (7-1/4 cu.ft.) (4029347).....	69
Air Heater.....	26
Alternator.....	60
By-pass Lube Oil Filter (unmtd).....	65
Camshaft.....	19
Crankshaft.....	5
Crankshaft Pulley, Vibration Damper.....	6
Cylinder Block.....	1
Cylinder Head, Figure 1	14
Exhaust Manifold.....	29
Flywheel.....	12
Flywheel Housing.....	13
Front Housing and Cover.....	10
Fuel Filter, Single Element.....	48
Fuel Injection Pump (Multi-plunger).....	51
Fuel Injection Tubes.....	54
Idler Gear.....	11
Intake Manifold.....	26
Lube Oil Filter.....	24
Nozzle-Holder Assembly (4029013)	59
Oil Cooler, Engine.....	24
Oil Filler Pipe.....	4
Oil Level Gauge.....	4
Oil Pan.....	23
Oil Pump.....	20
Piston and Connecting Rod.....	7
Rocker Arm, Shaft and Brackets.....	18
Starter - 12 Volt (4027621).....	68
Thermostat and Housing.....	43
Trunnion, Front Support.....	9
Turbocharger (Front Mounted).....	30
Water Inlet.....	41
Water Outlet.....	41
Water Pump.....	37
Water System Filter.....	44
Package Numbers.....	71

INDEX
 MODEL 3400 MK II
 INDUSTRIAL ENGINE

DESCRIPTION	PAGE NO.
BASIC ENGINE (Model 3400 MK II) (4028880).....	X
Air Heater.....	26
Alternator.....	61
Ammeter.....	62
By-pass Lube Oil Filter.....	-
Camshaft.....	19
Crankshaft.....	5
Crankshaft Pulley, Vibration Damper.....	6
Cylinder Block.....	1
Cylinder Head, Figure 2	16
Diffuser, Exhaust.....	-
Exhaust Manifold.....	26
Flywheel.....	12
Flywheel Housing.....	13
Front Housing and Cover.....	10
Fuel Filter, Single Element.....	48
Fuel Injection Pump, Multi-plunger type.....	51
Fuel Injection Tubes.....	54
Idler Gear.....	11
Intake Manifold.....	26
Lube Oil Filter.....	24
Nozzle-Holder Assembly (4023568)	59
Oil Cooler, Engine.....	24
Oil Filler Pipe.....	4
Oil Level Gauge.....	4
Oil Pan.....	23
Oil Pump.....	20
Piston and Connecting Rod.....	7
Rocker Arm, Shaft and Brackets.....	18
Thermostat and Housing.....	43
Turbocharger (Center Mounted).....	-
Water Inlet, Pipe.....	41
Water Outlet, Pipe.....	41
Water Pump.....	37
Water System Filter.....	44
Package Numbers.....	71

OPTIONAL EQUIPMENT INDEX
(For Only Those Items Appearing in the Basic Section)

NOTE: Optional groups are selective subject to machinery price book control and are additions, omissions, and substitutions to basic equipment.

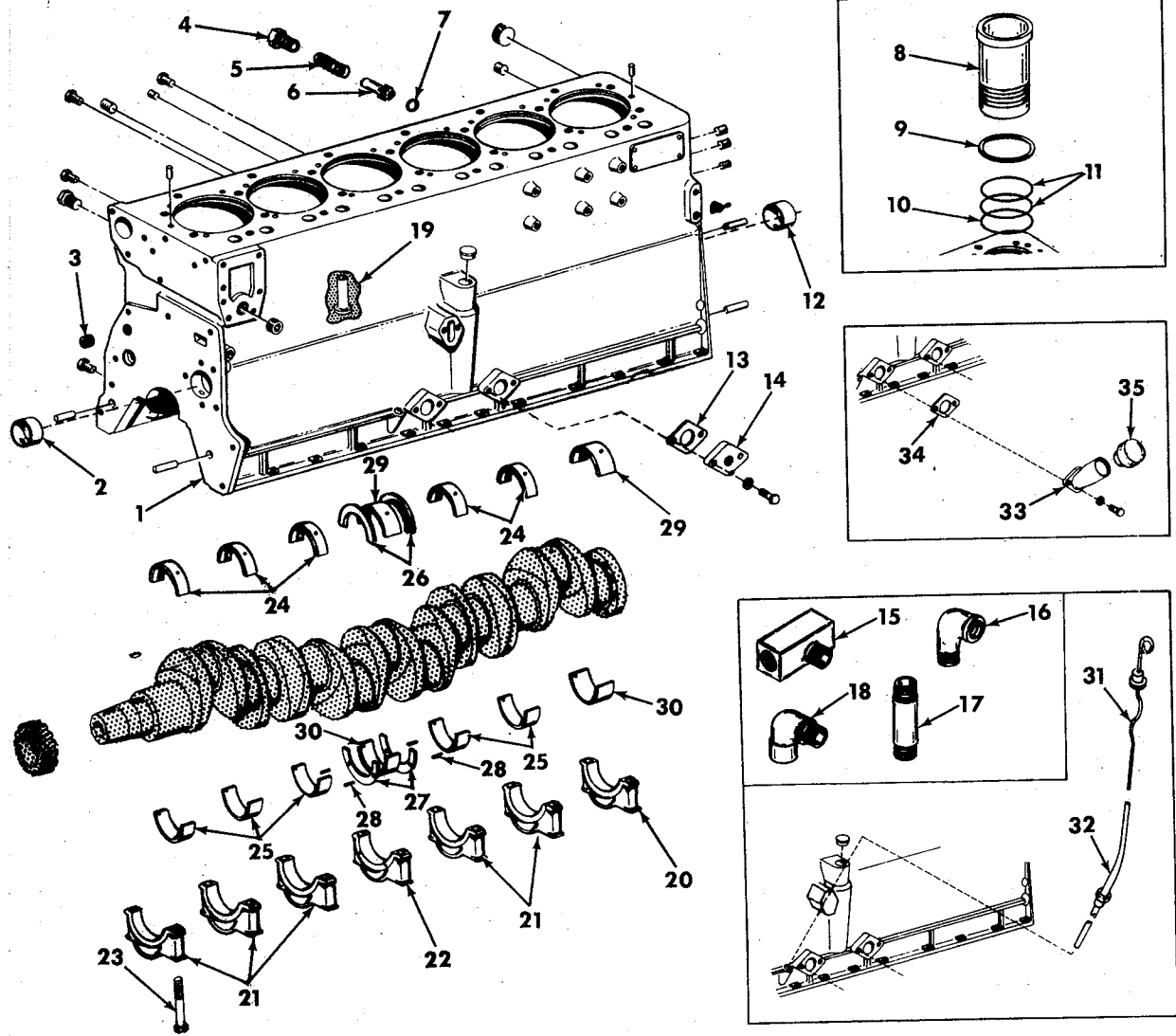
CATALOG NO.	DESCRIPTION	PAGE NO.
4024705	Ammeter	62-64
4024777	Ammeter Omission	62-64
4025862	Ammeter	62-64
4025936	Diffuser, Exhaust	36
4027621	Starter, 12 Volt	68
4027873	By-pass Lube Oil Filter	65
4027874	Elbow, Exhaust Diffuser	30
4028240	Starter	68
4028241	By-pass Lube Oil Filter Omission	65-67
4028508	Magnetic Drain Plug	23
4028570	Breather, Cyl. Hd. Cover	15
4028695	Trunion, Front Support	9
4028844	Water Separator, (Fuel)	46
4029068	Air Heater 24 Volt	26
4029069	Air Heater 24 Volt	26
4029347	Air Compressor (7 1/4cu. ft.)	69
4029350	Turbocharger	26, 29, 32, 70
4029351	Air Compressor (12 cu. ft.)	69
4029355	Alternator 12V. 40 amp	60
4029377	Water Separator (Fuel)	46
4029577	1:1 Ratio Water Pump Pulley	38
4029577	Belt Set, 1:1 Ratio Water Pump	63
4035086	Air Heater, Omission	26
4035097	Water Separator (Fuel)	46
4035164	1:1 Ratio Water Pump Pulley	38
4035164	Belt Set, (1:1 Ratio Water Pump)	63
4401726	Ammeter, Omission	63-64
4035305	Alternator, Regulator & Ammeter Omission	63-64

0

(

(

(



E-2169

CONTINUED

REF-4027468,4027663,4028878,4028914,4028915 (CONTINUED)
CYLINDER BLOCK

ITEM	PART NUMBER	QTY	DESCRIPTION	PACKAGE NO
1	4028834	1	BLOCK ASSY., CYLINDER (INCLUDES PLUGS AND ITEMS 2, 3, 7, 12, AND 20 THRU 23)	
	0917542	2	PIN, DOWEL, 7/16 X 3/4 (TOP DECK)	
	4255982	1	PLUG, 3/8 LEVEL SEAL (AIR-COMP PAD)	
	0918851	1	PLUG, PIPE 3/4 NPT	
	0919134	6	PLUG, PIPE, 1/8 NPT	
	0920525	3	PLUG, PIPE, 1/4 NPTF	
	0917536	2	PIN, DOWEL, 1/2 X 1-3/8 (FRONT)	
	0921023	2	PIN, DOWEL, 1/2 X 7/8 (REAR)	
	4027355	1	PLUG, DISTRIBUTOR FOLE	
	4255577	1	PLUG, PIPE, OIL GALLERY 3/4	
	4255109	1	PLUG, EXPANSION	
	0912415	3	PLUG, AUTOMCTIVE DRAIN 1/4 DRYSEAL	
1	0912415	1	COCK, DRAIN, 1/4 NPT (CRDR SEPERATELY)	
2	4025025	1	BEARING, CAMSHAFT, FRCNT (STD)	
2	4025259	1	BEARING, CAMSHAFT, FRCNT .010 UNDERSIZE	
3	4029063	1	PLUG, PIPE, RESTRICTOR	
4	4022129	1	SCREW, OIL PRES. REG. VALVE	
5	4500231	1	SPRING, OIL PRES. REG. VALVE	
6	4507374	1	PISTON, OIL PRES. REG. VALVE	
7	4507673	1	INSERT, OIL PRES. REG. VALVE	
8	4028879	6	SLEEVE, CYL(3 O-RING TYPE)4029284-9 4029423-3	
9	4025298	-	SHIM, CYLINDER SLEEVE (.005)*	
9	4025299	-	SHIM, CYLINEER SLEEVE (.010)*	
9	4025300	-	SHIM, CYLINDER SLEEVE (.015)*	
9	4025301	-	SHIM, CYLINDER SLEEVE (.020)*	
NOTE- *USE AS REQUIRED TO RESTORE SPECIFIED TOP DECK CLEARANCE.				
10	4025015	6	O-RING, CYLINDER SLEEVE (BOTTOM GROOVE)RED	
11	4028875	12	O-RING, CYL SLEEVE (MIDDLE & TOP)BLACK	
12	4025238	5	BEARING, CAMSHAFT (INT. & REAR) (STD.)	
12	4025258	5	BEARING, CAMSHAFT (INT. & REAR) .010 UNDERSIZE	
13	4025021	1	GASKET, OIL FILLER PLATE.....4029573-5	
14	4026382	1	PLATE, OIL FILLER HOLE	
	0916269	2	CAPSCREW, 3/8 NC X 7/8	
	0910287	2	LOCKWASHER, 3/8	
15	0928599	1	TEE, 1/8 (OIL GALLERY TO F I PUMP AND AIR-COMPRESSOR SUPPLY)	
16	0907059	1	ELBOW, PIPE 1/8 (IN LIEU OF TEE) (OIL GALLERY TO F I PUMP)	
17	0901469	1	NIPPLE (FOR USE W/ITEM 15 OR 16)	

REF-4027468,4027663,4028878,4028914,4028915 (CONTINUED)
CYLINDER BLOCK

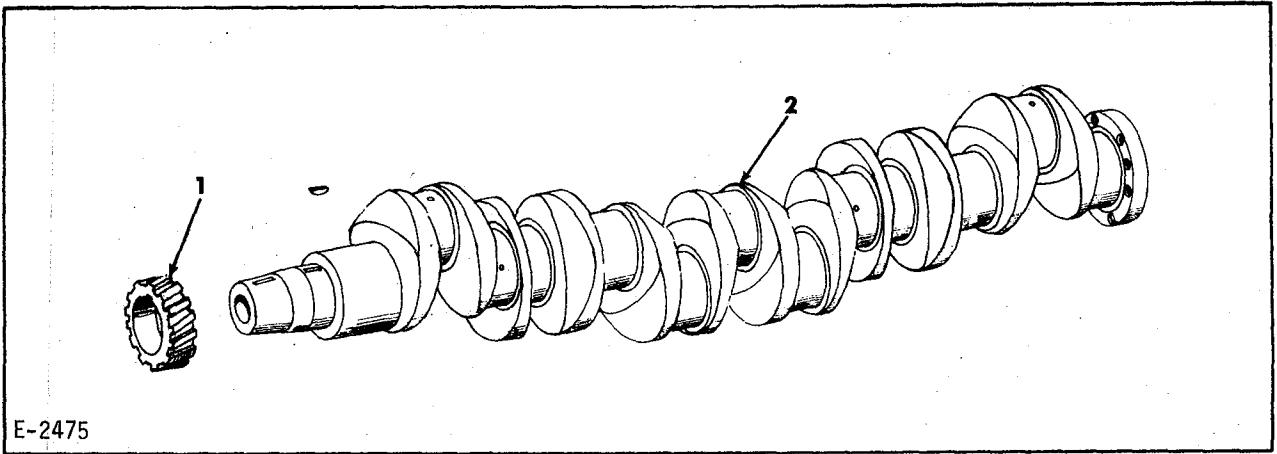
ITEM	PART NUMBER	QTY	DESCRIPTION	PACKAGE NO
18	0923692	1	ELBOW, IMP. FLEX. (FOR USE W/ITEM 17)	
19	4026699	12	LIFTER, VALVE	
20	4025247	1	CAP, REAR MAIN BEARING*	
21	4028086	5	CAP, INTERMEDIATE & FRONT MAIN BRG*	
22	4027637	1	CAP, CENTER MAIN BEARING*	
23	4025062	14	CAPSCREW, MAIN BRG. CAPS (5/8 NC X 4 1/4 SPEC)	
NOTE- * REPLACEMENT BEARING CAPS ARE SEMI-FINISHED AND MUST BE LINE-BORED AFTER INSTALLING.				
24	4028020	5	BEARING, FRONT & INT., UPPER (STD.)	
24	4028040	5	BEARING, FRONT & INT., UPPER .010	
24	4028041	5	BEARING, FRONT & INT., UPPER .020	
24	4028043	5	BEARING, FRONT & INT., UPPER .040	
25	4025007	5	BEARING, FRONT & INT., LOWER (STD.)	
25	4025267	5	BEARING, FRONT & INT., LOWER .010	
25	4025268	5	BEARING, FRONT & INT., LOWER .020	
25	4025270	5	BEARING, FRONT & INT., LOWER .040	
26	4025010	2	FLANGE, THRUST, UPPER (STD.)	
26	4025263	2	FLANGE, THRUST, UPPER .005	
26	4025264	2	FLANGE, THRUST, UPPER .010	
26	4025265	2	FLANGE, THRUST, UPPER .015	
27	4025011	2	FLANGE, THRUST, LOWER (STD.)	
27	4025260	2	FLANGE, THRUST, LOWER .005	
27	4025261	2	FLANGE, THRUST, LOWER .010	
27	4025262	2	FLANGE, THRUST, LOWER .015	
28	4251746	4	PIN, GROOVE, THRUST FLANGE	
28	4028021	2	BEARING, CENTER REAR, UPPER (STD.)	
29	4028045	2	BEARING, CENTER REAR, UPPER .010	
29	4028046	2	BEARING, CENTER REAR, UPPER .020	
29	4028048	2	BEARING, CENTER, UPPER .040	
30	4025009	2	BEARING, CENTER REAR, LOWER (STD.)	
30	4025277	2	BEARING, CENTER REAR, LOWER .010	
30	4025278	2	BEARING, CENTER REAR, LOWER .020	

NOTE- REFER TO PACKAGE PARTS FOR BEARING KITS

CONTINUED

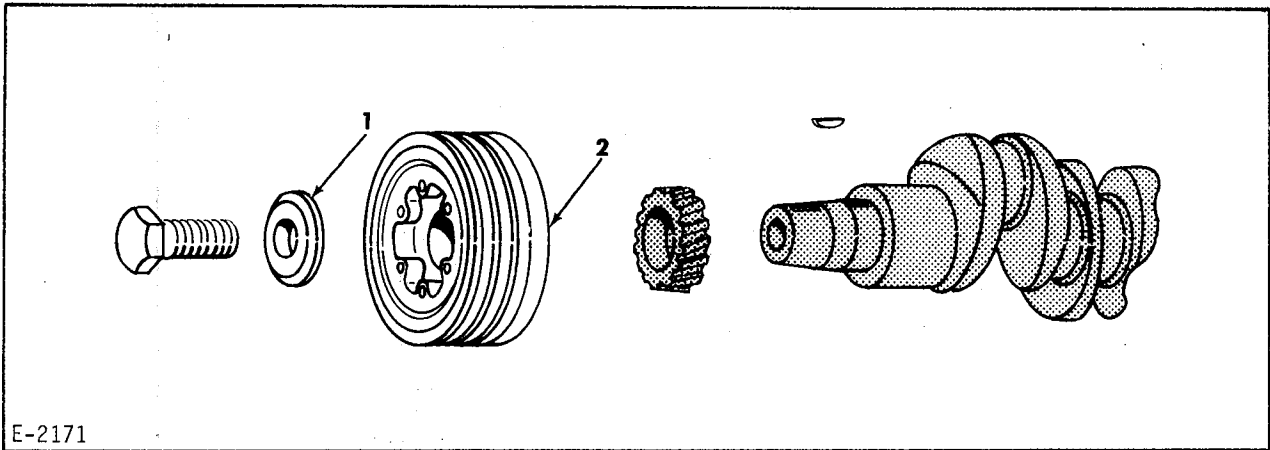
REF-4027468,4027663,4028878,4028914,4028915 (CONTINUED)
 CYLINDER BLOCK

ITEM	PART NUMBER	QTY	DESCRIPTION	PACKAGE NO
30	4025280	2	BEARING, CENTER REAR, LOWER .040	
31	4027547	1	GAUGE, OIL LEVEL	
32	4027548	1	ADAPTOR ASSY., OIL LEVEL GAUGE	
33	4027454	1	ELBOW, OIL FILLER	
	0916272	2	CAPSCREW, 3/8 NC X 1-1/4	
	0910287	2	LOCKWASHER, 3/8	
	0913544	2	WASHER, PLAIN, 3/8	
34	4025021	1	GASKET.....	4029573-5
35	4021711	1	CAP, OIL FILLER	



REF-4029037
CRANKSHAFT

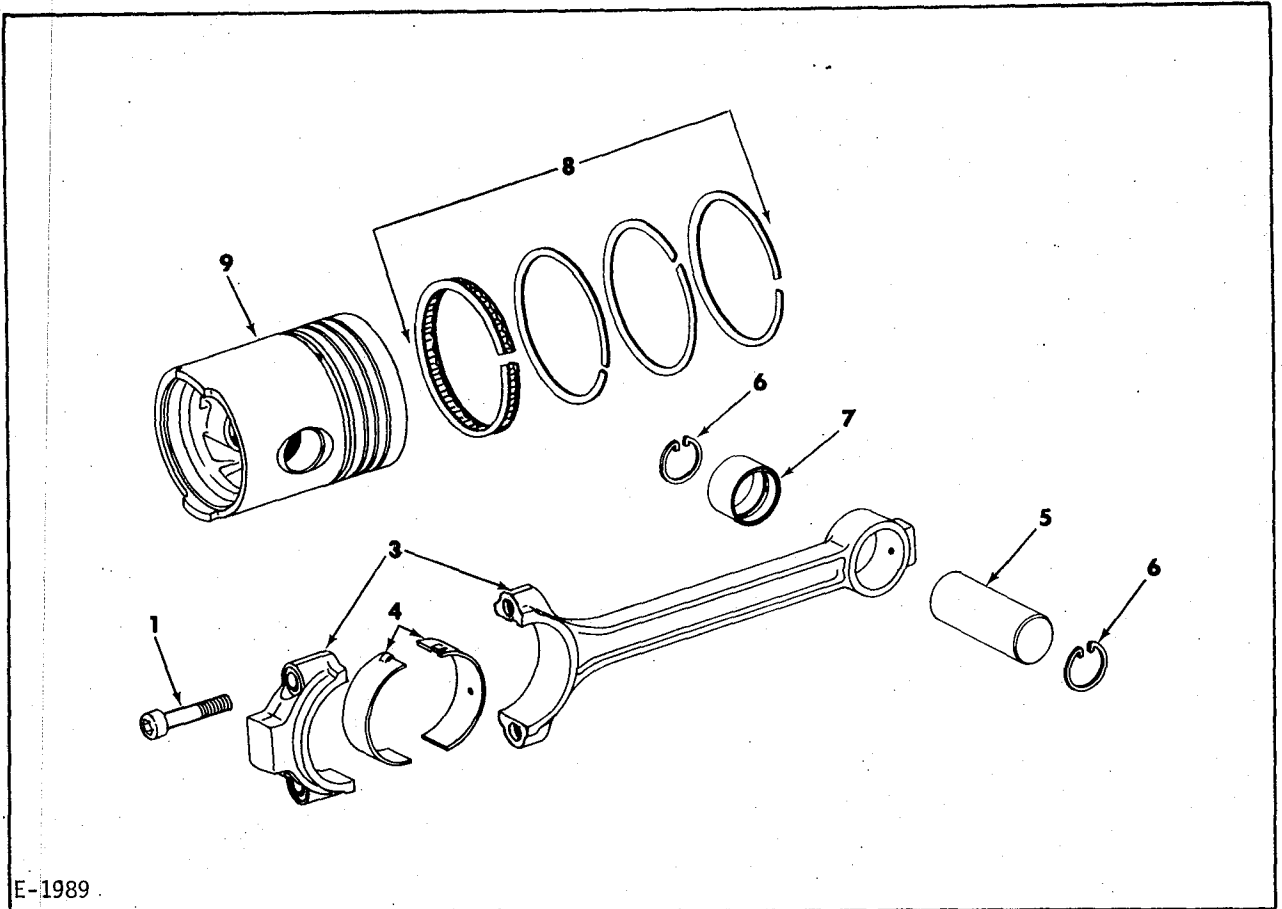
ITEM	PART NUMBER	QTY	DESCRIPTION	PACKAGE NO
1	4025041	1	GEAR, CRANKSHAFT	
	0905845	1	KEY, WOODRUFF, 1/4 X 7/8	
2	4028608	1	CRANKSHAFT (INSTRUCTION SHEET 4029036 SHIPPED WITH UNIT)	



E-2171

REF-4028539, 4028625, 4029435
CRANKSHAFT PULLEY

ITEM	PART NUMBER	QTY	DESCRIPTION	PACKAGE NO
1	4025115	1	WASHER, PULLEY	
	0918297	1	CAPSCREW, 1 NF X 2	
2	4028443	1	PULLEY & DAMPER, (4 GROOVE)*	
	0905845	1	*FOR ENGINE (402888C) (4028881) KEY, WOODRUFF, 1/4 X 7/8	
2	4028684	1	PULLEY & DAMPER (3 GROOVE) *	
	0905845	1	* FOR ENGINE (4028883) KEY, WOODRUFF, 1/4 X 7/8	
2	4028472	1	PULLEY & DAMPER (3 GROOVE)*	
	0905845	1	*FOR ENGINES (4028884) KEY, WOODRUFF 1/4 X 7/8	



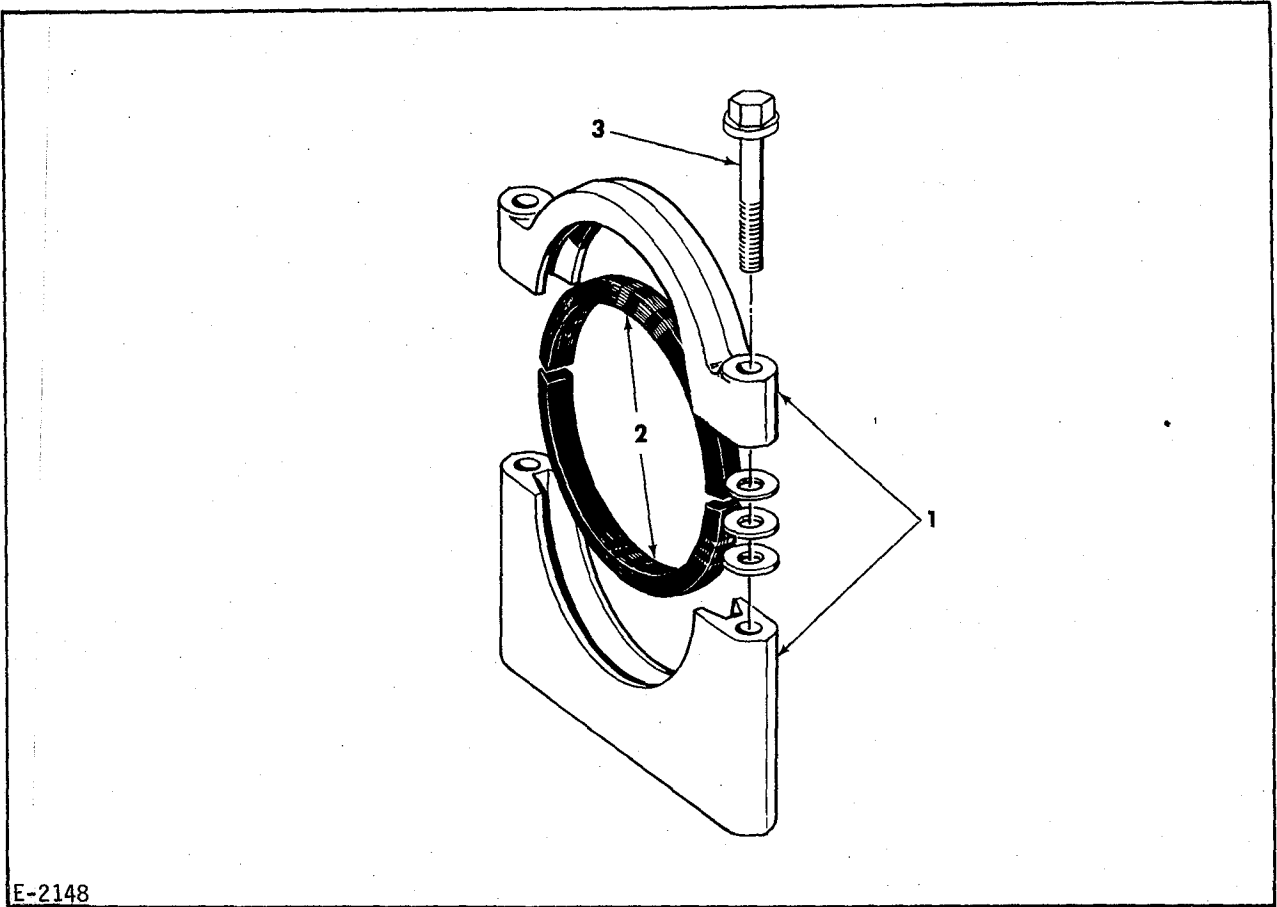
E-1989

REF-4026979, 4029139
PISTON AND CONNECTING ROD

ITEM	PART NUMBER	QTY	DESCRIPTION	PACKAGE NO
1	4027334	12	CAPSCREW, CONNECTING ROD	
3	4027332	6	ROD ASSY., (INCLUDES ITEMS 1 AND 7)	
4	4025030	12	BEARING, CONNECTING ROD (STD.)	
4	4025253	12	BEARING, CONNECTING ROD .002 U.S.	
4	4025254	12	BEARING, CONNECTING ROD .010 U.S.	
4	4025255	12	BEARING, CONNECTING ROD .020 U.S.	
4	4025257	12	BEARING, CONNECTING ROD .040 U.S.	
5	4026505	6	PIN, PISTON.....4029284-9, 4029423-3	
6	4254608	12	RETAINER, PISTON PIN.....4029284-9, 4029423-3	
7	4025031	6	BUSHING, CONNECTING ROD	
8	4028036	6	RING SET, PISTON.....4029284-9, 4029423-3	
9	4028023	6	PISTON (3500 ENGINE).....4029284-9	
9	4029137	6	PISTON (3400 ENGINE).....4029423-3	

NOTE- REFER TO PACKAGE PARTS FOR BEARING KITS

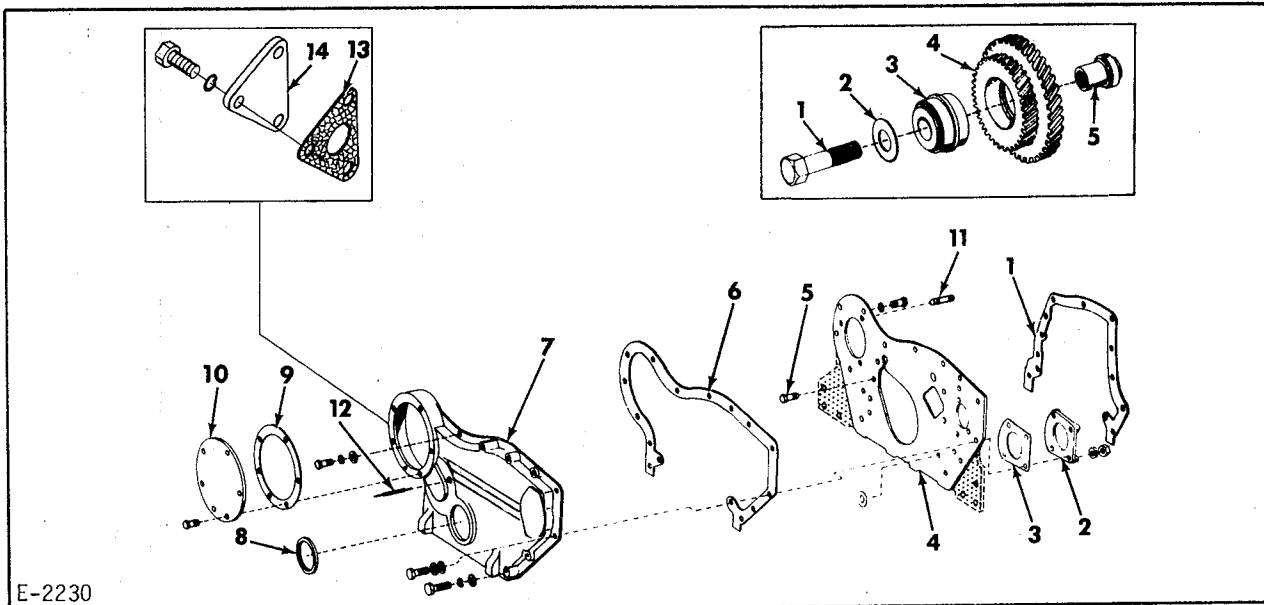
MEMO



E-2148

TRUNNION, FRONT SUPPORT
(4028695)

ITEM	PART NUMBER	QTY	DESCRIPTION	PACKAGE NO
1	4028672 0916009	1 10	BRACKET WASHER, PLAIN, 17/32 (F/SHIMMING) (USE AS REQUIRED)	
2	4336491	2	LINER, BRACKET	
3	0924694	2	CAPSCREW, 1/2 NC X 3	



E-2230

REF-4028175, 4028892, 4029345
TIMING GEAR HOUSING

ITEM	PART NUMBER	QTY	DESCRIPTION	PACKAGE NO
1	4027752	1	GASKET, PLATE TO BLOCK.....	4029573-5
2	4027735	1	COVER, HYDRAULIC PUMP	
	0916383	2	CAPSCREW, 3/8 NF X 1-7/8	
	0913544	2	WASHER (ENGINES 4028880 & 4028881)	
	0910287	4	LOCKWASHER, 3/8	
	0910123	4	NUT, 3/8 NF	
3	4025343	1	GASKET, COVER.....	4029573-5
4	4027303	1	PLATE ASSY., WITH SUPPCRT EXTENTION* INCLUDES 5 OF ITEM 11 * ON ENGINE (4028884)	
4	4029362	1	PLATE ASSY., W/O SUPPCRT EXTENSION INCLUDES 2 OF ITEM 11 * ON ENGINE (4028883)	
4	4028890	1	PLATE ASSY, WITH SUPPCRT EXTENSION INCLUDES 2 OF ITEM 11 * ON ENGINES (4028880) (4028881)	
	0916271	3	CAPSCREW 3/8 AC X 1	
	0919224	3	CAPSCREW 3/8 NC X 1 1/8	
	0910287	6	LOCKWASHER	
5	0915408	2	CAPSCREW 3/8 NC X 3/4 *	
5	0916271	1	CAPSCREW 3/8 NC X 1 *	
5	4254873	1	WASHER, DYNASEAL *USE WITH PLATE ASSY (4029362)	
5	4254905	2	BOLT, LOCKING 3/8 NC X 3/4 *	
5	4254902	1	BOLT, LOCKING 3/8 NC X 1 *	
5	4254873	1	WASHER, DYNASEAL * *USE WITH PLATE ASSY (4027303, 4028890)	
6	4027751	1	GASKET, COVER TO PLATE.....	4029573-5

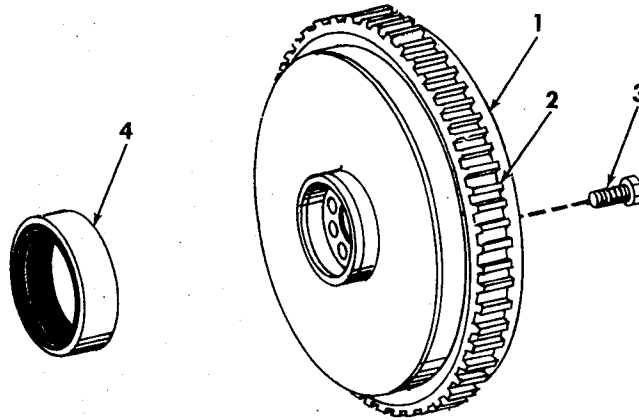
REF-4028175, 4028892, 4029345 (CONTINUED)
TIMING GEAR HOUSING

ITEM	PART NUMBER	QTY	DESCRIPTION	PACKAGE NO
7	4029402	1	COVER, TIMING GEAR HOUSING ENGINE 4028883	
7	4029575	1	COVER, TIMING GEAR HOUSING (WHEN REPLACING 4027143 OR 4028861 ORDER ITEMS 13 AND 14 ENGINE 4028880, 4028881, 4028884	
	0916271	4	CAPSCREW, 3/8 NC X 1	
	0914847	1	CAPSCREW, 3/8 NC X 1-1/2	
	0912069	2	CAPSCREW, 3/8 NC X 2-1/2	
	0919015	2	CAPSCREW, 3/8 NC X 3-1/2	
	0913544	5	WASHER, PLAIN, SAE STD., 3/8 (NOT USED ON ENGINE 4028883)	
	0910287	8	LOCKWASHER, 3/8	
8	4028922	1	SEAL KIT, FRONT, OIL, CRANKSHAFT INCL. OIL SEAL 4028862 WITH INSTRUCTIONS	
9	4026548	1	GASKET, INSPECTION PLATE.....4029573-5	
10	4025077	1	COVER, INSPECTION	
	0920539	6	CAPSCREW, 3/8 NC X 1 (NYLOCK)	
11	4026460	-	STUD, FRNT PLATE (AS REQUIRED)	
12	4028742	1	PIN, TIMING (FOR COVER 4029402)	
13	4029053	1	GASKET	
14	4028733	1	COVER, INSPECTION PLATE	
	0916271	3	CAPSCREW, 3/8 NC X 1	
	0910287	3	LOCKWASHER	

NOTE- IDLER GEAR ASSEMBLY VIEW B

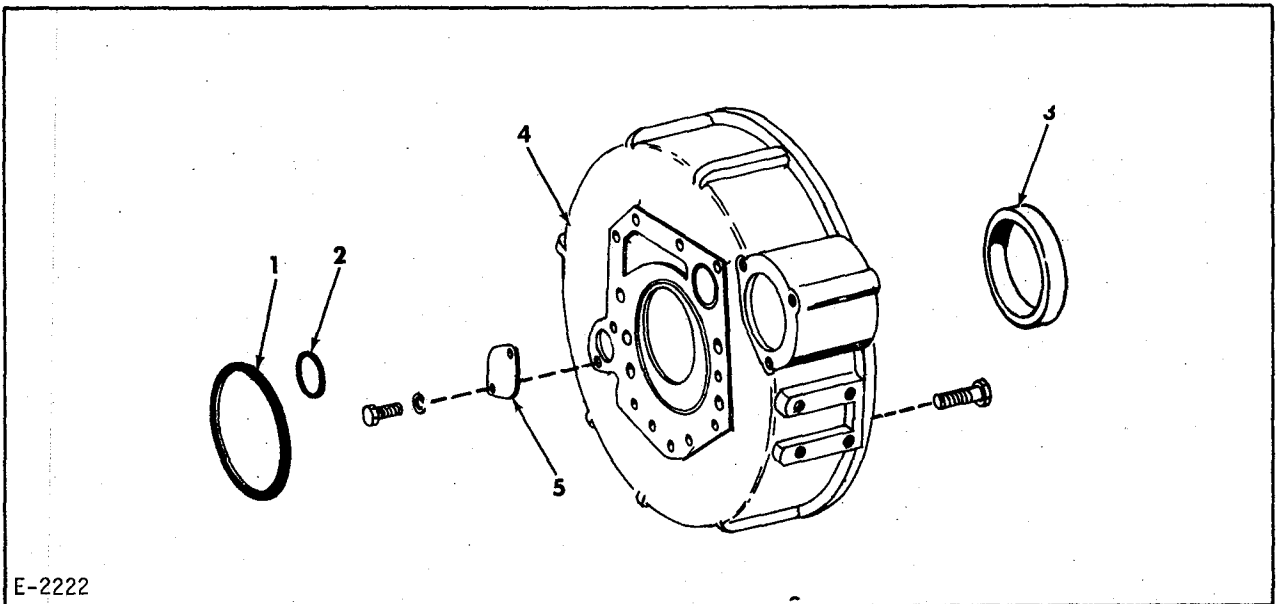
1	0921539	1	CAPSCREW, RETAINING 1/2 NC X 3-1/2
2	4025461	1	WASHER
3	4025082	1	BEARING ASSY., IDLER GEAR
4	4027769	1	GEAR, IDLER AND FUEL PUMP DRIVE
5	4020102	1	SHAFT, IDLER GEAR

E-2223



REF-4025406, 4027496
FLYWHEEL

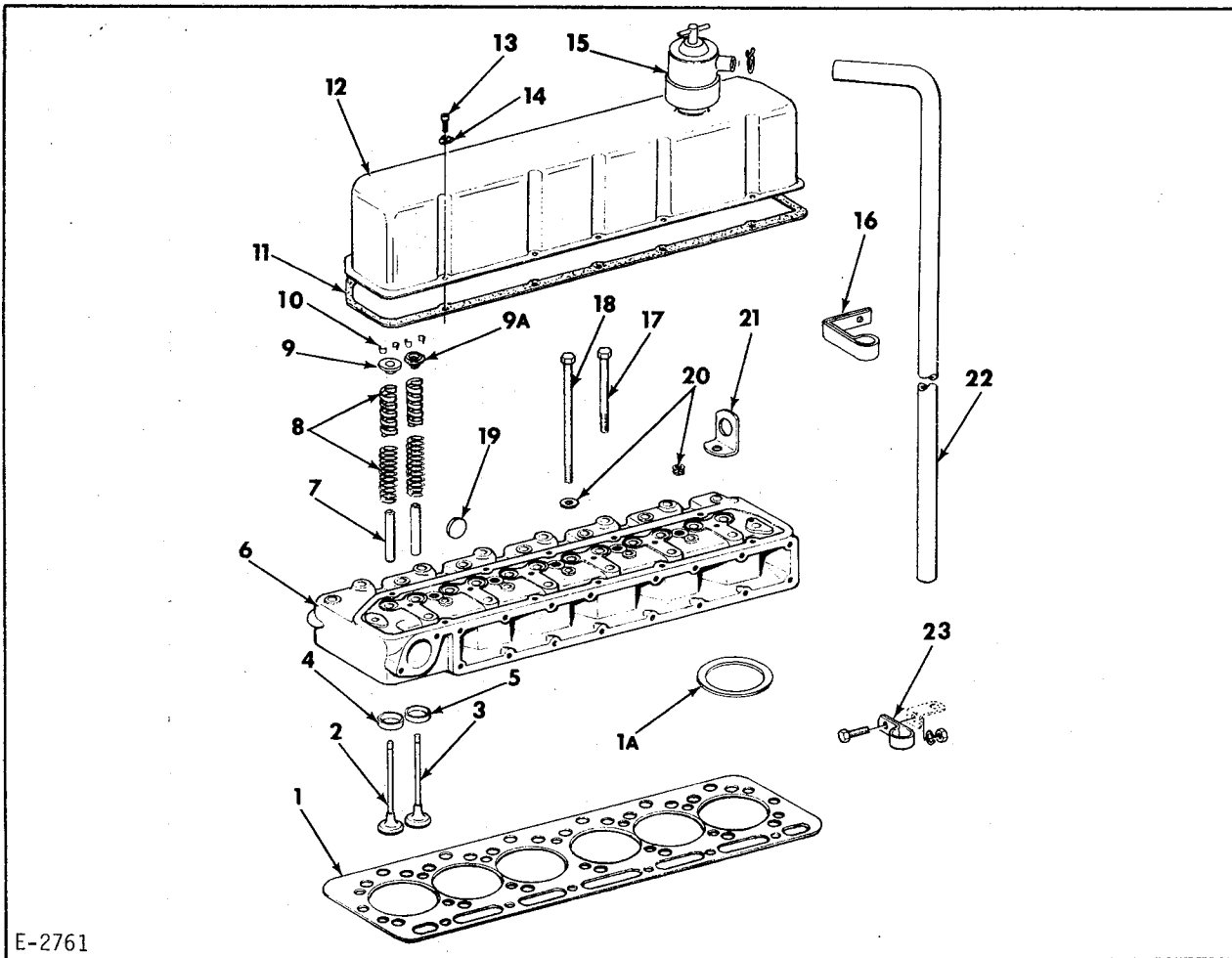
ITEM	PART NUMBER	QTY	DESCRIPTION	PACKAGE NO
1	4026062	1	FLYWHEEL ASSY., (INCL. RING GR) (USE W/SAE #2 HOUSING, BENDIX DRIVE AND ROCKFORD 14 RT OR LIPE-ROLLAWAY 14 CPB FLAT TYPE CLUTCH) * FOR ENGINE 4028883	
1	4028567	1	FLYWHEEL ASSY., (INCL. RING GR) (USE W/SAE #2 HOUSING, BENDIX DRIVE AND TWIN DISC SP111 AND 211 CLUTCH) *FOR ENGINES 402888C, 4028881, 4028884,	
2	4304907	1	GEAR, RING	
3	4359805	6	BOLT, FLYWHEEL	
4	4029556	1	SLEEVE KIT, WEAR INCL. SLEEVE 4028992 WITH INSTRUCTIONS	



E-2222

REF-4025407, 4027497
HOUSING, FLYWHEEL

ITEM	PART NUMBER	QTY	DESCRIPTION	PACKAGE NO
1	4025097	1	O-RING, FLYWHEEL HOUSING (8-1/2 ID)..	4029573-5
2	4020879	1	O-RING, FLYWHEEL HOUSING (2-1/4 ID)..	4029573-5
3	4029502	1	SEAL KIT, REAR OIL INCL. SEAL 4029399 WITH INSTRUCTIONS	
4	4027509	1	HOUSING, FLYWHEEL (SAE #2)	
	4386090	8	BOLT, PLACE	
	4372864	8	WASHER, 17/32 ID (STANDARD ON ENGINE 4028883)	
4	4028289	1	HOUSING, FLYWHEEL (SAE #2)	
	0916311	8	CAPSCREW, 1/2 NC X 1-1/4	
	0904208	8	LOCKWASHER, 1/2	
	0918851	1	PLUG, PIPE 3/4 DRYSEAL	
	0919840	1	PLUG, PIPE, 1/4 NPTF STANDARD ON ENGINES 4028880, 4028881 AND 4028884	
5	4025427	1	COVER, PLATE	
	0915343	2	CAPSCREW, 1/4 NC X 5/8	
	0904204	2	LOCKWASHER, 1/4	



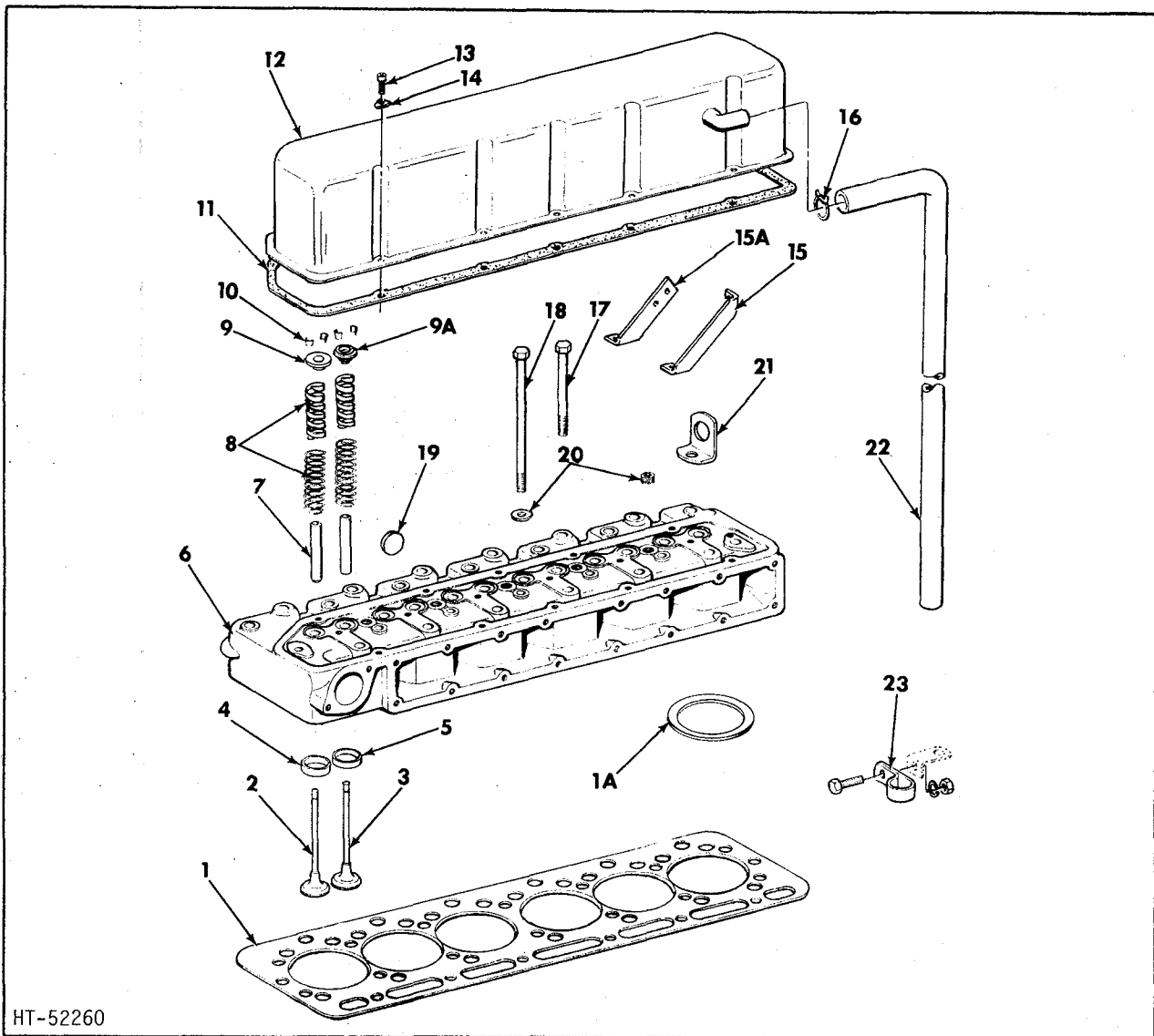
E-2761

REF-4029332
CYLINDER HEAD (FIGURE 1)
(4028570)

ITEM	PART NUMBER	QTY	DESCRIPTION	PACKAGE NO
1	4027598	1	GASKET KIT, CYL. HD. (INCL. ITEM 1A..4029572-7	
1A	4027013	6	RING, FIRE	
2	4028643	6	VALVE, EXHAUST	
3	4029271	6	VALVE, INTAKE	
4	4028642	6	INSERT, EXHAUST VALVE SEAT	
4	4028773	*	INSERT, EXHAUST VALVE SEAT .005 OVERSIZE	
5	4028641	6	INSERT, INTAKE VALVE SEAT	
5	4025186	*	INSERT, INTAKE VALVE SEAT .005 OVERSIZE	
6	4028944	1	HEAD ASSY., CYLINDER	
	4255577	6	(INCL. ITEMS 4, 5, 7, 19 & PLUGS INDENTED BELOW) PLUG, PIPE 3/4 CTSK. NPT	
7	4022595	12	GUIDE, INTAKE AND EXHAUST VALVE	
8	4025242	12	SPRING ASSY., VALVE (INCLUDES DAMPER)	
9	4343799	6	RETAINER, VALVE SPRING (EXHAUST)	

REF-4029332 (CONTINUED)
 CYLINDER HEAD (FIGURE 1)
 (402857C)

ITEM	PART NUMBER	QTY	DESCRIPTION	PACKAGE NO
9A	4028644	6	ROTATOR, INTAKE VALVE	
10	4376497	24	LOCK, HALF, VALVE SPRING RETAINER	
11	4025472	1	GASKET, CYLINDER HEAD COVER.....	4029572-7
12	4027774	1	COVER, CYLINDER HEAD (REAR BREATHER CONN.)	
12	4027914	1	COVER, CYLINDER HEAD (4028570) (CENTER BREATHER CONN.)	
13	4153776	10	CAPSCREW, CYLINDER HEAD COVER	
14	4025491	10	WASHER, COVER CAPSCREW	
15	4027723	1	BREATHER ASSY., CYLINDER HEAD	
16	4028162	1	CLAMP, UPPER	
17	4029256	20	CAPSCREW, CYL. HD. (SHORT) EFF. WITH S/N 3D16722	
17	4025164	20	CAPSCREW, CYL. HD. (SHORT) PRIOR TO S/N 3D16722 (REQUIRES USE OF ITEM 20)	
18	4029257	6	CAPSCREW, CYL. HD. (LCNG) EFF. WITH S/N 3D17261	
18	4025166	6	CAPSCREW, CYLINDER HEAD (LCNG) EARLY TYPE (ALSO ATTACHES ROCKER ARM BRACKET)	
19	4255107	5	PLUG, CORE HOLE	
20	4025165	*	WASHER, CYLINDER HEAD CAPSCREW (USE WITH CAPSCREW 4025164 4025166)	
21	4025177	2	EYE, LIFTING	
22	4027775	1	HOSE, BREATHER	
	4254156	1	CLAMP, HOSE UPPER	
23	0925964	1	CLAMP, (LOWER)	
	0915408	1	CAPSCREW, 3/8 NC X 3/4	
	0910287	1	LOCKWASHER, 3/8	
	0910324	1	NUT, 3/8 NC	



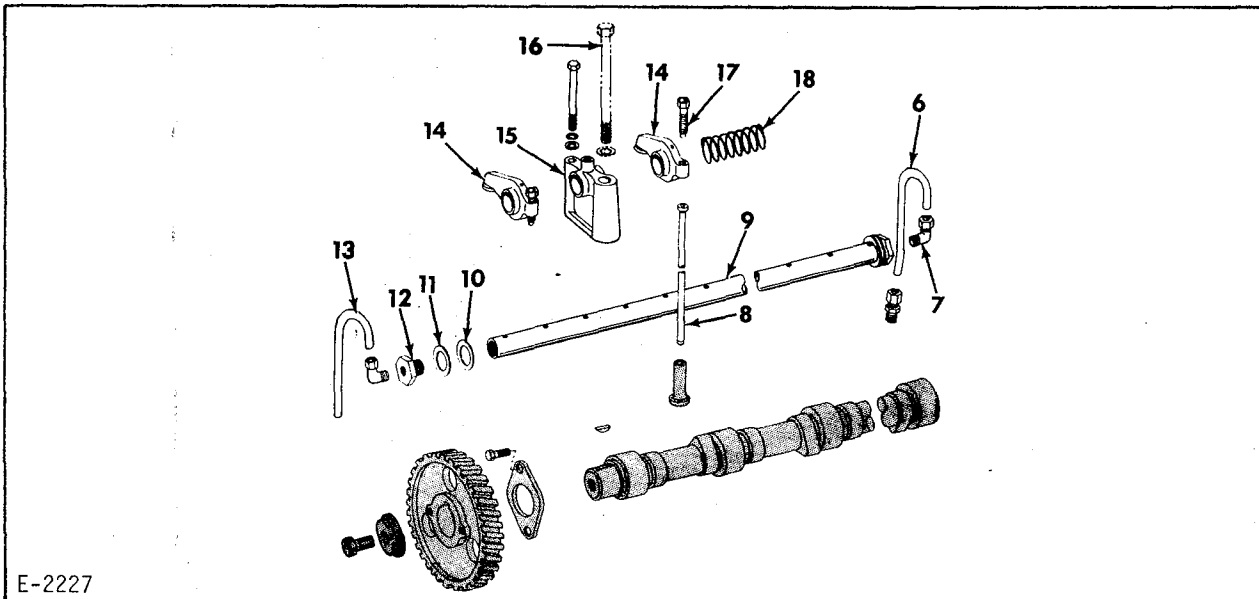
HT-52260

REF-4028910, 4028912, 4029004, 4025947
CYLINDER HEAD (FIGURE 2)

ITEM	PART NUMBER	QTY	DESCRIPTION	PACKAGE NO
1	4027598	1	GASKET ASSY., CYL. HD. (INCL. ITEM 1A)...	4029572
1A	4027013	6	RING, FIRE	
2	4025182	6	VALVE, EXHAUST (MODEL 3400)	
2	4028643	6	VALVE, EXHAUST (MODEL 3500)	
3	4025179	6	VALVE, INTAKE (MODEL 3400)	
3	4029271	6	VALVE, INTAKE (MODEL 3500)	
4	4025185	6	INSERT, EXHAUST VALVE SEAT (MODEL 3400)	
4	4028642	6	INSERT, EXHAUST VALVE SEAT (MODEL 3500)	
4	4025585	*	INSERT, EXHAUST VALVE SEAT .005 O/S MDL 3400	
4	4028773	*	INSERT, EXHAUST VALVE SEAT .005 O/S MDL 3500	
5	4025186	*	INSERT, INTAKE VALVE SEAT (NOT ORIGINAL EQUIP. MODEL 3400 REQ. REMACHINING OF CYL. HD)	

REF-4028910, 4028912, 4029004 (CONTINUED)
CYLINDER HEAD (FIGURE 2)

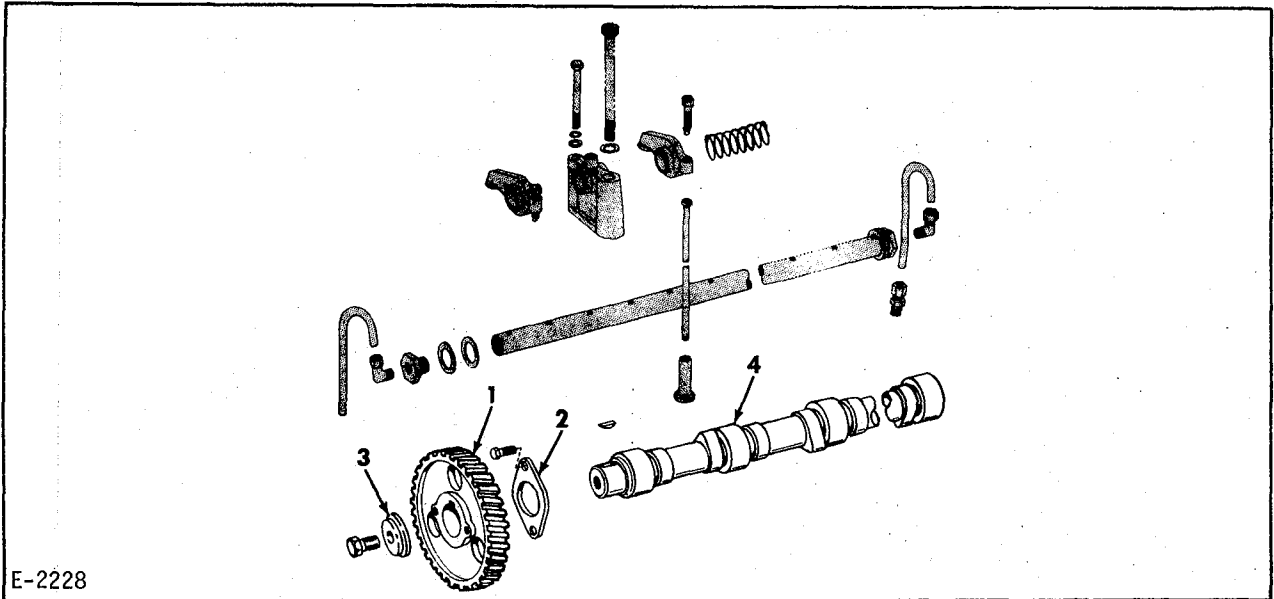
ITEM	PART NUMBER	QTY	DESCRIPTION	PACKAGE NO
5	4028641	6	INSERT, INTAKE ORIG. EQUIP. (MODEL 3500) (USE 4025186 FOR .005 OVERSIZE)	
6	4028944	1	HEAD ASSY., MODEL 3500 INCLUDES 4,5,7,19 AND PLUGS INDENTED BELOW	
6	4027772	1	HEAD ASSY., CYLINDER MODEL 3400-INCLUDES ITEMS 4,5,7,19, AND PLUGS INDENTED BELOW	
	4255577	6	PLUG, PIPE, 3/4 COUNTERSUNK HEX. SOCK.	
7	4022595	12	GUIDE, INTAKE AND EXHAUST VALVE	
8	4025242	12	SPRING ASSY., INTAKE AND EXHAUST VALVE (INCL. DAMPER)	
9	4343799	12	RETAINER, VALVE SPRING (USE 6 ONLY FOR 3500 ENG)	
9	4028644	6	ROTATOR, INTAKE VALVE (3500 ENGINE ONLY)	
10	4376497	24	LOCK, HALF, VALVE SPRING RETAINER	
11	4025472	1	GASKET, CYLINDER HEAD COVER4029572	
12	4025555	1	COVER, CYLINDER HEAD	
13	4153776	10	CAPSCREW, CYLINDER HEAD COVER	
14	4025491	10	WASHER, COVER CAPSCREW	
15	4029626	1	BRACE, AIR CLEANER - ENGINE 4028881	
15A	4025946	1	BRACE, AIR CLEANER - ENGINE 4028884	
16	4253977	1	CLAMP, HCSE UPPER	
17	4029256	20	CAPSCREW, CYL. HD. (SHORT) EFF. WITH S/N 3D16722	
17	4025164	20	CAPSCREW, CYL. HD. (SHORT) PRIOR TO S/N 3D16722	
18	4029257	6	CAPSCREW, CYL. HD. (LONG) EFF. WITH S/N 3D17261	
18	4025166	6	CAPSCREW, CYLINDER HEAD (LONG) (ALSO ATTACHES ROCKER ARM BRACKET)	
19	4255107	5	PLUG, CORE HOLE	
20	4025165	*	WASHER, CYLINDER HEAD CAPSCREW (FOR USE WITH CAPSCREW 4025164 4025166)	
21	4025177	2	EYE, LIFTING	
22	4029252	1	HOSE, BREATHER, RUBBER	
23	4253739	1	CLAMP, BREATHER TUBE (LOWER)	
	0915408	1	CAPSCREW, 3/8 NC X 3/4	
	0910287	1	LOCKWASHER, 3/8	
	0910324	1	NUT, 3/8 NC	



E-2227

REF-4025157, 4028910, 4028912, 4029004, 4029332
ROCKER ARMS, SHAFT & BRACKETS

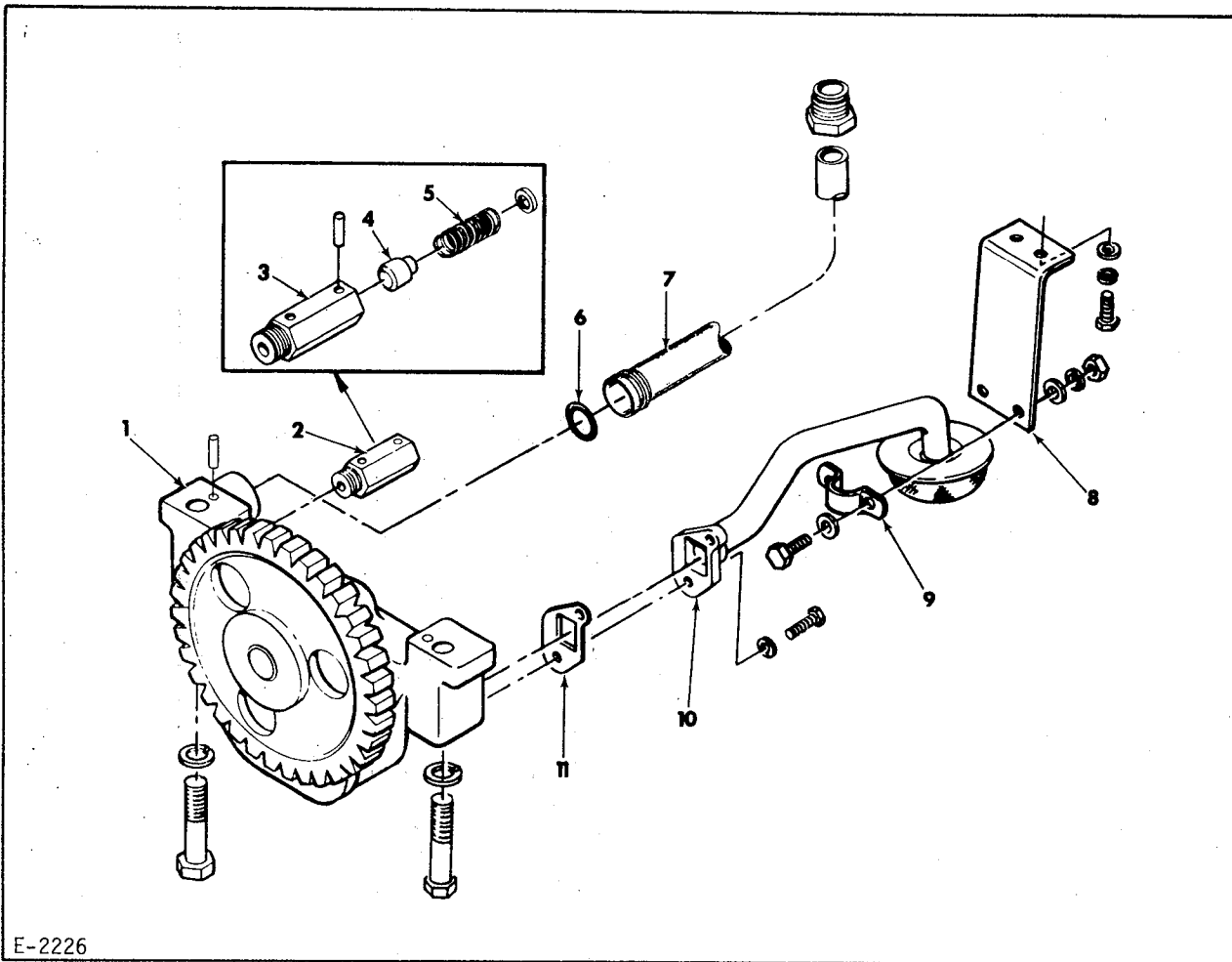
ITEM	PART NUMBER	QTY	DESCRIPTION	PACKAGE NO
NOTE- REFER TO CAMSHAFT FOR ITEMS 1 THRU 4				
NOTE- REFER TO CYLINDER BLOCK FOR ITEM 5				
6	4025175	1	TUBE, OIL FEED	
	0912064	2	NUT, COMPRESSION, 3/16 TUBE	
	0912367	2	SLEEVE, COMPRESSION, 3/16 TUBE	
	0910376	1	CONNECTOR, COMP., 3/16 TUBE, 1/8 NPT	
7	4025237	1	ELBOW, RESTRICTOR, OIL TUBE	
8	4028110	12	ROD, PUSH	
9	4025187	1	SHAFT, ROCKER ARM	
	0916271	1	CAPSCREW, 3/8 NC X 1	
	0910287	1	LOCKWASHER, 3/8	
10	4025194	2	WASHER, SPACING	
11	4025193	2	WASHER, SPACER (END)	
12	4025192	2	PLUG, ROCKER ARM	
13	4025176	1	TUBE, OIL DRAIN	
	0911437	2	NUT, COMPRESSION, 1/4 TUBE	
	0911435	2	SLEEVE, COMPRESSION, 1/4 TUBE	
	0910240	1	ELBOW, COMPRESSION, 1/4 TUBE 1/8 NPT	
14	4025188	12	ARM ASSY., ROCKER (INCLUDES ITEM 17)	
15	4025189	6	BRACKET, ROCKER ARM	
	0916275	6	CAPSCREW, 3/8 NC X 3-3/4	
	0910287	6	LOCKWASHER, 3/8	
	0913544	6	WASHER, PLAIN 13/32	
16	-----	-	CAPSCREW (SEE CYLINDER HEAD)	
17	4513206	12	SCREW, ADJ.	
18	4025191	5	SPRING, SPACER (CENTER)	



E-2228

REF-4028999
CAMSHAFT

ITEM	PART NUMBER	QTY	DESCRIPTION	PACKAGE NO
1	4029062	1	GEAR KIT, CAMSHAFT (INCLUDES GEAR 4029001) WITH INSTRUCTIONS	
	4022430	1	KEY, CAMSHAFT GEAR	
2	4021454	1	PLATE, THRUST	
	4254864	1	BOLT, THRUST PLATE	
3	4022339	1	WASHER, CAM GEAR RETAINING	
	0925821	1	CAPSCREW, 7/16 NC X 4	
4	4029000	1	CAMSHAFT	



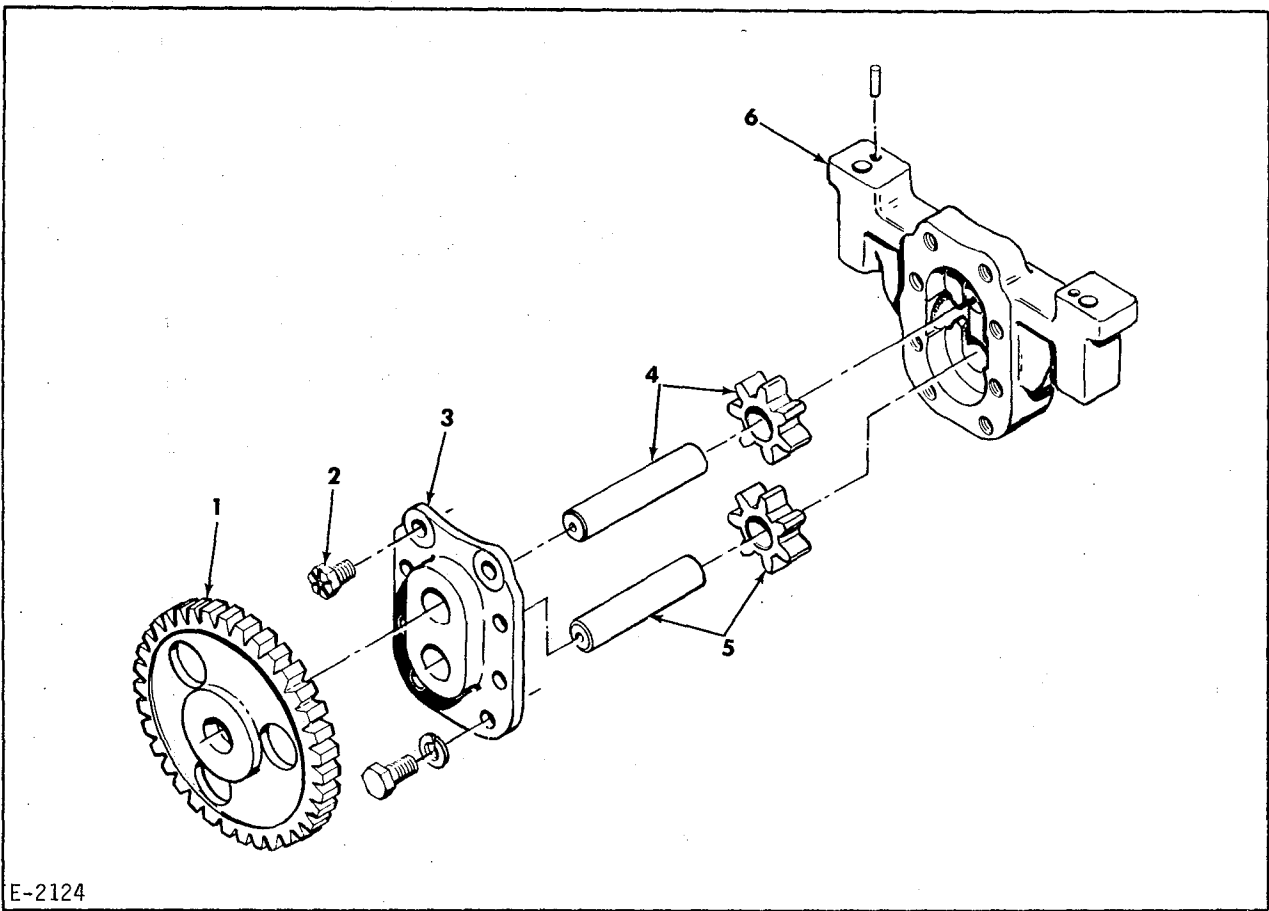
E-2226

REF-4028902
OIL PUMP

ITEM	PART NUMBER	QTY	DESCRIPTION	PACKAGE NO
1	4028052	1	PUMP ASSY., OIL PRESSURE	
	0916319	1	CAPSCREW, 1/2 NC X 3-1/2	
	0910287	2	LOCKWASHER, 1/2	
	0915987	1	CAPSCREW, 1/2 NC X 1-1/2	
2	4028887	1	VALVE ASSY., OIL PRESSURE RELIEF INCLUDES 3, 4 AND 5	
3	-----	1	BODY, VALVE	
4	-----	1	PISTON, VALVE	
5	4028888	1	SPRING, VALVE	
	4359310	1	WASHER	
	0916001	1	PIN, ROLL, 3/16 X 1	
6	0928302	1	O-RING, TUBE, DISCHARGE.....4029473-8	
7	4029877	1	TUBE, OIL PRESSURE DISCHARGE INCL. NUT	
	0922377	1	NUT, HI-DUTY	
8	4027960	1	BRACKET	
	0915809	2	CAPSCREW, 5/16 NC X 3/4	
	0916277	2	CAPSCREW, 5/16 NC X 5/8	
	0904205	4	LOCKWASHER, 5/16	
	0924817	4	WASHER, PLAIN, 5/16	

REF-4028902 (CONTINUED)
OIL PUMP

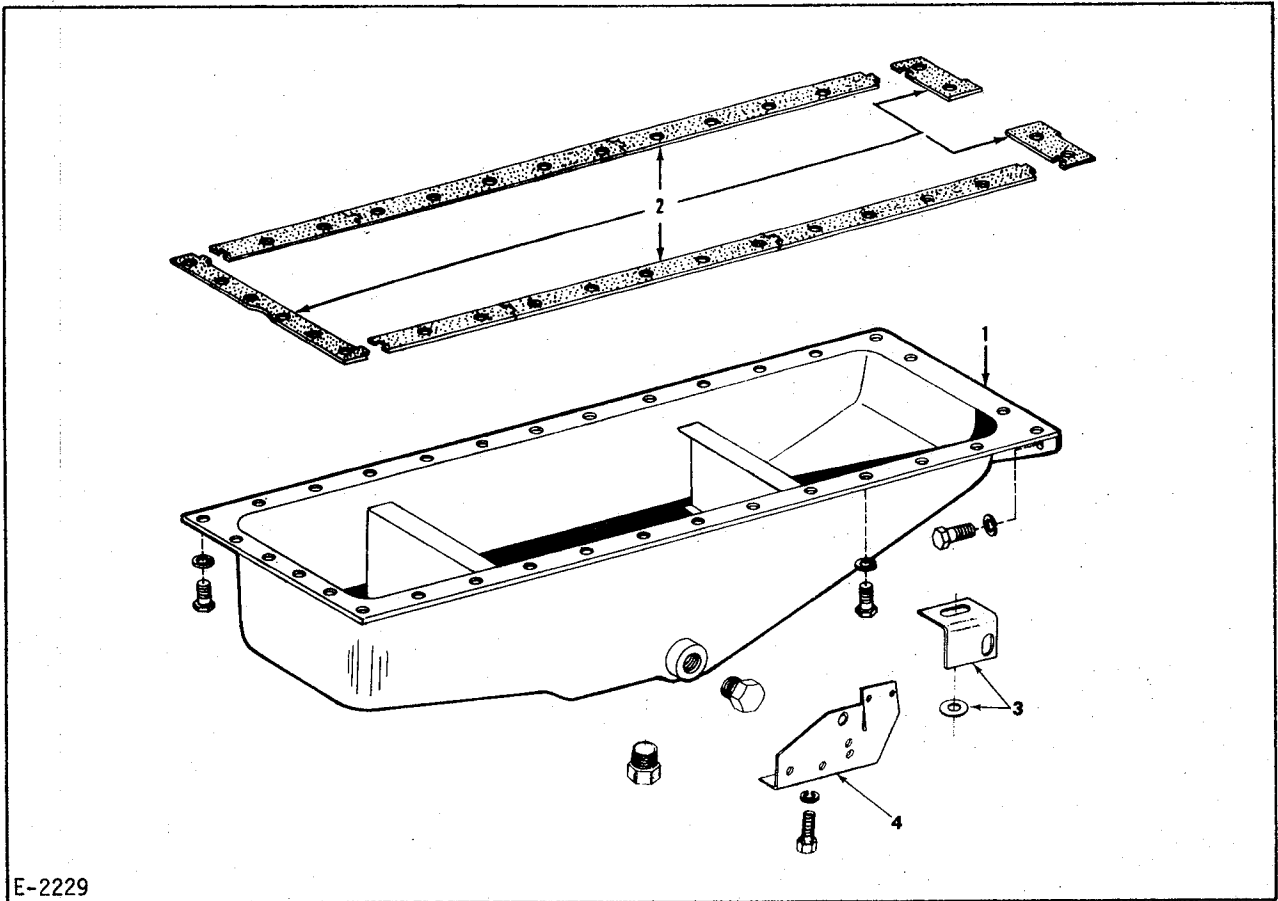
ITEM	PART NUMBER	QTY	DESCRIPTION	PACKAGE NO
9	4027958	1	CLAMP, SUCTION TUBE	
	0914392	2	CAPSCREW, 5/16 NC X 1	
	0904205	2	LOCKWASHER, 5/16	
	0910323	2	NUT, 5/16	
10	4028055	1	TUBE ASSY., OIL SUCTION (INCL. SCREEN ASSY.)	
11	4028070	1	GASKET, SUCTION TUBE.....	4029473-8



E-2124

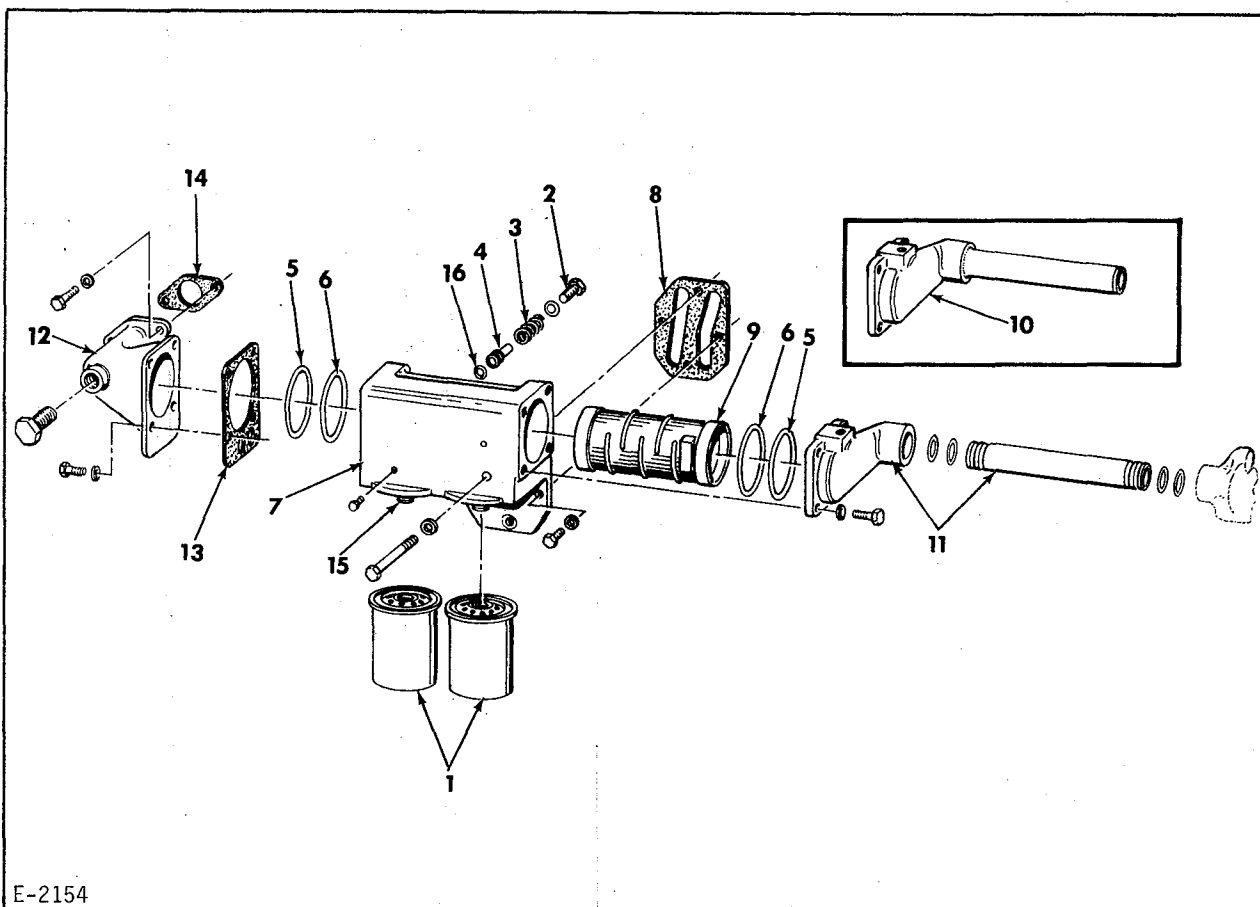
REF-4028902
OIL PUMP ASSEMBLY- 4028052-1

ITEM	PART NUMBER	QTY	DESCRIPTION	PACKAGE NO
1	4026605	1	GEAR, PUMP DRIVE	
2	4254864	2	BOLT, LOCK, COVER	
3	4027583	1	COVER, FRONT	
	0914392	6	CAPSCREW, 5/16 NC X 1	
	0904205	6	LOCKWASHER, 5/16	
4	4028078	1	SHAFT & GEAR, DRIVER	
5	4028079	1	SHAFT & GEAR, DRIVEN	
6	4028053	1	BODY ASSY., PUMP (INCL. PINS)	
	0917547	2	PIN, DOWEL, 3/8 X 3/4	



REF-4028508, 4029424, 4029699
OIL PAN

ITEM	PART NUMBER	QTY	DESCRIPTION	PACKAGE NO
1	4029422	1	PAN, OIL	
	0916271	7	CAPSCREW, 3/8 NC X 1	
	0915408	5	CAPSCREW, 3/8 NC X 3/4	
	0916269	25	CAPSCREW, 3/8 NC X 7/8	
	0910287	37	LOCKWASHER, 3/8	
	0920525	2	PLUG, PIPE, 3/4 NPTF (OIL DRAIN, SIDE & BOTTOM)	
	0160150	1	PLUG, MAGNETIC DRAIN (4028508) ALSO REPLACES 4027320	
2	4026602	1	GASKET SET, OIL PAN.....	4029473-8
3	4025992	1	BRACKET, BREATHERHOSE FASTENER	
	0911115	1	WASHER, PLAIN	
4	4029587	1	BRACKET, FUEL FILTER*	
			*FOR ENGINE 4028884 WITH DISTRIBUTOR TYPE F. I. PUMP	
	0916272	1	CAPSCREW, 3/8 NC X 1 1/4	



E-2154

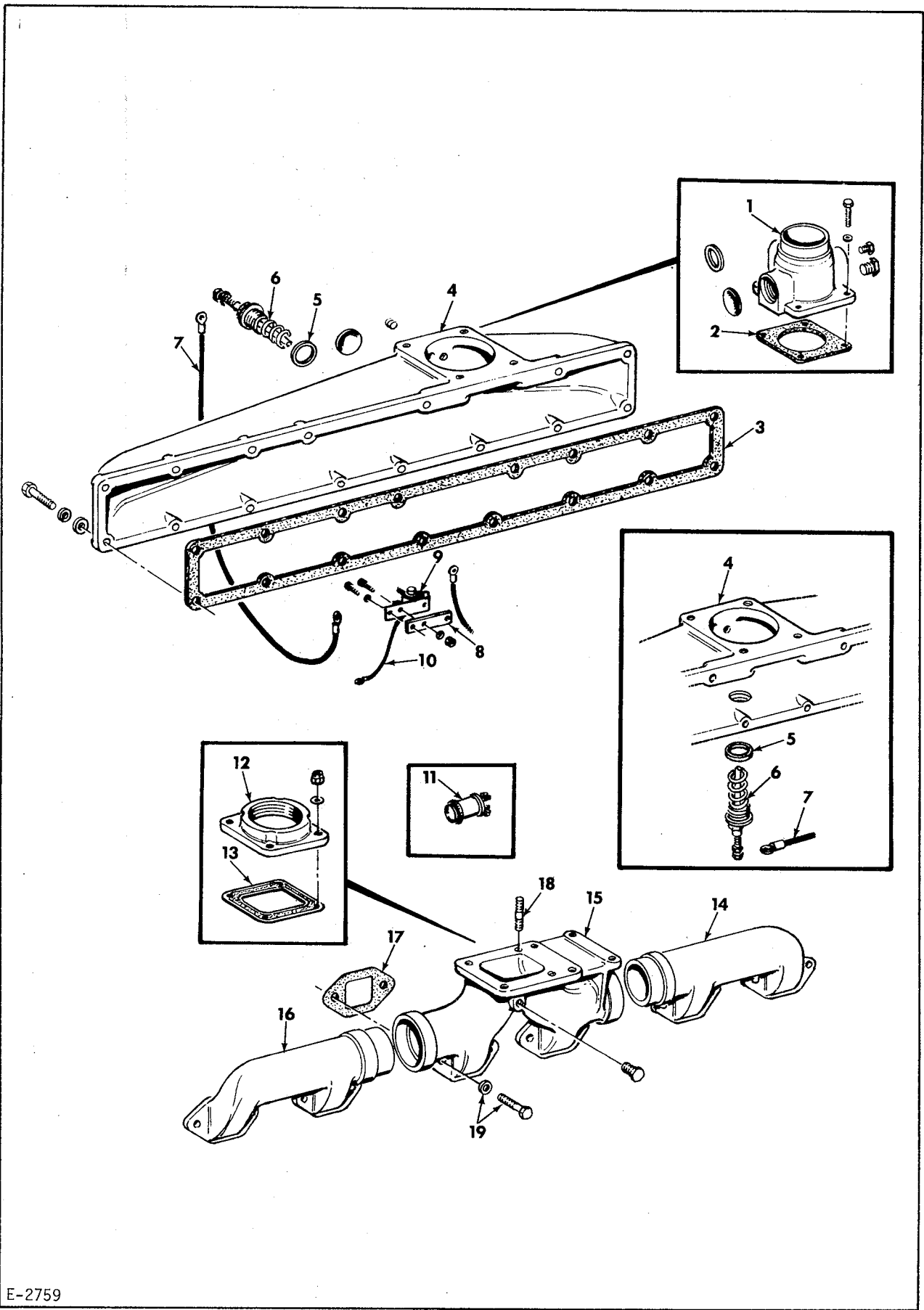
REF. 4028818, 4028819, 4029318, 4029328
OIL FILTER AND COOLER

ITEM	PART NUMBER	QTY	DESCRIPTION	PACKAGE NO
1	4023548	2	FILTER ENGINE OIL	
2	4028876	1	CAPSCREW, 3/4 NC X 1-3/8	
	0916777	1	WASHER, COPPER	
3	4500231	1	SPRING	
4	4507374	1	PLUNGER	
5	0923637	2	O-RING, WATER SIDE (COLOR CODE BLUE-WATER) (ETHYLENE-PROPYLENE).....4029573-5	
6	0928366	2	O-RING, LUBE OIL SIDE (COLOR CODE YELLOW-OIL)4029573-5	
7	4028824	1	HOUSING ASSY., WITH INSERTS ITEMS 15 & 16	
	0916191	3	CAPSCREW, 7/16 NC X 1-1/2	
	0904207	3	LOCKWASHER, 7/16	
	0916324	1	CAPSCREW, 1/2 NC X 6	
	0904208	1	LOCKWASHER, 1/2	
	0919134	1	PLUG, PIPE HX. HD. 1/8 NPT	
8	4028820	1	GASKET, MOUNTING, HSG. ASSY.....4029573-5	
9	4028826	1	COOLER, LUBE OIL	
10	4029325	1	TUBE AY. FOR ENGINES 4028881, 4028884	
	0923621	2	O-RING	

REF. 4028818, 4028819, 4029318, 4029328 (CONTINUED)
OIL FILTER AND COOLER

ITEM	PART NUMBER	QTY	DESCRIPTION	PACKAGE NO
11	4028827	1	ADAPTER, WATER INLET FOR ENGINES 4028880, 4028883	
	0916272	4	CAPSCREW, 3/8 NC X 1-1/4 PRIOR TO SN 3D-26001*	
	0910287	4	LOCKWASHER, 3/8	
	0919225	4	CAPSCREW, 3/8 NC X 1 3/8 EFF. WITH SN 3D-26001*	
11	4028059	1	TUBE, WATER INLET	
	0923664	4	FOR ENGINES 4028880, 4028883 O-RING, SEALING,.....4029573-5	
12	4028821	1	ELBOW, WTR OUTLET	
13	4028822	1	GASKET, ELBOW TO HSG.....4029573-5	
	0916272	4	CAPSCREW 3/8 NC X 1-104	
	0910287	4	LOCKWASHER 3/8	
	0921073	1	PLLG, PIPE, 1 NPT	
14	4028823	1	GASKET, ELBOW TO BLOCK.....4029573-5	
	0919230	2	CAPSCREW 1/2 NC X 1-3/8	
	0904208	2	LOCKWASHER 1/2	
15	4028829	2	INSERT	
16	4507673	1	INSERT, RELIEF VALVE	

*1 3/8 CAPSCREW USED WITH ALUMINUM HSG.



E-2759

REF 4028491, 4029113, 4029114, 4029557, 4029558 (CONTINUED)
 INTAKE & EXHAUST MANIFOLD AND AIR HEATER
 (4029068) (4029069) (4029350) (4035086)

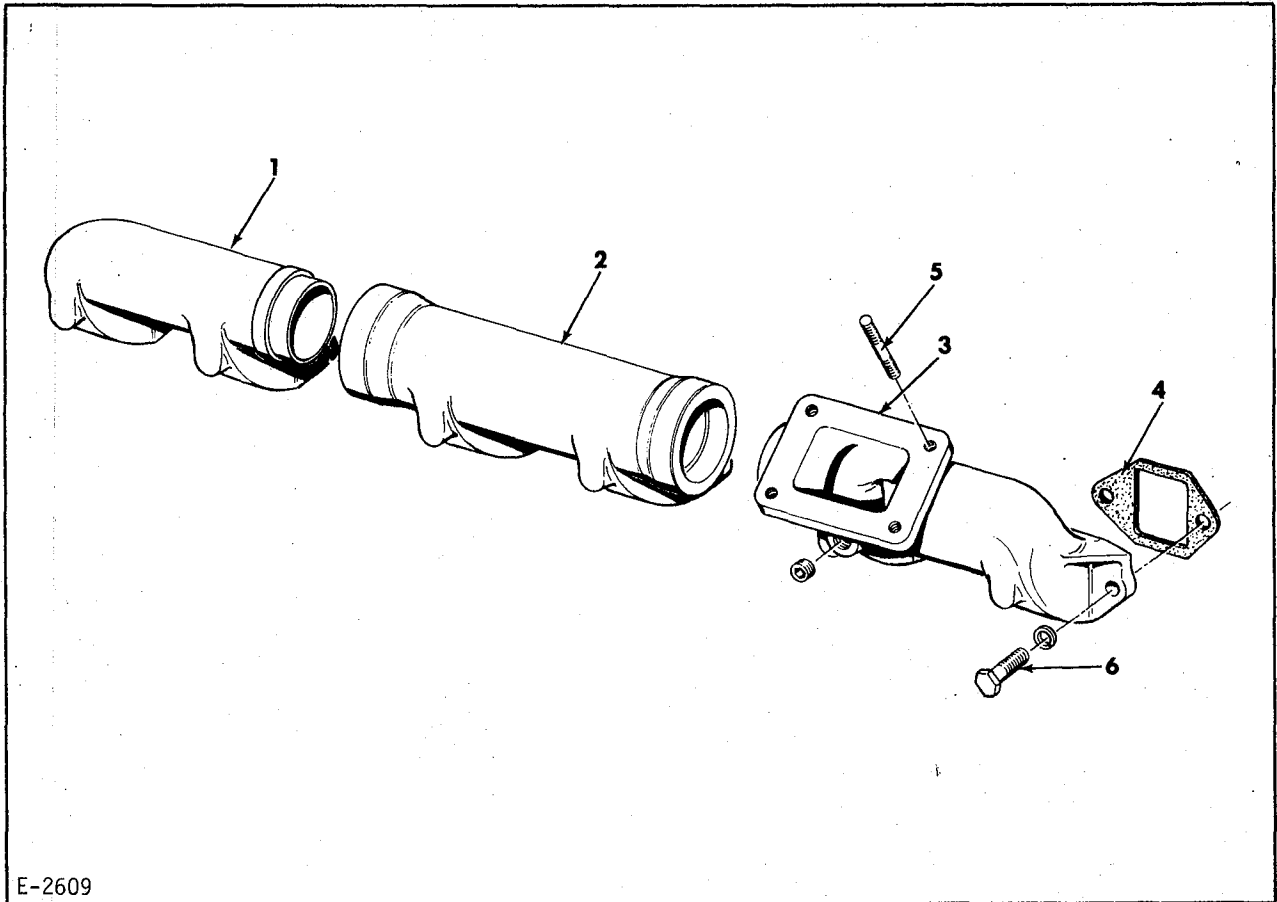
ITEM	PART NUMBER	QTY	DESCRIPTION	PACKAGE NO
1	4025690	1	FLANGE, INTAKE MANIFOLD TO CLEANER USED ON 3400 ENGINE	
	0916271	4	CAPSCREW, 3/8 NC X 1	
	0910287	4	LOCKWASHER, 3/8	
	0919840	1	PLUG, PIPE, HEX. HEAD, 1/4 NPTF	
	0920525	1	PLUG, PIPE, HEX. HEAD, 3/4 NPTF	
	4020880	1	PLUG, EXPANSION (AIR HTR OPENING)	
2	0239621	1	GASKET, FLANGE	
3	4026579	1	GASKET, INTAKE MANIFOLD.....4029572-7	
4	4027708	1	MANIFOLD, INTAKE (CENTER AIR INLET)(4029350)	
4	4027504	1	MANIFOLD, INTAKE (FRONT AIR INLET)	
	4020880	1	PLUG, EXPANSION (AIR HTR OPENING)	
	0919134	1	PLUG, PIPE, 1/8 NPTF	
	0919224	14	CAPSCREW, 3/8 NC X 1-1/8	
	0913544	14	WASHER, PLAIN, 13/32	
	0910287	14	LOCKWASHER, 3/8	
5	4512343	1	GASKET, HEATER ELEMENT.....4029572-7	
6	4516760	1	ELEMENT, AIR HEATER 12 V.	
6	4515187	1	ELEMENT, AIR HEATER 24V. (4029068) (4029069)	
7	0240 32	1	CABLE, SWITCH TO AIR HEATER	
8	0240401	1	BRACKET, HEATER SWITCH	
	0916269	1	CAPSCREW, 3/8 NC X 7/8	
	0910287	1	LOCKWASHER, 3/8	
9	4513207	1	SWITCH, HEATER, 24 VOLT (4029068) (4029069)	
9	0237134	1	SWITCH, HEATER, 12 VOLT	
	0916284	2	CAPSCREW, 1/4 NC X 1/2	
	0904204	2	LOCKWASHER, 1/4	
	0910880	2	NUT, 1/4 NC	
10	4025982	1	WIRE ASSY., STARTER TO SWITCH	
11	4446414	1	SWITCH, PUSH BUTTON	
12	4029042	1	FLANGE EXHAUST (USED ON 3400 ENGINE)	
	0913544	4	WASHER	
	4255977	4	NUT	
13	4025781	1	GASKET, FLGE.....4029572-7	
14	4025720	1	MANIFOLD, EXH. REAR	
15	4028795	1	MANIFOLD, EXH. CENTER	
	0917425	1	PLUG, PIPE 1/4 NPTF	
16	4025719	1	MANIFOLD EXH. FRONT	
17	4027014	6	GASKET, EXH. MANIFOLD.....4029572-7	
18	4513701	4	STUDS	

REF 4028491, 4029113, 4029114, 4029557, 4029558 (CONTINUED)
INTAKE & EXHAUST MANIFOLD AND AIR HEATER
(4029068) (4029069) (4029350) (4035086)

ITEM	PART NUMBER	QTY	DESCRIPTION	PACKAGE NO
19	4371107	12	WASHER	
19	4027042	12	CAPSCREW, EXH. MANIFOLD	

NOTE- ITEMS 1&2, 12&13 ARE PECULIAR TO MDL 3400 ENGINE

*OMISSION GROUP 4035086 PROVIDES FOR
FACTORY REMOVAL OF AIR HEATER EQUIPMENT

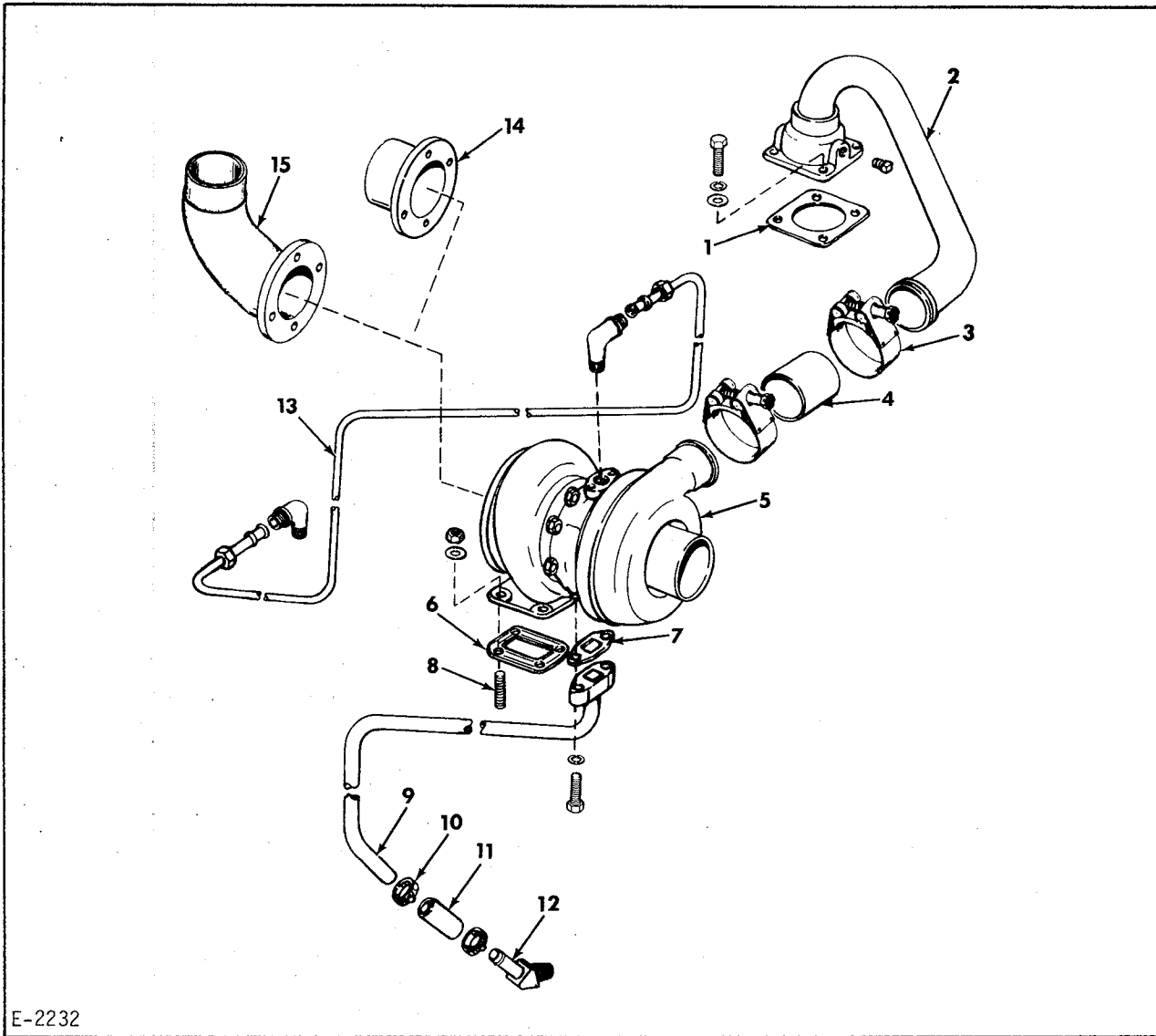


E-2609

REF. 4028930
 EXHAUST MANIFOLD
 (FRONT MOUNTED TURBOCHARGER)

ITEM	PART NUMBER	QTY	DESCRIPTION	PACKAGE NO
1	4025720	1	MANIFOLD, EXH. REAR	
2	4027505	1	MANIFOLD, EXH CENTER	
3	4027529	1	MANIFOLD, EXH FRONT	
	0917425	1	PLUG, PIPE 1/4 NPT	
4	4027014	6	GASKET, EXH MANIFOLD.....	4029572
5	4513701	4	STUDS	
6	4027042	12	CAPSCREW	
6	4371107	12	WASHER	

NOTE- OPTIONAL EQUIPMENT GROUP 4029350
 PROVIDES FOR FACTORY REMOVAL
 AND APPLICATION OF EXHAUST MANIFOLD
 CITED ON PRECEDING PAGE



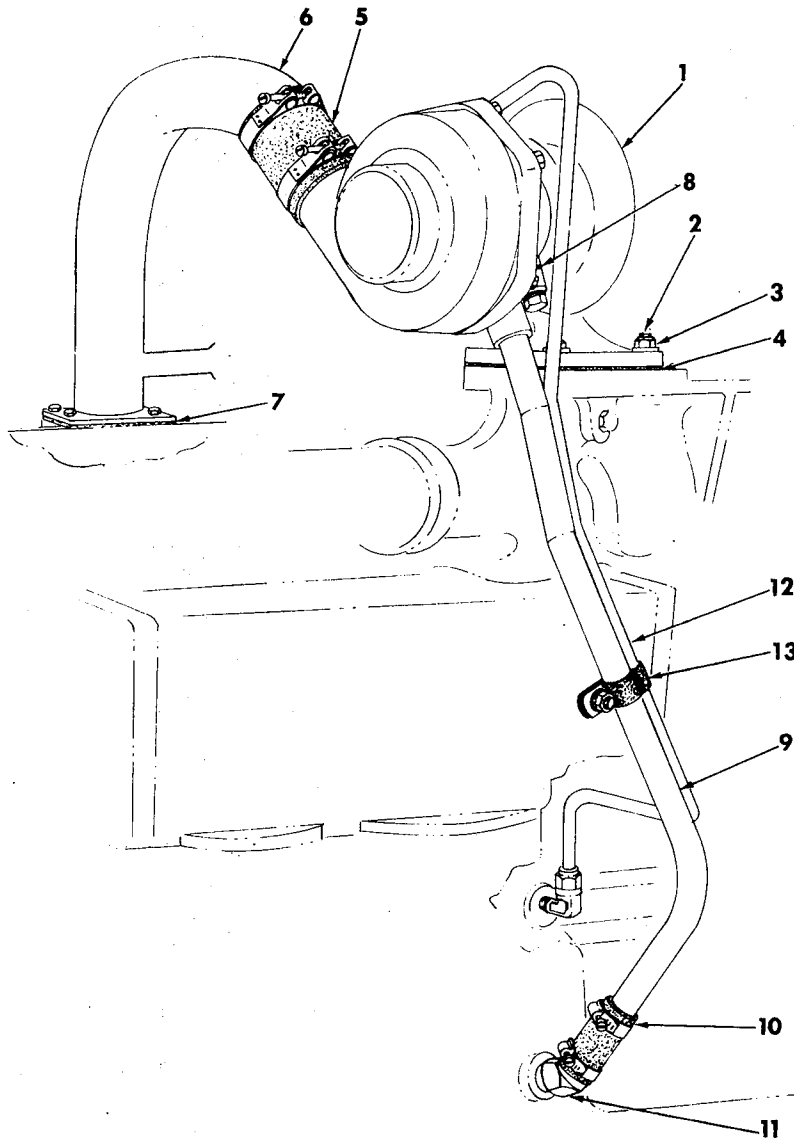
E-2232

REF 4028928
 TURBOCHARGER, FRONT MOUNTED
 (4027874)

ITEM	PART NUMBER	QTY	DESCRIPTION	PACKAGE NO
1	4025376	1	GASKET.....	4029572-7
2	4028527	1	TUBE ASSY., AIR CROSSOVER	
	0916271	4	CAPSCREW, 3/8 NC X 1	
	0910287	4	LOCKWASHER, 3/8	
	0919840	1	PLUG, PIPE, 1/4 PT	
3	0927140	2	CLAMP, HOSE	
4	4027975	1	HOSE, TUBE TO TURBOCHARGER	
5	4029207	1	TURBOCHARGER KIT., (WITH INSTR. SHEET)	
	4255977	4	NUT, TURBO MOUNTING STUD	
	0913544	4	WASHER, PLAIN	
6	4025781	1	GASKET, TURBO.....	4029572-7
7	4339532	1	GASKET, CIL DRAIN.....	4029572-7

REF 4028928 (CONTINUED)
 TURBOCHARGER, FRONT MOUNTED
 (4027874)

ITEM	PART NUMBER	QTY	DESCRIPTION	PACKAGE NO
8	-----	4	STUDS- REFER TO EXHAUST MANIFOLD	
9	4028995	1	TUBE ASSY., TURBO OIL DRAIN	
	0919224	2	CAPSCREW, 3/8 NC X 1-1/8	
	0910287	2	LOCKWASHER 3/8	
10	0922660	2	CLAMP, HOSE	
11	4027719	1	HOSE, DRAIN	
12	0927476	1	FITTING, HOSE CONN. 45 DEG.	
13	4028993	1	TUBE ASSY., OIL FEED (INCL. NUTS & SLEEVES)	
	4255983	1	SLEEVE, TURBO END	
	0917807	1	SLEEVE, BLOCK END	
	0917810	2	NUT	
	0920280	1	ELBOW 90 DEG. (AT TURBO)	
	0920790	1	ELBOW 90 DEG.(AT OIL GALLERY IN BLOCK)	
14	4027742	1	FLANGE, EXH. OUTLET	
	0921076	3	CAPSCREW, 3/8 NC X 1-1/4	
	0239400	4	LOCKNUT, 3/8 NC	
	0919224	1	CAPSCREW 3/8 NC X 1-1/8	
15	0244418	1	ELBOW 3 IN. OD. (IN LIEU OF ITEM 14) (4027874)	
16	4029238	2	CLAMP, TUBE (NOT ILLUSTRATED)	
	0916284	1	CAPSCREW, 1/4 NC X 1/2	
	0904204	1	LOCKWASHER, 1/4	
	0910880	1	NUT, 1/4 NC	



E-2233

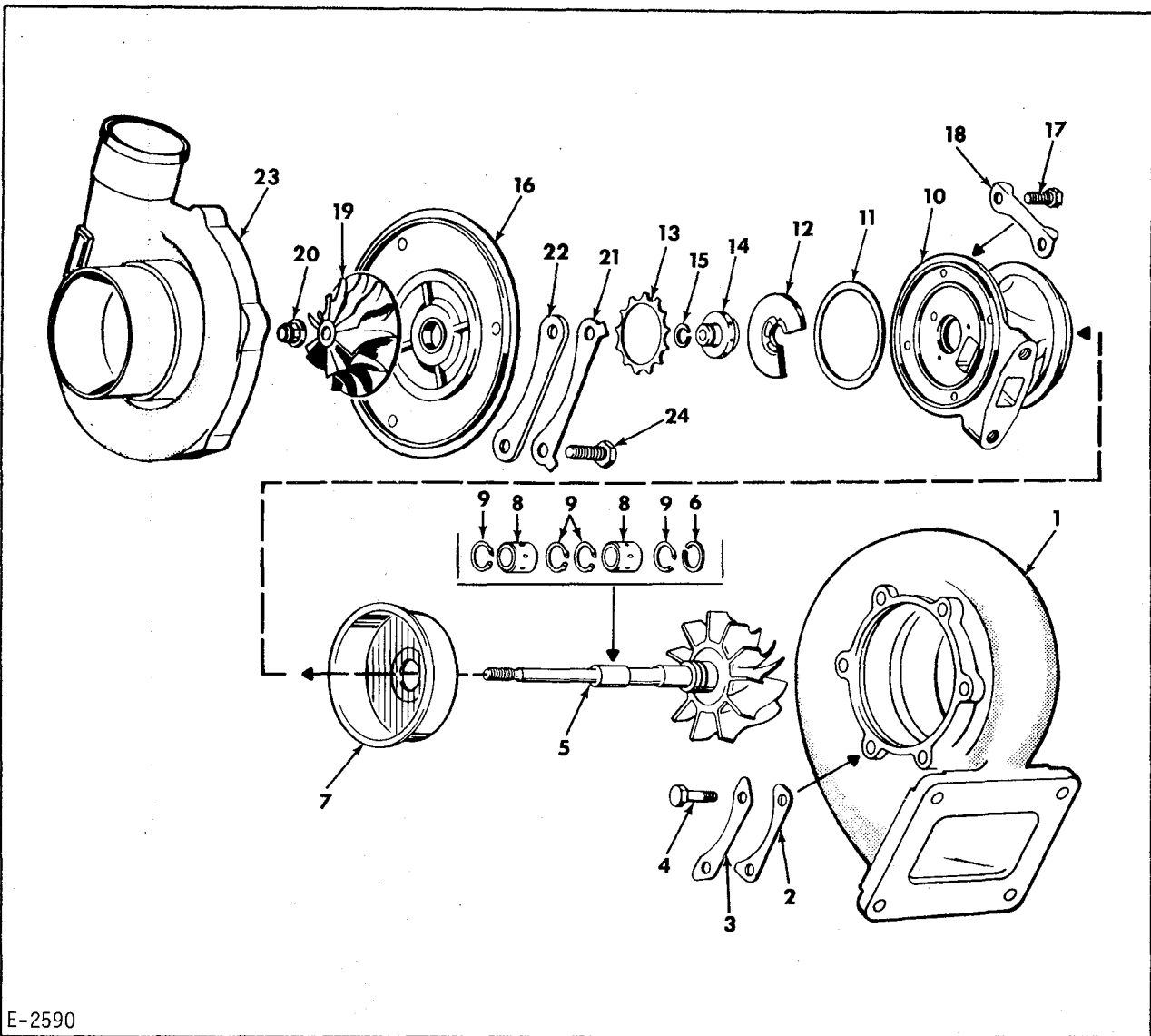
REF 4028926
 TURBOCHARGER, CENTER MOUNTED
 (4029350)

ITEM	PART NUMBER	QTY	DESCRIPTION	PACKAGE NO
1	4029207	1	TURBOCHARGER KIT (WITH INSTR. SHEET)	
	-----	4	STUD, MOUNTING (SEE EXH. MFD.)	
2	0913544	4	WASHER, PLAIN	
3	4255977	4	NUT, STAINLESS, 3/8 NC	
4	4025781	1	GASKET, TURBOCHARGER MOUNTING.....4029572-7	
5	4027975	1	HOSE, TUBE TO TURBOCHARGER	
	0927140	2	CLAMP, HOSE	
6	4027714	1	TUBE, AIR CROSS-OVER (USE W/O AIR COMP.)	
6	4027765	1	TUBE, AIR CROSS-OVER (w/AIR C. CONN.(4029350)	
	0916269	4	CAPSCREW, 3/8 NC X 7/8	
	0910287	4	LOCKWASHER, 3/8	

REF 4028926 (CONTINUED)
 TURBOCHARGER, CENTER MOUNTED
 (402935C)

ITEM	PART NUMBER	QTY	DESCRIPTION	PACKAGE NO
7	4025376	1	GASKET, AIR CROSSOVER TUBE.....	4029572-7
8	4339532	1	GASKET, OIL DRAIN LINE.....	4029572-7
9	4029233	1	TUBE, OIL DRAIN LINE	
	0919224	2	CAPSCREW, 3/8 NC X 1-1/8	
	0910287	2	LOCKWASHER, 3/8	
10	4027719	1	HOSE, OIL DRAIN LINE	
	0922660	2	CLAMP, HOSE	
11	0927476	1	FITTING, HOSE CONNECTING, 45 DEG.	
12	4029235	1	TUBE ASSY., OIL FEED (INCLUDES NUTS AND SLEEVES INDENTED BELCW)	
	0917810	2	NUT, 3/8 TUBE	
	0917807	1	SLEEVE, 3/8 TUBE (LOWER)	
	4338301	1	SLEEVE, 3/8 TUBE (UPPER)	
	0920280	1	ELBOW, 90 DEG., 3/8 TUBE, 1/4 NPT MALE AT TURBO	
	0920790	1	ELBOW, 90 DEG. (AT CYLINDER BLOCK)	
13	4029238	2	CLAMP, TUBE	
	0916284	1	CAPSCREW, 1/4 NF X 1/2	
	0904204	1	LOCKWASHER, 1/4	
	0910880	1	NUT, 1/4 NF	

NOTE- OPTL GP 4029350 ALSO INCLUDES EXHAUST DIFFUSER GP. 4025936 AND AIR COMPRESSOR AIR INLET TUBE 4025603.



E-2590

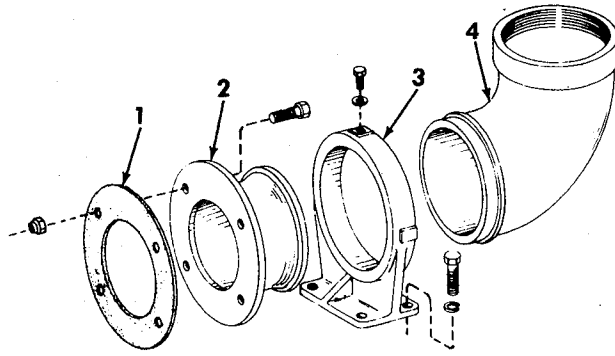
TURBOCHARGER ASSEMBLY
4029207

ITEM	PART NUMBER	QTY	DESCRIPTION	PACKAGE NO
NOTE- SERVICE TURBOCHARGER KIT FOR PRODUCTION NUMBERS (4029144) (4029145) (4029146) (4029700)				
-	4029207	1	TURBOCHARGER KIT (INCLUDES BASIC TURBOCHARGER AND INSTRUCTIONS.)	
1	4060950	1	HOUSING KIT, TURBINE	
2	4059990	3	CLAMP	
3	4059991	3	LOCKPLATE, TURBINE HOUSING BOLTS	
4	4059998	6	BOLT, TURBINE HOUSING	
5	4060011	1	SHAFT AND TURBINE WHEEL	
6	4060936	1	RING, SEALING, TURBINE WHEEL SHAFT	
7	4059997	1	SHROUD, TURBINE HOUSING	

TURBOCHARGER ASSEMBLY (CONTINUED)
4029207

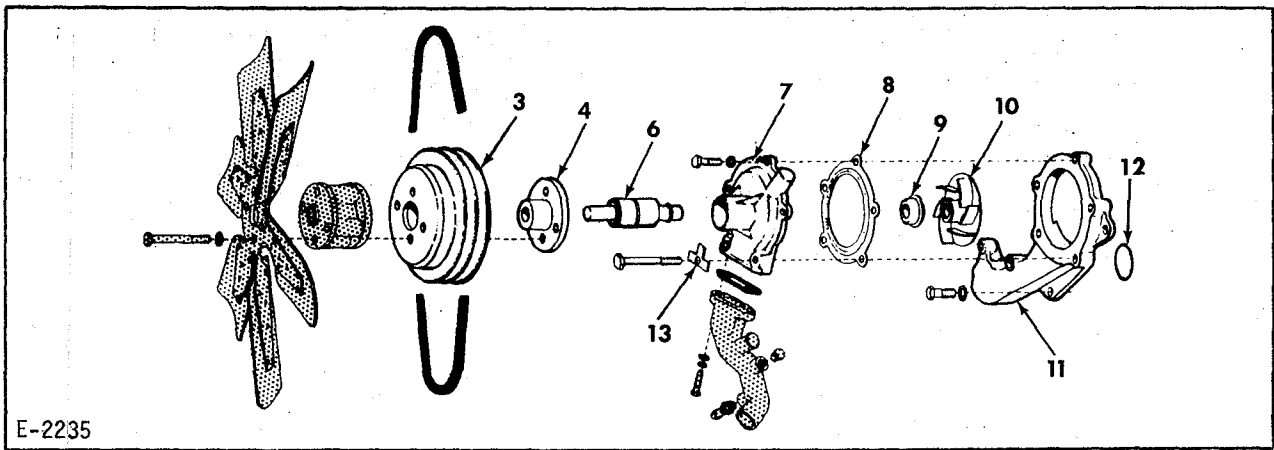
ITEM	PART NUMBER	QTY	DESCRIPTION	PACKAGE NO
8	4060935	2	BEARING, TURBINE SHAFT	
9	4060726	4	RING, SNAP, BEARING RETAINING	
10	4060940	1	HOUSING KIT, CENTER (INCLUDES PIN)	
	4053422	2	PIN, SPRING, STAINLESS, 3/32 X 1/4	
11	4056300	1	RING, SEALING, COMPRESSOR HOUSING	
12	4060939	1	BEARING, THRUST	
13	4059987	1	SPRING, THRUST BEARING	
14	4059988	1	COLLAR, THRUST	
15	4059984	1	RING, SEALING, THRUST COLLAR	
16	4060945	1	BACKPLATE ASSY.	
17	0928202	4	BOLT, ATTACHING	
18	4059992	2	LOCKPLATE	
19	4060944	1	WHEEL, COMPRESSOR	
20	4059993	1	NUT, TURBINE SHAFT	
21	4060949	3	LOCKPLATE	
22	4060948	3	CLAMP	
23	4060947	1	HOUSING, COMPRESSOR	
24	0920787	6	BOLT, COMPRESSOR HOUSING	

E-2234



DIFFUSER, EXHAUST OUTLET
(4025936) (4029350)

ITEM	PART NUMBER	QTY	DESCRIPTION	PACKAGE NO
1	4338943	1	GASKET, DIFFUSER.....	4029572-7
2	4025922	1	DIFFUSER, EXHAUST	
	0919224	1	CAPSCREW, DIFFUSER, 3/8 NC X 1-1/8	
	0916272	3	CAPSCREW, DIFFUSER, 3/8 NC X 1-1/4	
	0239400	4	NUT, LOCK, 3/8 NC	
3	4028953	1	RING, DIFFUSER	
	0918683	4	CAPSCREW, 1/2 NC X 1-1/8	
	0904208	4	LOCKWASHER, 1/2	
	0920469	1	SETSCREW, 3/8 NC X 3/4	
	0912772	1	NUT, JAM, 3/8 NC	
4	4025925	1	ELBOW, EXH. OUTLET	



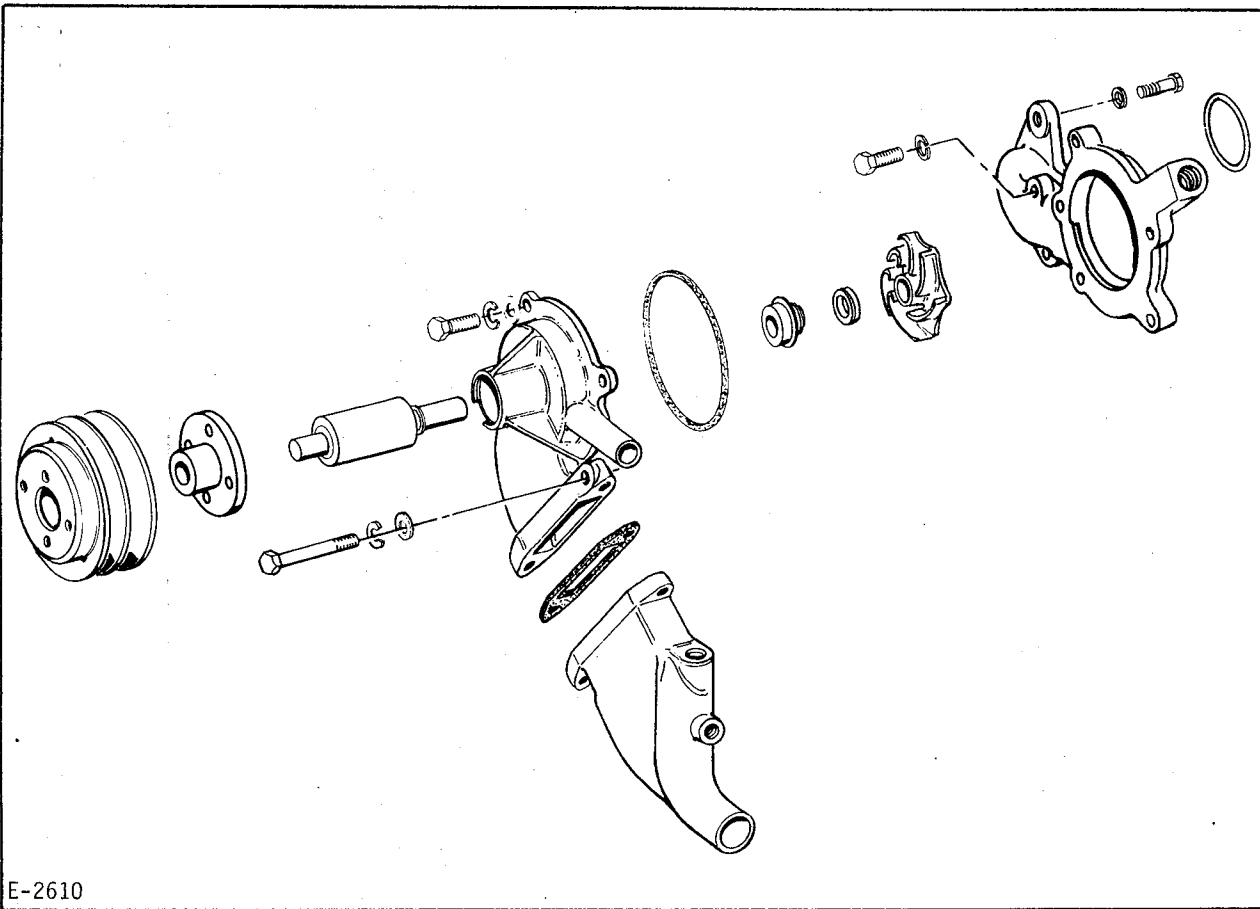
E-2235

REF 4028907, 4029344
WATER PUMP

ITEM	PART NUMBER	QTY	DESCRIPTION	PACKAGE NO
1	4029490	1	PUMP ASSY., WATER (INCL. ITEMS 4 THRU 7, 9 & 10 USED ON ENGINE 4028883 SEE NOTE 1	
1	4029488	1	PUMP ASSY., WATER (INCL. ITEMS 4 THRU 7, 9 & 10 USED ON ENGINE 4028880-SEE NOTE 1	
	0919224	2	CAPSCREW, 3/8 NC X 1-1/8	
	0910948	1	CPS., 3/8 NC X 2 (USE WITH 4029490 ONLY	
	0919227	1	CAPSCREW, 3/8 NC X 3-1/4	
	0910287	3	LOCKWASHER, 3/8	
2	-----	*	SEE FAN ASSY.	
3	4028447	1	PULLEY, WATER PUMP	
4	4025068	1	HUB, PULLEY, FOR PUMP 4029488	
4	4029020	1	HUB, PULLEY, FOR PUMP 4029490	
5	-----	*	DELETE	
6	-----	1	SHAFT, BEARING & SLINGER ASSY., NOT SERVICED SEPARATELY).....4029506-5	
7	4029129	1	BODY, WATER PUMP	
8	4026887	1	GASKET, WATER PUMP TO VOLUTE.....4029506-5	
9	4025710	1	SEAL ASSY., WATER PUMP.....4029506-5	
10	4025067	1	IMPELLER ASSY.....4029506-5	
11	4025528	1	VOLUTE, WATER OUTLET	
	0919224	3	CAPSCREW, 3/8 NC X 1-1/8	
	0910287	4	LOCKWASHER, 3/8	
	0910948	1	CAPSCREW, 3/8 NC X 2	
12	0923684	1	O-RING, 2-1/16 ID.....4029506-5	
13	4025139	2	WASHER, TAB	

NOTE- 1. REFER TO PACKAGE PARTS FOR PUMP KITS
WHICH INCLUDE MOUNTING GASKETS

NOTE- 2. PUMP AY 4029488 WAS ALSO USED ON
ENGINE 4028881 PRIOR TO S/N 3018118



E-2610

REF 4029807
 WATER PUMP
 (4029577) (4035164)

ITEM	PART NUMBER	QTY	DESCRIPTION	PACKAGE NO
1	4035145	1	PUMP ASSY., WATER (AFTER SN 3D26470) USED ON ENGINES 4028881, 4028884	
	0919224	3	CAPSCREW, 3/8 NC X 1 1/8	
	0918829	1	CAPSCREW, 3/8 NC X 3 1/4	
	0910287	3	LOCKWASHER	
2	-----	1	BODY-NOT SERVICED	
3	-----	1	SHAFT, BEARING AY. 4035204
4	4025068	1	HUB, PULLEY	
5	4025710	1	SEAL AY.....	4035204
6	4029320	1	FACE AY., SEAL.....	4035204
7	-----	1	IMPELLER.....	4035204
8	0923971	1	O-RING, PUMP TO VOLUTE	
9	4029322	1	VOLUTE	
	0918829	1	CAPSCREW 3/8 NC X 3 1/4	
	0929996	2	CAPSCREW 3/8 NC X 1 5/8	
10	0923684	1	O-RING	
11	4028447	1	PULLEY, 1.24:1 DRIVE RATIO REQUIRED IN BASIC ENGINE	

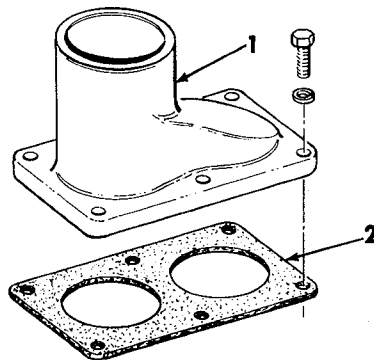
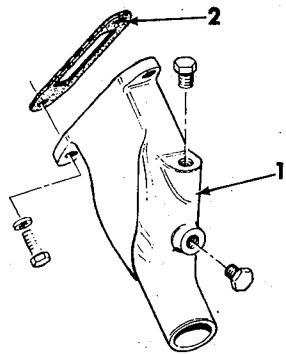
NOTE: PUMP 4035145 ALSO REPLACES 4029317 USED ON ENGINE 4028881
 FROM SN 3D18118 THRU SN 3D26470

REF 4029807 (CONTINUED)
WATER PUMP
(4029577) (4035164)

ITEM	PART NUMBER	QTY	DESCRIPTION	PACKAGE NO
12	4029329	1	PULLEY, 1:1 DRIVE RATIC (4029577) (4035164) THIS PULLEY REQUIRES A CHANGE IN ALTERNATOR BELT	

NOTE- 1. REFER TO PACKAGE PARTS FOR PUMP KIT
WHICH INCLUDES MOUNTING GASKETS

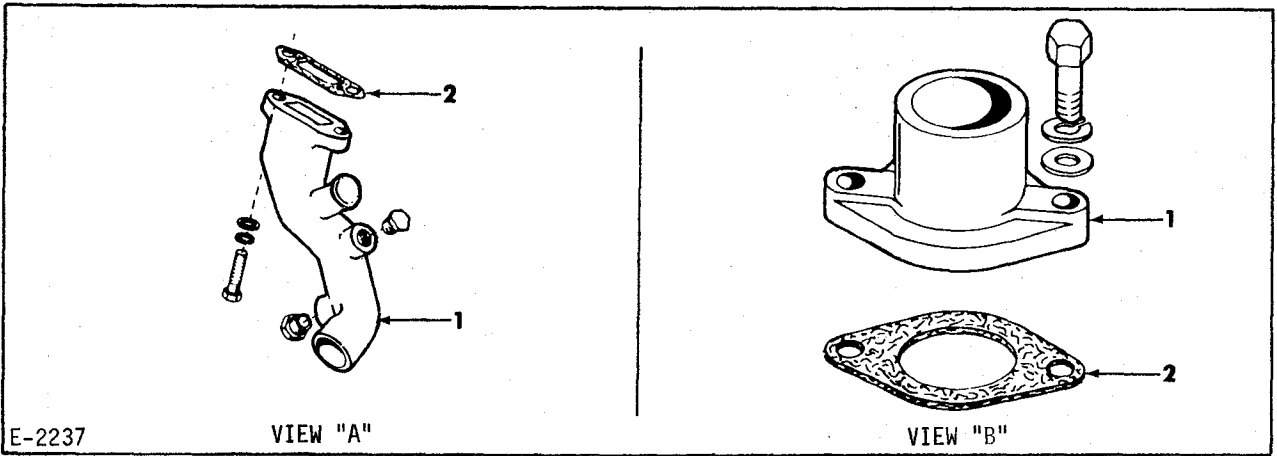
E-2611



REF 4029809, 4029386
 WATER INLET AND OUTLET PIPES
 2 INCH I.D.

ITEM	PART NUMBER	QTY	DESCRIPTION	PACKAGE NO
1	4029772	1	PIPE, WATER INLET (VIEW A)	
	0916191	2	CAPSCREW, 7/16 NC X 1 1/2	
	0904207	2	LOCKWASHER	
	0920416	2	PLUG, PIPE 1/2 HX. HD.	
2	4029327	1	GASKET.....	4029572
1	4029323	1	FLANGE-WATER OUTLET (VIEW B)	
	0914392	6	CAPSCREW, 5/16 NC X 1	
	0904205	6	LOCKWASHER	
2	4029324	1	GASKET.....	4029572

NOTE- 1. PROVIDED ON ENGINE 4028881 AFTER S/N 3C18117
 AND ON ENGINE 4028884

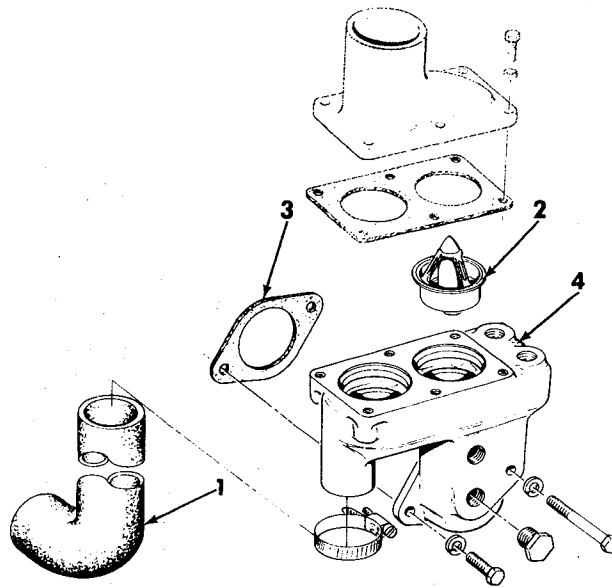


REF 4025110, 4027942, 4029118
 WATER INLET AND WATER OUTLET PIPES

ITEM	PART NUMBER	QTY	DESCRIPTION	PACKAGE NO
1	4027247	1	PIPE, WATER INLET (VIEW A)	
	0914847	2	CAPSCREW, 3/8 NC X 1-1/2	
	0913544	2	WASHER, PLAIN, 13/32	
	0910287	2	LOCKWASHER, 3/8	
	0920416	2	PLUG, PIPE, 1/2 HEX HEAD	
2	4025106	1	GASKET, INLET PIPE.....	4029572-7
1	4021152	1	FLANGE, WATER OUTLET (VIEW B)	
	0916197	2	CAPSCREW, 7/16 NC X 1-1/4	
	0904207	2	LOCKWASHER, 7/16	
	0914498	2	WASHER, PLAIN, 7/16	
2	4025101	1	GASKET, CUTLET FLANGE.....	4029572-7

NOTE- PROVIDED ON ENGINES 4028880, 4028883, AND ON ENGINE
 4028881 PRIOR TO S/N 3D18118

E-2612

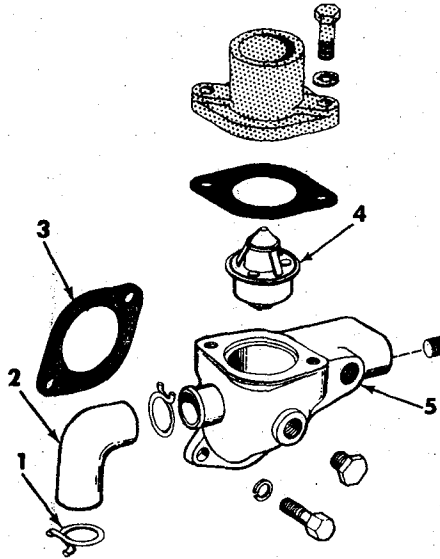


REF 4029942
THERMOSTATS AND HOUSING

ITEM	PART NUMBER	QTY	DESCRIPTION	PACKAGE NO
1	4352409	1	HOSE, BY-PASS	
	4255093	2	CLAMP	
2	4025103	2	THERMOSTAT	
3	4025101	1	GASKET.....	4029572
4	4035306	1	HOUSING, THERMOSTAT (REPLACES 4029330)	
	0916197	1	CAPSCREW, 7/16 X 1 1/4	
	0916868	1	CAPSCREW, 7/16 X 3 1/4	
	0904207	2	LOCKWASHER	
	0920416	3	PLUG, PIPE 1/2 HX. HD.	

PROVIDED ON ENGINE 4028881 AFTER S/N 3D18117
AND ON ENGINE 4028884

E-2236

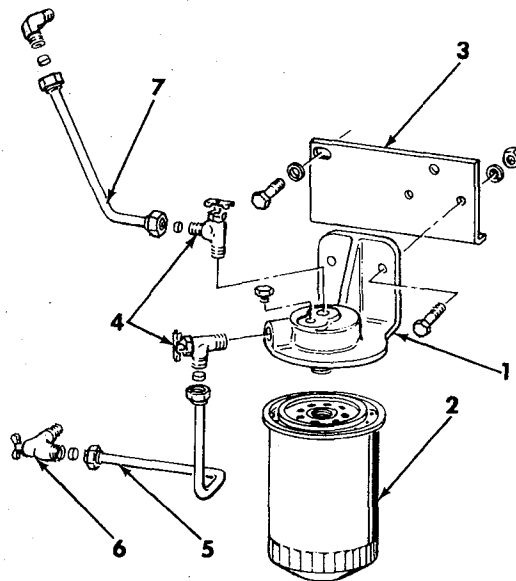


REF 4029505
THERMOSTAT & HOUSING

ITEM	PART NUMBER	QTY	DESCRIPTION	PACKAGE NO
1	4255528	2	CLAMP, HOSE	
2	4025594	1	HOSE, BY-PASS	
3	4025101	1	GASKET, THERMOSTAT HOUSING.....	4029572-7
4	4025103	1	THERMOSTAT	
5	4029459	1	HOUSING, THERMOSTAT	
	0919228	2	CAPSCREW, 7/16 NC X 1-1/8	
	0904207	2	LOCKWASHER, 7/16	
	0920416	3	PLUG, PIPE, 1/2 HEX. HEAD	
	0904223	1	PLUG, PIPE, 1/2 CCOUNTERSUNK SQ. SOCKET	
	0920333	1	PLUG, PIPE, 3/8	

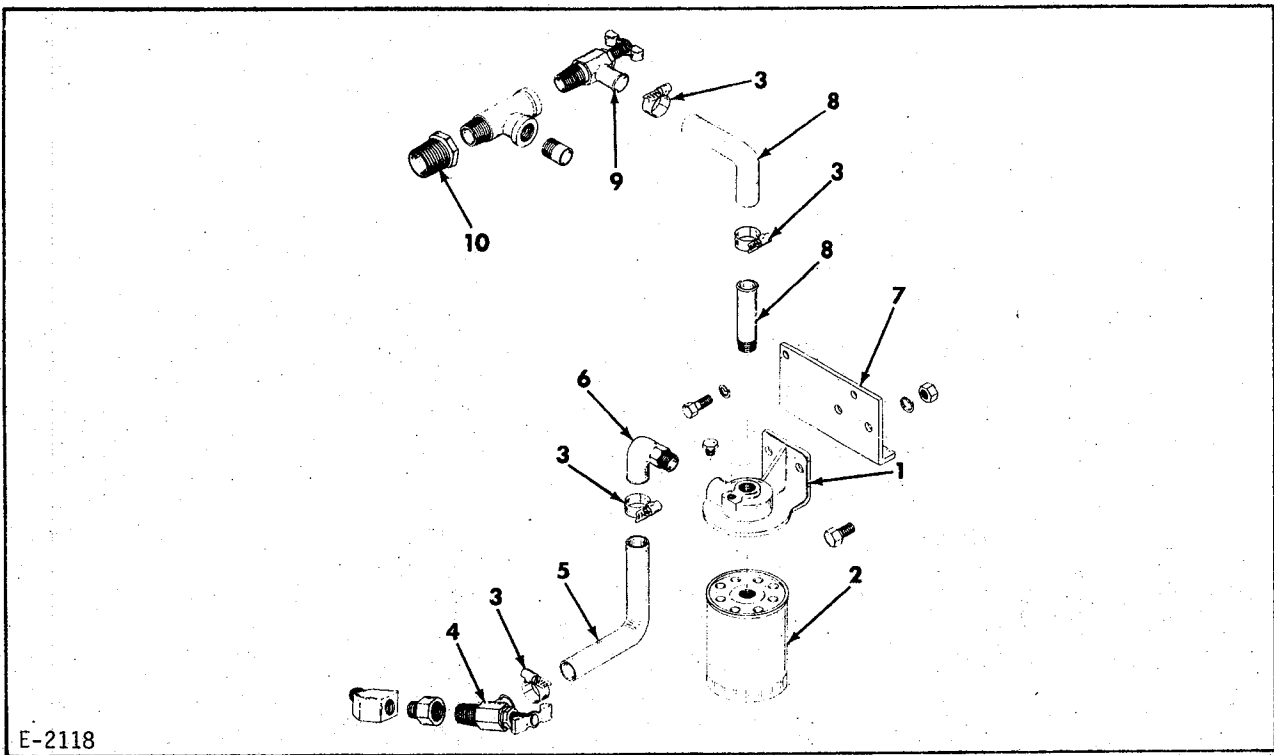
NOTE- PROVIDED ON ENGINES 4028880, 4028883
AND ON ENGINE 4028881 PRIOR TO SN 3D18118

E-2613



REF 4029850, 4029851, 4035129
 COOLANT FILTER, CONDITIONER
 SECOND TYPE-WITH TUBES

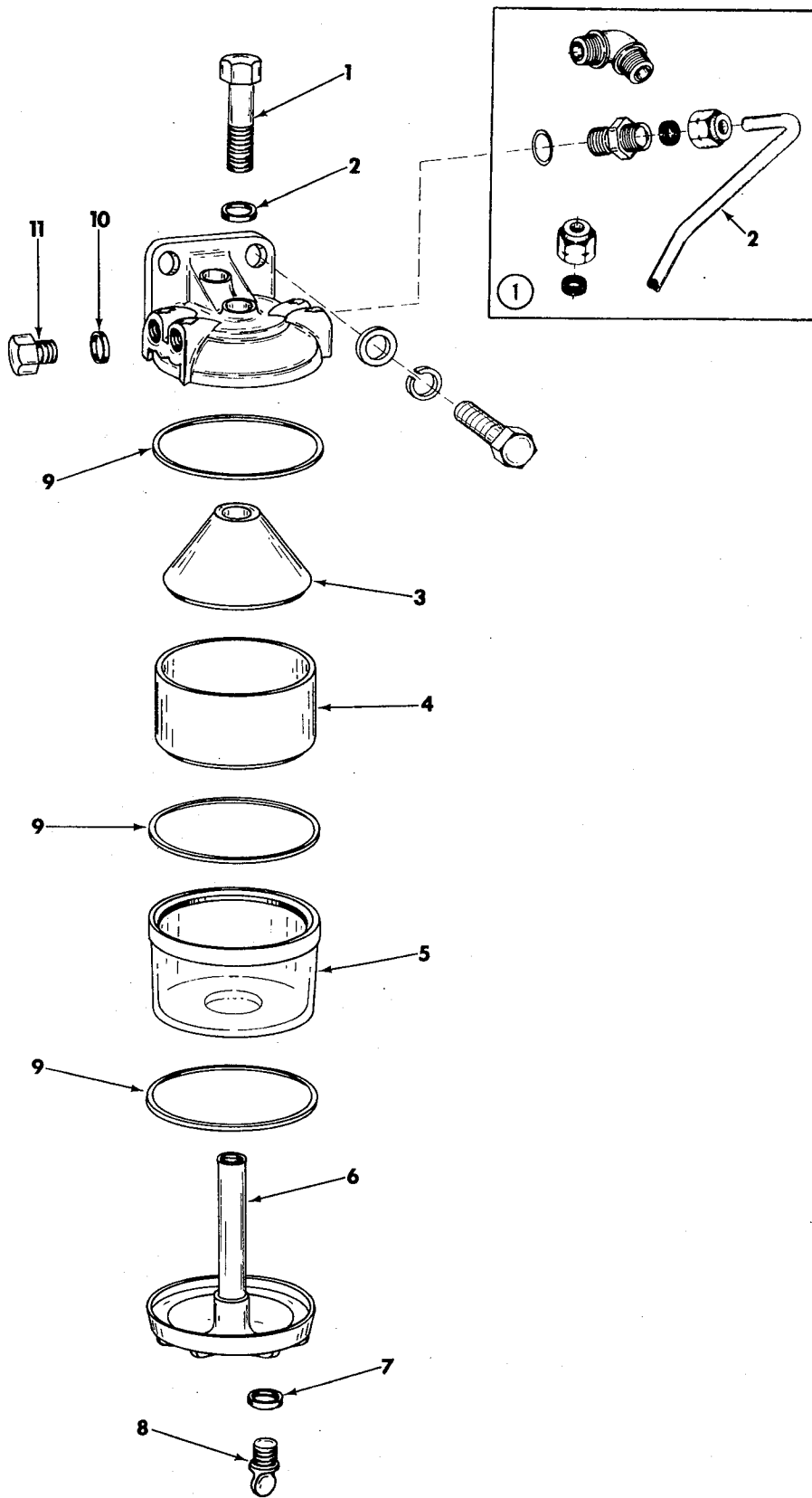
ITEM	PART NUMBER	QTY	DESCRIPTION	PACKAGE NO
1	4393427	1	BASE ASSY., FILTER	
	0916197	2	CAPSCREW, 7/16 NC X 1-1/4	
	0904207	2	LOCKWASHER	
	0912201	2	NUT	
	0919134	1	PLUG, PIPE, 1/8	
2	4029089	1	FILTER (ORIGINAL EQUIPMENT, ALL PURPOSE) (EXCEPT "DOWTHERM" 209)	
2	4029120	*	FILTER (CHROMATIC TYPE) FOR USE WITH "DOWTHERM" 209 ANTI-FREEZE	
3	4029586	1	BRACKET, MOUNTING	
	0916272	2	CAPSCREW, 3/8 NC X 1-1/2	
	0910287	2	LOCKWASHER	
4	0928947	2	VALVE ASSY., SHUT-OFF	
5	4029653	1	TUBE, INLET-ENGINE 4028883	
5	4029788	1	TUBE, INLET-ENGINES 4028880, 4028881 AND 4028884	
	0917807	2	SLEEVE	
	0917810	2	NUT, 3/8 TUBE	
6	4029694	1	VALVE ASSY., SHUT-OFF	
7	4029875	1	TUBE, WATER OUTLET-ENGINE 4028880	
7	4035117	1	TUBE, WATER OUTLET-ENGINE 4028883	
7	4029792	1	TUBE, WATER OUTLET-ENGINES 4028881, 4028884	
	0917807	2	SLEEVE	
	0917810	2	NUT, 3/8 TUBE	
	0919005	1	ELBOW, IMPERIAL, 3/8 TUBE, 3/8 NPT EXCEPT ENGINES 4028888, 4028884	
	0928915	1	ELBOW, IMPERIAL, 3/8 TUBE, 1/2 NPT ENGINES 4028881-4028884	



E-2118

REF 4029086
 FIRST TYPE-FILTER (CONDITIONER) WITH HOSES
 PRIOR TO S/N 3D20329

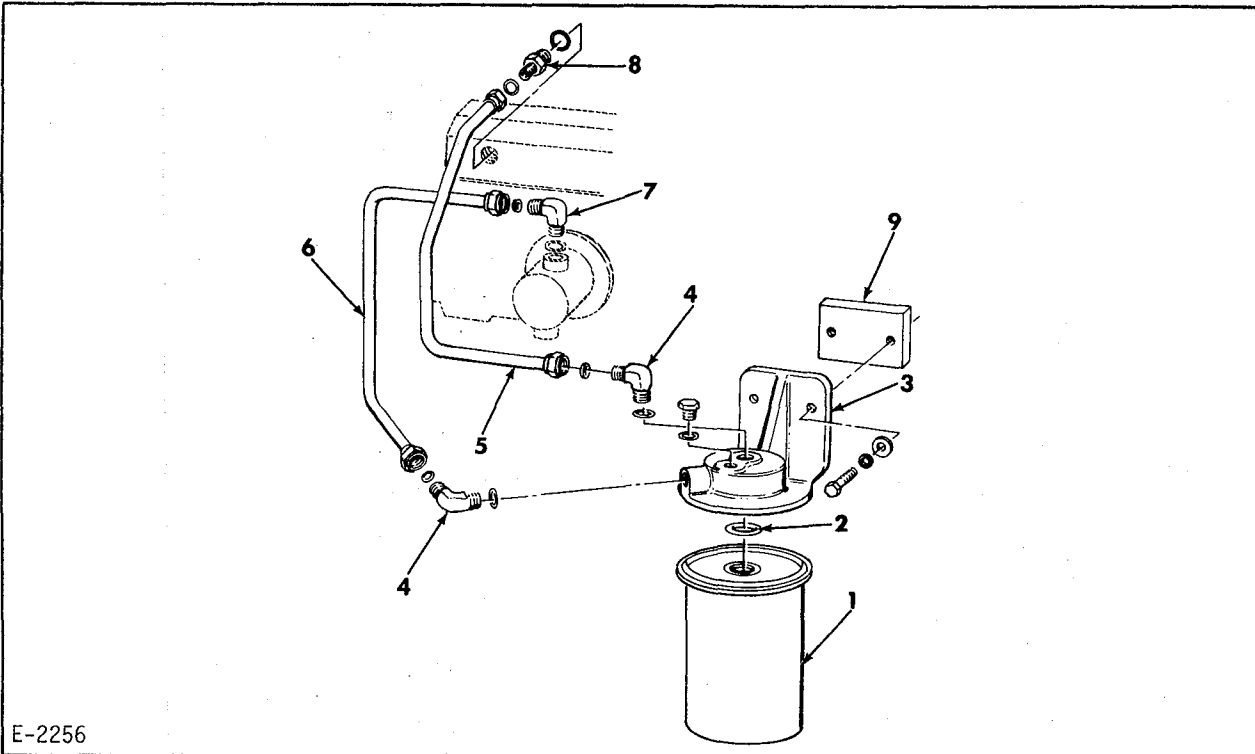
ITEM	PART NUMBER	QTY	DESCRIPTION	PACKAGE NO
1	4393427	1	BASE ASSY., FILTER	
	0916197	2	CAPSCREW, 7/16 NC X 1-1/4	
	0904207	2	LOCKWASHER, 7/16	
	0912201	2	NUT, 7/16 NC	
	0919134	1	PLUG, PIPE, 1/8 NPT	
2	4029089	1	FILTER, WATER (YEAR ROUND)	
2	4029120	*	FILTER, WATER (CHROMATE) FOR SERVICE WHEN REQUIRED.	
3	4254756	4	CLAMP, HOSE	
4	4255287	1	VALVE, ASSY., SHUT-OFF	
	0912483	1	ADAPTER, 3/8 X 1/4	
	0922967	1	ELBOW, 45 DEG., 1/4 NPT	
5	4029210	1	HOSE, INLET, 7 LG.	
6	4255286	1	ELBOW, 90 DEG., WATER INLET	
7	4029586	1	BRACKET, MOUNTING (ALSC REPLACES 4029087)	
	0916272	2	CAPSCREW, 3/8 NC X 1-1/2	
	0910287	2	LOCKWASHER, 3/8	
8	4029088	1	HOSE, WATER OUTLET (6-1/2 LG.)	
	0917026	1	NIPPLE, PIPE, 3/8 NPT X 1-1/2	
9	0089894	1	VALVE ASSY., SHUT-OFF	
10	0904271	1	BUSHING, REDUCER AT THERMCSTAT HSG.	



E-2253

WATER SEPARATOR
HIGH MOUNT 4028844
LOW MOUNT (4029377) (4035097)

ITEM	PART NUMBER	QTY	DESCRIPTION	PACKAGE NO
-	-----	*	HIGH MOUNT ADAPTION (4028844)	
1	4023654	1	FILTER ASSY., WATER SEPARATOR	
	0919224	2	CAPSCREW, 3/8 NC X 1-1/4	
	0910287	2	LOCKWASHER, 3/8	
	0916956	2	WASHER	
	4023720	1	ELBOW, AT FILTER (INCL 1 O-RING)	
	0921884	1	O-RING	
2	4029520	1	TUBE, TO TRANSFER PUMP	
	0917807	2	SLEEVE	
	0917810	2	NUT	
-	-----	*	LOW MOUNT ADAPTION (4029377) (4035097)	
1	4023654	1	FILTER ASSY., WATER SEPARATOR	
	0916274	2	CAPSCREW, 3/8 NC X 2-1/4	
	0910287	2	LOCKWASHER, 3/8	
	0916956	2	WASHER	
	4356598	2	SPACER	
	4023556	1	CONNECTOR @ FILTER (INCL 1 O-RING)	
	0921884	1	O-RING	
2	4029517	1	TUBE, TO TRANSFER PUMP	
	0917807	2	SLEEVE	
	0917810	2	NUT	
-	-----	*	FILTER ASSY. COMPONENTS 4023645	
1	4060747	1	BOLT, CENTER	
2	4060748	1	WASHER, CENTER BOLT	
3	-----	1	ELEMENT, SEDIMENTER (NCT SERVICED SEPARATELY)	
4	-----	1	BODY, SEDIMENTER (NOT SERVICED SEPARATELY)	
5	-----	1	BODY, AGGLOMERATOR	
6	-----	1	BASE, (INCL STUD) (NCT SERVICED SEPARATELY)	
7	4060751	1	WASHER, SEALING	
8	4060752	1	PLUG, DRAIN	
9	4060749	3	SEAL, COVER AND BASE	
10	4060753	1	WASHER, CLOSING PLUG	
11	4060754	1	PLUG, CLOSING	
12	-----	1	COVER, (NOT SERVICED SEPARATELY)	



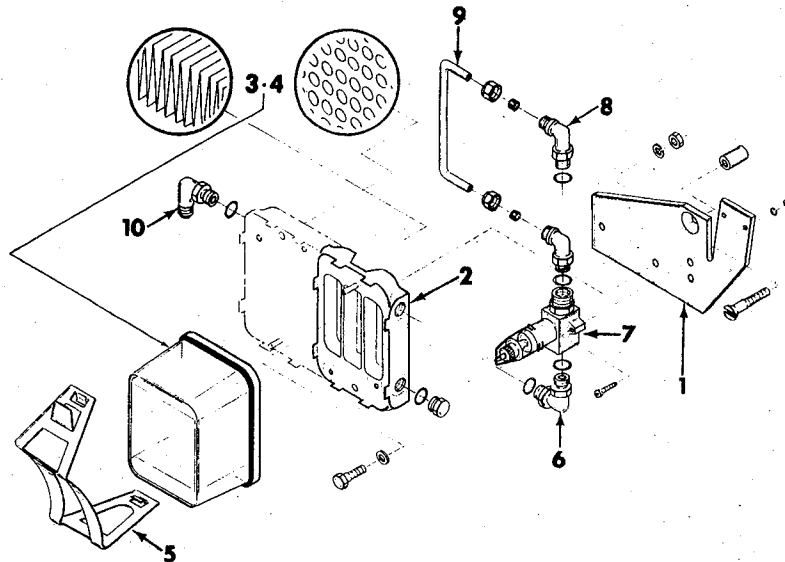
E-2256

REF 4029165
FUEL FILTER AND LINES

ITEM	PART NUMBER	QTY	DESCRIPTION	PACKAGE NO
1	4028945	1	ELEMENT, FUEL FILTER (INCLUDES ITEM 2)	
2	0923934	1	O-RING, FILTER ELEMENT	
3	4028802	1	BASE ASSY., FUEL FILTER	
	0920612	1	CAPSCREW 3/8 NF X 1/2	
	0918801	2	CAPSCREW, 7/16 NC X 5/8	
	0904207	2	LOCKWASHER, 7/16	
	0912298	2	WASHER, PLAIN, SAE STD., 7/16	
	4251367	1	WASHER, COPPER	
4	4023721	2	ELBOW, (INCL. 1EA O-RING)	
	0921885	2	O-RING	
5	4029251	1	TUBE, FILTER TO INJECTION PUMP SEE NOTE	
	0917807	2	SLEEVE, COMPRESSION	
	0917810	2	NUT, 3/8	
6	4029250	1	TUBE, FILTER TO TRANSFER PUMP	
	0917807	2	SLEEVE	
	0917810	2	NUT, 3/8	
7	4023720	1	ELBOW, TRANSFER PUMP (INCL. 1EA. O-RING)	
	0921884	1	O-RING	
8	4023556	1	CONNECTOR, (INCL. 1 EA. O-RING)	
	0921884	1	O-RING	
9	4025626	1	SPACER, BASE	

NOTE- ITEM 5 CHANGES WHEN UNIT IS EQUIPPED
WITH SAFETY CONTRLS AND FUEL VALVE

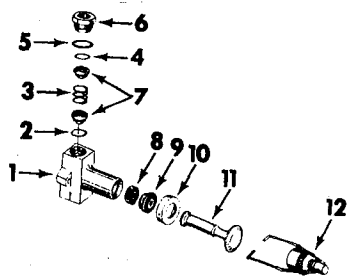
E-2260



REF 4029697
 FUEL FILTER AND HAND PRIMER
 FOR DISTRIBUTOR TYPE F I PUMP

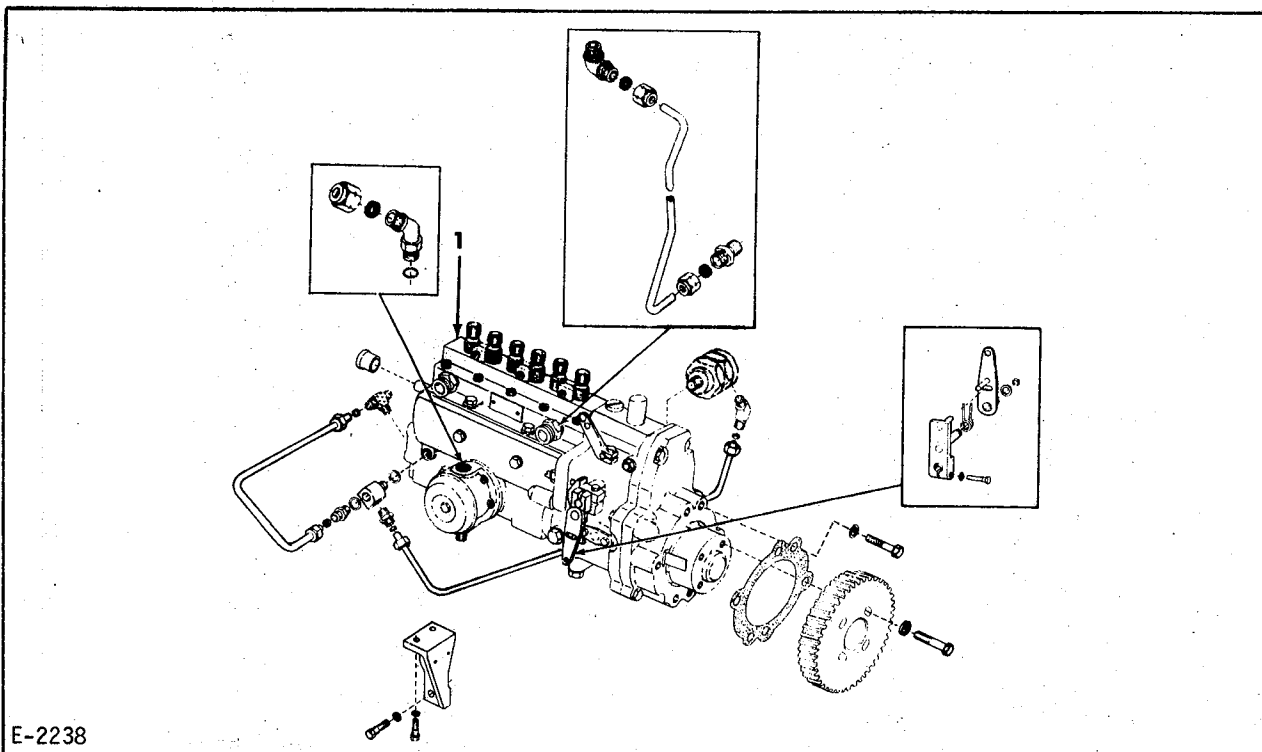
ITEM	PART NUMBER	QTY	DESCRIPTION	PACKAGE NO
1	-----	1	BRACKET, SEE OIL PAN	
	4029724	1	SPACER	
	0929711	1	SCREW, FLT. HD. SOCKET	
2	4024235	1	BASE (SINGLE ELEMENT)	
	0916271	2	CAPSCREW 3/8 NC X 1	
	0910287	2	LOCKWASHER	
	0918266	2	WASHER	
	0910324	2	NUT	
	0923167	3	PLUG-VENT AND DRAIN INCLUDES O-RING	
	0921884	3	O-RING	
3	4024232	1	FILTER, FUEL	
5	4024237	1	CLAMP (1 TO A UNIT)	
6	4024215	1	ELBOW (INCL. 2 O-RING)	
	0921884	2	O-RING	
7	4024229	1	PUMP, HAND PRIMER	
	0914081	2	CAPSCREW #10-32X1	
	0904203	2	LOCKWASHER	
	0917415	2	NUT	
8	4023720	2	ELBOW, (INCL O-RING)	
	0921884	2	O-RING	
9	4029588	1	TUBE	
	0917807	2	SLEEVE	
	0917810	2	NUT	
10	0927055	1	ELBOW, INLET (INCL O-RING)	
	0921884	1	O-RING	

E-2261



HAND PRIMER PUMP ASSEMBLY
4024229

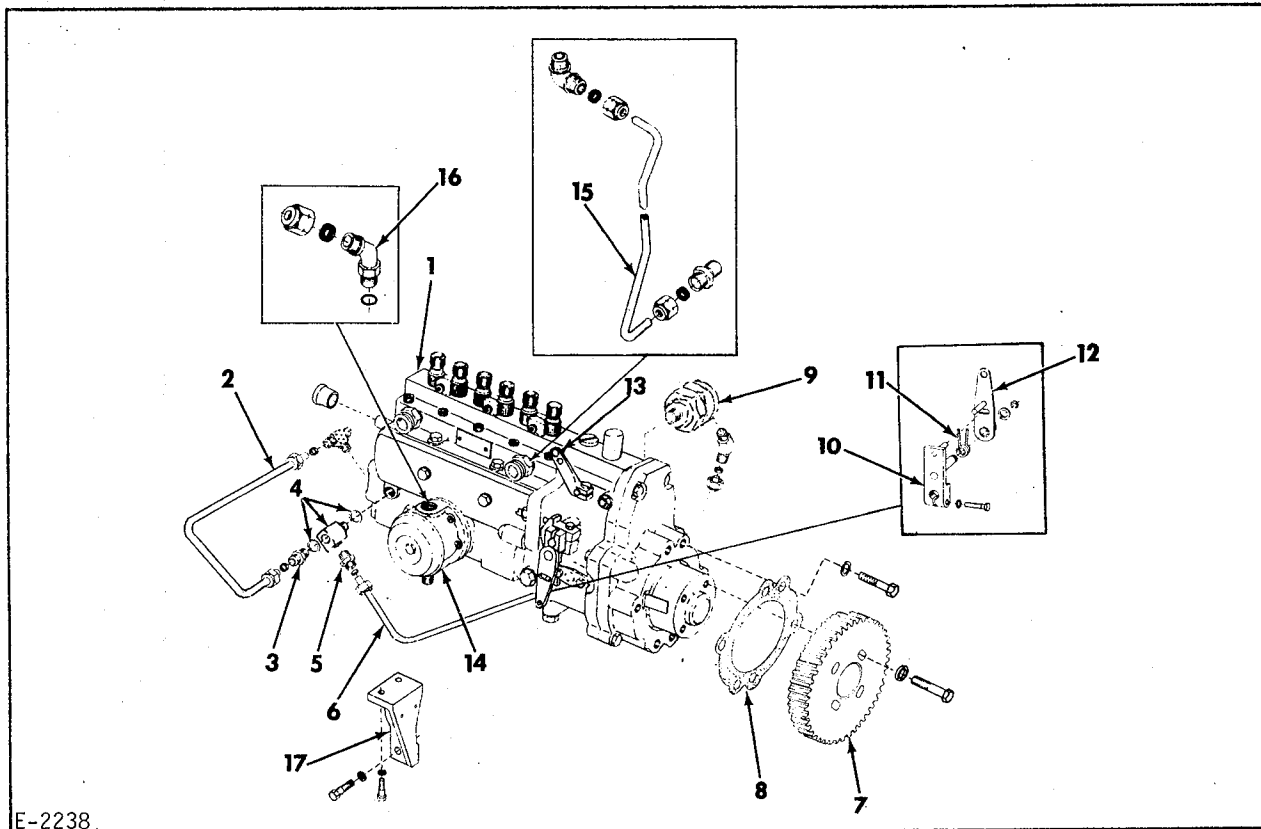
ITEM	PART NUMBER	QTY	DESCRIPTION	PACKAGE NO
1	-----	1	BODY, PUMP (NOT SERVICED SEPARATELY)	
2	4060695	1	O-RING	
3	4050638	1	SPRING, VALVE RETAINER	
4	4048649	1	SEAL, VALVE NUT (INNER)	
5	4050645	1	RING, SEAL, VALVE NUT	
6	4060956	1	NUT, VALVE	
7	4050637	2	VALVE, PRIMER PUMP	
8	4053035	1	SEAL, PISTON	
9	4053037	1	GUIDE, PLUNER	
10	4059620	1	CAP, GUIDE RETAINER	
11	4053036	1	PLUNGER, PUMP	
12	4050646	1	CLAMP ASSY, (INCL SCREW & WIRE)	



REF 4028896, 4028900, 4029102
 FUEL INJECTION PUMP
 EFFECTIVE WITH ENGINE S/N 3019629

ITEM	PART NUMBER	QTY	DESCRIPTION	PACKAGE NO
1	4029978	1	PUMP ASSY., (4029977) FUEL INJECTION, MULTI-PLUNGER, (GE) TYPE GOVERNOR, THROTTLE & STOPLEVERS, HYDRAULIC RETARD DEVICE, EXTENDED CAMSHAFT DRIVE AND WITH TORQUE CAPSULE SMOKE STOP ASSY. (ENGINE 4028883)	
1	4029974	1	PUMP ASSY., (4029973) FUEL INJECTION, MULTI-PLUNGER, (GE) TYPE GOVERNOR, THROTTLE AND STOPLEVERS, HYDRAULIC RETARD DEVICE, EXTENDED CAMSHAFT DRIVE AND WITH SOLID SMOKE STOP. (ENGINE 4028880)	
1	4029535	1	PUMP ASSY., (4029107) FUEL INJECTION, MULTI-PLUNGER, (GE) TYPE GOVERNOR, THROTTLE AND STOP LEVERS, HYDRAULIC RETARD DEVICE, EXTENDED CAMSHAFT DRIVE AND WITH TORQUE CAPSULE SMOKE STOP ASSY. (ENGINE 4028881)	
	0919224	5	CAPSCREW, 3/8 NC X 1-1/8	
	4020145	5	WASHER	
	4371118	1	COVER-TACH DRV	
	4367090	1	WSHR-TACH CVR	

ALL SERVICE PUMPS ARE FACTORY CALIBRATED.
 FUEL PUMP KIT 4029968 MAY BE USED WHERE
 REBUILD FACILITIES ARE AVAILABLE.



E-2238.

REF 4028896, 4028900, 4029102
 FUEL INJECTION PUMP
 PRIOR TO ENGINE S/N 3D19629

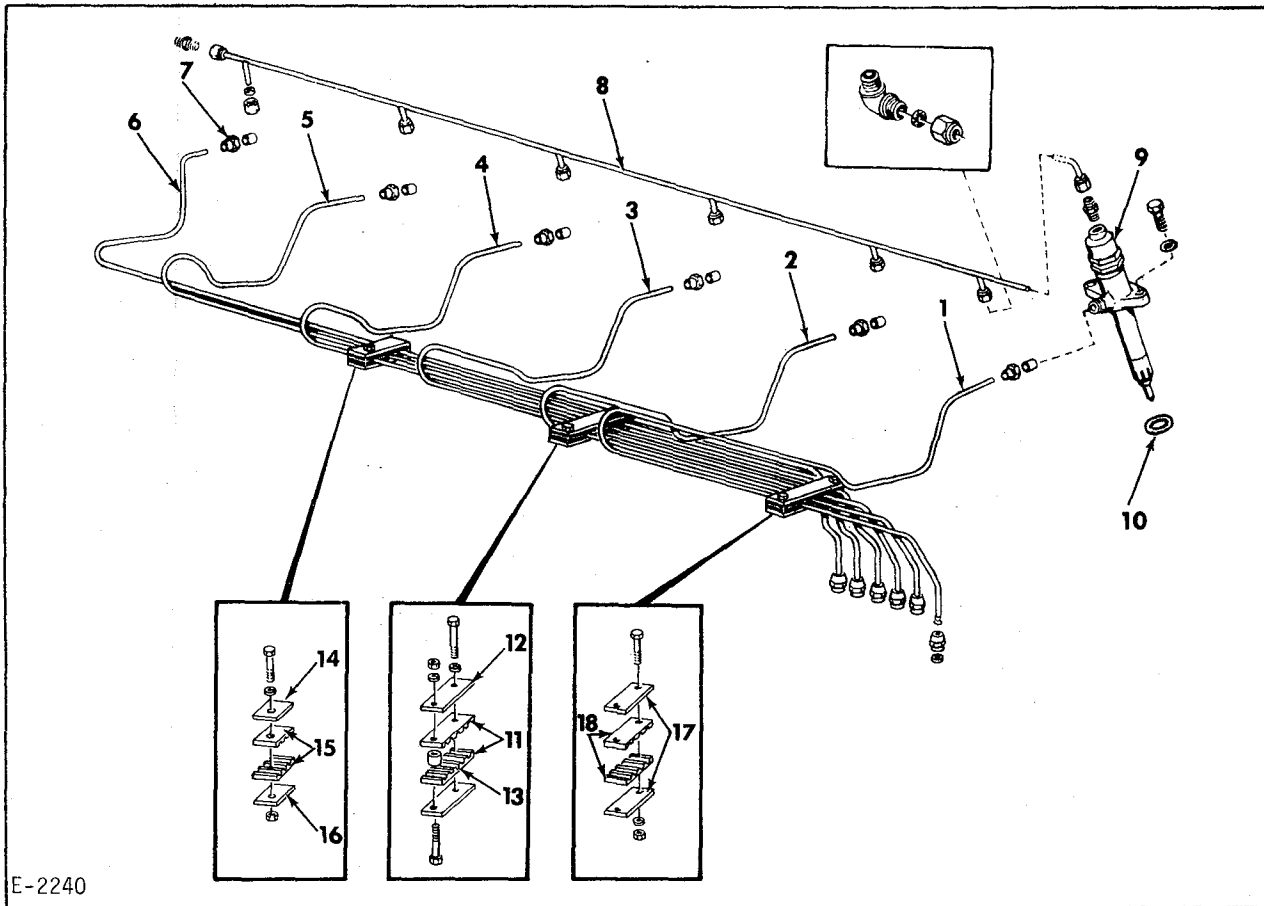
ITEM	PART NUMBER	QTY	DESCRIPTION	PACKAGE NO
1	4029536	1	PUMP ASSY., (4029103) FUEL INJECTION, MULTI-PLUNGER, (GE) TYPE GOVERNOR, THROTTLE & STOPLEVERS, HYDRAULIC RETARD DEVICE, EXTENDED CAMSHAFT DRIVE AND WITH TORQUE CAPSULE SMOKE STOP ASSY. (ENGINE 4028883)	
1	4029534	1	PUMP ASSY., (4029105) FUEL INJECTION, MULTI-PLUNGER, (GE) TYPE GOVERNOR, THROTTLE AND STOPLEVERS, HYDRAULIC RETARD DEVICE, EXTENDED CAMSHAFT DRIVE AND WITH SOLID SMOKE STOP. (ENGINE 4028880)	
1	4029535	1	PUMP ASSY., (4029107) FUEL INJECTION, MULTI-PLUNGER, (GE) TYPE GOVERNOR, THROTTLE AND STOP LEVERS, HYDRAULIC RETARD DEVICE, EXTENDED CAMSHAFT DRIVE AND WITH TORQUE CAPSULE SMOKE STOP ASSY. (ENGINE 4028881)	
	0919224	5	CAPSCREW, 3/8 NC X 1-1/8	
	4020145	5	WASHER	
	4371118	1	COVER-TACH DRV	
	4367090	1	WSHR-TACH CVR	

NOTE- ALL SERVICE PUMPS ARE FACTORY CALIBRATED.

FUEL PUMP KIT 4029968 MAY BE USED WHERE REBUILD FACILITIES ARE AVAILABLE.

REF 4028896, 4028900, 4029102 (CONTINUED)
 FUEL INJECTION PUMP

ITEM	PART NUMBER	QTY	DESCRIPTION	PACKAGE NO
2	4028901	1	TUBE ASSY., OIL SUPPLY, (INCLUDES NUTS AND SLEEVES INDENTED BELOW)	
	0917806	2	SLEEVE, 1/4 O.D. TUBE	
	0917809	2	NUT, 1/4 O.D. TUBE	
3	4023883	1	CONNECTOR	
4	4023882	1	ADAPTER	
	0926328	2	WASHER (COPPER)	
5	4023557	1	CONNECTOR, TUBE TO ADAPTER (INCLUDES C-RING)	
	0921881	1	O-RING	
6	4023884	1	TUBE ASSY., TO HYDRAULIC RETARD (INCLUDES NUTS AND SLEEVES INDENTED BELOW)	
	0917806	2	SLEEVE, 1/4 O.D. TUBE	
	0917809	2	NUT, 1/4 O.D. TUBE	
	0928564	1	ELBOW (45DEG.) AT RETARD DEVICE	
7	4028716	1	GEAR, PUMP DRIVE	
	0920660	4	CAPSCREW, 5/16 NC X 1-1/2	
	4028076	4	WASHER, FLAT	
8	4028781	1	GASKET, PUMP TO FRONT PLATE.....4029573-5	
9	4061302	1	HYDRAULIC RETARD DEVICE LATE TYPE REPLACES PART 4061036	
10	4029170	1	LEVER THROTTLE SHAFT	
	0930907	1	CAPSCREW, #10 NF	
	0904203	1	LOCKWASHER, #10	
11	4029176	1	SPRING, LEVER	
12	4029173	1	LEVER	
	0910335	1	WASHER, PLAIN, SAE STD., 5/16	
	0927791	1	RING, RETAINER	
13	4060436	1	LEVER, STOP	
14	4060547	1	PUMP, SUPPLY WITH HAND PRIMER	
NOTE- ITEMS 9 THRU 14 ARE COMPONENTS OF FUEL INJECTION PUMP ASSY. REFER TO REPAIR PARTS MANUAL TPL4106				
15	4029449	1	TUBE, VENT	
	0924189	1	ELBOW	
	4024258	1	FITTING (AT PUMP)	
	0917809	2	NUT	
	0917806	2	SLEEVE	
16	4023556	1	CONNECTOR, TRANS. PMP INLET (INCL C-RING)	
	0921884	1	O-RING	
	0917807	1	SLEEVE	
	0917810	1	NUT	
17	4029516	1	BRACKET, SUPPORT	
	0916271	2	SCREW 3/8 NC X 1	
	0916197	1	SCREW 7/16 NC X 1-1/4	
	0910287	2	LOCKWASHER 3/8	
	0904207	1	LOCKWASHER 7/16	



E-2240

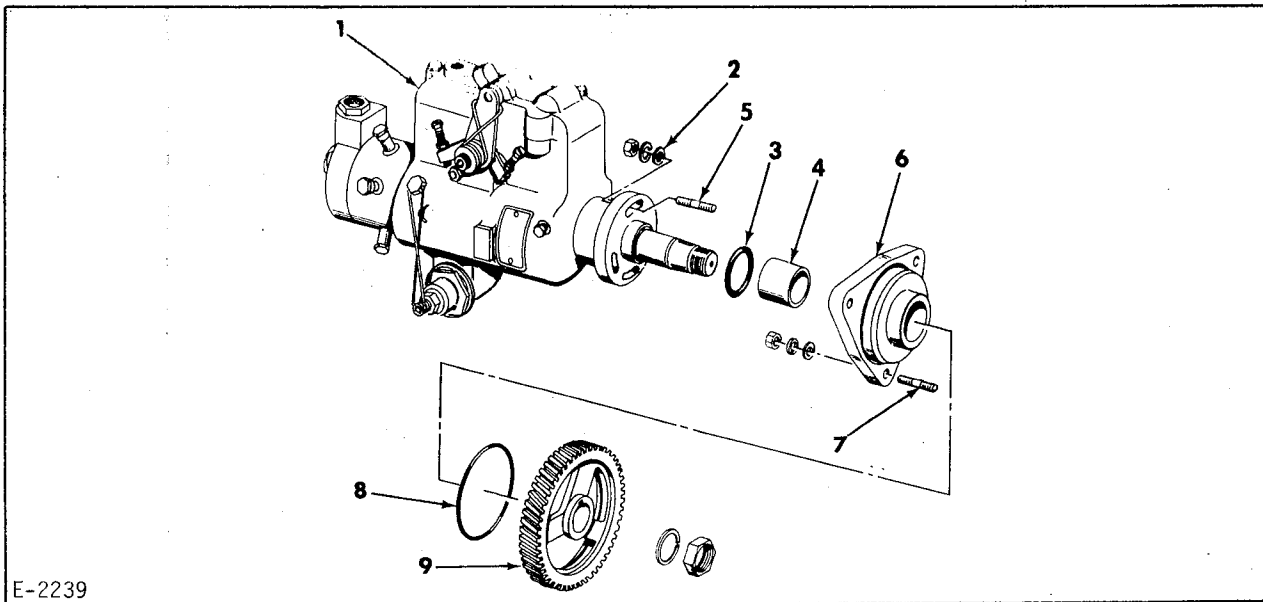
REF 4028619, 4029117
 INJECTION NOZZLE AND LINES
 (MULTI-PLUNGER PUMP)

ITEM	PART NUMBER	QTY	DESCRIPTION	PACKAGE NO
1	4028835	1	TUBE, INJECTION (#1 CYLINDER)	
2	4028836	1	TUBE, INJECTION (#2 CYLINDER)	
3	4028837	1	TUBE, INJECTION (#3 CYLINDER)	
4	4028838	1	TUBE, INJECTION (#4 CYLINDER)	
5	4028839	1	TUBE, INJECTION (#5 CYLINDER)	
6	4028840	1	TUBE, INJECTION (#6 CYLINDER)	
7	4504409	12	NUT, INJECTION TUBE	
	4501149	12	SLEEVE, ERMETO,	
8	4028871	1	TUBE, DRIP MANIFOLD	
	0917809	9	NUT, 1/4 O.D. TUBE	
	0917806	9	SLEEVE, 1/4 O.D. TUBE	
	0920242	1	CONNECTOR (BODY), 1/4 TUBE, 1/4 NPT	
	0924189	1	ELBOW-VENT TUBE CONN.	
9	4029013	6	NOZZLE HCLDER ASSY. (MODEL 3500) *	
9	4023568	6	NOZZLE-HCLDER ASSY. (MODEL 3400) *	
	0917135	12	CAPSCREW, 5/16 NC X 1-5/8	
	0904205	12	LOCKWASHER, 5/16	

NOTE- * NOT SERVICED SEPARATELY-SEE DETAILS

REF 4028619, 4029117 (CONTINUED)
 INJECTION NOZZLE AND LINES
 (MULTI-PLUNGER PUMP)

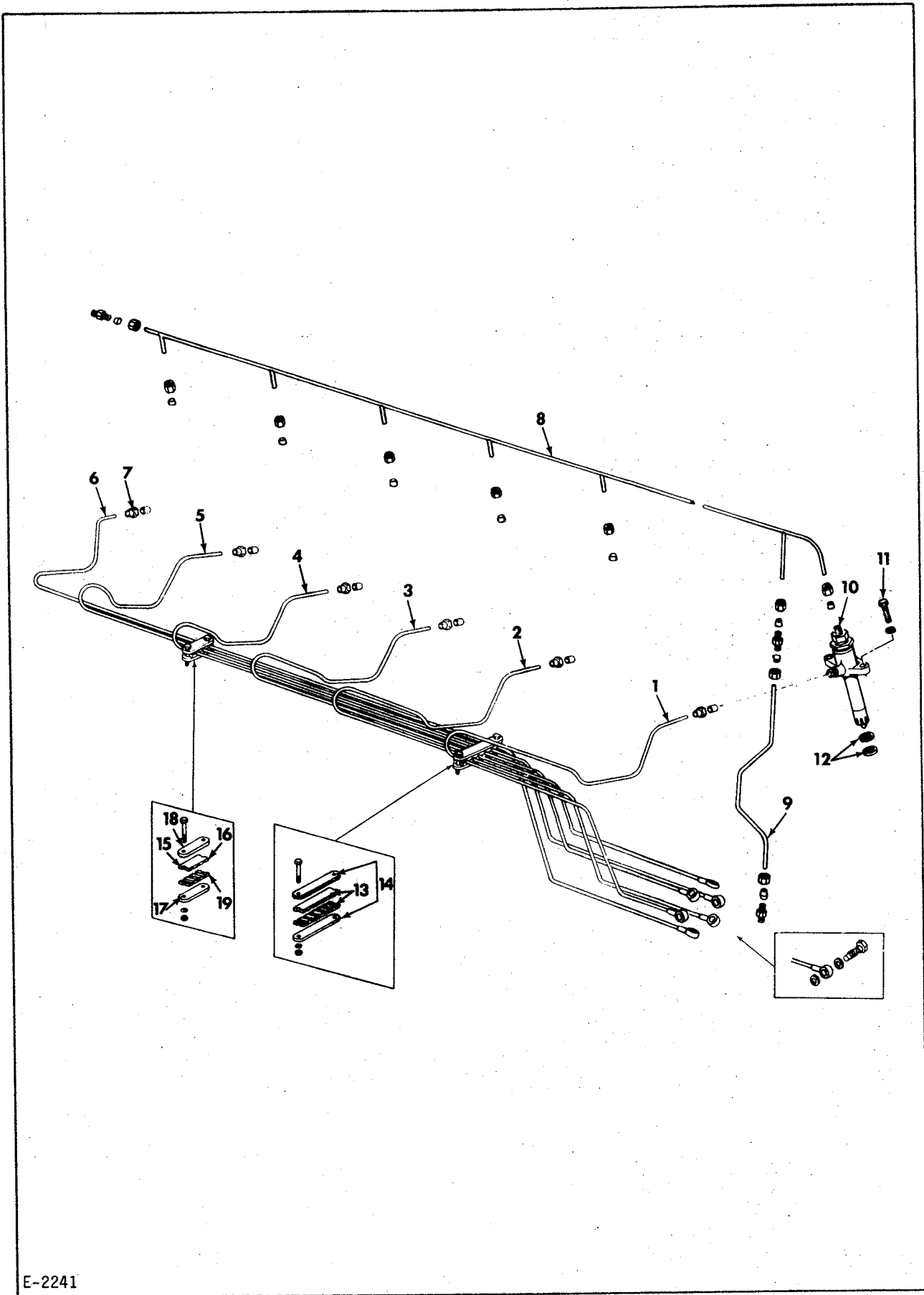
ITEM	PART NUMBER	QTY	DESCRIPTION	PACKAGE NO
10	4025385	12	SHIELD, DUST, NOZZLE HOLDER	
11	4336532	2	SPACER, RUBBER INJECTION TUBE CLAMP	
12	4029052	2	CLAMP, INJECTION TUBE	
	0915807	1	CAPSCREW, 5/16 NC X 1-1/4	
	0916279	1	CAPSCREW, 5/16 NC X 1-1/2	
	0904205	2	LOCKWASHER, 5/16	
	0910323	1	NUT, 5/16 NC	
13	4031159	1	SPACER, CLAMP	
14	4029083	1	PLATE, CLAMP, INJECTION TUBE	
	0914392	1	CAPSCREW, 5/16 NC X 1	
	0904205	1	LOCKWASHER, 5/16	
	0910323	1	NUT, 5/16 NC	
15	4029084	2	SPACER, RUBBER CLAMP PLATE	
16	4029253	1	PLATE, INJECTION LINE	
17	4029255	2	PLATE, INJECTION LINE	
	0915807	2	CAPSCREW, 5/16 NC X 1-1/4	
	0904205	2	LOCKWASHER, 5/16	
	0910323	1	NUT, 5/16 NC	
18	4029254	2	SPACER, RUBBER	



E-2239

REF 4029548, 4029551
 FUEL INJECTION PUMP
 (DISTRIBUTOR TYPE)

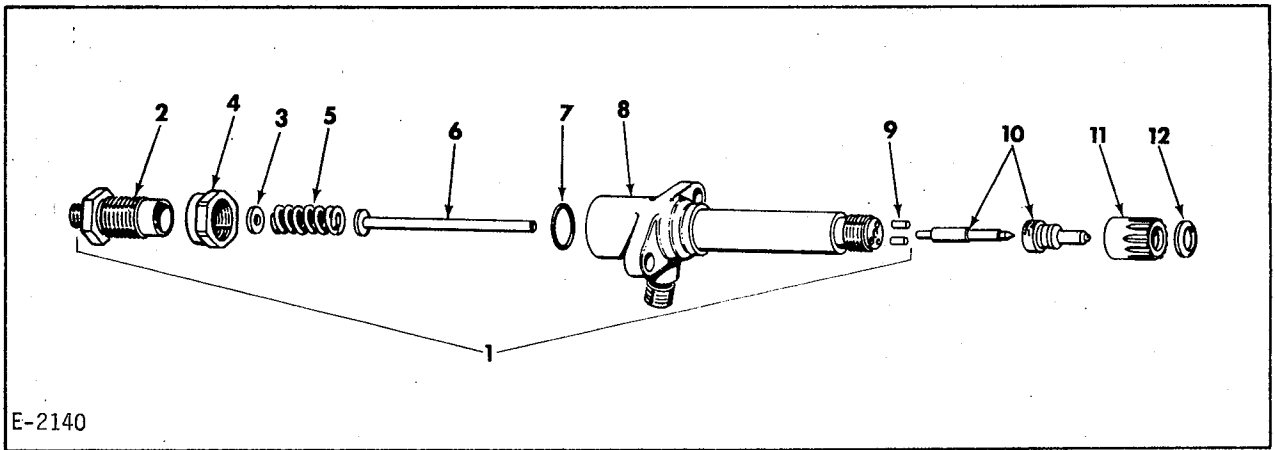
ITEM	PART NUMBER	QTY	DESCRIPTION	PACKAGE NO
1	4029552	1	PUMP, FUEL INJ. (1500/1800 RPM) 3.5-5% REGULATION WITH 12 V, ETR SOLENOID, (MODEL 3500 ENGINE #4028884)	
2	4371718	2	WASHER, PUMP STUD	
	0910324	2	NUT, 3/8 NC	
	0910287	2	LOCKWASHER	
3	4048596	1	SEAL, PILOT (PART OF ITEM 1)	
4	4025249	1	BUSHING, ADAPTOR	
5	4025250	2	STUD, PUMP TO ADAPTOR	
6	4026004	1	ADAPTOR ASSY, FUEL PUMP (INCL. ITEMS 4 & 5)	
7	-----	3	STUD, ADAPTOR MOUNTING (SEE FRONT PLATE)	
	0913544	3	WASHER, PLAIN, 13/32	
	0910287	3	LOCKWASHER, 3/8	
	0910123	3	NUT, 3/8 NF	
8	4255661	1	O-RING, ADAPTOR.....4029573-5	
9	4025303	1	GEAR, FUEL PUMP DRIVE	



E-2241

REF 4029550, 4029553 (CONTINUED)
 NOZZLE HOLDER & INJECTION TUBES
 FOR DISTRIBUTOR TYPE PUMP

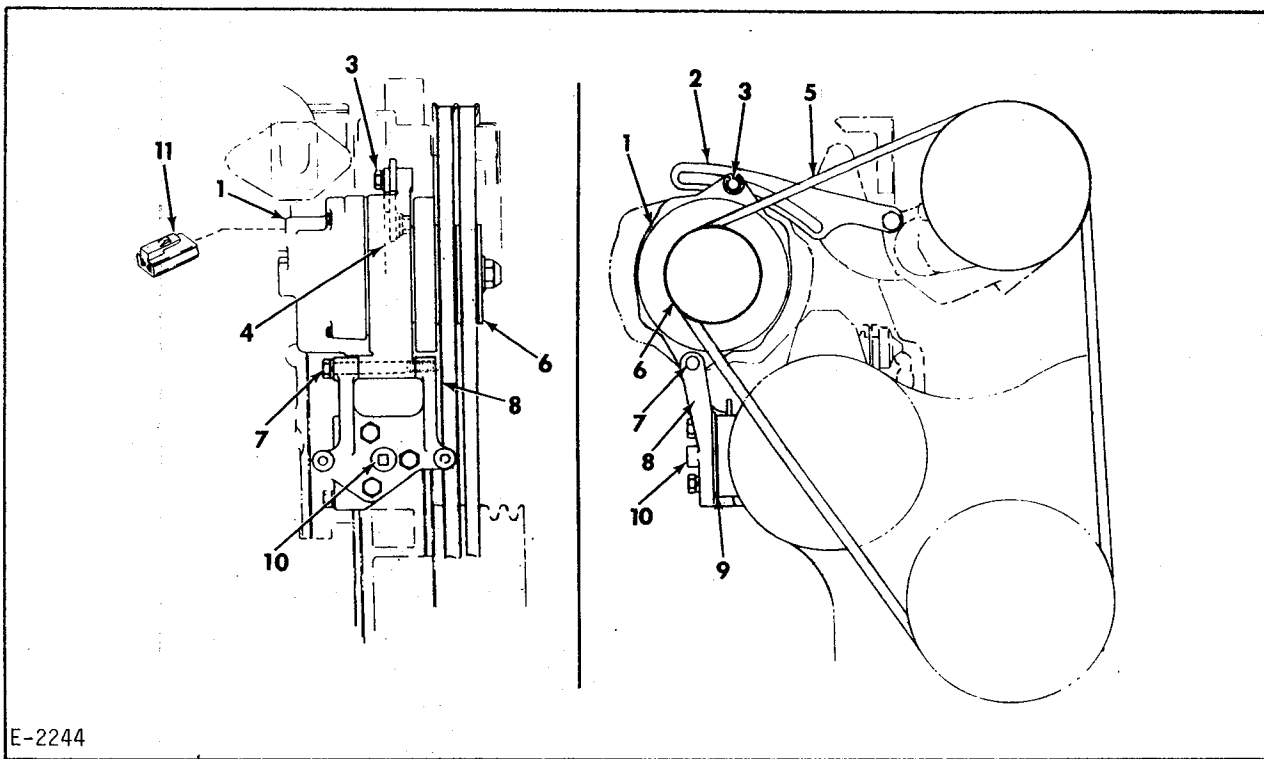
ITEM	PART NUMBER	QTY	DESCRIPTION	PACKAGE NO
1	4029479	1	TUBE ASSY., INJECTION (#1 CYLINDER)	
2	4029480	1	TUBE ASSY., INJECTION (#2 CYLINDER)	
3	4029481	1	TUBE ASSY., INJECTION (#3 CYLINDER)	
4	4029482	1	TUBE ASSY., INJECTION (#4 CYLINDER)	
5	4029483	1	TUBE ASSY., INJECTION (#5 CYLINDER)	
6	4029484	1	TUBE ASSY., INJECTION (#6 CYLINDER)	
	4027748	12	WASHER SEALING	
	4369451	6	SCREW, FUEL LINE CONNECTOR	
7	4504409	6	NUT, INJECTION TUBE	
	4501149	6	SLEEVE, ERMETO, 1/4 OD TUBE	
8	4028871	1	TUBE, DRIP MANIFOLD	
	0917809	10	NUT, 1/4 OD TUBE	
	0917806	10	SLEEVE, 1/4 OD TUBE	
	0919800	1	CONNECTOR, 1/4 OD TUBE (AT F.I.P.)	
	0920242	1	CONNECTOR 1/4 OD TUBE (RETURN CONNECTOR TO TANK)	
9	4028870	1	TUBE, FUEL RET. (PUMP TO DRIP MFD)	
	0921534	1	UNION (TUBE TO TUBE)	
10	4028860	6	NOZZLE-HOLDER ASSY. (3500) NOT SERVICED, SEE NOZZLE-HOLDER DETAILS	
11	0917135	12	CAPSCREWS 5/16 NC X 1-5/8	
	0904205	12	LOCKWASHER	
12	4025385	12	SHIELD, DUST, NOZZLE HOLDER	
13	4029487	2	SPACER, RUBBER INJECTION TUBE CLAMP	
14	4029052	2	BRACKET, INJECTION TUBE CLAMP	
	0915807	1	CAPSCREW, 5/16 NC X 1-1/4	
	0916279	1	CAPSCREW, 5/16 NC X 1-1/2	
	0904205	2	LOCKWASHER, 5/16	
	0910323	1	NUT, 5/16 NC	
15	4031159	1	SPACER, CLAMP	
16	4029084	1	SPACER, RUBBER CLAMP PLATE	
17	4029486	1	BRACKET INJECTION LINE (3,4,5,&6)	
18	4029052	1	BRACKET, INJECTION LINE (3,4,5,&6)	
	0914392	2	CAPSCREW, 5/16 NC X 1	
	0904205	2	LOCKWASHER 5/16	
19	4336532	2	SPACER, RUBBER (LINES 3,4,5&6)	



E-2140

NOZZLE-HOLDER ASSEMBLY
 4023568 (3100 PSI NOZZLE OPENING PRESSURE)
 4028860 (3150 PSI NOZZLE OPENING PRESSURE)
 4029013 (3850 PSI NOZZLE OPENING PRESSURE)

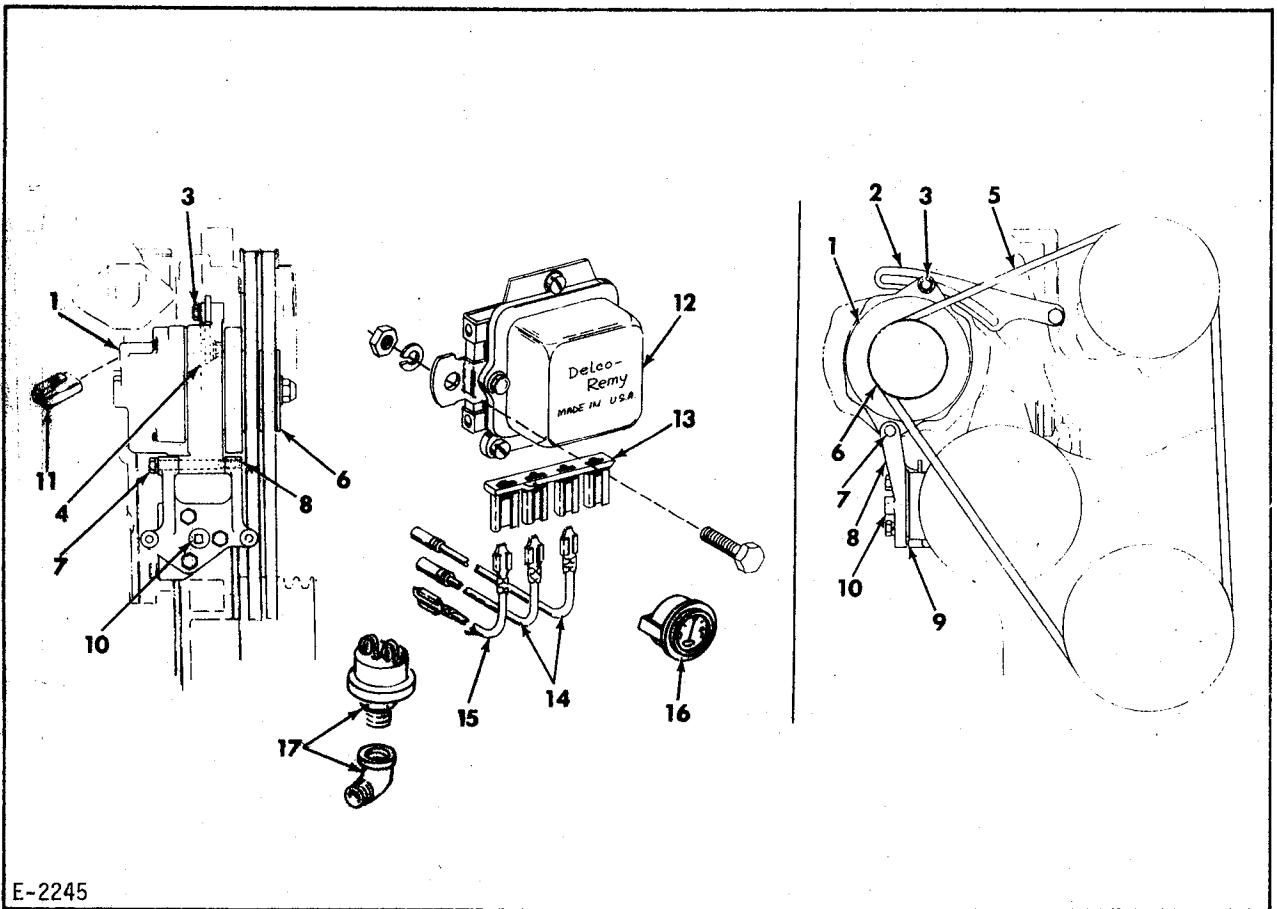
ITEM	PART NUMBER	QTY	DESCRIPTION	PACKAGE NO
NOTE- QUANTITIES INDICATED ARE FOR ONE (1) ASSY. ONLY				
1	4060859	1	HOLDER ASSY., (INCLUDES ITEMS 2 THRU 9 AND 11)	
2	4023570	1	SCREW, PRESSURE ADJUSTING	
3	4023571	1	WASHER, SPRING	
4	4511213	1	NUT, LOCK	
5	4380652	1	SPRING, PRESSURE ADJUSTING	
6	4025148	1	ROD, SPINDLE	
7	0930506	1	O-RING, SCREW	
8	-----	1	BODY, NOZZLE HOLDER (ORDER ITEM 1)	
9	4025149	2	PIN, DOWEL	
10	4027882	1	NOZZLE ASSY. (INCLUDES ITEM 12) (4028860) (.35MM CRIFICE)	
10	4022903	1	NOZZLE ASSY. (INCLUDES ITEM 12) (4023568) (.32MM CRIFICE)	
10	4029014	1	NOZZLE ASSY. (INCLUDES ITEM 12) (4029013) (.375MM CRIFICE)	
11	4025146	1	NUT, NOZZLE RETAINING	
12	4025150	1	GASKET, NOZZLE HOLDER TO CYL. HD.....4029572-7	



E-2244

ALTERNATOR AND MOUNTING
LESS REGULATOR AND AMMETER
(4029346)(4029355)

ITEM	PART NUMBER	QTY	DESCRIPTION	PACKAGE NO
1	4028963	1	ALTERNATOR ASSY., 12 VOLT, 40 AMP (4029355) DELCO REMY #1100059	
1	4027733	1	ALTERNATOR ASSY., 12 VOLT, 58 AMP., (4029346) DELCO REMY #1100063	
2	4516431	1	BRACE, ADJUSTING	
	0916275	1	CAPSCREW, 3/8 NC X 3-3/4	
	0922465	1	WASHER, PLAIN, 3/8	
	0910287	1	LOCKWASHER, 3/8	
3	0915807	1	CAPSCREW, 5/16 NC X 1-1/4	
	0904205	1	LOCKWASHER, 5/16	
	0927452	1	WASHER, PLAIN, 5/16	
4	4029378	1	WASHER, SPACER	
5	4028468	1	BELT SET (MATCHED SET OF TWO)	
6	4028905	1	PULLEY, TWO GROOVE	
7	0916275	1	CAPSCREW, 3/8 NC X 3-3/4	
	0910287	1	LOCKWASHER, 3/8	
8	4029361	1	BRACKET, MOUNTING	
	4029361	1	CAPSCREW, 3/8 NC X 1 3/4	
	0919225	3	CAPSCREW, 3/8 NC X 1-3/8	
	0910287	4	LOCKWASHER, 3/8	
9	4029053	1	GASKET, MOUNTING BRACKET.....4029573-5	
10	0904224	1	PLUG, PIPE, 3/4 NPTF	
11	4255545	1	CONNECTOR, DELCOTRON	



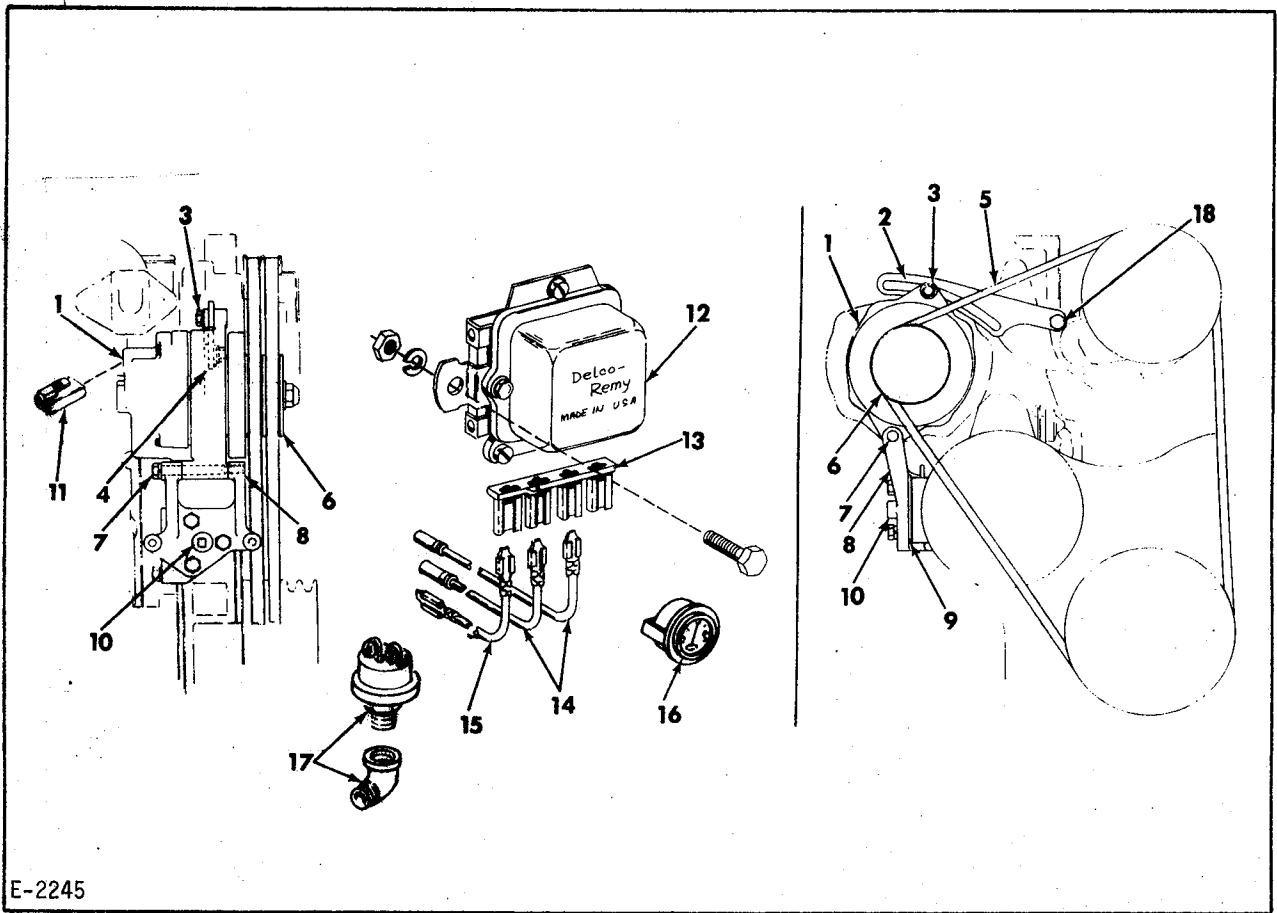
REF 4029394
 ALTERNATOR AND MOUNTING
 WITH REGULATOR AND AMMETER
 (4025862) (4401726 OMISSION)
 (4024705) (4024777 OMISSION)

ITEM	PART NUMBER	QTY	DESCRIPTION	PACKAGE NO
1	4028963	1	ALTERNATOR ASSY., 12 VOLT, 40 AMP., DELCO-REMY #1100059	
2	4516431	1	BRACE, ADJUSTING	
	0912069	1	CAPSCREW, 3/8 NC X 2-1/2	
	0922465	1	WASHER, PLAIN, 3/8	
	0910287	1	LOCKWASHER, 3/8	
3	0915807	1	CAPSCREW, 5/16 NC X 1-1/4	
	0904205	1	LOCKWASHER, 5/16	
	0927452	1	WASHER, PLAIN, 5/16	
4	4353370	1	WASHER, SPACER	
5	4028468	1	BELT SET (MATCHED SET OF TWO)	
6	4028905	1	PULLEY, TWO GROOVE	
7	0916275	1	CAPSCREW, 3/8 NC X 3-3/4	
	0910287	1	LOCKWASHER, 3/8	
8	4029368	1	BRACKET, MOUNTING	
	0919225	3	CAPSCREW, 3/8 NC X 1-3/8	
	0910287	4	LOCKWASHER, 3/8	
	0916273	1	CAPSCREW, 3/8 NC X 1-3/4	
9	4029053	1	GASKET, MOUNTING BRACKET.....4029573-5	

REF 4029394 (CONTINUED)
 ALTERNATOR AND MOUNTING
 WITH REGULATOR AND AMMETER
 (4025862) (4401726 OMISSION)
 (4024705) (4024777)

ITEM	PART NUMBER	QTY	DESCRIPTION	PACKAGE NO
10	0904224	1	PLUG, PIPE, 3/4 NPTF	
11	4255545	1	CONNECTOR, DELCOTRON	
12	0243986	1	REGULATOR ASSY., NEG. GRD., LESS MTG. KIT	
	0243987	1	MOUNTING KIT	
	0918237	2	CAPSCREW, 1/4 NC X 1-1/4	
	0904204	2	LOCKWASHER, 1/4	
	0910880	2	NUT, 1/4 NC	
13	4255432	1	CONNECTOR, AT V.R.	
14	4025662	2	WIRE ASSY, REGULATOR TO KEY SWITCH & AMMETER	
15	4025661	1	WIRE ASSY, ALTERNATOR FIELD TO REGULATOR	
16	3048619	1	AMMETER 12 V. 0-60 AMP. (4024705) (4025862) OMISSION GROUP 4024777 4401726 PROVIDES FOR FACTORY REMOVAL	
17	3009981	1	SWITCH, 3 TO 6 LBS. PRESSURE	
	0907059	1	ELBOW	

NOTE- 1. STANDARD ON ENGINE 4028880 AND
 ON ENGINE 4028881 PRIOR TO S/N 3D18118



REF 4029811
 ALTERNATOR AND MOUNTING
 WITH REGULATOR AND AMMETER
 (4025862) (4401726 OMISSION) (4029577) (4035164)
 (4024705) (4024777 OMISSION)

ITEM	PART NUMBER	QTY	DESCRIPTION	PACKAGE NO
1	4028963	1	ALTERNATOR ASSY., 12 VOLT, 40 AMP., DELCO-REMY #1100059	
2	4516431	1	BRACE, ADJUSTING	
	0912069	1	CAPSCREW, 3/8 NC X 2-1/2	
	0913544	1	WASHER	
	0910287	1	LOCKWASHER	
3	0915807	1	CAPSCREW, 5/16 NC X 1-1/4	
	0904205	1	LOCKWASHER	
	0927589	1	WASHER	
4	0927452	1	WASHER, SPACER	
5	4035068	1	BELT SET (4029577) (4035164) (REQUIRES WATER PUMP PULLEY 4029329)	
5	4035071	1	BELT SET STD. 1.24:1 DRIVE RATIO	
6	4028905	1	PULLEY, TWO GROOVE	
7	0916275	1	CAPSCREW, 3/8 NC X 3-3/4	
	0910287	1	LOCKWASHER	
8	4029368	1	BRACKET, MOUNTING	
	0914847	4	CAPSCREW, 3/8 NC X 1 1/2	
	0910287	4	LOCKWASHER	

REF 4029811 (CONTINUED)
 ALTERNATOR AND MOUNTING
 WITH REGULATOR AND AMMETER
 (4025862) (4401726 OMISSION (4029577) (4035164)
 (4035305 ALT, REG, & AMMETER OMISSION) (4024705) (4024777 OMISSION)

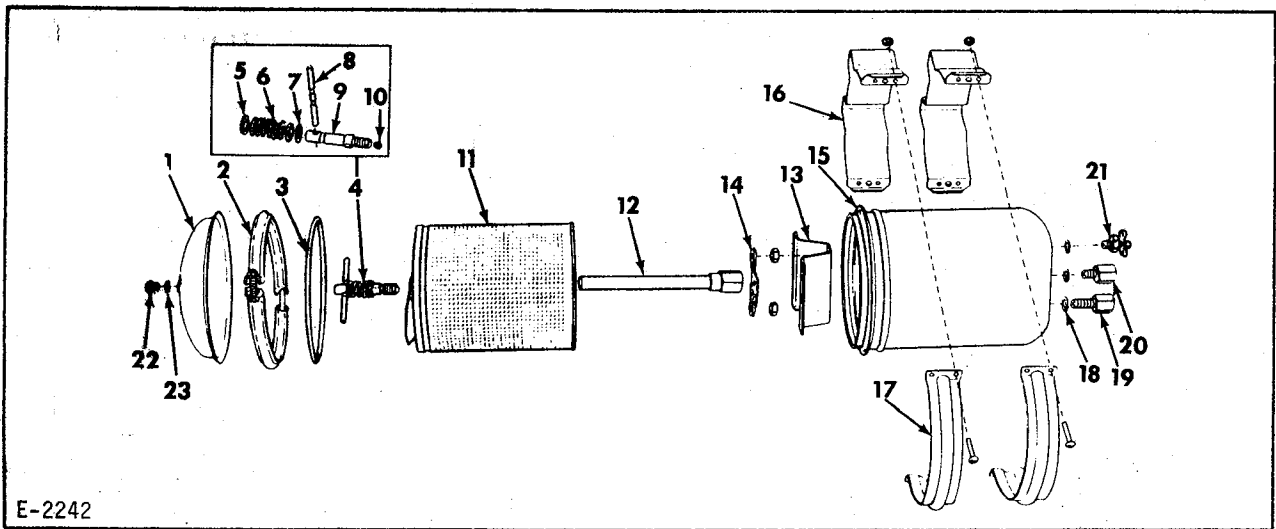
ITEM	PART NUMBER	QTY	DESCRIPTION	PACKAGE NO
9	4029053	1	GASKET, MOUNTING BRACKET.....	4029573
10	0904224	1	PLUG, PIPE, 3/4 NPT	
11	4255545	1	CONNECTOR, DELCOTRON	
12	0243986	1	REGULATOR ASSY., NEG. GRD., LESS MTG. KIT	
	0243987	1	MOUNTING KIT	
	0918237	2	CAPSCREW, 1/4 NC X 1-1/4	
	0904204	2	LOCKWASHER	
	0910880	2	NUT	
13	4255432	1	CONNECTOR, AT V.R.	
14	4025662	2	WIRE ASSY, REGULATOR TO KEY SWITCH & AMMETER	
15	4025661	1	WIRE ASSY, ALTERNATOR FIELD TO REGULATOR	
16	3048619	1	AMMETER 12 V. 0-60 AMP CL23892 (4024705) (4025862) OMISSION GROUP 4024777 4401726 PROVIDES FOR FACTORY REMOVAL	
17	3009981	1	SWITCH, 3 TO 6 LBS., PRESSURE	
	0907059	1	ELBOW	

ALTERNATOR, REGULATOR & AMMETER OMISSION GROUP 4035305 PROVIDES FOR FACTORY REMOVAL OF ITEMS 1, 2, 3, 4, 6, 7, & 11 thru 17.

THE ITEMS FURNISHED ARE:

5	4035071	1	BELT SET
8	4029368	1	BRACKET, MOUNTING
	0914847	4	CAPSCREW, 3/8 NC X 1 1/2
	0910287	4	LOCKWASHER
9	4029053	1	GASKET
10	0904224	1	PLUG, PIPE 3/4 NPT
18	0910948	1	CAPSCREW, 3/8 NC X 2
	0910287	1	LOCKWASHER

NOTE- STANDARD ON ENGINE 4028884
 AND ON ENGINE 4028881 EFF. WITH S/N 3018118



E-2242

OIL FILTER (BY-PASS TYPE) (4027873)
 (OMISSION GROUP 4028241)
 THIS FILTER ASSY IS AVAILABLE IN TWO DESIGNS
 CHECK WHICH IS APPLICABLE TO YOUR UNIT AND
 ORDER SERVICE PARTS ACCORDINGLY.

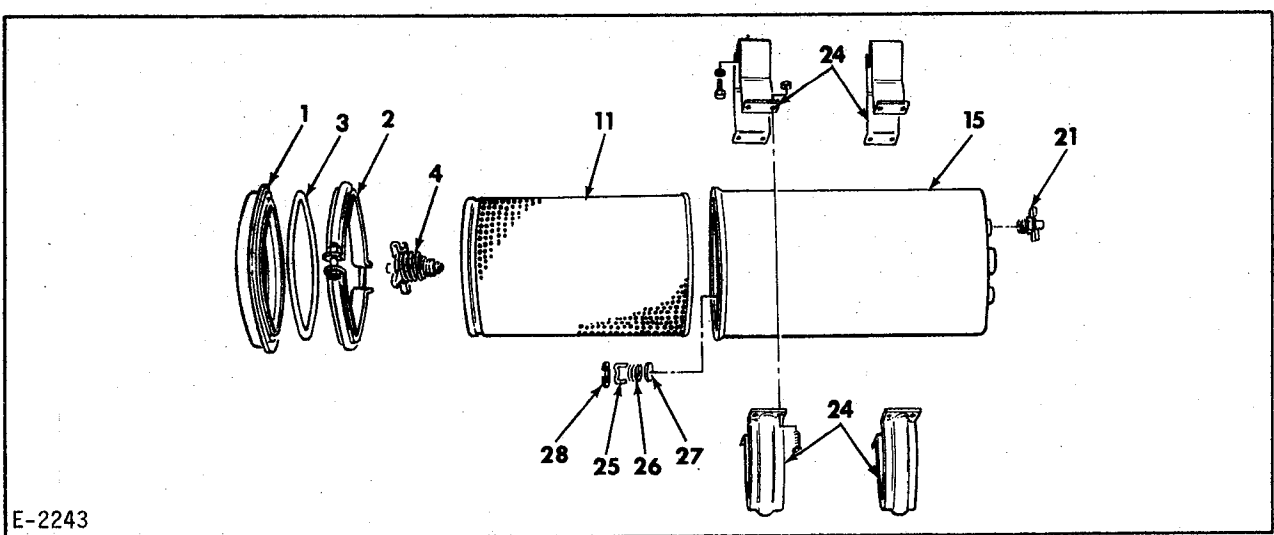
ITEM	PART NUMBER	QTY	DESCRIPTION	PACKAGE NO
-	4027739	*	FILTER ASSY. TYPE 'A' DESIGN (INCLUDES ITEMS 1 THRU 23) ("LUBER-FINER")	
1	0082505	1	COVER	
2	0630540	1	RING ASSY. (INCLUDES NUT AND BOLT)	
3	0082449	1	GASKET	
4	0082493	1	HOLD-DOWN ASSY. (INCLUDES ITEMS 5 THRU 10)	
5	0082489	3	WASHER	
6	0082490	1	SPRING	
7	0082487	1	SEAL	
8	0082488	1	HANDLE	
9	-----	1	STUD (NOT SERVICED SEPARATELY)	
10	0082491	1	PLUG	
11	4059373	1	ELEMENT	
12	0076668	1	TUBE ASSY. (INCLUDES NUT)	
13	0096816 0911049	1 2	SUPPORT NUT, JAM, 5/8 NF	
14	0096815	1	RETAINER	
15	-----	1	HOUSING (NOT SERVICED SEPARATELY)	
16	0082444	2	BRACKET	
17	0082443 0900576 0911024	2 8 8	BAND CAPSCREW, 1/4 NC X 3/4 NUT, 1/4 NC	

CONTINUED

OIL FILTER (BY-PASS TYPE) (4027873) (CONTINUED)
 (OMISSION GROUP 4028241)
 THIS FILTER ASSY IS AVAILABLE IN TWO DESIGNS
 CHECK WHICH IS APPLICABLE TO YOUR UNIT AND
 ORDER SERVICE PARTS ACCORDINGLY.

ITEM	PART NUMBER	QTY	DESCRIPTION	PACKAGE NO
18	0063891	3	GASKET	
19	0063890	1	VALVE ASSY. (INCLUDES 1 SPRING, 1 RING, 1 CUP. SERVICED ONLY AS A UNIT)	
20	0080758	1	VALVE ASSY. (INCLUDES 1 SPRING, 1 RING, 1 CUP, SERVICED ONLY AS A UNIT)	
21	4060755	1	COCK	
22	0084897	1	PLUG	
23	0084899	1	WASHER	

NOTE- OIL FILTER OMISSION GROUP 4028241 PROVIDES FOR
 FACTORY REMOVAL FROM ENGINE 4028883



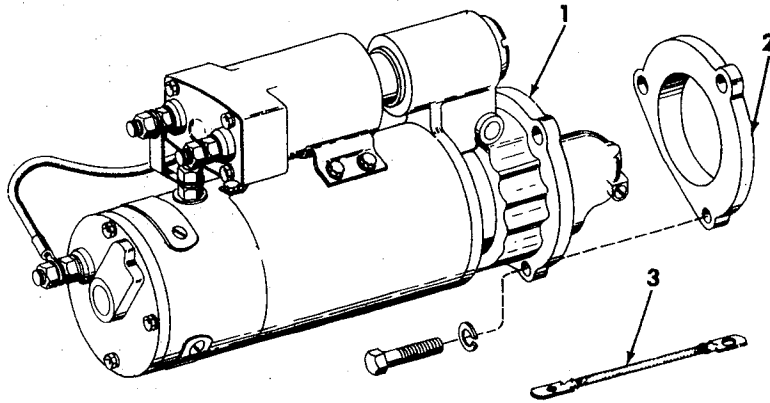
E-2243

OIL FILTER (BY-PASS TYPE) (4027873)
 (OMISSION GROUP 4028241)
 THIS FILTER ASSY IS AVAILABLE IN TWO DESIGNS
 CHECK WHICH IS APPLICABLE TO YOUR UNIT AND
 ORDER SERVICE PARTS ACCORDINGLY.

ITEM	PART NUMBER	QTY	DESCRIPTION	PACKAGE NO
-	4027739	*	FILTER ASSY. TYPE 'B' DESIGN (INCLUDES ITEMS 1 THRU 4,11,15,21,24 THRU 28) ("FLEETGUARD")	
1	4059813	1	COVER	
2	4059814	1	COUPLING ASSY. (INCLUDES HARDWARE.)	
3	0926772	1	GASKET	
4	4059802	1	SUPPORT ASSY. (INCLUDES O-RING.)	
11	4059373	1	ELEMENT	
15	-----	1	SHELL	
21	4060693	1	COCK	
24	4059817	2	BRACKET ASSY. (2-PIECE, INCLUDES HARDWARE.)	
25	4059810	1	CAGE	
26	4059811	1	SPRING	
27	4059812	1	DISC	
28	4253555	1	RING	

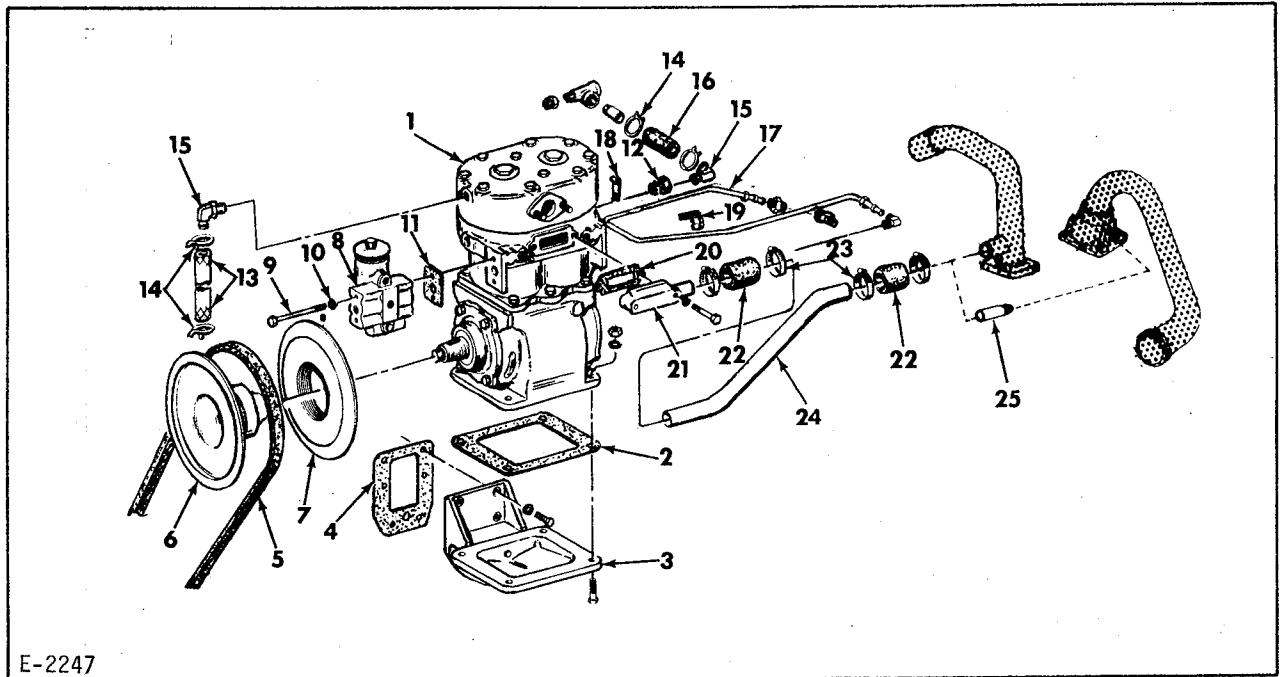
NOTE- OIL FILTER OMISSION GROUP 4028241 PROVIDES FOR
 FACTORY REMOVAL FROM ENGINE 4028883

E-2246



STARTER, (CRANKING MOTOR)
(4027621) (4028240)

ITEM	PART NUMBER	QTY	DESCRIPTION	PACKAGE NO
1	4354481	1	STARTER, (CRANKING MOTOR) (4027621) 12 VOLT, D.R. 1114098 SERVICES #1114055	
2	4025470	1	ADAPTOR	
	0914876	3	CAPSCREW 5/8 NC X 2-1/2	
	0904209	3	LOCKWASHER, 5/8	
3	4027579	1	CABLE, GROUND	
1	4028068	1	STARTER (CRANKING MOTOR) (4028240) 12 VOLT (POSITORQUE) D.R. 1114165	
2	4025470	1	ADAPTOR	
	0914876	3	CAPSCREW 5/8 NC X 2-1/2	
	0904209	3	LOCKWASHER 5/8	
3	4027579	1	CABLE, GROUND	



E-2247

AIR COMPRESSOR (AS USED ON ENG 4028883)
 (4029347) (4029350) (4029351)

ITEM	PART NUMBER	QTY	DESCRIPTION	PACKAGE NO
1	4358580	1	COMPRESSOR AIR (12 CU. FT. (4029351) (4025983) LESS GOVERNOR	
1	4358577	1	COMPRESSOR, AIR (7-1/4 CU. FT.)(4029347) (4025601) LESS GOVERNOR	
	0916255	4	CAPSCREW, 7/16 NC X 1-3/4	
	0904207	4	LOCKWASHER, 7/16	
	0912201	4	NUT, 7/16 NC	
2	4040305	1	GASKET, BASE	
3	4025979	1	BRACKET, AIR COMPRESSOR	
	0916197	6	CAPSCREW, 7/16 NC X 1-1/8	
	0904207	6	LOCKWASHER, 7/16	
4	4025622	1	GASKET, COMPRESSOR BRACKET.....4029573-5	
5	4029380	1	BELT, COMPRESSOR DRIVE	
6	4029376	1	PULLEY, STATIONARY HALF	
7	4025653	1	PULLEY, ADJUSTABLE HALF	
	0914383	3	SETScrew, 3/8 NC X 1/2	
8	4389823	1	GOVERNOR ASSY., (12 CU. FT.) 105/125 PSI (4029351)	
8	4056278	1	GOVERNOR ASSY. (7-1/4 CU. FT.) 90/105 PSI (4029347)	
	4055341	2	CAPSCREW	
	0904205	2	LOCKWASHER, 5/16	
11	4040345	1	GASKET, GOVERNOR	
12	0921727	1	ADAPTOR, COMP. WATER INLET 3/8 DRY SEAL	
13	4704244	1	HOSE, WATER OUTLET	
	0925053	1	FITTING, AT ENGINE WATER INLET PIPE	

CONTINUED

AIR COMPRESSOR (AS USED ON ENG 4028883) (CONTINUED)
 (4029347) (4029350) (4029351)

ITEM	PART NUMBER	QTY	DESCRIPTION	PACKAGE NO
14	4254156	4	CLAMP, HCSE	
15	4255286	2	ELBOW, WATER INLET AND OUTLET (4029347)	
15	0927198	1	ELBOW, 90 DEG., WATER INLET (4029351)	
16	4372378	1	HOSE, WATER INLET AS USED W/FIRST TYPE WATER FILTER PRIOR TO 3D21088	
	0928602	1	NIPPLE, 3/8 X 1	
	0913257	1	TEE, 3/8	
	0904271	1	BUSHING, REDUCING, 1/2 X 3/8	
16	4371891	1	HOSE, WATER INLET (EFF WITH SN 3D21088 FOR USE WITH SECOND TYPE WATER FILTER	
	4255286	1	ELBOW	
	0904271	1	BUSHING, REDUCER, 1/2 X 3/8	
17	4029247	1	TUBE ASSY. OIL FEED (INCLUDES NUTS AND SLEEVE INDENTED BELOW)	
	0917809	2	NUT, IMPERIAL, 1/4 TUBE	
	0917806	2	SLEEVE, IMPERIAL, 1/4 TUBE	
	0919040	1	ELBOW, 90 DEG., 1/4 TUBE, 1/8 NPT MALE	
18	4716090	1	CLAMP, OIL LINE (AT TIMING GEAR COVER)	
19	4025634	1	CLIP, OIL LINE (AT WATER INLET PIPE)	
20	4040341	1	GASKET, AIR INLET ADAPTER	
21	4338174	1	ELBOW, AIR INLET	
	0916280	2	CAPSCREW, 5/16 NC X 2	
	0917330	2	WASHER, PLAIN, 11/32 I.D. (COPPER)	
22	4650229	2	HOSE, AIR INLET	
23	0922660	4	CLAMP, AIR INLET HOSE	
24	4027909	1	TUBE, COMPRESSOR AIR INLET.	
24	4025603	1	TUBE, COMPRESSOR AIR INLET. (USED WHEN OPTL. GP. 4029350 IS SPECIFIED)	
25	0913230	1	NIPPLE, HOSE TO CROSSOVER PIPE	

GASKET KITS & PACKAGED PARTS

ITEM	PART NUMBER	QTY	DESCRIPTION	PACKAGE NO	
1	4029572	*	GASKET KIT, CYLINDER HEAD (TOP DOWN)		
	4026579	1	GASKET, INTAKE MANIFOLD		
	4027014	6	GASKET, EXHAUST MANIFOLD		
	4025101	1	GASKET, THERMOSTAT HOUSING, LOWER		
	4027024	1	GASKET, THERMOSTAT HOUSING, UPPER		
	4025106	1	GASKET, WATER INLET PIPE		
	4025101	1	GASKET, WATER OUTLET PIPE		
	4027598	1	GASKET ASSY., CYLINDER HEAD		
	4025472	1	GASKET, CYLINDER HEAD COVER		
	4025150	6	GASKET, INJECTION NOZZLE		
	4025376	1	GASKET, AIR OUTLET ELBOW		
	4025385	12	DUST SHIELD, INJECTION NOZZLE		
	4025781	1	GASKET, TURBO MOUNTING		
	4339532	1	GASKET, OIL DRAIN TUBE		
	0928049	6	O-RING, NOZZLE BODY		
	4255983	2	SLEEVE, OIL FEED LINE		
	4512343	1	GASKET, AIR MTR. ELE.		
	4338943	1	GASKET, DIFFUSER		
	4029324	1	GASKET, OUTLET FLGE.		
	4029327	1	GASKET, INLET PIPE		
	2	4029573	*	GASKET KIT, INTERMEDIATE (3500) AND (3400)	
		0923664	4	O-RING, OIL COOLER	
		4025019	1	GASKET, COVER PLATE	
		4025021	2	GASKET, COVER PLATE	
		4027752	1	GASKET, FRONT PLATE	
		4027751	1	GASKET, FRONT COVER	
		4026548	1	GASKET, INSPECTION PLATE	
4026549		1	GASKET, COVER PLATE		
4025097		1	O-RING, REAR PLATE		
4020879		1	O-RING, REAR PLATE		
4025106		1	GASKET, INLET PIPE		
4025120		2	GASKET, OIL FILTER		
4025343		1	GASKET, COVER		
4025367		1	GASKET, OIL COOLER		
4025622		1	GASKET, COMPRESSOR BRACKET		
0923971		1	O-RING, W.P. TO VCLUTE		
4029299		1	GASKET, HSG. INSP. COVER		
4028820		1	GASKET, FILTER TO COOLER		
4028822		1	GASKET, CLR. HSG. TO ELBOW		
4028823		1	GASKET, CLR. ELB. TO BLOCK		
4028997		1	GASKET, BONNET		
4028063		1	GASKET, COOLER UPPER		
4028064		1	GASKET, COOLER LOWER		
4028074		2	GASKET, COOLER FLGE.		
4029053		1	GASKET, ALTERNATOR BRKT.		
4025632		2	GASKET, OIL COOLER		
4028781		1	GASKET, F.I.P. TO PLATE		
0923637		2	O-RING, OIL COOLER		
0923621		2	O-RING, FILTER TO CLR.		
0923934		1	O-RING, MTR. METER DRIVE		
0923822		1	O-RING, WATER PUMP		
4026887		1	GASKET, WATER PUMP		
0923817		1	O-RING, DRIVE HOUSING		
4255661		1	O-RING, ADAPTOR F.I.P. TO FRONT PLATE		
0923684		1	O-RING, VOLUTE		
4056517		1	GASKET, WATER FILTER		
4025017		1	GASKET, WTR. INLET PAD		
4349984		1	GASKET, OIL COOLER		
4029291		1	GASKET, L.O. FILTER TO BRKT.		
4027570		1	GASKET, HOUR MTR. FSG.		
0923814		1	O-RING, COOLER TO BLOCK		
0923576		1	O-RING, HR. METER FSG.		

CONTINUED

GASKET KITS & PACKAGED PARTS (CONTINUED)

ITEM	PART NUMBER	QTY	DESCRIPTION	PACKAGE NO
	0923649	2	FLANGE TO COOLER	
	0928366	2	O-RING, FILTER TO COOLER	
3	4029473	*	GASKET KIT, OIL PAN	
	4026602	1	GASKET, OIL PAN	
	0923934	4	O-RING, OIL PUMP TUBES	
	4028070	1	GASKET, OIL PUMP SUCTION	
	0928302	2	O-RING, OIL PUMP TUBES	
4	4029506	*	REPAIR KIT, WATER PUMP	
	-----	1	BEARING AND SHAFT ASSY.	
	4254608	1	RING, SNAP	
	4025710	1	SEAL ASSY.	
	4025067	1	IMPELLER ASSY.	
	0923822	1	O-RING, WATER PUMP TO VOLUTE	
	4026887	1	GASKET	
5	4029284	*	SLEEVE KIT (INCL. PISTON) (FOR 1 CYLINDER)	
			3500 ENGINE	
	4028879	1	SLEEVE, CYLINDER	
	4025015	1	O-RING	
	4028875	2	O-RING	
	4026505	1	PIN, PISTON	
	4254608	2	RETAINER, PISTON PIN	
	4028023	1	PISTON	
	4028036	1	RING SET, PISTON	
6	4029423	*	SLEEVE KIT (INCL. PISTON) (FOR 1 CYLINDER)	
			3400 ENGINE	
	4028879	1	SLEEVE, CYLINDER	
	4025015	1	O-RING	
	4028875	2	O-RING	
	4026505	1	PIN, PISTON	
	4254608	2	RETAINER, PISTON PIN	
	4029137	1	PISTON	
	4028036	1	RING SET, PISTON	
7	4028036	*	RING SET, PISTON (F/I PISTON)	
	-----	1	RING, TOP	
	-----	1	RING, SECOND	
	-----	1	RING, THIRD	
	-----	1	RING, OIL CONTROL	
8	4060745	*	GASKET KIT, ROOSA PUMP	
	4052540	2	SEAL, DRIVE SHAFT	
	4369432	2	WASHER, TORQUE SCREW HOLE PLUG	
	4048596	1	SEAL, PILOT TUBE	
	4048604	2	GASKET, TIMING LINE COVER	
	4369444	1	SEAL, HEAD	
	4050417	1	SEAL, TRANSFER PUMP	
	4369452	1	WASHER, CAM LOCATING SCREW	
	4369595	2	SEAL, END PLATE SLEEVE	
	4369595	2	SEAL, HEAD LOCATING SCREW	
	4050410	2	SEAL, PIVOT SHAFT	
	4369878	1	SEAL, TORQUE SCREW	
	4369878	1	SEAL, SHUT-OFF SHAFT	
	4369878	1	SEAL, THROTTLE SHAFT	
	4369878	1	SEAL, GUIDE STUD	
	4369878	1	SEAL, ADVANCE ADJUSTING SCREW	
	4048630	1	GASKET, CONTROL COVER	
	4369599	1	SEAL, FILTER CAP	
	4369599	1	RING, DRIVE SHAFT	
	4054589	2	SEAL, ADVANCE PISTON HOLE PLUG	
	4061170	2	SEAL, ADVANCE PISTON HOLE PLUG	
	4054585	1	SEAL, ADVANCE SCREW HOLE PLUG	
	4051365	1	SEAL, LOW IDLE SCREW	

GASKET KITS & PACKAGED PARTS (CONTINUED)

ITEM	PART NUMBER	QTY	DESCRIPTION	PACKAGE NO
	4048650	1	WASHER, GUIDE STUD	
	4059575	1	RING, FLEXIBLE RETAINING	
	4053375	1	WASHER, THROTTLE SHAFT SEAL	
	4053375	1	WASHER, SHUT-OFF SHAFT SEAL	
	4055962	1	SEAL, ELEMENT	
	4059134	1	SEAL, REGULATING PISTON	
	4059238	1	SEAL, ADVANCE PISTON RING	
	4027748	12	WASHER, FUEL LINE	
	4055966	1	PLUG, END PLATE PIPE (NYLON)	
	4056350	1	PLUG, END PLATE PIPE (NYLON)	
	4048649	1	SEAL, HEAD LOCATING SCREW	
	4059258	1	SEAL, HEAD BYPASS HOLE PLUG	
	4050914	1	SEAL, HEAD LOCATING SCREW	
9	4061333	*	GASKET KIT, SIMMS PUMP REPLACES 4060746	
	4060388	2	SEAL, OIL	
	4060423	2	WASHER, BRIDGE PLATE LOCATING SCREW	
	4060447	1	WASHER, SHUT-OFF SHAFT	
	4060462	1	SHROUD, EXCESS FUEL SHAFT	
	4060482	1	GASKET, GOVERNOR COVER	
	4060493	2	WASHER, PLUG	
	4061312	6	WASHER, DISCHARGE FITTING	
	4060546	1	O-RING, INSPECTION COVER	
	4061321	1	GASKET, SUPPLY PUMP	
	4060559	1	O-RING, FULCRUM PIN	
	4060611	6	O-RING, DELIVERY VALVE	
	4060567	4	O-RING, SCREW CONTROL/SHUT-OFF SHAFT	
	4060578	1	O-RING, SHUT-OFF SHAFT	
	4023742	1	WASHER, FELT, SRS LEVER	
	4060556	1	WASHER, PLUG	
	4060392	1	WASHER, PIVOT PIN	
	4061301	1	WASHER, HYD RETARD DEVICE	
	4061303	1	O-RING, COVER HYD RETARD DEVICE	
	4061306	1	GASKET, PIVOT AY	
	4060488	14	WASHER, SEALING	
10	4029401	*	REPAIR KIT, FOR WATER PUMP 4029317	
	4029319	1	BEARING & SHAFT AY	
	4025710	1	SEAL AY	
	4029320	1	FACE AY., SEAL	
	0923971	1	O-RING	
	4029321	1	IMPELLER	
11	4035204	*	REPAIR KIT, FOR WATER PUMP 4035145	
	4029319	1	BEARING & SHAFT AY	
	4025710	1	SEAL AY	
	4029320	1	FACE AY., SEAL	
	4035147	1	IMPELLER	
	0923971	1	O-RING	
12	4035000	*	WATER PUMP KIT	
	4029488	1	PUMP, WATER	
	4025106	1	GASKET	
	4026887	1	GASKET	
	0923684	1	O-RING	
	0923664	2	O-RING	
13	4035002	*	WATER PUMP KIT	
	4029490	1	PUMP, WATER	
	4025106	1	GASKET	
	4026887	1	GASKET	
	0923684	1	O-RING	
	0923664	2	O-RING	

GASKET KITS & PACKAGED PARTS CONTINUED)

ITEM	PART NUMBER	QTY.	DESCRIPTION	PACKAGE NO.
14	4035005	*	WATER PUMP KIT	
	4025106	1	GASKET	
	4016887	1	GASKET	
	0923684	1	O-RING	
	0923664	2	O-RING	
15	4035203	*	WATER PUMP KIT	
	4035145	1	PUMP, WATER	
	4025106	1	GASKET	
	4026887	1	GASKET	
	0923684	1	O-RING	
	0923664	2	O-RING	

NOTE: METHOD OF SUPPLY CHANGES
 PISTONS, CYLINDER SLEEVES, SLOW-MOVING PISTON AND SLEEVE KITS

In addition to piston and sleeve kits, it has also been customary to supply their component pistons and cylinder sleeves as individual items. Reworking of our inventory is in process that will change the method of component supply to:

- . A piston kit which includes one (1) each piston, piston pin, piston ring set, two (2) piston pin retainers and necessary instruction sheets.
- . A sleeve kit which includes one (1) cylinder sleeve and the necessary sleeve packing rings and instruction sheets.

Individual pistons and sleeves as such will be superseded by their respective kits as stock rework occurs. In the interim please continue to order individual component pistons and sleeves as in the past. Commence ordering the new kits as you are made aware of supersessions through MNI supplements or order change by the Central Parts Operation. We will continue to supply on a piece part basis piston pins, piston ring sets, piston pin retainers and cylinder sleeve o-rings.

Also, where sales movement justifies, the combination piston and sleeve kit is still available. Slow-moving piston and sleeve kits will be superseded through MNI supplement by the appropriate piston kit and sleeve kit.

This new concept provides a number of benefits, some of which are:

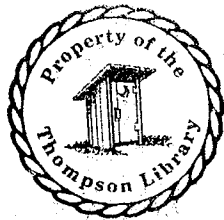
- . Less Order Picking Time
- . Inventory Flexibility
- . Customer Convenience

GASKET KITS & PACKAGE PARTS (CONTINUED)

ITEM	PART NUMBER	QTY	DESCRIPTION	PACKAGE NO
16	4061451 4025030	* 12	BEARING KIT, CONN ROD, STD. BEARING	
17	4061452 4025253	* 12	BEARING KIT, CONN ROD, .002 BEARING, .002	
18	4061453 4025254	* 12	BEARING KIT, CONN ROD, .010 BEARING, .010	
19	4061454 4025255	* 12	BEARING KIT, CONN ROD, .020 BEARING, .020	
20	4061455 4025257	* 12	BEARING KIT, CONN ROD, .040 BEARING, .040	
21	4061456 4028020 4025007 4028021 4025009	* 5 5 2 2	BEARING KIT, MAIN, STD. BEARING, FRT & INTERMEDIATE UPPER, STD BEARING, FRT & INTERMEDIATE LOWER, STD BEARING, CENTER & REAR UPPER, STD BEARING, CENTER & REAR LOWER, STD	
22	4061457 4028040 4025267 4028045 4025277	* 5 5 2 2	BEARING KIT, MAIN, .010 BEARING, FRT & INTERMEDIATE UPPER, .010 BEARING, FRT & INTERMEDIATE LOWER, .010 BEARING, CENTER & REAR UPPER, .010 BEARING, CENTER & REAR LOWER, .010	
23	4061458 4028041 4025268 4028046 4025278	* 5 5 2 2	BEARING KIT, MAIN, .020 BEARING, FRT & INTERMEDIATE UPPER, .020 BEARING, FRONT & INTERMEDIATE LOWER, .020 BEARING, CENTER & REAR UPPER, .020 BEARING, CENTER & REAR LOWER, .020	
24	4061459 4028043 4025270 4028048 4025280	* 5 5 2 2	BEARING KIT, MAIN, .040 BEARING, FRT & INTERMEDIATE UPPER, .040 BEARING, FRT & INTERMEDIATE LOWER, .040 BEARING, CENTER & REAR UPPER, .040 BEARING, CENTER & REAR LOWER, .040	
25	4061447 4025010 4025011 4251746	* 2 2 4	THRUST FLANGE KIT, CTR MAIN, STD FLANGE, THRUST UPPER, STD FLANGE, THRUST LOWER, STD PIN, GROOVE	
26	4061448 4025263 4025260 4251746	* 2 2 4	THRUST FLANGE KIT, CTR MAIN, .005 FLANGE, THRUST UPPER, .005 FLANGE, THRUST LOWER, .005 PIN, GROOVE	
27	4061449 4025264 4025261 4251746	* 2 2 4	THRUST FLANGE KIT, CTR MAIN, .010 FLANGE, THRUST UPPER, .010 FLANGE, THRUST LOWER, .010 PIN, GROOVE	
28	4061450 4025265 4025262 4251746	* 2 2 4	THRUST FLANGE KIT, CTR MAIN, .015 FLANGE, THRUST UPPER, .015 FLANGE, THRUST LOWER, .015 PIN, GROOVE	
29	4035001 4029489 4026887 4025106 0923684 0923664	* 1 1 1 1 2	WATER PUMP KIT WATER PUMP GASKET GASKET O RING O RING	

CONTINUED

75



NUMERICAL INDEX

PART NO	PAGE NO	PART NO	PAGE NO	PART NO	PAGE NO	PART NO	PAGE NO	PART NO	PAGE NO
-----	32	0904205	55	0910287	25	0912069	63	0916197	45
0160150	23	0904205	55	0910287	27	09122C1	44	0916197	53
-----	72	0904205	55	0910287	27	09122C1	45	0916197	69
-----	72	0904205	58	0910287	27	09122C1	69	0916255	69
-----	72	0904205	58	0910287	30	0912298	48	0916269	2
-----	72	0904205	58	0910287	31	0912367	18	0916269	23
0063890	66	0904205	60	0910287	32	0912415	2	0916269	27
0063891	66	0904205	61	0910287	33	0912415	2	0916269	32
0076668	65	0904205	63	0910287	37	0912483	45	0916271	10
0080758	66	0904205	69	0910287	37	0912772	36	0916271	10
0082443	65	0904207	24	0910287	38	0913230	70	0916271	11
0082444	65	0904207	40	0910287	41	0913257	70	0916271	11
0082449	65	0904207	41	0910287	44	0913544	4	0916271	18
0082487	65	0904207	42	0910287	45	0913544	10	0916271	23
0082488	65	0904207	43	0910287	46	0913544	11	0916271	27
0082489	65	0904207	44	0910287	46	0913544	18	0916271	30
0082490	65	0904207	45	0910287	49	0913544	27	0916271	49
0082491	65	0904207	48	0910287	53	0913544	27	0916271	53
0082493	65	0904207	53	0910287	56	0913544	30	0916272	4
0082505	65	0904207	69	0910287	60	0913544	32	0916272	23
0084897	66	0904207	69	0910287	60	0913544	41	0916272	25
0084899	66	0904208	13	0910287	60	0913544	63	0916272	25
0089894	45	0904208	24	0910287	61	09140E1	49	0916272	36
0096815	65	0904208	25	0910287	61	0914383	69	0916272	44
0096816	65	0904208	36	0910287	61	0914392	21	0916272	45
0237134	27	0904209	68	0910287	63	0914392	22	0916273	61
0239400	31	0904209	68	0910287	63	0914392	40	0916273	64
0239400	36	0904223	43	0910287	64	0914392	55	0916274	46
0239621	27	0904224	60	0910323	21	0914392	58	0916275	18
0240401	27	0904224	62	0910323	55	0914498	41	0916275	60
0240432	27	0904224	64	0910323	55	0914847	11	0916275	60
0243986	62	0904271	45	0910323	55	0914847	41	0916275	61
0243986	64	0904271	70	0910323	58	0914876	68	0916275	63
0243987	62	0904271	70	0910324	15	0914876	68	0916277	20
0243987	64	0905845	5	0910324	17	0915343	13	0916279	55
0244418	31	0905845	6	0910324	49	091540E	10	0916279	58
0630540	65	0905845	6	0910324	56	091540E	15	0916280	70
0658348	62	0905845	6	0910335	53	091540E	17	0916284	27
0658348	64	0907059	2	0910376	18	091540E	23	0916284	31
0900576	65	0910123	10	0910880	27	0915807	55	0916284	33
0901469	2	0910240	18	0910880	31	0915807	55	0916311	13
0904203	49	0910287	2	0910880	33	0915807	58	0916319	20
0904203	53	0910287	4	0910880	62	0915807	60	0916324	24
0904204	13	0910287	10	0910880	64	0915807	61	0916383	10
0904204	27	0910287	10	0910948	37	0915807	63	0916777	24
0904204	31	0910287	11	0910948	37	0915809	20	0916868	42
0904204	33	0910287	11	0911024	65	0915987	20	0916956	46
0904204	62	0910287	15	0911049	65	0916001	20	0916956	46
0904204	64	0910287	17	0911115	23	0916009	9	0917026	45
0904205	20	0910287	18	0911435	18	0916191	24	0917135	54
0904205	21	0910287	18	0911437	18	0916191	40	0917135	58
0904205	22	0910287	20	0912064	18	0916197	41	0917330	70
0904205	40	0910287	23	0912069	11	0916197	42	0917415	49
0904205	54	0910287	25	0912069	61	0916197	44	0917425	27

(CONTINUED)

NUMERICAL INDEX
(CONTINUED)

PART NO	PAGE NO	PART NO	PAGE NO	PART NO	PAGE NO	PART NC	PAGE NO	PART NC	PAGE NO
0917425	29	0919224	10	0921884	49	0927055	49	4023742	73
0917536	2	0919224	27	0921884	49	0927140	30	4023882	53
0917542	2	0919224	31	0921884	53	0927140	32	4023883	53
0917547	22	0919224	31	0921885	48	0927198	70	4023884	53
0917806	53	0919224	33	0922377	20	0927452	60	4024215	49
0917806	53	0919224	36	0922465	60	0927452	61	4024229	49
0917806	53	0919224	37	0922465	61	0927476	31	4024232	49
0917806	54	0919224	37	0922660	31	0927476	33	4024235	49
0917806	58	0919224	38	0922660	33	0927589	63	4024237	49
0917806	70	0919224	46	0922660	70	0927791	53	4024258	53
0917807	31	0919224	51	0922967	45	0928049	71	4025007	3
0917807	33	0919224	52	0923167	49	0928202	35	4025007	75
0917807	44	0919225	60	0923576	71	0928302	20	4025009	3
0917807	44	0919225	61	0923621	24	0928302	72	4025009	75
0917807	46	0919225	63	0923621	71	0928366	24	4025010	3
0917807	46	0919227	37	0923637	24	0928366	72	4025010	75
0917807	48	0919228	43	0923637	71	0928564	53	4025011	3
0917807	48	0919230	25	0923649	72	0928599	2	4025011	75
0917807	49	0919800	58	0923664	25	0928602	70	4025015	2
0917807	53	0919840	13	0923664	71	0928915	44	4025015	72
0917809	53	0919840	27	0923664	73	0928947	44	4025015	72
0917809	53	0919840	30	0923664	73	0929996	38	4025017	71
0917809	53	0920242	54	0923664	74	0930506	59	4025019	71
0917809	54	0920242	58	0923664	74	0930907	53	4025021	2
0917809	58	0920280	31	0923664	76	4020102	11	4025021	4
0917809	70	0920280	33	0923684	37	4020145	51	4025021	71
0917810	31	0920333	43	0923684	38	4020145	52	4025025	2
0917810	33	0920416	40	0923684	71	4020879	13	4025030	7
0917810	44	0920416	41	0923684	73	4020879	71	4025030	75
0917810	44	0920416	42	0923684	73	4020880	27	4025031	7
0917810	46	0920416	43	0923684	74	4020880	27	4025041	5
0917810	46	0920469	36	0923684	74	4021152	41	4025062	3
0917810	48	0920525	2	0923684	76	4021454	19	4025067	37
0917810	48	0920525	23	0923692	3	4021711	4	4025067	72
0917810	49	0920525	27	0923814	71	4022129	2	4025068	37
0917810	53	0920539	11	0923817	71	4022339	19	4025068	38
0918237	62	0920612	48	0923822	71	4022430	19	4025077	11
0918237	64	0920660	53	0923822	72	4022595	14	4025082	11
0918266	49	0920787	35	0923934	48	4022595	17	4025097	13
0918297	6	0920790	31	0923934	71	4022903	59	4025097	71
0918683	36	0920790	33	0923934	72	4023548	24	4025101	41
0918801	48	0921023	2	0923971	38	4023556	46	4025101	42
0918829	38	0921073	25	0923971	71	4023556	48	4025101	43
0918829	38	0921076	31	0923971	73	4023556	53	4025101	71
0918851	2	0921534	58	0923971	73	4023557	53	4025101	71
0918851	13	0921539	11	0924189	53	4023568	54	4025103	42
0919005	44	0921727	69	0924189	54	4023570	59	4025103	43
0919015	11	0921881	53	0924694	9	4023571	59	4025106	41
0919040	70	0921884	46	0924817	20	4023654	46	4025106	71
0919134	2	0921884	46	0925053	69	4023654	46	4025106	71
0919134	24	0921884	48	0925821	19	4023720	46	4025106	73
0919134	27	0921884	48	0925964	15	4023720	48	4025106	73
0919134	44	0921884	49	0926328	53	4023720	49	4025106	74
0919134	45	0921884	49	0926772	67	4023721	48	4025106	74

NUMERICAL INDEX
(CONTINUED)

PART NO	PAGE NO	PART NO	PAGE NO	PART NO	PAGE NO	PART NO	PAGE NO	PART NO	PAGE NO
4025106	75	4025263	3	4025662	62	4027320	23	4028036	72
4025115	6	4025263	75	4025662	64	4027332	7	4028036	72
4025120	71	4025264	3	4025690	27	4027334	7	4028036	72
4025139	37	4025264	75	4025710	37	4027355	2	4028040	3
4025146	59	4025265	3	4025710	38	4027454	4	4028040	75
4025148	59	4025265	75	4025710	72	4027504	27	4028041	3
4025149	59	4025267	3	4025710	73	4027505	29	4028041	75
4025150	59	4025267	75	4025710	73	4027509	13	4028043	3
4025150	71	4025268	3	4025719	27	4027529	29	4028043	75
4025164	15	4025268	75	4025720	27	4027547	4	4028045	3
4025164	17	4025270	3	4025720	29	4027548	4	4028045	75
4025165	15	4025270	75	4025781	27	4027570	71	4028046	3
4025165	17	4025277	3	4025781	30	4027579	68	4028046	75
4025166	15	4025277	75	4025781	22	4027579	68	4028048	3
4025166	17	4025278	3	4025781	71	4027583	22	4028048	75
4025175	18	4025278	75	4025922	36	4027598	14	4028052	20
4025176	18	4025280	4	4025925	36	4027598	16	4028053	22
4025177	15	4025280	75	4025979	69	4027598	71	4028055	21
4025177	17	4025298	2	4025946	17	4027637	3	4028059	25
4025179	16	4025299	2	4025982	27	4027708	27	4028063	71
4025182	16	4025300	2	4025992	23	4027714	32	4028064	71
4025185	16	4025301	2	4026004	56	4027719	31	4028066	68
4025186	14	4025303	56	4026062	12	4027719	33	4028070	21
4025186	16	4025343	10	4026382	2	4027719	33	4028070	72
4025187	18	4025343	71	4026460	11	4027723	15	4028070	72
4025188	18	4025343	71	4026505	7	4027733	60	4028074	71
4025188	18	4025367	71	4026505	72	4027735	10	4028076	53
4025189	18	4025376	30	4026505	72	4027739	65	4028078	22
4025191	18	4025376	33	4026548	11	4027739	67	4028079	22
4025192	18	4025376	71	4026548	71	4027742	31	4028086	3
4025193	18	4025385	55	4026549	71	4027748	58	4028110	18
4025194	18	4025385	58	4026579	27	4027748	73	4028162	15
4025237	18	4025385	71	4026579	71	4027751	10	4028289	13
4025238	2	4025427	13	4026602	23	4027751	71	4028443	6
4025242	14	4025461	11	4026602	72	4027752	10	4028447	37
4025242	17	4025470	68	4026605	22	4027752	71	4028447	38
4025247	3	4025470	68	4026699	3	4027765	32	4028468	60
4025249	56	4025472	15	4026887	37	4027769	11	4028468	61
4025250	56	4025472	17	4026887	71	4027772	17	4028472	6
4025253	7	4025472	71	4026887	72	4027774	15	4028527	30
4025253	75	4025491	15	4026887	73	4027775	15	4028567	12
4025254	7	4025491	17	4026887	73	4027882	59	4028608	5
4025254	75	4025528	37	4026887	74	4027909	70	4028641	14
4025255	7	4025555	17	4026887	74	4027914	15	4028641	17
4025255	75	4025585	16	4026887	75	4027958	21	4028642	14
4025257	7	4025594	43	4027013	14	4027960	20	4028642	16
4025257	75	4025603	70	4027013	16	4027975	30	4028643	14
4025258	2	4025622	69	4027014	27	4027975	32	4028643	16
4025259	2	4025622	71	4027014	29	4028020	3	4028644	15
4025260	3	4025626	48	4027014	71	4028020	75	4028644	17
4025260	75	4025632	71	4027024	71	4028021	3	4028672	9
4025261	3	4025634	70	4027042	28	4028021	75	4028684	6
4025261	75	4025653	69	4027042	29	4028023	7	4028716	53
4025262	3	4025661	62	4027247	41	4028023	72	4028733	11
4025262	75	4025661	64	4027303	10	4028036	7	4028742	11

NUMERICAL INDEX
(CONTINUED)

PART NO	PAGE NO	PART NO	PAGE NO	PART NO	PAGE NO	PART NO	PAGE NO	PART NO	PAGE NO
4028773	14	4029013	54	4029319	73	4029556	12	4053375	73
4028773	16	4029014	59	4029319	73	4029572	71	4053422	35
4028781	53	4029020	37	4029320	38	4029573	71	4054585	72
4028781	71	4029042	27	4029320	73	4029575	11	4054589	72
4028795	27	4029052	55	4029320	73	4029586	44	4055341	69
4028802	48	4029052	58	4029321	38	4029586	45	4055962	73
4028820	24	4029052	58	4029321	73	4029587	23	4055966	73
4028820	71	4029053	11	4029322	38	4029588	49	4056278	69
4028821	25	4029053	60	4029323	40	4029626	17	4056300	35
4028822	25	4029053	61	4029324	40	4029653	44	4056350	73
4028822	71	4029053	64	4029324	71	4029694	44	4056517	71
4028823	25	4029053	71	4029325	24	4029772	40	4059134	73
4028823	71	4029062	19	4029327	40	4029788	44	4059238	73
4028824	24	4029063	2	4029327	71	4029792	44	4059258	73
4028826	24	4029083	55	4029329	39	4029875	44	4059373	65
4028827	25	4029084	55	4029330	42	4029877	20	4059373	67
4028829	25	4029084	58	4029361	60	4029974	51	4059575	73
4028834	2	4029088	45	4029361	60	4029978	51	4059620	50
4028835	54	4029089	44	4029362	10	4031159	55	4059802	67
4028836	54	4029089	45	4029368	61	4031159	58	4059810	67
4028837	54	4029120	44	4029368	63	4035000	73	4059811	67
4028838	54	4029120	45	4029376	69	4035001	75	4059812	67
4028839	54	4029129	37	4029378	60	4035002	73	4059813	67
4028840	54	4029137	7	4029380	69	4035005	74	4059814	67
4028860	58	4029137	72	4029401	73	4035068	63	4059817	67
4028870	58	4029170	53	4029402	11	4035071	63	4059984	35
4028871	54	4029173	53	4029422	23	4035117	44	4059987	35
4028871	58	4029176	53	4029423	72	4035145	74	4059988	35
4028875	2	4029207	30	4029449	53	4035147	73	4059990	34
4028875	72	4029207	32	4029459	43	4035203	74	4059991	34
4028875	72	4029207	34	4029473	72	4035204	73	4059992	35
4028876	24	4029210	45	4029479	58	4040305	69	4059993	35
4028879	2	4029233	33	4029480	58	4040341	70	4059997	34
4028879	72	4029235	33	4029481	58	4040345	69	4059998	34
4028879	72	4029238	31	4029482	58	4048596	56	4060011	34
4028887	20	4029238	33	4029483	58	4048596	72	4060388	73
4028888	20	4029247	70	4029484	58	4048604	72	4060392	73
4028890	10	4029250	48	4029486	58	4048630	72	4060423	73
4028901	53	4029251	48	4029487	58	4048649	50	4060436	53
4028905	60	4029252	17	4029488	37	4048649	73	4060447	73
4028905	61	4029253	55	4029488	73	4048650	73	4060462	73
4028905	63	4029254	55	4029489	75	4050417	72	4060482	73
4028922	11	4029255	55	4029490	37	4050637	50	4060488	73
4028944	14	4029256	15	4029490	73	4050638	50	4060493	73
4028944	17	4029256	17	4029502	13	4050645	50	4060546	73
4028945	48	4029257	15	4029506	72	4050646	50	4060547	53
4028953	36	4029257	17	4029516	53	4050910	72	4060556	73
4028963	60	4029271	14	4029517	46	4050914	73	4060559	73
4028963	61	4029271	16	4029520	46	4051365	72	4060567	73
4028963	63	4029284	72	4029534	52	4052540	72	4060578	73
4028993	31	4029291	71	4029535	51	4053035	50	4060611	73
4028995	31	4029299	71	4029535	52	4053036	50	4060693	67
4028997	71	4029317	38	4029536	52	4053037	50	4060695	50
4029000	19	4029317	74	4029552	56	4053375	73	4060726	35

NUMERICAL INDEX
(CONTINUED)

PART NO	PAGE NO	PART NO	PAGE NO	PART NO	PAGE NO	PART NC	PAGE NO	PART NO	PAGE NO
4060745	72	4254156	70	4354481	68	45137C1	29		
4060747	46	4254608	7	4356598	46	4515187	27		
4060748	46	4254608	72	4358577	69	4516431	60		
4060749	47	4254608	72	4358580	69	4516431	61		
4060751	47	4254608	72	4359310	20	4516431	63		
4060752	47	4254756	45	4359805	12	451676C	27		
4060753	47	4254864	19	436709C	51	4650229	70		
4060754	47	4254864	22	436709C	52	4704244	69		
4060755	66	4254873	10	4369432	72	4716C9C	70		
4060859	59	4254873	10	4369444	72				
4060935	35	4254902	10	4369451	58				
4060936	34	4254905	10	4369452	72				
4060939	35	4255093	42	4369595	72				
4060940	35	4255107	15	4369595	72				
4060944	35	4255107	17	4369599	72				
4060945	35	4255109	2	4369599	72				
4060947	35	4255286	45	4369878	72				
4060948	35	4255286	70	4369878	72				
4060949	35	4255286	70	4369878	72				
4060950	34	4255287	45	4369878	72				
4060956	50	4255432	62	4369878	72				
4061170	72	4255432	64	4371107	28				
4061301	73	4255528	43	4371107	29				
4061302	53	4255545	60	4371118	51				
4061303	73	4255545	62	4371118	52				
4061306	73	4255545	64	4371718	56				
4061312	73	4255577	2	4371891	70				
4061321	73	4255577	14	4372378	70				
4061333	73	4255577	17	4372864	13				
4061447	75	4255661	56	4376497	15				
4061448	75	4255661	71	4376497	17				
4061449	75	4255977	27	4380652	59				
4061450	75	4255977	30	438609C	13				
4061451	75	4255977	32	4389823	69				
4061452	75	4255982	2	4393427	44				
4061453	75	4255983	31	4393427	45				
4061454	75	4255983	71	4446414	27				
4061455	75	4304907	12	4500231	2				
4061456	75	4336491	9	4500231	24				
4061457	75	4336532	55	4501149	54				
4061458	75	4336532	58	4501149	58				
4061459	75	4338174	70	4504409	54				
4153776	15	4338301	33	4504409	58				
4153776	17	4338943	36	4507374	2				
4251367	48	4338943	71	4507374	24				
4251746	3	4339532	30	4507673	2				
4251746	75	4339532	33	4507673	25				
4251746	75	4339532	71	4511213	59				
4251746	75	4343799	14	4512343	27				
4251746	75	4343799	17	4512343	27				
4253555	67	4349984	71	4512343	71				
4253739	17	4352409	42	4513206	18				
4253977	17	4353370	61	4513207	27				
4254156	15	4353370	63	4513701	27				



ALL TECHNICAL PUBLICATIONS MUST BE ORDERED FROM AN ALLIS-CHALMERS DEALER

IMPORTANT

Always furnish the following information (available from the engine nameplate secured to side of the engine) when ordering manuals for a specific unit.

ENGINE MODEL

ENGINE CATALOG NUMBER

ENGINE SERIAL NUMBER

A-C ORDER NUMBER

**MANUAL FOR
CURRENT PRODUCTION UNITS**

Model	Parts	Operating & Maintenance
Industrial Engines and Power Units		
G-262	TPL-512-B	TM-5016-A
D-175	TPL-489-C	TM-5018-A
D-262	TPL-454-E	TM-5018-A
2800 & 2900 MK II	TPL-4111-2	TM-5067-2
3500 MK II	TPL-4108-2	TM-5071-2
11000	TPL-4112-2	TM-5070-2
16000 H, 16000 MKII, 17000 MKII, 21000 MKII, 25000 MKII	TPL-4110-2	TM-5069-2
61000 & 65000	TPL-4109-A	TM-5064-A
Diesel Electric Systems		
NOTE: Diesel Electric Systems operating and maintenance (TM) manuals (-3) include a TM-5063, main alternator and voltage regulator manual.		
DES-90	TPL-4108-3	** TM-5071-3
DES-125	TPL-4112-3	** TM-5070-3
DES-175/200/220/250	TPL-4110-3	** TM-5069-3
DES-500/550	TPL-4109	** TM-5064-A
DES-Service Handbook		*
Marine Engines		
25000 MKII	TPL-4110-4	TM-5001-A
Diesel Generator Drive Units		
D-262	TPL-454-E	TM-5018-A
2800 & 2900 MKI	TPL-4111-1	TM-5072-1
3500 MKII	TPL-4108-1	TM-5071-1
11000	TPL-4112-1	TM-5070-1
16000 H, 16000 MKII, 17000 MKII, 21000 MKII, 25000 MKII	TPL-4110-1	TM-5069-1
61000 & 65000	TPL-4109	TM-5064
Service (Overhaul) Manuals		
G-262 (Gasoline and Natural Gas Engines)		TM-5003
D-175 & D-262		TM-5049
2800 & 2900		TM-5028
3500		TM-5066
11000		TM-5034
16000 H, 21000 H, & 25000		TM-5006
16000 MKII, 17000 MKII, 21000 MKII, & 25000 MKII		TM*
Service Labor Guide		TM-5026
Fuel Systems		
Roosa Master Fuel Injection Pump	TPL-4059	TM-5023
Amer. Bosch APE Type Fuel Injection Pump	*	TM-5035
Robert Bosch Fuel Injection Pump	TPL-4097-B	TM-5058-A
Simms Fuel Injection Pump	TPL-4106	TM-5061
Fuel Injection Nozzle Assemblies	***	TM-5055-A
Special Application Manuals		
Turbocharger TO-4 Series (Airesearch)	***	TM-5057-A
Turbocharger T-1817, T-1818, T-1819, & T-1852		TM-5074
Engine Service Bulletins		
Historical Bulletins		*
Current Bulletins		*
Automotive Bulletins		*
*When ordering literature not assigned a number order by description. ***Not Available		
**Includes: Operating & Maintenance of Voltage Regulator & Main Alternators		

NOTE: When manuals are required for units not listed above, refer to Technical Publications Index, TM-5056.

2

Gavvy

The information contained herein is general in nature and is not intended for specific application purposes. Allis-Chalmers reserves the right to make changes in specifications shown herein, add improvements, or discontinue manufacture at any time without notice or obligation.

Gunny

