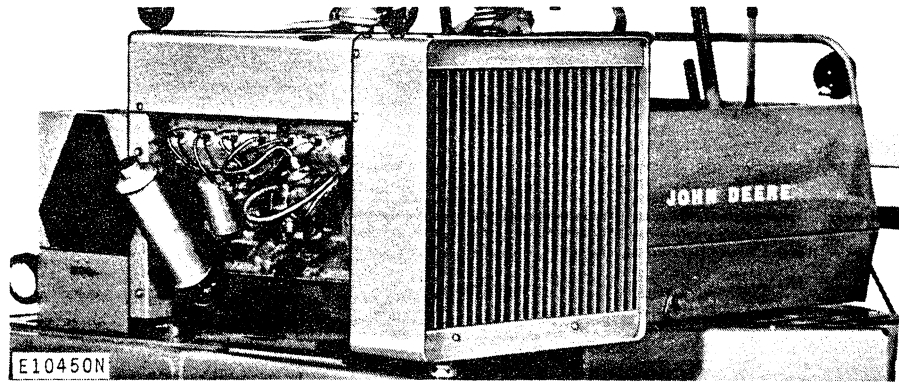




**JOHN DEERE**  
**Parts Catalog**

**MODEL HB-225 CHRYSLER ENGINE**

**PC1261**



Chrysler HB-225-665 Engine on 800 Self-Propelled Windrower

Manufactured (1971- )

**ALPHABETICAL INDEX**

	Page		Page
Air cleaner (800 and 830 Windrowers)	10	Gas filter	20
Air cleaner (2250 Windrower)	11	Gasoline fuel system	20
Air precleaner	12	Governor	16
Alternator (800 and 830 Windrowers)	23,24	Governor belt (800 and 830 Windrowers)	17
Alternator (2250 Windrower)	23,25	Governor belt (2250 Windrower)	18
Aspirator precleaner	12	Head, cylinder	4
Belt, fan (800 and 830 Windrowers)	17	Heat control package	15
Belt, fan (2250 Windrower)	18	Manifolds, exhaust and intake	15
Belt, governor (800 and 830 Windrowers)	17	Muffler (800 and 830 Windrowers)	13
Belt, governor (2250 Windrower)	18	Muffler (2250 Windrower)	14
Blade, fan (800 and 830 Windrowers)	17	Oil dipstick	4
Blade, fan (2250 Windrower)	18	Oil filter	9
Block, cylinder	2	Oil pan	3
Cables, spark plug	26	Oil pump	9
Camshaft	6	Pan, oil	3
Carburetor	21	Pipe, exhaust	13
Connecting rods, piston	8	Pistons	8
Cover, rocker arm	4	Plugs, spark	26
Crankshaft	7	Pump, fuel	20
Crankshaft bearings	7	Pump, oil	9
Cylinder block	2	Pump, water	19
Cylinder head	4	Regulator	23,25
Dipstick, oil	4	Resistor	26
Distributor	26,27,28	Rocker arms	5
Exhaust manifold	15	Rocker arm cover	4
Exhaust pipe (800 and 830 Windrowers)	13	Rods, piston connecting	8
Exhaust pipe (2250 Windrower)	14	Solenoid	22
Fan belt (800 and 830 Windrowers)	17	Spark plugs	26
Fan belt (2250 Windrower)	18	Spark plug cables	26
Fan blade (800 and 830 Windrowers)	17	Starter	22
Fan blade (2250 Windrower)	18	Thermostat	4
Filter, gas	20	Valves	5
Filter, oil	9	Water pump	19
Fuel pump	20		

**NOTE**

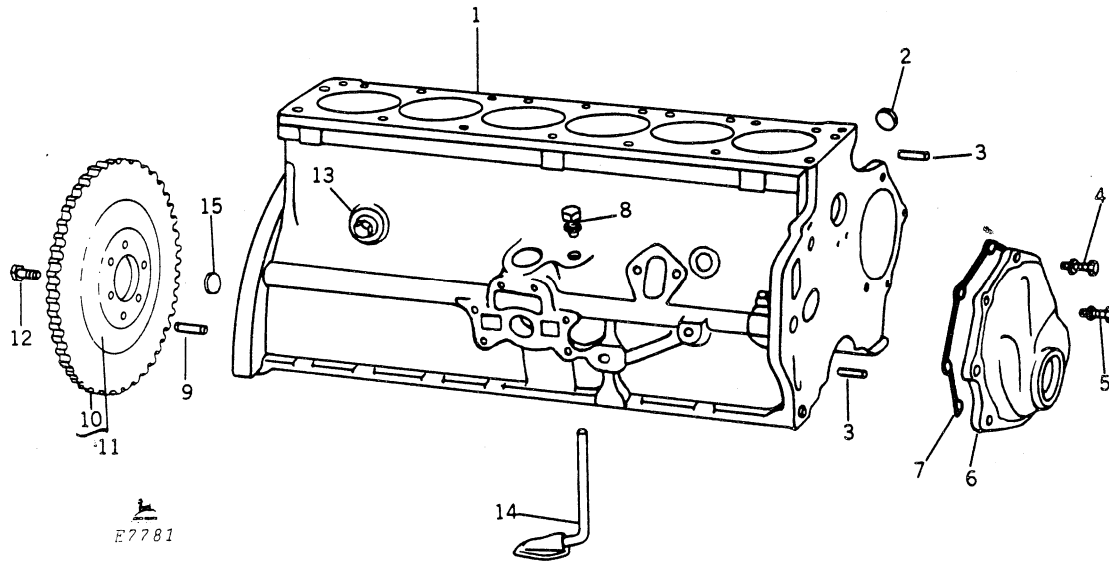
For 800 Windrower parts information, refer to parts catalog, PC-1260.  
 For 830 Windrower parts information, refer to parts catalog, PC-1312.  
 For 2250 Windrower parts information, refer to parts catalog, PC-1367.

(Specifications and design subject to change without notice.)

**AN EXPLANATION OF CHANGE INDICATOR LINE**

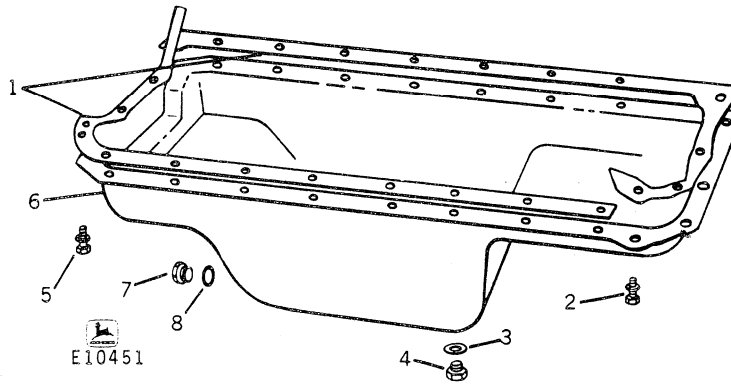
New and revised information is identified by vertical lines marked in the left-hand margin of revised pages. These lines indicate changes affecting the ordering of parts.

## CYLINDER BLOCK



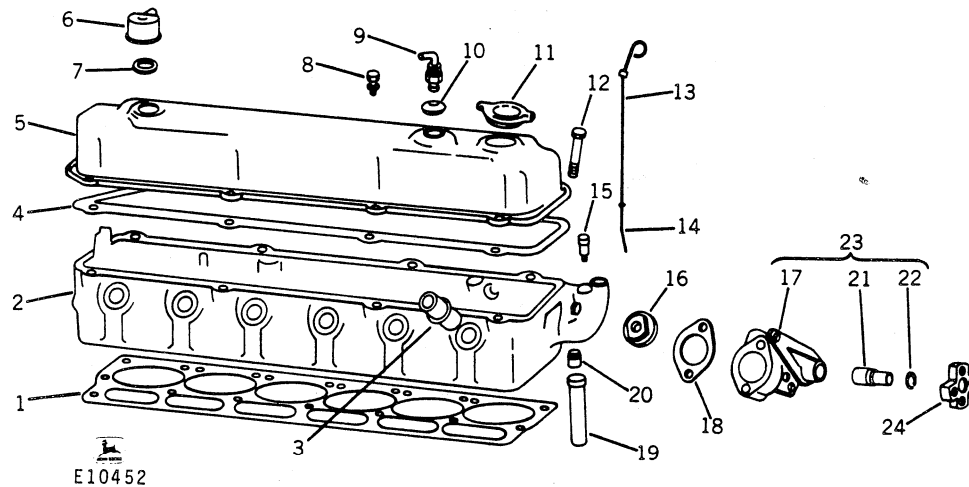
Key	Part No.	Serial No.	Description
1	AE 29627	( - )	Block, with pistons and rings (Chrysler No. 2463 399 or 2951 694)
2	E 49927	( - )	Plug, core hole (5 used) (Chrysler No. 2406 356)
3	E 49965	( - )	Pin, dowel (4 used) (Chrysler No. 141 195)
4	19H 1900	( - )	Screw, cap, 5/16" x 3/4" (6 used)
	12H 303	( - )	Washer, lock, 5/16"
5	AE 29690	( - )	Screw and washer (Chrysler No. 6024 246)
6	E 49964	( - )	Cover, chain case (Chrysler No. 2863 126)
7	E 49967	( - )	Gasket, chain cover (Chrysler No. 1947 554)
8	AE 29691	( - )	Screw with washer (Chrysler No. 6023 294)
9	E 49966	( - )	Pin, dowel (2 used) (Chrysler No. 1122 532)
10	AE 29678	( - )	Gear, ring (Chrysler No. 1673 646)
11	AE 31772	( - )	Flywheel with ring gear (sub. for AE29677)
12	19H 2247	( - )	Screw, cap, 7/16" x 1" (6 used)
13	H 26723	( - )	Plug, water drain (Chrysler No. 1859 127)
14	AE 30698	( - )	Strainer with suction pipe (Chrysler No. 2128 657) (sub. for AE29686)
15	E 49962	( - )	Plug, camshaft (Chrysler No. 2402 905)
..	AE 32415	( - )	Gasket set, engine, lower (Chrysler No. 3683 828)

**OIL PAN**



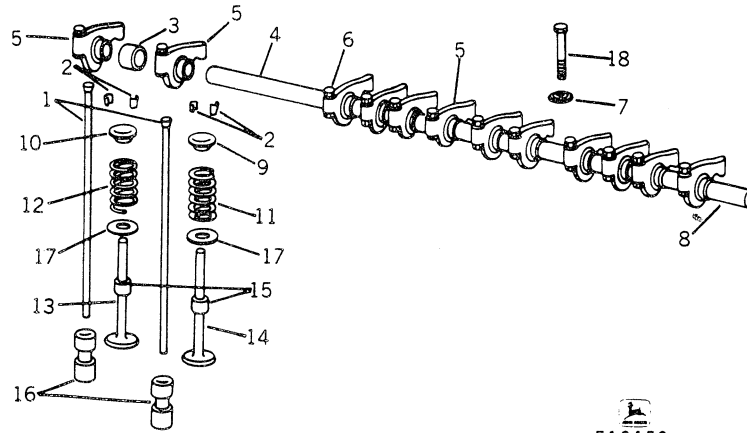
Key	Part No.	Serial No.	Description
1	AE 29687	( - )	Gasket package (Chrysler No. 2240 647)
2	AE 29689	( - )	Screw and washer (18 used) (Chrysler No. 6028 581)
3	E 50024	( - )	Gasket, drain plug (Chrysler No. 2268 513)
4	E 50023	( - )	Plug, drain (Chrysler No. 2125 890)
5	19H 2127	( - )	Screw, cap, 5/16" x 7/8" (6 used)
	12H 303	( - )	Washer, lock, 5/16"
6	AE 30697	( - )	Pan, oil (Chrysler No. 3458 504) (sub. for AE29688)
7	E 51660	( - )	Plug, drain (Chrysler No. 50 722)
8	E 51661	( - )	Gasket, plug (Chrysler No. 105 456)

## CYLINDER HEAD AND COVER



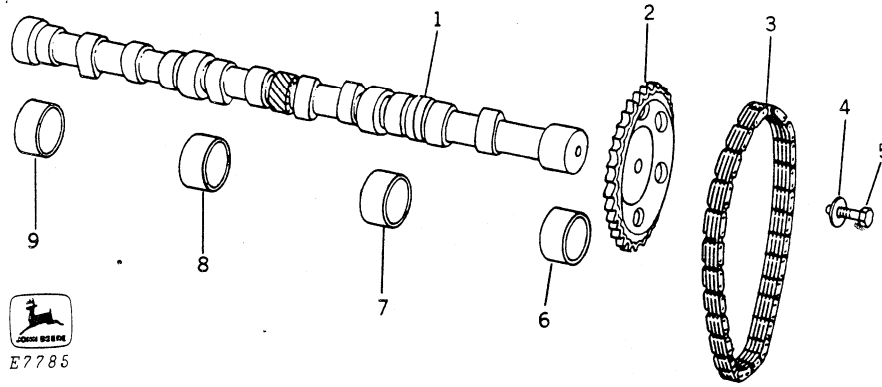
Key	Part No.	Serial No.	Description
1	E 49930	( - )	Gasket, head (Chrysler No. 2843 182)
2	AE 31195	( - )	Head, cylinder (Chrysler No. 3462 893) (sub. for E49929)
3	E 49925	( - )	Tube, spark plug (6 used) (Chrysler No. 2121 245)
	E 49926	( - )	Seal, spark plug tube (6 used) (Chrysler No. 1947 708)
4	E 49932	( - )	Gasket, cover (Chrysler No. 2899 250)
5	E 49931	( - )	Cover, head (Chrysler No. 2806 579)
6	AE 29720	( - )	Cap, vent and cleaner (Chrysler No. 3462 094)
7	E 50014	( - )	Grommet (Chrysler No. 2946 079)
8	19H 1919	( - )	Screw, cap, 1/4" x 5/8" (8 used)
	12H 302	( - )	Washer, lock, 1/4"
9	AE 29683	( - )	Valve, crankcase vent (Chrysler No. 3577 098 or 3577 099)
10	E 50015	( - )	Grommet (Chrysler No. 2536 926)
11	AE 29682	( - )	Cap, oil (Chrysler No. 2946 051)
12	E 50027	( - )	Screw, cylinder head (14 used) (Chrysler No. 1947 687)
13	AE 29409	( - 137169)	Indicator, oil level (Chrysler No. 3462 540)
	AE 30743	(137170 - )	Indicator, oil level
14	E 50054	( - 137169)	Tube, oil indicator (Chrysler No. 3418 423)
	E 51791	(137170 - )	Tube, oil indicator
15	AE 29304	( - )	Sending unit, temperature
16	AE 29620	( - )	Thermostat (Chrysler No. 3512 992)
17	E 49921	( - )	Elbow, water outlet (Chrysler No. 3675 845) (800 and 830 Windrowers)
18	E 49942	( - )	Gasket (Chrysler No. 1947 671)
19	E 49924	( - )	Hose, water pump bypass (Chrysler No. 1315 466) (cut from R45847)
20	E 49937	( - )	Nipple, pipe (Chrysler No. 1947 643)
21	AE 31739	( - )	Shaft and bearing, fan (Chrysler No. 2125 670) (2250 Windrower)
22	E 53536	( - )	Ring, snap (Chrysler No. 2846 080) (2250 Windrower)
23	AE 31325	( - )	Elbow with fan shaft, water outlet (Chrysler No. 3675 848) (2250 Windrower)
24	E 49922	( - )	Hub, fan (Chrysler No. 3671 525) (2250 Windrower)
..	AE 29676	( - 137169)	Gasket package, valve grind (Chrysler No. 3004 840) (sub. AE31814 and AE31815)
..	AE 31814	( - )	Gasket package, manifold (Chrysler No. 3683 826)
..	AE 31815	( - )	Gasket package, upper engine (Chrysler No. 3683 827)

**ROCKER ARMS AND VALVES**



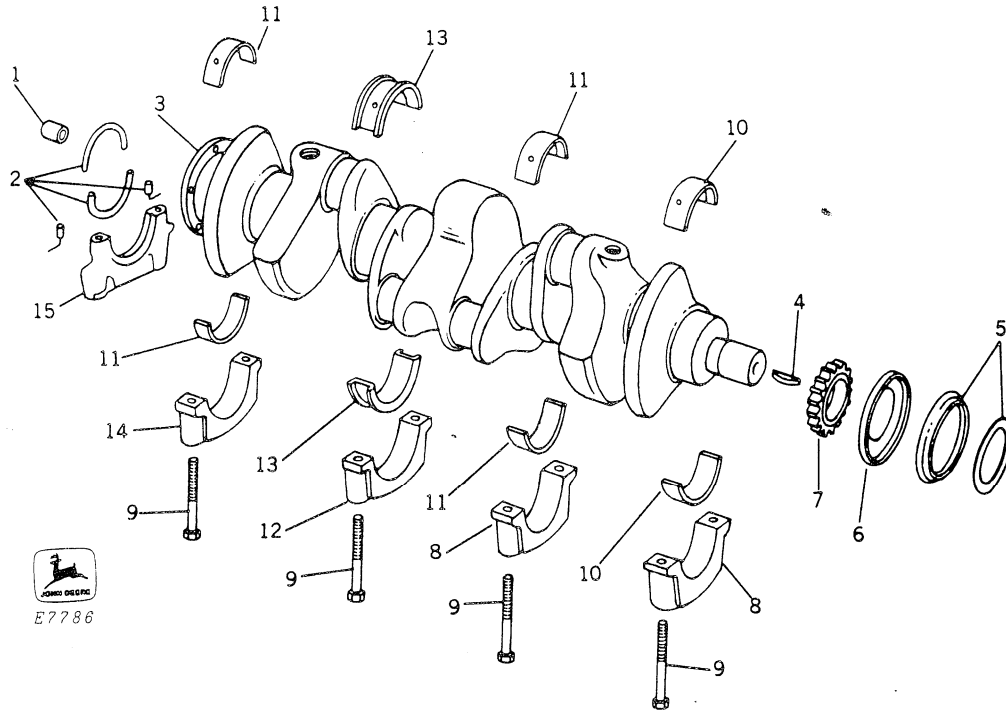
E10453

Key	Part No.	Serial No.	Description
1	E 49992	( - )	Rod, valve push (12 used) (Chrysler No. 2120 514)
2	E 49986	( - )	Lock, spring (24 used) (Chrysler No. 381 875)
3	E 49995	( - )	Spacer, rocker (6 used) (Chrysler No. 2120 694)
4	E 49996	( - )	Shaft, rocker (Chrysler No. 1947 614)
5	E 49993	( - )	Rocker (12 used) (Chrysler No. 1947 594)
6	E 49994	( - )	Screw, rocker (12 used) (Chrysler No. 1855 238)
7	E 49997	( - )	Retainer, end (6 used) (Chrysler No. 1947 616)
	E 49998	( - )	Retainer, center (Chrysler No. 1947 617)
8	E 49999	( - )	Plug, rocker shaft (2 used) (Chrysler No. 1324 268)
9	E 49984	( - )	Retainer, valve spring, intake (6 used) (Chrysler No. 2402 045)
10	E 49985	( - )	Retainer, valve spring, exhaust (6 used) (Chrysler No. 1551 002)
11	E 49982	( - )	Spring, intake (6 used) (Chrysler No. 1739 534)
12	E 49983	( - )	Spring, exhaust (6 used) (Chrysler No. 2899 525)
13	E 49976	( - )	Valve, exhaust, standard (6 used) (Chrysler No. 2202 961)
	E 49977	( - )	Valve, exhaust, .005" oversize (6 used) (Chrysler No. 2202 962)
14	E 49972	( - )	Valve, intake, standard (6 used) (Chrysler No. 1947 623)
	E 49973	( - )	Valve, intake, .005" oversize (6 used) (Chrysler No. 2121 578)
15	E 49980	( - )	Shield, stem oil, intake (6 used) (Chrysler No. 2205 958)
	E 49981	( - )	Shield, stem oil, exhaust (6 used) (Chrysler No. 2205 959)
16	E 49988	( - )	Tappet, valve, standard (12 used) (Chrysler No. 2469 501)
	E 49989	( - )	Tappet, valve, .001" oversize (12 used) (Chrysler No. 2469 502)
17	E 49987	( - )	Spacer, valve spring (use as required) (Chrysler No. 1859 144)
18	19H 1765	( - )	Screw, cap, 3/8" x 1-3/4" (6 used) (Chrysler No. 179845)
	19H 1945	( - )	Screw, cap, 3/8" x 2-3/4" (Chrysler No. 179850)

**CAMSHAFT AND BEARINGS**

Key	Part No.	Serial No.	Description
1	AE 29660	( - )	Camshaft (Chrysler No. 3512 639)
2	E 49963	( - )	Sprocket (Chrysler No. 2806 945)
3	AE 29661	( - )	Chain, timing (Chrysler No. 3514 866)
4	24H 1332	( - )	Washer, 15/32" x 1-1/2" x .149"
5	19H 2500	( - )	Screw, cap, 7/16" x 1-3/8"
6	E 49954	( - )	Bearing, camshaft, No. 1, standard (Chrysler No. 2121 725)
7	E 49956	( - )	Bearing, camshaft, No. 2, standard (Chrysler No. 1821 772)
8	E 49958	( - )	Bearing, camshaft, No. 3, standard (Chrysler No. 2121 726)
9	E 49960	( - )	Bearing, camshaft, No. 4, standard (Chrysler No. 2121 727)

**CRANKSHAFT, BEARINGS, AND CAPS**

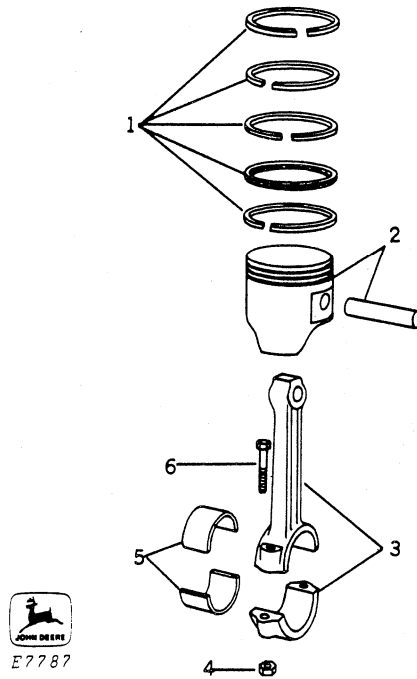


Key	Part No.	Serial No.	Description
1	E 49945	( - )	Bushing (Chrysler No. 53 298)
2	AE 29658	( - )	Seal package (Chrysler No. 3549 393)
3	AE 29628	( - )	Crankshaft (Chrysler No. 2899 582)
4	26H 39	( - )	Key, 3/16" x 2-1/8"
5	E 49968	( - )	Seal, chain case cover (Chrysler No. 2899 531)
6	E 49946	( - )	Slinger, crankshaft oil (Chrysler No. 2899 530)
7	E 49948	( - )	Sprocket, crankshaft (Chrysler No. 2128 912)
8	E 49950	( - )	Cap, bearing, No. 1 and 2 (2 used) (Chrysler No. 2084 403)
9	E 49949	( - )	Screw, bearing cap, 1/2" x 3-1/8" (8 used)
10	AE 29640 *	( - )	Bearing, No. 1, standard (Chrysler No. 2240 368)
	AE 29642 *	( - )	Bearing, No. 1, .002" undersize (Chrysler No. 2240 370)
	AE 29644 *	( - )	Bearing, No. 1, .010" undersize (Chrysler No. 2240 371)
11	AE 29646 *	( - )	Bearing, No. 2 and 4, standard (2 used) (Chrysler No. 2240 376)
	AE 29648 *	( - )	Bearing, No. 2 and 4, .002" undersize (3 used) (Chrysler No. 2240 378)
	AE 29650 *	( - )	Bearing, No. 2 and 4, .010" undersize (2 used) (Chrysler No. 2240 379)
12	E 49951	( - )	Cap, bearing, No. 3 (Chrysler No. 2084 404)
13	AE 29652 *	( - )	Bearing, No. 3, standard (Chrysler No. 2240 372)
	AE 29654 *	( - )	Bearing, No. 3, .002" undersize (Chrysler No. 2240 374)
	AE 29656 *	( - )	Bearing, No. 3, .010" undersize (Chrysler No. 2240 375)
14	E 49952	( - )	Cap, bearing, No. 4 (Chrysler No. 2084 405)
15	AE 29659	( - )	Retainer, bearing seal (Chrysler No. 1947 557)

\* Package of 2 halves.



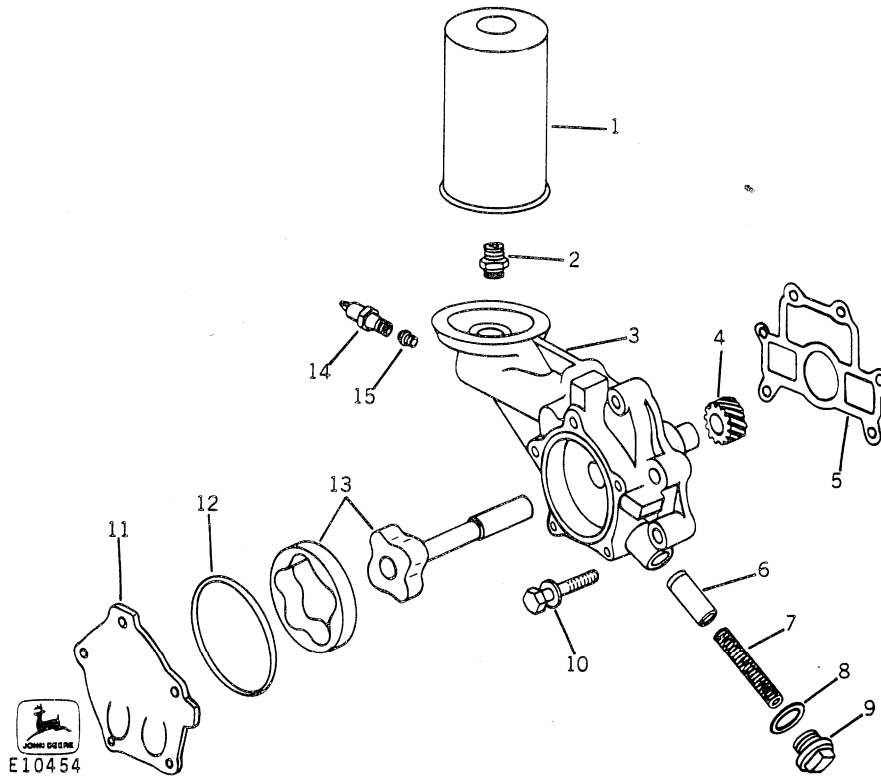
## PISTONS AND CONNECTING RODS



Key	Part No.	Serial No.	Description
1	AE 29673	( - )	Ring set, standard to .009" oversize (Chrysler No. 2448 735)
	AE 29674	( - )	Ring set, .020" to .029" oversize (Chrysler No. 2275 440)
2	AE 29668	( - )	Piston with pin, standard (6 used) (Chrysler No. 2084 384)
	AE 29669	( - )	Piston with pin, .005" oversize (6 used) (Chrysler No. 2084 385)
3	E 49969	( - )	Rod, connecting, with cap (6 used) (Chrysler No. 2406 657)
4	E 49971	( - )	Nut (12 used) (Chrysler No. 1737 695)
5	AE 29662 *	( - )	Bearing, standard (6 used) (Chrysler No. 2421 356)
	AE 29664 *	( - )	Bearing, .002" undersize (6 used) (Chrysler No. 2421 358)
	AE 29666 *	( - )	Bearing, .010" undersize (6 used) (Chrysler No. 2421 360)
6	E 49970	( - )	Bolt (12 used) (Chrysler No. 1944 865)

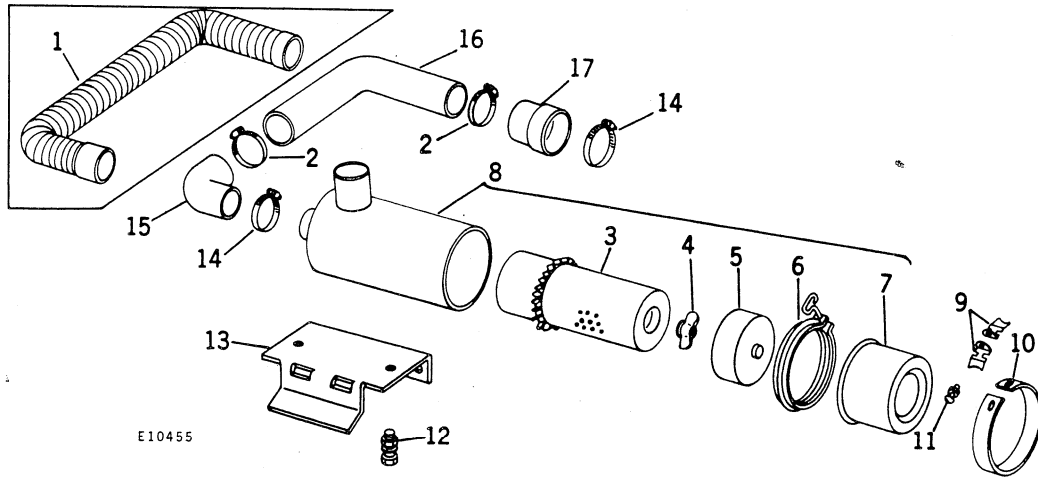
\* Package of 2 halves.

OIL PUMP



Key	Part No.	Serial No.	Description
1	AE 28914	( - )	Filter
2	AE 29408	( - )	Valve, stand pipe (Chrysler No. 3577 848)
3	AE 29685	( - )	Pump, oil, complete (Chrysler No. 2808 507)
4	E 50018	( - )	Gear, drive shaft (Chrysler No. 1947 225)
5	E 50017	( - )	Gasket (Chrysler No. 2121 404)
6	E 50019	( - )	Plunger, release valve (Chrysler No. 2406 580) (sub. AE29685)
7	E 50020	( - )	Spring, release valve (Chrysler No. 1737 742) (sub. AE29685)
8	E 50022	( - )	Gasket, release valve (Chrysler No. 618 622) (sub. AE29685)
9	E 50021	( - )	Cap, release valve (Chrysler No. 618 621) (sub. AE29685)
10	19H 2569	( - )	Screw, cap, 5/16" x 1-5/8" (6 used)
	12H 303	( - )	Washer, lock, 5/16"
11	.....	( - )	Cover, pump (sub. AE29685)
12	E 50016	( - )	Gasket, cover (Chrysler No. 2268 921)
13	AE 29684	( - )	Shaft, drive (Chrysler No. 2084 415) (sub. AE29685)
14	AR 27977	( - )	Sending unit, oil pressure
15	15H 511	( - )	Bushing, pipe, 3/8" x 1/8"

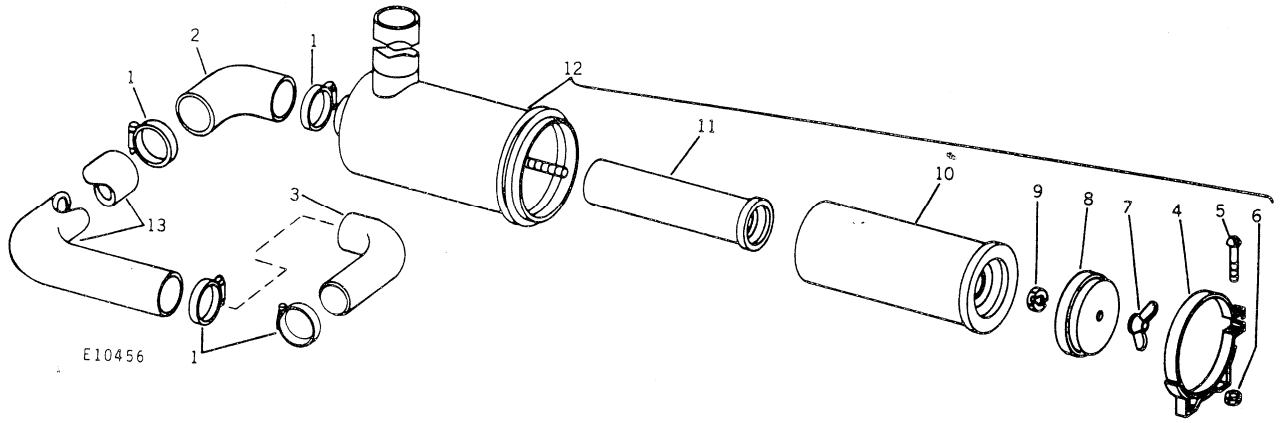
**AIR CLEANER**  
**(800 and 830 Windrowers)**



E10455

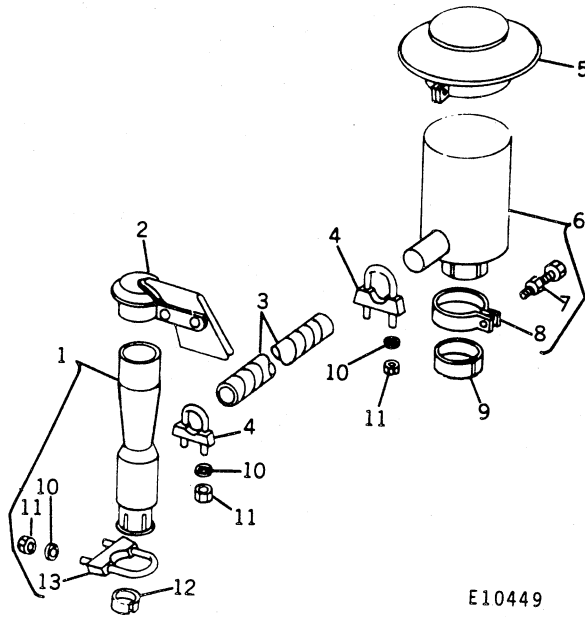
Key	Part No.	Serial No.	Description
1	E 48562	( - 82267 )	Hose (800) (sub. E38288, E51027, H76465, and two AR21840)
	AR 21840	( 82268 - )	Clamp, hose (2 used) (800)
2	AR 21840	( - )	Clamp, hose (2 used) (830)
3	AT 20728	( - )	Element, cleaner
4	AH 20849	( - )	Nut (with gasket)
5	AH 20857	( - )	Baffle
6	AH 20854	( - )	Clamp assembly
7	AE 27169	( - )	Cup assembly
8	AE 27170	( - )	Cleaner, air
9	P 50487	( - )	Clip (4 used)
10	P 50489	( - )	Clamp, collar (2 used)
11	19H 1996	( - )	Screw, cap, 1/4" x 2" (2 used)
	12H 302	( - )	Washer, lock, 1/4"
	14H 786	( - )	Nut, 1/4"
12	19H 1815	( - )	Screw, cap, 1/2" x 1-1/4" (2 used)
	12H 301	( - )	Washer, lock, 1/2"
	14H 809	( - )	Nut, 1/2"
13	E 48253	( - )	Mounting
14	AR 21999	( - )	Clamp, hose
15	E 38288	( 82268 - )	Hose, outlet, air cleaner (800)
	E 38288	( - )	Hose, outlet, air cleaner (830)
16	E 51027	( 82268 - )	Tube, air cleaner (800)
	E 51027	( - )	Tube, air cleaner (830)
17	H 76465	( 82268 - )	Hose, intake, carburetor (800)
	H 76465	( - )	Hose, intake, carburetor (830)

**AIR CLEANER  
(2250 Windrower)**



Key	Part No.	Serial No.	Description
1	AR 21999	( - )	Clamp (4 used)
2	E 38288	( - )	Hose, outlet
3	H 76465	( - )	Elbow
4	AN 33226	( - )	Clamp (2 used)
5	19H 1936	( - )	Screw, cap, 3/8" x 3/4" (4 used)
6	N 10215	( - )	Nut, lock, 3/8"
7	AH 20849	( - )	Nut, winged
8	AH 20857	( - )	Baffle
9	R 48567	( - )	Nut
10	AE 31723	( - )	Element
11	AE 31724	( - )	Element
12	AE 30317	( - )	Cleaner, complete
13	E 50905	( - )	Tube

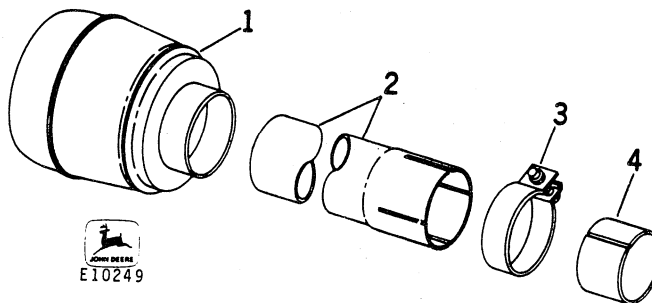
**ASPIRATOR PRECLEANER**



E10449

Key	Part No.	Serial No.	Description
1	AE 32245	( - )	Aspirator
2	AE 32031	( - )	Cap, weather
3	E 54184	( - )	Tube
4	AE 32036	( - )	Clamp, 1-5/8" (2 used)
5	AE 32244	( - )	Cover
6	AE 32246	( - )	Precleaner
7	19H 2180	( - )	Screw, cap, 1/4" x 1-1/4"
	14H 786	( - )	Nut, 1/4"
8	AE 32033	( - )	Clamp
9	H 35475	( - )	Spacer (800 and 830 Windrowers)
10	12H 303	( - )	Washer, lock, 5/16" (6 used)
11	14H 785	( - )	Nut, 5/16" (6 used)
12	E 54183	( - )	Spacer (2250 Windrower)
13	AE 32035	( - )	Clamp, 2-1/8"

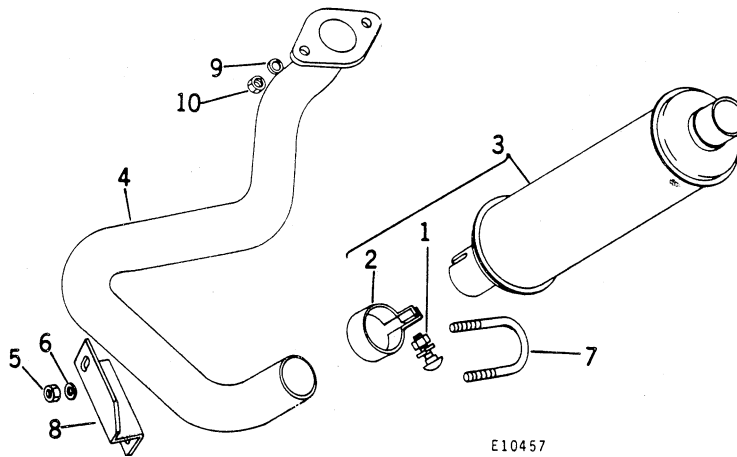
**AIR PRECLEANER**



E10249

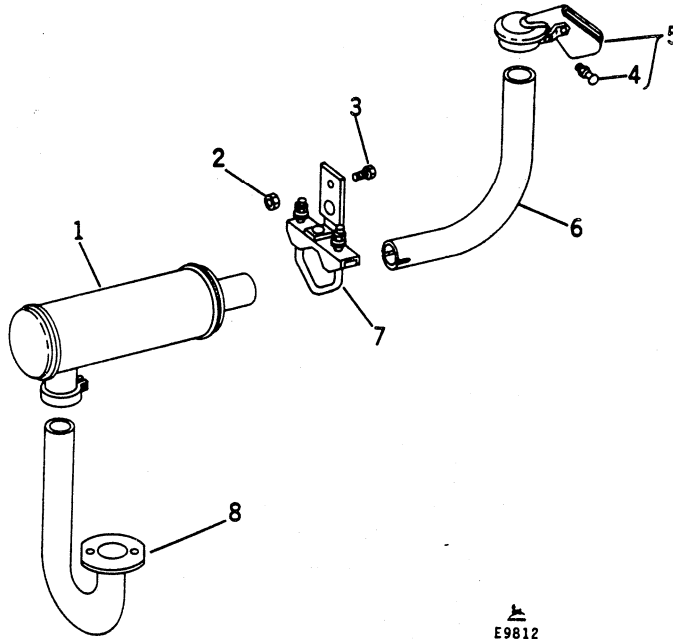
Key	Part No.	Serial No.	Description
1	AF 3580 R	( - )	Precleaner, air
2	R 39584	( - )	Extension (800 and 830 Windrowers)
3	AR 26930	( - )	Clamp, with screw (800 and 830 Windrowers)
4	H 35475	( - )	Spacer (800 and 830 Windrowers)

**MUFFLER AND EXHAUST PIPE  
(800 and 830 Windrowers)**



Key	Part No.	Serial No.	Description
1	3H 1480	( - )	Bolt, cge., 3/8" x 1-1/4"
	12H 304	( - )	Washer, lock, 3/8"
	14H 812	( - )	Nut, 3/8"
2	AT 15158	( - )	Clamp
3	AE 28862	( - )	Muffler
4	AE 28709	( - )	Pipe, exhaust
5	14H 786	( - )	Nut, 1/4" (2 used)
6	12H 302	( - )	Washer, lock, 1/4" (2 used)
7	E 16050	( - )	U-bolt
8	E 48209	( - )	Bracket, exhaust pipe
9	12H 293	( - )	Washer, lock, 7/16" (2 used)
10	14H 813	( - )	Nut, 7/16" (2 used)

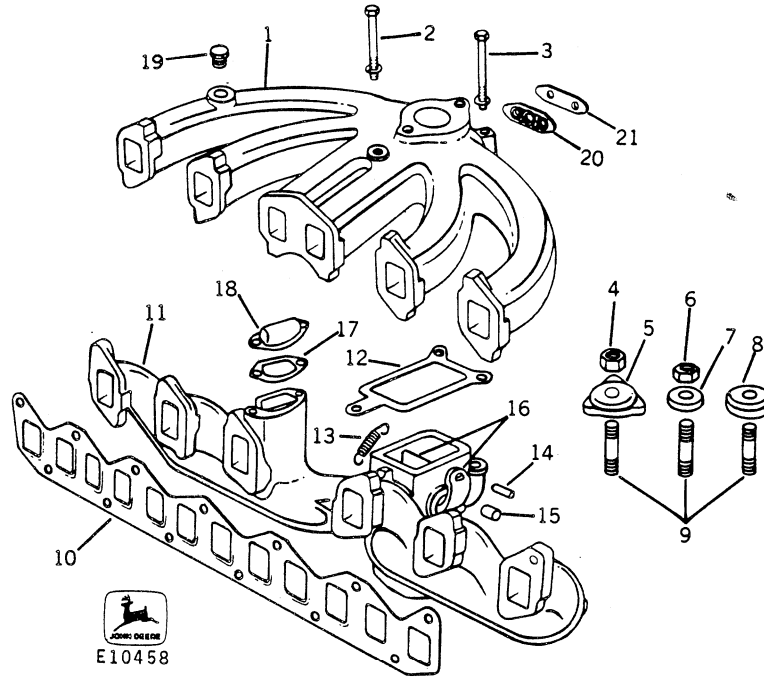
**MUFFLER AND EXHAUST PIPE  
(2250 Windrower)**



E9812

Key	Part No.	Serial No.	Description
1	AT 10899	( - )	Muffler
2	E 50101	( - )	Nut, 5/16" (2 used)
3	19H 1900	( - )	Screw, cap, 5/16" x 3/4"
4	3H 1515	( - )	Bolt, cge., 5/16" x 2"
	14H 785	( - )	Nut, 5/16"
5	AE 31300	( - )	Cap, weather
6	E 50957	( - )	Pipe, outlet
7	AE 30958	( - )	Hanger
8	AE 30226	( - )	Pipe, exhaust

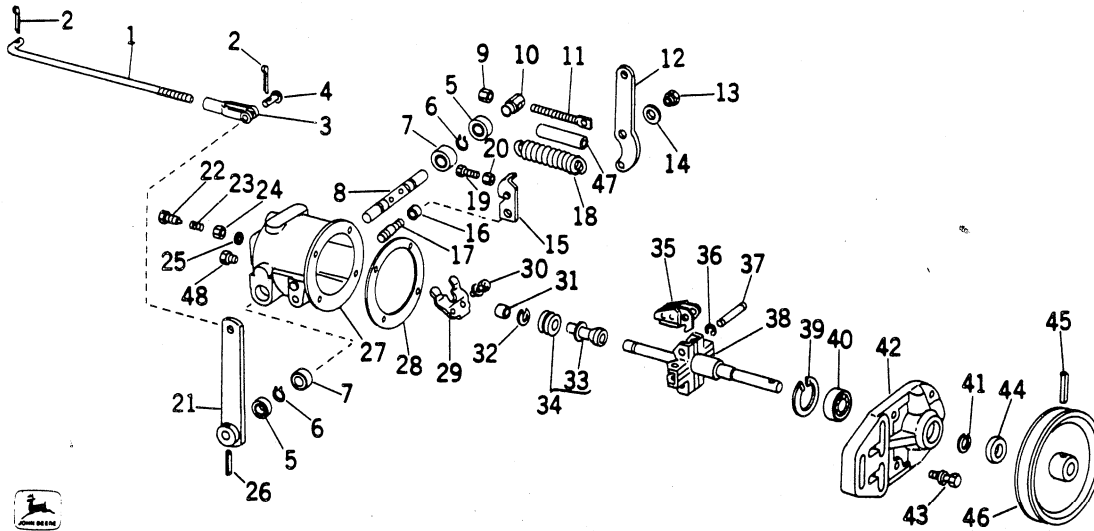
**MANIFOLDS**



Key	Part No.	Serial No.	Description
1	AE 29680	( - )	Manifold, intake (Chrysler No. 2899 960)
2	19H 1921	( - )	Screw, cap, 5/16" x 3-1/4"
	12H 303	( - )	Washer, lock, 5/16"
3	19H 2044	( - )	Screw, cap, 5/16" x 4" (2 used)
	12H 303	( - )	Washer, lock, 5/16"
4	14H 650	( - )	Nut, 5/16" (11 used)
5	E 50003	( - )	Washer (8 used) (Chrysler No. 2206 416)
6	E 50004	( - )	Nut (2 used) (Chrysler No. 1947 753)
7	E 50002	( - )	Washer (2 used) (Chrysler No. 1947 752)
8	E 50001	( - )	Washer (3 used) (Chrysler No. 2121 223)
9	E 50000	( - )	Stud (13 used) (Chrysler No. 2121 585)
10	E 50005	( - )	Gasket (Chrysler No. 1947 762)
11	AE 29679	( - )	Manifold, exhaust (Chrysler No. 3744 830)
12	E 50010	( - )	Gasket (Chrysler No. 2843 279)
13	E 50011	( - )	Spring (Chrysler No. 3462 514)
14	E 50012	( - )	Pin (Chrysler No. 1639 597)
15	E 50013	( - )	Stop, valve (Chrysler No. 2946 107)
16	AE 29681	( - )	Heat control package (Chrysler No. 3420 047)
17	E 50025	( - )	Gasket, choke well (Chrysler No. 2946 530)
18	E 50026	( - )	Cap, choke well (Chrysler No. 2946 529)
19	15H 266	( - )	Plug, pipe, sq. hd., 3/8"
20	E 54686	( - )	Gasket, valve flange (Chrysler No. 3671 425)
21	E 54687	( - )	Cover, valve flange (Chrysler No. 3671 447)

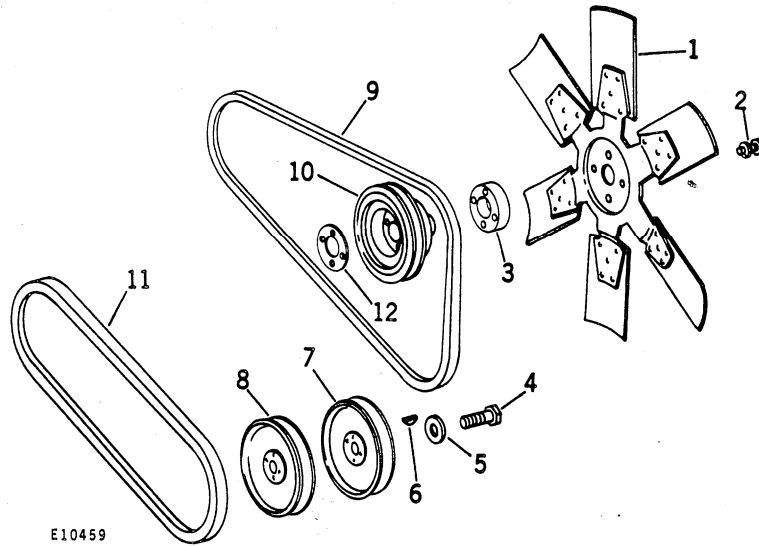


## GOVERNOR



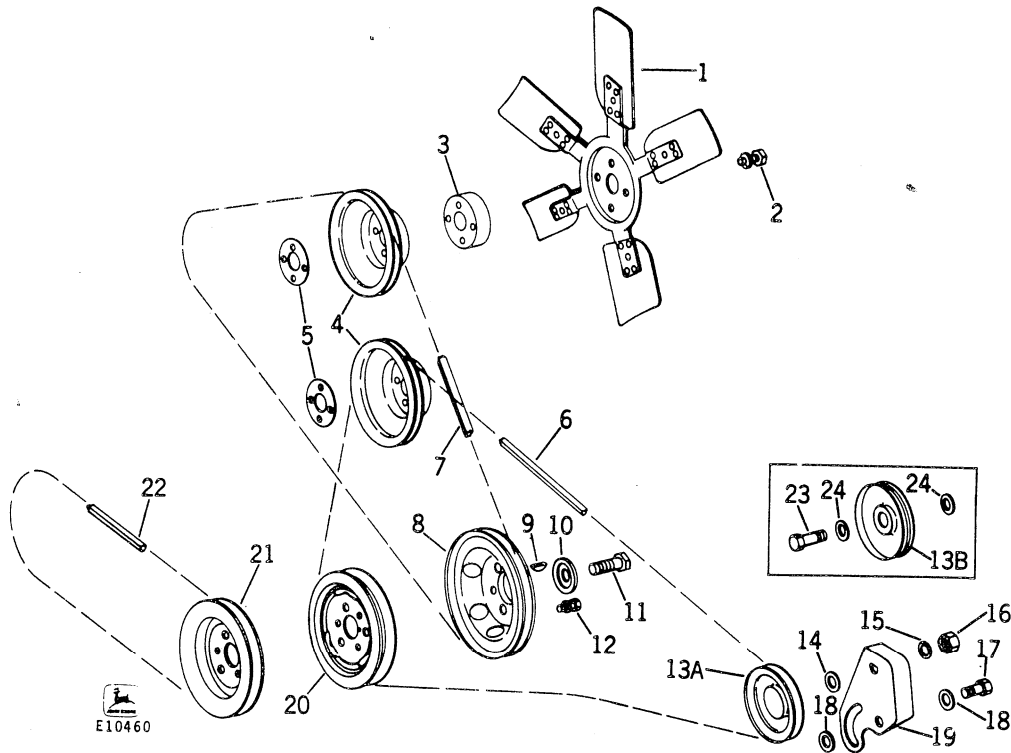
Key	Part No.	Serial No.	Description
1	E 48533	( - )	Rod, carburetor
2	11H 231	( - )	Pin, cotter, 1/16" x 1" (2 used)
3	P 42921	( - )	Yoke, rod end
4	P 47303	( - )	Pin, rod end
5	T 19564	( - )	Seal, oil (2 used)
6	T 11104	( - )	Ring, snap (2 used)
7	AP 22469	( - )	Bearing (2 used)
8	E 49733	( - )	Shaft, rocker (Pierce No. G-14363)
9	14H 882	( - )	Nut, 5/16" (2 used)
10	E 49726	( - )	Hub, throttle lever (Pierce No. G-9330-2)
11	P 46294	( - )	Screw, adjusting
12	E 49734	( - )	Lever, speed change (Pierce No. G-21207)
13	E 49737	( - )	Nut, stop (Pierce No. X-1845)
14	24H 1322	( - )	Washer, 29/64" x 13/16" x .060"
15	E 49727	( - )	Bracket, stop (Pierce No. G-9556-5)
16	E 49731	( - )	Washer, spacing (Pierce No. G-11886-1)
17	E 49728	( - )	Stud (Pierce No. G-9799-1)
18	E 49736	( - )	Spring, governor (Pierce No. SN-1351)
19	E 53914	( - )	Screw, No. 12 (Pierce No. X-557) (sub. for E49782)
20	14H 608	( - )	Nut, No. 12
21	AE 29507	( - )	Lever, throttle (Pierce No. A-6346)
22	E 49730	( - )	Screw, bumper (Pierce No. G-11805-1)
23	E 49735	( - )	Spring, bumper (Pierce No. SN-1481)
24	14H 860	( - )	Nut, 1/4"
25	E 49739	( - )	Washer, sealing (Pierce No. 60381)
26	34H 262	( - )	Pin, spring, 5/32" x 3/4" (2 used)
27	E 49725	( - )	Body, governor (Pierce No. G-9042-200)
28	P 46283	( - )	Gasket
29	T 11095	( - )	Yoke
30	P 46285	( - )	Screw with washer
31	T 11107	( - )	Bushing
32	E 49738	( - )	Ring, retaining (Pierce No. X-4223)
33	H 80653	( - )	Sleeve, thrust
34	AT 15601	( - )	Bearing, thrust, with sleeve
35	AT 10911	( - )	Weight (2 used)
36	P 47893	( - )	Ring, retaining (2 used)
37	P 47892	( - )	Pin, weight (2 used)
38	AE 29508	( - )	Shaft, spider (Pierce No. A-6797)
39	H 80660	( - )	Ring, retaining
40	JD 7180	( - )	Bearing
41	H 80659	( - )	Ring, retaining
42	E 49729	( - )	Base, governor (Pierce No. G-11382-1)
43	AH 78902	( - )	Screw with washer (4 used)
44	AE 29510	( - )	Seal, oil (Pierce No. X-1220)
45	34H 283	( - )	Pin, spring, 3/16" x 1-1/8"
46	AE 29509	( - )	Pulley (Pierce No. G-10946)
47	E 49732	( - )	Plug, forced idle (Pierce No. G-13263)
48	15H 638	( - )	Plug, pipe, 1/8" (2 used)
..	AE 28916	( - )	Governor, complete (Pierce No. GC-9944)

**FAN DRIVE AND BELTS  
(800 and 830 Windrowers)**



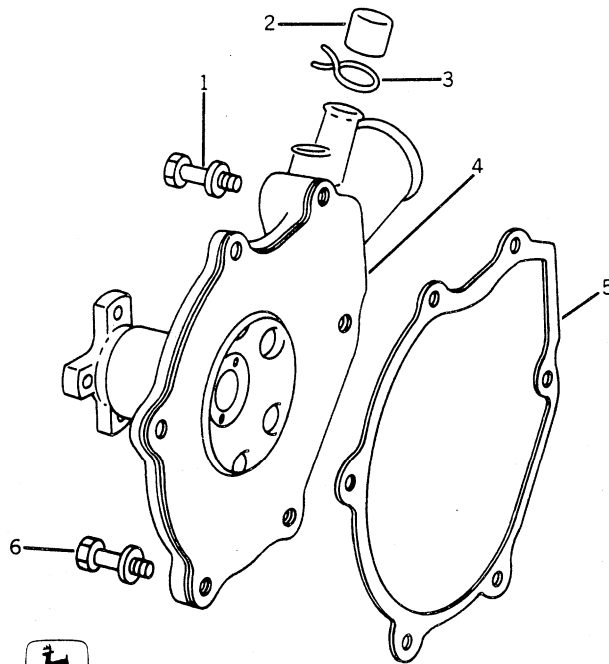
Key	Part No.	Year	Description
1	AE 29723	( - 1971 )	Fan (Chrysler No. 1091 120) (800) (sub. AE30141, E52297, E52041, E50973, and four 19H1913)
2	AE 30141	( 1972 -	Fan
	19H 1901	( - 1971 )	Screw, cap, 5/16" x 2" (800) (4 used)
	19H 1913	( 1972 -	Screw, cap, 5/16" x 2-1/4" (4 used)
	12H 303	( -	Washer, lock, 5/16"
3	E 52297	( -	Spacer (sub. for E50050)
4	E 49944	( -	Screw, crankshaft
5	E 49947	( -	Washer, crankshaft screw
6	26H 39	( -	Key, 3/16" x 2-1/8"
7	E 49953	( -	Pulley, fan drive (Chrysler No. 2806 211)
8	E 49923	( -	Pulley, governor drive (Chrysler No. 2202 794)
9	E 48297	( - 1971 )	Belt, fan (800)
	E 50973	( 1972 -	Belt, fan
10	E 49301	( -	Pulley, fan
11	E 48298	( -	Belt, governor
12	E 52756	( 1972 -	Shim, .048" (use as required)

**FAN DRIVE AND BELTS  
(2250 Windrower)**



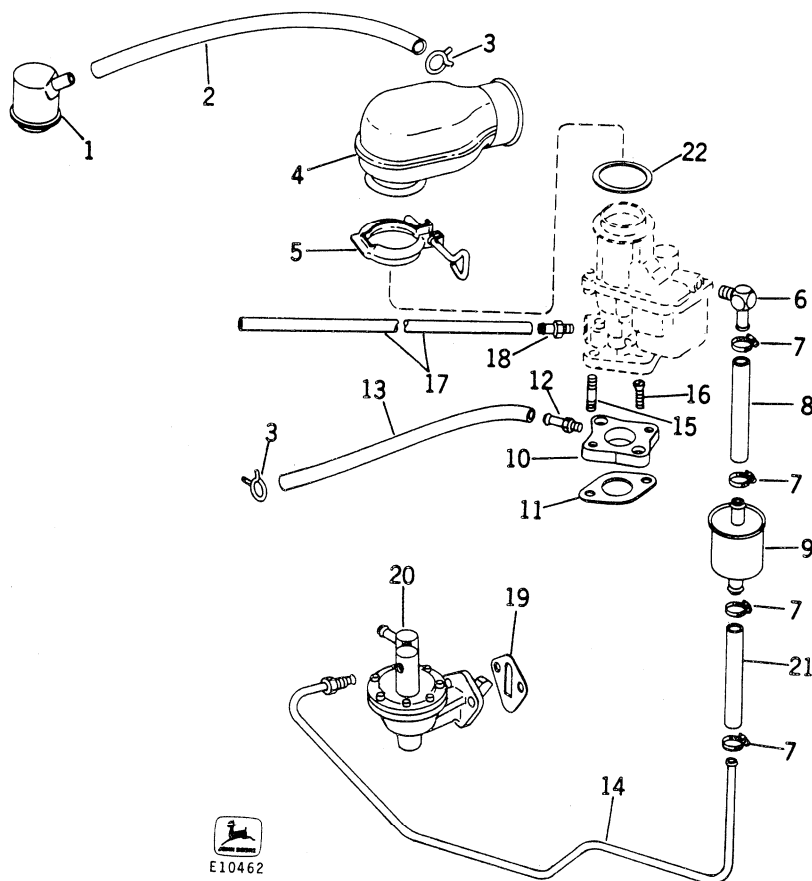
Key	Part No.	Serial No.	Description
1	AE 30141	( - )	Fan
2	19H 1913	( - )	Screw, cap, 5/16" x 2-1/4" (4 used)
	12H 303	( - )	Washer, lock, 5/16"
3	E 52297	( - )	Spacer
4	E 49301	( - )	Pulley (2 used)
5	E 52756	( - )	Shim, .048" (use as required)
6	E 52878	( - )	Belt, drive, water pump
	E 53936	( - )	Belt, drive, water pump (with air conditioner)
7	H 63772	( - )	Belt, drive, fan and alternator
8	E 53104	( - )	Pulley, drive, fan and alternator
9	26H 39	( - )	Key, 3/16" x 2-1/8"
10	E 49947	( - )	Washer
11	E 49944	( - )	Screw, crankshaft
12	19H 1900	( - )	Screw, cap, 5/16" x 3/4" (3 used)
	12H 303	( - )	Washer, lock, 5/16"
13A	AE 31740	( - )	Idler (Chrysler No. 2129 166)
13B	AM 30194	( - )	Idler (with air conditioner)
14	E 53594	( - )	Washer (Chrysler No. 6024 641)
15	24H 1325	( - )	Washer, 15/32" x 59/64" x .060" (Chrysler No. 131 718)
16	14H 813	( - )	Nut, 7/16" (Chrysler No. 282 917)
17	19H 1731	( - )	Screw, cap, 3/8" x 1" (2 used)
18	24H 1308	( - )	Washer, 13/32" x 1" x .134" (5 used)
19	E 53531	( - )	Bracket, idler (Chrysler No. 12582) (with air conditioner)
20	E 49953	( - )	Pulley, drive, water pump (Chrysler No. 2806 211)
21	E 49923	( - )	Pulley, drive, governor (Chrysler No. 2202 794)
22	E 48298	( - )	Belt, drive, governor
23	19H 1777	( - )	Screw, cap, 1/2" x 1-3/4"
24	24H 1625	( - )	Washer, 17/32" x 1" x .120" (use as required)

**WATER PUMP**



Key	Part No.	Serial No.	Description
1	19H 1765	( - )	Screw, cap, 3/8" x 1-3/4" (2 used)
	12H 304	( - )	Washer, lock, 3/8" (6 used)
2	E 55202	( - )	Cap, outlet, heater hose (Chrysler No. 2128 425)
	M 19356	( - )	Clamp, cap
4	AE 29621	( - )	Pump, water, complete (Chrysler No. 2808 679) (sub. for AE29629)
	E 49934	( - )	Gasket, intermediate plate (Chrysler No. 1947 523)
6	19H 1732	( - )	Screw, cap, 3/8" x 1-1/4" (4 used)
	12H 304	( - )	Washer, lock, 3/8"

**GASOLINE FUEL SYSTEM**

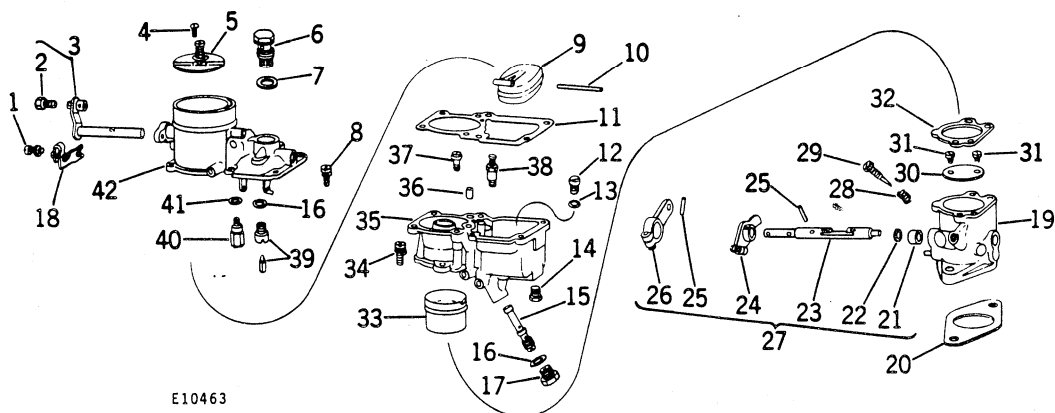


Key	Part No.	Year	Description
1	AE 29720	( - )	Cap, vent and cleaner (Chrysler No. 3462 094)
2	...	( - )	Hose, vent cap to elbow (13", 800 and 830; 24", 2250) (cut to length from R45847)
3	E 50049	( - )	Clamp, hose (2 used) (Chrysler No. 870 469)
4	AE 29721	( - )	Elbow, carburetor (Chrysler No. 2600 075)
5	AE 29722	( - )	Clamp assembly (Chrysler No. 2847 614)
6	E 48497	( - )	Insert, hose, 90°
7	AR 48236	( - )	Clamp, hose (4 used) (sub. for R34766)
8	E 48681	( -1971 )	Hose, filter, upper (sub. E52754 and E52755)
9	E 52754	(1972 - )	Hose, filter, upper
9	AE 29052	( - )	Filter, gas
10	E 50032	( - )	Adaptor, flange (Chrysler No. 2600 156)
11	E 50033	( - )	Gasket (Chrysler No. 2946 182)
12	E 50034	( - )	Connector, vent hose (Chrysler No. E7368M)
13	E 50035	( - )	Hose, vent case to carburetor (Chrysler No. 883 031)
14	AE 29053	( - )	Tube, fuel pump to carburetor
15	M 3636 T	( - )	Stud (2 used)
16	21H 1034	( - )	Screw, mach., 3/8" x 1-1/4" (2 used)
17	...	( - )	Hose, vacuum, 37" long (cut to length from AT32064)
18	E 48764	( - )	Connector, vacuum tube
19	E 48752	( - )	Gasket, fuel pump
20	AE 28907	( - )	Pump, fuel
21	E 48681	( -1971 )	Hose, filter, lower (sub. E52755 and E52754)
21	E 52755	(1972 - )	Hose, filter, lower
22	E 51375	( - )	Gasket, air cleaner to carburetor (Chrysler No. 952 062)

Parts listed below are not illustrated

..	R 45847	( - )	Hose, SAE 20, R3-SC, 5/8" I.D. x 50 ft.
..	AT 32064	( - )	Hose, 5/16" I.D. x 50 ft.

**CARBURETOR**



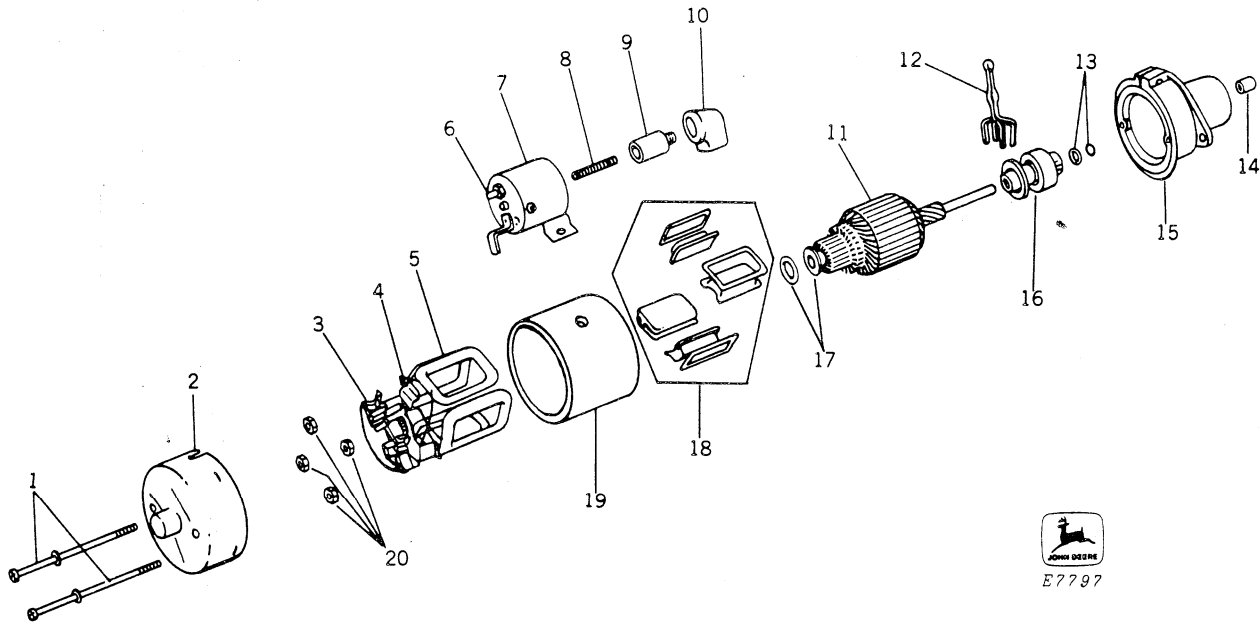
E10463

Key	Part No.	Serial No.	Description
1	AH 80017	( - )	Screw, with washer (Zenith No. T301 S8-6)
2	H 21047	( - )	Screw, No. 8 (Zenith No. T8 S8-7)
3	AH 80015	( - )	Shaft, choke, with screw (Zenith No. C108-1)
4	H 81538 †	( - )	Screw, No. 6 (Zenith No. T11 S6-5)
5	AH 80018	( - )	Plate, choke (Zenith No. C101-1)
6	AE 29611	( - )	Filter assembly (Zenith No. C150-26)
7	H 81539 †*	( - )	Washer (Zenith No. T56-3)
8	AH 80022	( - )	Screw, with washer, No. 10 (6 used) (Zenith No. T301 S10-9)
9	AH 80021	( - )	Float (Zenith No. C85-1)
10	H 20999 †	( - )	Pin (Zenith No. C120-4)
11	H 81540 †*	( - )	Gasket (Zenith No. C143-16)
12	E 49911	( - )	Jet, main (Zenith No. C52-7-24) (800 and 830 Windrowers)
	E 53453	( - )	Jet, main (Zenith No. C52-7-28) (2250 Windrower)
13	H 20926 †*	( - )	Washer (Zenith No. T56-24)
14	R 47038	( - )	Plug, pipe, 1/8" (Zenith No. T91-3)
15	E 49901	( - )	Jet, discharge (Zenith No. C66-34-3-50)
16	H 20925 †*	( - )	Washer (2 used) (Zenith No. T56-23)
17	H 21008	( - )	Plug, lower (Zenith No. C138-24)
18	AH 80016	( - )	Bracket, cable (Zenith No. C109-1)
19	...	( - )	Body, throttle (sub. AE28909, 800 and 830; or AE31117, 2250)
20	E 48753	( - )	Gasket
21	E 49906 †	( - )	Seal (Zenith No. T48-7)
22	E 49905 †	( - )	Washer (Zenith No. T52-13)
23	...	( - )	Shaft, throttle (sub. AE29612)
24	...	( - )	Lever, stop (sub. AE29612)
25	34H 229	( - )	Pin, spring, 3/32" x 5/8" (2 used) (Zenith No. T63-4)
26	...	( - )	Lever, clamp (sub. AE29612)
27	AE 29612	( - )	Shaft, throttle, complete (Zenith No. C29-1819)
28	H 20993	( - )	Spring, idle adjustment (Zenith No. C111-9)
29	E 49907 †	( - )	Screw, idle adjustment (Zenith No. C46-66)
30	E 49904	( - )	Plate, throttle (Zenith No. C21-50)
31	E 49903 †	( - )	Screw, No. 5 (2 used) (Zenith No. T15 S5-4)
32	E 49908 †*	( - )	Gasket (Zenith No. C142-5)
33	E 49902	( - )	Venturi (Zenith No. B38-90-22) (800 and 830 Windrowers)
	E 53452	( - )	Venturi (Zenith No. B38-90-26) (2250 Windrower)
34	AH 80024	( - )	Screw, with washer (2 used) (Zenith No. T311 S25-12)
35	...	( - )	Bowl, fuel (sub. AE28909, 800 and 830; or AE31117, 2250)
36	E 49900	( - )	Vent, well (Zenith No. C77-14-21)
37	H 81553	( - )	Jet, idle (Zenith No. C56-3-14)
38	E 49910	( - )	Plug (Zenith No. C138-3)
39	AE 29613 †	( - )	Valve, fuel (Zenith No. C81-68-45)
40	E 49909	( - )	Screw, channel (Zenith No. C138-5)
41	H 20930 †*	( - )	Washer (Zenith No. T56-52)
42	...	( - )	Intake, air (sub. AE28909, 800 and 830; or AE31117, 2250)
..	AE 28909	( - )	Carburetor complete (Zenith No. 0-13577) (800 and 830 Windrowers)
..	AE 31117	( - )	Carburetor complete (Zenith No. OE3210) (2250 Windrower)

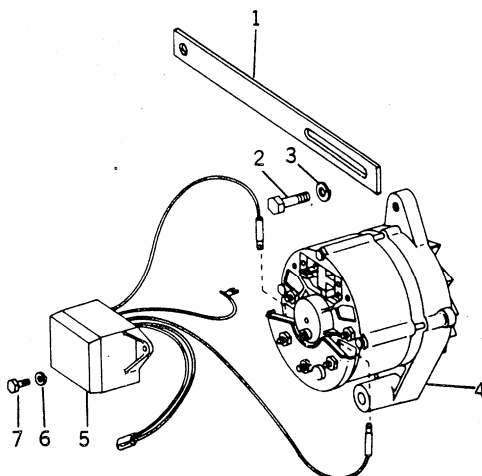
\* Kit listed below contains all parts followed by an asterisk (\* )  
 .. AE 29614 ( - ) Gasket set (Zenith No. C181-71)

†Kit listed below contains all parts followed by a dagger (†)  
 .. AE 29615 ( - ) Repair kit (Zenith No. K-2182)

**STARTER ASSEMBLY**



Key	Part No.	Serial No.	Description
1	E 50031	( - )	Bolt, frame (2 used) (Chrysler No. 1889 080)
2	AE 29707	( - )	Head, commutator (Chrysler No. 1889 363)
3	AE 29696	( - )	Brush set (Chrysler No. 2525 529)
4	AE 29698	( - )	Holder, brush (Chrysler No. 1889 044)
5	AE 29709	( - )	Coil package (Chrysler No. 2084 088)
6	AE 29713	( - )	Stud package (Chrysler No. 2084 094)
7	AE 29711	( - )	Cover, solenoid (Chrysler No. 2084 090)
8	AE 29710	( - )	Contact package (Chrysler No. 2084 091)
9	AE 29714	( - )	Core, solenoid (Chrysler No. 1889 151)
10	E 50030	( - )	Boot, shifting fork (Chrysler No. 1889 147)
11	AE 29695	( - )	Armature (Chrysler No. 1889 079)
12	AE 29693	( - )	Fork, shifting, with pin (Chrysler No. 2084 093)
13	AE 29694	( - )	Stop and lock ring package (Chrysler No. 2448 804)
14	E 50029	( - )	Bearing (Chrysler No. 2098 986)
15	AE 31197	( - )	Housing, pinion (Chrysler No. 2642 693) (sub. for E50028)
16	AE 29692	( - )	Clutch assembly (Chrysler No. 2642 506)
17	AE 29708	( - )	Washer package (Chrysler No. 2240 529)
18	...	( - )	Sub. AE28905
19	...	( - )	Sub. AE28905
20	AE 29697	( - )	Spring package (Chrysler No. 2084 666)
..	AE 29712	( - )	Solenoid complete (Chrysler No. 2642 964)
..	AE 28905	( - )	Starter, complete with solenoid (Chrysler No. 2642 692)

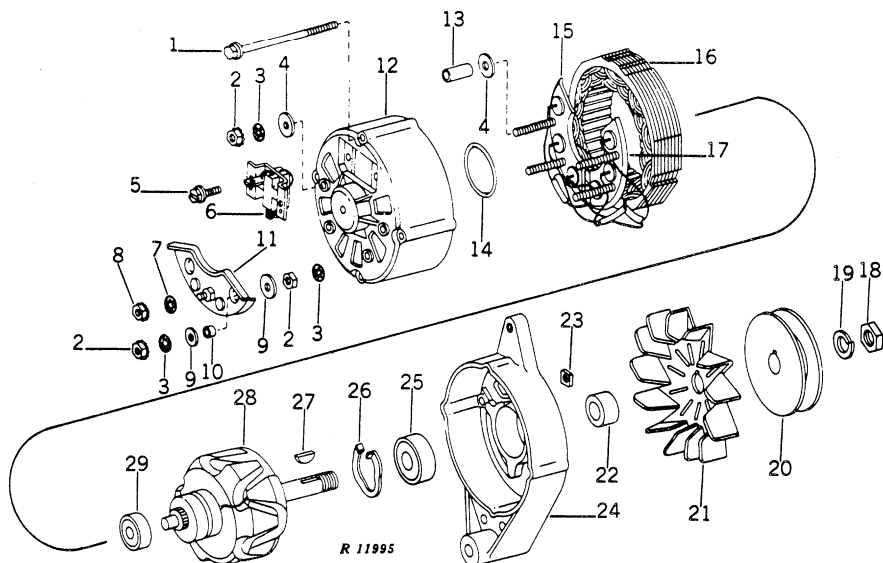
**ALTERNATOR, REGULATOR, AND MOUNTING PARTS**

E7798

Key	Part No.	Serial No.	Description
1	E 48175	( - )	Bracket, alternator adjusting (800 and 830 Windrowers)
	E 50904	( - )	Bracket, alternator adjusting (2250 Windrower)
2	19H 1900	( - )	Screw, cap, 5/16" x 3/4"
3	24H 1224	( - )	Washer, 11/32" x 1" x .060"
4	AR 38458	( - )	Alternator, less regulator and pulley (for parts, see page 24) (800 and 830 Windrowers)
	AR 42110	( - )	Alternator with pulley (for parts, see page 25) (2250 Windrower)
5	AR 38459	( - )	Regulator (800 and 830 Windrowers)
6	12H 295	( - )	Washer, lock, No. 10 (3 used) (800 and 830 Windrowers)
7	AR 44008	( - )	Screw, self-tapping (3 used) (800 and 830 Windrowers)

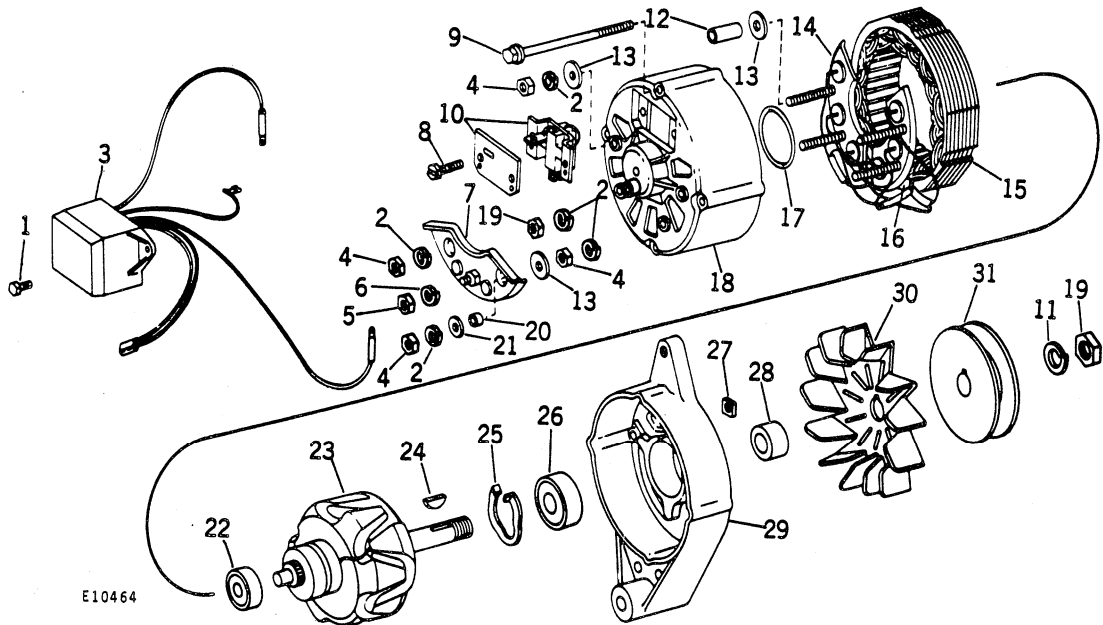


**ALTERNATOR**  
**(800 and 830 Windrowers)**



Key	Part No.	Serial No.	Description
1	T 23598	( - )	Bolt, thru (4 used)
2	14H 778	( - )	Nut, No. 10 (6 used)
3	12H 295	( - )	Washer, lock, internal tooth, No. 10 (6 used)
4	R 15036	( - )	Washer, insulator (4 used)
5	37H 47	( - )	Screw, self-tapping, No. 8 x 1/2" (2 used)
6	R 15026	( - )	Brush and cover assembly
7	12H 297	( - )	Washer, lock, internal tooth, 1/4"
8	14H 786	( - )	Nut, 1/4"
9	R 39804	( - )	Washer, insulator (2 used)
10	R 39803	( - )	Sleeve, insulator
11	AR 38461	( - )	Diode, isolation, single
12	R 38374	( - )	Housing, rear
13	R 15035	( - )	Sleeve, insulator (2 used)
14	R 15030	( - )	Retainer, rear bearing
15	R 15023	( - )	Diode, positive
16	AT 21161	( - )	Stator
17	R 15024	( - )	Diode, negative
18	14H 866	( - )	Nut, jam, UNF, 5/8"
19	12H 294	( - )	Washer, lock, 5/8"
20	R 15019	( - )	Pulley
21	R 15027	( - )	Fan
22	T 25343	( - )	Spacer, fan and pulley
23	T 23610	( - )	Nut, sq. (4 used)
24	R 15033	( - )	Housing, front
25	AT 23188	( - )	Bearing, front
26	R 15029	( - )	Retainer, front bearing
27	26H 9	( - )	Key, Woodruff, 1/8" x 5/8"
28	AT 21160	( - )	Rotor
29	AT 23189	( - )	Bearing, rear
..	AR 38458	( - )	Alternator, less pulley (12-volt) (Motorola Model No. RA12NJD453-5)

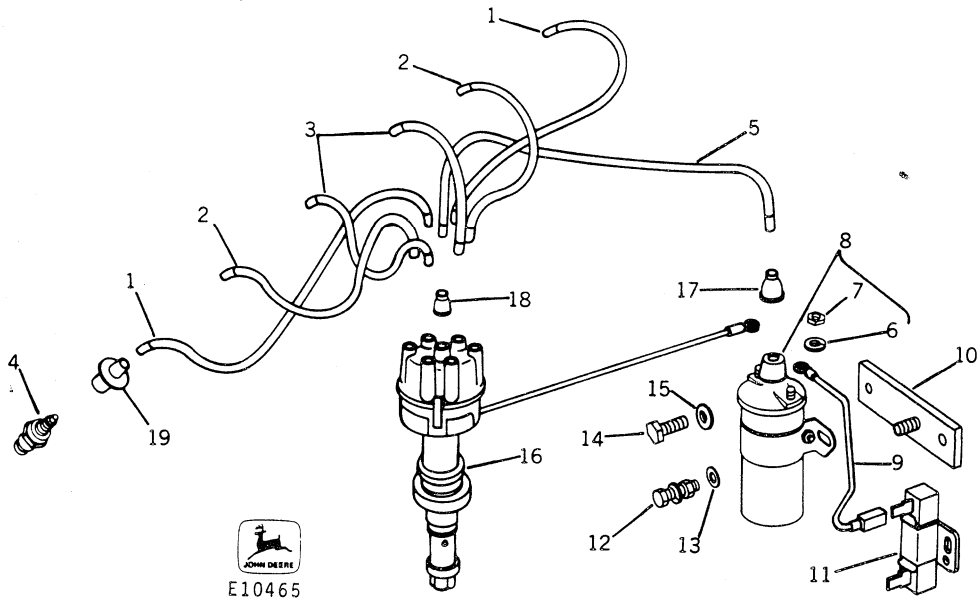
**ALTERNATOR AND REGULATOR  
(2250 Windrower)**



E10464

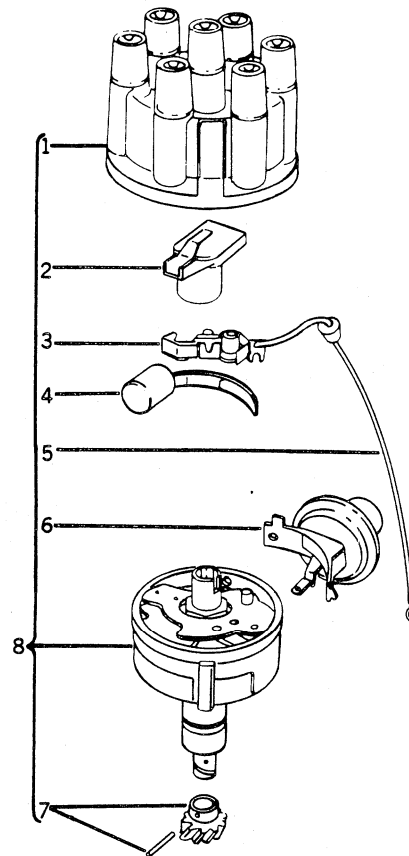
Key	Part No.	Serial No.	Description
1	R 44008	( - )	Screw, special (3 used)
2	12H 295	( - )	Washer, lock, no. 10 (6 used)
3	AR 38459	( - )	Regulator (Motorola No. R3JD1 and R3JD2)
4	14H 778	( - )	Nut, no. 10 (6 used)
5	14H 786	( - )	Nut, 1/4"
6	12H 297	( - )	Washer, lock, 1/4"
7	R 39800	( - )	Diode, insulator, dual
8	37H 10	( - )	Screw, drive (2 used) no. 8 x 3/8"
9	R 15045	( - )	Bolt, thru (4 used)
10	R 15026	( - )	Brush and cover
11	12H 294	( - )	Washer, lock, 5/8"
12	R 15035	( - )	Sleeve, insulator (2 used)
13	R 15036	( - )	Washer, insulator (5 used)
14	R 15023	( - )	Diode, rectifying, positive
15	R 39802	( - )	Stator
16	R 15024	( - )	Diode, rectifying, negative
17	R 15030	( - )	Retainer, rear bearing
18	R 38374	( - )	Housing, rear
19	14H 866	( - )	Nut, jam, UNF, 5/8"
20	R 39803	( - )	Sleeve, insulator
21	R 39804	( - )	Washer, insulator
22	AT 23189	( - )	Bearing, rear
23	R 39801	( - )	Rotor
24	26H 9	( - )	Key, Woodruff, 1/8" x 5/8"
25	R 15029	( - )	Retainer, front bearing
26	AT 23188	( - )	Bearing, ball, front
27	T 23610	( - )	Nut, square (4 used)
28	T 25343	( - )	Spacer, fan and pulley (sub. for R15038)
29	R 15033	( - )	Housing, front
30	R 15027	( - )	Fan
31	R 15019	( - )	Pulley
..	AR 40420	( - )	Alternator assembly less pulley (Motorola No. RA12N55)

**SPARK PLUGS, CABLES, COIL, AND RESISTOR**



Key	Part No.	Serial No.	Description
1	...	( - )	Wire, lead, 13", No. 1 and 6 (2 used) (Chrysler No. 2444 024) (make from R32006, two R32013, A3539R from AR30963 wire repair kit) (sub. for AE29623)
2	...	( - )	Wire, lead, 11" No. 2 and 5 (2 used) (Chrysler No. 2444 025) (make from R32006, two R32013, A3539R from AR30963 wire repair kit) (sub. for AE29624)
3	...	( - )	Wire, lead, 9", No. 3 and 4 (2 used) (Chrysler No. 2444 031) (make from R32006, two R32013, A3539R from AR30963 wire repair kit) (sub. for AE29625)
4	AE 29626	( - )	Plug, spark (6 used) (Chrysler No. 2098 381)
5	...	( - )	Wire, coil, 15" (Chrysler No. 2095 773) (make from R32006, two R32013, A3539R from AR30963 wire repair kit) (sub. for AE29716)
6	12H 246	( - )	Washer, lock, No. 10 (2 used)
7	14H 778	( - )	Nut, No. 10 (2 used)
8	AE 29715	( - )	Coil (Chrysler No. 1688 216)
9	AE 29719	( - )	Cable, coil to resistor (Chrysler No. 2098 142)
10	AE 29717	( - )	Bracket, mounting (Chrysler No. 2125 706)
11	AE 29718	( - )	Resistor assembly (Chrysler No. 2095 501)
12	19H 1905	( - )	Screw, cap, 5/16" x 1"
	12H 303	( - )	Washer, lock, 5/16"
	14H 773	( - )	Nut, 5/16"
13	24H 1243	( - )	Washer, 11/32" x 5/8" x .060"
14	19H 1731	( - )	Screw, cap, 3/8" x 1"
15	24H 1303	( - )	Washer, 13/32" x 13/16" x .060"
16	AE 29622	( -130828 )	Distributor, vacuum advance (Chrysler No. 2875 827)
	AE 33015	(130829 - )	Distributor, vacuum advance (Chrysler No. 3656 258)
	AE 33021	( - )	Distributor, centrifugal advance (Chrysler No. 2098 513)
17	A 4159 R	( - )	Nipple
18	A 3539 R	( - )	Nipple (7 used)
19	T 20115	( - )	Boot (6 used)

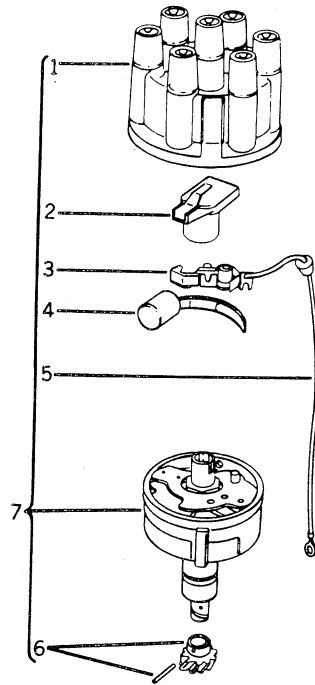
**DISTRIBUTOR  
(Vacuum Advance)**



E10525

Key	Part No.	Serial No.	Description
1	E 49940	( - )	Cap (Chrysler No. 2642 986)
2	AE 29636	( - )	Rotor (Chrysler No. 1838 516)
3	AE 29632	( - )	Contact, breaker (Chrysler No. 2098 244)
4	AE 29633	( -130828 )	Condenser (Chrysler No. 2098 058)
	AE 33018	(130829 - )	Condenser (Chrysler No. 3420 600)
5	AE 29634	( -130828 )	Cable, primary (Chrysler No. 2444 249)
	AE 33019	(130829 - )	Cable, primary (Chrysler No. 3656 236)
6	AE 29637	( - )	Control, vacuum (Chrysler No. 2875 825)
7	AE 29638	( - )	Gear and pin package (Chrysler No. 2084 653)
8	AE 29622	( -130828 )	Distributor complete (Chrysler No. 2875 827)
	AE 33015	(130829 - )	Distributor complete (Chrysler No. 3656 258)

**DISTRIBUTOR**  
**(Centrifugal Advance)**



E10526

Key	Part No.	Serial No.	Description
1	AE 33026	( - )	Cap (Chrysler No. 2448 290)
2	AE 33025	( - )	Rotor (Chrysler No. 2240 276)
3	AE 33022	( - )	Contact, Breaker (Chrysler No. 2421 178)
4	AE 33023	( - )	Condenser (Chrysler No. 1818 757)
5	AE 33024	( - )	Cable, primary (Chrysler No. 2448 293)
6	AE 29638	( - )	Gear and pin package (Chrysler No. 2084 653)
7	AE 33021	( - )	Distributor complete (Chrysler No. 2098 513)

NUMERICAL INDEX  
Engine, Chrysler - Model HB-225

Part No.	Page	Key	Part No.	Page	Key	Part No.	Page	Key	Part No.	Page	Key
A			AE 29666	8	5	AE 32031	12	2	AR 40420	25	..
A 3539 R	26	1	AE 29668	8	2	AE 32033	12	8	AR 42110	23	4
A 3539 R	26	2	AE 29669	8	2	AE 32035	12	13	AR 44008	23	7
A 3539 R	26	3	AE 29673	8	1	AE 32036	12	4	AR 48236	20	7
A 3539 R	26	5	AE 29674	8	1	AE 32244	12	5			
A 3539 R	26	18	AE 29676	4	..	AE 32245	12	1			
A 4159 R	26	17	AE 29677	2	11	AE 32246	12	6			
			AE 29678	2	10	AE 32415	2	..	AT		
			AE 29679	15	11	AE 33015	26	16	AT 10899	14	1
			AE 29680	15	1	AE 33015	27	9	AT 10911	16	35
			AE 29681	15	16	AE 33018	27	4	AT 15158	13	2
			AE 29682	4	11	AE 33019	27	5	AT 15601	16	34
			AE 29683	4	9	AE 33021	26	16	AT 20728	10	3
AE 27169	10	7	AE 29684	9	13	AE 33021	28	7	AT 21160	24	28
AE 27170	10	8	AE 29685	9	3	AE 33022	28	3	AT 21161	24	16
AE 28709	13	4	AE 29685	9	6	AE 33023	28	4	AT 23188	24	25
AE 28862	13	3	AE 29685	9	7	AE 33024	28	5	AT 23188	25	26
AE 28905	22	18	AE 29685	9	8	AE 33025	28	2	AT 23189	24	29
AE 28905	22	19	AE 29685	9	9	AE 33026	28	1	AT 23189	25	22
AE 28905	22	..	AE 29685	9	11				AT 32064	20	17
AE 28907	20	20	AE 29685	9	13				AT 32064	20	..
AE 28909	21	19	AE 29686	2	14	AF					
AE 28909	21	35	AE 29687	3	1	AF 3580 R	12	1	E		
AE 28909	21	42	AE 29688	3	6				E 16050	13	7
AE 28909	21	..	AE 29689	3	2	AH			E 38288	10	1
AE 28914	9	1	AE 29690	2	5	AH 20849	10	4	E 38288	10	15
AE 28916	16	..	AE 29691	2	8	AH 20849	11	7	E 38288	11	2
AE 29052	20	9	AE 29692	22	16	AH 20854	10	6	E 48175	23	1
AE 29053	20	14	AE 29693	22	12	AH 20857	10	5	E 48209	13	8
AE 29304	4	15	AE 29694	22	13	AH 20857	10	5	E 48253	10	13
AE 29408	9	2	AE 29695	22	11	AH 20857	11	8	E 48297	17	9
AE 29409	4	13	AE 29696	22	3	AH 78902	16	43	E 48298	17	11
AE 29507	16	21	AE 29697	22	20	AH 80015	21	3	E 48298	18	22
AE 29508	16	38	AE 29698	22	4	AH 80016	21	18	E 48497	20	6
AE 29509	16	46	AE 29707	22	2	AH 80017	21	1	E 48533	16	1
AE 29510	16	44	AE 29708	22	17	AH 80018	21	5	E 48562	10	1
AE 29611	21	6	AE 29709	22	5	AH 80021	21	9	E 48681	20	8
AE 29612	21	23	AE 29710	22	8	AH 80022	21	8	E 48681	20	21
AE 29612	21	24	AE 29711	22	7	AH 80024	21	34	E 48752	20	19
AE 29612	21	26	AE 29712	22	..	AM			E 48753	21	20
AE 29612	21	27	AE 29713	22	6	AM 30194	18	13B	E 48764	20	18
AE 29613	21	39	AE 29714	22	9				E 49301	17	10
AE 29614	21	..	AE 29715	26	8				E 49301	18	4
AE 29615	21	..	AE 29716	26	5				E 49725	16	27
AE 29620	4	16	AE 29717	26	10				E 49726	16	10
AE 29621	19	4	AE 29718	26	11				E 49727	16	15
AE 29622	26	16	AE 29719	26	9				E 49728	16	17
AE 29622	27	8	AE 29720	20	1				E 49729	16	42
AE 29623	26	1	AE 29721	20	4				E 49730	16	22
AE 29624	26	2	AE 29722	20	5				E 49731	16	16
AE 29625	26	3	AE 29723	17	1				E 49732	16	47
AE 29627	2	1	AE 30141	17	1				E 49733	16	8
AE 29628	7	3	AE 30141	18	1				E 49734	16	12
AE 29629	19	4	AE 30226	14	8				E 49735	16	23
AE 29632	27	3	AE 30317	11	12				E 49736	16	18
AE 29633	27	4	AE 30697	3	6				E 49737	16	13
AE 29634	27	3	AE 30698	2	14				E 49738	16	32
AE 29636	27	2	AE 30743	4	13				E 49739	16	25
AE 29637	27	6	AE 30958	14	7				E 49782	16	19
AE 29638	27	7	AE 31117	21	19				E 49900	21	36
AE 29638	28	6	AE 31117	21	35				E 49901	21	15
AE 29640	7	10	AE 31117	21	42				E 49902	21	33
AE 29642	7	10	AE 31117	21	..				E 49903	21	31
AE 29644	7	10	AE 31195	4	2				E 49904	21	30
AE 29646	7	11	AE 31197	22	15				E 49905	21	22
AE 29648	7	11	AE 31300	14	5				E 49906	21	21
AE 29650	7	11	AE 31325	4	23				E 49907	21	19
AE 29652	7	13	AE 31723	11	10				E 49908	21	..
AE 29654	7	13	AE 31724	11	11				E 49909	21	..
AE 29656	7	13	AE 31739	4	21				E 49910	21	38
AE 29658	7	2	AE 31740	18	13A				E 49911	21	12
AE 29659	7	15	AE 31772	2	11				E 49911	21	12
AE 29660	6	1	AE 31814	4	..				E 49911	4	17
AE 29661	6	3	AE 31815	4	..				E 49911	4	24
AE 29662	8	5									
AE 29664	8	5									

