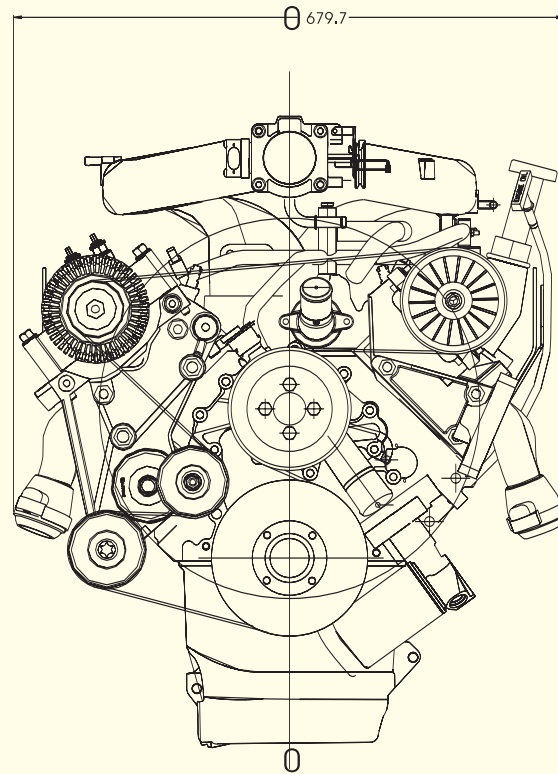
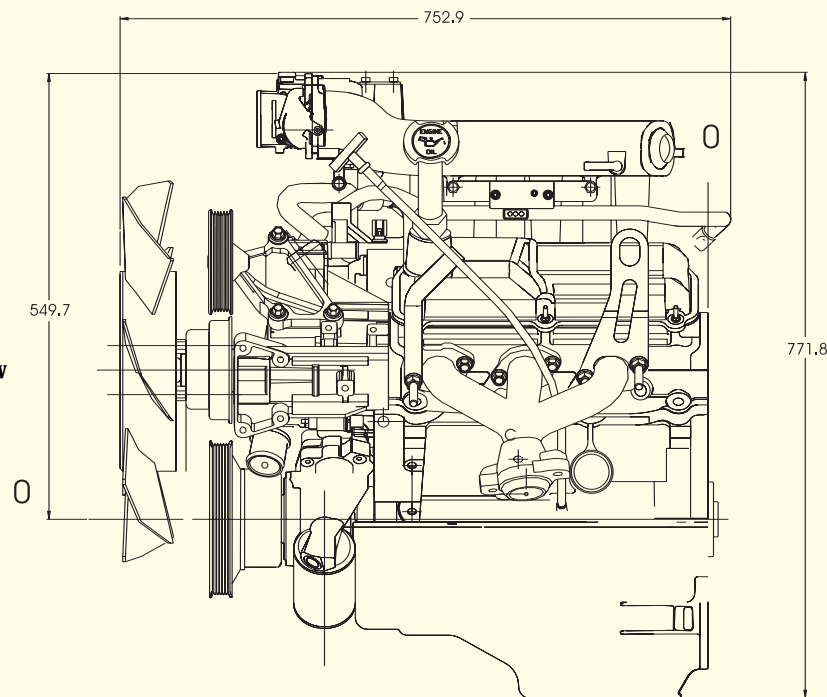


Installation Drawings

Front End View



Left Side View



Measurements mm

ESG-642 Base Industrial Engine 4.2-Litre 6-Cylinder



Powerful
Performance
from one
source.



Contact Ford Power Products or your local
FPP distributor for additional information.

Corporate Web Site: www.fordpowerproducts.com

Ford Power Products
15700 Lundy Parkway Drive
Suite 200
Dearborn, MI 48126
Phone: 1-800-833-4773
Fax: 1-313-619-2600

Ford Power Products
Trafford House, Station Way
Basildon, Essex, SS16 5XX, England
Phone: 44 (0)1268 704181
Fax: 44 (0)1268 702121

FPP 192-545 (Rev. 2/02)



