

Onan *Coach Command*TM

Parts Catalog

CCRV



Printed in U.S.A.

900-0290
9-2001

MODEL IDENTIFICATION

To avoid errors or delay in filling your parts order, always give the MODEL, SPEC NO. and SERIAL NO. from the Onan nameplate.

For handy reference, insert your nameplate information in the spaces below.

MODEL AND SPEC NO.

SERIAL NO.

DIGITAL CONTROL SOFTWARE VERSION
AND DATE (IF APPLICABLE)

SAFETY PRECAUTIONS

The following symbols are used in Onan manuals to alert users to the potentially dangerous conditions relating to maintenance of equipment and replacement of parts. Please read and observe.



This symbol warns of immediate hazards which will result in severe personal injury or death.



This symbol refers to a hazard or unsafe practice which can result in severe personal injury or death.



This symbol refers to a hazard or unsafe practice which can result in severe personal injury or product or property damage.

PRODUCT SAFETY PRECAUTIONS



Service and repair of Onan equipment must be performed by trained, experienced personnel only. Improper service or repair may result in property damage, severe personal injury or death. Do not use this catalog as a guide to servicing your equipment. Read and follow the IMPORTANT SAFETY INSTRUCTIONS in the Service Manual appropriate for the equipment you are working on.

PPLYH-1

Introduction

This catalog applies to Onan Coach Command Model CCRV. Parts are arranged in groups of related items and each illustrated part is identified by a reference number corresponding to the same reference number in the parts list. Parts illustrations are typical.

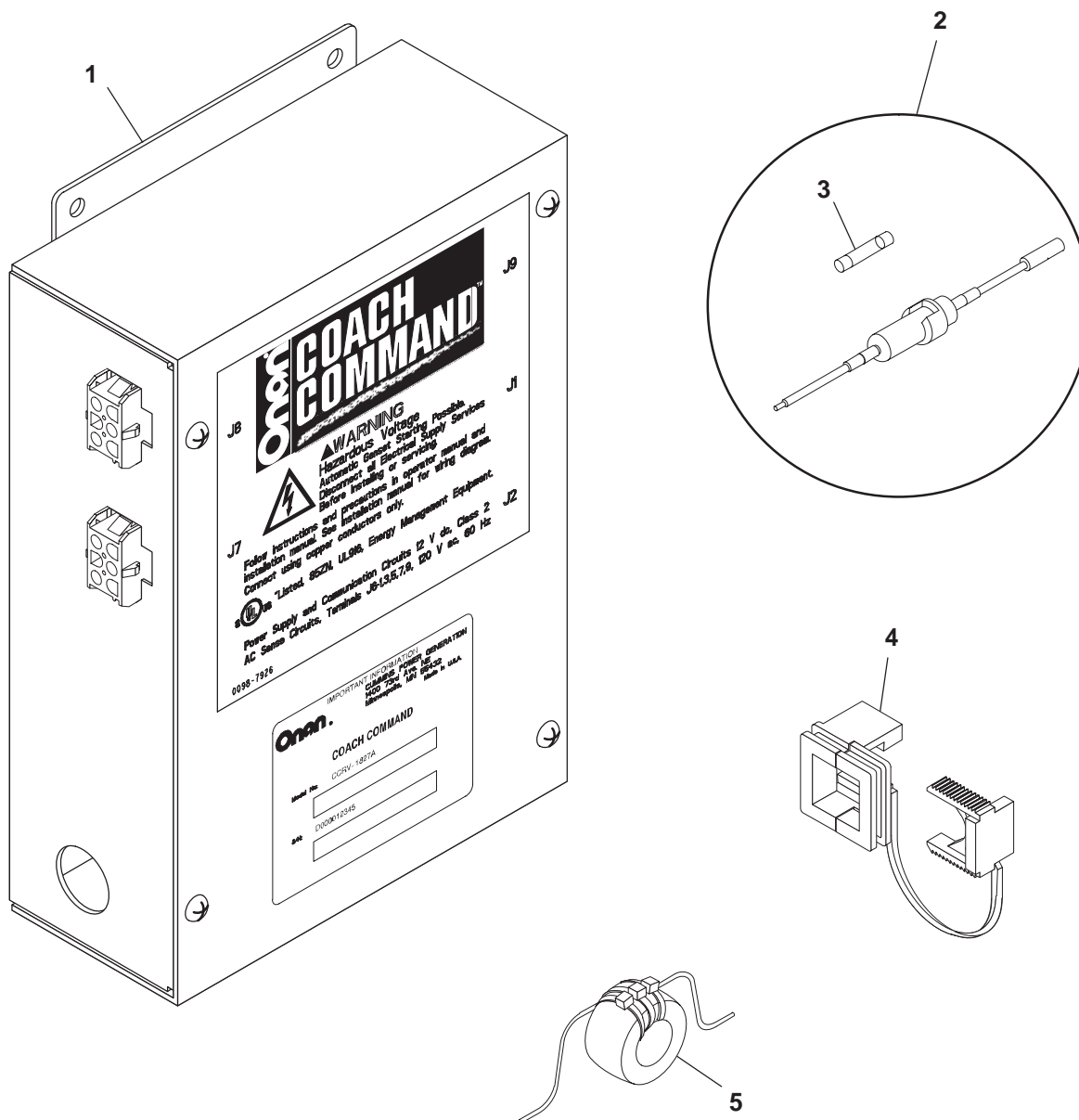
Abbreviations

Some of the following abbreviations may be used throughout this Parts Catalog:

AC	Alternating Current	mm	Millimeter
Amp	Ampere	MOH	Mobile Off Highway
A/R	As Required	NFS	Not For Sale
AVR	Automatic Voltage Regulator	NPT	National Pipe Thread
AWG	American Wire Gauge	OD	Outside Diameter
DC	Direct Current	oz.	Ounce
Deg	Degree	PC	Printed Circuit
EFC	Electronic Fuel Control	Ph	Phase
EIT	External/Internal Tooth	PMG	Permanent Magnet Generator
EPROM	Erasable Programmable Read Only Memory	PT/CT	Potential Transformer/Current Transformer
ET	External Tooth	RFI	Radio Frequency Interference
GFI	Ground Fault Interrupter	RT	Right
ID	Inside Diameter	Spec	Specification
IEC	International Electrotechnical Commission	Thk	Thick
IT	Internal Tooth	UL	Underwriters Laboratories Inc.
kW	Kilowatt	UNC	Union National Coarse
LPG	Liquid Petroleum Gas	UNF	Union National Fine
LT	Left	VAC	Volts Alternating Current
M(meter number)	Meter	VDC	Volts Direct Current
		W/(ET, IT, EIT)	With

Coach Command is a trademark of Onan Corporation.

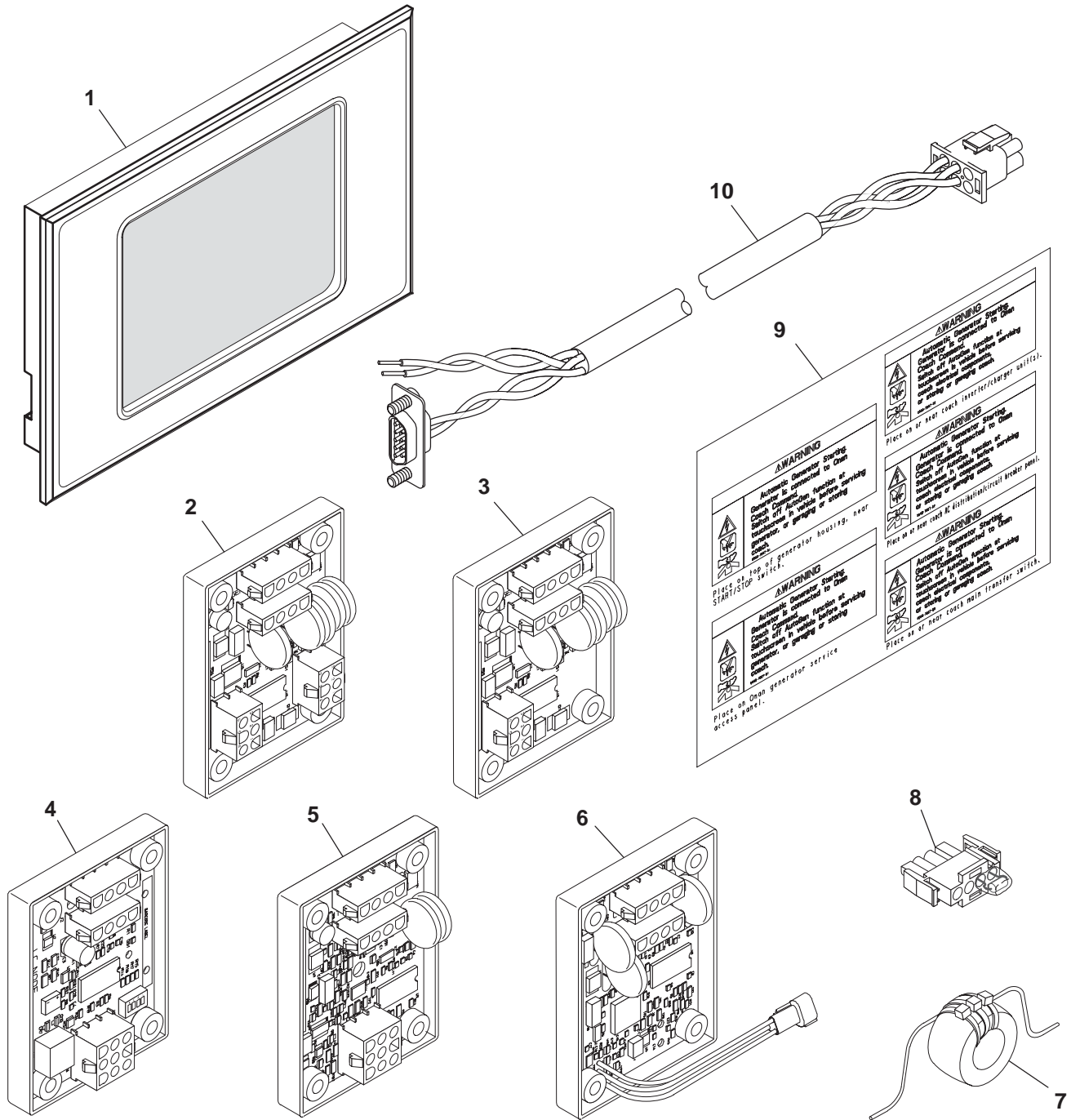
Transfer Switch Node



REF NO.	PART NO.	QTY USED	PART DESCRIPTION	REF NO.	PART NO.	QTY USED	PART DESCRIPTION
1	327-1284	1	Node Assembly, Transfer Switch	5	315-0861	2	Transformer, Current Configuration 0*
2	321-0375	5	Holder, Fuse (Includes a 5 Amp Fuse – Ref No. 3)	315-0861	4	Configuration 1*	
3	321-0372-03	1	Fuse, 5 Amp, 250 Volt	315-0861	6	Configuration 2*	
4	508-1175	1	Bushing, Strain Relief	315-0861	4	Configuration 3*	

* The Configuration Number is shown on the first Electrical Setup menu (OEM Setup → Setup). For more information, see the System Configuration section of the CCRV Installation Manual.

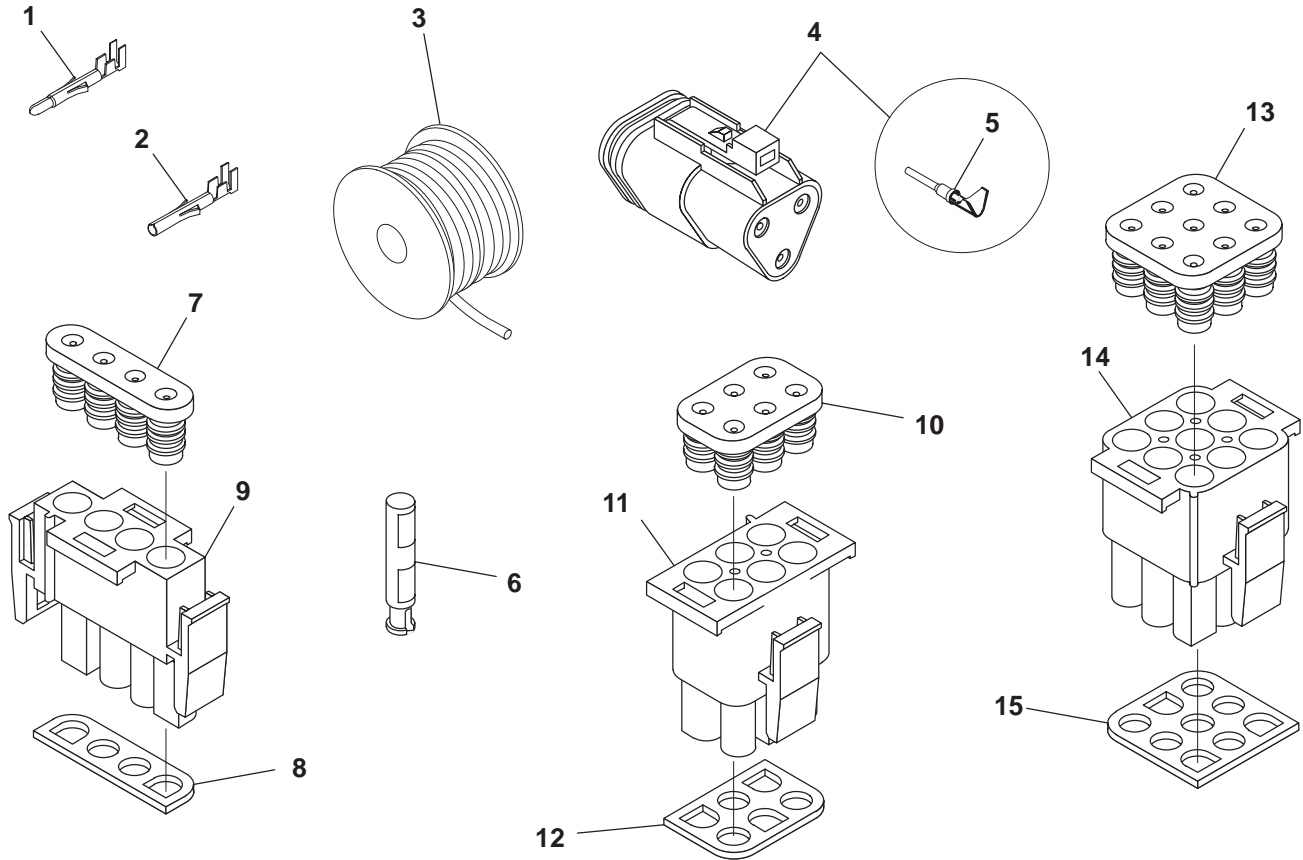
Miscellaneous Coach Command Parts



REF NO.	PART NO.	QTY USED	PART DESCRIPTION	REF NO.	PART NO.	QTY USED	PART DESCRIPTION
1	326-5529	1	Display, Touch Screen	8	323-1911	2	Plug, Terminating
2	300-5488	1	Node, Generator Interface	9	098-7867	1	Labels, Warning – Automatic Generator Start
3	300-5489	1	Node, Master	10	338-4075	1	Harness, Primary Screen
4	327-1288	A/R*	Node, Load Control				
5	300-5380	1	Node, Tank Level				
6	300-5466	1	Node, Engine Interface (CAN)				
7	315-0861	A/R*	Transformer, Current				

* Each Controlled Load Requires 1 Load Control Node and 1 Current Transformer.

Original Equipment Manufacturer Parts



REF NO.	PART NO.	QTY USED	PART DESCRIPTION	REF NO.	PART NO.	QTY USED	PART DESCRIPTION
1			Contact, Pin (Gold)	9			Connector, 4-Circuit
	323-1930	14	Master Node		323-1292	2	Master Node
	323-1930	17*	Load Control Node		323-1292	2	Generator Interface Node
	323-1930	20	Generator Interface Node		323-1292	2*	Load Control Node
	323-1930	17	Tank Level Node		323-1292	2	Tank Level Node
	323-1930	23	Transfer Switch Node - J1, J2, J6, and J8 Circuits		323-1292	3	Transfer Switch Node
	323-1930	8	Engine Interface (CAN) Node		323-1292	2	Engine Interface (CAN) Node
2			Contact, Socket (Gold) - Transfer Switch Node	10	323-1908	A/R	Seal, Wire - 6-Circuit Connector
	323-1931	6	J7 Circuit	11			Connector, 6-Circuit
	323-1931	4	J9 Circuit		323-1932	1	Master Node
3	334-1350	A/R	Cable, Network - 1000 Feet		323-1932	2	Generator Interface Node
4	323-1493	1	Connector, 3-Circuit - Engine Interface SAE J1939 (CAN) Node (Includes Socket Terminals [Ref No.5])		323-1932	2	Transfer Switch Node
				12	323-1907	A/R	Seal, Interface - 6-Circuit Connector
5	323-1492	3	Terminal, Socket	13	323-1906	A/R	Seal, Wire - 9-Circuit Connector
6	323-1912	A/R	Plug, Sealing	14			Connector, 9-Circuit
7	323-1910	A/R	Seal, Wire - 4-Circuit Connector		323-1201	1*	Load Control Node
					323-1201	1	Tank Level Node
					323-1201	1	Transfer Switch Node
8	323-1909	A/R	Seal, Interface - 4-Circuit Connector	15	323-1905	A/R	Seal, Interface - 9-Circuit Connector

* The quantity listed is for each Load Control Node

Numerical Index

<u>Part No.</u>	<u>Page</u>	<u>Part No.</u>	<u>Page</u>	<u>Part No.</u>	<u>Page</u>	<u>Part No.</u>	<u>Page</u>
098-7867, 3		323-1292, 4		323-1909, 4		326-5529, 3	
300-5380, 3		323-1492, 4		323-1910, 4		327-1284, 2	
300-5488, 3		323-1493, 4		323-1911, 3		327-1288, 3	
300-5489, 3		323-1905, 4		323-1912, 4		334-1350, 4	
315-0861, 2, 3		323-1906, 4		323-1930, 4		338-4075, 3	
321-0372-03, 2		323-1907, 4		323-1931, 4		400-5466, 3	
321-0375, 2		323-1908, 4		323-1932, 4		508-1175, 2	
323-1201, 4							

This Page Intentionally Left Blank

Onan

Cummins Power Generation
1400 73rd Avenue N.E.
Minneapolis, MN 55432
763-574-5000
Fax: 763-574-8087

Cummins and Onan are registered trademarks of Cummins Inc.



Redistribution or publication of this document
by any means, is strictly prohibited.