

The following catalog has gaps in its page numbers, or doesn't have any numbers. We have chosen to leave the page numbering in the order that Acrobat assigns it.



PROPERTY
OF
MEDICAL PARTS
LIBRARY
DO NOT REMOVE

Parts Catalog

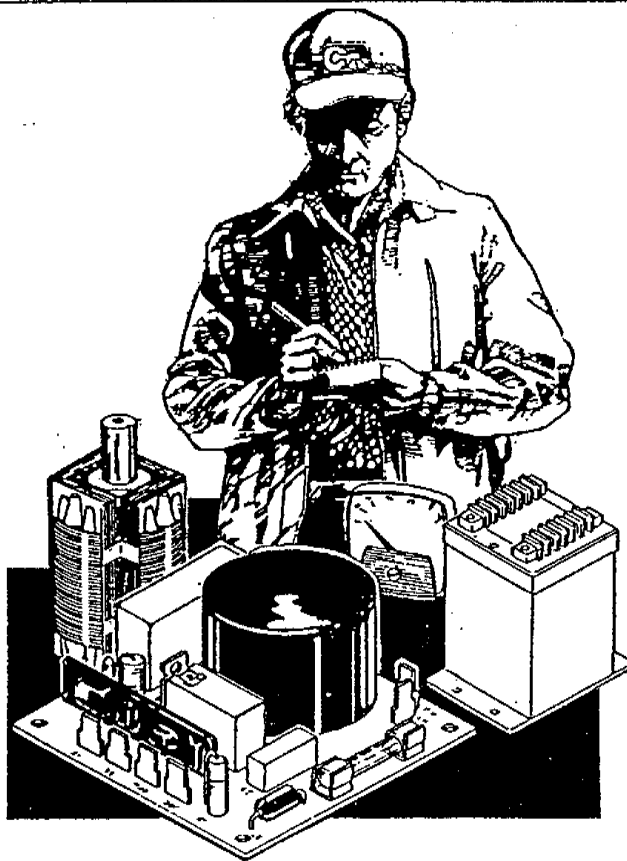
DP Series

DR Series

DZ Series

900 - 1250kW

PMG GENERATOR SET



General Information

For parts or service, contact the distributor from whom you purchased this equipment or refer to the nearest Authorized Cummins Distributor.

To avoid errors or delays in filling your parts order, always give the full MODEL, SERIAL and ID No. from the nameplate.

For handy reference, insert "YOUR"
nameplate information in the spaces below.


	<h1 style="margin: 0;">AC Generator Set</h1> <h2 style="margin: 0;">Model _____</h2>		
kw	kva	pf	phase
voltage		amps	
duty		overload	
rpm		hz	
class of insulation		pmg voltage	
field amp max		field voltage max	
generator model no.			
voltage regulator model no.			
ID no.			
generator set serial no.			
BS5000		NEMA	

TABLE OF CONTENTS

INTRODUCTION	2
INDEX	3
EXTERNAL ENGINE COMPONENTS - RIGHT SIDE	5
EXTERNAL ENGINE COMPONENTS - LEFT SIDE	7
ENGINE COOLANT HEATER (KIM TYPE).....	9
ENGINE COOLANT HEATER (WATLOW TYPE).....	11
GOVERNOR	12
TABLE OF CONTENTS FOR GENERATOR SECTION	31
GENERATOR - SPEC A	33
GENERATOR - BEGIN SPEC B	35
STATOR SECTION OF GENERATOR FRAME 6	37
STATOR SECTION OF GENERATOR FRAME 7	39
ROTOR SECTION OF GENERATOR FRAME 6	41
ROTOR SECTION OF GENERATOR FRAME 7	43
OVERSPEED SENSOR	44
OVERSPEED SWITCH	45
PERMANENT MAGNET EXCITER	46
TABLE OF CONTENTS FOR GENERATOR SET CONTROLS	51
GENERATOR SET CONTROL (WITH HOUSING ENCLOSURE)	53
ENGINE CONTROL COMPONENTS (SETS WITH HOUSING ENCLOSURE)	55
GENERATOR CONTROL COMPONENTS (SETS WITH HOUSING ENCLOSURE)..	57
CONTROL HEATER (SETS WITH HOUSING ENCLOSURE)	58
POTENTIAL TRANSFORMER (SETS WITH HOUSING ENCLOSURE	59
BLANK PAGE	60
WATTMETER (SETS WITH HOUSING ENCLOSURE)	61
GENERATOR SET CONTROL (WITHOUT HOUSING ENCLOSURE).....	63
ENGINE CONTROL COMPONENTS (SETS WITHOUT HOUSING ENCLOSURE)..	65
GENERATOR CONTROL COMPONENTS(SETS WITHOUT HOUSING ENCLOSURE)	67
BLANK PAGE	68

Introduction

This Parts Manual applies to the Standard Gen Sets Listed below. The illustrations are arranged in groups of related items, and each part or assembly is identified by a Reference Number. All parts illustrated are typical, and unless otherwise mentioned in the description column the parts are interchangeable between models.

These typical illustrations are subject to change and reflect only the latest replacement parts arrangement. The Right and Left sides of the Set are determined by FACING the FRONT (Engine end) of the Set.

Set Data Table

MODEL IDENTIFICATION	RATING	RPM RATING	BATTERY VOLTAGE
900.0D_LA - */ # @	900,000 WATTS	1500 RPM	24 VDC
1000.0D_LA - */ # @	1000,000 WATTS	1800 RPM	24 VDC
1100.0D_MA - */ # @	1100,000 WATTS	1500 RPM	24 VDC
1200.0D_MA - */ # @	1200,000 WATTS	1800 RPM	24 VDC
1250.0D_MA - */ # @	1250,000 WATTS	1800 RPM	24 VDC

- * - Voltage Codes follow Model Letter designations.
- # - Specification Number: Number 1 is Standard, all others indicate variations.
- @ - Specification Letter: Letter advances (A to B, B to C, etc) with major manufacturing changes.

Electrical Data Table

*VOLTAGE CODE	VOLTS	HERTZ	WIRE	PHASE	NOTES
H	347/600	60	4	3	
K	120/208	60	12	3	+
	127/220	60	12	3	
	139/240	60	12	3	
	240/416	60	12	3	
	254/440	60	12	3	
	277/480	60	12	3	
Y	110/190	50	12	3	+
	115/200	50	12	3	
	120/208	50	12	3	
	127/220	50	12	3	
	220/380	50	12	3	
	230/400	50	12	3	
	240/416	50	12	3	
	254/440	50	12	3	

+ - The Stators are Reconnectible.

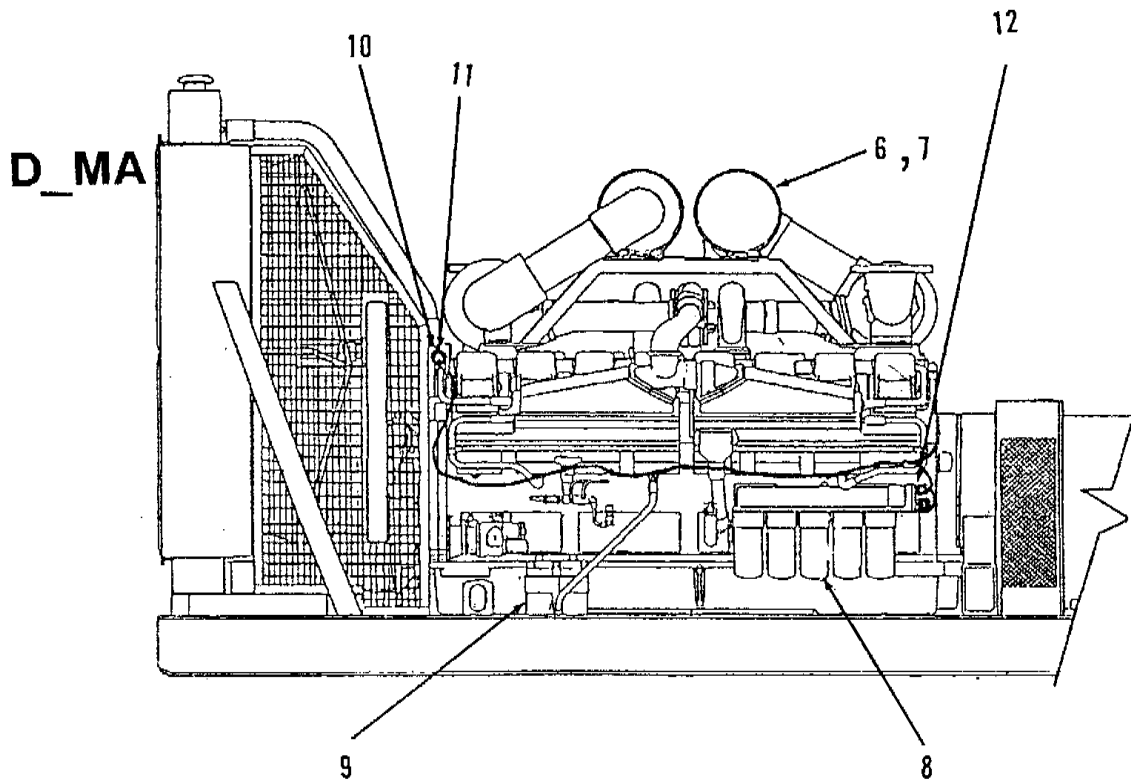
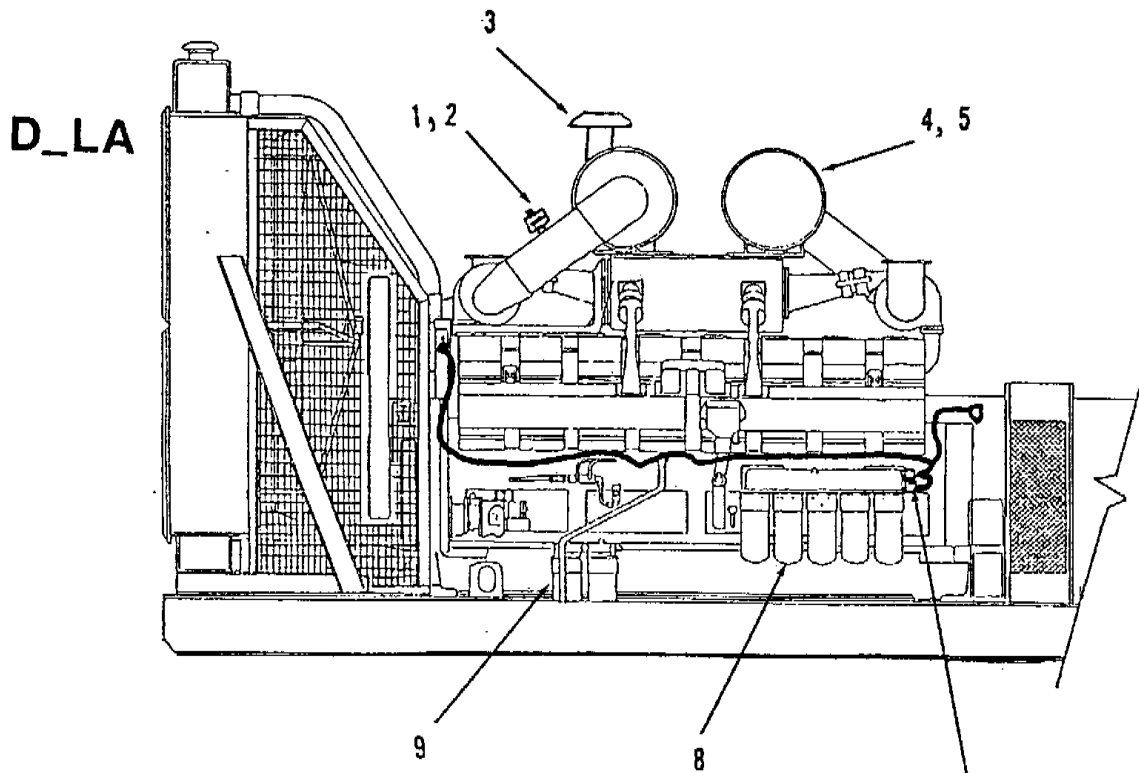
Engine Replacement Parts

The External Engine Components added or modified during the Generator Set Assembly have been identified in this Parts Manual. For Internal Engine Parts and External Engine Accessories not covered herein; refer to the applicable Cummins Engine Parts Catalog.

Index

Adapter, Generator 41,43
Ammeter - AC 57,67
Ammeter - DC 55,65
Bracket, End - Generator 37,39
Cable, Battery 7
Cap, Radiator 7
Control, Engine 55,65
Control, Generator 57,67
Control, Generator Set 53,63
Cooling System 7
Disk, Drive - Generator 41,43
Gauge, Pressure - Oil 55,65
Gauge, Temperature - Oil 55,65
Gauge, Temperature - Water 55,65
Generator 33,35
Harness, Wiring - Control (AC) 57,67
Harness, Wiring - Control (DC) 55,65
Harness, Wiring - Control To Engine 55,63
Harness, Wiring - Control to Generator 63
Harness, Wiring - Control to Governor 65
Harness, Wiring - Meter to Eng Monitor Bd 65
Harness, Wiring - Speed Control to Jack 65
Harness, Wiring - Fuse Block to Jack 67
Heater, Control 58
Housing, Control 53
Light, Indicator 55,65
Meter, Frequency 57,67
Meter, Tach 55,65
Meter, Time - Running 57,67
Radiator 7
Rotor, Exciter 41,43
Sender, Pressure - Oil 7
Sender, Temperature - Low Engine 5
Sender, Temperature - Water 5,7
Sender, Overspeed 44
Stator, Exciter 37,39
Switch, Overspeed 45
Switch, Pressure - Low Oil 7
Switch, Push - Reset/Panel 55,65
Switch, Push - Run/Stop/Remote 55,65
Switch, Rotary - Generator Control 57,67
Switch, Temperature - Hi Water 7
Switch, Temperature - Pre Water 7
Transformer, Current 53,63
Transformer, Potential 59
Voltmeter 55,57,65,67
Wattmeter 61

External Engine Components
Right Side



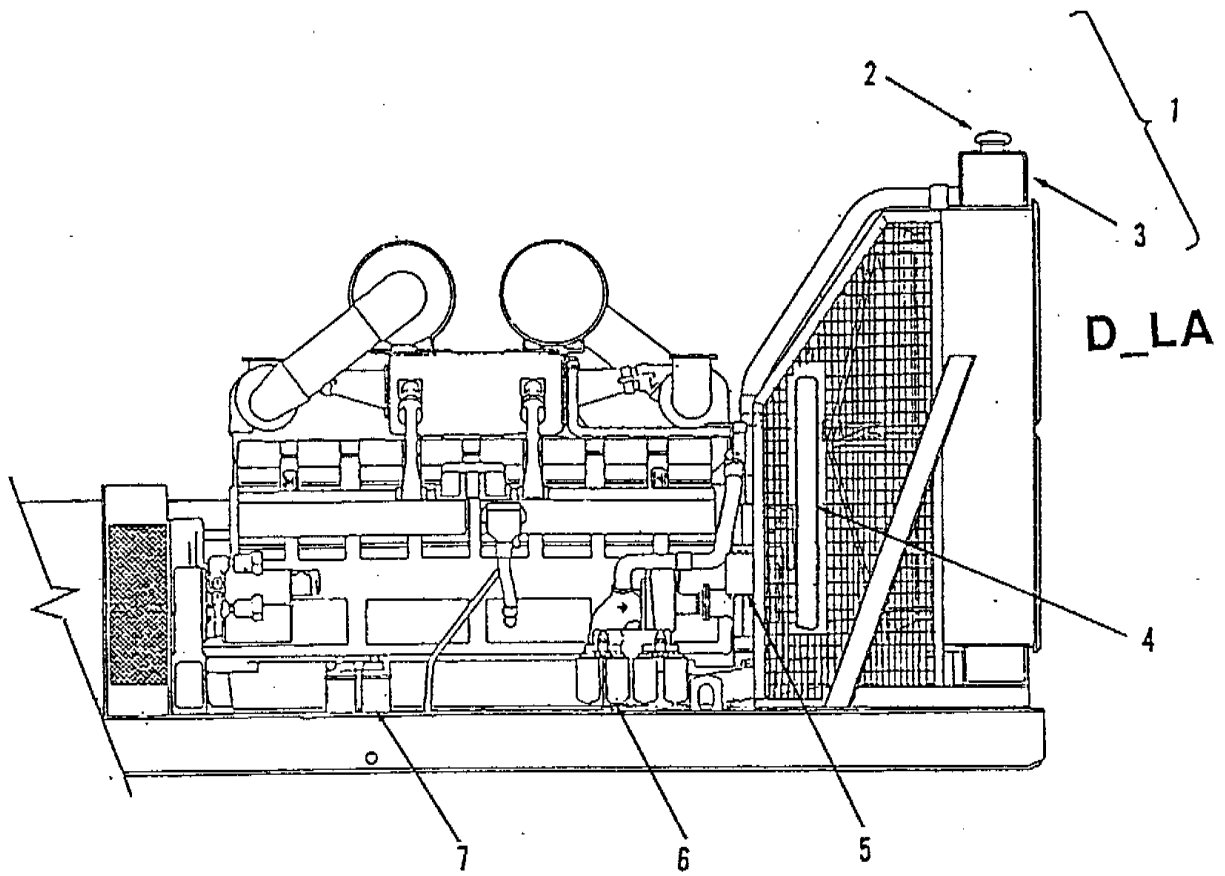
**External Engine Components
Right Side**

REF NO.	PART NO.	QTY USED	PART DESCRIPTION	REF NO.	PART NO.	QTY USED	PART DESCRIPTION
1	140-2226	2	Indicator, Air Restriction (Includes Fitting)	8	122-0757	5	Filter, Oil (CEC#3313282) [LF3325]
2	140-1260	2	Fitting, Male - Hex	9	149-2232	2	Filter, Fuel [FF202]
3	140-2343	4	Cap, Air Cleaner For 6" Tube Inlet	10	309-0437	2	Switches & Bushings Switch, Thermostatic - Shutdown (S2)
	140-2364	2	For 8" Tube Inlet		505-0117	2	Bushing, Reducer - Flush (1/2NPT x 3/8NPT)
	140-2352	2	For 10" Tube Inlet		309-0269	1	Switch, Temperature - Low Engine Temperature (S4)
4			Air Cleaner (Includes Element) D LA		309-0436	2	Switch, Therostatic - PreAlarm (S6)
	140-2264	2	Indoor		505-0131	2	Bushing, Reducer - Flush (3/4NPT x 3/8NPT)
	140-2363	2	Outdoor (8" Inlet Tube)		11		Sender & Bushing
	140-2345-02	2	Heavy Duty (Dual 6" Inlet Tubes)		193-0375	1	Sender, Temperature (E2)
5			Element - Air Cleaner D LA		505-0021	1	Bushing, Reducer (3/4NPT x 1/2NPT)
	140-2406	2	Indoor & Outdoor [AF928M]		12		Switches, Sender & Nipple
	140-2408	2	Heavy Duty Primary [AF1605M]		193-0244	1	Sender, Pressure - Oil (E1)
	140-2407	2	Heavy Duty Safety [AF1604]		309-0169	1	Switch, Pressure - Oil (Shutdown) (S1)
6			Air Cleaner (Include Element) D MA		309-0272	1	Switch, Pressure - Oil (PreAlarm) (S5)
	140-2413	2	Indoor (Disposable) [AH1106]		505-0104	1	Nipple, Pipe (1/8NPT x 1-1/2" LG)
	140-2349	2	Heavy Duty (10" Inlet Tube)		505-0763	1	Cross, Pipe (1/8NPT)
7			Element - Air Cleaner D MA		505-0028	1	Plug, Pipe - Square Head (1/8NPT)
	140-2411	2	Heavy Duty Primary [AM# CD1830610826] 3060222		13		Harness, Wiring - Engine
	140-2412	2	Heavy Duty Safety [AM# CD1830610827] 3060223				

NOTE: [] Numbers in Brackets are Fleetwood Inc. Identification, except for the numbers prefixed with "AM#" which are Air Maze Corporation Identifiers.

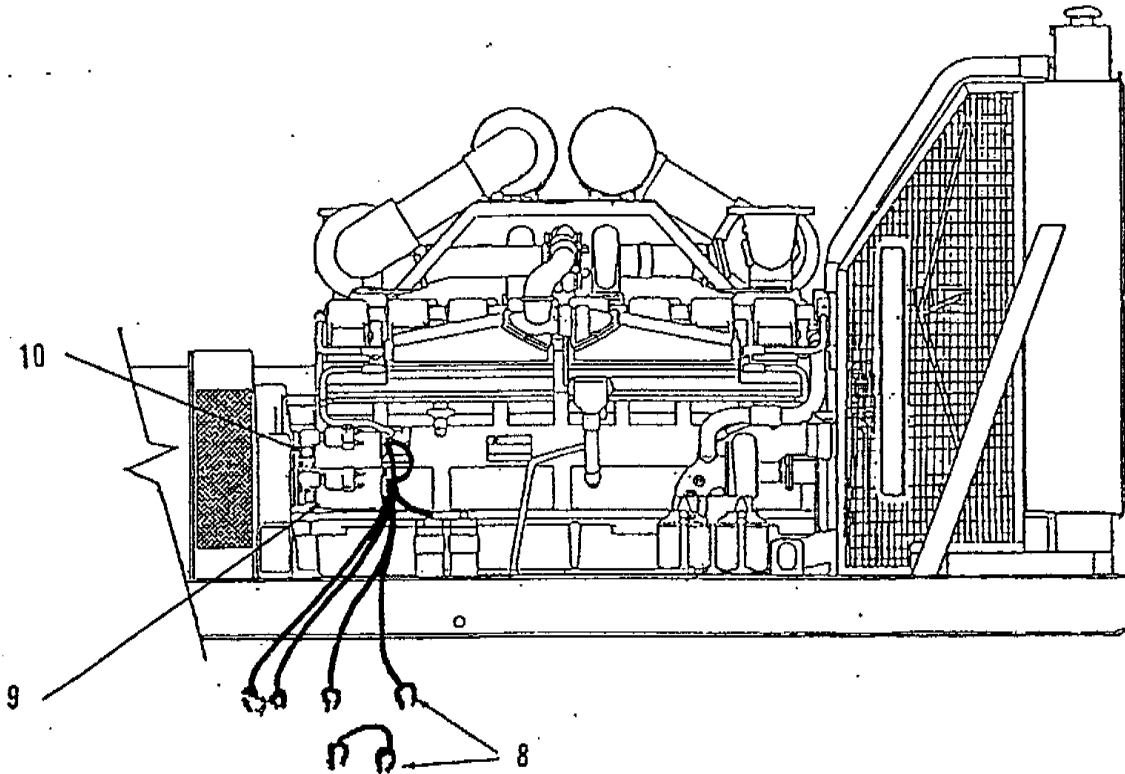


External Engine Components
Left Side



D_LA

D_MA



**External Engine Components
Left Side**

REF NO.	PART NO.	QTY USED	PART DESCRIPTION	REF NO.	PART NO.	QTY USED	PART DESCRIPTION
1	Note 1	REF	Cooling System - Radiator	4		1	Belt, Drive - Fan (CEC#3003341)
	179-1259	1	D_LA (BEARWARD # 53071-4P)	5			Alternator Charging System
	179-1277	1	D_MA (BEARWARD # 53061-5P)		191-1846-01	1	Alternator (35 Amp. 24 VDC)
			SPEC B		130-3317-01	1	Pulley, Drive
	179-1309	1	D_LA (BEARWARD # 53071-4PA)		511-0163	2	Belt, Drive - Alternator
	179-1310	1	D_MA (BEARWARD # 54071-5PA)	6	Note 2		Filter, Water - W/Corrosion Inhibiting Chemical DCA4
2			Cap, Radiator			4	Service for 90 & up Gal Cooling System [WF2072]
	130-0523	1	7 PSI (For 2" Fill Tube)			4	Pre-Charging for 90 & up Gal Cooling System [WF2075]
	130-2981	1	7 PSI (For 3" Fill Tube)	7	122-0526	2	Filter, Oil - Bypass
	130-3395	1	10 PSI (For 2" Fill Tube)	8			Cables & Leads
3			Radiator (Excludes Cap)		416-0473	2	Cable, Battery - Jumper
			SPEC A		416-0444	4	Cable, Battery (44" Lg)
	130-3288	1	D_LA		416-0680	3	Lead, Electrical
	130-3289	1	D_MA	9	191-1588	2	Starter, 24 VDC
			SPEC B	10	307-2621-02	2	Switch, Magnetic
	130-3405	1	D_LA				
	130-3406	1	D_MA				

CEC# 3014211 Belt - Mult V

CEC# 3031445 Belt - Mult V

NOTES:

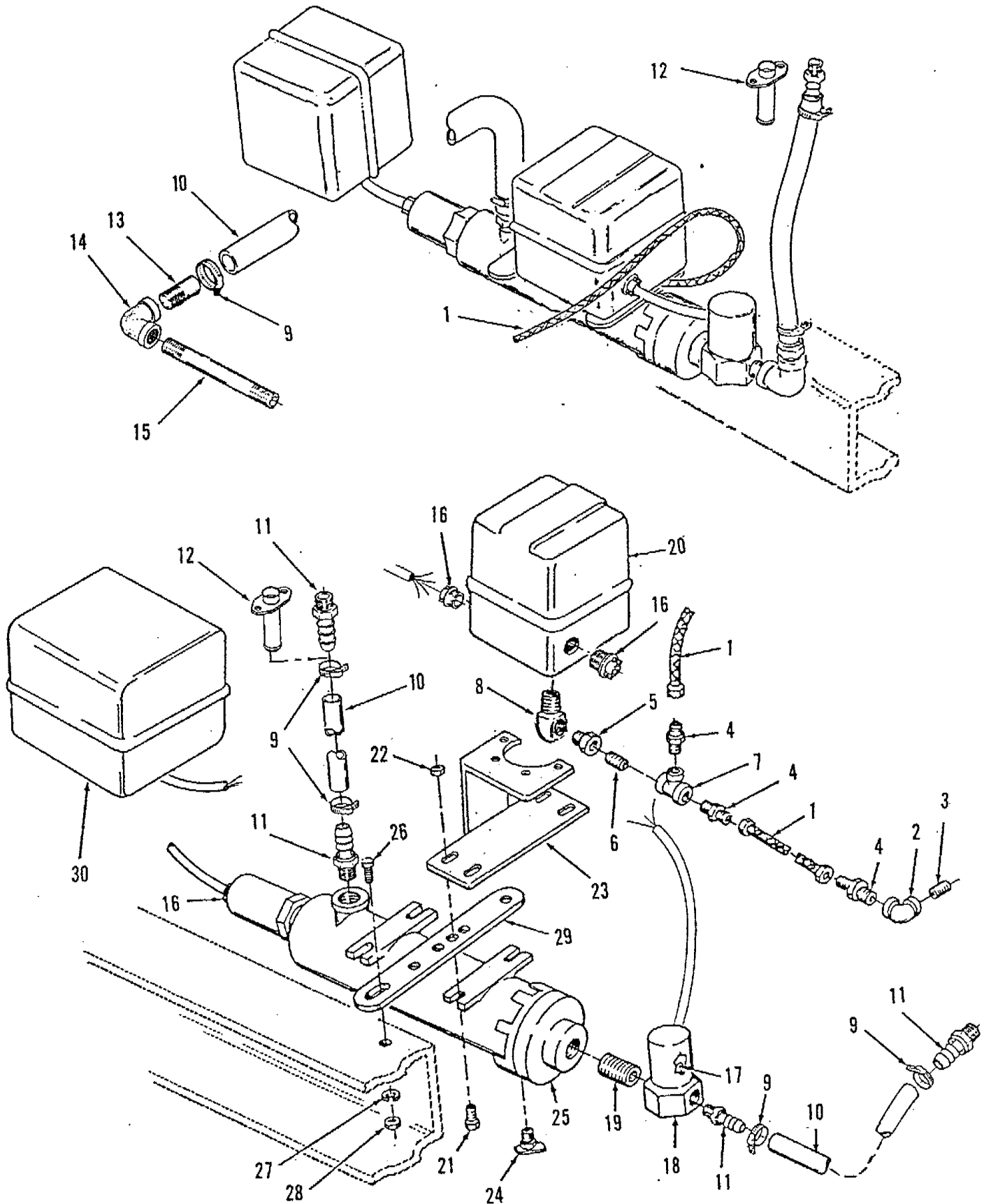
- Cooling Systems Supplied by Bearward.
BEARWARD ENGINEERING LTD
Main Road, Far Cotton
Northampton, England NN4 9HU
- Replacement cartridges recommend and should be used in lieu of the Original Engine Factory Installed Item which contains a Pre-Charge amount of DCA or DCA4 Chemical. Replacement with Pre-charge Cartridge may overload the Cooling System and cause problems or failure of the Set.
- {CEC#} Numbers in Parens are Cummins Engine Company Identification.
- [] Numbers in Brackets are Fleetwood Inc. Identification.

WARD

USA Office: BEARWARD RADIATOR
Route 22 Box 187
Fleetwood, PA 19522
215-944-6017



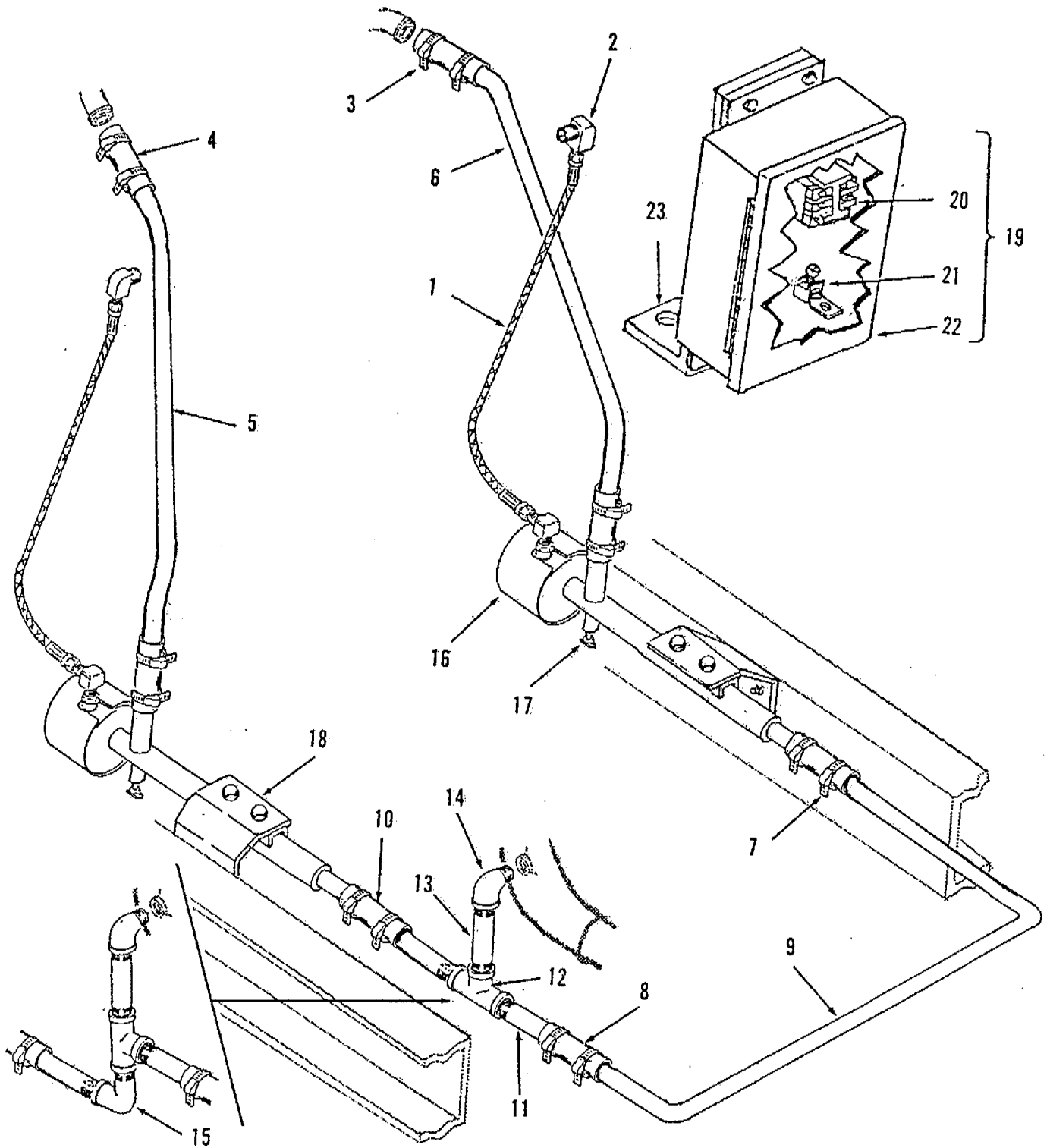
Dual Engine Coolant Heaters (Kim Type)



Dual Engine Coolant Heaters (Kim Type)

REF NO.	PART NO.	QTY USED	PART DESCRIPTION	REF NO.	PART NO.	QTY USED	PART DESCRIPTION
1	501-0199	2	Line, Fuel - Flexible	19	505-0004	2	Nipple, Pipe - Close (3/4 NPT x 1-1/2")
2	505-0037	1	Elbow - 90 Degree (1/8 NPT)	20	309-0271	2	Switch, Pressure - Oil
3	505-0104	1	Nipple, Pipe - Close (1/8 NPT x 1-1/2")		812-0079	8	Attaching Parts for Switch Screw, Machine - Round Head (#8-32 x 1/2")
4	502-0193	4	Adapter, Hex - Pipe to Line		854-0007	8	Washer, Lock - ET (#8)
5	505-0007	2	Bushing, Reducer - Hex (1/4 NPT x 1/8 NPT)	21	800-0008	4	Screw, Cap - Hex Head (1/4-20 x 1-1/4")
6	505-0098	1	Nipple, Pipe - Close (1/8 NPT x 3/4")	22	870-0212	4	Nut, Self-locking - Hex (1/4-20)
7	505-0059	1	Tee, Pipe (1/8 NPT)	23	333-0224	2	Bracket, Support - Pressure Switch
8	502-0054	2	Elbow, Pipe - Street, 90 Degree (1/8 NPT)	24	504-0003	2	Cock, Drain
9	503-0398	8	Clamp, Hose	25			Heater, Electrical - Coolant
10	503-0249	AR	Hose, Rubber - Bulk (1"ID x 1-3/8"OD) [Sold in Multi Foot lengths, order as required]		333-0143	2	4000 Watt, 208 VAC - 1 Phase
11	505-0759	7	Adapter, Hose to Pipe		333-0164	2	4000 Watt, 208 VAC - 3 Phase
12	130-3200	2	Adapter, Hose with Flange (Used on some applications)		333-0138	2	4000 Watt, 240 VAC - 1 Phase
13	505-0324	1	Nipple, Pipe - Half (3/4 NPT x 2")		333-0190	2	4000 Watt, 240 VAC - 3 Phase
14	505-0132	1	Elbow, Pipe - Street, 90 Degree (3/4 NPT)		333-0150	2	4000 Watt, 277 VAC - 1 Phase
15	505-0438	1	Nipple, Pipe (3/4 NPT x 8")		333-0183	2	4000 Watt, 380 VAC - 1 Phase
16	331-0027	12	Clamp, Cable		333-0174	2	4000 Watt, 380 VAC - 3 Phase
17			Terminals		333-0161	2	4000 Watt, 480 VAC - 1 Phase
	323-0957	4	Nut, Wire	26	821-0030	8	4000 Watt, 480 VAC - 3 Phase
	332-0014	8	Lug, Terminal - Ring (#10)				Screw, Self-locking - Hex Head (5/16-18 x 1-1/4")
	332-0149	8	Lug, Terminal - Ring (#8)	27	850-0045	8	Washer, Lock - Spring (5/16")
18			Switch, Thermostatic	28	862-0015	8	Nut, Hex (5/16-18)
	309-0490	2	100° - 120° Fahrenheit	29	130-1191	4	Bracket, Mounting
	309-0253	2	120° - 140° Fahrenheit	30			Contactors
					307-1460	2	230 VAC, 3 Pole
					307-1164	2	460 VAC, 3 Pole

Dual Engine Coolant Heaters (Watlow Type)



Dual Engine Coolant Heaters (Watlow Type)

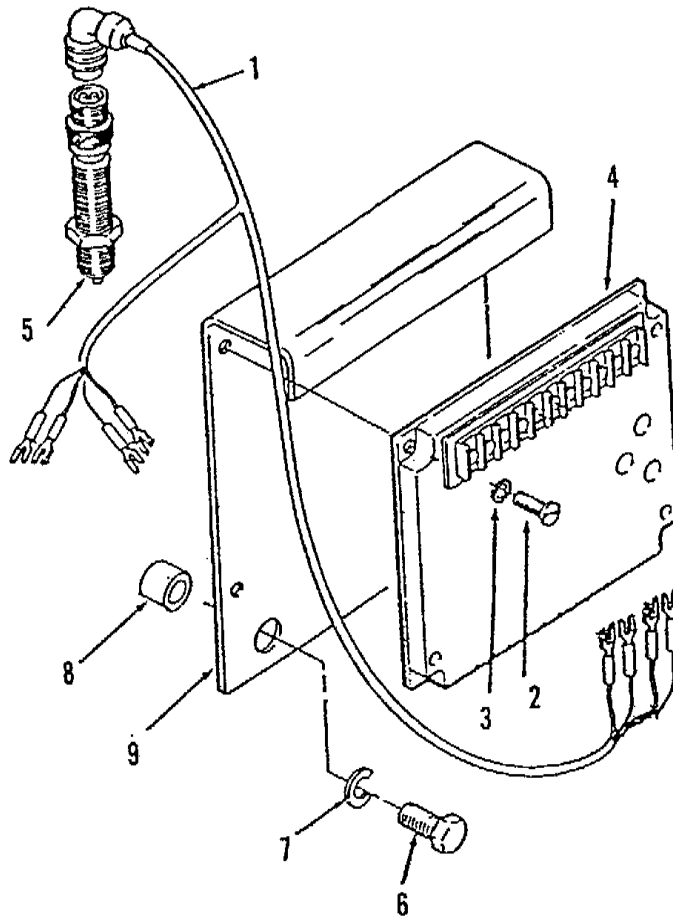
REF NO.	PART NO.	QTY USED	PART DESCRIPTION	REF NO.	PART NO.	QTY USED	PART DESCRIPTION
1		REF	Hose Assembly - Oil Pressure (Select as required)				Without Pressure Switch
	501-0537-03	2	32" Lg		333-0413-09	2	120V, 4000 Watt
	501-0537-07	2	50" Lg		333-0413-08	2	208V, 4000 Watt
	501-0537-26	2	60" Lg		333-0413-07	2	240V, 4000 Watt
					333-0413-10	2	480V, 4000 Watt
2	502-1043-01	4	Elbow, Pipe - Male, 90 DEG				Attaching Parts for Heater
3	503-1603	8	Clamp, Hose		800-0222	4	Screw, Cap - Hex Head (1/4-20 x 3/4")
4	503-1602	4	Hose, Rubber				Washer, Lock - Spring (1/4")
5	130-3339	1	Tube, Water		850-0101	4	Isolator, Vibration
6	130-3340	1	Tube, Water		402-0608	4	Isolator, Vibration
7	503-1603	6	Clamp, Hose		402-0609	4	Cock, Drain (1/4 NPT)
8		2	Hose, Rubber (CEC# 200517)	17	504-0003	2	Bracket, Mounting - Heater
9		1	Tube, Water (CEC# 3056251)	18	130-3189	2	Attaching Parts for Bracket
10		1	Hose, Rubber (CEC# 3009805)				Screw, Cap - Hex Head (3/8-16 x 1-1/4")
11		2	Nipple, Pipe - Half (CEC# 153409)		800-0210	8	Washer, Lock - Spring (3/8")
12		1	Tee, Pipe (CEC# 3056256)				Nut, Hex - Brass (3/8-16)
13		1	Nipple, Pipe (CEC# 5912C)		850-0103	8	Switch, Control - Heater (Includes Contactor, Ground Lug and Box)
14		1	Elbow, Pipe - Street - 90° (CEC# 5906C)		871-0028	8	Contactor (50 AMP, 3 Pole, SPST, 120 VAC Coil) [Wat# 198-0-20-3]
15		1	Elbow, Pipe - Street - 90° (CEC# 3056257) (Not used all Installations)	19		2	Lug, Ground [Wat# 191-16-6-1]
16		REF	Heater, Electrical - Coolant (Includes Thermostat, Drain Cock, Mounting Nuts and may or may not include pressure switch) With Pressure Switch	20		1	Box, Electrical [Wat# 303-62-29-29]
	333-0389-06	2	120V, 4000 Watt	21		1	Bracket, Mounting - Box
		2	208V, 4000 Watt	22		1	Attaching Parts for Brackets
	333-0389-02	2	240V, 4000 Watt	23		2	Screw, Cap - Hex Head (1/4-20 x 3/4")
	333-0389-04	2	480V, 4000 Watt		800-0222	8	Washer, Lock - Spring (1/4")
					850-0101	8	Nut, Hex (1/4-20)
					862-0031	8	

NOTES:

1. (CEC#) Numbers in Parens are Cummins Engine Company Identification.
2. [WAT#] Numbers in Brackets are Watlow Industries Inc. Identification; Manufacturers of Heaters and Controls.

USA OFFICE
Watlow Industries Inc.
Div. of Watlow Electric Co.
Hannibal, Mo.

Electric Governor



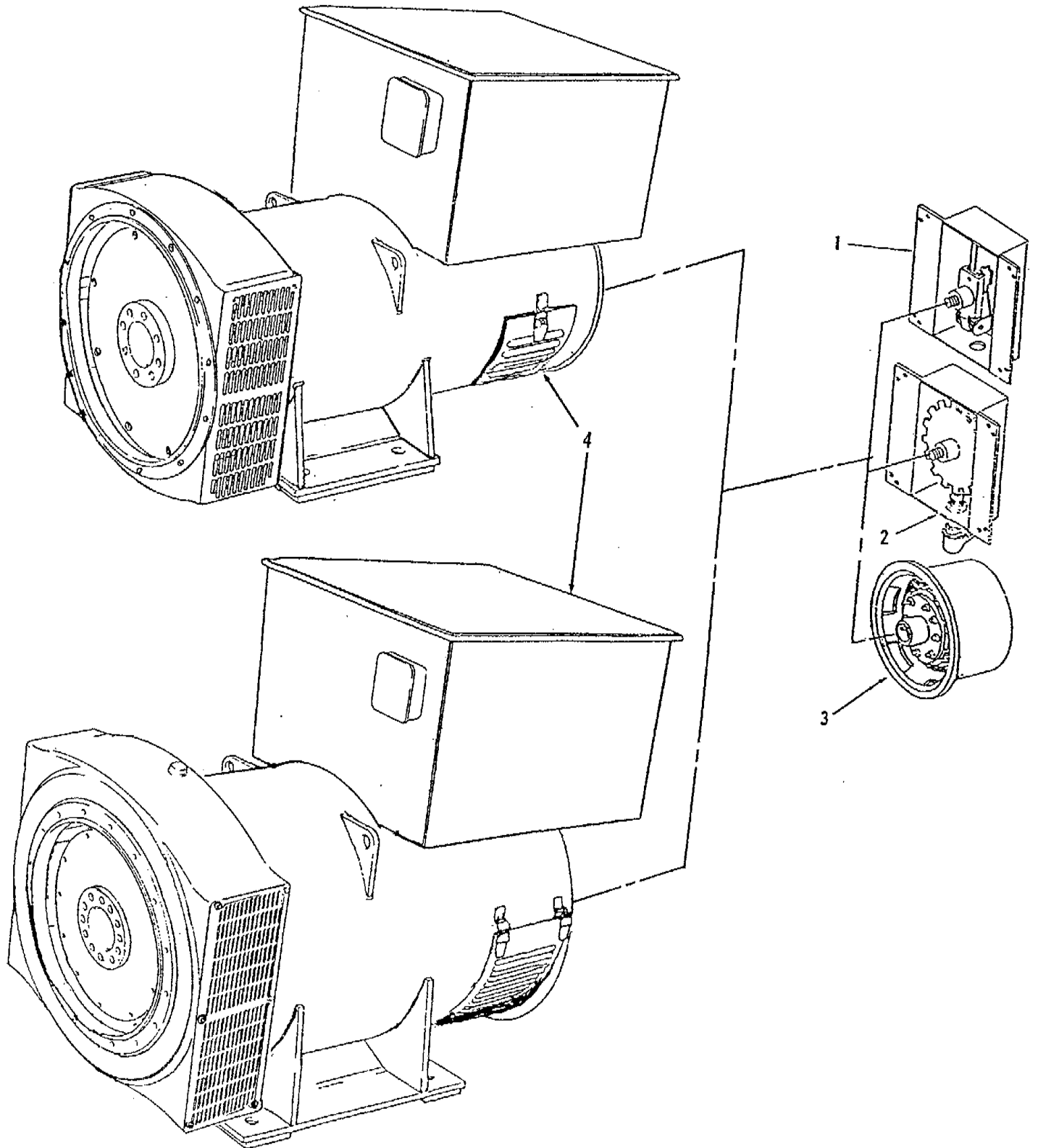
REF NO.	PART NO.	QTY USED	PART DESCRIPTION	REF NO.	PART NO.	QTY USED	PART DESCRIPTION
1	338-1777	1	Harness, Wiring	5	151-0411	1	Pickup, Magnetic
2	813-0103	4	Screw, Machine - Round Head (#10-32 x 3/4")	6	800-0151	2	Screw, Cap - Hex Head (3/4-10 x 1")
3	870-0131	4	Nut, Self-locking, Hex (#10-32)	7	850-0079	2	Washer, Lock - Spring (3/4")
4	151-0682	1	Controller, Governor	8	370-4040	2	Spacer, Sleeve
				9	150-2007	1	Bracket, Mounting

TABLE OF CONTENTS

GENERATOR SECTION

GENERATOR - Spec A	33
GENERATOR - Spec B	35
STATOR SECTION - SAE 0 / SAE 18, Frame 6	37
STATOR SECTION - SAE 0 / SAE 18, Frame 7	39
ROTOR SECTION - SAE 0 / SAE 18, Frame 6	41
ROTOR SECTION - SAE 0 / SAE 18, Frame 7	43
OVERSPEED SENSOR	44
OVERSPEED SWITCH	45
PERMANENT MAGNET EXCITER	46

Generator
Spec A

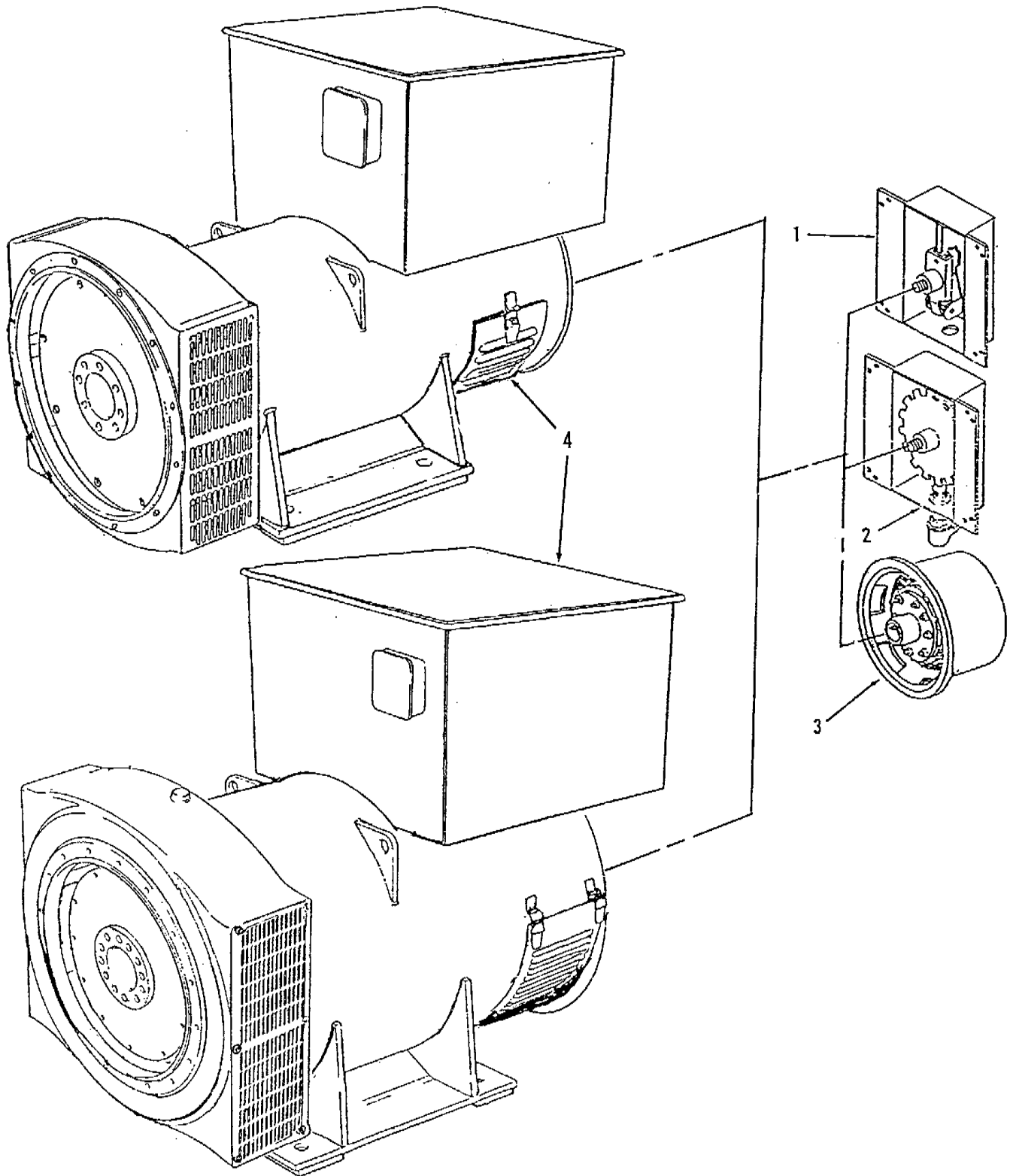


Generator Spec A

REF NO.	PART NO.	QTY USED	PART DESCRIPTION	REF NO.	PART NO.	QTY USED	PART DESCRIPTION
1		1	Module, Overspeed Switch (See Separate Page for Parts)	4	Note 1		Generator - Frame 6 & 7 (See Separate pages for Parts)
	821-2045	4	Attaching Parts Screw, Self-locking - Hex Hd (M8 x 1.25 x 16mm)		800-0578	4	Attaching Parts Generator to Chassis Screw, Cap - Hex Head (1 1/4-7 x 3-1/2")
2		1	Module, Overspeed Sensor (See Separate Page for Parts)		850-0092	4	Washer, Lock - Spring (1-1/4")
	821-2045	4	Attaching Parts Screw, Self-locking - Hex Hd (M8 x 1.25 x 16mm)		526-0093	4	Washer, Flat (1-1/4")
					862-0017	4	Nut, Hex (1 1/4-7)
3		1	Module, Perm. Magnet Exciter (See Separate Page for Parts)		800-0576	16	Adapter to Flywheel Housing Screw, Cap - Hex Head, Gr 8 (1/2-13 x 3/4")
	249-0298	4	Attaching Parts Screw, Cap - Hex Head (M8 x 16mm)		850-0060	16	Washer, Lock - Spring (1/2")
	249-0218	4	Washer, Lock (M8)		800-0530	6	Drive Disc to Flywheel Screw, Cap - Hex Head, Gr 8 (5/8-11 x 1-1/4")
	249-0315	4	Clamp, Retaining				

Note 1: For Replacement Generator please supply the complete Gen Set nameplate and Generator nameplate data.

Generator
Begin Spec B



**Generator
Begin Spec B**

REF NO.	PART NO.	QTY USED	PART DESCRIPTION	REF NO.	PART NO.	QTY USED	PART DESCRIPTION
1		1	Module, Overspeed Switch (See Separate Page for Parts)	4	Note 1		Generator - Frame 6 & 7 (See Separate pages for Parts)
	821-2045	4	Attaching Parts Screw, Self-locking - Hex Hd (M8 x 1.25 x 16mm)		800-0273	4	Attaching Parts Generator to Chassis Screw, Cap - Hex Head (1 1/4-7 x 4")
2		1	Module, Overspeed Sensor (See Separate Page for Parts)		850-0092	4	Washer, Lock - Spring (1-1/4")
	821-2045	4	Attaching Parts Screw, Self-locking - Hex Hd (M8 x 1.25 x 16mm)		526-0093	4	Washer, Flat (1-1/4")
					862-0017	4	Nut, Hex (1 1/4-7)
3		1	Module, Perm. Magnet Exciter (See Separate Page for Parts)		800-0576	16	Adapter to Flywheel Housing Screw, Cap - Hex Head, Gr 8 (1/2-13 x 3/4")
	249-0298	4	Attaching Parts Screw, Cap - Hex Head (M8 x 16mm)		850-0060	16	Washer, Lock - Spring (1/2")
	249-0218	4	Washer, Lock (M8)		800-0530	6	Drive Disc to Flywheel Screw, Cap - Hex Head, Gr 8 (5/8-11 x 1-1/4")
	249-0315	4	Clamp, Retaining				

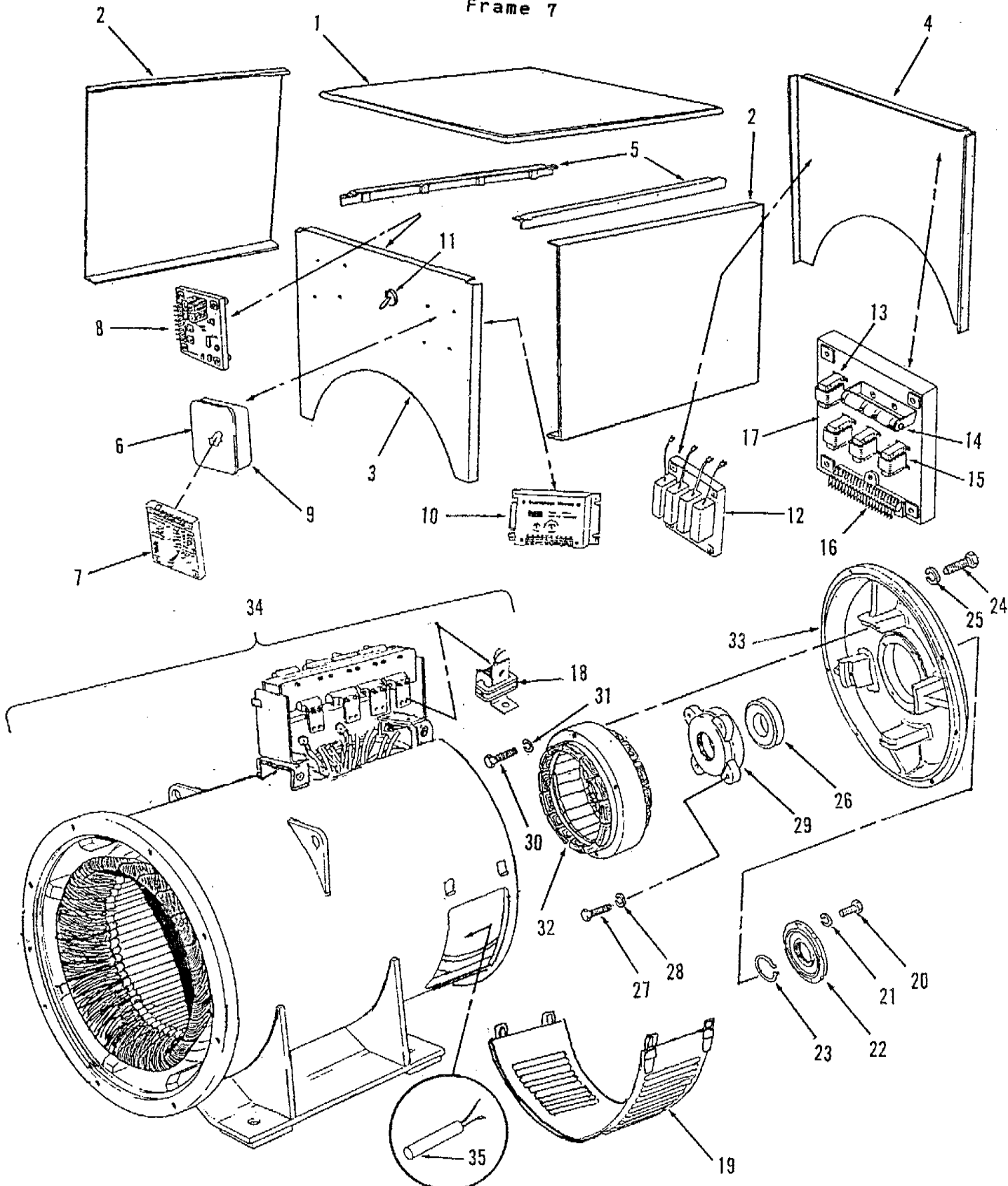
Note 1: For Replacement Generator please supply the complete Gen Set nameplate and Generator nameplate data.

**Generator
Stator Section
Frame 6**

REF NO.	PART NO.	QTY USED	PART DESCRIPTION	REF NO.	PART NO.	QTY USED	PART DESCRIPTION
1	249-0631	1	Lid	11	249-0243	4	Screw, Cap - Hex Head (M10 x 30mm)
	249-0304	4	Attaching Parts Screw, Captive	12	249-0202	4	Washer, Lock - Spring (M10)
2	305-0770	1	Regulator, Voltage	13	249-0510	1	Cap, Bearing - Outer
	305-0778	1	Standard 1 Phase u/w PMG	14	249-0447	1	Circlip
	305-0803	1	3 Phase (Used with PMG Exciter & 3 Phase Sensing Module)	15	249-0204	8	Screw, Cap - Hex Head (M12 x 40mm)
	249-0398	4	Manual	16	249-0205	8	Washer, Lock - Spring (M12)
3	249-0564	1	Attaching Parts Pillar, Threaded	17	249-0448	1	Bearing, Ball
	249-0398	4	Module, 3 Phase Sensing	18	249-0245	4	Screw, Cap - Hex Head (M10 x 50mm)
4	249-0395	1	Attaching Parts Pillar, Threaded	19	249-0202	4	Washer, Lock - Spring (M10)
5	300-3209-02	1	Box	20	249-0509	1	Cap, Bearing - Inner
	249-0295	4	Module, Frequency Detection	21	249-0445	6	Screw, Cap - Hex Head (M6 x 85mm)
	249-0288	4	Attaching Parts Screw, Cap - Hex Head (M5 x 35mm)	22	249-0212	6	Washer, Lock - Spring (M6)
	249-0287	4	Washer, Plastic (M5)	23	249-0470	1	Stator, Exciter
6	NFS	1	Nut, Hex - Nylon (M5)	24	249-0527	1	Bracket, End
7	NFS	2	Lid	25	NFS	1	Stator, Generator (Includes Terminal Studs and Links) Attaching Parts Stator to Adapter
8	NFS	1	Panel, Side		249-0204	8	Screw, Cap - Hex Head (M12 x 40mm)
9	NFS	1	Panel, Front		249-0205	8	Washer, Lock - Spring (M12)
10	249-0513	2	Panel, Rear	26	249-0621	1	Heater, Electrical - Replacement 70 Watt, 120 VAC
			Grille, Inlet - Air		249-0622	1	70 Watt, 240 VAC

NFS - Not For Sale

Generator Stator Section Frame 7

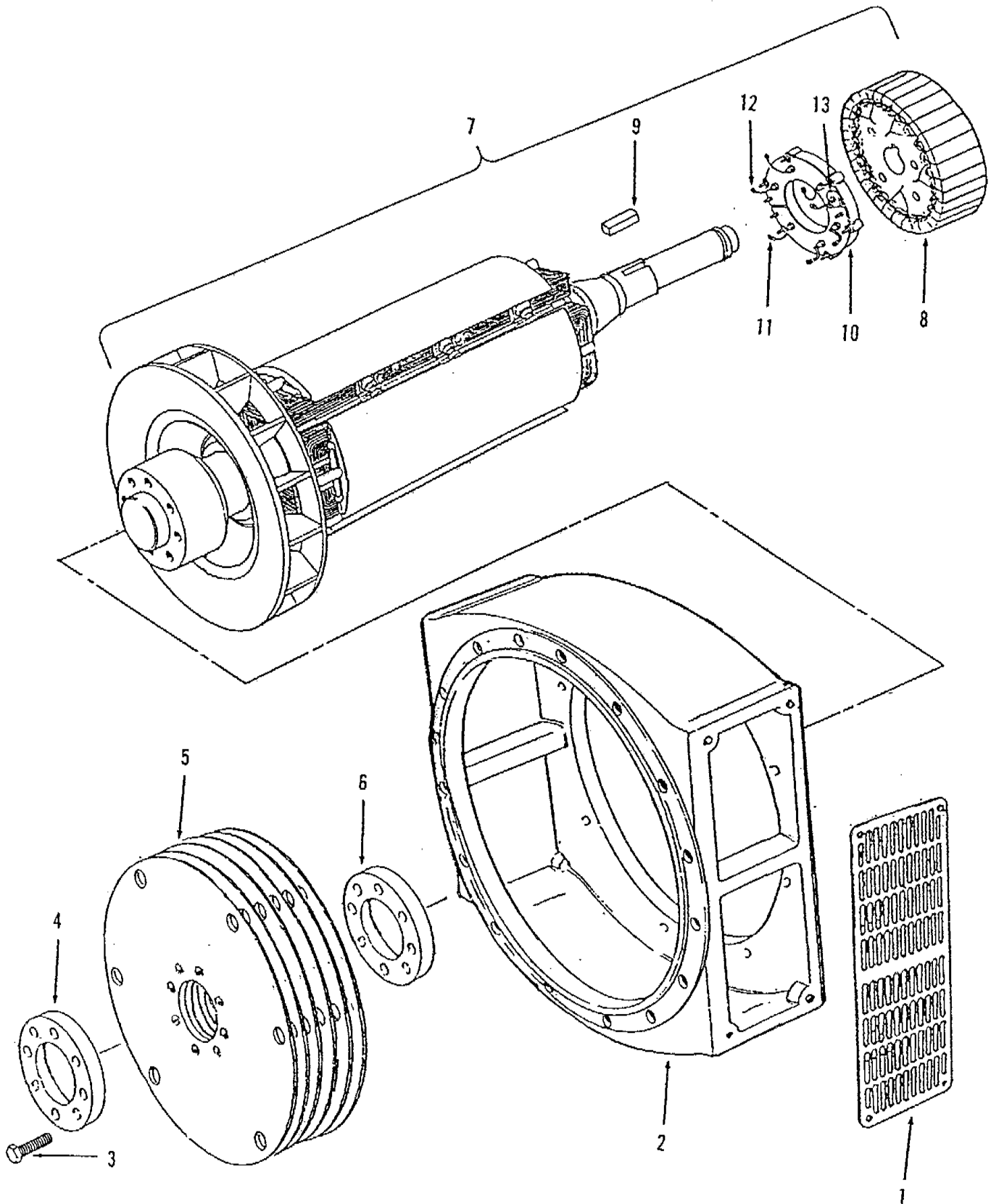


**Generator
Stator Section
Frame 7**

REF NO.	PART NO.	QTY USED	PART DESCRIPTION	REF NO.	PART NO.	QTY USED	PART DESCRIPTION
1	NFS	1	Lid	17	249-0424	1	Panel, Terminal Block Mtg Transformer, Current
2	NFS	2	Panel, Side	18			Used on Standard Voltage Generator
3	NFS	1	Panel, Front	302-1852-01	3		Used on Medium Voltage Generator
4	NFS	1	Panel, Rear				
5	NFS	2	Bracket, Angle	302-1852-03	3		
6	249-0425	2	Lid				
			Attaching Parts	19	249-0583	2/	Grille, Inlet - Air
	249-0304	8	Screw, Captive	20	249-0243	4	Screw, Cap - Hex Head (M10 x 30mm)
7			Regulator, Voltage Standard	21	249-0202	4	Washer, Lock - Spring (M10)
	305-0770	1	3 Phase (Used with	22	249-0510	1	Cap, Bearing - Outer
	305-0778	1	3 Phase Sensing Module)	23	249-0447	1	Circlip
			Manual	24	249-0204	8	Screw, Cap - Hex Head (M12 x 40mm)
			Attaching Parts	25	249-0205	8	Washer, Lock - Spring (M12)
	249-0398	4	Pillar, Threaded	26	249-0448	1	Bearing, Ball
8	302-3278	1	Module, 3 Phase Sensing	27	249-0245	4	Screw, Cap - Hex Head (M10 x 50mm)
			Attaching Parts				
	249-0398	4	Pillar, Threaded	28	249-0202	4	Washer, Lock - Spring (M10)
9	249-0395	2	Box	29	249-0509	1	Cap, Bearing - Inner
10	249-0486	1	Module, Overvoltage	30	249-0438	6	Screw, Cap - Hex Head (M6 x 85mm)
			Attaching Parts	31	249-0218	6	Washer, Lock - Spring (M6)
	249-0295	4	Screw, Cap - Hex Head (M5 x 35mm)	32	249-0470	1	Stator, Exciter
			Washer, Plastic (M5)	33	249-0471	1	Bracket, End
	249-0288	4	Nut, Hex - Nylon (M5)	34	NFS	1	Stator, Generator (Includes Terminal Studs and Links)
11	249-0449	1	Switch				Attaching Parts Stator to Adapter
12	249-0569	1	RFI Suppressor Assy				Screw, Cap - Hex Head (M12 x 40mm)
13	302-1851	1	Choke	249-0204	8		Washer, Lock - Spring (M12)
14	354-0031	1	Resistor, Adjustable	249-0205	8		Heater, Elect - Replacement
15			Transformer	249-0621	1		70 Watt, 120 VAC
	249-0504	3	Voltage Sensing (Used on Standard Voltage Gens)	249-0622	1		70 Watt, 240 VAC
			Isolation (Used on Medium Voltage Generators)				
	302-1876	3	Block, Terminal				
16	249-0289	3					

NFS - Not For Sale

Generator
Rotor Section
SAE 0/ SAE 18
Frame 6

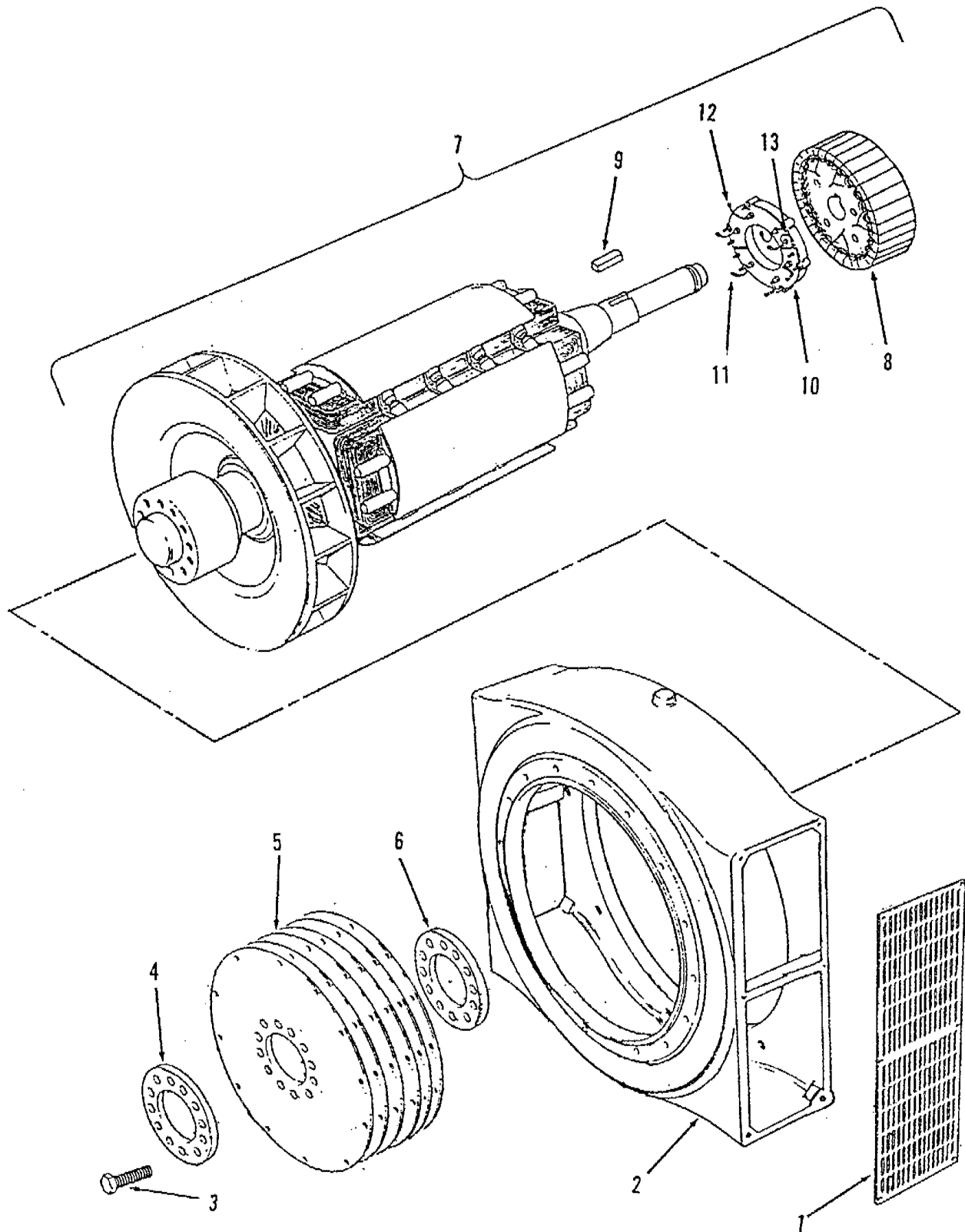


**Generator
Rotor Section
SAE 0/ SAE 18
Frame 6**

REF NO.	PART NO.	QTY USED	PART DESCRIPTION	REF NO.	PART NO.	QTY USED	PART DESCRIPTION
1	249-0534	2	Screen, Air - Adapter	7	NFS	1	Rotor, Generator (Includes
	249-0294	12	Attaching Parts				Exciter, Key, and Rectifier
	249-0307	12	Screw, Cap - Hex Head	8	249-0512	1	Assemblies)
	249-0365	12	(M5 x 12mm)	9	249-0271	1	Rotor, Exciter (Does Not
2	249-0533	1	Washer, Lock - Spring (M5)	10	249-0237	1	Include Rectifier Assy)
3	249-0437	8	Washer, Flat (M5)	11	249-0239	3	Key
			Adapter, Generator SAE 0	12	249-0238	3	Rectifier Assy
			Screw, Cap - Hex Head	13	249-0240	1	(Includes Diodes)
			(M20 x 75mm)				Diode, Forward Polarity
4	249-0230	1	Plate, Pressure				Diode, Reverse Polarity
5	249-0276	6	Disc, Drive SAE 18				Varister
6	249-0277	1	Spacer				

NFS - Not For Sale

Generator
Rotor Section
SAE 0/ SAE 18
Frame 7

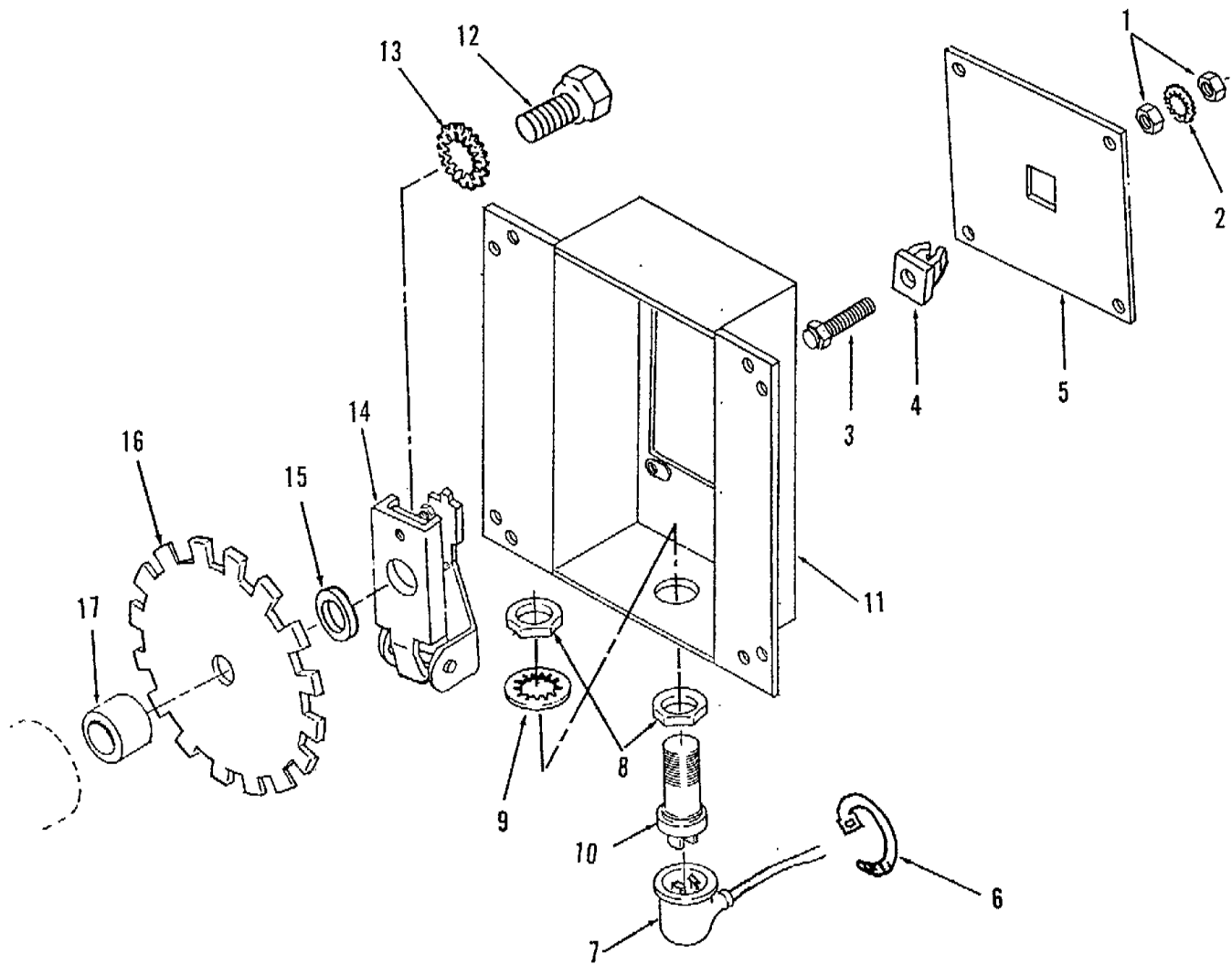


Generator
Rotor Section
SAE 0/ SAE 18
Frame 7

REF NO.	PART NO.	QTY USED	PART DESCRIPTION	REF NO.	PART NO.	QTY USED	PART DESCRIPTION
1	249-0482	2	Screen, Air - Adapter	7	NFS	1	Rotor, Generator (Includes Exciter, Key, and Rectifier Assemblies)
	249-0294	12	Screw, Cap - Hex Head (M5 x 12mm)	8	249-0503	1	Rotor, Exciter (Does Not Include Rectifier Assy)
	249-0307	12	Washer, Lock - Spring (M5)	9	249-xxxx	1	Key
	249-0365	12	Washer, Flat (M5)	10	249-0237	1	Rectifier Assy (Includes Diodes)
2	249-0481	1	Adapter, Generator SAE 0	11	249-0239	3	Diode, Forward Polarity
3	249-0444	8	Screw, Cap - Hex Head (M24 x 75mm)	12	249-0238	3	Diode, Reverse Polarity
4	249-0467	1	Plate, Pressure	13	249-0568	1	Varister
5	249-0469	6	Disc, Drive SAE 18				
6	249-0468	1	Spacer				

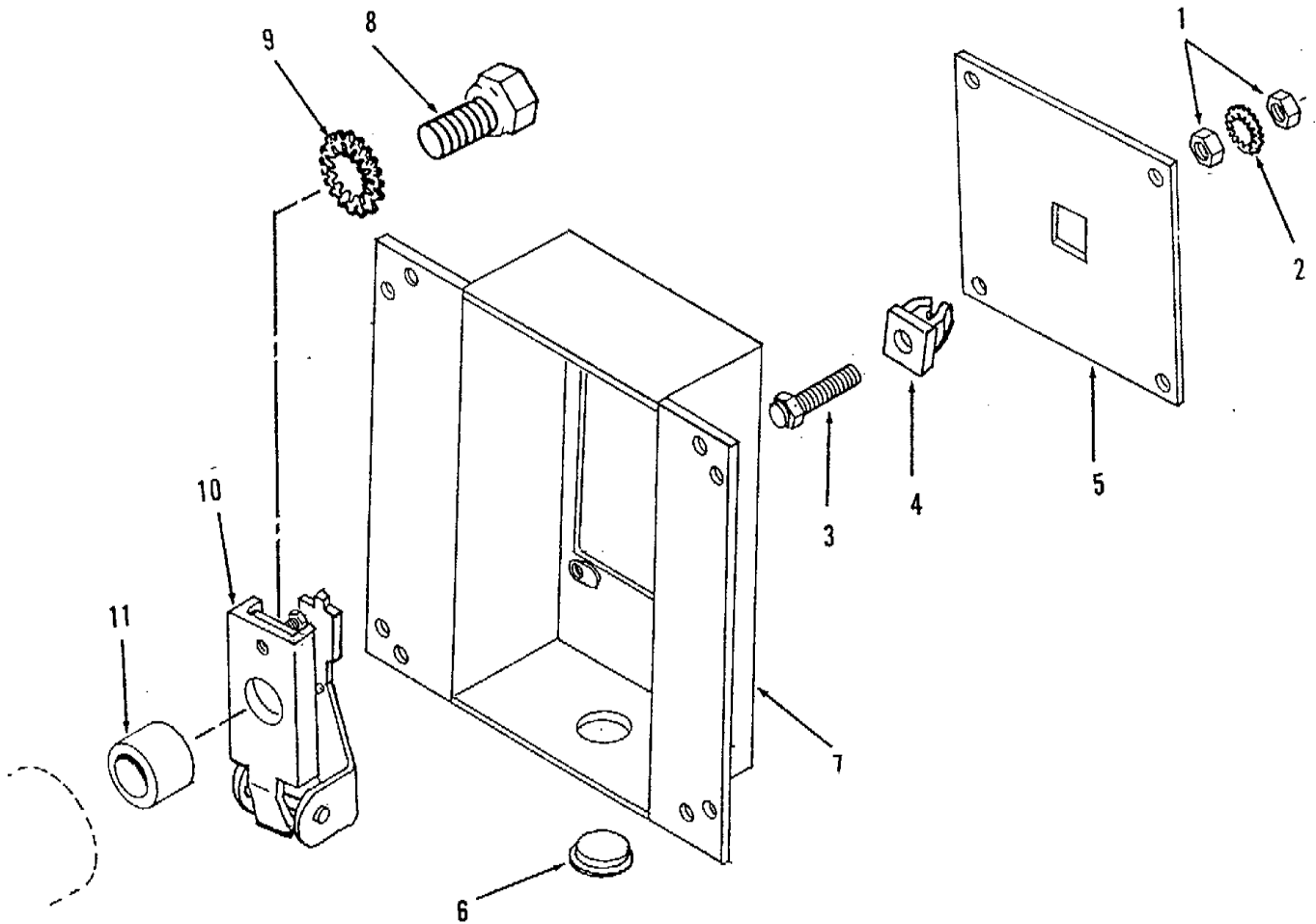
NFS - Not For Sale

Generator Overspeed Sensor



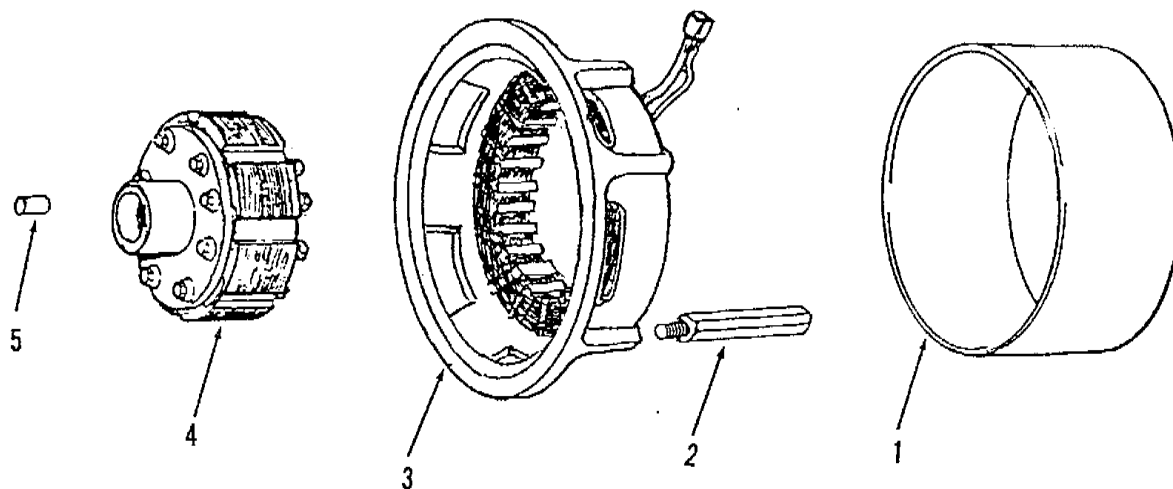
REF NO.	PART NO.	QTY USED	PART DESCRIPTION	REF NO.	PART NO.	QTY USED	PART DESCRIPTION
1	862-0001	2	Nut, Hex (1/4-20)	9	854-0031	1	Washer, Lock - IT (3/4")
2	853-0013	1	Washer, Lock - EIT (1/4")	10	150-1406	1	Sensor, Speed
3	150-0723	1	Point, Overspeed	11	150-2207	1	Cover, Overspeed Switch
4	870-0250	1	Nut, Insulated	12	718-1058	1	Screw, Cap - Hex Head (M10 x 1.5 x 45mm)
5	150-2206	1	Plate, Mounting	13	856-0010	1	Washer, Lock - EIT (3/8")
	821-0005	4	Screw, Self-locking - Hex (#10-32 x 1/2")	14	150-0956	1	Switch, Overspeed
6	332-1445	5	Tie, Cable	15	370-4031	1	Spacer, Sleeve
7	338-2189-02	1	Harness, Wiring	16	150-2204	1	Wheel - Speed Sensor
8	868-0011	2	Nut, Jam - Hex (3/4-16)	17	370-4032	1	Spacer, Sleeve

Generator Overspeed Switch



REF NO.	PART NO.	QTY USED	PART DESCRIPTION	REF NO.	PART NO.	QTY USED	PART DESCRIPTION
1	862-0001	2	Nut, Hex (1/4-20)	6	517-0136	1	Plug, Plastic
2	853-0013	1	Washer, Lock - EIT (1/4")	7	150-2207	1	Cover, Overspeed Switch
3	150-0723	1	Point, Overspeed	8	718-1058	1	Screw, Cap - Hex Head (M10 x 1.5 x 45mm)
4	870-0250	1	Nut, Insulated	9	856-0010	1	Washer, Lock - EIT (3/8")
5	150-2206	1	Plate, Mounting	10	150-0956	1	Switch, Overspeed
	821-0005	4	Screw, Self-locking - Hex (#10-32 x 1/2")	11	370-4032	1	Spacer, Sleeve

Generator Permanent Magnet Exciter



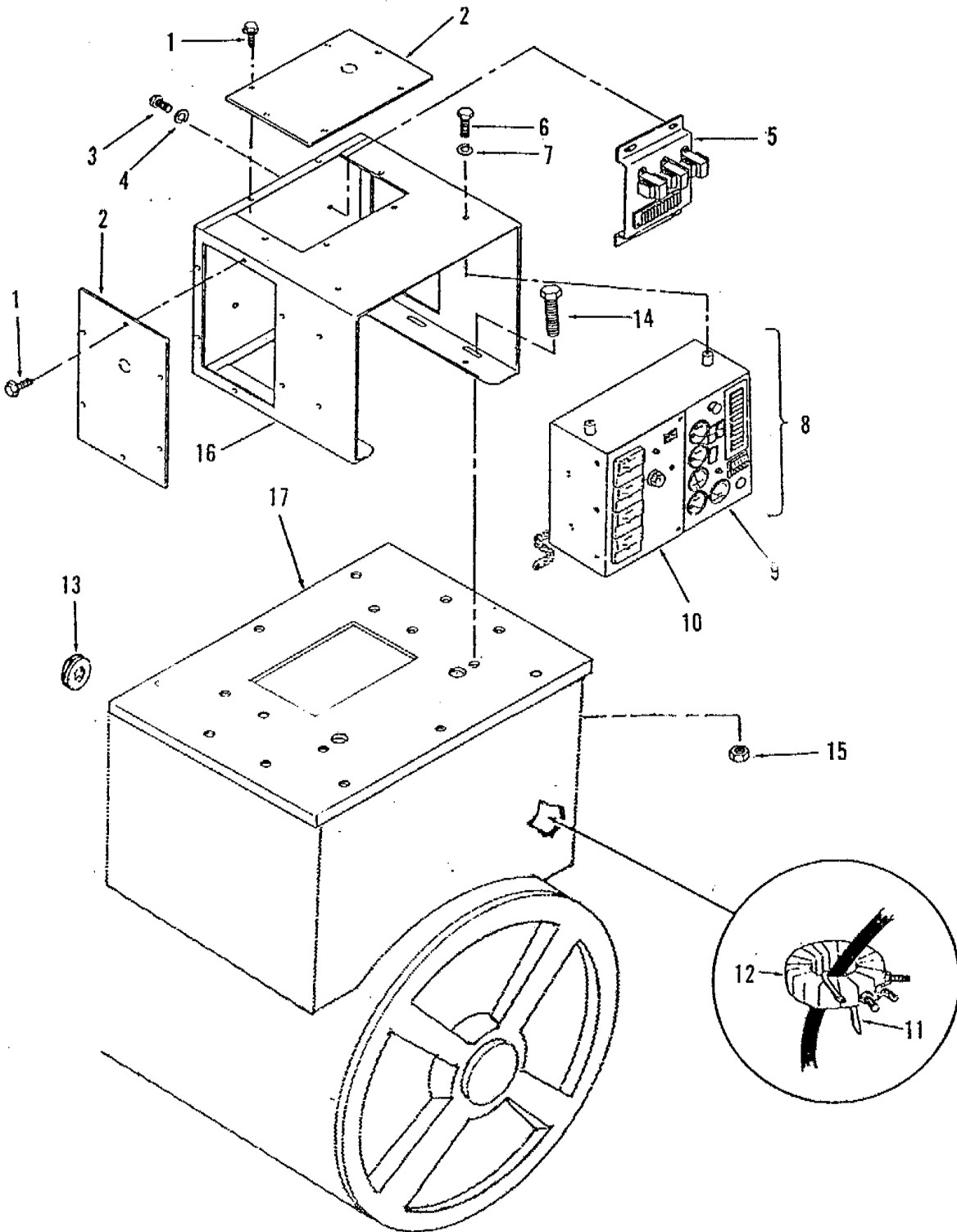
REF NO.	PART NO.	QTY USED	PART DESCRIPTION	REF NO.	PART NO.	QTY USED	PART DESCRIPTION
1	249-0497	1	Cover	4			Rotor, Exciter
	249-0294	3	Attaching Parts for Cover Screw, Cap - Hex Head (M5 x 12mm)	249-0427	1	1	Frame 2, 3, 4 Generators
	249-0307	3	Washer, Lock (M5)	249-0644	1	1	Frame 5, 6, 7 Generators
2	249-0496	3	Pillar, Threaded				Attaching Parts for Rotor
3	249-0426	1	Stator, Exciter with Frame				Bolt - Select as Required
				249-0399	1	1	Frame 2, 3, 4 Generators
				249-0495	1	1	Frame 5, 6, 7 Generators
				249-0202	1	1	Washer, Lock (M10)
				5 249-0313	1	1	Pin, Dowel

TABLE OF CONTENTS

SET CONTROLS

GENERATOR SET CONTROL (WITH HOUSING ENCLOSURE) 53
ENGINE CONTROL COMPONENTS (SETS WITH HOUSING ENCLOSURE) 55
GENERATOR CONTROL COMPONENTS (SETS WITH HOUSING ENCLOSURE).. 57
CONTROL HEATER (SETS WITH HOUSING ENCLOSURE) 58
POTENTIAL TRANSFORMER (SETS WITH HOUSING ENCLOSURE 59
WATTMETER (SETS WITH HOUSING ENCLOSURE) 61
GENERATOR SET CONTROL (WITHOUT HOUSING ENCLOSURE)..... 63
ENGINE CONTROL COMPONENTS (SETS WITHOUT HOUSING ENCLOSURE).. 65
GENERATOR CONTROL COMPONENTS(SETS WITHOUT HOUSING ENCLOSURE) 67

Generator Set Control (With Housing Enclosure)

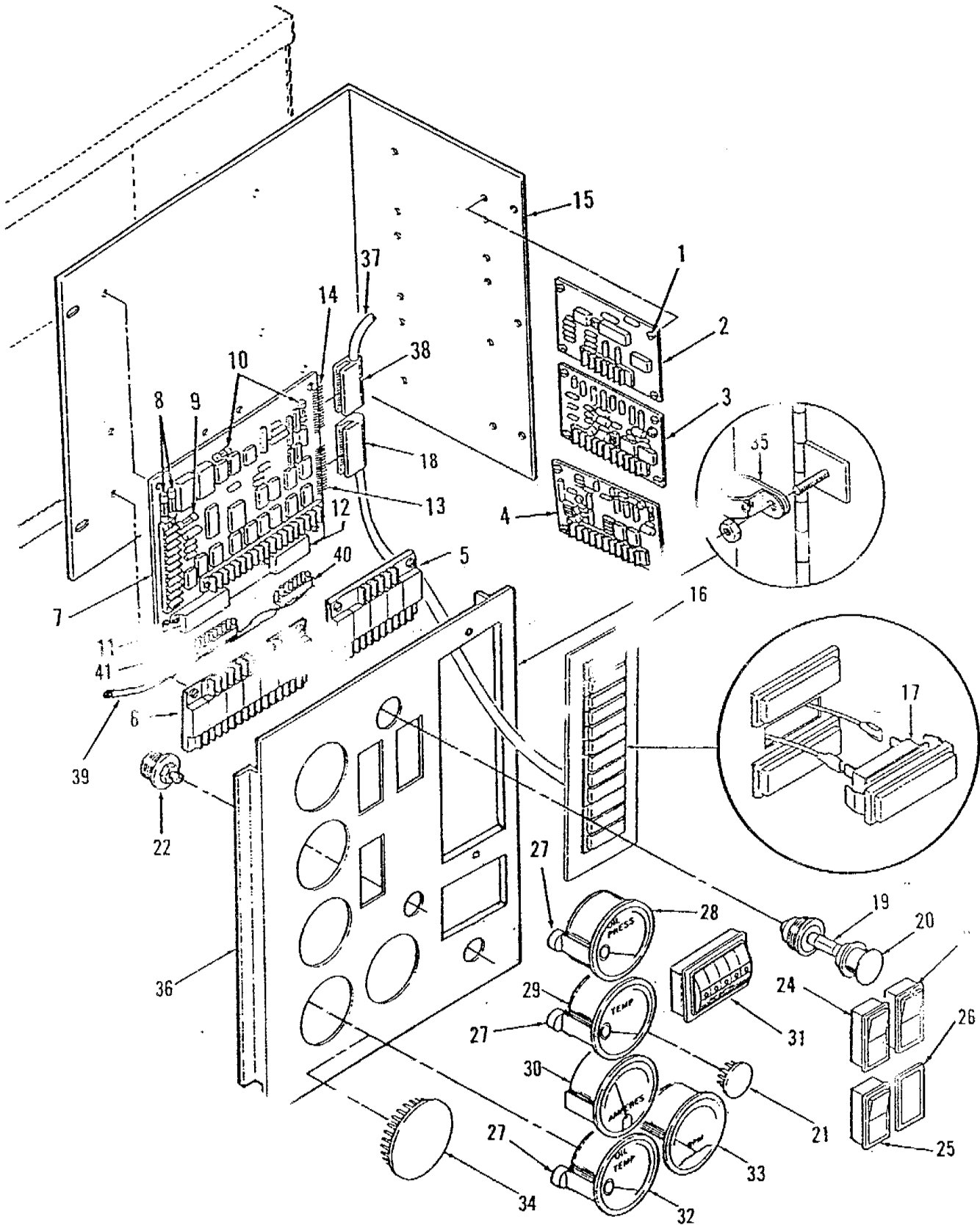


**Generator Set Control
(With Housing Enclosure)**

REF NO.	PART NO.	QTY USED	PART DESCRIPTION	REF NO.	PART NO.	QTY USED	PART DESCRIPTION
1	821-0005	18	Screw, Self-locking - Hex (#10-32 x 1/2")	12			Transformer, Current - Reconnectible
2	NFS	3	Panel, Box - Control	302-1794-11	3		750/1500:5 Ratio; 1000kW & 1200kW Voltage Code H.
3	812-0156	4	Screw, Machine - Round Head (1/4-20 x 1/2")	302-1794-14	3		2000/4000:5 Ratio; 900kW Voltage Code Y, 1100kW Voltage Code Y 208VAC Only, 1000kW Voltage Code K.
4	850-0040	4	Washer, lock - Spring (1/4")	302-1785-05	3		2500:5 Ratio; 100kW Voltage Code Y 380 & 480 VAC Only, 1200kW Voltage Code K 380 & 480 VAC Only.
5	NFS	1	Transformer Assy, Potential (See Separate Page for Components)				NOTE: No CT Available for 1200Kw Voltage Code K 208VAC!
6	800-0051	4	Screw, Cap - Hex Head (5/16-18 x 1/2")	13	508-0051	1	Grommet
7	850-0045	4	Washer, Lock - Spring (5/16")	14	870-0212	6	Nut, Self-locking - Hex
8	NFS	1	Control, Set (See item 9 & 10 for Components)	15	821-0018	6	Screw, Self-locking - Hex Head (1/4-20 x 5/8")
9	NFS	1	Control, Engine (See Separate Page for Components)	16	NFS	1	Housing, Control
10	NFS	1	Control, Generator (See Separate Page for Components)	17	NFS		Adapter, Housing to Terminal Box
11	332-0941	6	Tie, Cable				

NFS - Not For Sale

Engine Control Components
(Sets with Housing Enclosure)

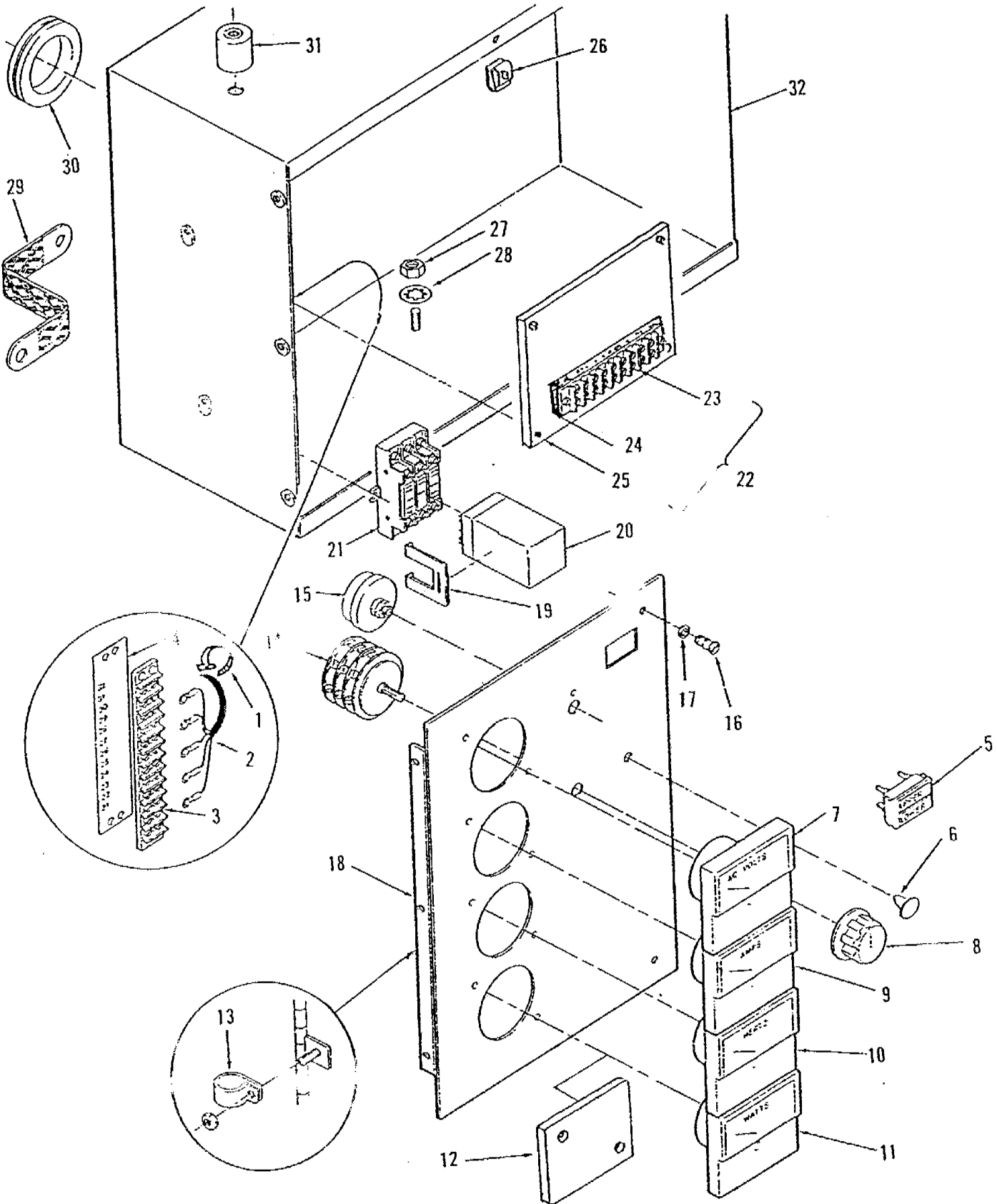


Engine Control Components (Sets with Housing Enclosure)

REF NO.	PART NO.	QTY USED	PART DESCRIPTION	REF NO.	PART NO.	QTY USED	PART DESCRIPTION
1	815-0544	24	Screw, Machine - Round Head With IT Lock Washer (#6-32 x 1/2")	17	322-0369-02	12	Lamp, Incandescent - 1/3 Watt 28 VDC
2	300-2899	1	Board, Time Delay, Start/Stop - 24 VDC (A15)	18	323-1310	1	Housing, 13 Pin (J3)
3			Board, Magnetic Sensor, Start Disconnect/Over Speed Sensor (A16)	19	322-0017	1	Contact, Pin
	300-2903	1	Standard	20	322-0361	1	Lamp, Incandescent - 28 VDC (DS11)
	300-2904	1	Precision	21	517-0131	1	Holder, Lamp
4	300-2906	1	Board, Over-Under Voltage Sensor - 24 VDC (A17)	22	303-0280	1	Plug, Button
5	300-2856	1	Board, Relay - 24 VDC (A13)	23	308-0785	1	Potentiometer (R11)
6	300-2863	1	Board, Relay - 24 VDC (A14)	24	308-0784	1	Switch, Push (S11)
7			Board, Engine Monitor (A11) (Includes Fuses and Connectors)	25	301-6257	1	Switch, Push (S12)
	300-2808	1	24 VDC, 2 Light	26	301-6257	1	Cover
	300-2812	1	24 VDC, 12 Light	27	193-0250	3	Resistor, Gauge (R12)
8	321-0270	2	Fuse, Cartridge - 20 Amp (F1, F2)	28	193-0352	1	Gauge, Pressure - Oil (M11)
9	321-0231	1	Fuse, Cartridge - 15 Amp (F3)	29	193-0351	1	Gauge, Temperature - Water (M12)
10	321-0094	2	Fuse, Cartridge - 5 Amp (F4, F5)	30	302-1790	1	Ammeter (M13)
11	323-1305	1	Connector, 8 Pin (P1)	31	302-0885	1	Meter, Totalizing - Time (M14)
12	323-1303	1	Connector, 6 Pin (P2)		815-0385	2	Screw, Machine - Round Head (#6-31 x 1/2")
13	323-1309	1	Connector, 13 Pin (P3)		870-0183	2	Nut, Hex with ET Lockwasher (#6-32)
14	323-1307	1	Connector, 12 Pin (P4)	32	193-0330	1	Gauge, Temperature - Oil (M15)
15	NFS	1	Bracket, Mounting [301-8851]	33	302-1873-01	1	Tachometer (M16)
	821-0004	4	Screw, Self-locking - Hex Hd (#10-32 x 5/16")	34	517-0221	1	Plug, Button
16			Module, Indicator - Fault (Includes replaceable lamps, Harness with connector housing & contact pins)(A12)	35	332-0052	1	Clamp, Loop
	322-0358-02	1	24 VDC, 2 Light		870-0131	1	Nut, Hex with ET Lockwasher (#10-32 x 1/2")
	322-0360-02	1	24 VDC, 12 Light	36	NFS		Door, Control [301-9055-01]
	815-0385	2	Screw, Machine - Round Head (#6-32 x 1/2")	37	338-1817	1	Harness, Wiring - DC Meter (Includes Connector & Pins)
	870-0183	2	Nut, Self-locking - Hex (#6-32)	38	323-1308	1	Housing, 12 Pin (J4)
				39	323-1302	12	Contact, Pin
					338-2294	1	Harness, Wiring - Control to Engine (Includes Connectors and Pins)
				40	323-1304	1	Housing, 6 Pin
					323-1200	6	Contact, Pin
				41	323-1306	1	Housing, 8 Pin
					323-1200	8	Contact, Pin

NFS - Not For Sale

Generator Control Components (Sets with Housing Enclosure)

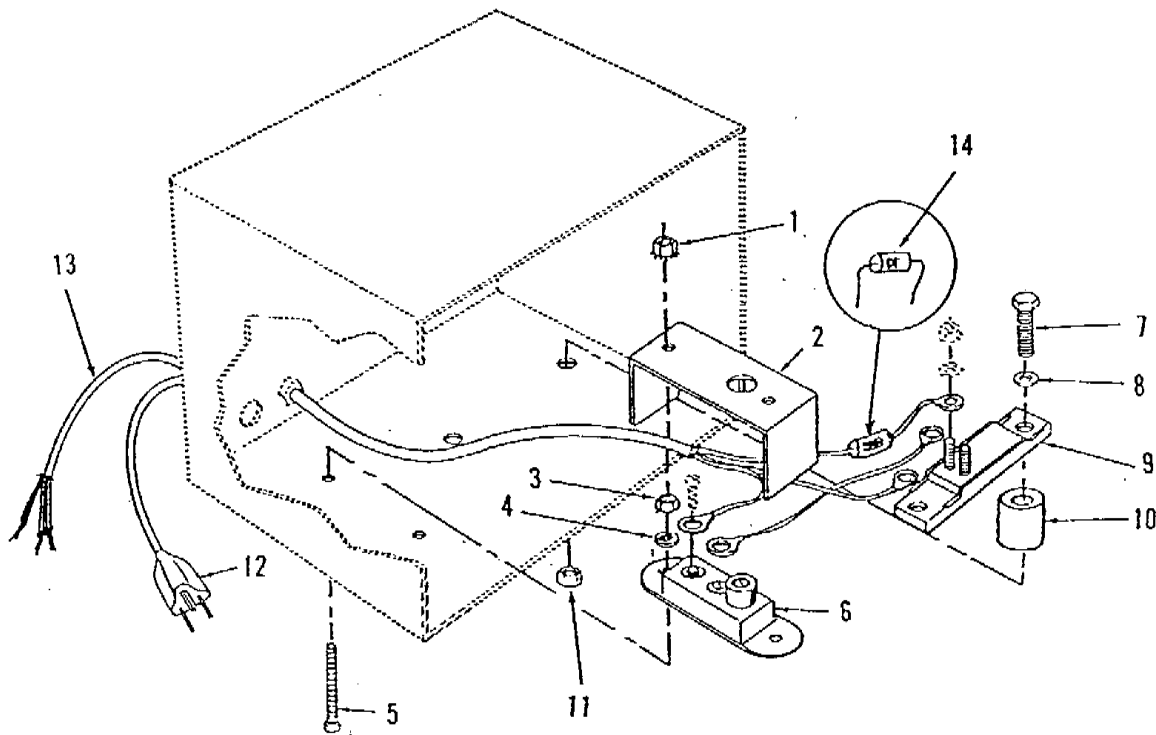


**Generator Control Components
(Sets with Housing Enclosure)**

REF. NO.	PART NO.	QTY USED	PART DESCRIPTION	REF. NO.	PART NO.	QTY USED	PART DESCRIPTION
1	332-1445	2	Tie, Cable	12	NFS	1	Cover, Meter Hole
2			Harness, Wiring		815-0385	2	Screw, Machine - Round Head, Black (#6-32 x 1/2")
	338-1818	1	Control with Meters (Includes Terminal Block)		870-0183	2	Nut, Hex with ET Lockwasher (#6-32)
	338-1853	1	Control without Meters	13	332-0052	1	Clamp, Loop
	812-0065	2	Screw, Machine - Round Head (#6-32 x 5/8")		870-0131	1	Nut, Self-locking - Hex with ET Lock Washer (#10-32)
3	332-0607	1	Block, Terminal (TB1)	14	308-0284	1	Switch, Rotary (S21)
4	332-2723	1	Strip, Marker	15	303-0261	1	Rheostat (R21)
5	322-0363	1	Light, Indicator - Dual (DS21, DS22)	16	406-0334	2	Clip, Fastener
6	517-0131	1	Plug, Button	17	406-0333	2	Stud, Fastener
7			Voltmeter (M21)	18	NFS	1	Door, Control
	302-1148	1	Dual Scale 0-300/0-600V		821-0004	3	Screw, Self-locking - Hex (#10-32 x 5/16")
	302-1753	1	Single Scale 0-750V	19	307-1987	2	Clip, Relay
8	303-0032	1	Knob	20	307-1056	1	Relay, 24 VDC (K21)
9			Ammeter (M22)	21	323-0804	1	Socket, Relay
			Single Scale Voltage Code H 1000kW & 1200kW, 0-1500Amp		815-0544	2	Screw, Machine - Round Head with IT Lock Washer (#6-32 x 1/2")
	302-1734	1	Dual Scale Voltage Code Y 900kW, 0-1500/0-3000 Amp, 480 VAC Only.	22	NFS	1	Terminal Board Assembly
	302-1799	1	900kW, 0-2000/0-4000 Amp, 208 & 380 VAC, 1100kW 208 VAC Only.		812-0065	4	Screw, Machine - Round Head (#6-32 x 5/8")
	302-1800	1	Single Scale Voltage Code Y 1100kW, 0-2500 Amp, 380 & 480 VAC Only.	23	332-0751	1	Block, Terminal
	302-1736	1	Dual Scale Voltage Code K 1000kW, 0-2000/0-4000 Amp, 208 & 380 VAC Only.		812-0066	2	Screw, Machine - Round Head (#6-32 x 3/4")
			Single Scale Voltage Code K 1200kW, 0-2500 Amp, 380 & 480 VAC Only.	24	332-0853	1	Strip, Marker
	302-1800	1	NOTE: No Ammeter for 1200kW, 208 VAC.	25	NFS	1	Plate
			Meter, Frequency (M23)	26	406-0332	2	Receptacle, Fastener
10	302-1720	1	Wattmeter (M24) (See Separate page for Components)	27	871-0015	1	Nut, Hex (1/4-20)
11		1		28	853-0013	1	Washer, Lock - ET (1/4")
				29	337-0049	1	Strap, Electrical (Ground)
					800-0024	1	Screw, Cap - Hex Head (5/16-18 x 1/2")
					856-0008	1	Washer, Lock - EIT (5/16")
				30	508-0051	1	Grommet
				31	402-0527	2	Mount, Vibration
					800-0051	4	Screw, Cap - Hex Head (5/16-18 x 1/2")
					850-0045	4	Washer, Lock - Spring (5/16")
				32	NFS	1	Box, Control

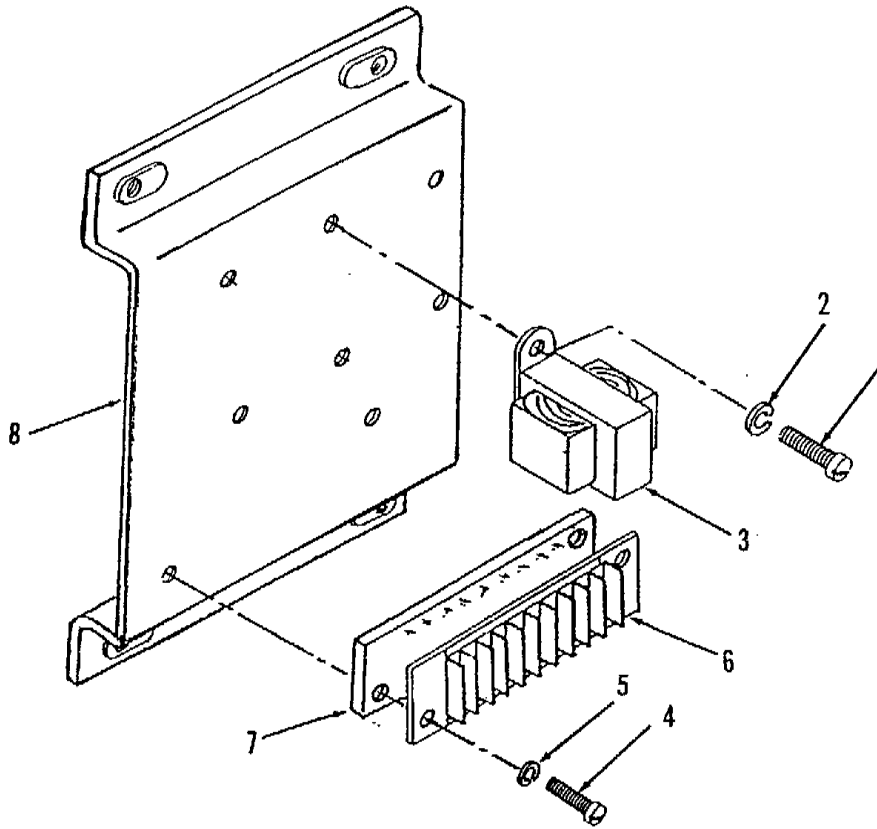
NFS - Not For Sale

Control Heater



REF NO.	PART NO.	QTY USED	PART DESCRIPTION	REF NO.	PART NO.	QTY USED	PART DESCRIPTION
1	870-0183	2	Nut, Self-locking - Hex (#6-32)	9	333-0151	1	Heater, Electrical 120VAC
2	301-1886	1	Cover		333-0378	1	240VAC
3	860-0006	1	Nut, Hex (#6-32)	10	130-1107	2	Spacer
4	854-0006	2	Washer, Lock - IT (#6)	11	870-0257	2	Nut, Self-locking - Hex (5/16-18)
5	812-0070	2	Screw, Machine - Round Head (#6-32 x 1-1/4")	12	335-0161	1	Cable, Electrical (120VAC Application)
6	309-0128	1	Thermostat, Adjustable	13	338-2121	1	Harness Wiring with Diode, less plug (240VAC Application)
7	800-0034	2	Screw, Cap - Hex Head (5/16-18 x 2-1/4")	14	357-0013	1	Diode
8	526-0113	2	Washer, Flat (5/16")	15	98-3232	1	Decal, Warning - Shock Hazard (Not Illustrated)

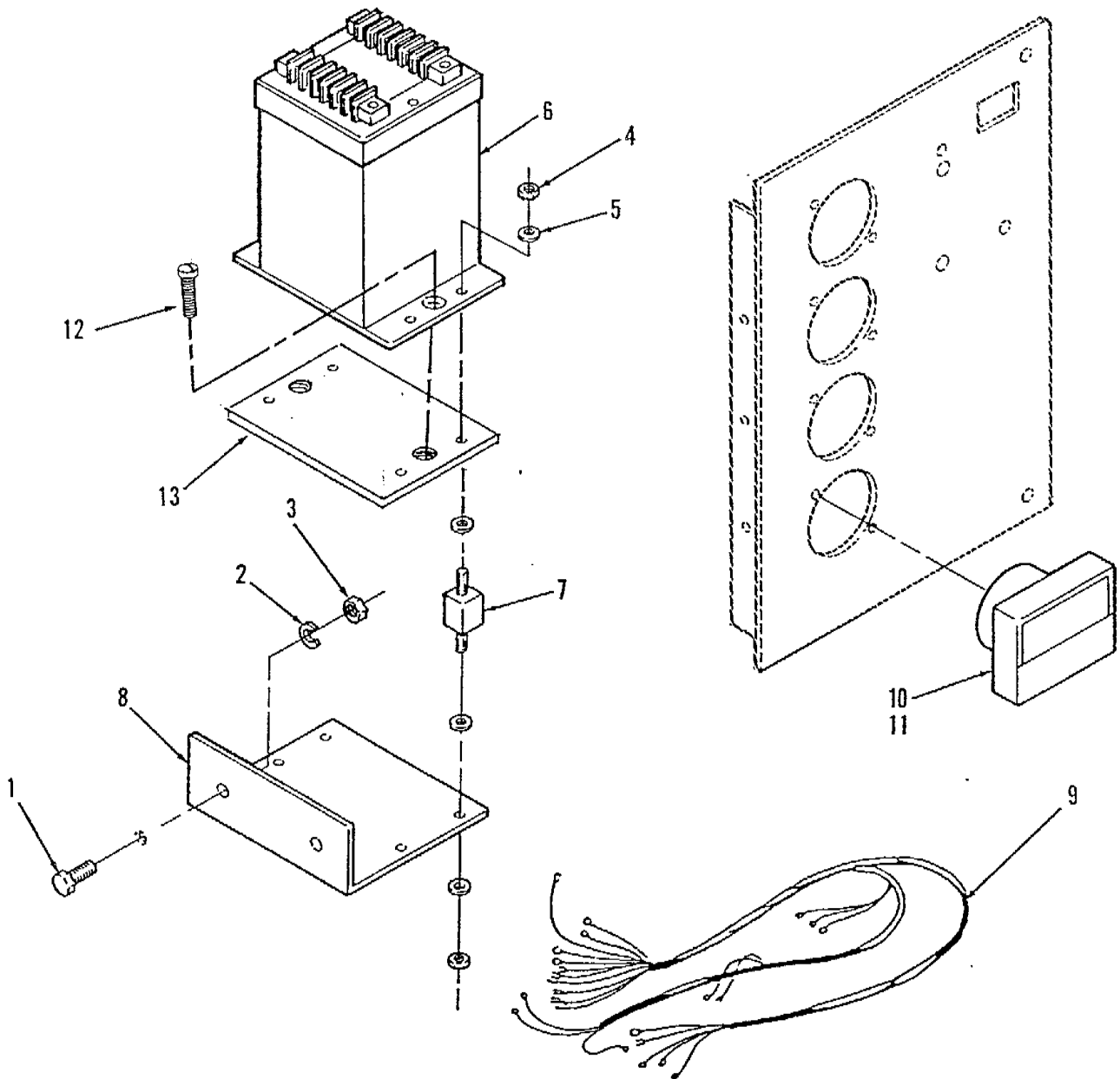
Potential Transformer



REF NO.	PART NO.	QTY USED	PART DESCRIPTION	REF NO.	PART NO.	QTY USED	PART DESCRIPTION
1	812-0079	6	Screw, Machine - Round Head (#8-32 x 1/2")	5	850-0025	2	Washer, Lock - Spring (#8)
2	850-0025	6	Washer, Lock - Spring (#8)	6	332-2562	1	Block, Terminal (10 Place)
3	315-0642	3	Transformer, Potential	7	332-2563	1	Strip, Marker
4	812-0077	2	Screw, Machine - Round Head (#8-32 x 3/8")	8	NFS	1	Bracket, Mounting

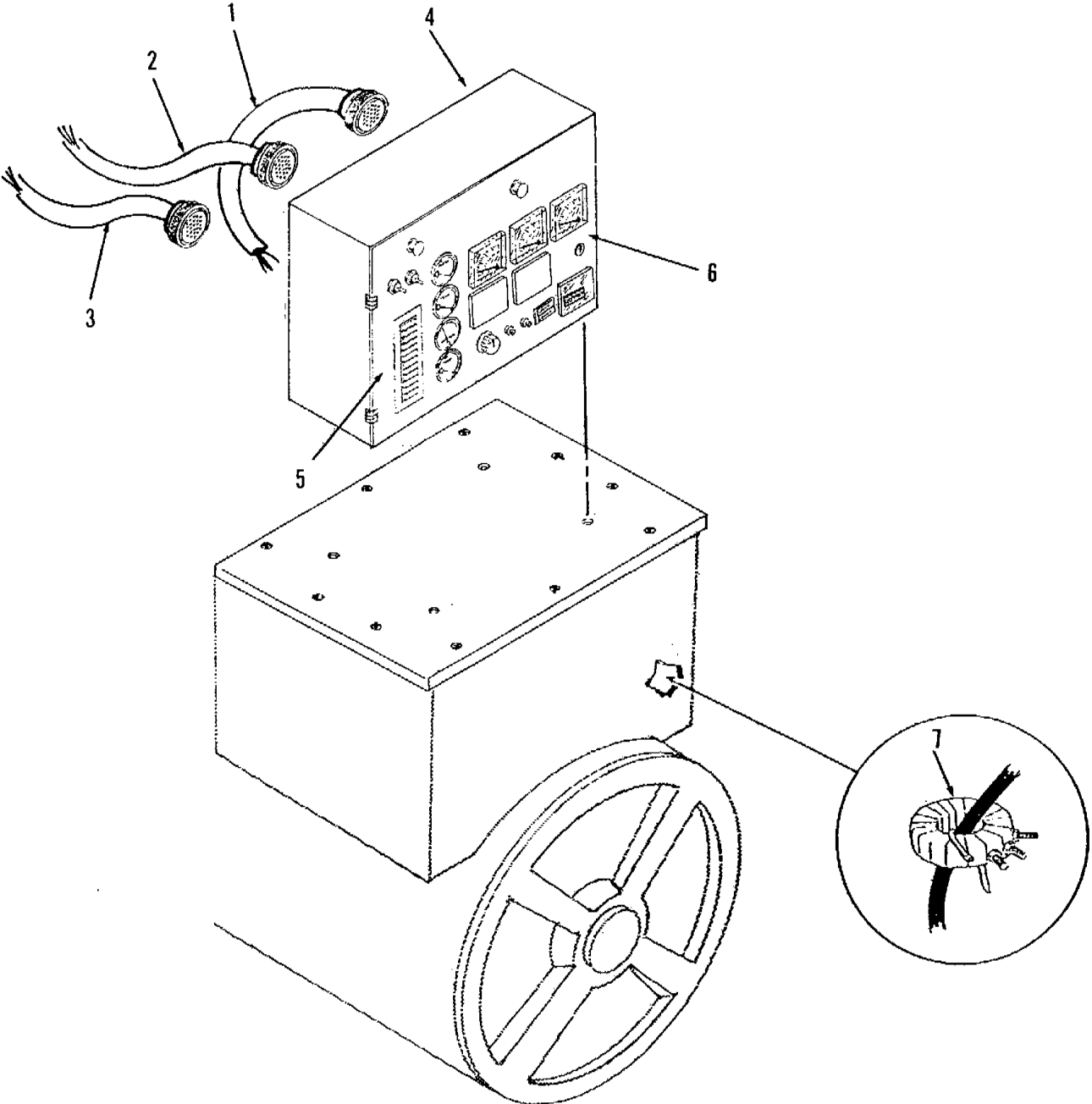
NFS - Not For Sale

**Wattmeter
(Sets with Housing Enclosure)**



REF NO.	PART NO.	QTY USED	PART DESCRIPTION	REF NO.	PART NO.	QTY USED	PART DESCRIPTION
1	821-0017	2	Screw, Cap - Hex Head (5/16-18 x 1/2")	8	301-6987	1	Bracket, Mounting
2	850-0045	2	Washer, Lock (5/16)	9	338-1936	1	Harness, Wiring
3	862-0014	2	Nut, Hex (5/16-18)	10	302-1722	1	Wattmeter (Less Dial)
4	860-0008	8	Nut, Hex (#8-32)	11	302-1721-17	1	Dial, Wattmeter Scale 0-1200 kW
5	856-0002	16	Washer, Lock - ET (#8)	12	813-0102	2	Screw, Machine - Round Head (#10-32 x 3/8")
6	302-1833-01	1	Transducer, Watt	13	319-0030	1	Plate, Support - Transducer
7	402-0354	4	Mount, Shock				

Generator Set Control
(Without Housing Enclosure)

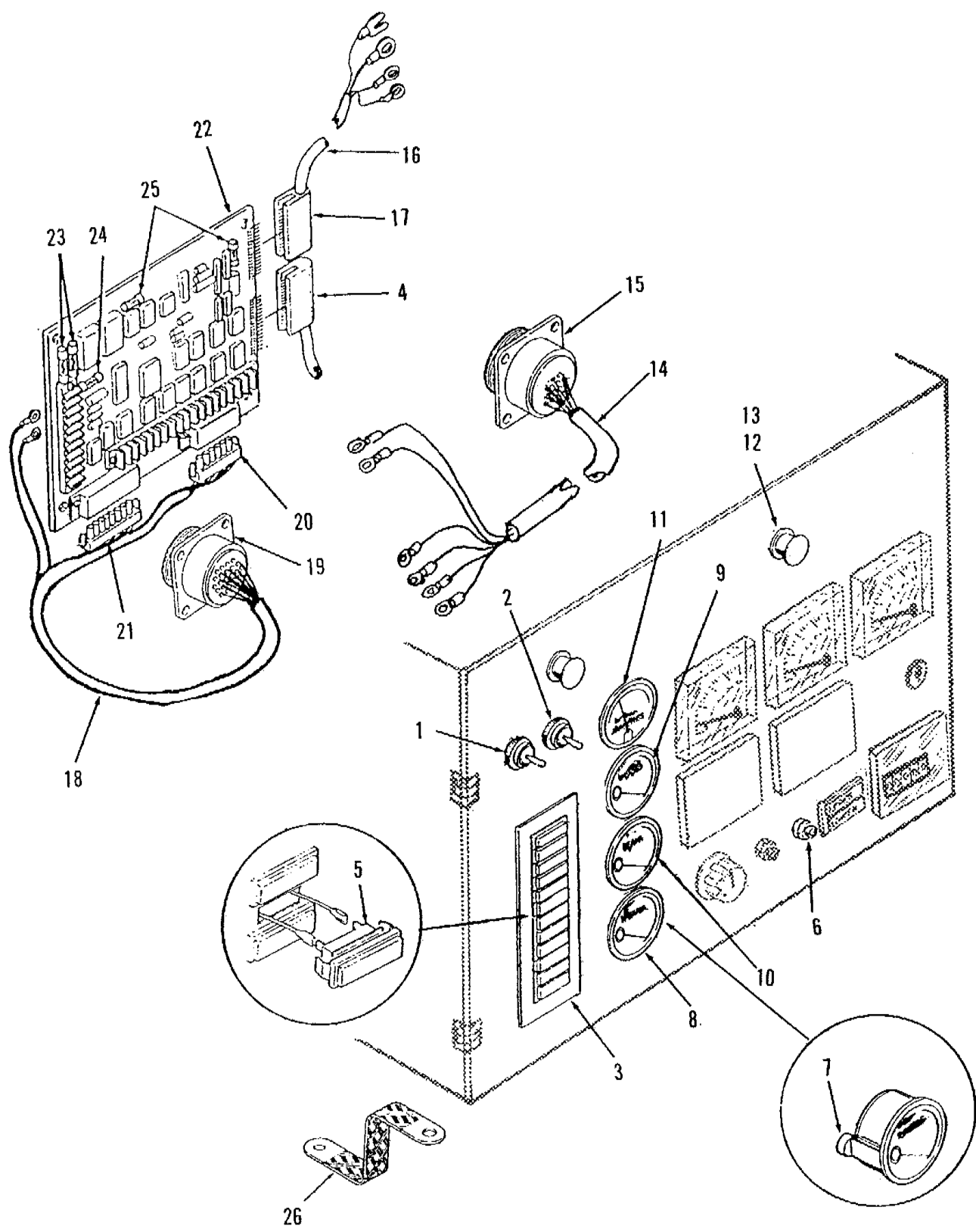


**Generator Set Control
(Without Housing Enclosure)**

REF NO.	PART NO.	QTY USED	PART DESCRIPTION	REF NO.	PART NO.	QTY USED	PART DESCRIPTION
1	338-2200-01	1	Harness, Wiring - Control to Generator (Includes a connector Housing)	7			Transformer, Current (Select As Applicable)
	323-1135	1	Housing, Connector (J21)		302-1785-01	3	1200:5 Ratio
	323-1193	4	Contact, Pin		302-1785-02	3	1500:5 Ratio
	323-1194	10	Contact, Pin		302-1785-03	3	1600:5 Ratio
2	338-2199-01	1	Harness, Wiring - Control to Governor (Includes a connector housing)		302-1785-04	3	2000:5 Ratio
	323-1135	1	Housing, Connector (J12)		302-1785-05	3	2500:5 Ratio
	323-1193	4	Contact, Pin		302-1785-06	3	2000:5 Ratio (380V Only)
	323-1194	10	Contact, Pin		302-1785-07	3	3000:5 Ratio
3	338-2194-01	1	Harness, Wiring - Control to Engine Components (Includes a connector housing)		302-1785-08	3	4000:5 Ratio
	323-1206	1	Housing, Connector (J11)		302-1785-09	3	5000:5 Ratio
	323-1194	20	Contact, Pin		302-1786-01	3	500/1000:5 Ratio
4	NFS	1	Control, Set (See item 5 & 6 for Components)		302-1786-02	3	600/1200:5 Ratio
			Attaching Parts for Control		302-1786-03	3	750/1500:5 Ratio
	402-0527	4	Mount, Vibration		302-1786-04	3	800/1600:5 Ratio
	800-0051	8	Screw, Cap - Hex Head (5/16-18 x 1/2")		302-1786-05	3	900/1800:5 Ratio
	850-0045	8	Washer, Lock - Spring (5/16")		302-1786-06	3	1000/2000:5 Ratio
5	NFS	1	Control, Engine (See Separate Page for Components)		302-1786-07	3	1200/2400:5 Ratio
6	NFS	1	Control, Generator (See Separate Page for Components)		302-1786-08	3	250/500:5 Ratio
					302-1786-09	3	300/600:5 Ratio
					302-1786-10	3	400/800:5 Ratio
					302-1786-11	3	375/750:5 Ratio
					302-1786-12	3	75/150:5 Ratio
					302-1786-13	3	100/200:5 Ratio
					302-1786-14	3	150/300:5 Ratio
					302-1786-15	3	200/400:5 Ratio
					302-1786-16	3	1500/3000:5 Ratio

NFS - Not For Sale

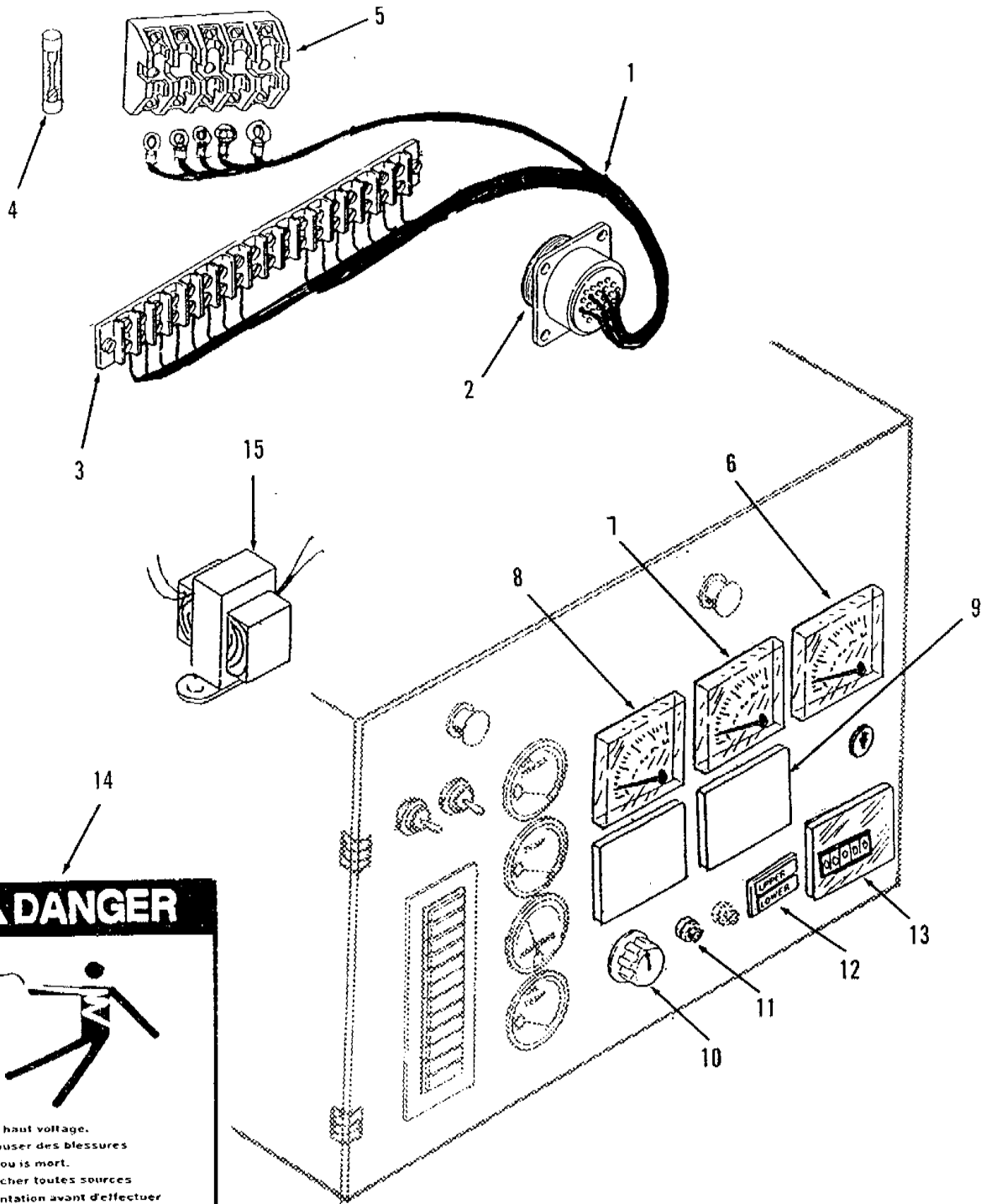
Engine Control Components (Sets with Housing Enclosure)




**Engine Control Components
(Sets with Housing Enclosure)**

REF NO.	PART NO.	QTY USED	PART DESCRIPTION	REF NO.	PART NO.	QTY USED	PART DESCRIPTION
1	308-0625	1	Switch, Push (S12) [Run/Stop/Remote]	15	323-1134	1	Housing, Connector (P12)
2	308-0900	1	Switch, Push (S11) [Reset/Panel Light]		323-1192	4	Contact, Socket
3			Module, Indicator - Fault (Includes Harness with a Connector Housing & Contact Pins, Replaceable Lamps)		323-1195	10	Contact, Socket
	322-0358-02	1	24 VDC, 2 Light		323-1190	2	Key
	322-0360-02	1	24 VDC, 12 Light	16	338-1817	1	Harness, Wiring - Engine Monitor Board to Meters (Includes Connector Housing)
	815-0385	2	Attaching Parts for Module Screw, Machine - Round Head (#6-32 x 1/2")	17	323-1308	1	Housing, Connector (J4)
	870-0183	2	Nut, Self-Locking - Hex (#6-32)		323-1302	15	Contact, Pin
4	323-1310	1	Housing, Connector (J3)	18			Harness, Wiring - Engine to Engine Monitor Board (Includes Connector Housings, Terminals and Contacts)
	323-1302	13	Contact, Pin		338-2244-01	1	Control with 2 Light Module
5	322-0369-02	1	Lamp, Incandescent - 1/3 Watt 28 VDC		338-2422-01	1	Control with 12 Light Module
6	303-0289	1	Rheostat - Speed Control (R23)	19	323-1207	1	Housing, Connector (P11)
7	193-0250	3	Resistor, Gauge (R11,R12,R15)		323-1195	22	Contact, Socket
8	193-0330	1	Gauge, Temperature - Oil, 12 VDC (M15) or		323-1190	1	Key
	302-1715	1	Tachometer (M16) or	20	323-1304	1	Housing, Connector (J2)
	302-1723	1	Gauge, Blank		323-1200	6	Contact, Pin
9	193-0351	1	Gauge, Temperature - Water, 12 VDC (M12)	21	323-1306	1	Housing, Connector (J1)
10	193-0352	1	Gauge, Pressure - Oil, 12 VDC (M11)		323-1200	8	Contact, Pin
11	302-1790	1	Ammeter (M13)	22			Board, Engine Monitor (A11) (Includes Fuses)
12	322-0017	1	Lamp, Incandescent - 28 VDC (DS10,DS11)		300-2808	1	24 VDC, 2 Light
13	322-0361	2	Holder, Lamp		300-2812	1	24 VDC, 12 Light
14			Harness, Wiring - Governor to Speed Control & Tachometer (Includes Connector Housing)	23	321-0270	2	Fuse, Cartridge - 20 Amp (F1, F2)
	338-2245-01	1	Control with 2 Light Module	24	321-0231	1	Fuse, Cartridge - 15 Amp (F3)
	338-2243-01	1	Control with 12 Light Module	25	321-0094	2	Fuse, Cartridge - 5 Amp (F4, F5)
					815-0544	4	Attaching Parts for Module Screw, Machine - Round Head With IT Lock Washer (#6-32 x 1/2")
				26	337-0049	1	Strap, Electrical - Ground

Generator Control Components (Sets without Housing Enclosure)



⚠ DANGER



Danger haut voltage.
 Peut causer des blessures graves ou is mort.
 Debrancher toutes sources d'alimentation avant d'effectuer des reparations.

Hazardous voltage.
 Will cause severe injury or death.
 Disconnect all electrical supply sources before servicing.

**Generator Control Components
(Sets without Housing Enclosure)**

REF NO.	PART NO.	QTY USED	PART DESCRIPTION	REF NO.	PART NO.	QTY USED	PART DESCRIPTION
1			Harness, Wiring (Includes Connector and Terminal Strip)	302-1839-09		1	0-300/0-600 Amp
	338-2240-01	1	Sets with 12 Lead Generator	302-1839-10		1	0-400/0-800 Amp
	338-2241-01	1	Sets with 6 Lead Generator	302-1839-11		1	0-375/0-750 Amp
2	323-1134	1	Housing, Connector (P21)	302-1839-12		1	0-75/0-150 Amp
	323-1192	4	Contact, Socket	302-1839-13		1	0-100/0-200 Amp
	323-1195	10	Contact, Socket	302-1839-14		1	0-150/0-300 Amp
	323-1190	1	Key	302-1839-15		1	0-200/0-400 Amp
3		1	Terminal, Strip (18 Place)	302-1839-16		1	0-1500/0-3000 Amp
4	321-0293	5	Fuse F1 thru F5	302-1839-17		1	0-2000/0-4000 Amp
5	321-0294	1	Holder, Fuse	302-1840-01		1	0-1200 Amp
6	302-1842	1	Meter, Frequency (M23)	302-1840-02		1	0-1500 Amp
7	302-1841-03	1	Voltmeter (M21)	302-1840-03		1	0-1600 Amp
8			Ammeter (M22)	302-1840-04		1	0-2000 Amp
			Dual Scale	302-1840-05		1	0-2500 Amp
	302-1839-01	1	0-500/0-1000 Amp	302-1840-07		1	0-3000 Amp
	302-1839-02	1	0-600/0-1200 Amp	302-1840-08		1	0-4000 Amp
	302-1839-03	1	0-750/0-1500 Amp	302-1840-09		1	0-5000 Amp
	302-1839-04	1	0-800/0-1600 Amp	9	302-1849	2	Meter, Blank
	302-1839-05	1	0-900/0-1800 Amp	10	308-0883	1	Switch, Rotary (S21)
	302-1839-06	1	0-1000/0-2000 Amp	11	303-0287	1	Rheostat (R21)
	302-1839-07	1	0-1200/0-2400 Amp	12	322-0363	1	Light, Indicator - Dual (DS21, DS22)
	302-1839-08	1	0-250/0-500 Amp	13	302-1850	1	Meter, Time Totalizing (M14)
				14	98-5724	2	Decal (Warning)
				15	315-0664	3	Transformer, Potential (T21 - T23)

-cont-

