



Parts Manual

Our energy working for you.™



Generator Set with 4ISBeG1 with PCC1301 Control

**C100 D2R
C100 D5R**

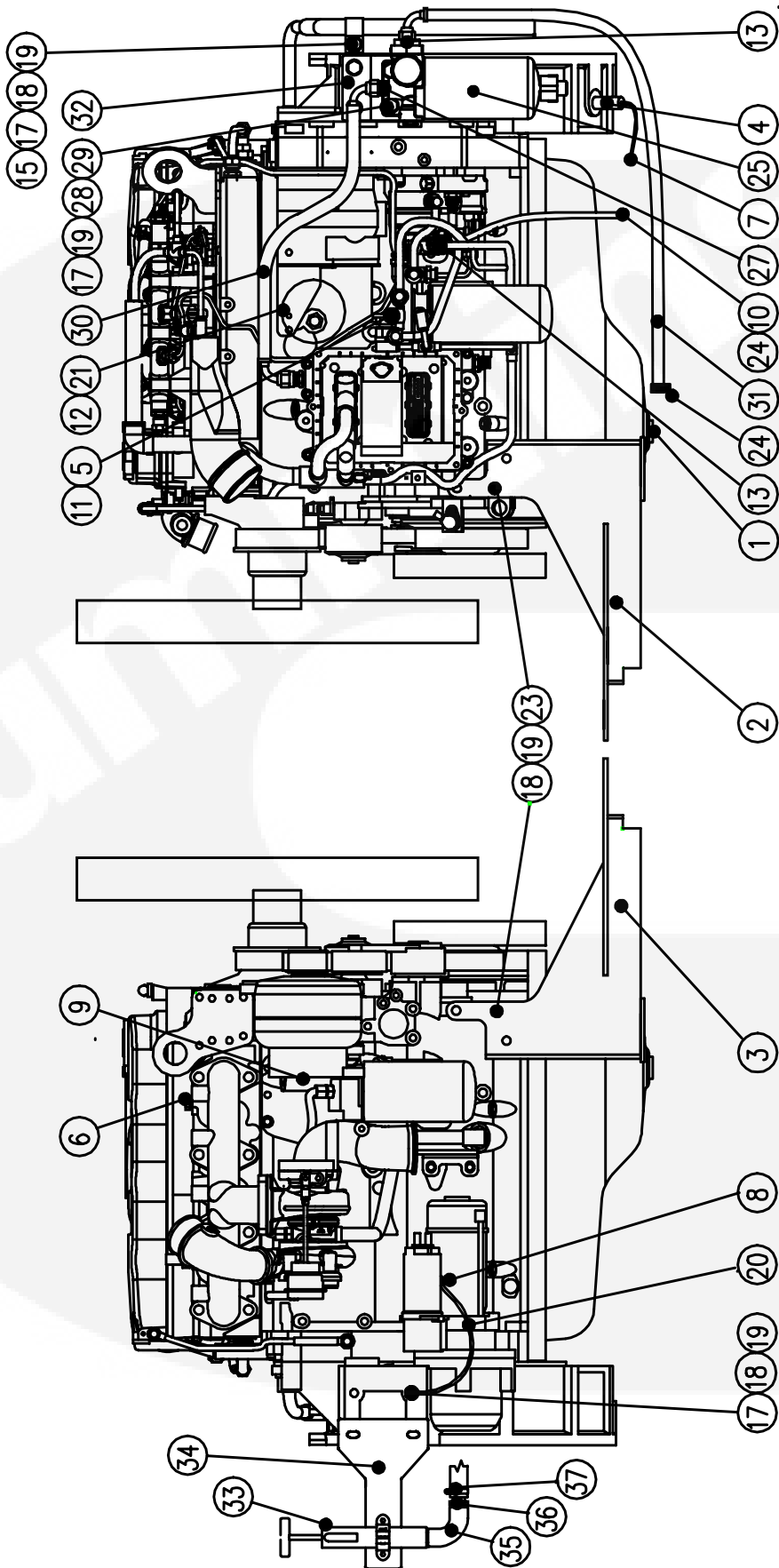
Disclaimer: The information contained within this manual is for a standard generator set. Some options are included for reference. To ensure the correct part is identified (and ordered) use the generator set serial number to obtain the bill of materials (BOM) specific to the generator set as a reference. Inline with Cummins Power Generation policy of continuous improvement, information is subject to change without notification.

CONTENTS

0100-4004	Engine Accessories	5
0179-3628	Radiator Assy	8
0179-3714	Air Cleaner Instl	11
0179-4344	Outlet Sockets Box Instl	13
0179-4365	Fuel System Instl	15
0179-4466	Circuit Breaker Assy	17
0179-4472	Heater Instl	19
0179-4491	Skid Assy (XRS)	21
0179-4517	Skid Instl (VRS)	23
0179-4542	Battery Isolator Assy	25
0300-6029	Accessory Instl	28
0338-0000	Harnesses	31
0403-5233	Genset Assy	33
0405-8842	Enclosure	34

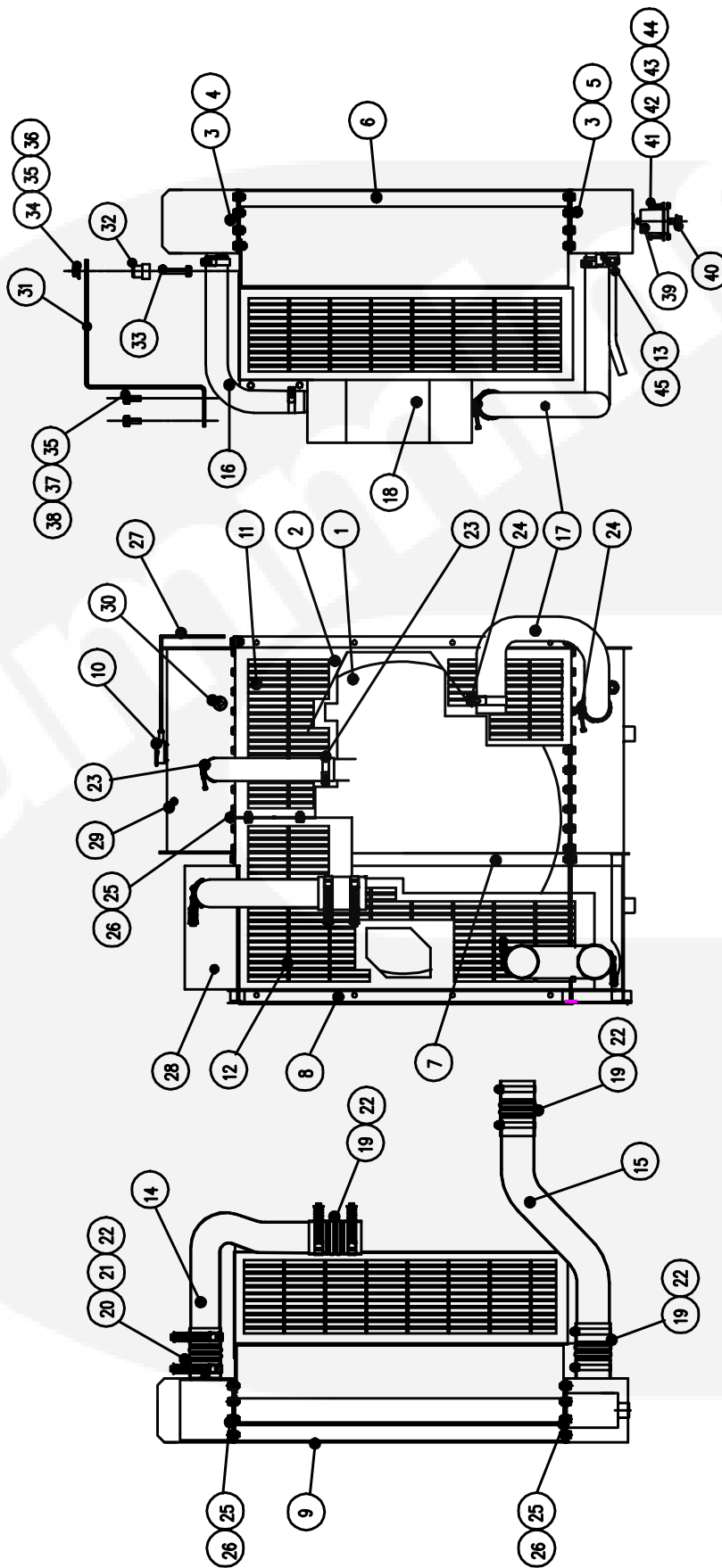


Engine Accessories



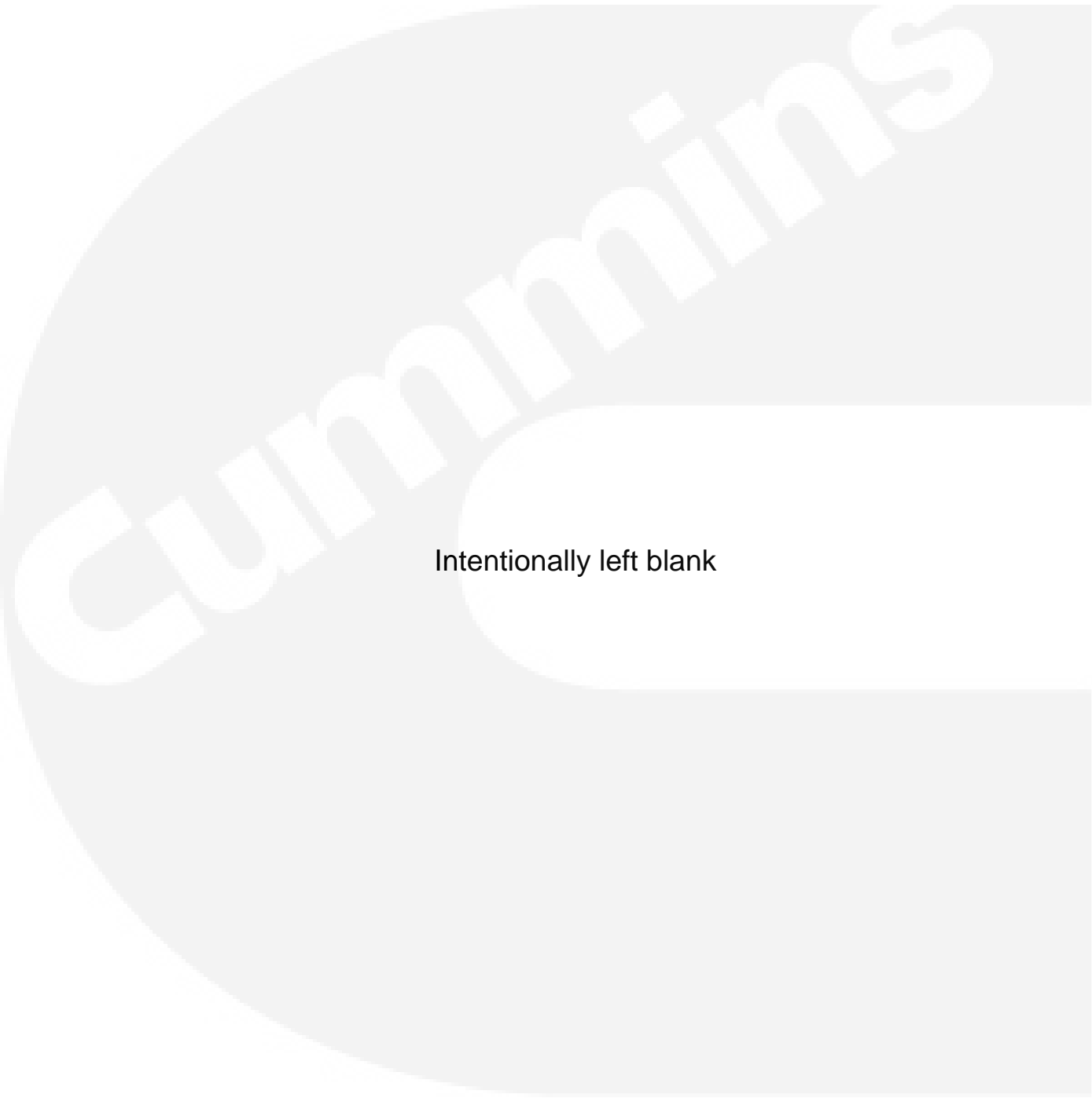
Item	Part Number	Description	Qty
	0100-3853-01	Engine-Diesel (4ISBeG1)	1
1	0504-0264-01	Valve-Hydraulic (Oil)	1
2	0130-6060	Bracket-Radiator (LH)	1
3	0130-6061	Bracket-Radiator (RH)	1
4	0150-2201	Speed Sensor-Mag	1
5	0193-0444	Sender-Oil Pressure	1
6	0193-0529-01	Sensor-Temperature	1
7	0332-1993	Terminal-Receptical	2
8	0332-3984	Boot-Terminal	1
9	0332-3985	Boot-Terminal	1
10	0501-0924	Line-Fuel	1
11	0505-0019	Bushing-Reducer	1
12	0505-2178	Bushing-Reducer	1
13	0505-2211	Adapter-Pipe(M12-3/8"BSP-M/M)	2
14	0505-1503	Adapter-Pipe 1/8"	1
15	0518-0548-43	Clamp-Hose ('P' Type 1.5")	1
16	0526-0027	Washer-Flat	1
17	0526-0399-64	Washer-Flat (M12)	8
18	0800-3017-53	Screw-Hex Head (M12 X 25)	2
19	0850-0114-56	Washer-Lock (M12)	8
20	0226-4913	Lead - Starter Motor Ground	1
21	0518-0548-24	Clamp-Hose ('P' Type 2.0")	2
23	0800-3017-55	Screw-Hex Head (M12 X 35)	6
24	0503-2467	Clamp-Hose	1
25	0149-2716	Fuel / Water Separator	1
26	0149-2718	Bracket-Fuel Separator	1
27	0505-2210	Adapter-Pipe(M14-3/8"BSP-M/M)	1
28	0800-3017-54	Screw-Hex Head (M12 X 30)	2
29	0862-0026-57	Nut-Hex (M12)	2
30	0501-0843	Line-Fuel (3/8"BSP X 500mm)	1
31	0501-0924	Line-Fuel (3/8"BSP X 700mm)	1

Radiator Assy



Item	Part Number	Description	Qty
1	0130-7391	Core -Radiator	1
2	0130-7399	Shroud - Fan	1
3	0130-7389	Gasket - Radiator (Core)	2
4	0130-7403	Tank - Radiator (Top)	1
5	0130-7404	Tank - Radiator (Bottom)	1
6	0130-7400	Panel - Radiator Housing (RH)	1
7	0130-7401	Panel - Radiator Housing (LH)	1
8	0130-7402	Panel - Radiator Housing (CA Side)	1
9	0130-7396	Guard - Radiator (Stone)	1
10	0130-7387	Cap - Pressure (70KPA)	1
11	0130-7397	Guard - Radiator Fan (RH)	1
12	0130-7398	Guard - Radiator Fan (LH)	1
13	0541-1120	1/2" NPT Drain Tap	1
14	0130-7392	Tube - Radiator (CA Top)	1
15	0130-7393	Tube - Radiator (CA Bottom)	1
16	0130-7394	Tube - Radiator (J/W Top)	1
17	0130-7395	Tube - Radiator (J/W Bottom)	1
18	0191-2424	Guard - Alternator	1
19	0503-2898	Hose - Radiator (76.2 Dia Silicone)	3
20	0503-2896	Clamp - Hose (71mm)	1
21	0503-2899	Hose - Radiator (76.2 Reducing)	1
22	0503-2897	Clamp - Hose (84mm)	7
23	0518-0758	Clip - Tube (38-58mm)	2
24	0518-0759	Clip - Tube (44- 64mm)	2
25	0870-2286	Nut - Captive (M6)	71
26	0800-6398	Screw - Hex FLG HD (M6)	116
27	0130-7388	Tube - Radiator Vent	1
28	0130-7566	Core - Cooler (Assy)	1
29	0505-2372	Plug (1/2" BSP)	1
30	0505-2373	Plug (1/4" BSP)	1
31	0130-6057	Bracket-Radiator	1
32	0402-0828	Isolator-Vibration	1
33	0821-2066	Screw-Hex Head (M10 X 50)	1
34	0526-0399-62	Washer-Flat (M10)	2
35	0850-0114-55	Washer-Lock (M10)	3
36	0862-0026-56	Nut-Hex (M10)	1
37	0800-3017-36	Screw-Hex Head (M10 X 20)	2
38	0526-0399-63	Washer-Flat (M10)	1

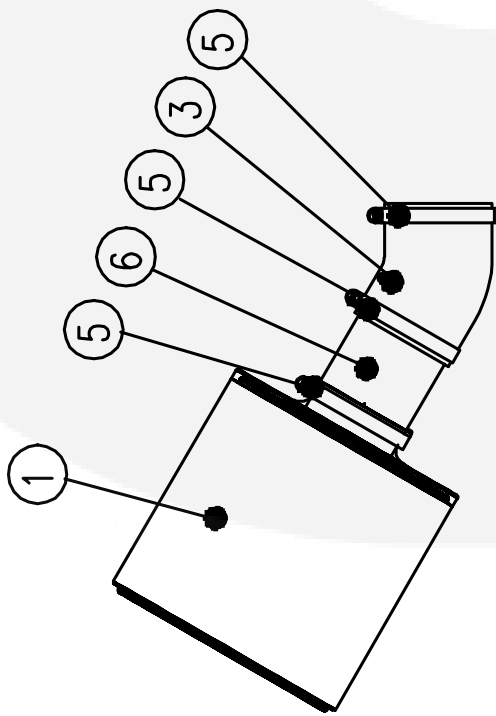
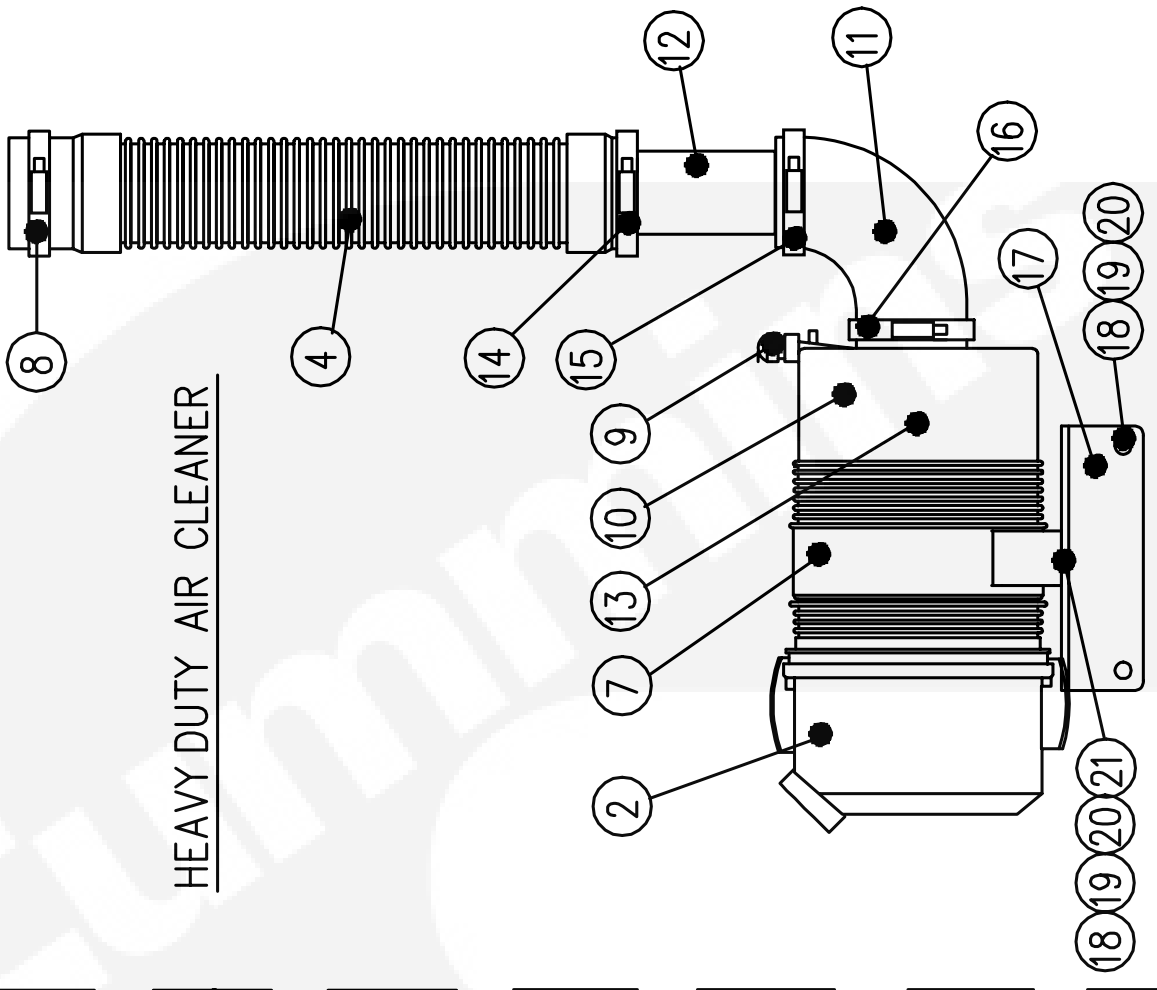
Item	Part Number	Description	Qty
39	0402-0829	Isolator-Vibration	2
40	0800-3017-44	Screw - Hex HD (M10 X 1.5 X 60)	2
41	0800-0309-91	Screw-Hex Head (M5 X 25)	4
42	0526-0399-56	Washer-Flat (M5)	4
43	0850-0114-52	Washer-Lock (M5)	4
44	0862-0026-53	Nut-Hex (M5)	4
45	0503-2633-02	Hose - Radiator (Drain)	1



Intentionally left blank

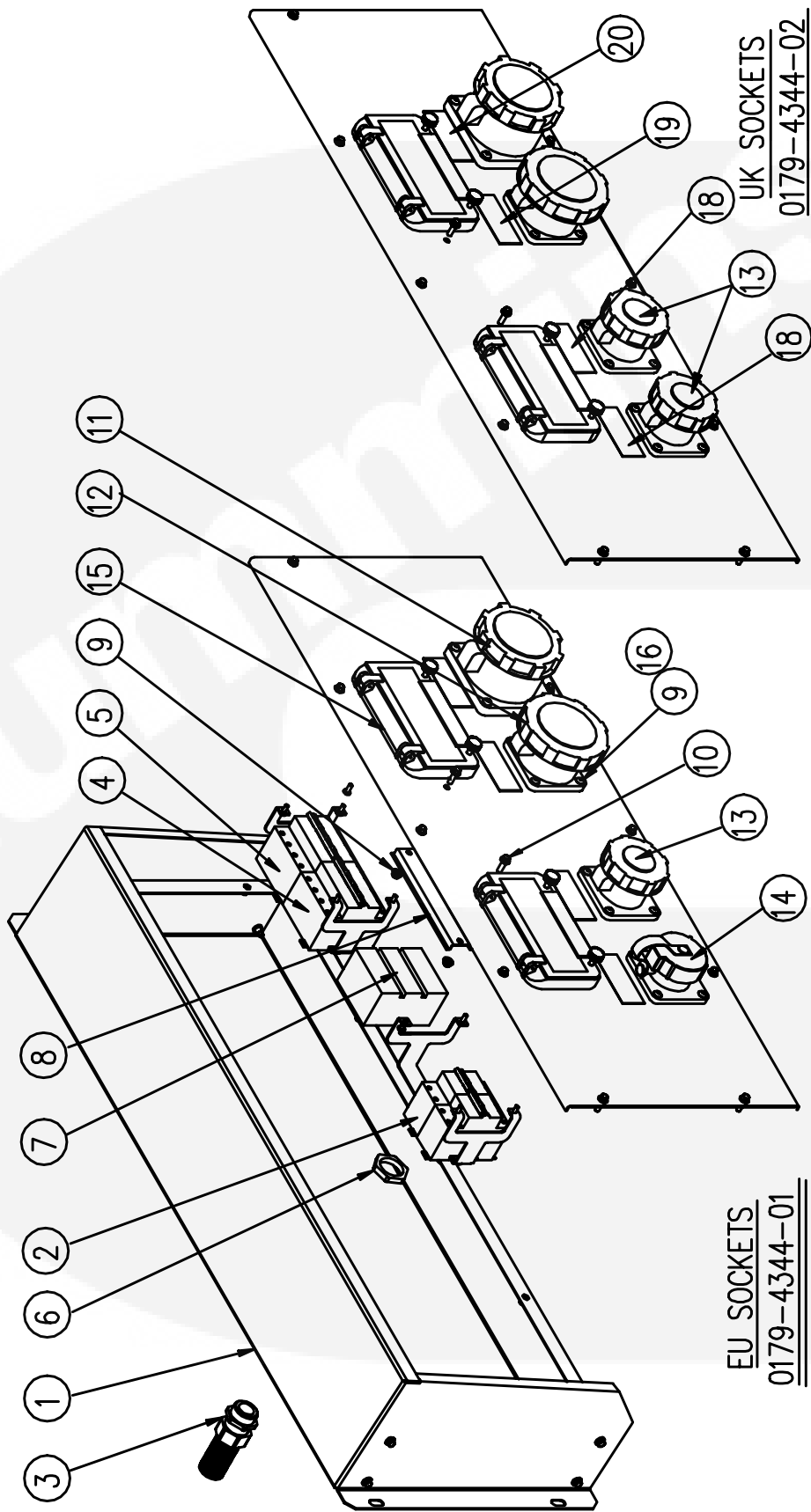


Air Cleaner Instl



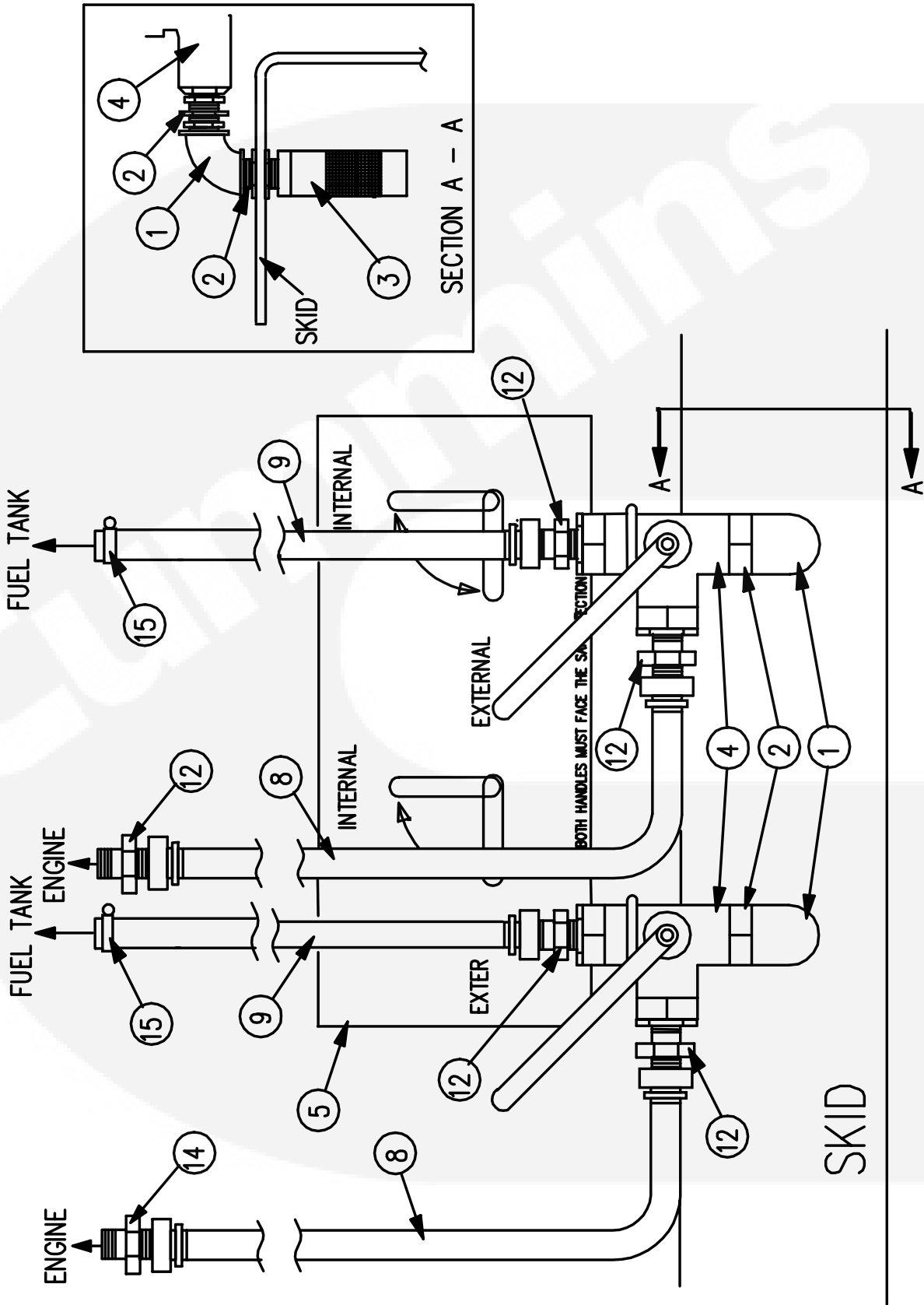
Item	Part Number	Description	Qty
1	0140-3602	Air Cleaner (Normal Duty)	1
2	0140-3912	Air Cleaner (Heavy Duty)	1
3	0140-2482	Hose	1
4	0140-2483	Hose	1
5	0140-3600	Clamp	3
6	0140-3601	Tube	1
7	0140-3599	Band	1
8	0140-3598	Clamp	1
9	0140-3556	Indicator-Service	1
10	0140-3911	Element-Primary	1
11	0503-2543	Elbow-Hose	1
12	0070-2003	Tube	1
13	0140-3896	Element-Secondary	1
14	0140-3908	Clamp	1
15	0140-3909	Clamp	1
16	0140-3910	Clamp	1
17	0140-3688-02	Bracket-Air Cleaner (HD)	1
18	0526-0399-64	Washer-Flat (M12)	4
19	0800-3017-54	Screw-Hex Head (M12 X 30)	4
20	0850-0114-56	Washer-Lock (M12)	4
21	0862-0026-57	Nut-Hex (M12)	2

Outlet Sockets Box Instl



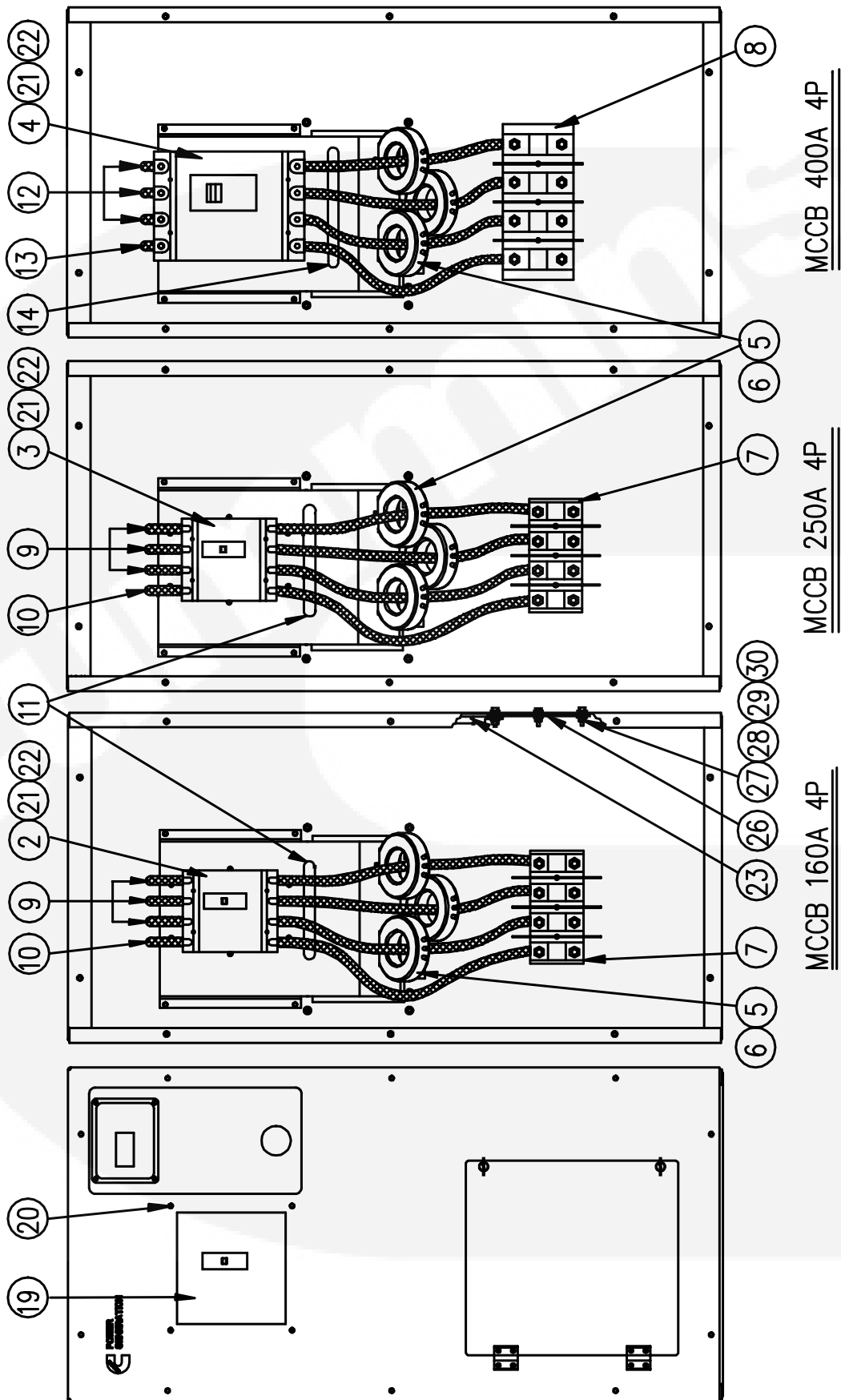
Item	Part Number	Description	Qty
1	0319-5843	Box-Output Assy	1
2	0320-2306-02	Circuit Breaker (2P !6A)	2
3	0338-4642	Harness-AC	1
4	0320-2307-04	Circuit Breaker (4P 32A)	1
5	0320-2307-05	Circuit Breaker (4P 63A)	1
6	N/R	Cable Gland Nut (part of Item 3)	1
7	0332-4121	Terminal Block	1
8	0332-4120	Rail-Terminal Block	1
9	0870-2065	Nut-Hex Flange (M5)	22
10	0821-2022	Screw-Hex Head Lock Flange (M5 X 16)	2
11	0323-2232	Connector-Receptable (63A-400V)	1
12	0323-2231	Connector-Receptable (32A-400V)	1
13	0323-2229	Connector-Receptable (16A-230V)	1
14	0323-2233	Connector-Receptable (SCHUKO)	1
15	0320-2303	Circuit Breaker Din Rail & Window	2
16	0821-2023	Screw-Hex Head Lock Flange (M5 X 20)	20
18	0098-8399	Label-Information (230V 1PH+E 16A)	2
19	0098-8403	Label-Information (400V 3PH+E 32A)	1
20	0098-8404	Label-Information (400V 3PH+E 63A)	1

Fuel System Instl



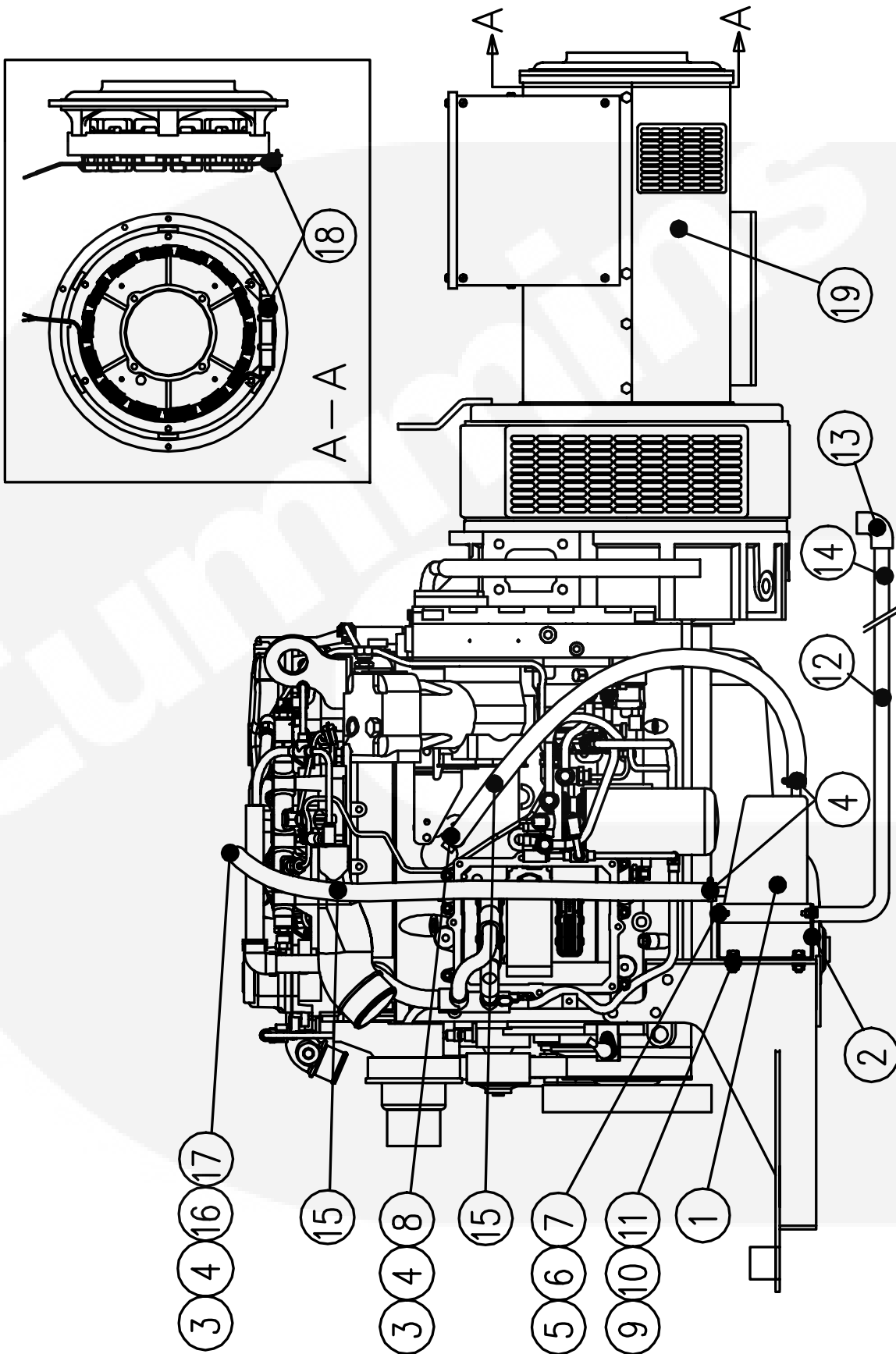
Item	Part Number	Description	Qty
1	0505-2141	Elbow-Pipe (1/2" BSP) Short Rad	2
2	0505-2142	Adaptor-Pipe (1/2" BSP) Bulkhead	4
3	0502-1544	Coupling-Tube (Pull Break)	2
4	0504-0280-03	Valve-Ball (1/2" BSP) L Port	2
5	0098-8395	Warning Label	1
8	0501-0840	Line-Fuel	2
9	0501-0922	Line-Fuel	2
12	0502-1487	Union-Hose (3/8"BSP M/M)	5
14	0505-2211	Adaptor-Pipe (M12-3/8"BSP M/M)	1

Circuit Breaker Assy



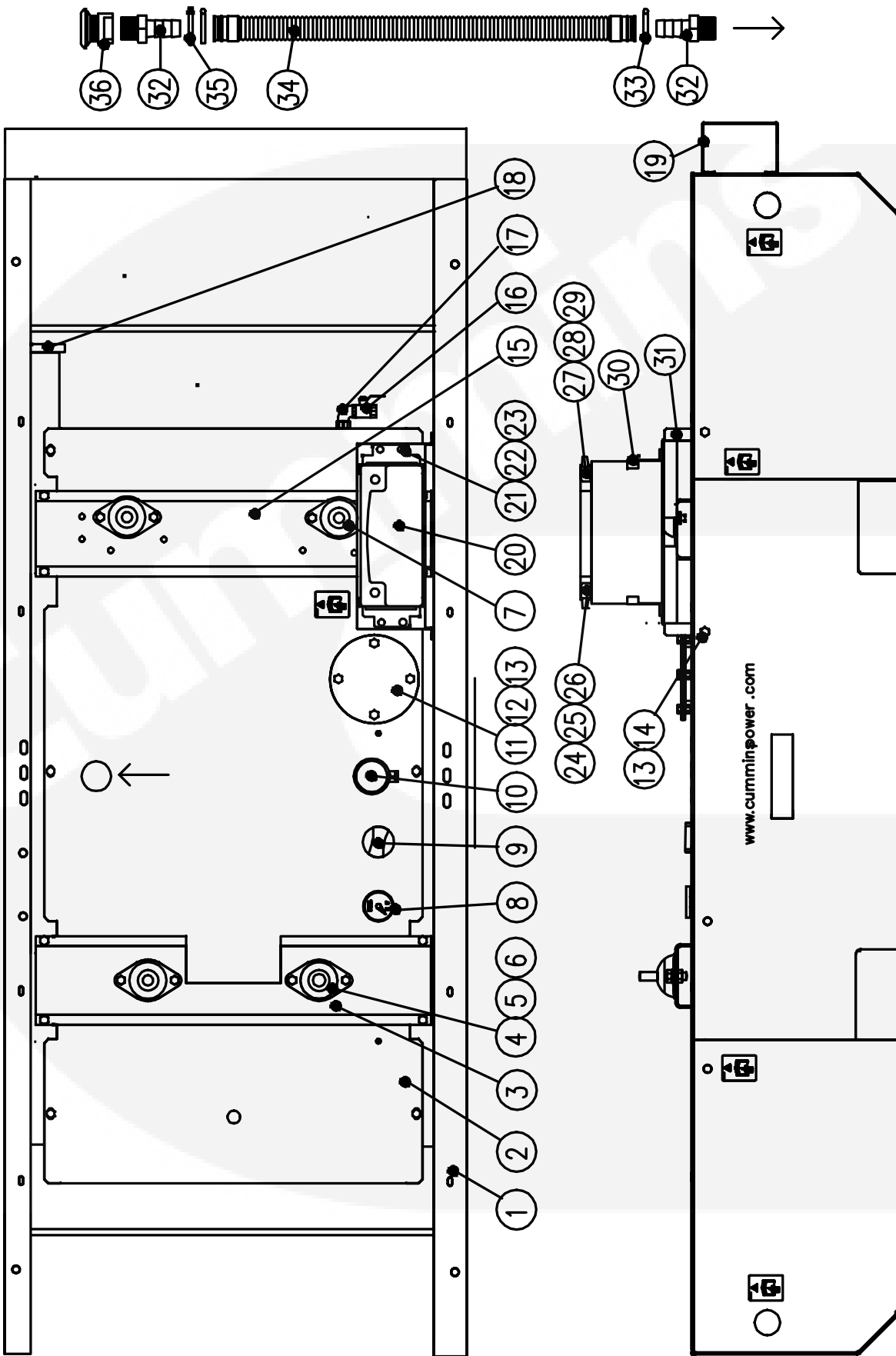
Item	Part Number	Description	Qty
2	0320-2157-04	Circuit Breaker (MCCB) 160A 4P	1
3	0320-2157-06	Circuit Breaker (MCCB) 250A 4P	1
4	0320-2120-02	Circuit Breaker (MCCB) 400A 4P	1
5	0302-2056-10	Transformer-Current 1000/500:5	3
6	0332-0941	Tie-Cable	4
7	0332-4125	Terminal Block (Power 250A)	1
8	0332-4126	Terminal Block (Power 400A)	1
9	0226-4953-02	Lead (Power 35sq.mm.)	3
10	0226-4953-01	Lead (Power 35sq.mm.)	1
11	0226-4953-03	Lead (Power 35sq.mm.)	4
12	0226-4953-02	Lead (Power 35sq.mm.)	6
13	0226-4953-01	Lead (Power 35sq.mm.)	2
14	0226-4953-04	Lead (Power 35sq.mm.)	8
15	0332-4001-03	Rail-Terminal Block	1
16	0800-0309-87	Screw-Hex Head (M5 X 10)	2
17	0850-0114-52	Washer-Lock (M5)	2
18	0526-0399-56	Washer-Flat (M5)	2
19	0319-5861-02	Cover-160 & 250A MCCB	1
20	0821-6002-02	Screw-Tap/Scr (M6 X 12)-With Item 19	4
21	0320-1981-51	SPDT Switch (MCCB)	1
22	0320-1981-52	Shunt Trip (MCCB)	1
23	0337-3781-01	Strap-Ground	1
26	0337-3746	Bus Bar-Ground	1
27	0800-3017-44	Screw-Hex Head (M10 X 60)	3
28	0526-0399-63	Washer-Flat (M10)	6
29	0850-0114-55	Washer-Lock (M10)	3
30	0862-0026-56	Nut-Hex (M10)	3

Heater Instl



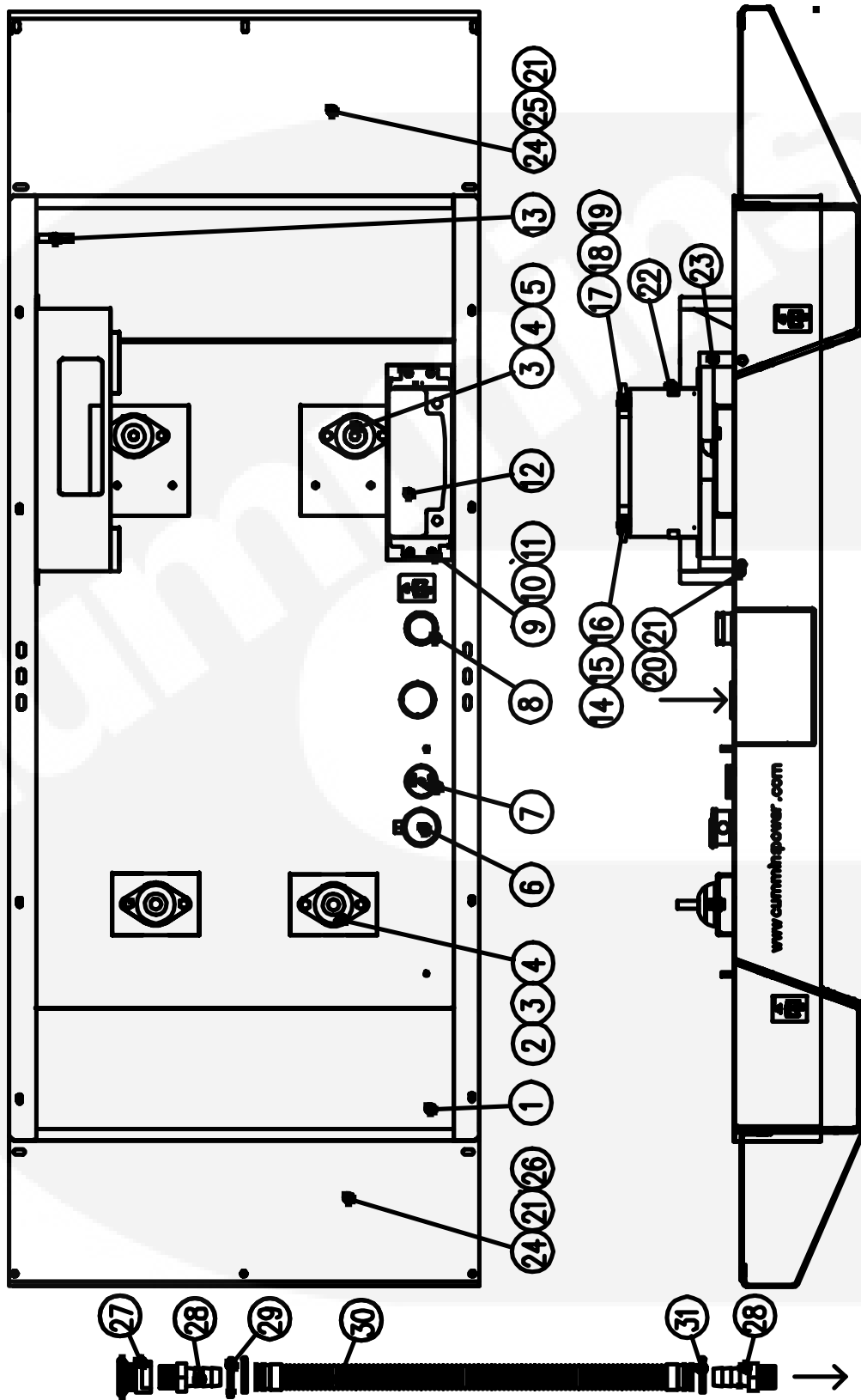
Item	Part Number	Description	Qty
1	0333-0690	Heater-Engine Coolant,(240V).	1
2	0333-0689	Bracket-Heater	1
3	0502-1490	Connector-Hose (1/2"NPT X 16mmTail)	1
4	0502-1491	Connector-Hose (3/4"NPT X 16mmTail)	1
5	0503-2385	Clamp-Hose (1"-1.3/4")	4
6	0526-0399-58	Washer-Flat (M6)	8
7	0800-3017-06	Screw-Hex Head (M6 X 30)	4
8	0870-0506	Nut-Nyloc (M6)	4
9	0503-2474-25	Hose-Steam	1
10	0526-0399-60	Washer-Flat (M8)	2
11	0821-6003-02	Screw-Sems Tap/Scr (M8 X 20)	2
12	0870-2248-05	Nut-Nyloc (M8)	2
13	0898-1195-02	Sleeving-Convolutd	A/R
14	0332-1794	Tie-Cable	6
15	0503-2474-13	Hose-Steam	1
16	0133-0228	Heater-Alternator (240V)	1

Skid Assy (XRS)



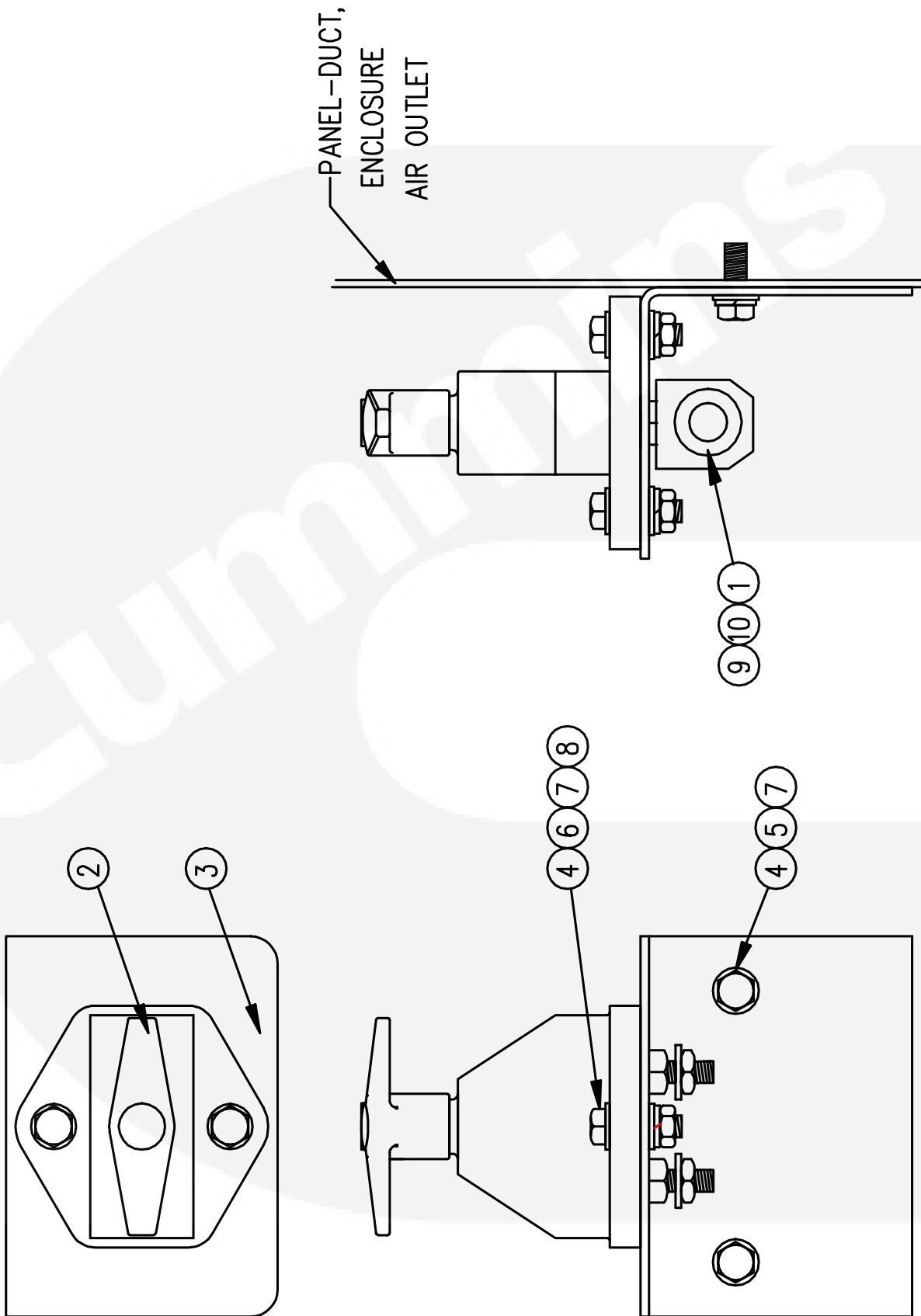
Item	Part Number	Description	Qty
1	0403-5835-02	Skid	1
2	0159-1665-02	Tank-Fuel	1
3	0403-5861-03	Crossmember-Engine	1
4	0402-0779-02	Isolator-Vibration	2
5	0800-0607	Screw-Hex Head (3/4"UNC X 2")	4
6	0517-0094	Plug-Hole	8
7	0402-0779-05	Isolator-Vibration	2
8	0193-0585	Gauge-Fuel Level	1
9	0159-1681	Cap-Filler	1
10	0309-0707-05	Switch-Fuel Level (220mm)	1
11	0159-1667	Gasket	1
12	0159-1668-02	Cover	1
13	0821-2077	Screw-Hex Head Flange (M12 X 30)	6
14	0870-2065-05	Nut-Hex Flange (M12)	2
15	0403-5862-03	Crossmember-Generator	1
16	0504-0239	Valve-Ball (3/4" BSP)	1
17	0505-2276	Elbow-Pipe (3/4" BSP M/M)	2
18	0520-2668	Stud-Ground	1
19	0403-5962	End Cap-Skid	1
20	0416-1208	Battery	1
21	0800-3017-19	Screw-Hex Head (M8 X 20)	4
22	0850-0114-54	Washer-Lock (M8)	4
23	0526-0399-60	Washer-Flat(M8)	4
24	0416-1308	Cable-Battery (+ve)	1
25	0416-1204	Clamp-Battery (+ve)	1
26	0416-1019	Boot-Battery (Red)	1
27	0416-1309	Cable-Battery (-ve)	1
28	0416-1203	Clamp-Battery (-ve)	1
29	0416-1020	Boot-Battery (Black)	1
30	0416-1211-03	Clamp-Battery	2
31	0416-1272-02	Tray-Battery	1
32	0502-1546	Connector-Hose (2")	2
33	0503-2373	Jubilee Clip-(50-70mm)	2
34	0503-2655	Hose-Vent (2")	1
35	0518-0742	Clamp-U (60mm)	1
36	0159-1633	Vent-Fuel Tank	1
		Item 27 becomes 0416-1310 when	
		Battery Isolator option is fitted.	

Skid Instl (VRS)



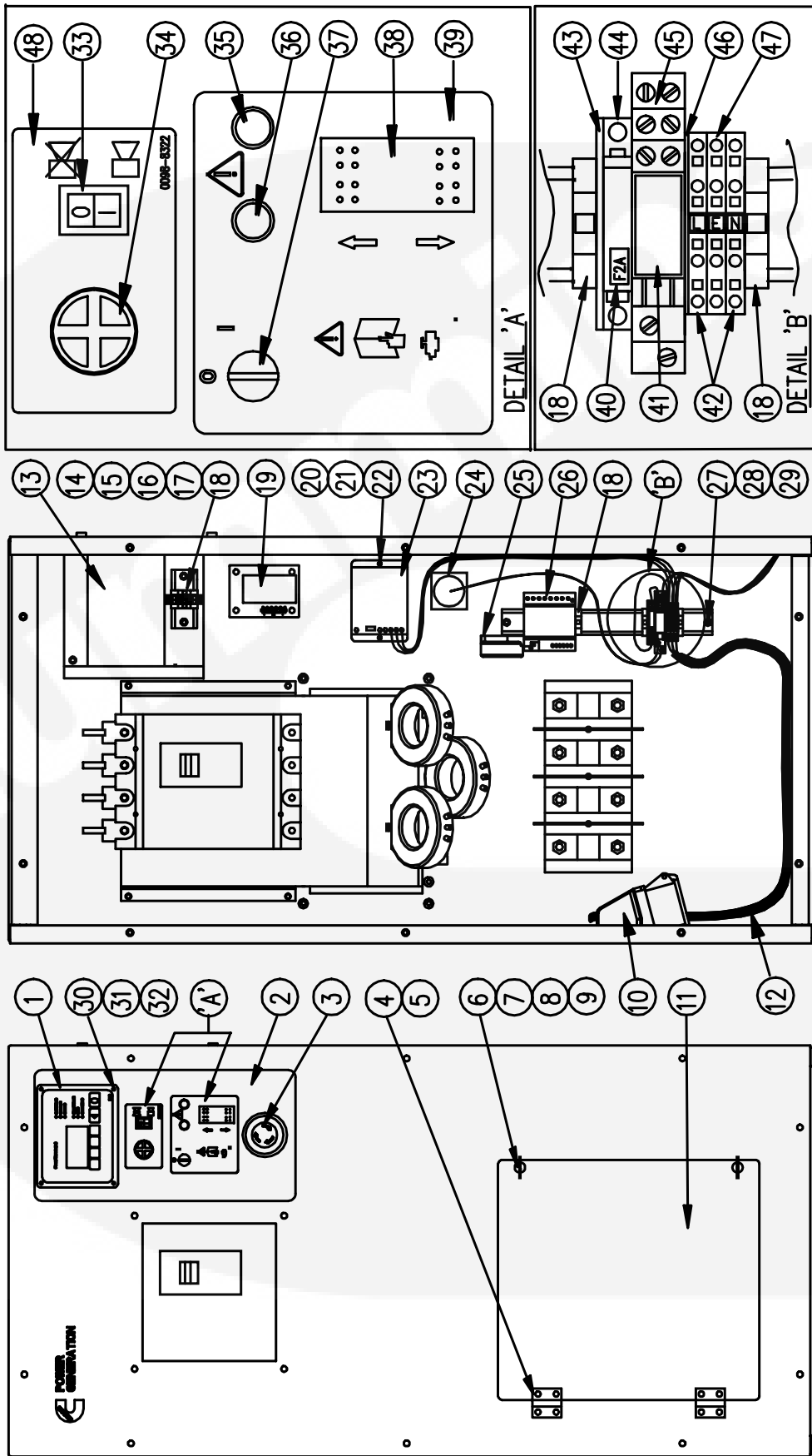
Item	Part Number	Description	Qty
1	0403-5850-02	Skid	1
2	0402-0779-02	Isolator-Vibration	2
3	0800-0607	Screw-Hex Head (3/4"UNC X 2.0")	4
4	0517-0094	Plug-Hole	8
5	0402-0779-05	Isolator-Vibration	2
6	0309-0707-01	Switch-Fuel Level (185mm)	1
7	0193-0585	Gauge-Fuel Level	1
8	0159-1681	Cap-Filler	1
9	0800-3017-19	Screw-Hex Head (M8 X 20)	4
10	0850-0114-54	Washer-Lock (M8)	4
11	0526-0399-60	Washer-Flat (M8)	4
12	0416-1208	Battery	1
13	0520-2668	Stud-Ground (M12 X 100)	1
14	0416-1308	Cable-Battery (+ve)	1
15	0416-1203	Clamp-Battery (+ve)	1
16	0416-1019	Boot-Battery (Red)	1
17*	0416-1309	Cable-Battery (-ve)	1
18	0416-1204	Clamp-Battery (-ve)	1
19	0416-1020	Boot-Battery (Black)	1
20	0821-2077	Screw-Lock Flange (M12 X 30)	2
21	0870-2065-05	Nut-Hex Flange (M12)	14
22	0416-1211-03	Clamp-Battery	2
23	0416-1272-02	Tray-Battery	1
24	0821-2076-01	Screw-Lock Flange (M12 X 25)	12
25	0403-5958	End Cap-Skid (Assy)	1
26	0403-5966	End Cap-Skid (Assy)	1
27	0159-1633	Vent-Fuel Tank	1
28	0502-1546	Connector-Hose (2")	2
29	0518-0742	Clamp-U (60mm)	1
30	0503-2655	Hose-Vent (2")	1
31	0503-2373	Jubilee Clip-(50-70mm)	2
		Item 17 becomes 0416-1310 when	
		Battery Isolator option is fitted.	

Battery Isolator Assy



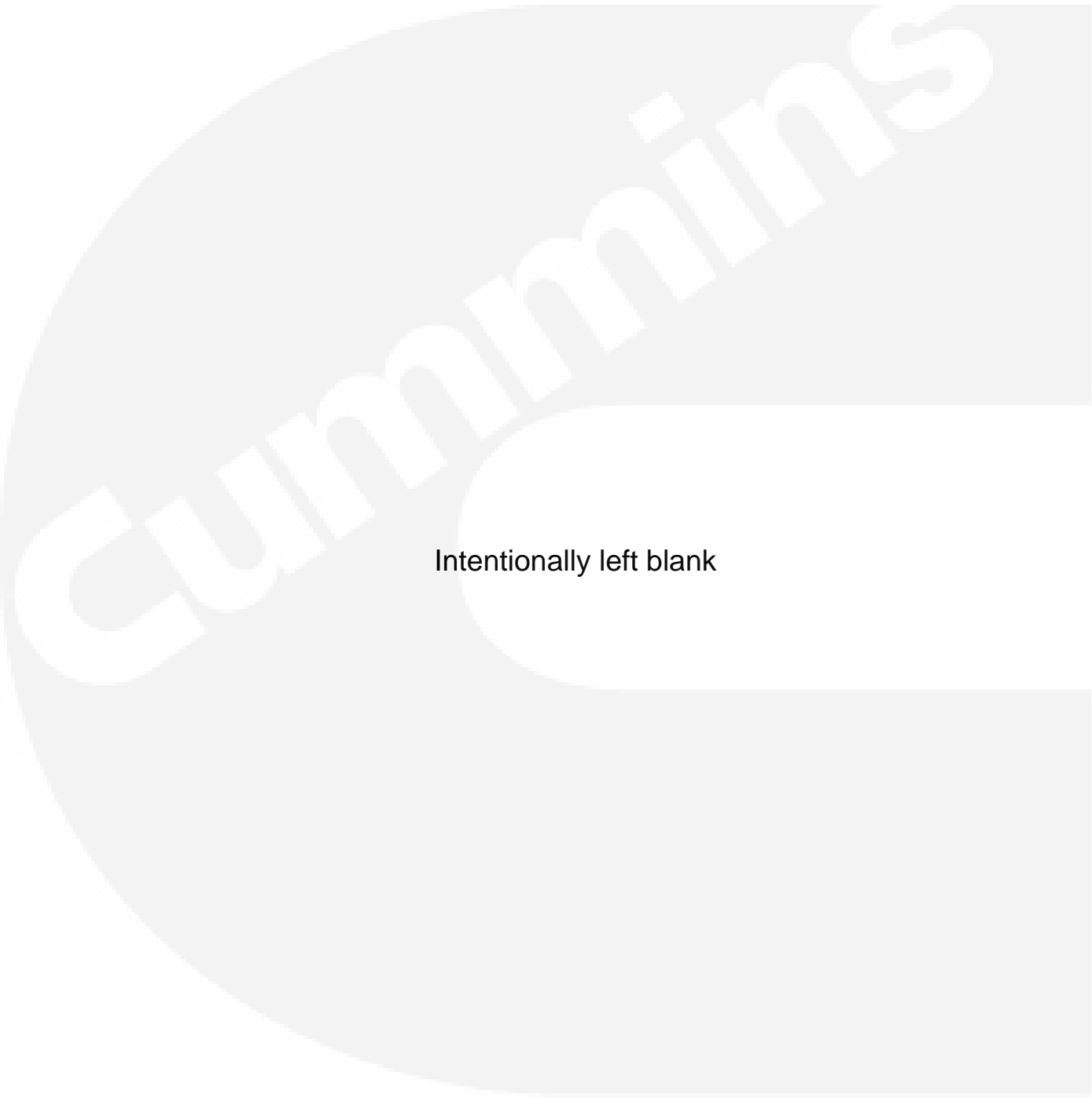
Item	Part Number	Description	Qty
1	0323-2083	Boot-Connector	2
2	0416-1314	Battery Isolator	1
3	0416-1317-02	Bracket-Battery Isolator	1
4	0526-0399-60	Washer-Flat (M8)	4
5	0800-3017-19	Screw-Hex Head (M8 X 20)	2
6	0800-3017-21	Screw-Hex Head (M8 X 30)	2
7	0850-0114-54	Washer-Lock (M8)	4
8	0862-0026-55	Nut-Hex (M8)	4
9	0416-1310	Cable from Battery -ve	1
10	0416-1311	Cable to Engine -ve	1

Accessory Instl



Item	Part Number	Description	Qty
1	0300-5875	Control Assy	1
2	0098-8425	Label-Information	1
3	0308-1178	Switch-Pushbutton E/Stop	1
4	0406-1095	Hinge	2
5	0814-2156-02	Screw-CSK Head (M5 X 10)	8
6	0406-1108	Fastener-Panel	2
7	0406-1097	Fastener-Panel (Retainer)	2
8	0406-1098	Fastener-Panel (Recepticle)	2
9	0406-1099	Fastener-Panel (Wear Washer)	2
10	0323-2293	Connector-Plug	1
11	0319-5853-02	Cover-Box	1
12	0338-4668	Harness-AC	1
13	0327-1513-01	PCB Assy (PCC1301)	1
14	0332-3923-01	Terminal Block (Wago)	4
15	0332-3925-01	Jumper-Terminal (Wago, 2-Way)	1
16	0332-3927-01	Terminal Block-End Plate	2
17	0332-4001-02	Rail-Terminal Block	1
18	0332-3926	Terminal Block-End Stop	7
19	0327-1507	PCB Assy (Dynamo Governor)	1
20	0526-0399-55	Washer-Flat (M4)	2
21	0850-0114-51	Washer-Lock (M4)	2
22	0800-0309-76	Screw-Hex Head (M4 X 16)	2
23	0416-1300	Battery Charger	1
24	0319-5980-02	Plate-Mounting	1
25	0315-1607-03	Transformer-Current	1
26	0307-3114	Earth Fault Relay-(Kit-Relay,Harness & Bracket)	1
27	0800-0317-03	Screw-Hex Head (M6 X 16)	2
28	0526-0399-58	Washer-Flat (M6)	2
29	0850-0114-53	Washer-Lock (M6)	2
30	0320-1981-52	Shunt Trip (MCCB)	1
31	0320-1981-51	SPDT Switch (MCCB)	1
32	0098-8322	Label-Information	1
33	0308-1191	Switch-Rocker	1
34	0300-5937	Module-Alarm	1
35	0322-0510-02	Led Yellow 12v	1
36	0322-0510-01	Led Red 12v	1
37	0308-1179	Switch-Key	1
38	0308-1181	Switch-Rocker	1

Item	Part Number	Description	Qty
39	0098-8426	Label-Information	1
40	0321-0394-02	Fuse 2A	1
41	0307-3046	Relay 2P 12V-G2R2SN.	1
42	0332-3923-03	Terminal Block (Wago)	2
43	0332-3945	Fuse Holder-End Plate	1
44	0332-3944	Terminal Block, Fuse	1
45	0249-0814	Relay Base 2P	1
46	0332-3927-02	Terminal Block-End Plate	1
47	0332-4036-03	Terminal Block (Wago)	1



Intentionally left blank



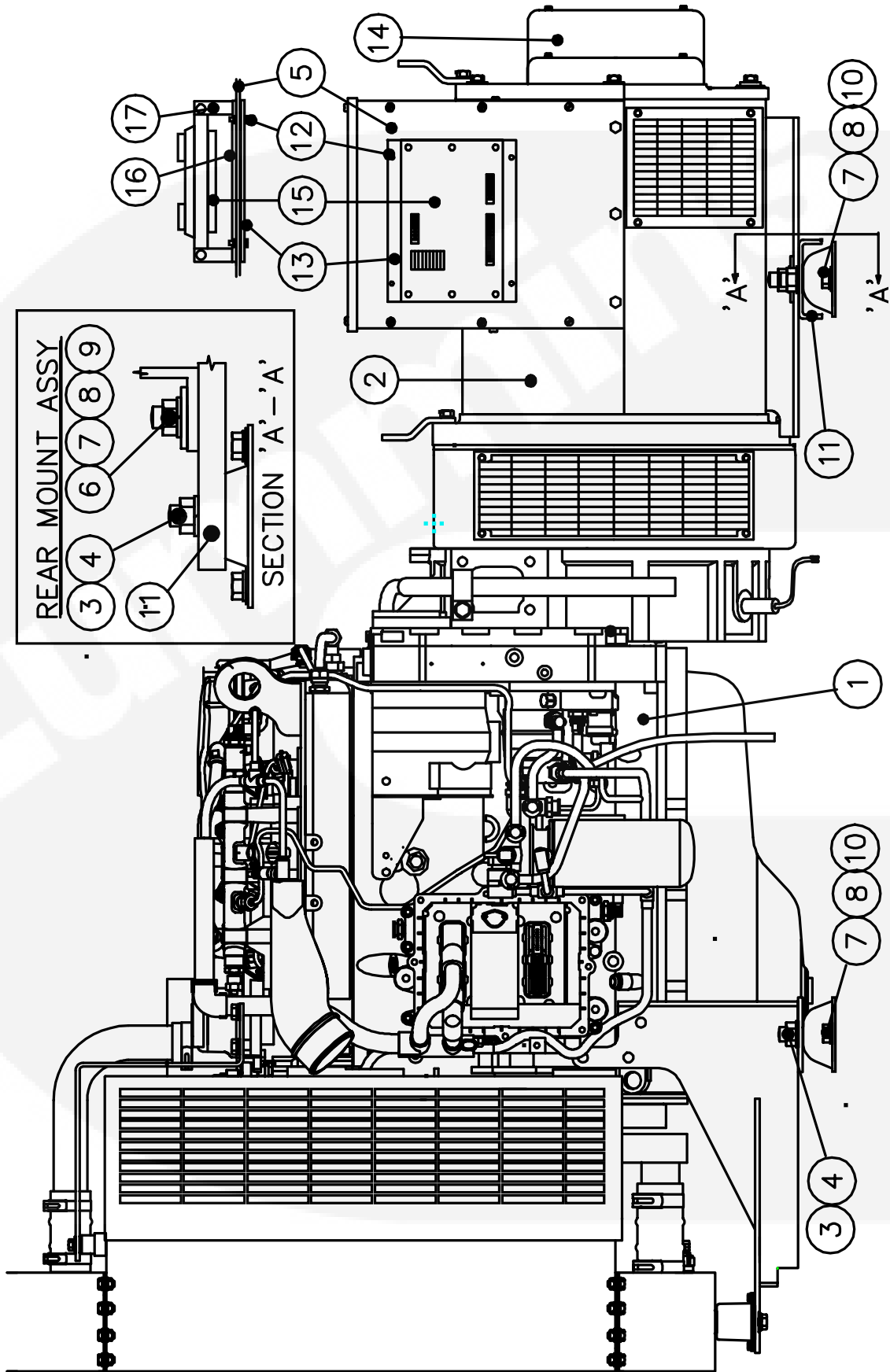
Harnesses

No Illustration



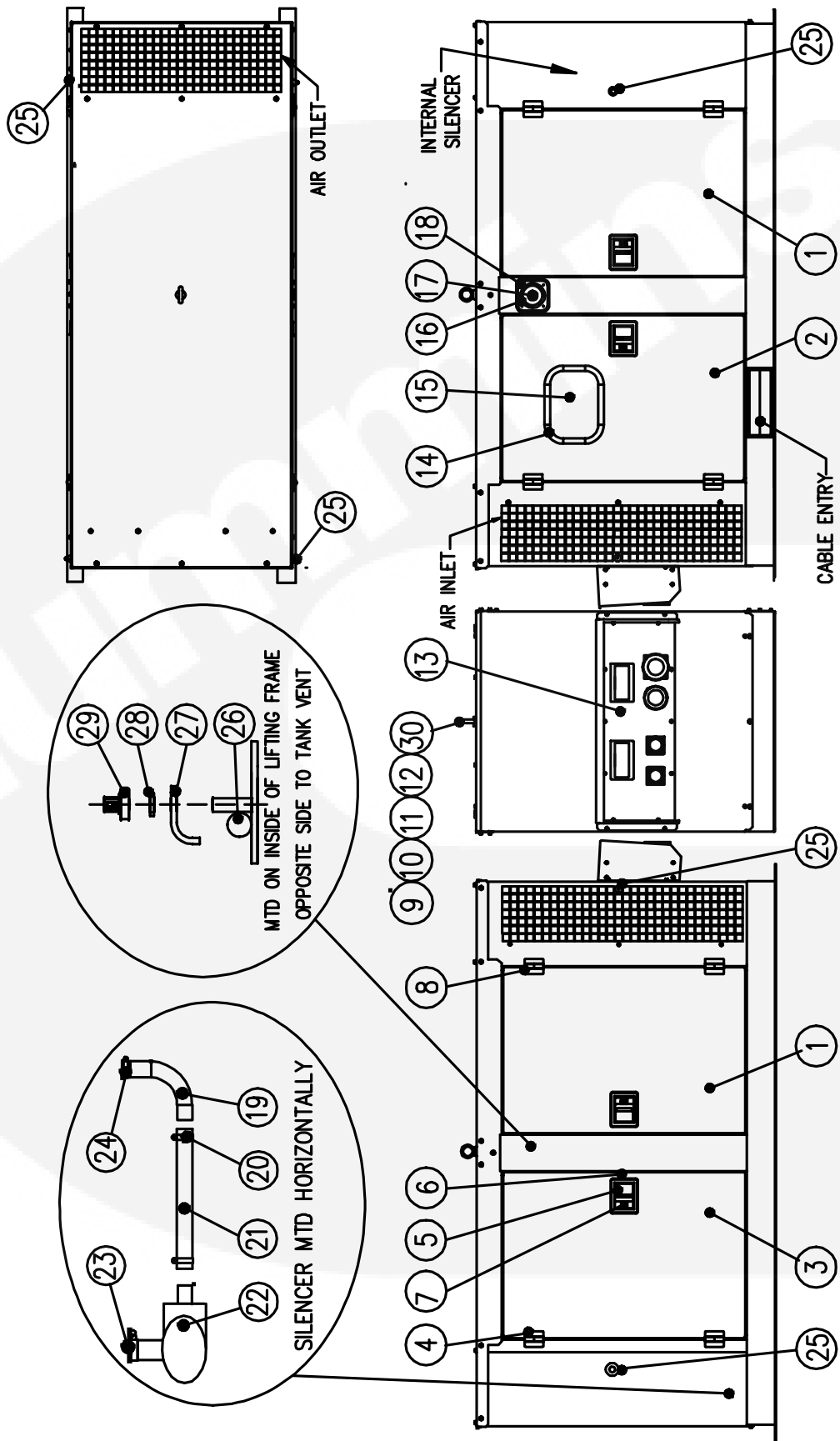
Item	Part Number	Description	Qty
N/A	0338-4664	Harness-AC (Voltage Sensing)	1
N/A	0338-4665	Harness-AC (CT Sensing)	1
N/A	0338-4676	Harness (Engine)	1
N/A	0338-4684	Harness (Extension)	1
N/A	0338-4522	Harness-Alarm	1
N/A	0338-4530	Harness-AC (Battery Charger)	1

Genset Assy



Item	Part Number	Description	Qty
1	0100-3853-01	Engine-4ISBeG1	1
2	0200-3112-01	Alternator-UC274C	1
3	0526-0238-01	Washer-Flat (3/4")	4
4	0870-0255	Nut-Self Lock (3/4"-UNC)	4
5	0319-5946	Alternator Terminal Box	1
6	0800-3017-56	Screw-Hex Head (M12 X 40)	2
7	0526-0399-64	Washer-Flat (M12)	12
8	0850-0114-56	Washer-Lock (M12)	10
9	0826-0026-57	Nut-Hex (M12)	2
10	0800-3017-54	Screw-Hex Head (M12 X 30)	8
11	0403-5265-02	Spacer-Generator (UC274C)	1
12	0821-6002-02	Screw Sems (M6 X 12)	4
13	0319-5933-02	Cover -Regulator	1
14*	0200-3129	PMG Kit-Option	1
15*	0305-1023	Regulator	1
16*	0305-1028	Cover -Regulator (Polycarbonate)	1
17*	0305-1024	AVR Mounting Assy	1
		* Items 14,15,16 & 17 are all for PMG option.	

Enclosure



Item	Part Number	Description	Qty
1	0405-8930	Door-Enclosure R.H.	2
2	0405-8933	Door-Window	1
3	0405-8929	Door-Enclosure L.H.	1
4	0406-1051	Hinge-L.H.	4
5	0406-1059	Latch-Door	4
6	0406-1109	Bracket-Latch	2
7	0406-1074	Key-Latch	2
8	0406-1052	Hinge-R.H.	4
9	0403-6611	Lifting Eye (M30)	1
10	0526-2240	Washer-Flat (M30)	1
11	0880-2015	Nut-Hex (M30)	1
12	0860-2079-07	Nut - Hex Castle (M30 x 3.5)	1
13	0179-4344	Outlet Sockets Box	1
14	0508-1199	Window Seal	A/R
15	0405-8144	Window-Enclosure	1
16	0098-8025	Label-Emergency Stop	1
17	0308-1175	Switch-Push Button (E-Stop)	1
18	0319-5262	Switch-Cover (E-Stop)	1
19	0155-4223	Elbow-3"	1
20	0155-4205	Clamp-3"	2
21	0155-4207	Pipe-Exhaust	1
22	0155-4161	Muffler 35db(A)	1
23	0155-4600	Raincap	1
24	0155-4224	Clamp-3"	1
25	0406-1113	Door Stop	4
26	0337-3758	Rod-Ground	1
27	0337-3933	Rod-Ground (Hold Down)	2
28	0526-0399-58	Washer-Flat (M6)	2
29	0865-0030	Nut-Wing (M6)	2
30	0516-2115-03	Pin - Cotter (Split Dia 6.3)	1

Cummins Power Generation
1400 73rd Avenue NE
Minneapolis
MN 55432
USA

Tel:+1 (763) 574-5000
Fax:+1 (763) 574-5298

e-mail: pgamail@cummins.com

Web: www.cumminspower.com

Cummins Power Generation
35A/1/2, Erandawana
Pune 411 038
India

Tel.: (91 020) 6602 7525
Fax: (91 020) 6602 8090

e-mail: cpgindia@cummins.com

Web: www.cumminspower.com

Cummins Power Generation
Columbus Avenue
Manston Park
Manston
Ramsgate
Kent CT12 5BF
United Kingdom

Tel:+44 (0) 1843 255000
Fax:+44 (0) 1843 255902

e-mail: cpgk.uk@cummins.com

Web: www.cumminspower.com

Cummins Power Generation
Rua Jati, 310 - Cumbica
Guarulhos –SP
Brasil
CEP: 07180-900

Tel.: (55 11) 2186 4195
Fax: (55 11) 2186 4729

e-mail: falecom@cumminspower.com.br

Web: www.cumminspower.com

Cummins Power Generation
10 Toh Guan Road #07-01
TT International Tradepark
Singapore 608838

Tel: (65) 6417 2388
Fax:(65) 6417 2399

e-mail: cpg.apmktg@cummins.com

Web: www.cumminspower.com

Cummins®, the “C” logo, and “Our energy working for you.”
are trademarks of Cummins Inc.

©2010 Cummins Power Generation, Inc. All rights reserved

