



Parts Manual

Our energy working for you.™



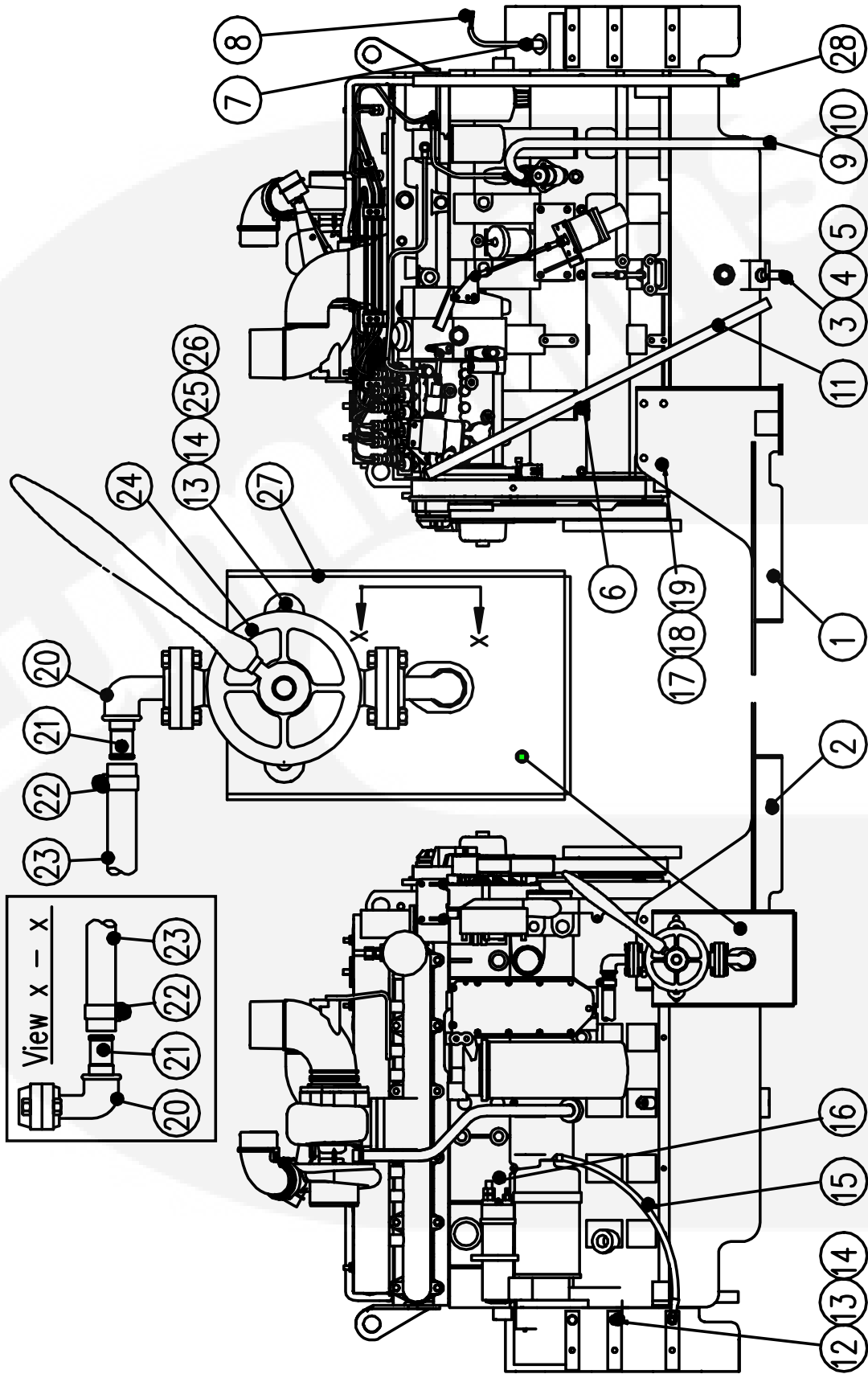
Generator Set with 6CTAA8.3G2 with PCC1301 Control C200 D2R

Disclaimer: The information contained within this manual is for a standard generator set. Some options are included for reference. To ensure the correct part is identified (and ordered) use the generator set serial number to obtain the bill of materials (BOM) specific to the generator set as a reference. In line with Cummins Power Generation policy of continuous improvement, information is subject to change without notification.

CONTENTS

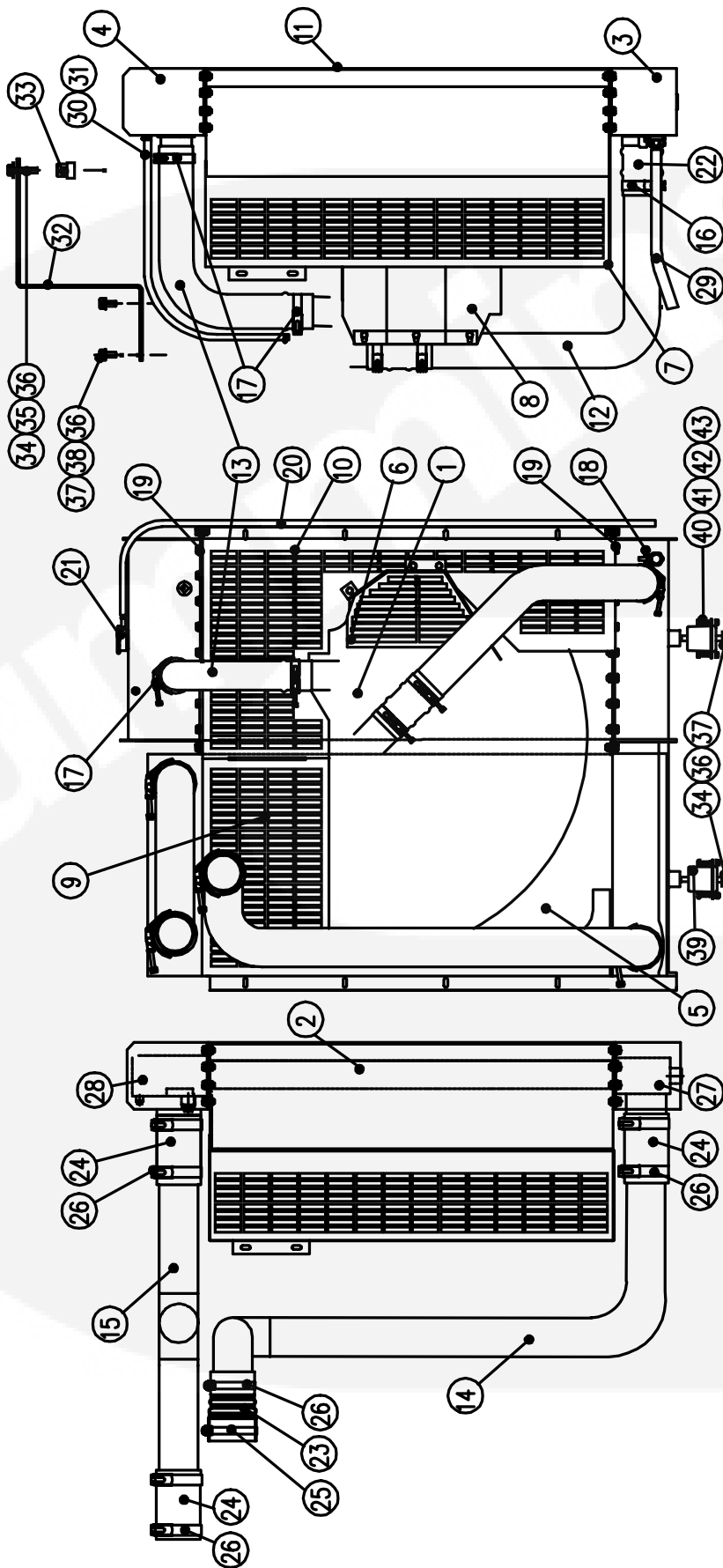
0100-4011	Engine Accessories	5
0179-3602	Radiator Instl	8
0179-3661	Air Cleaner Instl	11
0179-4365	Fuel System Instl	13
0179-4473	Heater Instl (Engine & Alternator)	15
0179-4529	Circuit Breaker Instl	17
0179-4542	Battery Isolator Instl	19
0179-4549-02	Skid Instl	21
0300-6030	Control Assy	24
0338-0000	Harnesses	27
0405-9110	Enclosure Assy	29
0500-0000	Genset Assy	30
0179-3722-02	Heat Shield	32

Engine Accessories



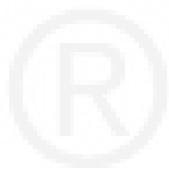
Item	Part Number	Description	Qty
	0100-3771-07	Engine-6CTAA8.3G2	1
1	0130-6031	Bracket-Radiator (LH)	1
2	0130-6032	Bracket-Radiator (RH)	1
3	0102-1448-02	Adapter-Oil Drain	1
4	0504-0254-01	Valve-Gate (M18)	1
5	0505-2175	Elbow-Pipe	1
6	0193-0444	Sender-Oil Pressure	1
7	0150-2201	Speed Sensor-Mag	1
8	0332-1993	Terminal-Receptable	2
9	0501-0840	Line-Fuel (Inlet)	1
10	0505-2211	Adaptor-Pipe M/M (M12 X 3/8"BSP)	1
11	0501-0929	Line-Fuel	1
12	0800-3017-38	Screw-Hex Head (M10 X 30)	3
13	0850-0114-55	Washer-Lock (M10)	3
14	0526-0399-62	Washer-Flat (M10)	3
15	0226-4923	Lead	1
16	0332-3984	Boot-Terminal	1
17	0800-3017-55	Screw-Hex Head (M12 X 35)	8
18	0526-0399-64	Washer-Flat (M12)	8
19	0850-0114-56	Washer-Lock (M12)	8
20	0502-1369	Elbow 90° M/F (1/2" BSP)	2
21	0502-1370	Adaptor-Pipe(1/2"BSP-3/4" Tail)	2
22	0503-1872-01	Clamp Hose (1"-1.75")	2
23	0503-2208-03	Hose-Oil (Clear)	1
24	0149-2736	Oil Pump Semi Rotary 1/2"	1
25	0800-3017-40	Screw-Hex Head (M10 X 40)	2
26	0862-0026-56	Nut-Hex (M10)	2
27	0120-1345-02	Bracket-Oil Pump	1
28	0501-0830-01	Hose-Oil Breather	1

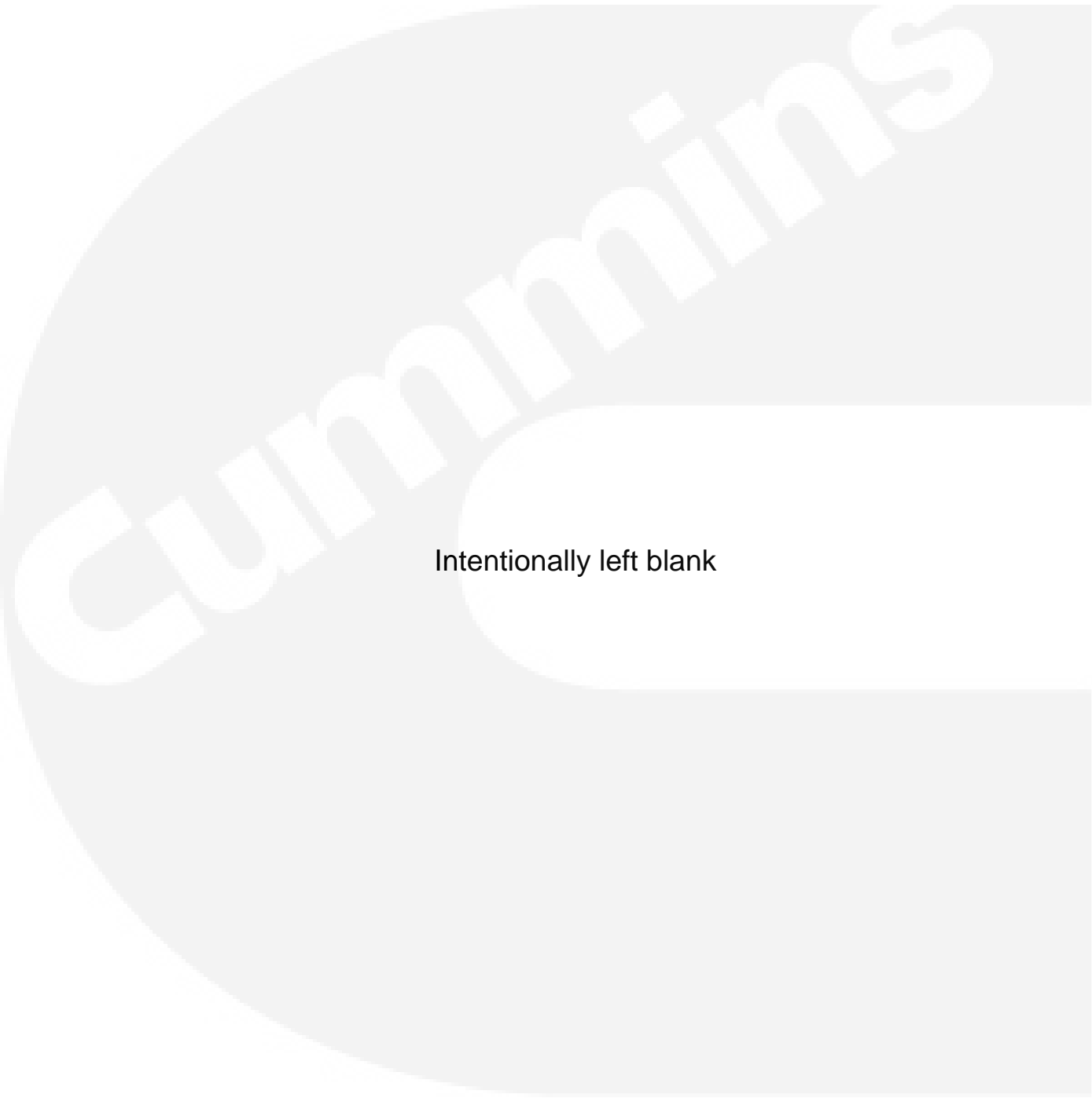
Radiator Instl



Item	Part Number	Description	Qty
1	0130-7541	Core -Radiator	1
2	0130-7542	Core -Cooler	1
3	0130-7543	Tank - Radiator (Bottom)	1
4	0130-7544	Tank - Radiator (Top)	1
5	0130-7545	Shroud - Fan	1
6	0130-7546	Guard - Belt (Charge Alt)	1
7	0130-7547	Guard - Pulley	1
8	0130-7548	Guard - Belt (Charge Alt)	1
9	0130-7549	Guard - Radiator Fan (RH)	1
10	0130-7550	Guard - Radiator Fan (LH)	1
11	0130-7551	Guard - Radiator (Stone)	1
12	0130-7552	Tube - Water (Bottom)	1
13	0130-7553	Tube - Water (Top)	1
14	0130-7554	Tube - Air (Botom)	1
15	0130-7555	Tube - Air (Top)	1
16	0503-2930	Clamp - Hose (Dia 57-76mm)	4
17	0503-2933	Clamp - Hose (Dia 44-64mm)	2
18	0517-0398	1/2" NPT Drain Tap	1
19	0130-7556	Gasket - Radiator (Core)	2
20	0130-7560	Tube - Radiator (Overflow)	1
21	0130-7387	Cap - Radiator 70 KPA	1
22	0130-7561	Tube - Radiator (Rubber Dia 60mm)	2
23	0130-7563	Tube - Radiator (Rubber Reducing Dia 76.1)	1
24	0130-7562	Tube - Radiator (Rubber Dia 76.2)	3
25	0503-2929	Clamp - Hose (Dia 97mm)	1
26	0503-2897	Clamp - Hose (Dia 84mm)	7
27	0130-7559	Tank - Radiator Cooler (Bottom)	1
28	0130-7558	Tank - Radiator Cooler (Top)	1
29	0503-2633-02	Drain Hose-Radiator	1
30	0503-2493	Hose Vent	1
31	0503-0685	Clamp-Hose (6mm-16mm)	1
32	0130-6055	Bracket-Radiator (Top Support)	1
33	0402-0828	Isolator-Vibration	1
34	0800-3017-44	Screw-Hex Head (M10 X 60)	3
35	0526-0399-63	Washer-Plain (Large) (M10)	1
36	0850-0114-55	Washer-Lock (M10)	5
37	0526-0399-62	Washer-Flat (M10)	4
38	0800-3017-36	Screw-Hex Head (M10 X 20)	2

Item	Part Number	Description	Qty
39	0402-0829	Isolator-Vibration	2
40	0800-0309-91	Screw-Hex Head (M5 X 25)	4
41	0526-0399-56	Washer-Flat (M5)	8
42	0850-0114-52	Washer-Lock (M5)	4
43	0862-0026-53	Nut-Hex (M5)	4

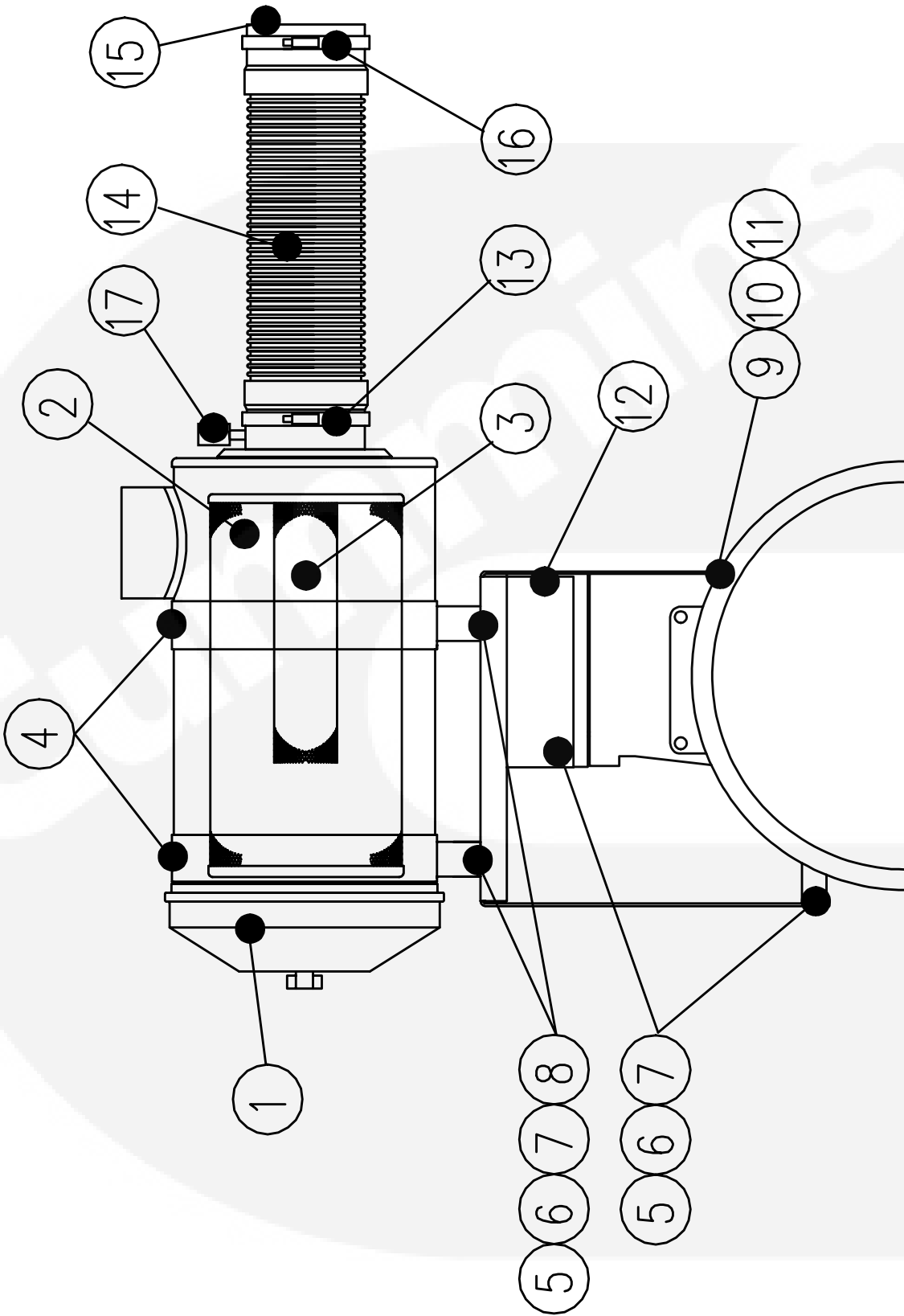




Intentionally left blank

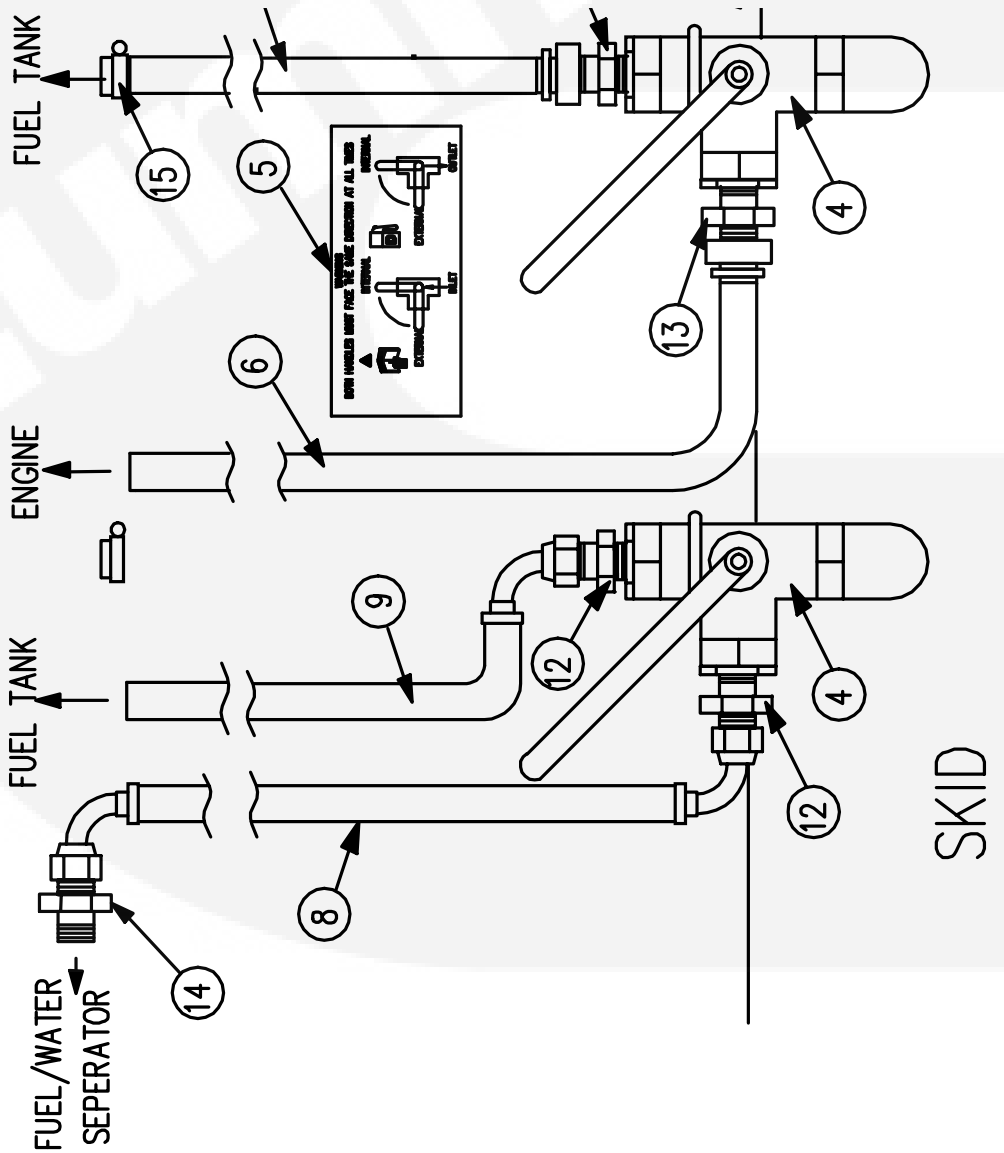


Air Cleaner Instl



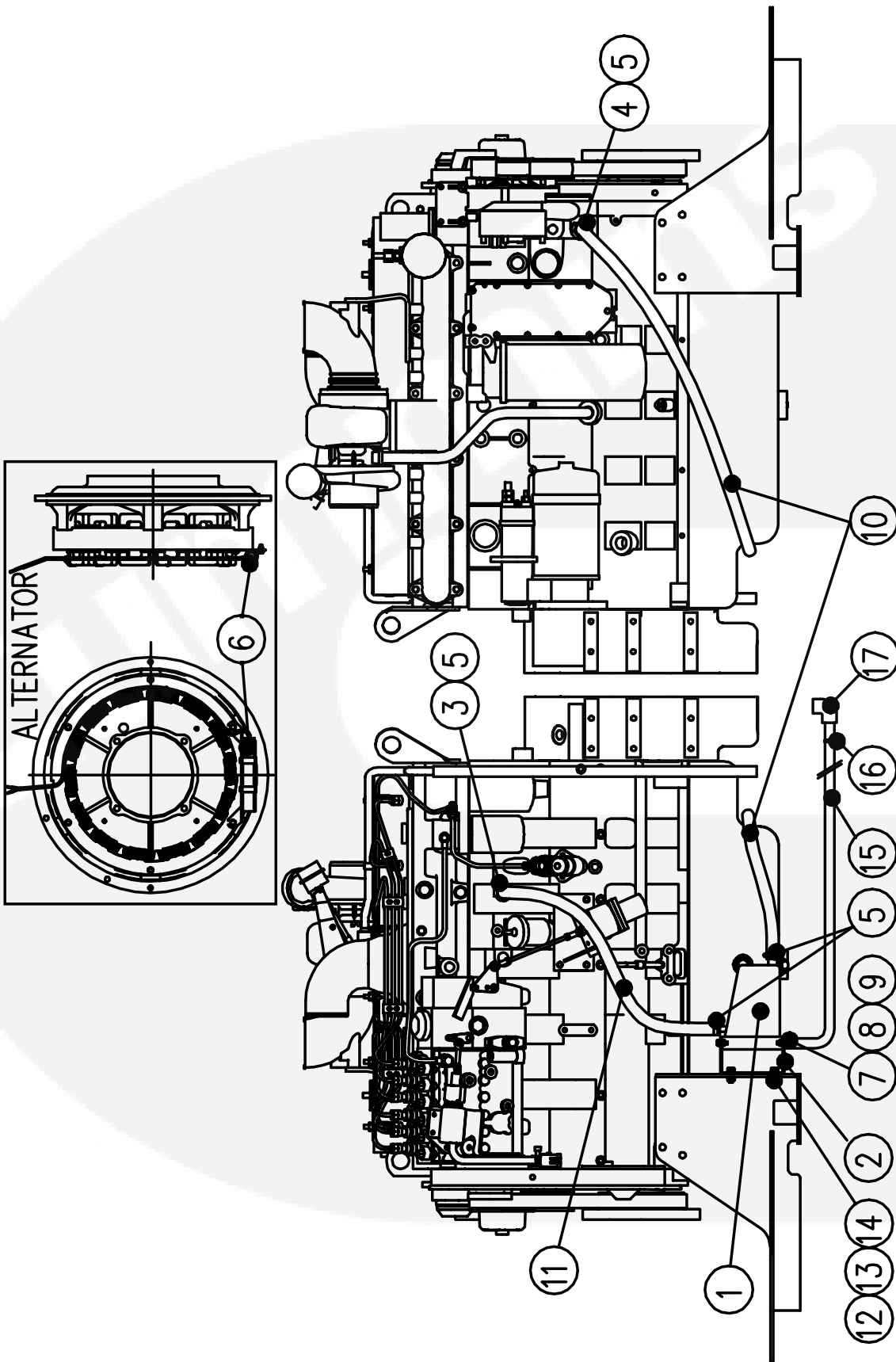
Item	Part Number	Description	Qty
1	0179-3596	Air Cleaner	1
2	0140-3591	Element-Air Cleaner (Primary)	1
3	0140-3881	Element-Air Cleaner (Secondary)	1
4	0140-3593	Band-Air Cleaner	2
5	0800-2111	Screw-Hex Head (M12 X 25)	7
6	0850-0114-56	Washer-Lock (M12)	7
7	0526-0399-64	Washer-Flat (M12)	11
8	0860-2010	Nut-Hex (M12)	4
9	0800-3017-20	Screw-Hex Head (M8 X 25)	1
10	0526-0399-61	Washer-Flat (M8)	1
11	0850-0114-54	Washer-Lock (M8)	1
12	0140-4019-02	Bracket-Air Cleaner	1
13	0140-3592	Clamp-Air Cleaner	1
14	0503-2481	Hose-Air	1
15	0140-3882	Adaptor-Air Cleaner	1
16	0140-3895	Clamp-Air Cleaner	1
17	0140-3556	Indicator-Service	1

Fuel System Instl



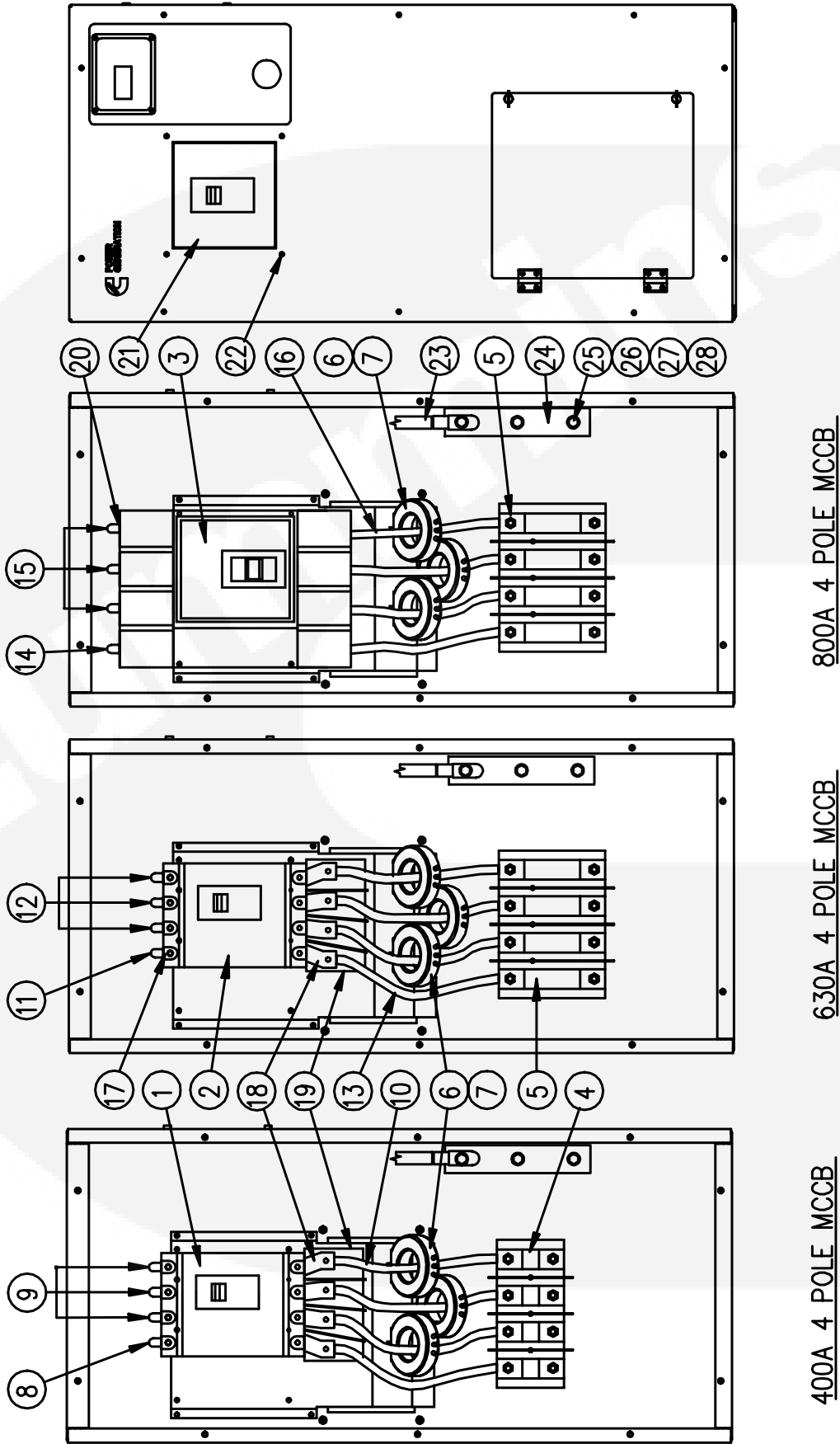
Item	Part Number	Description	Qty
1	0505-2141	Elbow-Pipe (1/2" BSP Short Rad)	2
2	0505-2142	Adapter-Pipe (1/2" BSP Bulkhead)	4
3	0502-1544	Coupling-Tube (Pull Break)	2
4	0504-0280-03	Valve-Ball (L Port) 1/2"	2
5	0098-8395	Warning Label	1
6	0501-0832	Line-Fuel	2
8	0501-0840	Line-Fuel (Inlet)	1
9	0501-0922	Line-Fuel	1
12	0502-1487	Union-Hose (3/8"BSP M/M)	2
13	0502-1484	Adapter-Hose (3/8"BSP-1/4"BSP M/M)	2
14	0505-2211	Adapter-Pipe M/M (M12-3/8"BSP)	1

Heater Instl (Engine & Alternator)



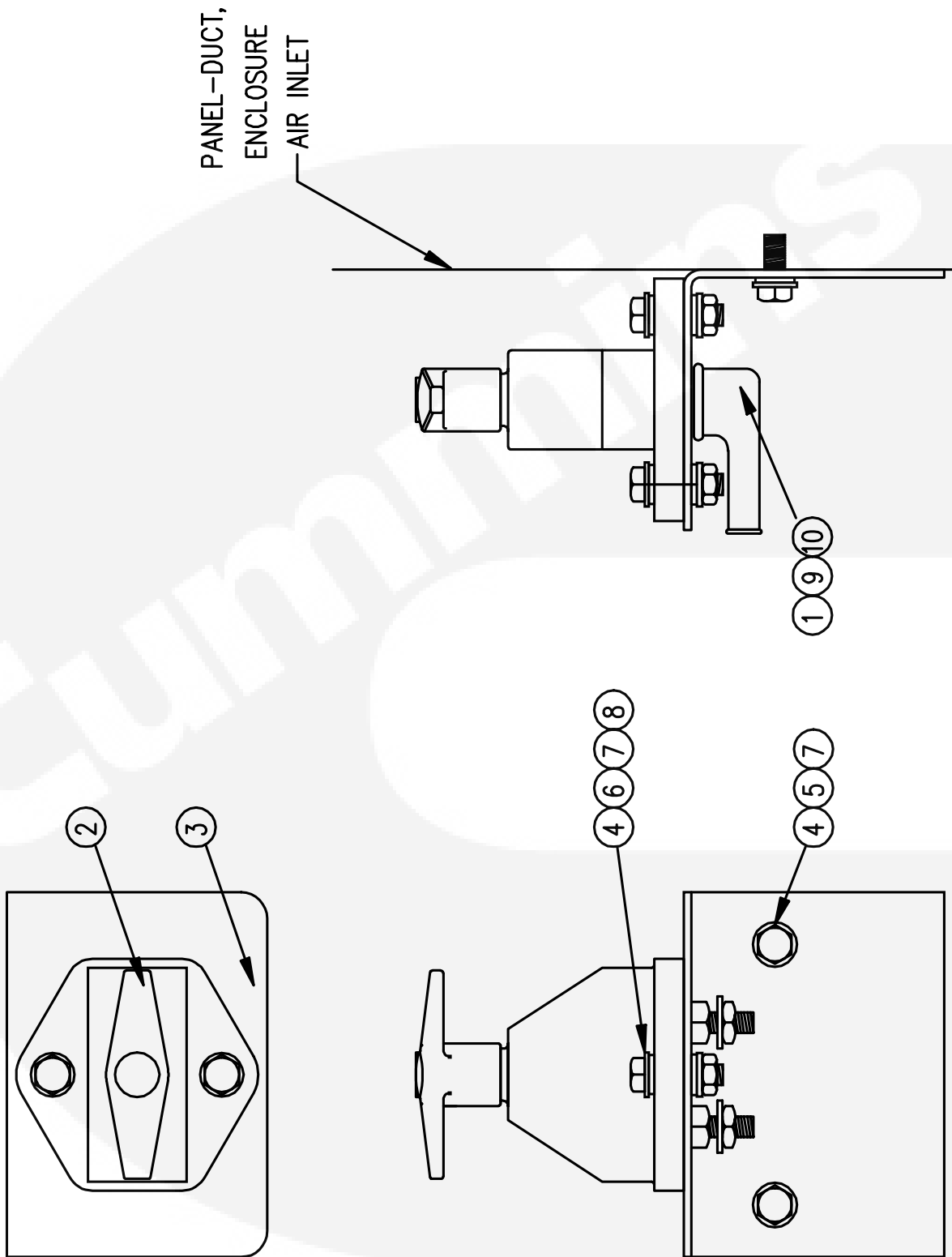
Item	Part Number	Description	Qty
1	0333-0690	Heater-Engine Coolant (240v)	1
2	0333-0689	Bracket-Heater	1
3	0502-1490	Connector-Hose	1
4	0502-1491	Connector-Hose	1
5	0503-2385	Clamp-Hose (1" - 1.3/4")	4
6	0133-0228	Heater-Air (240v)	1
7	0800-3017-06	Screw-Hex Head (M6 X 30)	4
8	0526-0399-58	Washer-Flat (M6)	8
9	0870-0506	Nut-Nyloc (M6)	4
10	0503-2474-37	Hose-Steam	1
11	0503-2474-17	Hose-Steam	1
12	0526-0399-60	Washer-Flat (M8)	2
13	0821-6003-02	Screw-Sems Tap/Scr (M8 X 20)	2
14	0870-2248-05	Nut-Nyloc (M8)	2
15	0331-0585-02	Conduit (Ø20mm)	2M
16	0332-1794	Tie-Cable	6
17	0331-0587-02	Elbow-Conduit (Ø20mm)	1

Circuit Breaker Instl



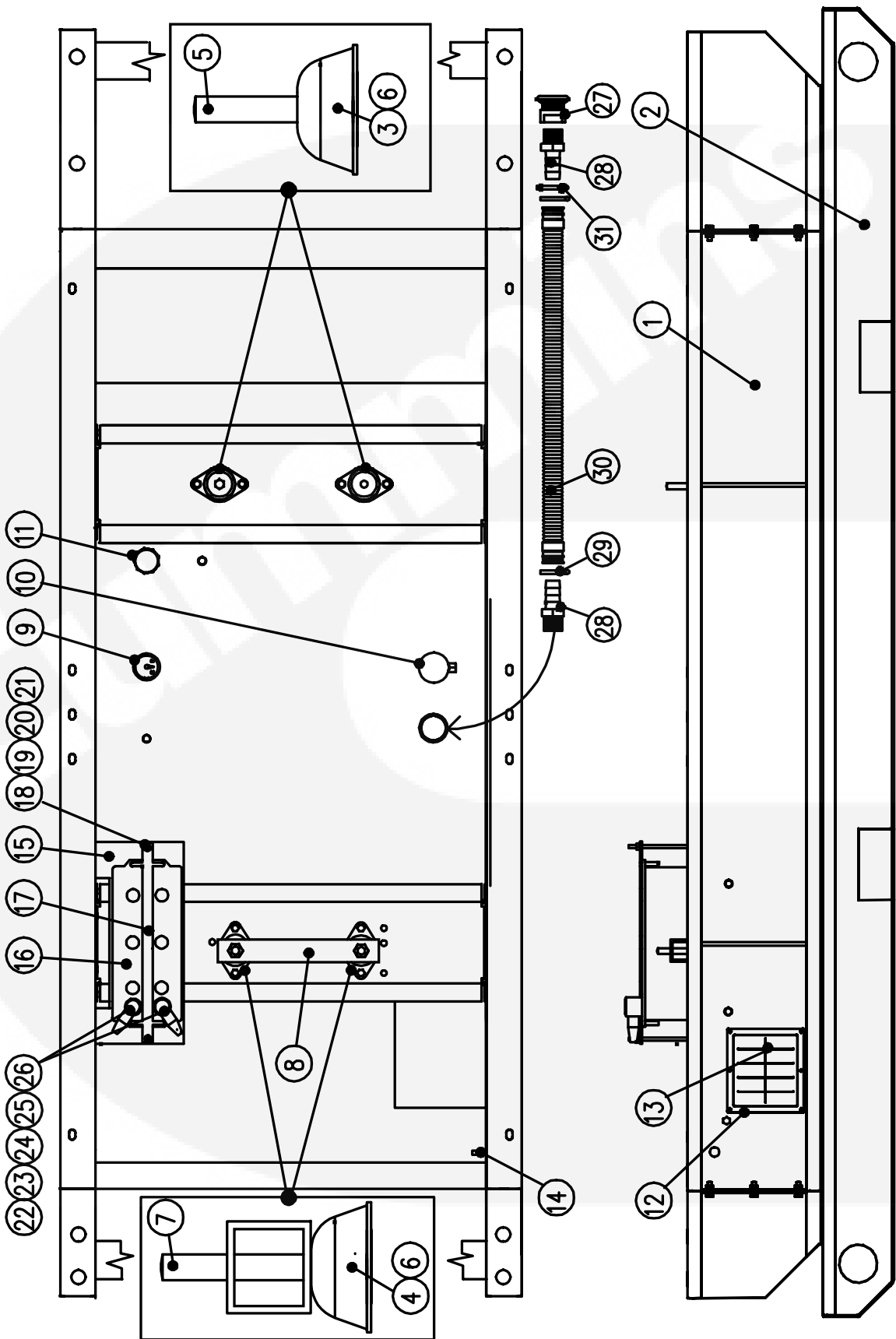
Item	Part Number	Description	Qty
1	0320-2120-02	Circuit Breaker-MCCB 400A 4P	1
2	0320-2120-04	Circuit Breaker-MCCB 630A 4P	1
3	0320-2062	Circuit Breaker-MCCB 800A 4P	1
4	0332-4126	Terminal Block (Power 400A)	1
5	0332-4139	Terminal Block (Power 800A)	1
6	0302-2055-12	Transformer-Current (1000/2000:5)	3
7	0332-0941	Tie-Cable	4
8	0226-4958-01	Lead (Power 50sq.mm.)	2
9	0226-4958-02	Lead (Power 50sq.mm.)	6
10	0226-4958-03	Lead (Power 50sq.mm.)	8
11	0226-4959-01	Lead (Power 95sq.mm.)	2
12	0226-4959-02	Lead (Power 95sq.mm.)	6
13	0226-4959-03	Lead (Power 95sq.mm.)	8
14	0226-4960-01	Lead (Power 95sq.mm.)	2
15	0226-4960-02	Lead (Power 95sq.mm.)	6
16	0226-4960-03	Lead (Power 95sq.mm.)	8
17	0320-2119-02	Bare Cable Connectors	1
18	0320-2119-04	Spreader Terminal Kit	1
19	0320-2119-08	Insulation Screen	1
20	0320-2080	Bare Cable Connectors 4P	2
21	0319-5875-02	Cover-MCCB 400 & 600A	1
22	0821-6002-02	Screw-Sems Tap/Scr (M6 X 12)	4
23	0337-3781-02	Ground Strap	1
24	0337-3746	Bus Bar-Ground	1
25	0800-3017-44	Screw-Hex Head (M10 X 60)	3
26	0526-0399-63	Washer-Flat (M10)	6
27	0850-0114-55	Washer-Lock (M10)	3
28	0862-0026-56	Nut-Hex (M10)	3

Battery Isolator Instl



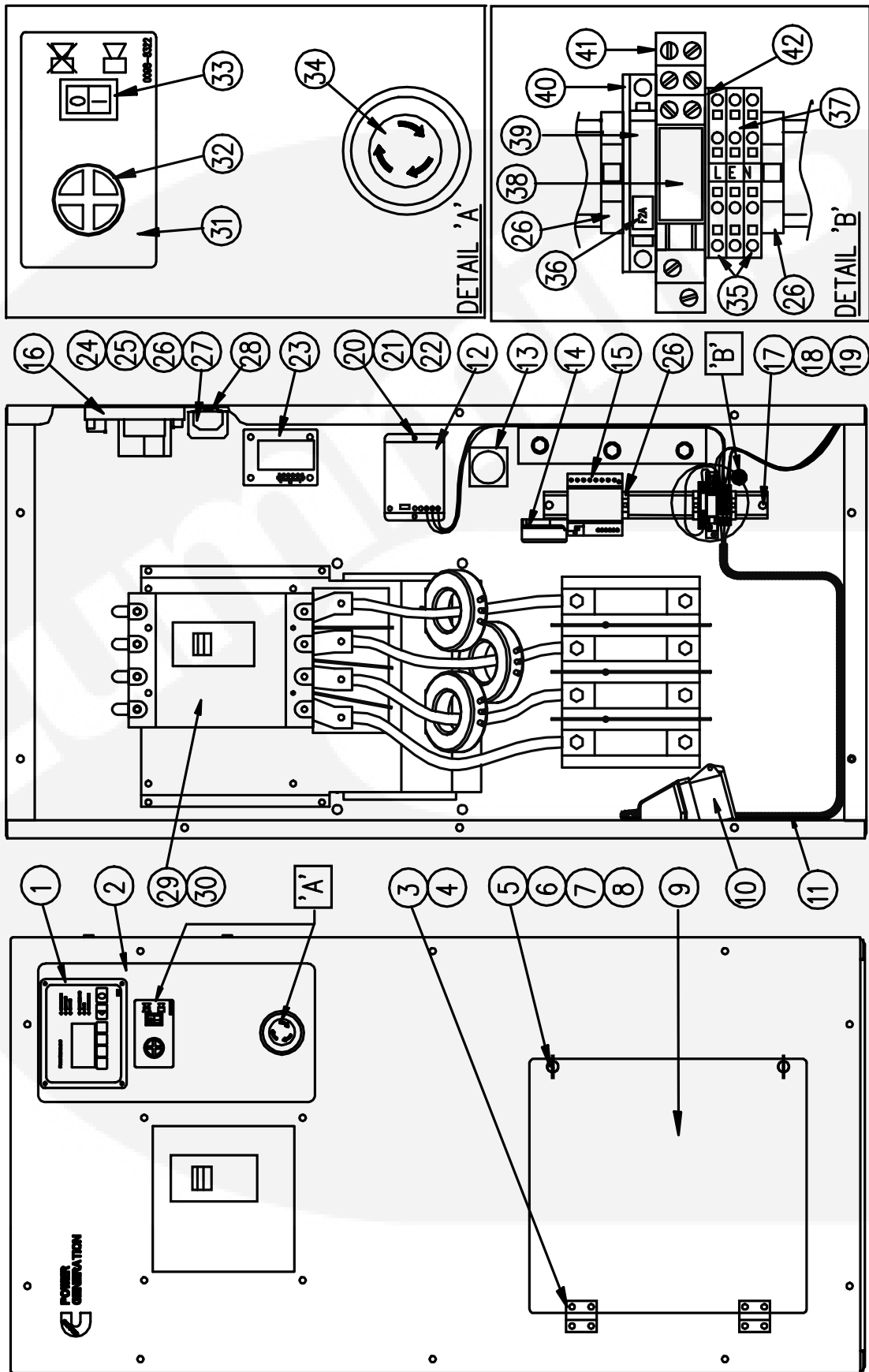
Item	Part Number	Description	Qty
1	0323-2083	Boot-Connector	2
2	0416-1314	Isolator	1
3	0416-1317-02	Bracket-Isolator	1
4	0526-0399-60	Washer-Flat (M8)	6
5	0800-3017-19	Screw-Hex Head (M8 X 20)	2
6	0800-3017-21	Screw-Hex Head (M8 X 30)	2
7	0850-0114-54	Washer-Lock (M8)	4
8	0862-0026-55	Nut-Hex (M8)	2
9	0416-1322	Cable (-ve)-(To Engine)	1
10	0416-1323	Cable (-ve)-(To Battery)	1

Skid Instl



Item	Part Number	Description	Qty
1	0403-5778	Skid Assy	1
2	0403-5978	Skid Assy	1
3	0402-0779-07	Isolator-Vibration	2
4	0402-0779-05	Isolator-Vibration	2
5	0800-0163	Screw-Hex Head (3/4"UNC X 4")	2
6	0517-0094	Plug	4
7	0800-0607	Screw-Hex Head (3/4"UNC X 2")	2
8	0403-5268-02	Spacer-Generator	1
9	0193-0584	Gauge-Level	1
10	0309-0707-05	Switch-Level (Fuel 220mm)	1
11	0159-1681	Cap-Filler	1
12	0403-6006-02	Plate-Skid	1
13	0508-1233	Grommet	1
14	0520-2668	Stud-Ground (M12 X 100)	1
15	0416-1318-02	Tray-Battery	1
16	0416-1158	Battery	1
17	0416-1228-02	Holder-Battery	1
18	0416-1229-02	Rod-Battery Holddown	2
19	0862-0026-54	Nut-Hex (M6)	4
20	0526-0399-58	Washer-Flat (M6)	1
21	0850-0114-53	Washer-Lock (M6)	4
22	0416-1141	Boot-Battery	2
23	0416-1203	Clamp-Battery Post +Ve	1
24	0416-1204	Clamp-Battery Post -Ve	1
25	0416-1321	Cable-Battery (+Ve)	1
26	0416-1323	Cable-Battery (-Ve) (To Isolator Sw)	1
27	0159-1633	Vent-Fuel Tank	1
28	0502-1546	Connector-Hose (2")	2
29	0503-2373	Jubilee Clip (50-70mm Dia)	2
30	0503-2655	Hose-Vent (2")	1
31	0518-0742	Clamp-U (60mm OD)	1

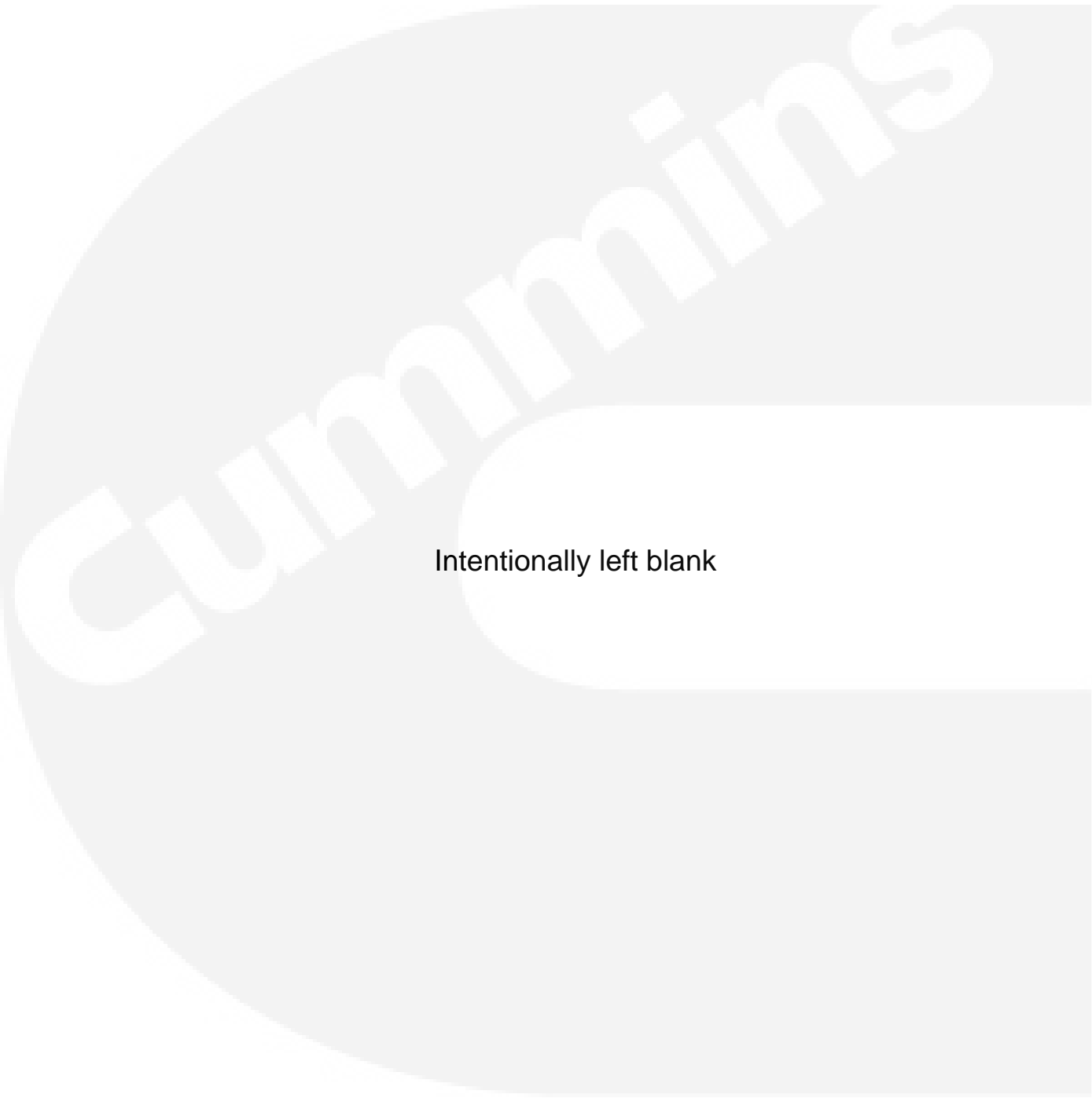
Control Assy



Item	Part Number	Description	Qty
1	0300-6014	Control Assy - Display	1
2	0098-8425	Label-Information	1
3	0406-1095	Hinge	2
4	0814-2156-05	Screw-Flange Slotted (M5 X 20)	4
5	0406-1096	Fastener	2
6	0406-1097	Fastener-Retainer	2
7	0406-1098	Fastener-Recepticle	2
8	0406-1099	Fastener-Wear Washer	2
9	0319-5853-02	Cover	1
10	0323-2293	Connector-Plug	1
11	0338-4668	Harness-AC	1
12	0416-1300	Charger-Battery	1
13	0319-5980-02	Plate-Mounting	1
14	0135-1607-03	Transformer-Current	1
15	0307-3114	Earth Fault Relay-(Kit-Relay,Harness & Bracket)	1
16	0327-1513-01	PCB Assy (PCC1301)	7
17	0800-0309-88	Screw-Hex Head (M5 X 12)	2
18	0526-0399-56	Washer-Flat (M5)	2
19	0850-0114-52	Washer-Lock (M5)	2
20	0800-0309-76	Screw-Hex Head (M4 X 16)	2
21	0526-0399-55	Washer-Flat (M4)	2
22	0850-0114-51	Washer-Lock (M4)	2
23	0327-1507	PCB Assy (Dynamo Gov)	1
24	0332-3923-01	Terminal Block (Wago)	2
25	0332-3925-01	Jumper-Terminal (Wago, 2-Way)	1
26	0332-3926	Terminal Block (End Stop)	7
27	0332-3927-01	Terminal Block (End Plate)	2
28	0332-4001-02	Rail-Terminal Block	1
29	0320-1981-52	Shunt Trip 12V DC (400A & 630A MCCB)	1
30	0320-2077	Shunt Trip 12V DC (800A MCCB)	1
31	0098-8322	Label-Information	1
32	0300-5937	Module-Alarm	1
33	0308-1191	Switch-Rocker	1
34	0308-1178	Switch-Pushbutton E/Stop	1
35	0332-3923-03	Terminal Block (Wago)	2
36	0321-0394-02	Fuse 2A	1
37	0332-4036-03	Terminal Block (Wago)	1
38	0307-3046	Relay-2P 12v-(G2R2SN).	1

Item	Part Number	Description	Qty
39	0332-3944	Terminal Block-Fuse	1
40	0332-3945	Terminal Block-End Plate	1
41	0249-0814	Relay Base-2P	1
42	0332-3927-02	Terminal Block (End Plate)	1

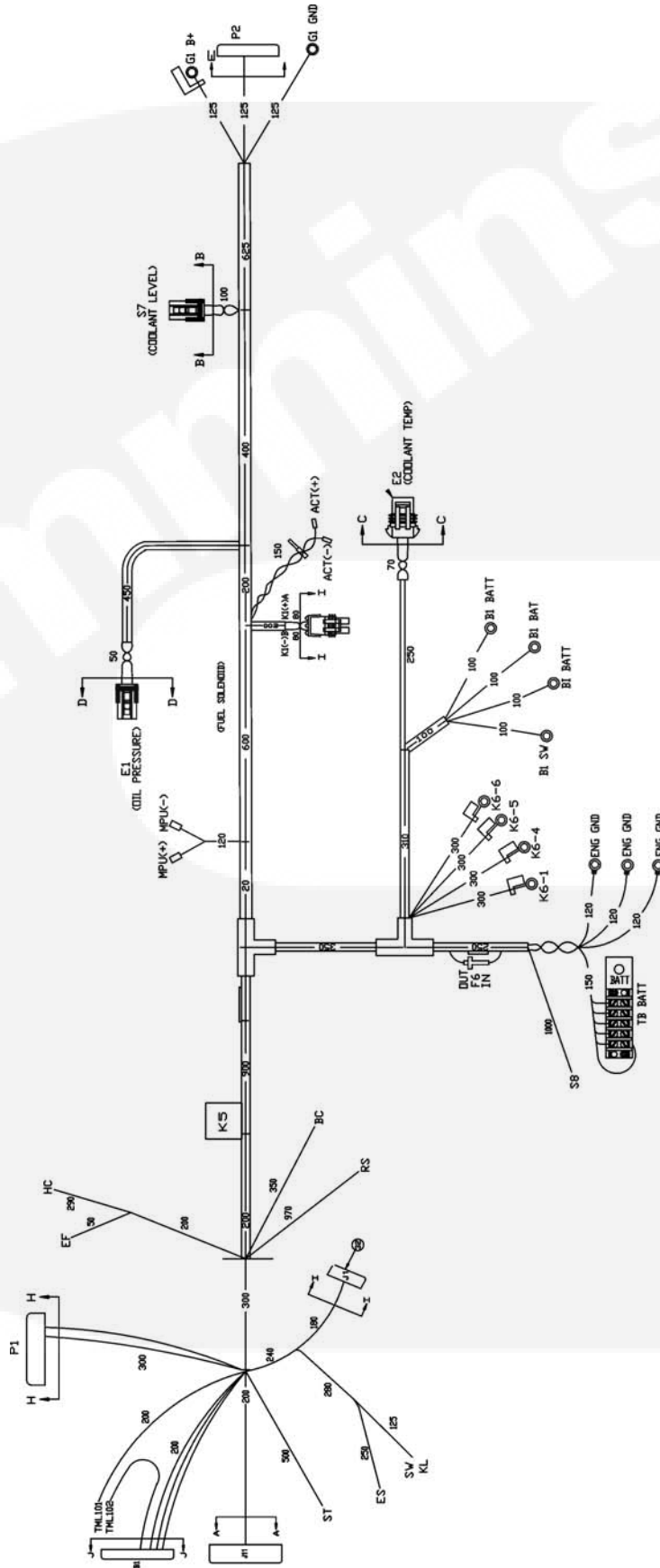




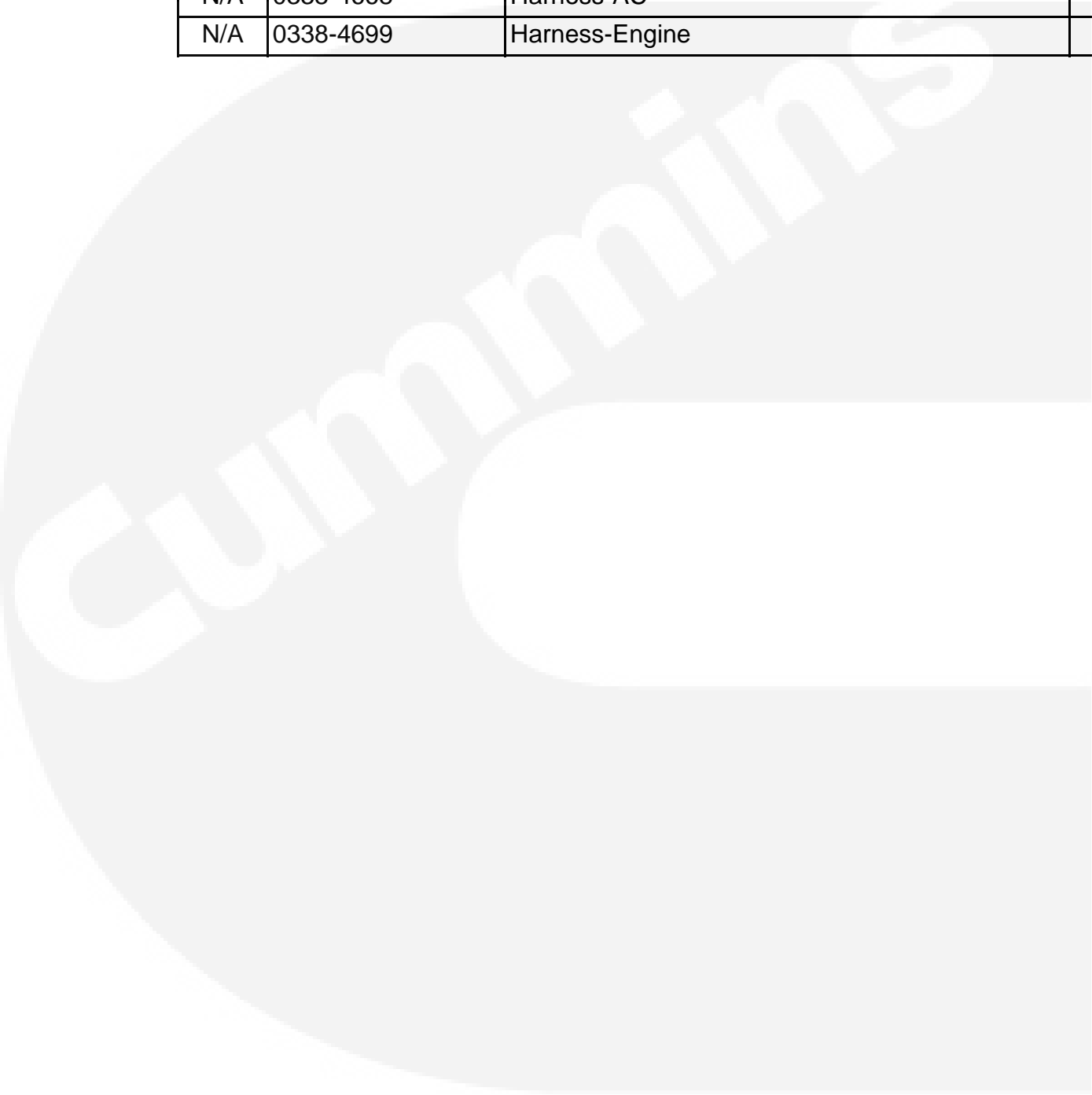
Intentionally left blank



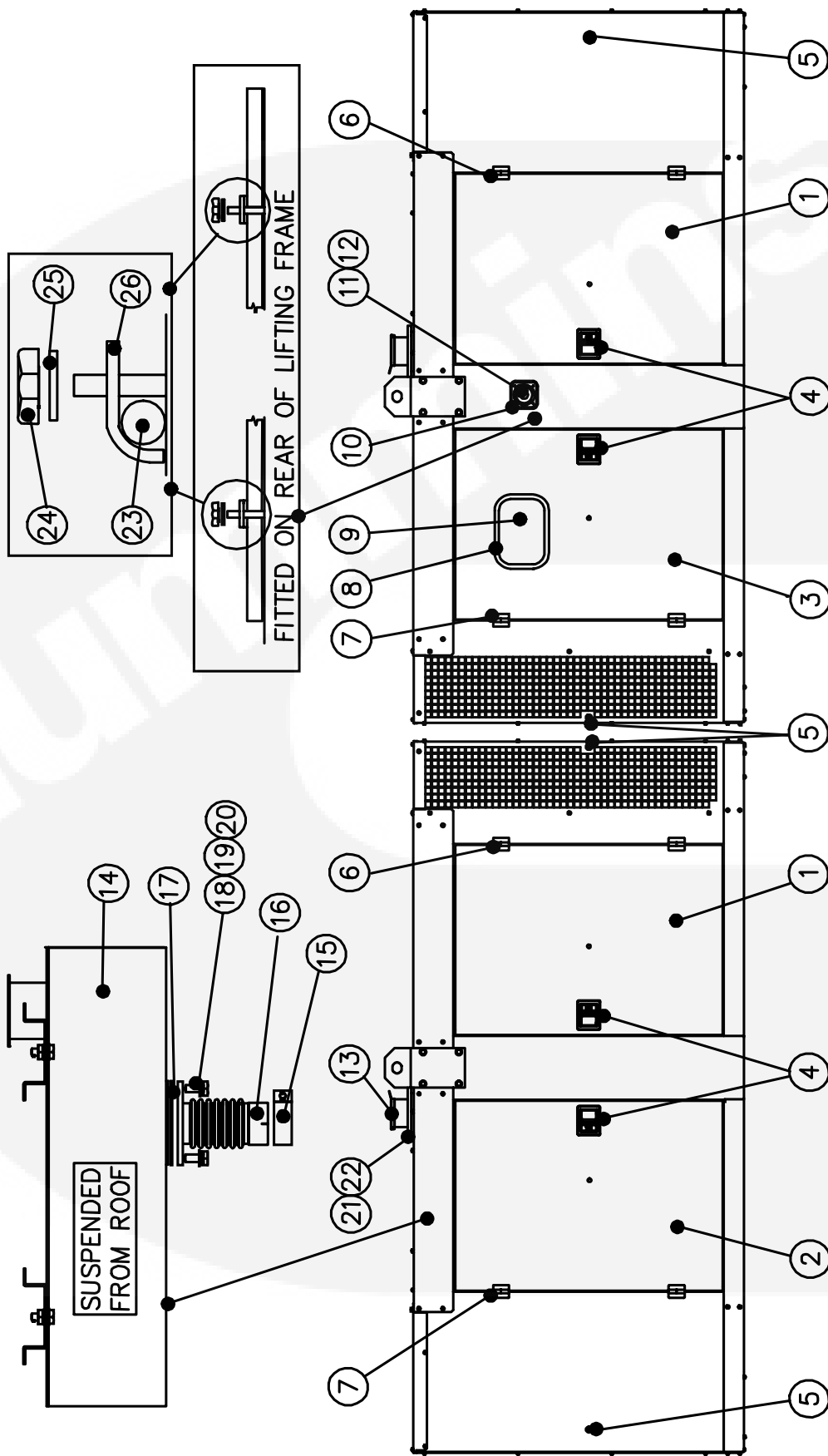
Harness - Engine.



Item	Part Number	Description	Qty
N/A	0338-4522	Harness-Alarm	1
N/A	0338-4530	Harness-AC (Battery Charger)	1
N/A	0338-4664	Harness-AC (Volts Sense)	1
N/A	0338-4665	Harness-AC (CT Sense)	1
N/A	0338-4668	Harness-AC	1
N/A	0338-4699	Harness-Engine	1

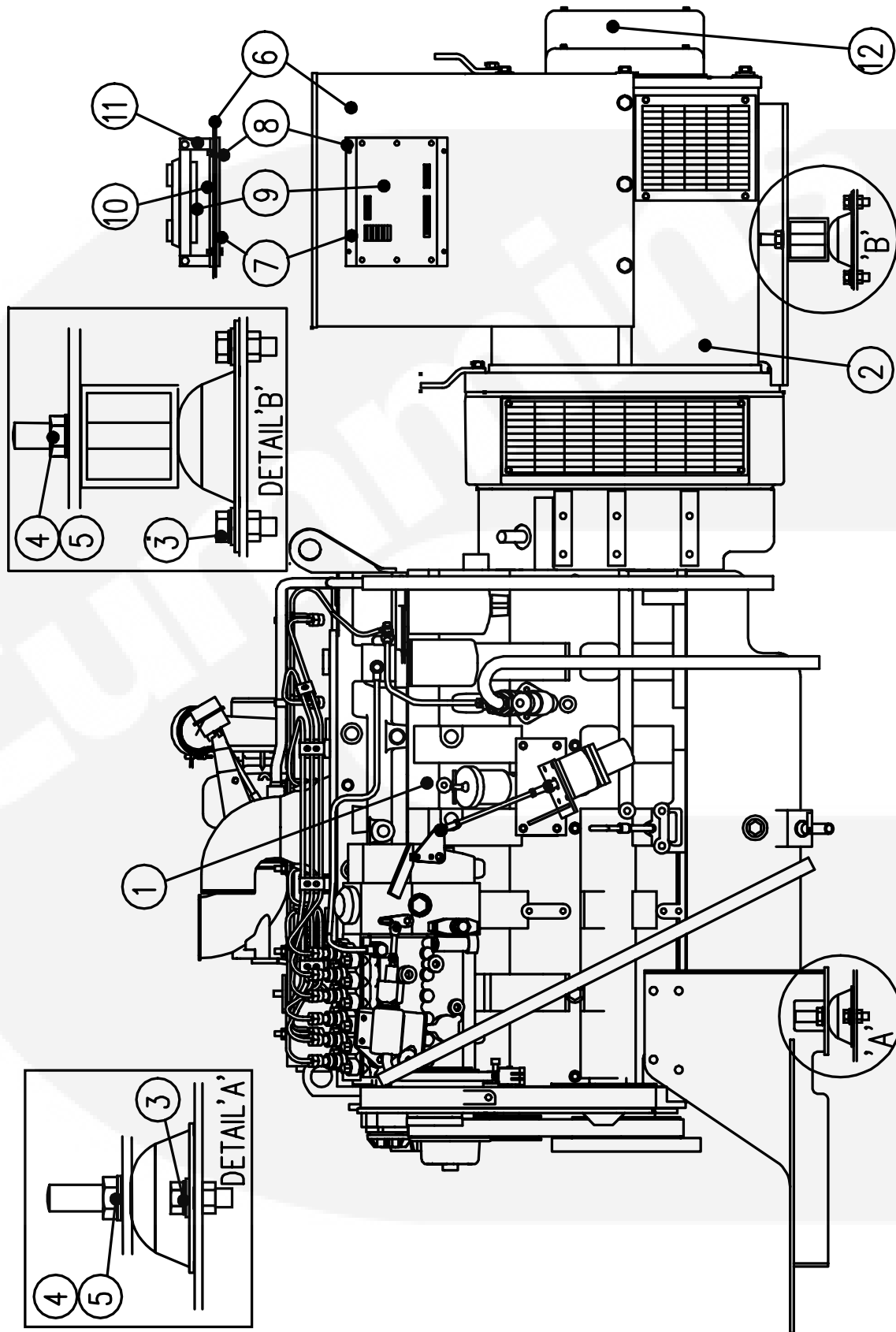


Enclosure Assy



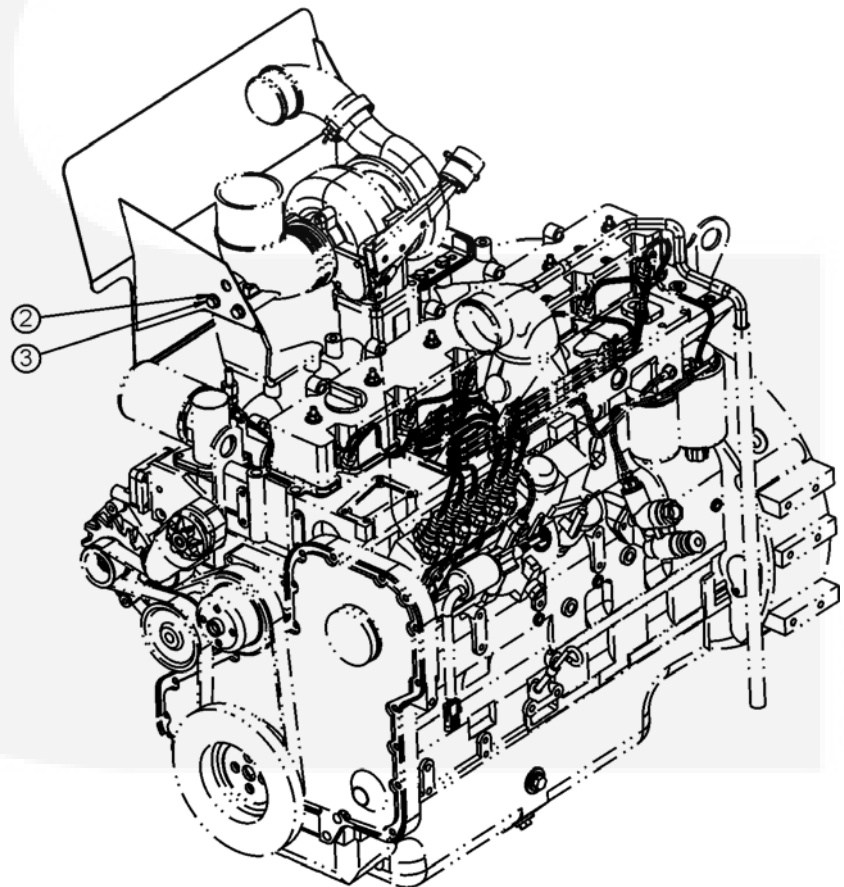
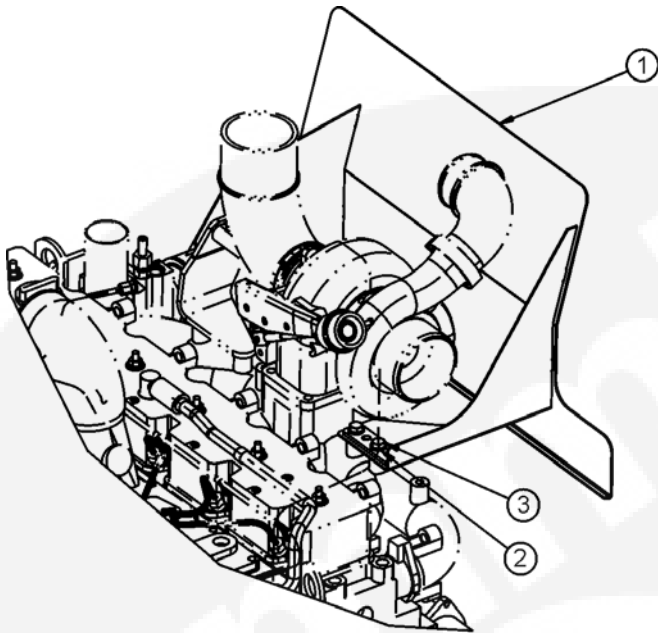
Item	Part Number	Description	Qty
1	0405-9111-01	Door-Access (Assy)	2
2	0405-9111-02	Door-Access (Assy)	1
3	0405-9108	Door-Access (Window Assy)	1
4	0406-1059	Latch-Door	4
5	0406-1077	Door-Stop (Rubber)	4
6	0406-1051	Hinge-LH	4
7	0406-1052	Hinge-RH	4
8	0508-1200	Edging-Window	1
9	0405-7915	Window-Enclosure	1
10	0319-5262	Cover-Switch (E-Stop)	1
11	0308-1175	Switch-Push Button	1
12	0098-8025	Label-Information	1
13	0155-4274	Cap-Rain	1
14	0155-4242	Muffler	1
15	0155-4229	Clamp-Exhaust	1
16	0155-4232	Pipe-Exhaust (Kit)	1
17	0155-4273	Gasket-Exhaust	1
18	0800-3017-70	Screw-Hex Head (M16 X 30)	4
19	0526-0399-66	Washer-Flat (M16)	4
20	0850-0114-57	Washer-Lock (M16)	4
21	0155-4389-03	Bracket-Rain Shield	1
22	0155-4390-03	Flange-Exhaust	1
23	0337-3758	Rod-Ground	1
24	0337-3933	Hold Down-Clamp	2
25	0526-0399-58	Washer-Flat (M6)	2
26	0865-0030	Nut-Wing (M6)	2

Genset Assy

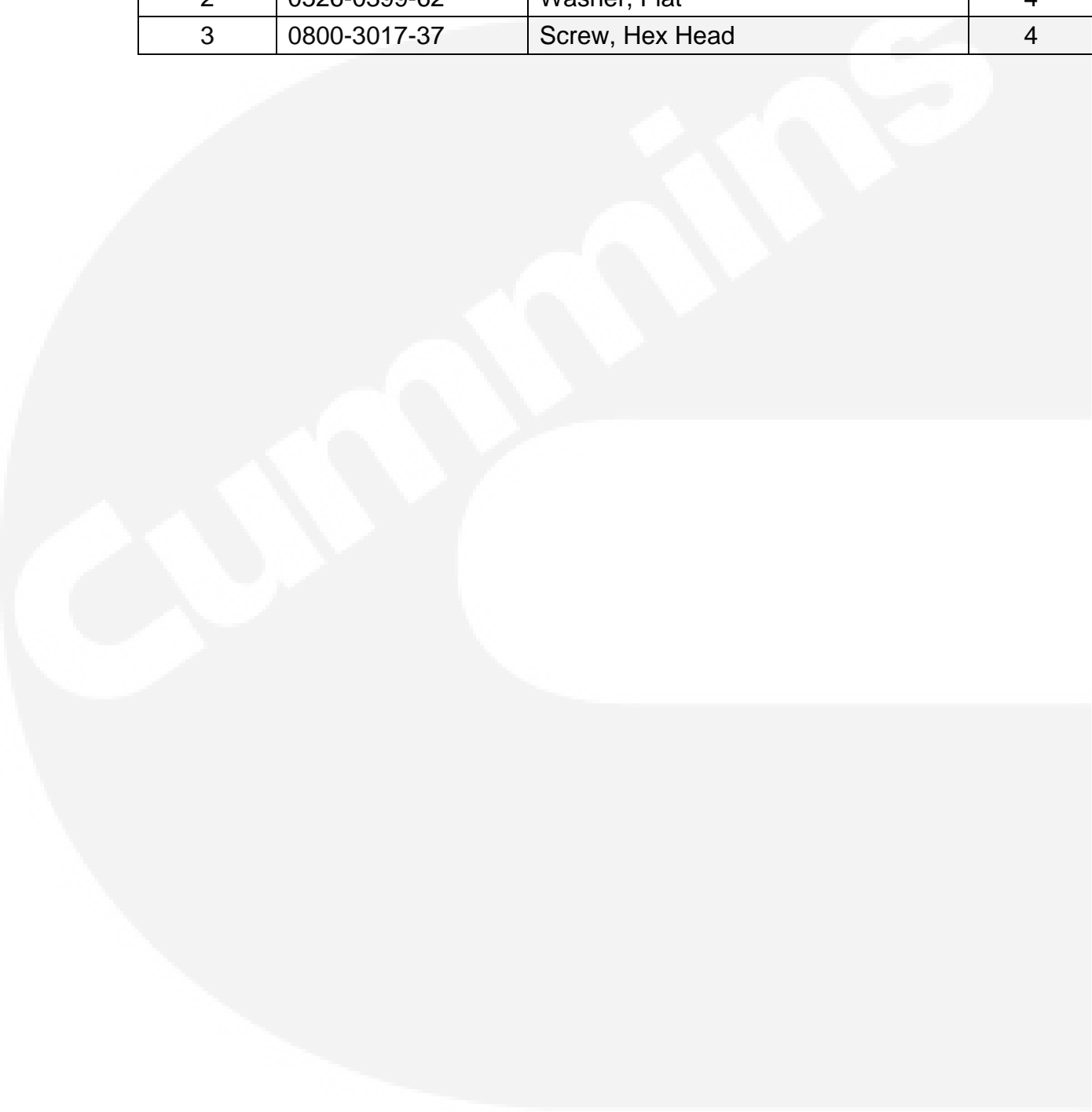


Item	Part Number	Description	Qty
1	0100-3771-07	Engine-6CTAA8.3G2	1
2	0200-3112-06	Alternator-UC274F	1
3	0821-2077	Screw-Lock Head Flange (M12 X 30)	8
4	0526-0238-01	Washer-Flat (3/4")	4
5	0870-0255	Nut-Self Lock (3/4"UNC)	4
6	0319-5946	Alternator Terminal Box	1
7	0319-5933	Cover-Terminal Box	1
8	0821-6002-02	Screw-SEMS (M6 X 12)	4
9	0305-1023	Regulator-Voltage Assy	1
10	0319-5933-02	Cover-AVR (Polycarbonate)	1
11	0305-1024	Mounting Assy-AVR	1
12	0200-3129	PMG Assy (option)	1

Heat Shield



Sr. No.	Part Number	Description	Qty.
1	A030J544	Shield, heat	1
2	0526-0399-62	Washer, Flat	4
3	0800-3017-37	Screw, Hex Head	4



Cummins Power Generation
1400 73rd Avenue NE
Minneapolis
MN 55432
USA

Tel:+1 (763) 574-5000
Fax:+1 (763) 574-5298

e-mail: pgamail@cummins.com

Web: www.cumminspower.com

Cummins Power Generation
35A/1/2, Erandawana
Pune 411 038
India

Tel.: (91 020) 6602 7525
Fax: (91 020) 6602 8090

e-mail: cpgindia@cummins.com

Web: www.cumminspower.com

Cummins Power Generation
Columbus Avenue
Manston Park
Manston
Ramsgate
Kent CT12 5BF
United Kingdom

Tel:+44 (0) 1843 255000
Fax:+44 (0) 1843 255902

e-mail: cpgk.uk@cummins.com

Web: www.cumminspower.com

Cummins Power Generation
Rua Jati, 310 - Cumbica
Guarulhos –SP
Brasil
CEP: 07180-900

Tel.: (55 11) 2186 4195
Fax: (55 11) 2186 4729

e-mail: falecom@cumminspower.com.br

Web: www.cumminspower.com

Cummins Power Generation
10 Toh Guan Road #07-01
TT International Tradepark
Singapore 608838

Tel: (65) 6417 2388
Fax:(65) 6417 2399

e-mail: cpg.apmktg@cummins.com

Web: www.cumminspower.com

Cummins®, the “C” logo, and “Our energy working for you.”
are trademarks of Cummins Inc.

©2010 Cummins Power Generation, Inc. All rights reserved

