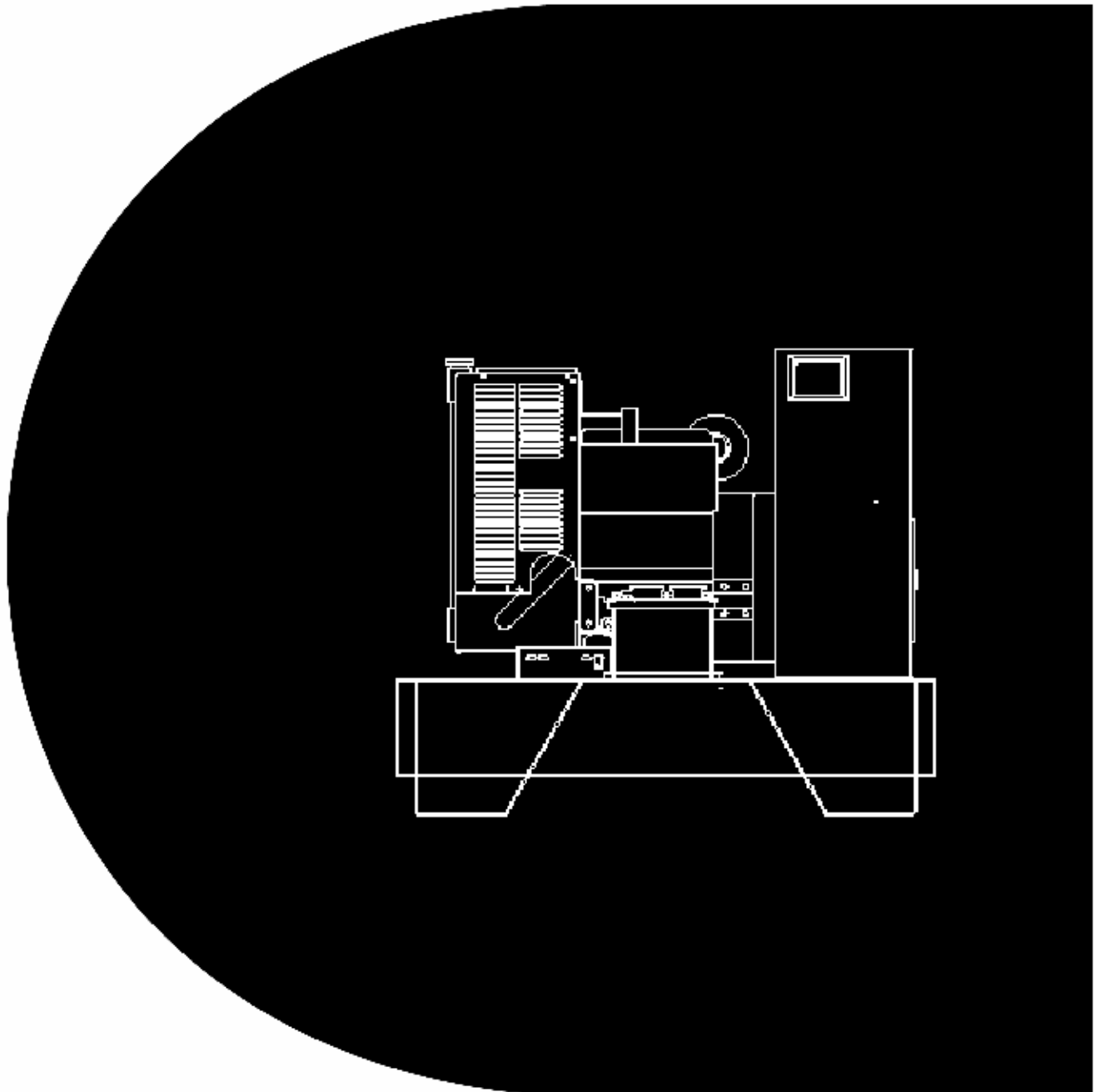


Parts Catalogue

Generating Set

C22 D5 and C25 D6 (PCC1300 and 1301)

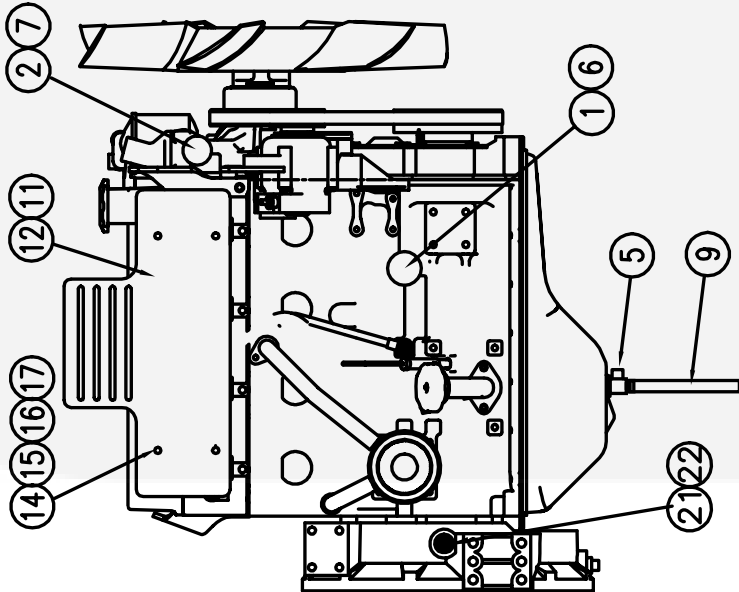
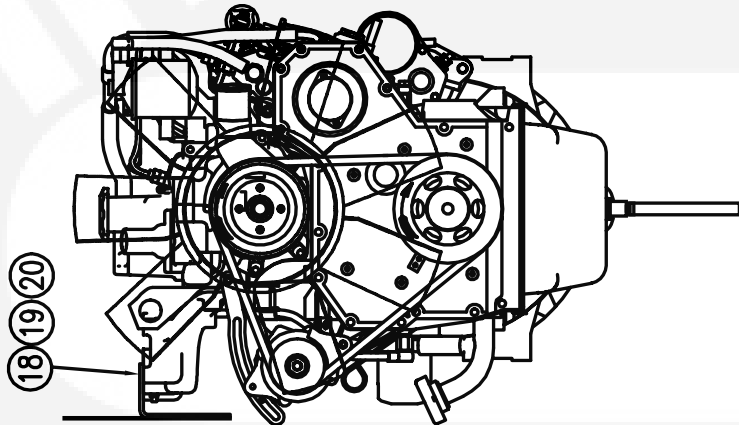
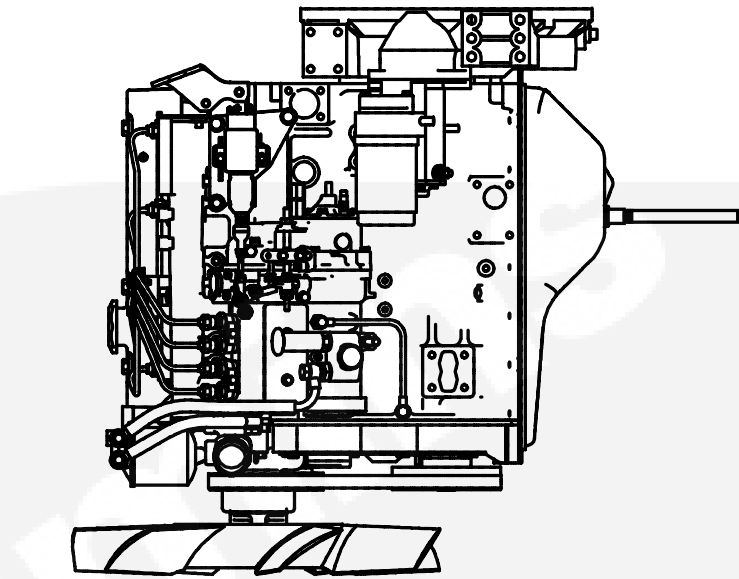
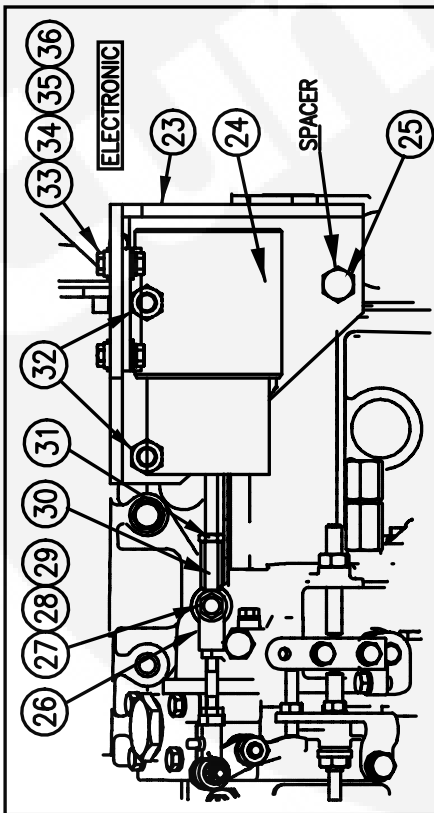
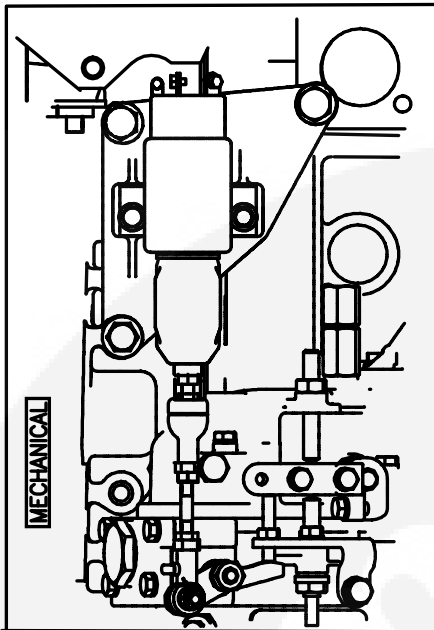


CONTENTS

0100-3921	Engine-Accessories	5
0179-3766	Battery Charger Instl	7
0179-3771	Miniature Circuit Breaker Instl	9
0179-3772	Circuit Breaker Instl	11
0179-3773	Transformer Instl	13
0179-3782	Air Cleaner Instl	15
0179-3786	Engine Heater	17
0179-3807	Radiator Instl-Denso	19
0179-3825	Genset Instl (Denso Radiator)	21
0179-4129	Skid Instl (With Tank)	23
0179-4489	Radiator Instl-SRF	25
0179-4498	Genset Instl (SRF Radiator)	27
0300-5900	Control Assy (PCC1300/1301)	29
0405-8210	Enclosure Assy	31
0541-1161	Loose Muffler Option	32

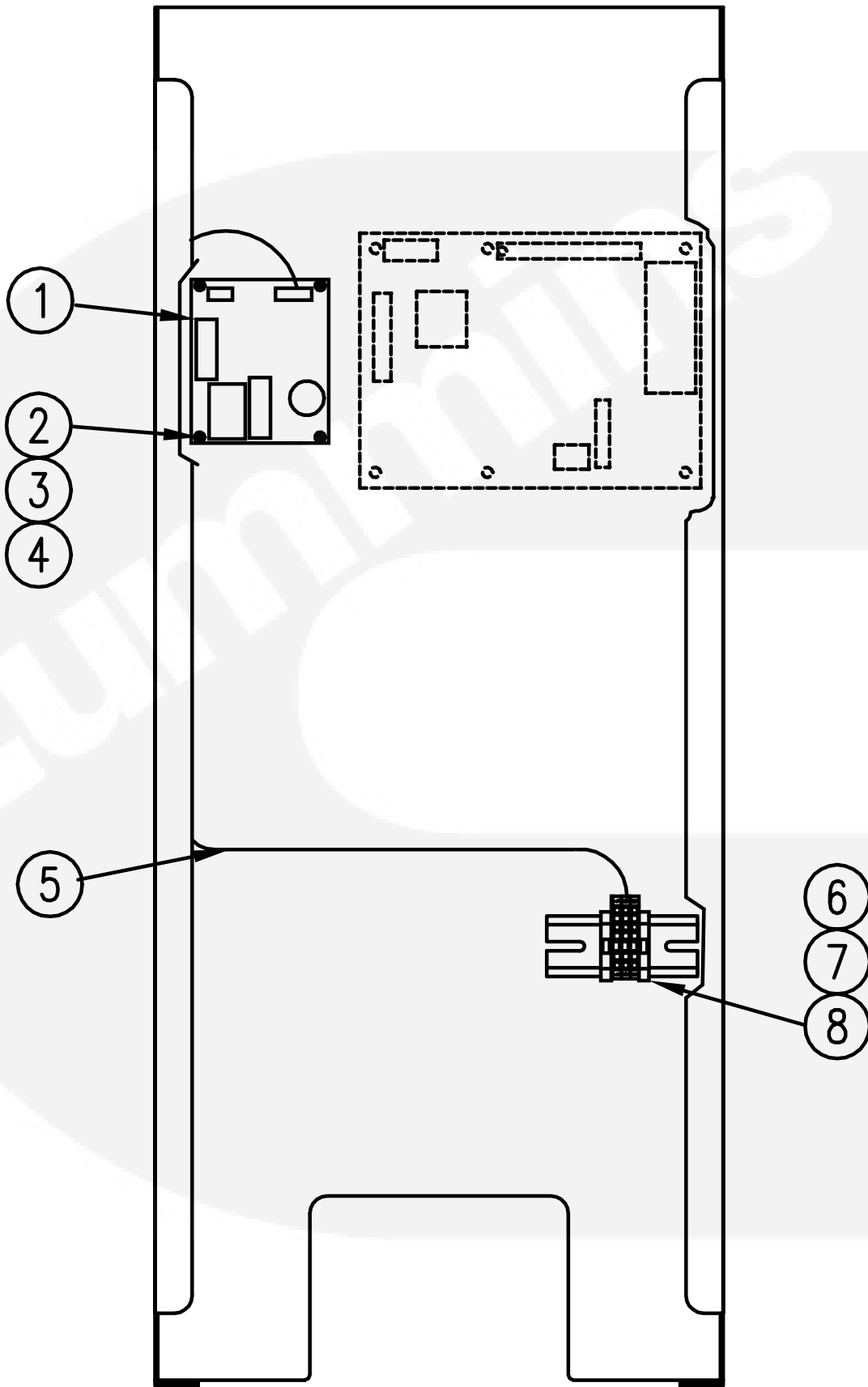


Engine-Accessories



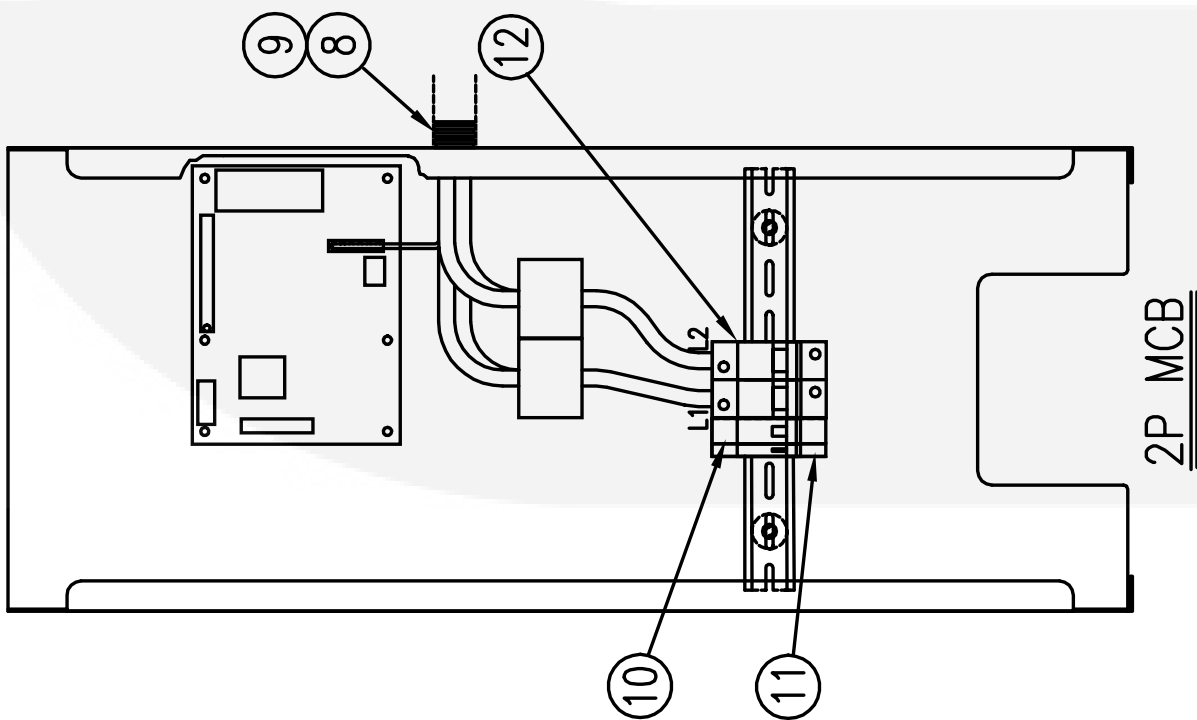
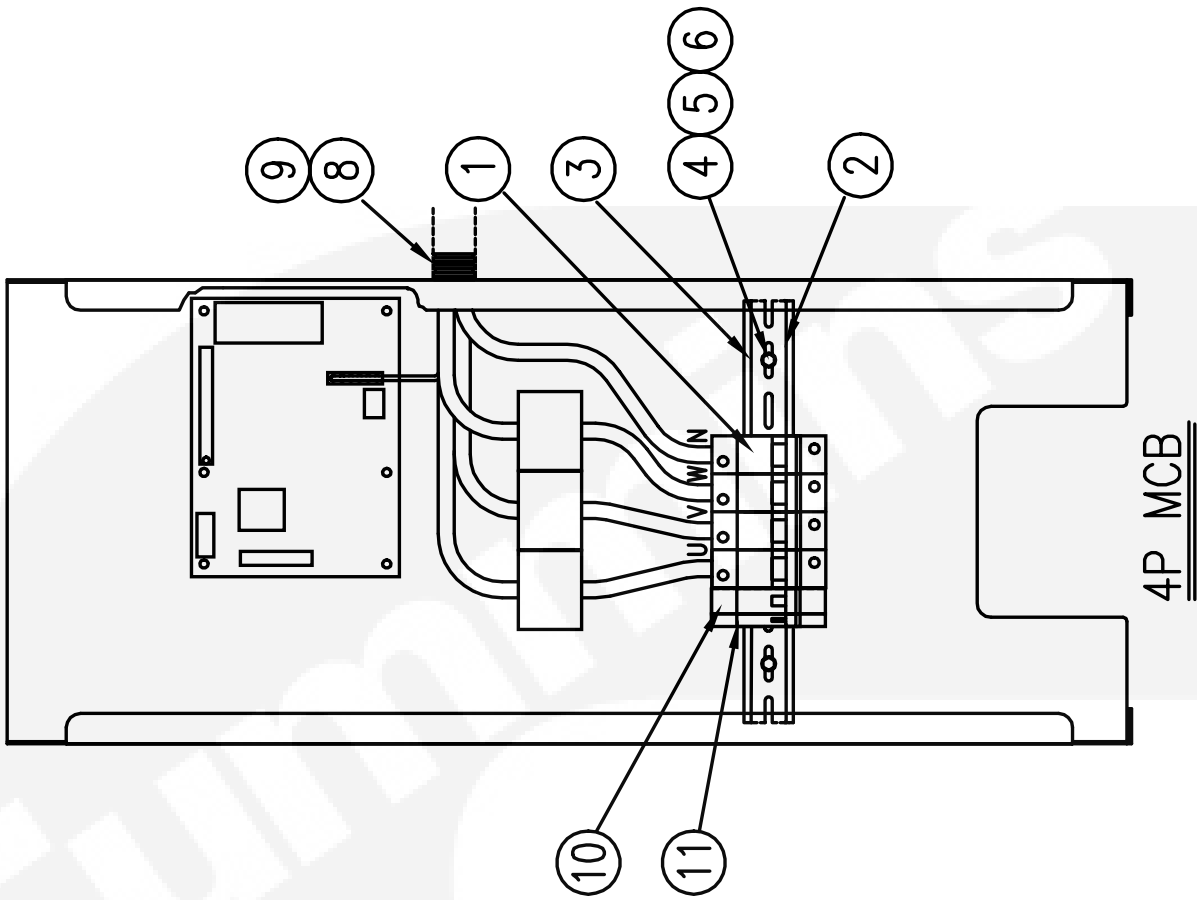
Item	Part Number	Description	Qty
1	0193-0430-01	Sender-Pressure	1
2	0193-0432	Sender-Temperature (E2, E4)	1
3	0337-3583-03	Earth Lead-16sqmm Braid	2
4	0338-4487	Harness-Engine (Mechanical Governor)	1
4	0338-4720	Harness-Engine (Electronic Governor)	1
5	0504-0264-01	Valve-Hydraulic (Oil)	1
6	0505-2235	Adaptor-Pipe	1
7	0505-0019	Bushing-Reducer	1
9	0502-1507	Adapter-Hose (Oil)	1
10	0524-0826	Sealant-Thread 577 (250ml)	0.008
11	0155-4311-02	Guard-Exhaust	1
12	0155-4215	Bracket-Heat Shield	2
14	0526-0399-60	Washer-Flat (M8)	4
15	0800-3017-19	Screw-Hex Head (M8 X 20)	2
16	0850-0114-54	Washer-Lock (M8) 716370	2
17	0862-0026-55	Nut-Hex (M8)	2
18	0526-0399-62	Washer-Flat (M10) 716011	2
19	0800-3017-37	Screw-Hex Head (M10 X 25)	2
20	0850-0114-55	Washer-Lock (M10)	2
21	0502-1400-02	Adapter-Bushing	1
22	0150-2651	Speed Sensor-Mag	1
23	0150-2780-02	Bracket-Electronic Governor	1
24	0150-2781	Actuator-Linear (Electronic Governor)	1
25	0800-3017-48	Screw-Hex Head (M10 X 80)	1
26	0150-2682	Governor-Clevis Dynk-218-1.	1
27	0526-0018	Washer-Flat (1/4")	1
28	0800-0310-06	Screw-Hex Head (1/4" UNC X 1")	1
29	0862-0001	Nut-Hex(1/4" UNC)	1
30	0150-2120	Rod End Dynz-47-1.3917844.	1
31	0868-0001	Nut-Hex (1/4" UNF)	1
32	0800-3017-47	Screw-Hex Head (M10 X 75)	2
33	0850-0114-53	Washer-Lock (M6)	4
34	0800-3017-04	Screw-Hex Head (M6 X 20)	4
35	0526-0399-59	Washer-Flat (M6)	6
36	0862-0026-54	Nut-Hex (M6)	2
	0179-3922	Engine B3.3G1	1

Battery Charger Instl



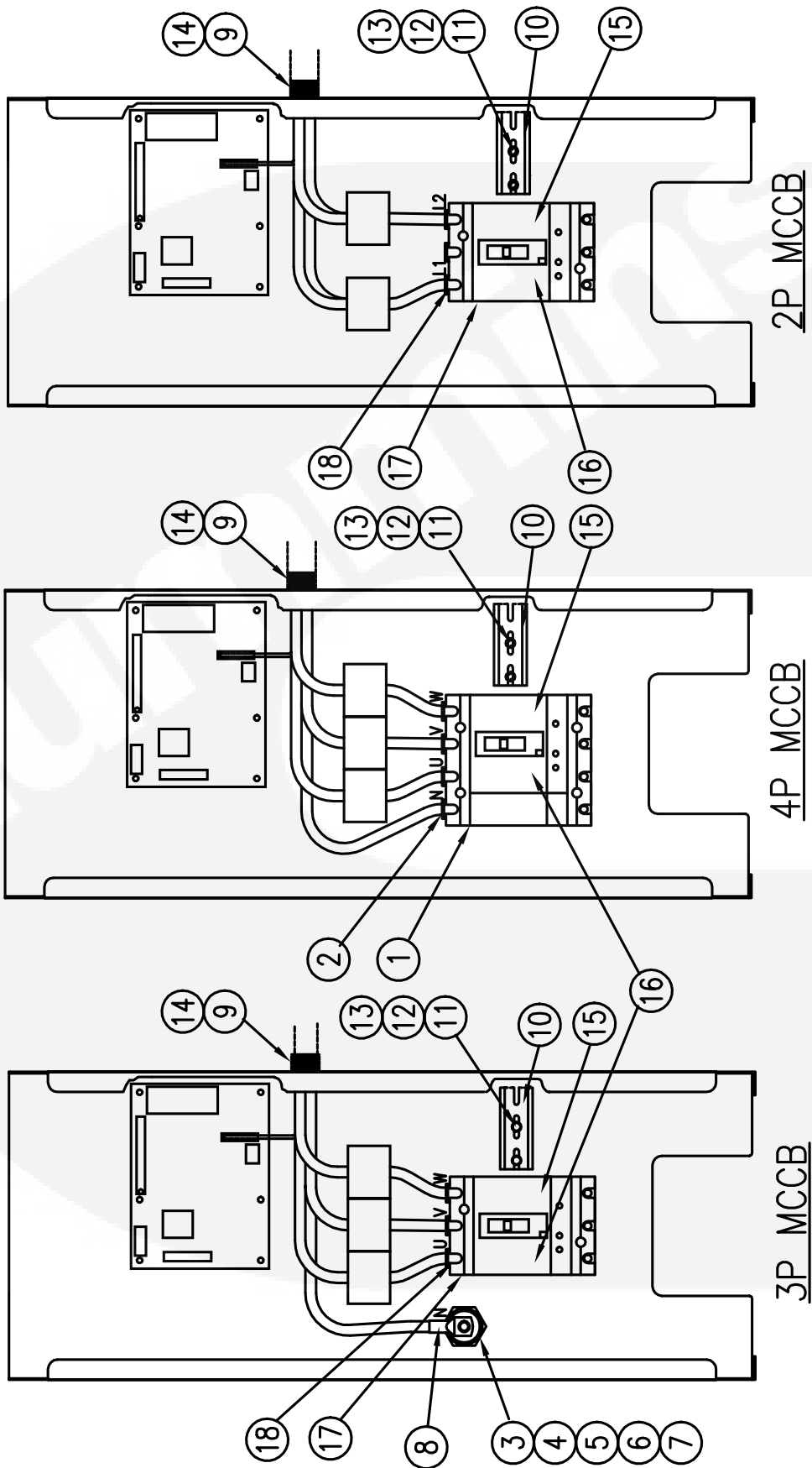
Item	Part Number	Description	Qty
5	0338-4530	Harness-Battery Charger	1
1	0416-1225	Charger-Battery (3A)	1
2	0526-0399-52	Washer-Flat (M3)	8
3	0822-3047	Screw-Pan Head (M3 X 20)	4
4	0850-0114-50	Washer-Lock (M3)	4
6	0332-3923-02	Terminal Block	3
7	0332-3926	Terminal End Stop	2
8	0332-3927-02	End Plate	1

Miniature Circuit Breaker Instl



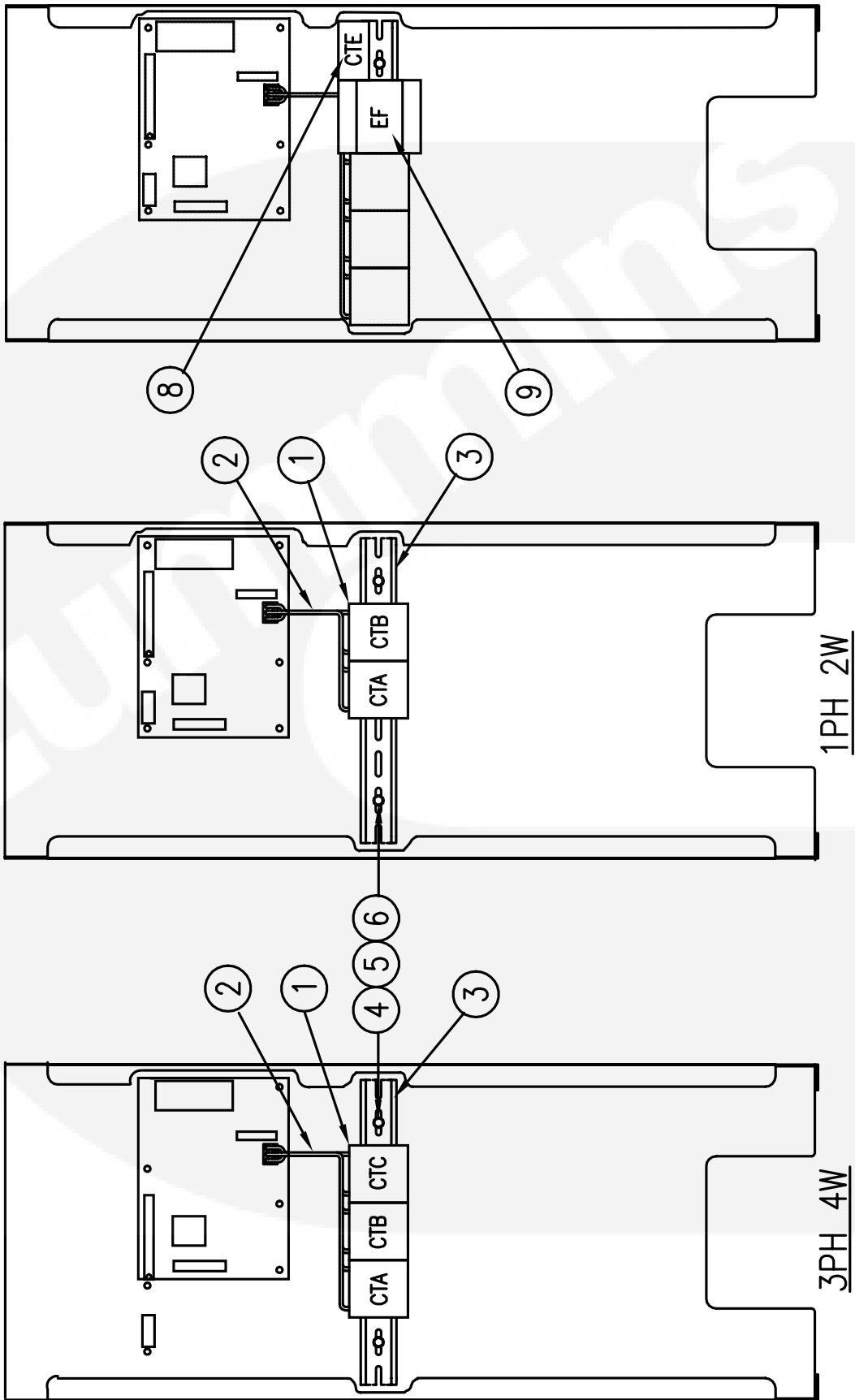
Item	Part Number	Description	Qty
1	0320-2224-05	Circuit Breaker 32A 4P MCB (400-440V-50Hz-3Ph)	1
1	0320-2224-06	Circuit Breaker 40A 4P MCB (380V-50Hz-3Ph & 380-440V-60Hz-3Ph)	1
1	0320-2224-08	Circuit Breaker 63A 4P MCB (208-240V-50Hz-3Ph)	1
1	0320-2224-09	Circuit Breaker 80A 4P MCB (190-208V-50Hz-3Ph & 220-240V-60Hz-3Ph)	1
1	0320-2224-10	Circuit Breaker 100A 4P MCB (190-208V-60Hz-3Ph)	1
2	0332-4001-01	Rail-Terminal Block (300mm)	1
3	0872-0020-02	Stand Off	2
4	0526-0399-56	Washer-Flat (M5)	4
5	0800-0309-93	Screw-Hex Head (M5 X 35)	2
6	0850-0114-52	Washer-Lock (M5)	2
8	0338-4459	Harness-AC 10 sq.mm (380-440V-50/60Hz-3Ph,190-240V-50Hz-3Ph & 220-240V-50/60Hz-1Ph)	1
8	0338-4484-02	Harness-AC 25 sq.mm.(190-240V-60Hz-3Ph)	1
9	0331-0618-02	Locknut-Conduit	2
10	0320-2225-01	Accessories-CB (Shunt Trip)	1
11	0320-2225-02	Accessories-CB (SD Contact)	1
12	0320-2222-08	Circuit Breaker 63A 2P MCB (220-240V-50Hz-1Ph)	1
12	0320-2222-09	Circuit Breaker 80A 2P MCB (220-240V-60Hz-1Ph)	1

Circuit Breaker Instl



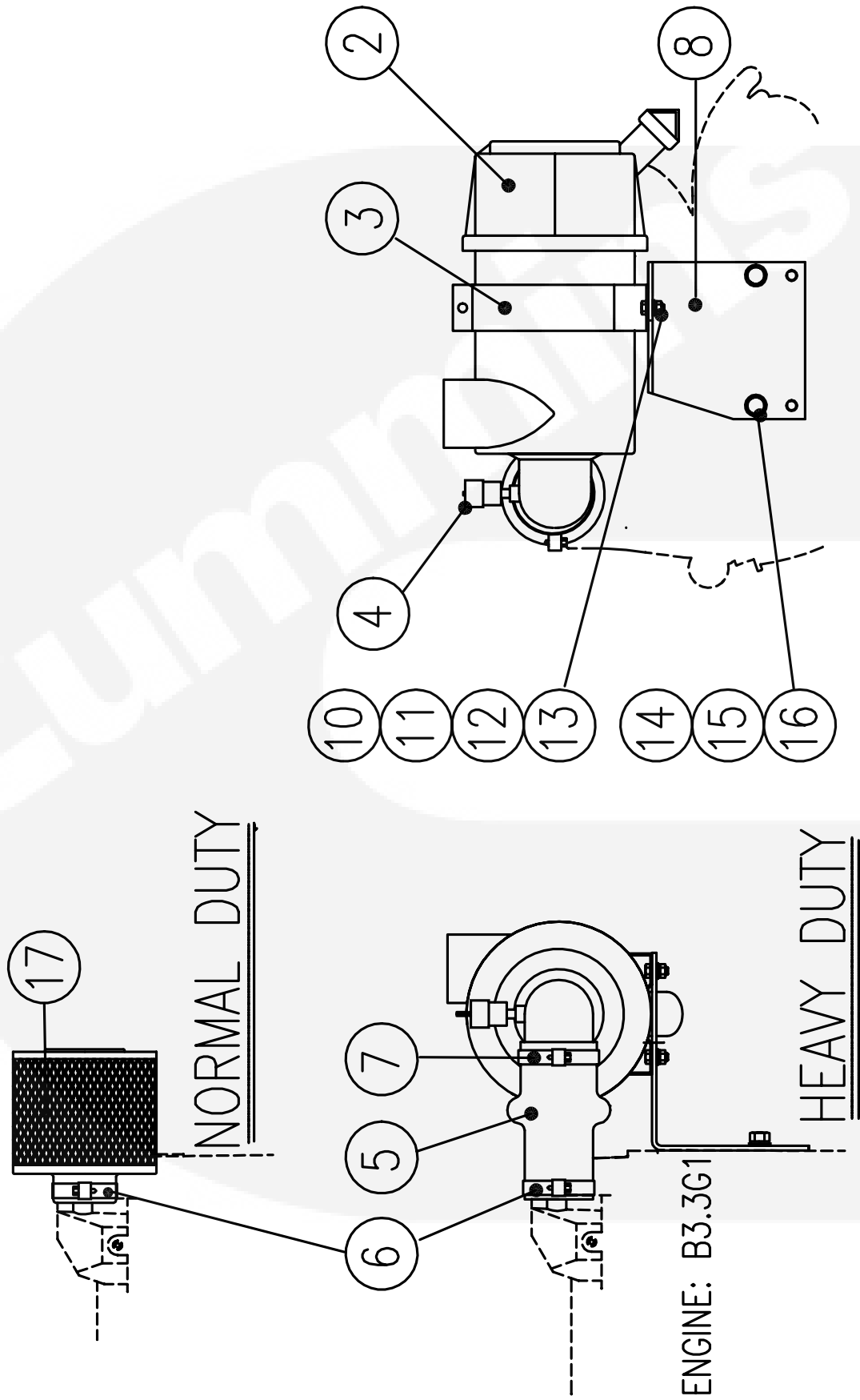
Item	Part Number	Description	Qty
1	0320-2157-08	Circuit Breaker 40A 4P MCCB (480V-60Hz-3Ph)	1
2	0320-2156-01	Bare Cable Connectors 3P 160A	1
3	0872-0021	Standoff (Insulator)	1
4	0526-0399-62	Washer-Flat (M10)	2
5	0800-3017-35	Screw-Hex Head (M10 X 16)	1
6	0850-0114-55	Washer-Lock (M10)	1
7	0862-0026-56	Nut-Hex (M10)	1
8	0332-4034-03	Lug-Cable	1
9	0338-4459	Harness-AC 10sq.mm.	1
10	0332-4001-02	Rail-Terminal Block	1
11	0526-0399-56	Washer-Flat (M5)	2
12	0800-0309-93	Screw-Hex Head (M5 X 35)	2
13	0850-0114-52	Washer-Lock (M5)	2
14	0331-0618-02	Locknut-Conduit	2
15	0320-1981-51	SPDT Switch 29450	1
16	0320-1981-52	Shunt Trip 12v	1
17	0320-2157-07	Circuit Breaker 40A 3P MCCB (480V-60Hz-3Ph)	1
18	0320-2156-01	Bare Cable Connectors 3P 160A	1

Transformer Instl



Item	Part Number	Description	Qty
1	0315-1647-04	Transformer-Current 120:5 (380-480V-50/60Hz-3Ph)	3
1	0315-1647-06	Transformer-Current 250:5 (190-240V-50/60Hz-3Ph & 220-240V-50/60Hz-1Ph)	3
2	0338-4458	Harness-AC	1
3	0332-4001-01	Rail-Terminal Block (300mm)	1
4	0526-0399-56	Washer-Flat (M5)	4
5	0800-0309-88	Screw-Hex Head (M5 X 12)	2
6	0850-0114-52	Washer-Lock (M5)	2
8	0315-1607-03	Transformer-Current 100:5 (Earth)	1
9	0307-3017-01	Relay-Ground Fault 12VD.C.	1

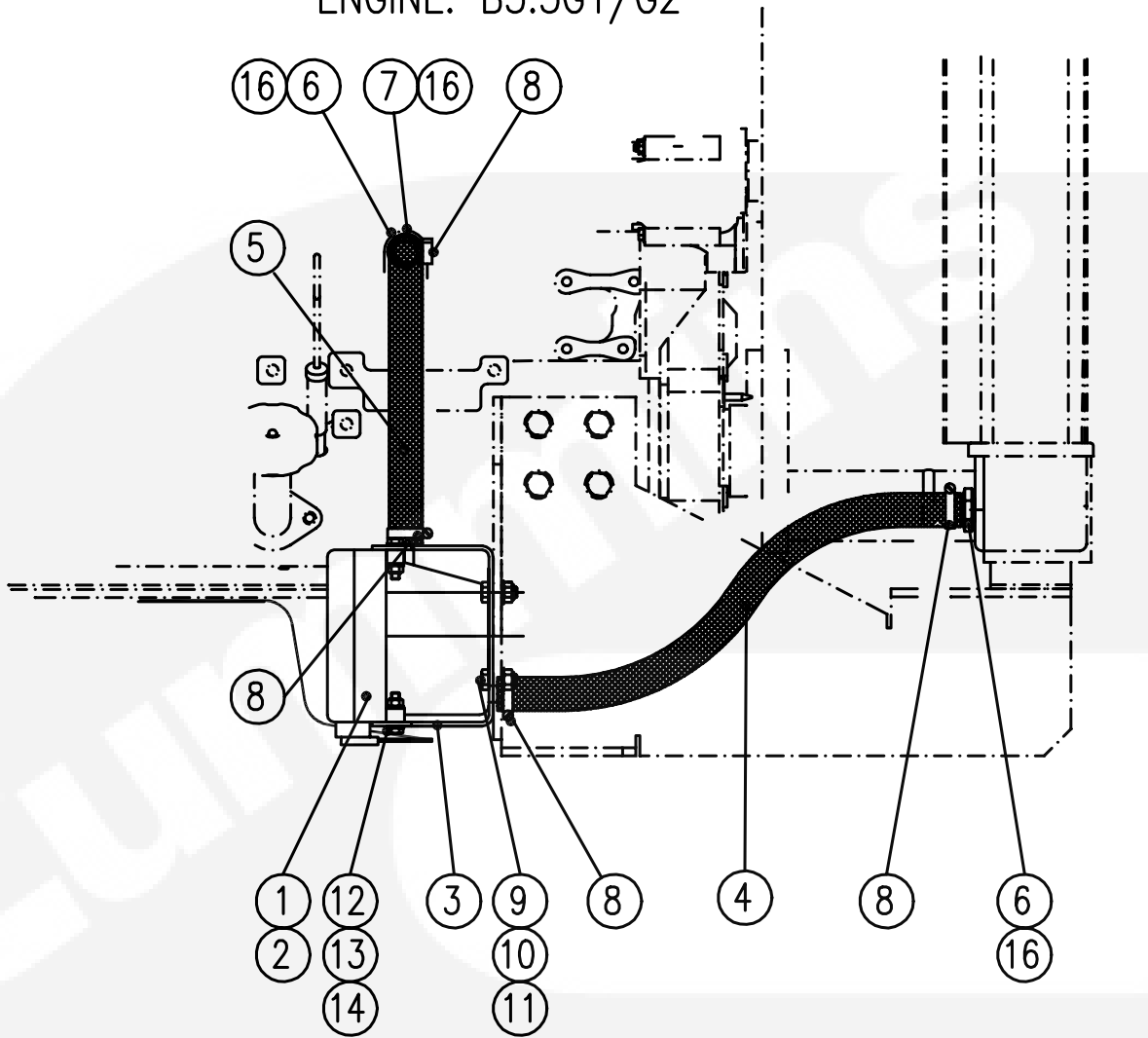
Air Cleaner Instl



Item	Part Number	Description	Qty
1	0541-1111	Air Cleaner Kit (Heavy Duty)	1
2	0140-3840	Air Cleaner Element	1
3	0140-3766	Mounting Band	1
4	0140-3769	Indicator	1
5	0503-2546	Hose-Flexible	1
6	0140-3551	Clip	1
7	0503-2545	"T" Bolt Clamp	1
8	0140-3719-02	Bracket, Air Cleaner	1
10	0800-3017-19	Screw-Hex Head (M8 X 20)	2
11	0526-0399-60	Washer-Flat (M8)	2
12	0850-0114-54	Washer-Lock (M8) 716370	2
13	0862-0026-55	Nut - Hex (M8)	2
14	0800-3017-37	Screw-Hex Head (M10 X 25)	2
15	0526-0399-62	Washer-Flat (M10)	2
16	0850-0114-55	Washer-Lock (M12)	2
17	0140-3829	Air Cleaner Kit (Normal Duty) (cw Clamp)	1

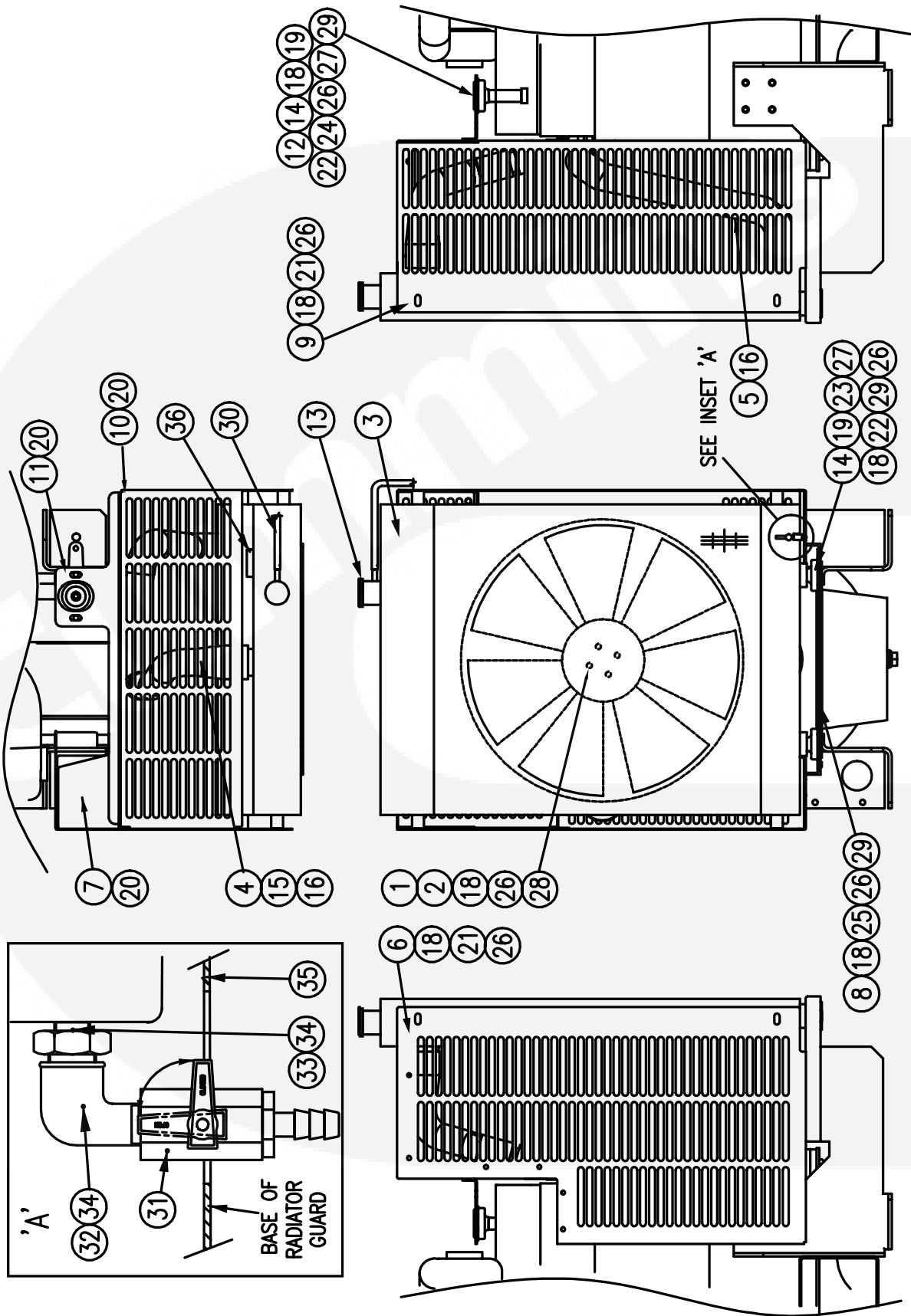
Engine Heater

ENGINE: B3.3G1/G2



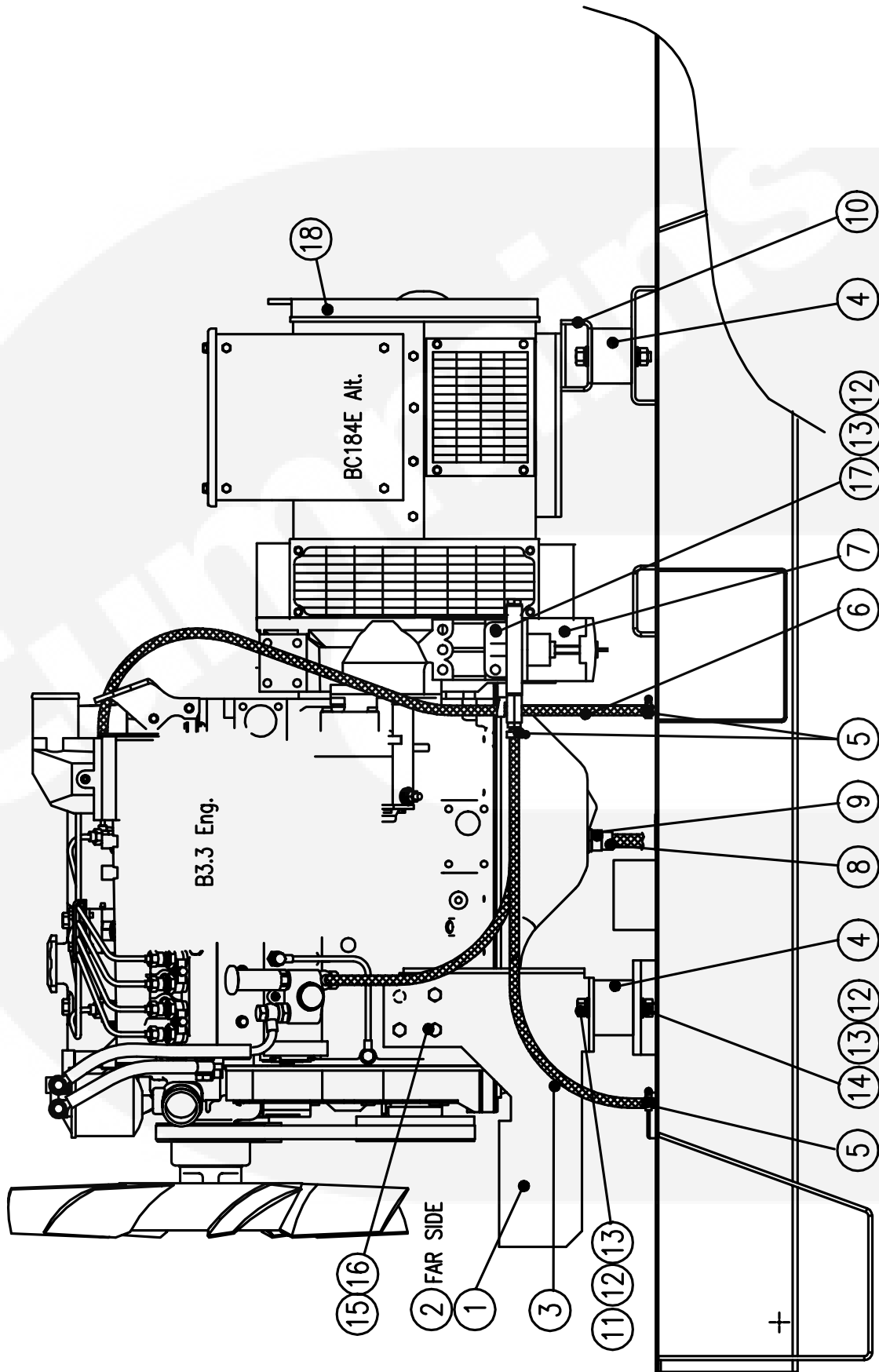
Item	Part Number	Description	Qty
1	0333-0699	Heater-Engine Coolant-120v.	1
2	0333-0690	Heater-Engine Coolant-240v.	1
3	0133-0232-02	Bracket-Heater	1
4	0503-2474-07	Hose-Steam	1
5	0503-2474-06	Hose-Steam	1
6	0502-1508	Connector-Hose (1/4" BSPT X 16mm)	2
7	0505-2236	Adaptor-Hose (3/8"BSPP X 1/4"BSP M/F)	1
8	0503-2385	Clamp-Hose (1"-1 3/4")	4
9	0821-6003-02	Screw-Sems Tap/Scr (M8 X 20)	2
10	0526-0399-60	Washer-Flat (M8)	2
11	0870-2248-05	Nut-Lock (M8 Nyloc)	2
12	0800-3017-06	Screw-Hex Head (M6 X 30)	4
13	0526-0399-58	Washer-Flat (M6)	8
14	0870-0506	Nut-Lock (M6 Nyloc)	4
15	0332-1794	Tie-Cable	6
16	0524-0826	Sealant-Thread 577 (250ml)	1

Radiator Instl-Denso



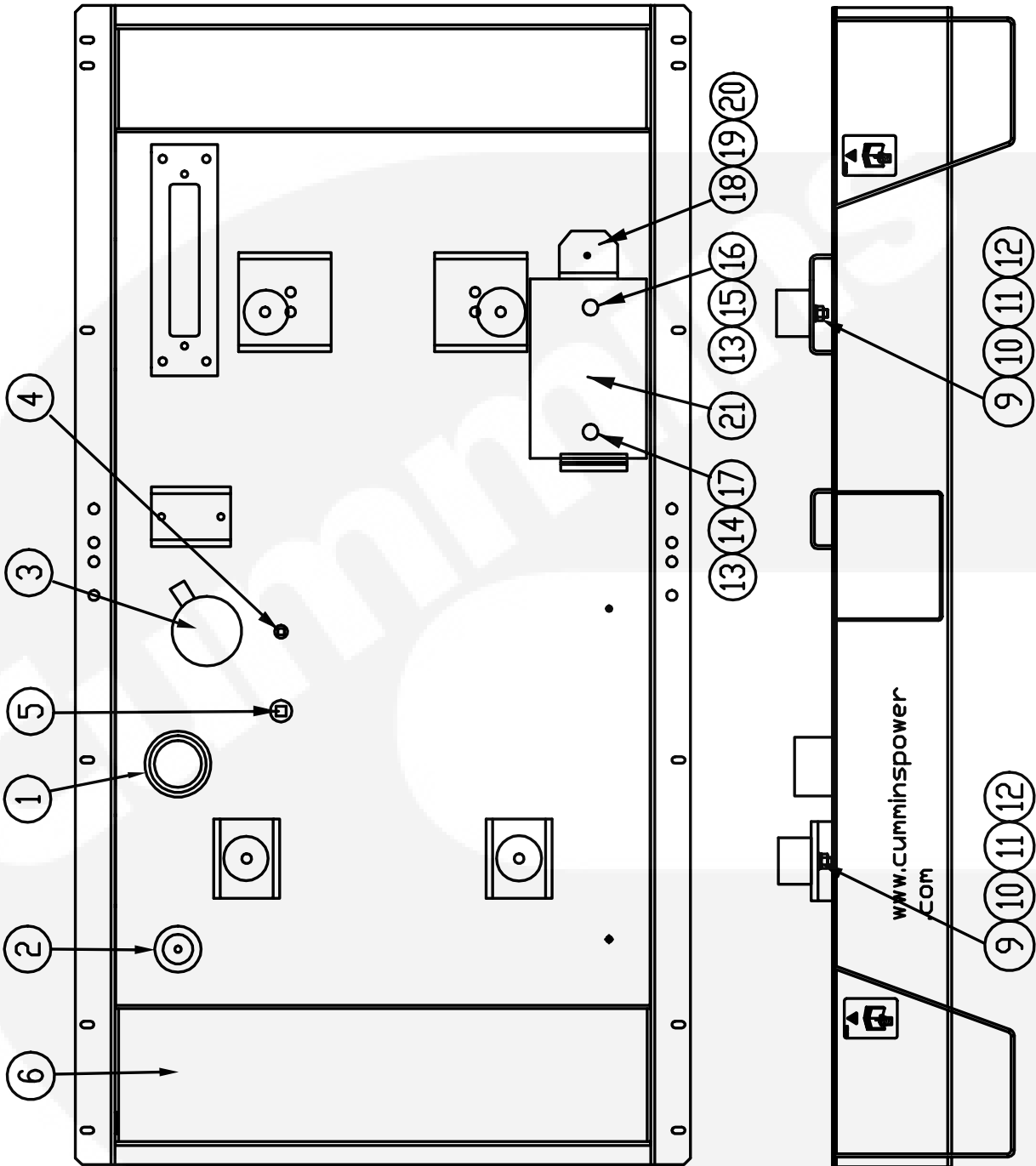
Item	Part Number	Description	Qty
1	0130-6113-02	Plate-Support	1
2	0130-6147	Cooling Fan	1
3	0130-6149	Radiator-B3.3	1
4	0130-6174	Hose-Radiator-Top	1
5	0130-6175	Hose-Radiator-Bottom	1
6	0130-6200-02	Guard-Radiator (Right Hand)	1
7	0130-6203-02	Guard-Pulley (Charge Alt)	1
8	0130-6204-02	Bracket-Radiator Support	1
9	0130-6251-02	Guard-Radiator (Left Hand)	1
10	0130-6252-02	Guard-Radiator (Rear)	1
11	0130-6253-02	Bracket-Guard Support	1
13	0130-6406	Radiator Cap	1
14	0402-0847	Isolator-Vibration	3
15	0503-1872-01	Clamp Hose (1"-1.75")	1
16	0503-1872-02	Clamp Hose (1.25"-2.13")	3
18	0526-0399-60	Washer-Flat (M8)	28
19	0526-0399-62	Washer-Flat (M10)	6
20	0821-6002-02	Screw-Sems Tap (M6 X 12)	14
21	0800-3017-18	Screw-Hex Head (M8 X 16)	4
22	0800-3017-19	Screw-Hex Head (M8 X 20)	6
23	0800-3017-40	Screw-Hex Head (M10 X 40)	2
24	0800-3017-51	Screw-Hex Head (M10 X 100)	1
25	0800-3017-20	Screw-Hex Head (M8 X 25)	4
26	0850-0114-54	Washer-Lock (M8)	18
27	0853-0040-56	Washer-Lock (M10)	3
28	0800-2517	Screw-Hex Head Cap (M8 X 40)	4
29	0862-0026-55	Nut-Hex (M8)	10
30	0130-6623	Overfill Tube	AR
31	0502-1493	Connector-Hose (Tap Radiator)	1
32	0505-2255	Elbow-1/4" BSPP Swivel 90° M/F	1
33	0502-1485	Union-Hose	1
34	0524-0826	Sealant-Thread 577 (250ml)	1
35	0130-6360-02	Plate-Guard	1
36	0193-0568	Sender-Low Coolant	1

Genset Instl (Denso Radiator)



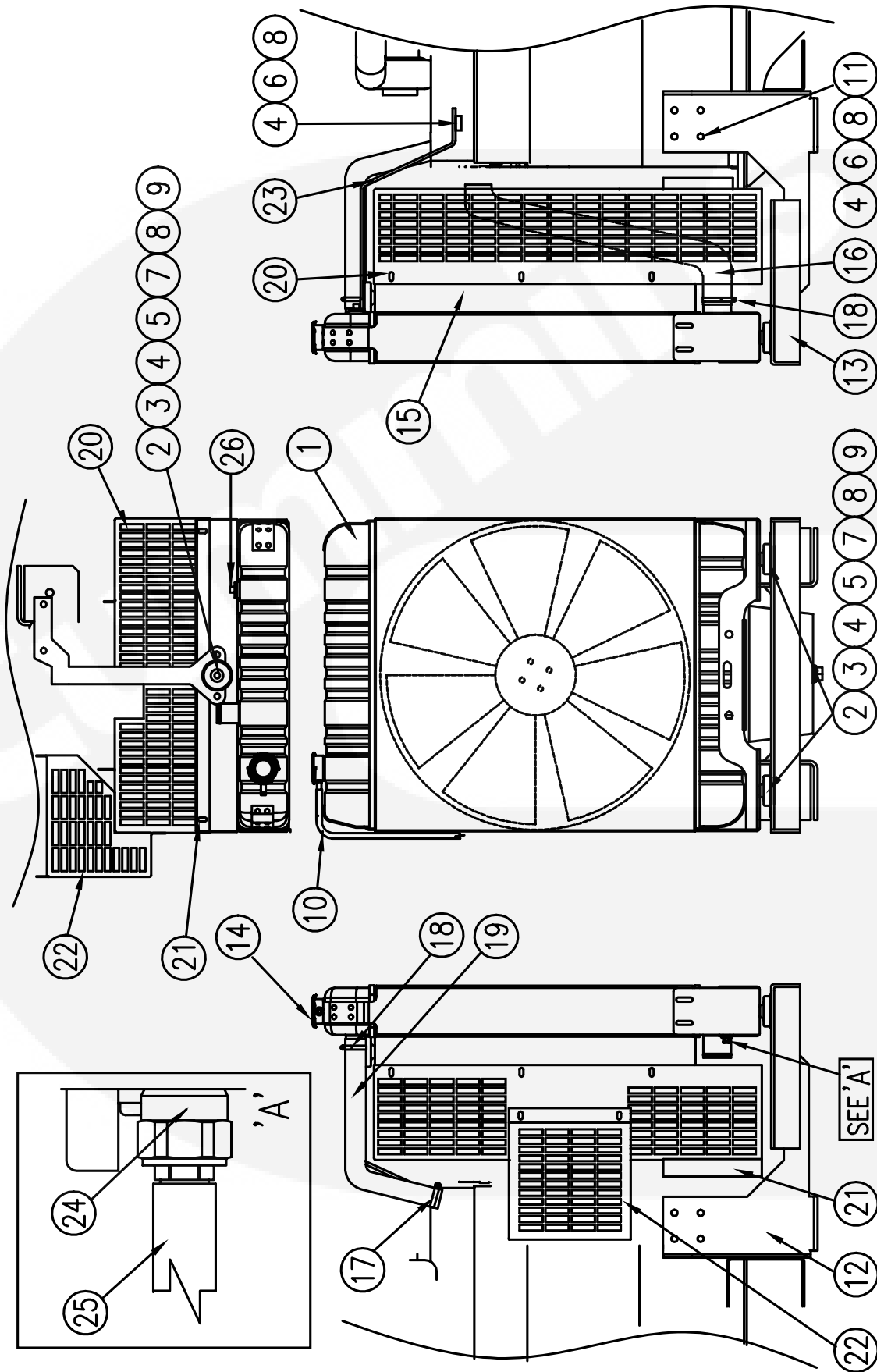
Item	Part Number	Description	Qty
1	0403-5463-03	Mount-Engine (LH)	1
2	0403-5464-03	Mount-Engine (RH)	1
3	0501-0875	Line-Fuel	2
4	0501-0874	Line-Fuel	1
5	0503-2467	Clamp-Hose	6
7	0526-0399-62	Washer-Flat (M10) 716011	20
8	0526-0399-64	Washer-Flat (M12)	6
9	0800-3017-38	Screw-Hex Head (M10 X 30)	8
10	0850-0114-56	Washer-Lock (M12)	6
11	0853-0040-56	Washer-Lock (M10)	8
12	0800-3017-54	Screw-Hex Head (M12 X 30)	2
13	0800-3017-52	Screw-Hex Head (M12 X 20)	4
14	0403-5586-02	Mount-Generator	1
	0200-3127	Alternator-BC184E	1

Skid Instl (With Tank)



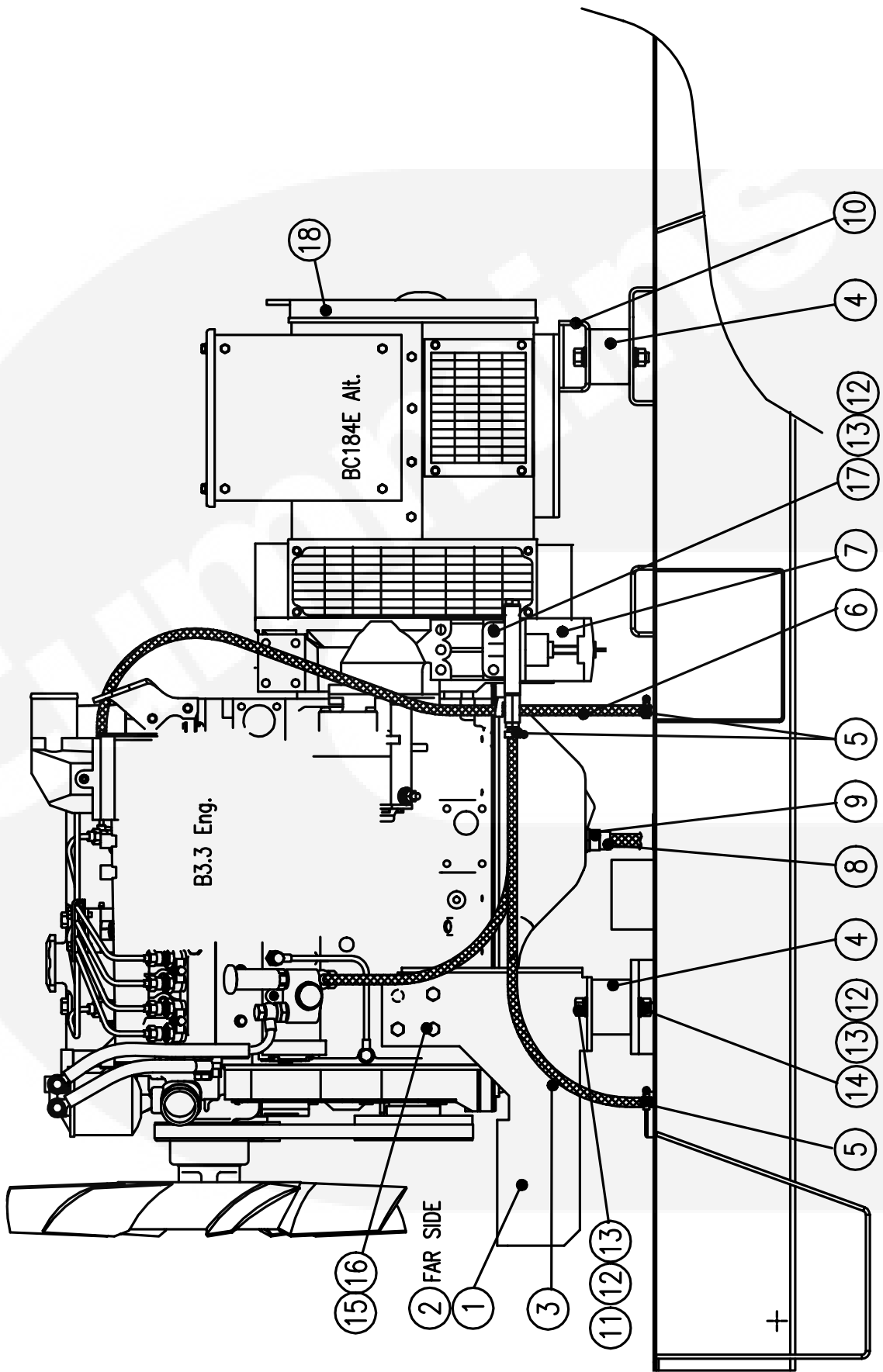
Item	Part Number	Description	Qty
1	0159-1552	Cap-Filler	1
2	0193-0567	Gauge-Fuel Level	1
3	0309-0707-4	Switch-Fuel Level	1
4	0505-1598	Plug-Pipe (3/4"BSP)	1
5	0505-2090	Plug-Pipe (1.1/2"BSP)	1
6	0403-6104-02	Skid Assy	1
9	0402-0852	Isolator-Vibration (280/B5)	4
10	0826-0026-57	Nut-Hex (M12)	4
11	0526-0399-64	Washer-Flat (M12)	4
12	0850-0114-56	Washer-Lock (M12)	4
13	0416-1141	Boot-Battery	2
14	0416-1203	Clamp-Battery Post +Ve	1
15	0416-1204	Clamp-Battery Post -Ve	1
16	0416-1216	Cable-Battery (-Ve)	1
17	0416-1233	Cable-Battery (+Ve)	1
18	0416-1241-02	Holddown-Battery	1
19	0526-0399-58	Washer-Flat (M6)	1
20	0865-0030	Nut-Wing (M6)	1
21	0416-1242	Battery	1

Radiator Instl-SRF



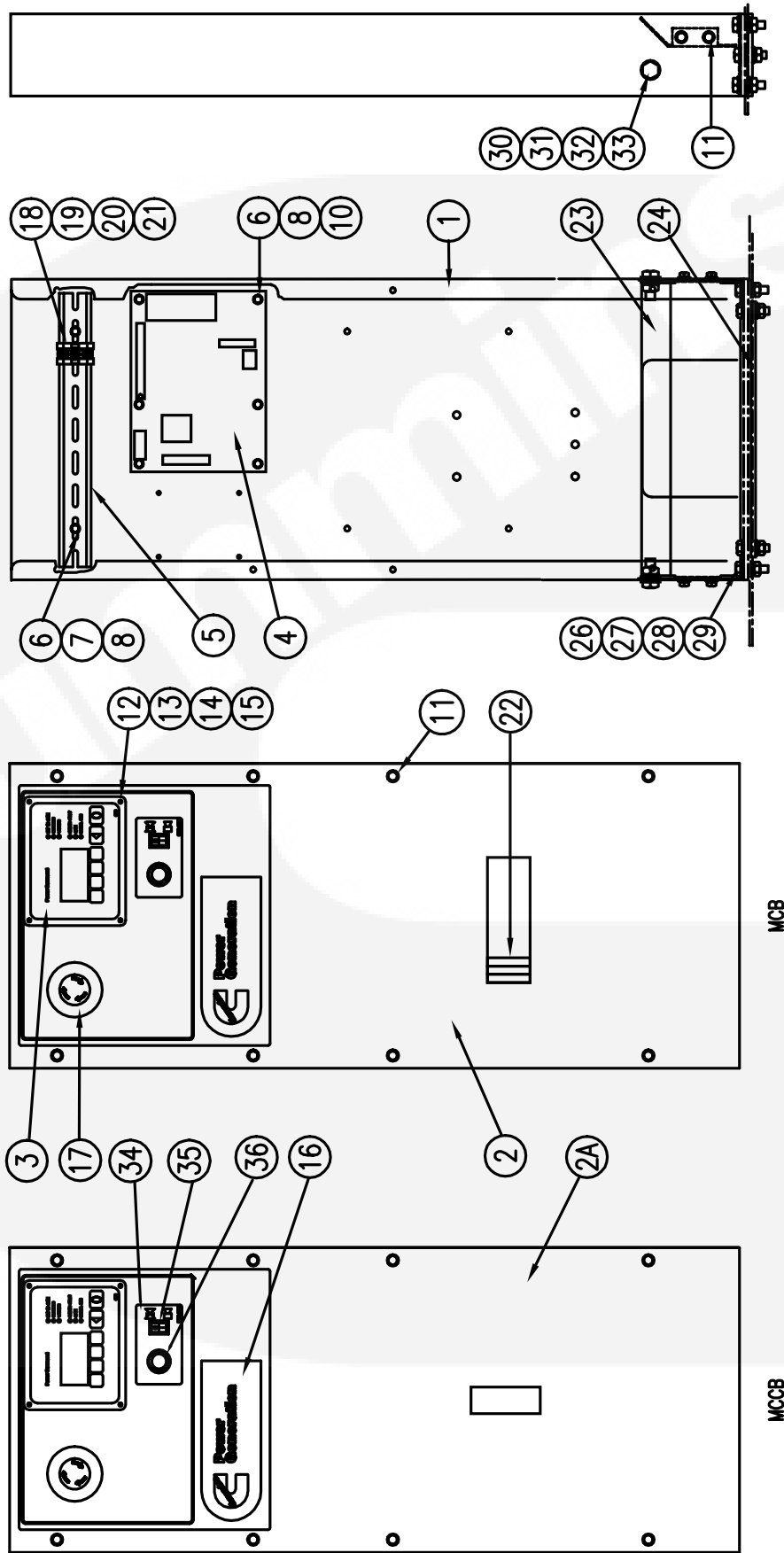
Item	Part Number	Description	Qty
1	0130-6149	Radiator-SRF	1
2	0402-0878	Isolator-Vibration	3
3	0526-0399-60	Washer-Flat (M8)	12
4	0526-0399-62	Washer-Flat (M10)	5
5	0800-3017-19	Screw-Hex Head (M8 X 20)	10
6	0800-3017-38	Screw-Hex Head (M10 X 30)	10
7	0800-3017-40	Screw-Hex Head (M10 X 40)	3
8	0853-0040-56	Washer-Lock (M10)	3
9	0862-0026-55	Nut-Hex (M8)	6
10	0130-6623	Overfill Tube	AR
11	0403-6102	Mount-Engine LH	1
12	0403-6103	Mount-Engine RH	1
13	0130-6599	Plate-Support	1
14	0130-6600	Radiator Cap	1
15	0130-6601	Shroud-Fan	1
16	0503-2654	Hose-Radiator-Bottom	1
17	0503-2653	Hose-Radiator-Top	1
18	0503-1872-02	Clamp Hose (1.25"-2.13")	3
19	0503-1872-01	Clamp Hose (1"-1.75")	1
20	0130-6602	Guard-Radiator (Left Hand)	1
21	0130-6603	Guard-Radiator (Right Hand)	1
22	0130-6604	Guard-Pulley (Charge Alt)	1
23	0130-6605	Bracket-Radiator Support	1
24	0504-0284	Valve-Drain (1/2"BSP)	1
25	0503-2633-01	Hose-Drain	1
26	0193-0568	Sender-Low Coolant Level	1

Genset Instl (SRF Radiator)



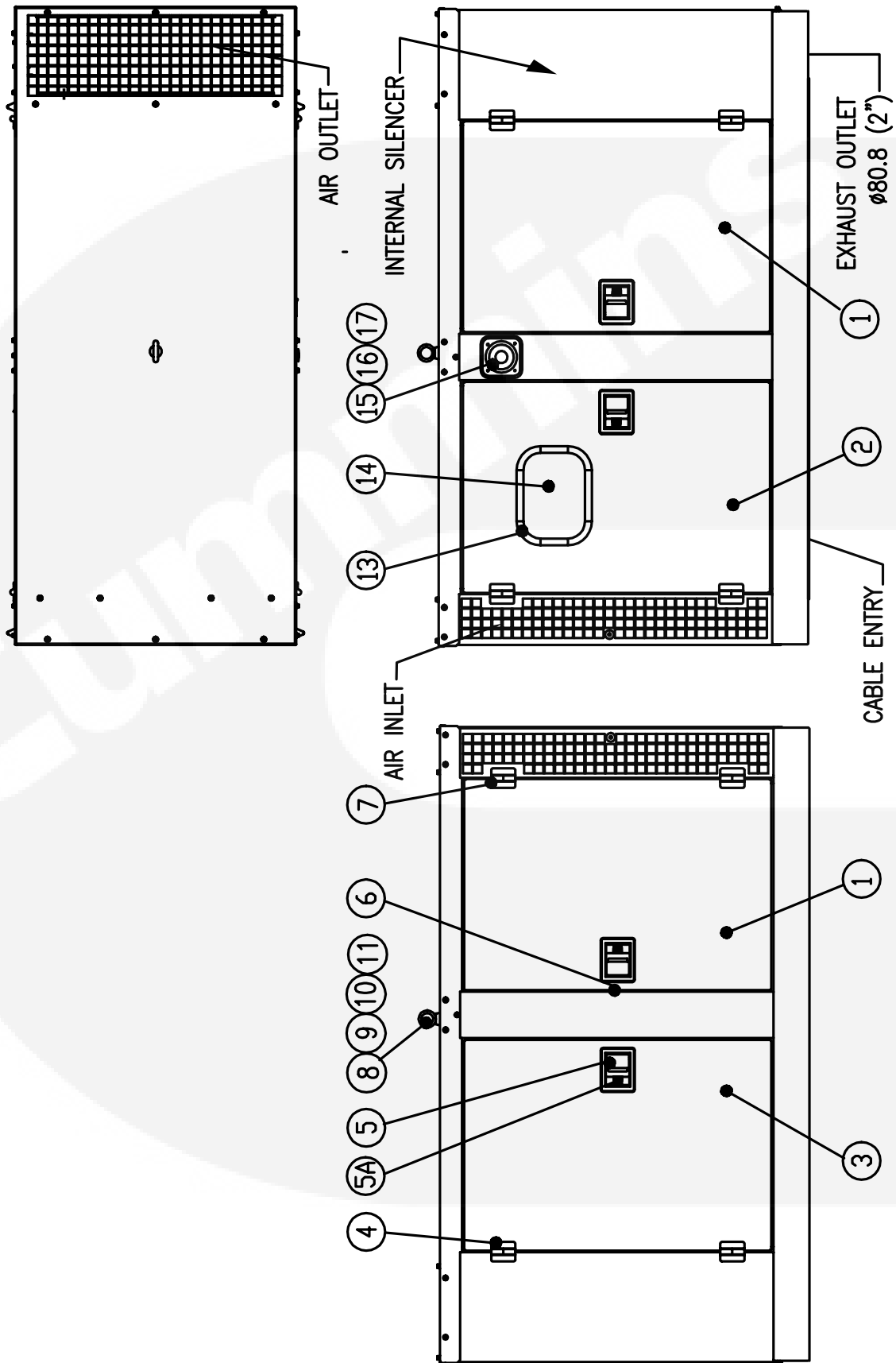
Item	Part Number	Description	Qty
1	0403-6102	Mount-Engine (LH)	1
2	0403-6103	Mount-Engine (RH)	1
3	0501-0875	Line-Fuel (Feed)	2
4	0402-0852	Isolator-Vibration (280/B5)	4
5	0503-2467	Clamp-Hose (16-27mm ID)	6
6	0501-0874	Line-Fuel (Return)	1
7	0149-2744	Separator-Fuel/Water	1
8	0502-1507	Adapter-Hose (Oil)	1
9	0504-0264-01	Valve-Hydraulic (Oil)	1
10	0403-5586-02	Mount-Alternator-BC184E	1
11	0800-3017-52	Screw-Hex Head (M12 X 20)	4
12	0526-0399-64	Washer-Flat (M12)	4
13	0850-0114-56	Washer-Lock (M12)	4
14	0800-3017-38	Screw-Hex Head (M10 X 30)	8
15	0526-0399-62	Washer-Flat (M10)	8
16	0853-0040-56	Washer-Lock (M10)	8
17	0800-3017-54	Screw-Hex Head (M12 X 30)	2
18	0200-3127-01	Alternator-BC184E	1

Control Assy (PCC1300/1301)



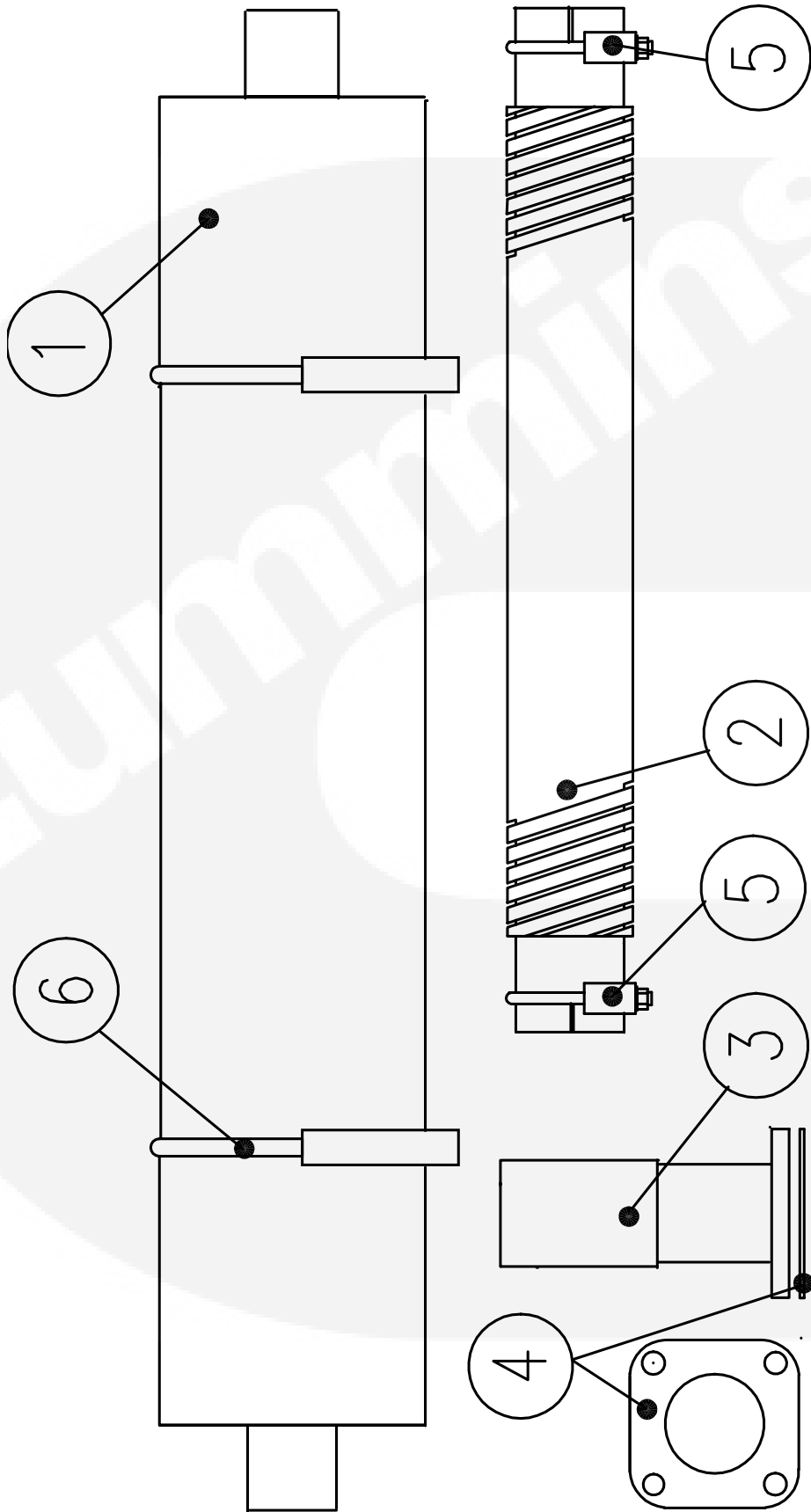
Item	Part Number	Description	Qty
1	0319-5495-02	Box-Control	1
2	0319-5496-02	Panel-Display (MCB)	1
2	0319-5497-02	Panel-Display (MCCB)	1
2	0319-5768-02	Panel-Display (MCB-RCD)	1
3	0300-6014	Control Assy-Display	1
4	0327-1503-01	PCB Assy (PCC1300)	1
4	0327-1513-01	PCB Assy (PCC1301)	1
5	0332-4001-02	Rail-Terminal Block	1
6	0526-0399-56	Washer-Flat (M5)	8
7	0800-0309-88	Screw-Hex Head (M5 X 12)	2
8	0850-0114-52	Washer-Lock (M5)	8
10	0800-0309-91	Screw-Hex Head (M5 X 25)	6
11	0821-6002-02	Screw-Sems Tap/Scr (M6 X 12)	12
12	0526-0399-52	Washer-Flat (M3)	4
13	0822-3047	Screw-Pan Head (M3 X 20)	4
14	0850-0114-50	Washer-Lock (M3)	4
15	0862-0026-51	Nut-Hex (M3)	4
16	0098-8283	Label-Logo	1
17	0308-1178	Switch-Pushbutton E/Stop	1
18	0332-3923-01	Terminal Block (Wago)	2
19	0332-3925-01	Jumper-Terminal (Wago, 2-Way)	1
20	0332-3926	Terminal Block (End Stop)	2
21	0332-3927-01	Terminal Block (End Plate)	1
22	0320-2259	Circuit Breaker Blanking Strip	1
23	0319-5362-02	Cover-Control	1
24	0319-5364	Cover-Ctrl-Cable Entrance	1
26	0526-0399-60	Washer-Flat (M8)	12
27	0800-3017-21	Screw-Hex Head (M8 X 30)	6
28	0850-0114-54	Washer-Lock (M8)	6
29	0862-0026-55	Nut-Hex (M8)	6
30	0526-0399-62	Washer-Flat (M10)	4
31	0800-3017-37	Screw-Hex Head (M10 X 25)	2
32	0853-0040-56	Washer-Lock (M10)	4
33	0862-0026-56	Nut-Hex (M10)	2
34	0098-8322	Label-Information	1
35	0308-1191	Switch-Rocker	1
36	0300-5937	Module-Alarm	1
N/A	0338-4522	Harness-Alarm	1

Enclosure Assy



Item	Part Number	Description	Qty
1	0405-8150-01	Door-Enclosure (RH)	2
2	0405-8149	Door-Enclosure (View Window)	1
3	0405-8150-02	Door-Enclosure (LH)	1
4	0406-1051	Hinge-LH	4
5	0406-1059	Latch-Door	4
5A	0406-1074	Key-Latch	2
6	0406-1073	Bracket-Catch	2
7	0406-1052	Hinge-RH	4
8	0403-5556	Lifting Eye	1
9	0526-0399-72	Washer-Flat (M24)	1
10	0860-2024-01	Nut-Hex (M24)	1
11	0870-2248-10	M20 Locknut (Nylon Insert)	1
13	0508-1199	Seal-Window	1
14	0405-8144	Window-Enclosure	1
15	0308-1175	Switch-Push Button	1
16	0319-5262	Cover-Switch Surround	1
17	0098-8025	Label	1

Loose Muffler Option



Item	Part Number	Description	Qty
1	0155-4154-01	Muffler (Ind Inline 9dB)	1
1	0155-4158-01	Muffler (Res Inline 25dB)	1
2	0155-4334	Pipe-Exhaust Flex	1
3	0155-4335-02	Adaptor-Exhaust	1
4	0155-4286	Gasket	1
5	0305-1004	Clamp-'U' Bolt (80mm)	2
6	0155-4351	Heavy Duty Clamp 6"	2



Cummins Power Generation
Manson Park
Columbus avenue
Manson
Kent CT12 5BF
United Kingdom

Cummins Power Generation © [insert Copyright Year]

