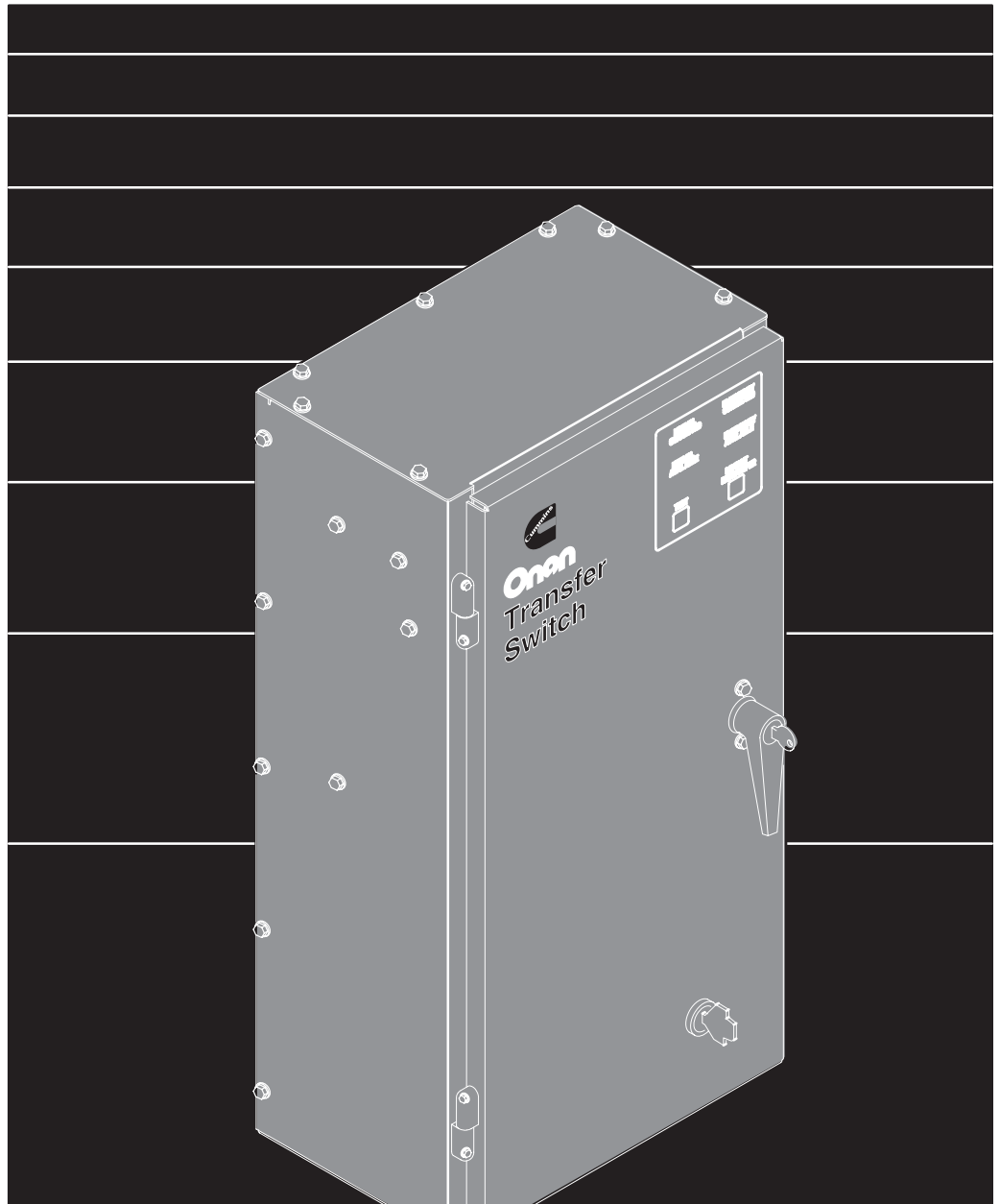




# Parts Catalog

## LT 30/60/100/150 Amp Transfer Switches



Printed U.S.A.

913-0202B (Spec J) 4-99  
Replaces 913-0202 (Spec J) 11-96

## MODEL IDENTIFICATION

To avoid errors or delay in filling your parts order, always give the MODEL, SPEC NO. and SERIAL NO. from the Onan nameplate.

For handy reference, insert your nameplate information in the spaces below.

---

MODEL AND SPEC NO.

---

SERIAL NO.

---

DIGITAL CONTROL SOFTWARE VERSION  
AND DATE (IF APPLICABLE)

## SAFETY PRECAUTIONS

The following symbols are used in Onan manuals to alert users to the potentially dangerous conditions relating to maintenance of equipment and replacement of parts. Please read and observe.



*This symbol warns of immediate hazards which will result in severe personal injury or death.*



*This symbol refers to a hazard or unsafe practice which can result in severe personal injury or death.*



*This symbol refers to a hazard or unsafe practice which can result in severe personal injury or product or property damage.*

## PRODUCT SAFETY PRECAUTIONS



***Service and repair of Onan equipment must be performed by trained, experienced personnel only. Improper service or repair may result in property damage, severe personal injury or death. Do not use this catalog as a guide to servicing your equipment. Read and follow the IMPORTANT SAFETY INSTRUCTIONS in the Service Manual appropriate for the equipment you are working on.***



***Contact with USED ENGINE OILS has been identified by a United States federal agency and some USA state agencies as causing CANCER or REPRODUCTIVE TOXICITY. When checking or changing engine oils take all necessary precautions not to ingest, breathe the fumes or contact the used oil.***



***Contact with ASBESTOS has been identified by a United States federal agency and some USA state agencies as causing CANCER or REPRODUCTIVE TOXICITY. When handling engine gaskets take all necessary precautions not to ingest, breathe or contact the dust from the gaskets! Use adequate ventilation and wear protective gloves, masks and clothing!***



***Contact with BENZINE and LEAD, found in gasoline, fuel additives and solvents has been identified by a United States federal agency and some USA state agencies as causing CANCER or REPRODUCTIVE TOXICITY. When checking, draining or adding gasoline and fuel additives or using solvents take all necessary precautions not to ingest, breathe the fumes or contact the liquids. Use adequate ventilation and wear protective gloves, masks and protective clothing!***

## Introduction

This catalog applies to the LT Spec J Transfer Switches as indicated below. Each illustrated part is identified by a reference number corresponding to the same reference number in the parts list for that group. Parts illustrations are typical. Using the model and spec number from the switch box nameplate, select the parts that apply to your automatic transfer switch. Unless otherwise noted in the parts description, parts are interchangeable between models.

### New Modeling Style Starting January 1999

Transfer Switch Model/Spec	Amp
LTA	30/60
LTB	100
LTC	150

### Feature Options

Code	Description
A005	Line Side Mechanically Held Generator Side Electrically Held
A007	Line Side Mechanically Held Generator Side Mechanically Held
A028	3-Pole Switch
A035	Utility to Generator Set Applications
A041	One Phase – 2 or 3 wire
A042	Three Phase – 3 or 4 Wire
A044	Frequency – 60 Hz
A045	Frequency – 50 Hz
A046	Listing – UL
A047	Certification – CSA
A048	Listing – Not Applicable
B001	Cabinet – Type 1
B004	Construction – Open
C021	Electronic Control – Package A
C022	Electronic Control – Package B
J027	Program Transition – 0.1 to 3.0 Seconds
J028	Program Transition – 0.1 to 30 Seconds
K001	Battery Charger – 2 Amp, 12/24V
K002	Battery Charger – 10 Amp, 12V
K003	Battery Charger – 10 Amp, 24V
M002	Module – 3-Wire Start
N014	Switch – Manual Override
R020	Voltage – 120
R021	Voltage – 208
R022	Voltage – 220
R023	Voltage – 240
R024	Voltage – 380
R025	Voltage – 416
R026	Voltage – 480
R027	Voltage – 600
R035	Voltage – 440
S049	Current Rating – 150 Amps
S061	Current Rating – 30 Amps
S062	Current Rating – 60 Amps
S063	Current Rating – 100 Amps

# Index

- Ammeter – AC – Cabinet – TGHAA, TGHAB Spec C, **15**
- Ammeter – DC – 10 Amp, 12 Volt Battery Charger, **27**
- Ammeter – DC – 10 Amp, 24 Volt Battery Charger, **29**
- Ammeter – DC – 2 Amp, 12/24 Volt Battery Charger, **25**
  
- Bar, Neutral – Cabinet – TGHAA, TGHAB Spec C, **15**
- Bar, Neutral – Standard Cabinet, **11**
- Bar, Neutral – Telecom Cabinet, **17**
- Barrier, Foam – Cabinet – TGHAA, TGHAB Spec A, B, **13**
- Barrier, Foam – Cabinet – TGHAA, TGHAB Spec C, **15**
- Base, Mounting – Cabinet – TGHAA, TGHAB Spec C, **15**
- Battery, Lead – Controls Communication Module, **21**
- Block, Contact – Auxiliary – 100/150 Amp Transfer Switch, **9**
- Block, Terminal – 2 to 3 Wire Convertor, **18**
- Block, Terminal – Relay, **22**
- Board, Printed Circuit – 10 Amp, 12 Volt Battery Charger, **27**
- Board, Printed Circuit – 10 Amp, 24 Volt Battery Charger, **29**
- Board, Printed Circuit – 2 Amp, 12/24 Volt Battery Charger, **25**
- Board, Printed Circuit – 2 to 3 Wire Convertor, **18**
- Board, Printed Circuit – Control, **20**
- Box, Junction – Cabinet – TGHAA, TGHAB Spec A, B, **13**
- Box, Junction – Cabinet – TGHAA, TGHAB Spec C, **15**
- Bracket, Door – Cabinet – TGHAA, TGHAB Spec A, B, **13**
- Bracket, Door – Cabinet – TGHAA, TGHAB Spec C, **15**
- Bracket, End – 2 to 3 Wire Convertor, **18**
- Bracket, Modem – Controls Communication Module, **21**
- Bracket, Mounting – Network Gateway Module, **21**
  
- Cabinet – Standard, **11**
- Cabinet – Telecom, **17**
- Cabinet – TGHAA, TGHAB Spec A, B, **13**
- Cabinet – TGHAA, TGHAB Spec C, **15**
- Chamber, Arc – 100/150 Amp Transfer Switch, **7**
- Charger, Battery – 10 Amp, 12 Volt, **27**
- Charger, Battery – 10 Amp, 24 Volt, **29**
- Charger, Battery – 2 Amp, 12/24 Volt, **25**
- Charger, Battery – Controls Communication Module, **21**
- Coil, Electrically Held – 100/150 Amp Transfer Switch, **9**
- Coil, Magnetically Held – 100/150 Amp Transfer Switch, **9**
- Coil, Replacement – 30/60 Amp Transfer Switch, **5**
- Connector, Liquidtite – Cabinet – TGHAA, TGHAB Spec A, B, **13**
- Connector, Liquidtite – Cabinet – TGHAA, TGHAB Spec C, **15**
- Contact Set, Replacement – 100/150 Amp Transfer Switch, **9**
- Contact, Auxiliary – 100/150 Amp Transfer Switch, **9**
- Contact, Auxiliary – 30/60 Amp Transfer Switch, **5**
- Contact – 100/150 Amp Transfer Switch, **7**
- Contact – 30/60 Amp Transfer Switch, **5**
- Convertor, 2 to 3 Wire, **18**
- Cover, Battery – Controls Communication Module, **21**
- Cover, Battery Charger – Controls Communication Module, **21**
- Cover, Charger – 10 Amp, 12 Volt Battery Charger, **27**
- Cover, Charger – 10 Amp, 24 Volt Battery Charger, **29**
- Cover, Charger – 2 Amp, 12/24 Volt Battery Charger, **25**
- Cover, Control, **20**
- Cover, Fuse – Cabinet – TGHAA, TGHAB Spec C, **15**
- Cover, Meter – Cabinet – TGHAA, TGHAB Spec C, **15**
- Cover, Start – 2 to 3 Wire Convertor, **18**
  
- Door, Cabinet – Standard, **11**
- Door, Cabinet – Telecom, **17**
- Door, Cabinet – TGHAA, TGHAB Spec A, B, **13**
- Door, Cabinet – TGHAA, TGHAB Spec C, **15**
  
- Edging, Protective – Standard Cabinet, **11**
- Endplate, Terminal – Relay, **22**
  
- Fuse – 10 Amp, 12 Volt Battery Charger, **27**
- Fuse – 10 Amp, 24 Volt Battery Charger, **29**
- Fuse – 2 Amp, 12/24 Volt Battery Charger, **25**
- Fuse – Cabinet – TGHAA, TGHAB Spec A, B, **13**
- Fuse – Cabinet – TGHAA, TGHAB Spec C, **15**
- Fuseblock – Cabinet – TGHAA, TGHAB Spec A, B, **13**
- Fuseblock – Cabinet – TGHAA, TGHAB Spec C, **15**
  
- Gasket, Door – Cabinet – TGHAA, TGHAB Spec A, B, **13**
- Gasket, Door – Cabinet – TGHAA, TGHAB Spec C, **15**
- Gasket, Door – Telecom Cabinet, **17**
- Gasket, Meter Cover – Cabinet – TGHAA, TGHAB Spec C, **15**
- Gateway – Controls Communication Module, **21**
  
- Handle, Keyed – Telecom Cabinet, **17**
- Handle, Locking – Standard Cabinet, **11**
- Harness, Wiring – 10 Amp, 12 Volt Battery Charger, **27**
- Harness, Wiring – 10 Amp, 24 Volt Battery Charger, **29**
- Harness, Wiring – 2 Amp, 12/24 Volt Battery Charger, **25**
- Harness, Wiring – 2 to 3 Wire Convertor, **18**
- Harness, Wiring – Control, **20**
- Harness, Wiring – Main – 100/150 Amp Transfer Switch, **9**
- Harness, Wiring – Main – 30/60 Amp Transfer Switch, **5**
- Harness, Wiring – Manual Override Switch, **19**
- Hinge, Block – Standard Cabinet, **11**
- Holder, Fuse – 10 Amp, 12 Volt Battery Charger, **27**
- Holder, Fuse – 10 Amp, 24 Volt Battery Charger, **29**
- Holder, Fuse – 2 Amp, 12/24 Volt Battery Charger, **25**
  
- Interlock, Mechanical – 100/150 Amp Transfer Switch, **9**
- Interlock, Mechanical – 30/60 Amp Transfer Switch, **5**
  
- Jumper, Load – 30/60 Amp Transfer Switch, **5**
  
- Key, Replacement – Manual Override Switch, **19**
- Key, Replacement – Standard Cabinet, **11**
- Key, Replacement – Telecom Cabinet, **17**
- Kit – 10 Amp, 12 Volt Battery Charger, **27**
- Kit – 10 Amp, 24 Volt Battery Charger, **29**
- Kit – 2 Amp, 12/24 Volt Battery Charger, **25**
- Kit – 2 to 3 Wire Convertor, **18**
- Kit – Program Transition, **7**
  
- Latch, Cam – Telecom Cabinet, **17**
- Latch, Mechanical – 30/60 Amp Transfer Switch, **5**
- Lug, Ground – Transformer – TGHAA, TGHAB Spec A, B, **13**
- Lug, Solderless – 100/150 Amp Transfer Switch, **9**
- Lug, Solderless – Cabinet – TGHAA, TGHAB Spec C, **15**
- Lug, Solderless – Standard Cabinet, **11**
- Lug, Solderless – Telecom Cabinet, **17**
  
- Marker, Strip – Telecom Cabinet, **17**
- Meter, Volt – TGHAA, TGHAB Spec C, **15**

# Index

Modem, External – Controls Communication Module, **21**  
Module, Controls Communication, **21**

Panel, Cabinet – Standard Cabinet, **11**  
Panel, Membrane – Cabinet – TGHAA, TGHAB Spec C, **15**  
Panel, Membrane – Standard Cabinet, **11**  
Pedestal, Mounting – Telecom Cabinet, **17**  
Plate, Adapter – Telecom Cabinet, **17**  
Plate, Base – Cabinet – TGHAA, TGHAB Spec A, B, **13**  
Plate, End – 2 to 3 Wire Convertor, **18**  
Plate, Fuseblock – Cabinet – TGHAA, TGHAB Spec A, B,  
**13**  
Plate, Relay Mounting, **22**  
Plate, Terminal Ground – Cabinet – TGHAA, TGHAB Spec  
C, **15**  
Plug, Hole – Cabinet – TGHAA, TGHAB Spec A, B, **13**  
Plug, Hole – Cabinet – TGHAA, TGHAB Spec C, **15**  
Plug, Hole – Standard Cabinet, **11**  
Plug, Hole – Telecom Cabinet, **17**

Rail, Terminal – 2 to 3 Wire Convertor, **18**  
Rail, Terminal – Relay, **22**  
Rectifier, Bridge – 10 Amp, 12 Volt Battery Charger, **27**  
Rectifier, Bridge – 10 Amp, 24 Volt Battery Charger, **29**  
Rectifier, Gate – 10 Amp, 12 Volt Battery Charger, **27**  
Rectifier, Gate – 10 Amp, 24 Volt Battery Charger, **29**  
Relay, **22**

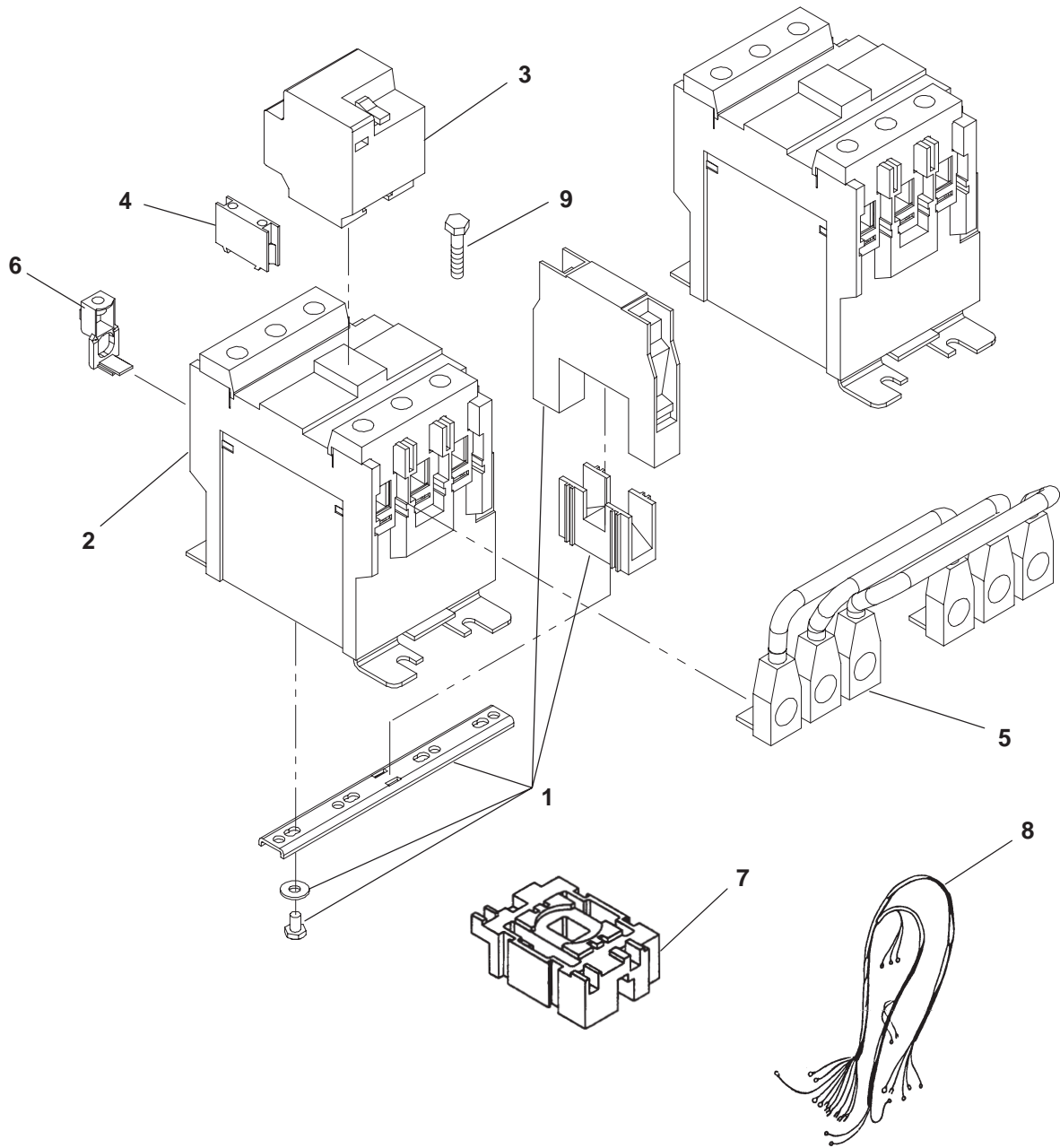
Relay – Control, **20**  
Resistor, Fixed – 2 Amp, 12/24 Volt Battery Charger, **25**

Shield, Meter – Cabinet – TGHAA, TGHAB Spec C, **15**  
Spring, Conical – Cabinet – TGHAA, TGHAB Spec A, B, **13**  
Spring, Conical – Cabinet – TGHAA, TGHAB Spec C, **15**  
Spring, Holddown – Control, **20**  
Standoff, Insulator – Cabinet – TGHAA, TGHAB Spec C, **15**  
Standoff, Insulator – Standard Cabinet, **11**  
Standoff, Insulator – Telecom Cabinet, **17**  
Switch, Manual Override, **19**

Terminal, Solderless – Standard Cabinet, **11**  
Tongue, Latch – Standard Cabinet, **11**  
Transfer Switch Assembly – 100/150 Amp, **7**  
Transfer Switch Assembly – 30/60 Amp, **5**  
Transformer – 10 Amp, 12 Volt Battery Charger, **27**  
Transformer – 10 Amp, 24 Volt Battery Charger, **29**  
Transformer – 2 Amp, 12/24 Volt Battery Charger, **25**  
Transformer – Battery Charger – Controls Communication  
Module, **21**  
Transformer – Standard Cabinet, **11**  
Transformer, Current – TGHAA, TGHAB Spec C, **23**

Wrapper, Charger – 10 Amp, 12 Volt Battery Charger, **27**  
Wrapper, Charger – 10 Amp, 24 Volt Battery Charger, **29**  
Wrapper, Charger – 2 Amp, 12/24 Volt Battery Charger, **25**

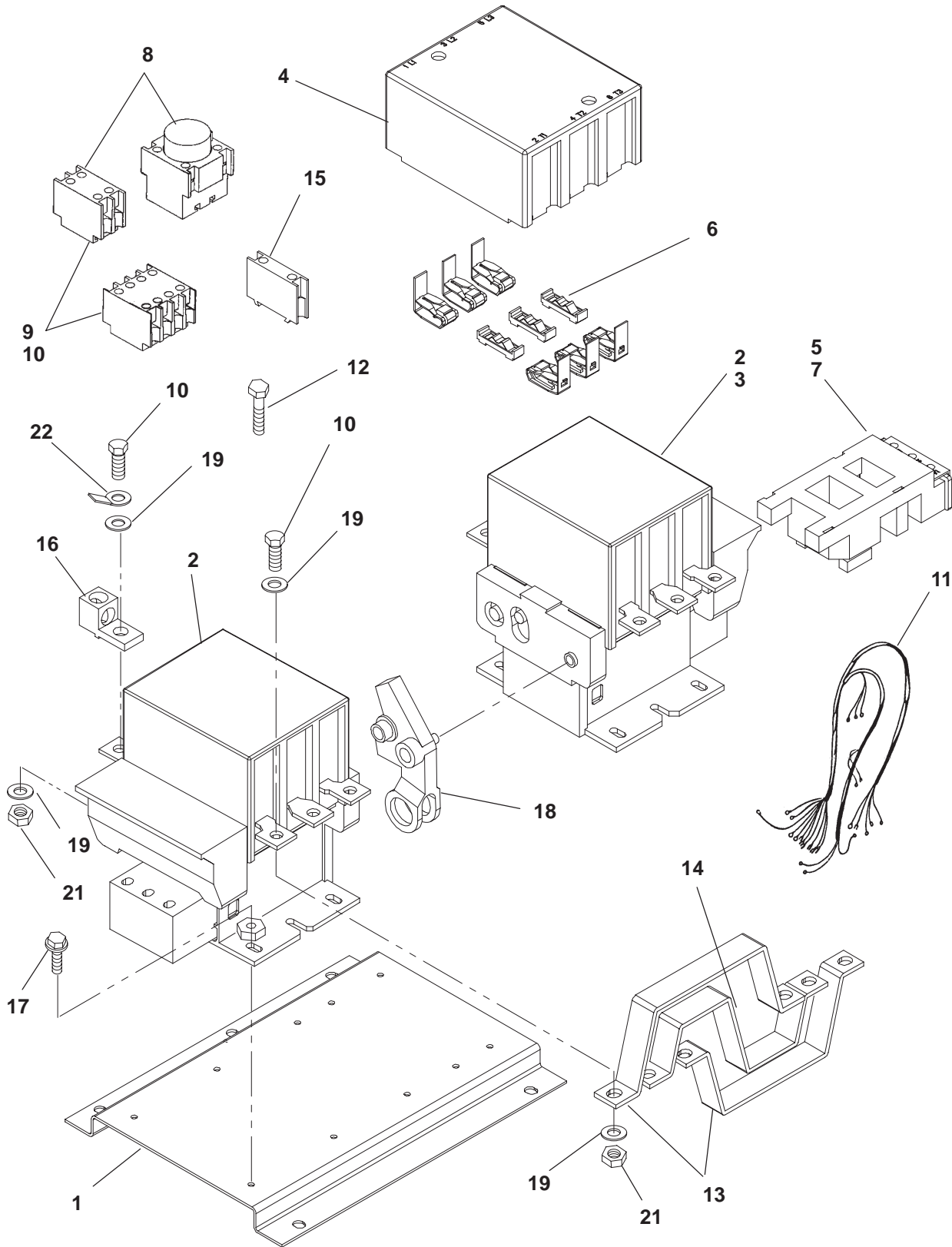
# Transfer Switch 30 – 60 Amp



## Transfer Switch 30 – 60 Amp

REF NO.	PART NO.	QTY USED	PART DESCRIPTION	REF NO.	PART NO.	QTY USED	PART DESCRIPTION
			Transfer Switch Assembly	3			Latch, Mechanical
			<b>30 Amp</b>				<b>30 Amp</b>
	306-4277-01	1	120 VAC – 60 Hz.		306-4335-01	1	120 VAC
	306-4277-02	1	208 VAC – 60 Hz.		306-4335-02	1	208 VAC
	306-4277-03	1	220 VAC – 50/60 Hz.		306-4335-03	1	220, 240 VAC
	306-4277-04	1	240 VAC – 50/60 Hz.		306-4335-04	1	380, 415 VAC
	306-4277-05	1	380 VAC – 50/60 Hz.		306-4335-05	1	440, 480 VAC
	306-4277-06	1	415 VAC – 50/60 Hz.		306-4335-06	1	600 VAC
	306-4277-07	1	440 VAC – 50/60 Hz.				<b>60 Amp</b>
	306-4277-08	1	480 VAC – 60 Hz.		306-4335-11	1	120 VAC
	306-4277-09	1	600 VAC – 60 Hz.		306-4335-12	1	208 VAC
			<b>60 Amp</b>		306-4335-13	1	220, 240 VAC
	306-4278-01	1	120 VAC – 60 Hz.		306-4335-14	1	380, 415 VAC
	306-4278-02	1	208 VAC – 60 Hz.		306-4335-15	1	440, 480 VAC
	306-4278-03	1	220 VAC – 50/60 Hz.		306-4335-16	1	600 VAC
	306-4278-04	1	240 VAC – 50/60 Hz.	4	306-4284-02 A/R		Contact, Auxiliary
	306-4278-05	1	380 VAC – 50/60 Hz.	5			Jumper, Load
	306-4278-06	1	415 VAC – 50/60 Hz.		306-4329	1	30 Amp
	306-4278-07	1	440 VAC – 50/60 Hz.		306-4327	1	60 Amp
	306-4278-08	1	480 VAC – 60 Hz.	6			Terminal, Tap – Control
	306-4278-09	1	600 VAC – 60 Hz.		306-4330	5	30 Amp
1	306-4279	1	Interlock, Mechanical		306-4331	5	60 Amp
2			Contactor	7			Coil, Replacement
			<b>30 Amp</b>		306-4311-01	2	120 VAC – 60 Hz.
	306-4326-01	2	120 VAC – 60 Hz.		306-4311-02	2	208 VAC – 60 Hz.
	306-4326-02	2	208 VAC – 60 Hz.		306-4311-03	2	220 VAC – 50/60 Hz.
	306-4326-03	2	220 VAC – 50/60 Hz.		306-4311-04	2	240 VAC – 50/60 Hz.
	306-4326-04	2	240 VAC – 50/60 Hz.		306-4311-05	2	380 VAC – 50/60 Hz.
	306-4326-05	2	380 VAC – 50/60 Hz.		306-4311-06	2	415 VAC – 50/60 Hz.
	306-4326-06	2	415 VAC – 50/60 Hz.		306-4311-07	2	440 VAC – 50/60 Hz.
	306-4326-07	2	440 VAC – 50/60 Hz.		306-4311-08	2	480 VAC – 60 Hz.
	306-4326-08	2	480 VAC – 60 Hz.		306-4311-09	2	600 VAC – 60 Hz.
	306-4326-09	2	600 VAC – 60 Hz.	8			Harness, Wiring – Main
			<b>60 Amp</b>				<b>Type 1 Cabinet (B001)</b>
	306-4325-01	2	120 VAC – 60 Hz.		338-3655	1	Mechanically Held Both
	306-4325-02	2	208 VAC – 60 Hz.				Sides (A007)
	306-4325-03	2	220 VAC – 50/60 Hz.		338-3656	1	Mechanically Held Line Side
	306-4325-04	2	240 VAC – 50/60 Hz.				(A005)
	306-4325-05	2	380 VAC – 50/60 Hz.				<b>Open Construction (B004)</b>
	306-4325-06	2	415 VAC – 50/60 Hz.		338-3657	1	Mechanically Held Both
	306-4325-07	2	440 VAC – 50/60 Hz.				Sides (A007)
	306-4325-08	2	480 VAC – 60 Hz.		338-3658	1	Mechanically Held Line Side
	306-4325-09	2	600 VAC – 60 Hz.				(A005)
				9	815-0194	6	Screw, Hex Head – Thread
							Forming (#10-32 x .375)

# Transfer Switch 100 – 150 Amp

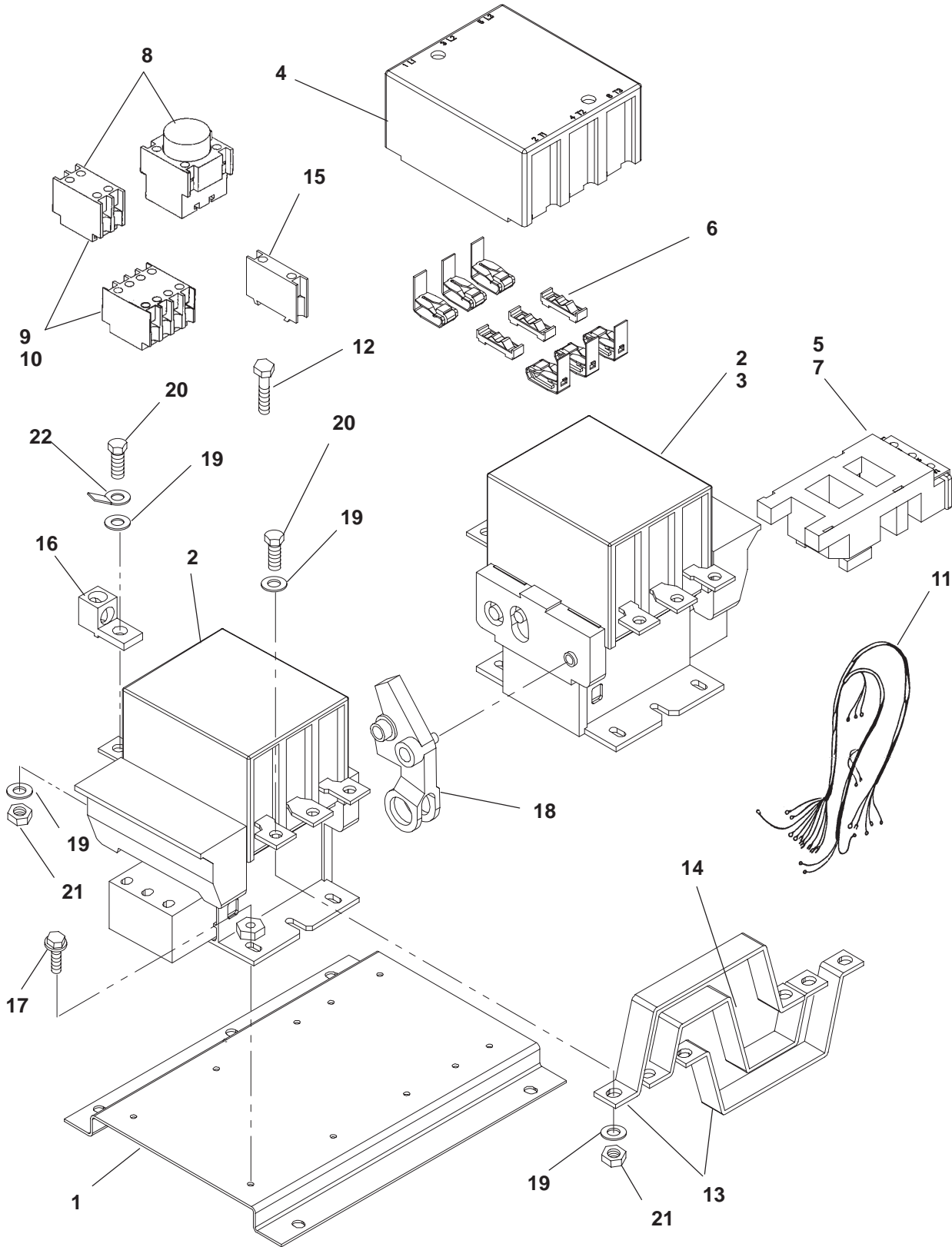




## Transfer Switch 100 – 150 Amp

REF NO.	PART NO.	QTY USED	PART DESCRIPTION	REF NO.	PART NO.	QTY USED	PART DESCRIPTION
			Transfer Switch Assembly	2			Contactor – Mechanically Held Line or Generator Side (A005/A007)
			<b>100 Amp</b>				<b>100 Amp</b>
			<b>Line Side Mechanically Held – Generator Side Electrically Held (A005)</b>				120 VAC – 50/60 Hz.
	306-4318-01	1	120 VAC – 50/60 Hz.		306-4313-01	1	120 VAC – 50/60 Hz.
	306-4318-02	1	208 VAC – 50/60 Hz.		306-4313-03	1	208 VAC – 50/60 Hz.
	306-4318-03	1	220 VAC – 50 Hz.		306-4313-03	1	220 VAC – 50/60 Hz.
	306-4318-04	1	220 VAC – 60 Hz.		306-4313-04	1	240 VAC – 50/60 Hz.
	306-4318-05	1	240/440 VAC – 50 Hz.		306-4313-05	1	380 VAC – 50/60 Hz.
	306-4318-06	1	240/480/600 VAC – 60 Hz.		306-4313-06	1	415 VAC – 50/60 Hz.
	306-4318-07	1	380 VAC – 50 Hz.		306-4313-04	1	440 VAC – 50 Hz.
	306-4318-09	1	380 VAC – 60 Hz.		306-4313-07	1	480 VAC – 50/60 Hz.
	306-4318-10	1	415 VAC – 50/60 Hz.		306-4313-04	1	600 VAC – 60 Hz.
			<b>Both Sides Mechanically Held (A007)</b>				<b>150 Amp</b>
	306-4317-01	1	120 VAC – 50/60 Hz.		306-4314-01	1	120 VAC – 50/60 Hz.
	306-4317-03	1	208/220 VAC – 50/60 Hz.		306-4314-03	1	208/220 VAC – 50/60 Hz.
	306-4317-04	1	240/440/480/600 VAC – 50/60 Hz.		306-4314-04	1	240 VAC – 50/60 Hz.
	306-4317-05	1	380 VAC – 50/60 Hz.		306-4314-05	1	380 VAC – 50/60 Hz.
	306-4317-06	1	415 VAC – 50/60 Hz.		306-4314-06	1	415 VAC – 50/60 Hz.
			<b>150 Amp</b>	3			440/480/600 VAC – 50/60 Hz.
			<b>Line Side Mechanically Held – Generator Side Electrically Held (A005)</b>				Contactor – Electrically Held Generator Side Only (A005)
	306-4320-01	1	120 VAC – 50/60 Hz.				<b>100 Amp</b>
	306-4320-02	1	208 VAC – 50/60 Hz.		306-4313-08	1	120 VAC – 50/60 Hz.
	306-4320-03	1	220 VAC – 50 Hz.		306-4313-09	1	208 VAC – 50/60 Hz.
	306-4320-04	1	220 VAC – 60 Hz.		306-4313-10	1	220 VAC – 50 Hz.
	306-4320-05	1	240/440 VAC – 50 Hz.		306-4313-11	1	220 VAC – 60 Hz.
	306-4320-06	1	240/480/600 VAC – 60 Hz.		306-4313-12	1	240/440 VAC – 50 Hz.
	306-4320-07	1	380 VAC – 50 Hz.		306-4313-13	1	240/480/600 VAC – 60 Hz.
	306-4320-09	1	380 VAC – 60 Hz.		306-4313-14	1	380 VAC – 50 Hz.
	306-4320-10	1	415 VAC – 50/60 Hz.		306-4313-15	1	380 VAC – 60 Hz.
			<b>Both Sides Mechanically Held (A007)</b>		306-4313-16	1	415 VAC – 50/60 Hz.
	306-4319-01	1	120 VAC – 50/60 Hz.				<b>150 Amp</b>
	306-4319-03	1	208/220 VAC – 50/60 Hz.		306-4314-08	1	120 VAC – 50/60 Hz.
	306-4319-04	1	240/440/480/600 VAC – 50/60 Hz.		306-4314-09	1	208 VAC – 50/60 Hz.
	306-4319-05	1	380 VAC – 50/60 Hz.		306-4314-10	1	220 VAC – 50 Hz.
	306-4319-06	1	415 VAC – 50/60 Hz.		306-4314-11	1	220 VAC – 60 Hz.
			<b>Kit, Program Transition .1 – 3.0 Second Delay</b>		306-4314-12	1	240/440 VAC – 50 Hz.
	300-4965-01	1	.1 – 3.0 Second Delay		306-4314-13	1	240/480/600 VAC – 60 Hz.
	300-4965-02	1	.1 – 30 Second Delay		306-4314-14	1	380 VAC – 50 Hz.
			<b>Base, Transfer Switch</b>		306-4314-15	1	380 VAC – 60 Hz.
1	306-4281	1	Base, Transfer Switch		306-4314-16	1	415 VAC – 50/60 Hz.
				4			Chamber, Arc
					306-4290-01	2	100 Amp
					306-4290-02	2	150 Amp
							<b>Continued...</b>

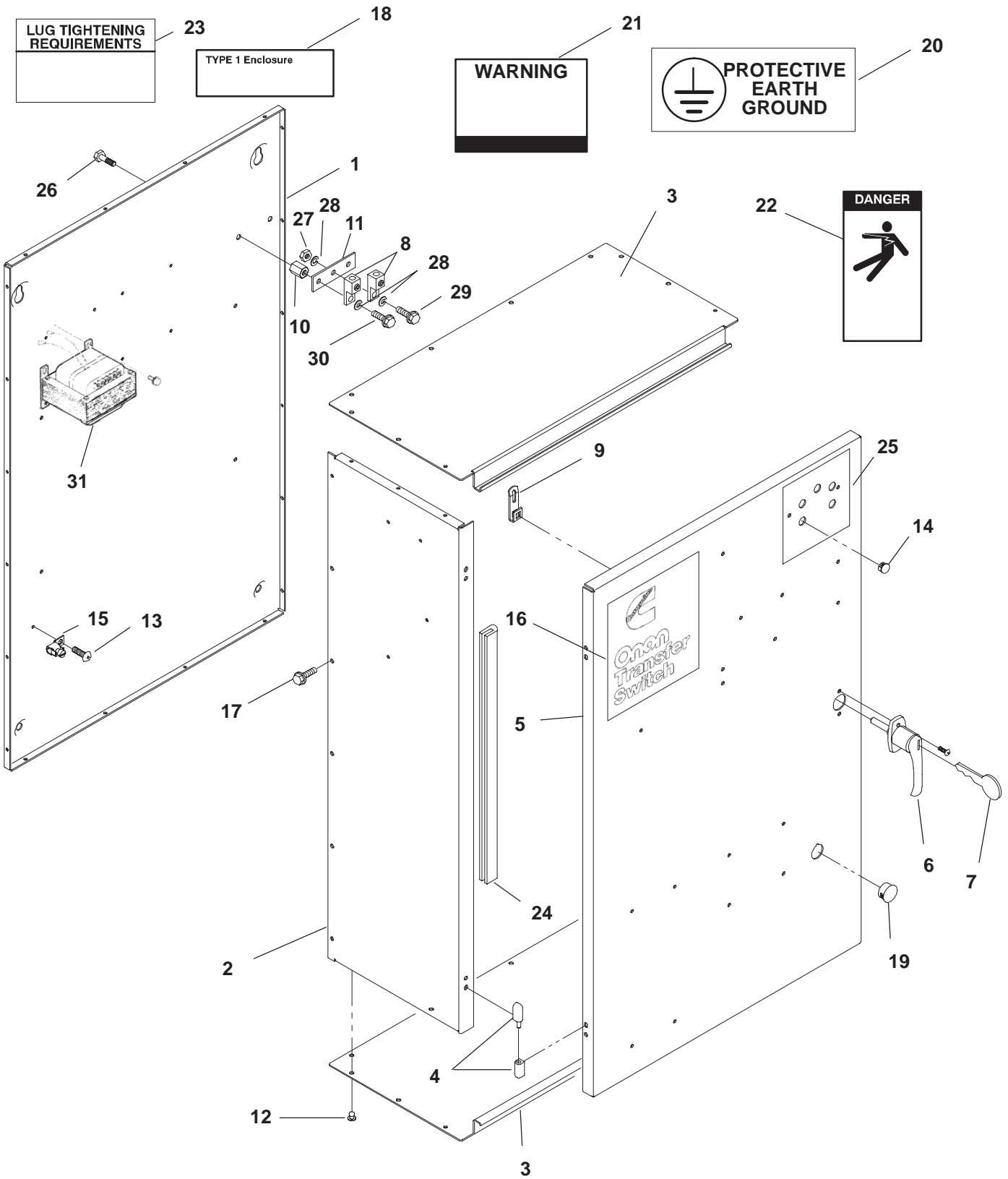
# Transfer Switch 100 – 150 Amp



## Transfer Switch 100 – 150 Amp

REF NO.	PART NO.	QTY USED	PART DESCRIPTION	REF NO.	PART NO.	QTY USED	PART DESCRIPTION
<b>Continued...</b>				9			Block, Contact – Auxiliary
					306-4284-05	1	120 – 415 VAC
5			Coil, Electrically Held Generator Side Only (A005)		306-4284-04	1	440 – 600 VAC
			<b>100 Amp</b>	10			Block, Contact – Auxiliary
	306-4273-01	2	120 VAC – 50/60 Hz.		306-4284-05	1	120 – 415 VAC – Both Sides Held
	306-4273-02	2	208 VAC – 60 Hz.		306-4284-04	1	120 – 415 VAC – Line Side Held
	306-4273-03	2	220 VAC – 50 Hz.		306-4284-04	1	440 – 600 VAC
	306-4273-04	2	220 VAC – 60 Hz.	11			Harness, Wiring – Main
	306-4273-05	2	240/440 VAC – 50 Hz.				<b>120 – 415 VAC</b>
	306-4273-06	2	240/480/600 VAC – 60 Hz.		338-3321	1	Mechanically Held Both Sides (A007)
	306-4273-07	2	380 VAC – 50 Hz.		338-3447	1	Mechanically Held Line Side (A005)
	306-4273-08	2	380 VAC – 60 Hz.				Mechanically Held Line Side (A005) – Open Construction (B004)
	306-4273-09	2	415 VAC – 50 Hz.				Mechanically Held Both Sides (A005) – Open Construction (B004)
			<b>150 Amp</b>				<b>440 – 600 VAC</b>
	306-4274-01	2	120 VAC – 50/60 Hz.		338-3584	1	Type 1 Cabinet (B001)
	306-4274-02	2	208 VAC – 60 Hz.				Open Construction (B004)
	306-4274-03	2	220 VAC – 50 Hz.				Screw, Hex Head – Thread Forming (#10-32 x .375)
	306-4274-04	2	220 VAC – 60 Hz.	12	815-0194	6	Bus Bar – A & C Jumper
	306-4274-05	2	240/440 VAC – 50 Hz.				100 Amp
	306-4274-06	2	240/480/600 VAC – 60 Hz.				150 Amp
	306-4274-07	2	380 VAC – 50 Hz.	13			Bus Bar – B Jumper
	306-4274-08	2	380 VAC – 60 Hz.		337-2960-01	2	100 Amp
	306-4274-09	2	415 VAC – 50 Hz.		337-2960-02	2	150 Amp
6			Contact Set, Replacement	14			Bus Bar – B Jumper
	306-4283-01	1	100 Amp		337-2961-01	1	100 Amp
	306-4283-02	1	150 Amp		337-2961-02	1	150 Amp
7			Coil, Mechanically Held Line or Generator Side (A005/A007)	15	306-4284-02	2	Contact, Auxiliary
			<b>100 Amp</b>	16			Lug, Solderless
	306-4285-01	2	120 VAC – 50/60 Hz.		332-3514-01	9	100 Amp
	306-4285-03	2	208/220 VAC – 50/60 Hz.		332-3492-01	9	150 Amp
	306-4285-04	2	240/440/480/600 VAC – 50/60 Hz.	17	815-0652	7	Screw, Hex Head Slotted (#10-32)
	306-4285-05	2	380 VAC – 50/60 Hz.				Interlock, Mechanical
	306-4285-06	2	415 VAC – 50/60 Hz.				100 Amp
			<b>150 Amp</b>				150 Amp
	306-4286-01	2	120 VAC – 50/60 Hz.	18			Washer, Spring (5/16)
	306-4286-03	2	208/220 VAC – 50/60 Hz.		306-4312-01	2	100 Amp
	306-4286-04	2	240/440/480/600 VAC – 50/60 Hz.		306-4312-02	2	150 Amp
	306-4286-05	2	380 VAC – 50/60 Hz.	19	851-0028	24	Screw, Cap – Hex Head (5/16-20 x 1)
	306-4286-06	2	415 VAC – 50/60 Hz.	20	800-0028	12	Nut, Hex (5/16)
8			Block, Contact – Auxiliary	21	862-0015	12	Terminal, Ring
	306-4284-03	1	W/O Programmed Transition	22	332-2463	5	
	306-4284-07	1	.1 – 3.0 Programmed Transition (J027)				
	306-4284-08	1	.1 – 30 Programmed Transition (J028)				

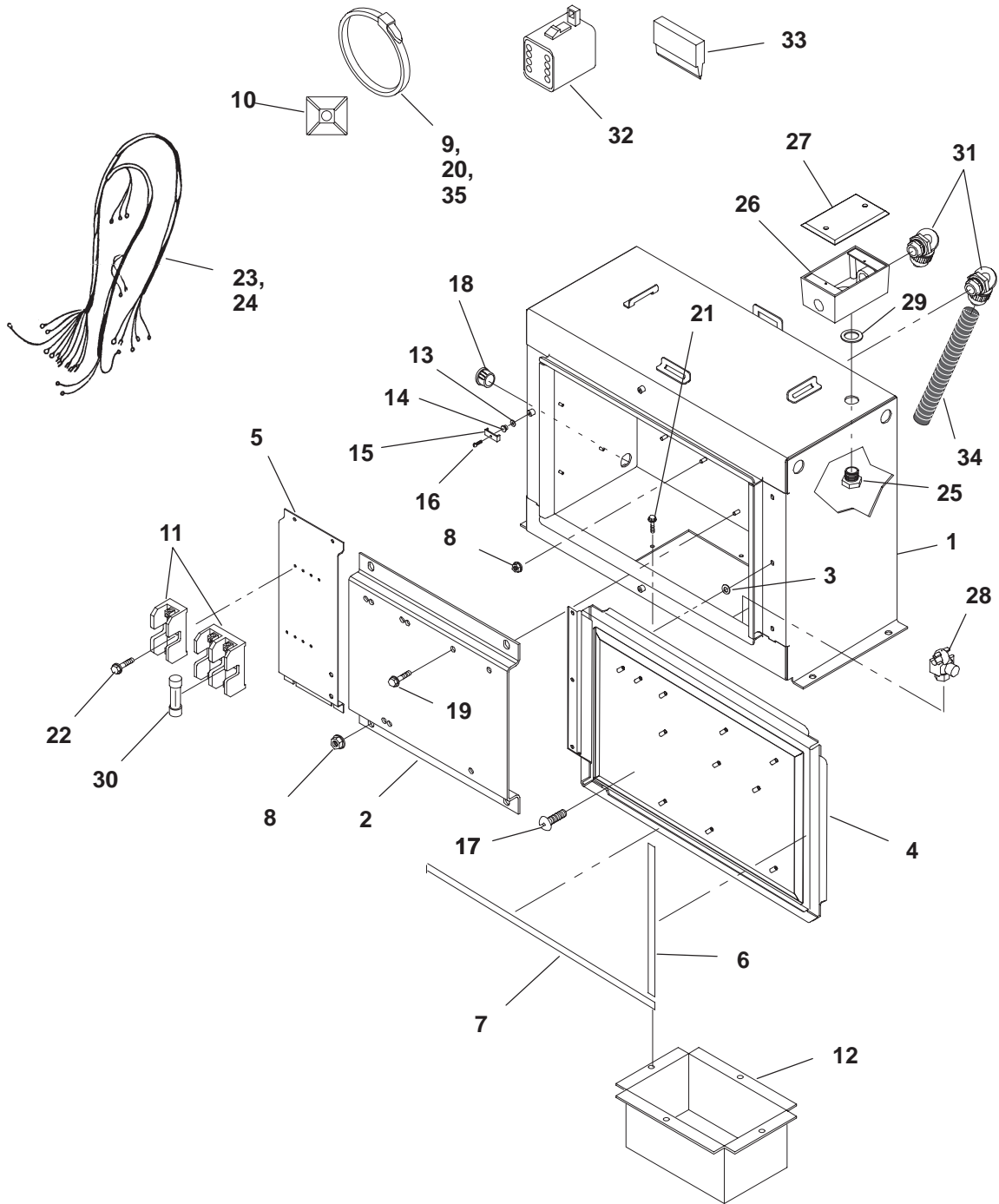
# Cabinet Standard



## Cabinet Standard

REF NO.	PART NO.	QTY USED	PART DESCRIPTION	REF NO.	PART NO.	QTY USED	PART DESCRIPTION
1	319-2792	1	Panel, Back	18	098-6118	1	Label, Cabinet
2	319-2730	2	Panel, Side	19	517-0137	1	Plug, Hole
3	319-2790	2	Panel, Top and Bottom	20	098-6635	1	Label, Ground
4	406-0810	2	Hinge, Block	21	098-5777-01	1	Label, Warning
5	319-2794	1	Door, Control Box	22	098-5387	2	Label, Danger
6	406-0809	1	Handle, Locking	23	098-6367	1	Label, Torque
7	406-0565	1	Key, Replacement	24	508-1045	1	Edging, Protective
8			Lug, Solderless	25	300-4809	1	Panel, Membrane (Control Package B)
	332-3514-01	3	30/60/100 Amp				
	332-3492-01	3	150 Amp	26	800-0002	2	Screw, Cap – Hex Head (1/4-20 x 3/8)
9	406-0089	1	Tongue, Latch	27	862-0001	1	Nut, Hex (1/4-20)
10	332-2370	2	Standoff, Insulator	28	851-0027	4	Washer, Lock – Spring (1/4)
11	337-2317	1	Bar, Neutral	29	800-0007	1	Screw, Cap – Hex Head (1/4-20 x 1.00)
12	818-0217-01	28	Rivet	30	800-0005	2	Screw, Cap – Hex Head (1/4-20 x 3/4)
13	815-0389	1	Screw, Hex Washer Head – Thread Forming (1/4-20 x .375)	31			Transformer
14	517-0133	5	Plug, Hole (Control Package A)				480/600 VAC
15	332-0142	1	Terminal, Solderless		315-0787-01	2	440 VAC
16	098-7172	1	Label, Onan Logo		315-0789-01	2	
17	815-0903-03	4	Screw, Cap – Hex Head (#10-32 x .50)				

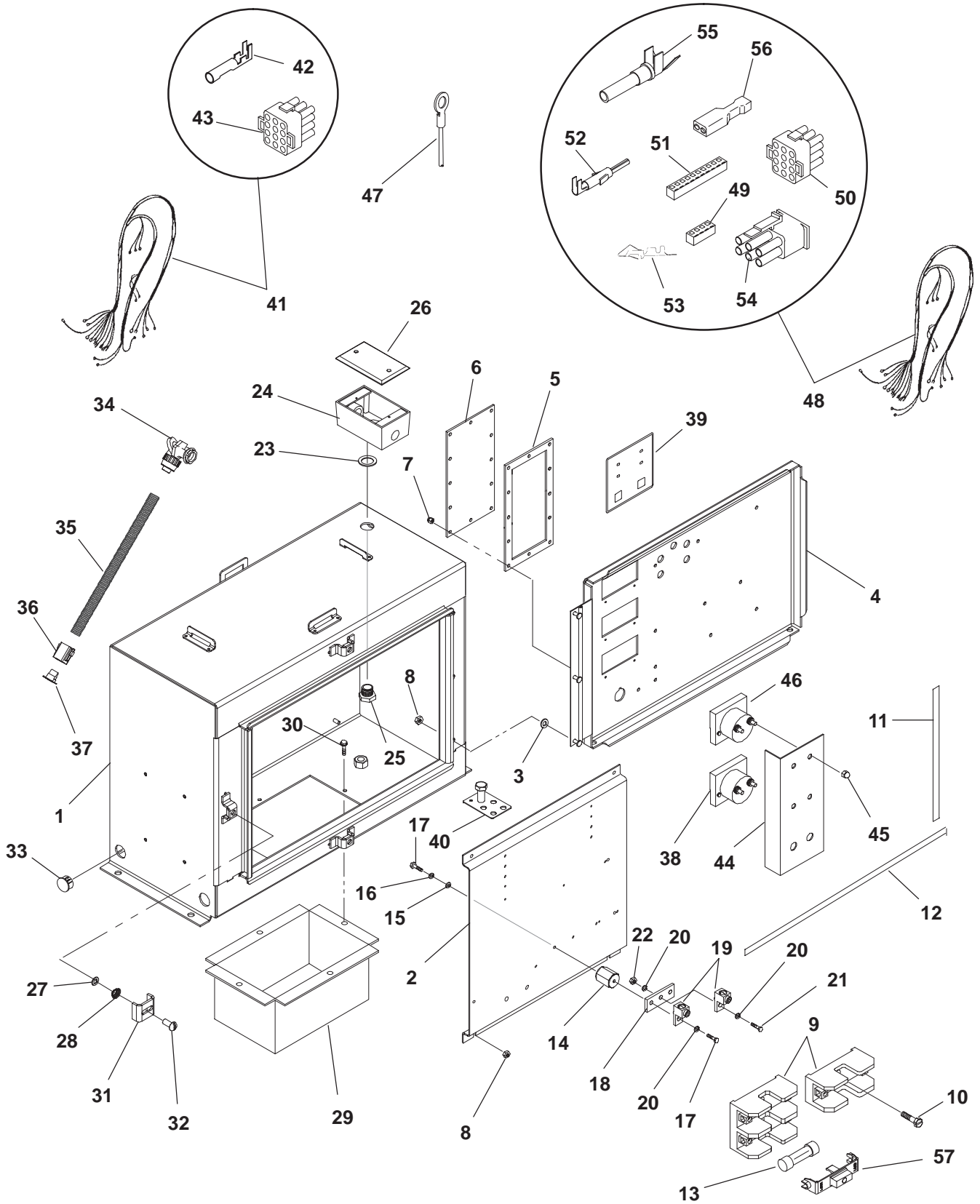
**Cabinet  
TGHAA, TGHAB  
Spec A, B**



**Cabinet  
TGHAA, TGHAB  
Spec A, B**

REF NO.	PART NO.	QTY USED	PART DESCRIPTION	REF NO.	PART NO.	QTY USED	PART DESCRIPTION
1	319-3085	1	Cabinet	21	815-0389	4	Screw, Hex Washer Head – Thread Forming (1/4-20 x .375)
2	319-3173	1	Plate, Base				
3	508-0233	3	Washer, Rubber				
4	319-3089	1	Door, Cabinet	22			Screw, Hex Head – Slotted (#10-32 x .50)
5	319-3092	1	Plate, Fuseblock				
6	895-0376-01	2	Gasket, Door		815-0652	8	30 Amp
7	895-0376-02	2	Gasket, Door		815-0652	4	60 Amp
8	870-0131	12	Nut, Hex – W/ET (#10-32)	23	338-3567	1	Harness, Control
9	332-2877	1	Tie, Cable (8.0")	24			Harness, Main
10	332-2420	3	Mount, Tie – Cable		338-3659	1	30 Amp
11			Fuseblock – Class J		338-3566	1	60 Amp
	321-0356-02	2	30 Amp	25	331-0558	1	Bushing, Threaded
	321-0356-04	2	60 Amp	26	330-0147-01	1	Box, Junction
12	319-3093	1	Barrier, Foam	27	330-0148	1	Cover, Blank
13	526-0022	3	Washer, Flat (5/16)	28	332-3510	1	Lug, Ground – Transformer
14	406-0519	3	Spring, Conical	29	509-0180	1	O-Ring
15	301-6727	3	Bracket, Door	30			Fuse, JKS
16	812-0177	3	Screw, Machine – Round Head (5/16-18 x 3/4)		321-0355-01	4	30 Amp
					321-0355-03	2	60 Amp
17	815-0902	11	Screw, Pan Head – Cross Recessed (#6-32 x .375)	31	331-0559	2	Connector, Liquidtite
				32	323-1541	1	Plug, 8 Pin
18	517-0266	4	Plug, Hole	33	323-1543	1	Wedge, Plug – 8 Pin
19	815-0194	12	Screw, Hex Head – Thread Cutting (#10-32 x .375)	34	898-1195-08 A/R		Sleeving, Convoluted
				35	332-0942 A/R		Tie, Cable (3.62")
20	332-0941	1	Tie, Cable (7.31")				

# Cabinet TGHAA, TGHAB Spec C





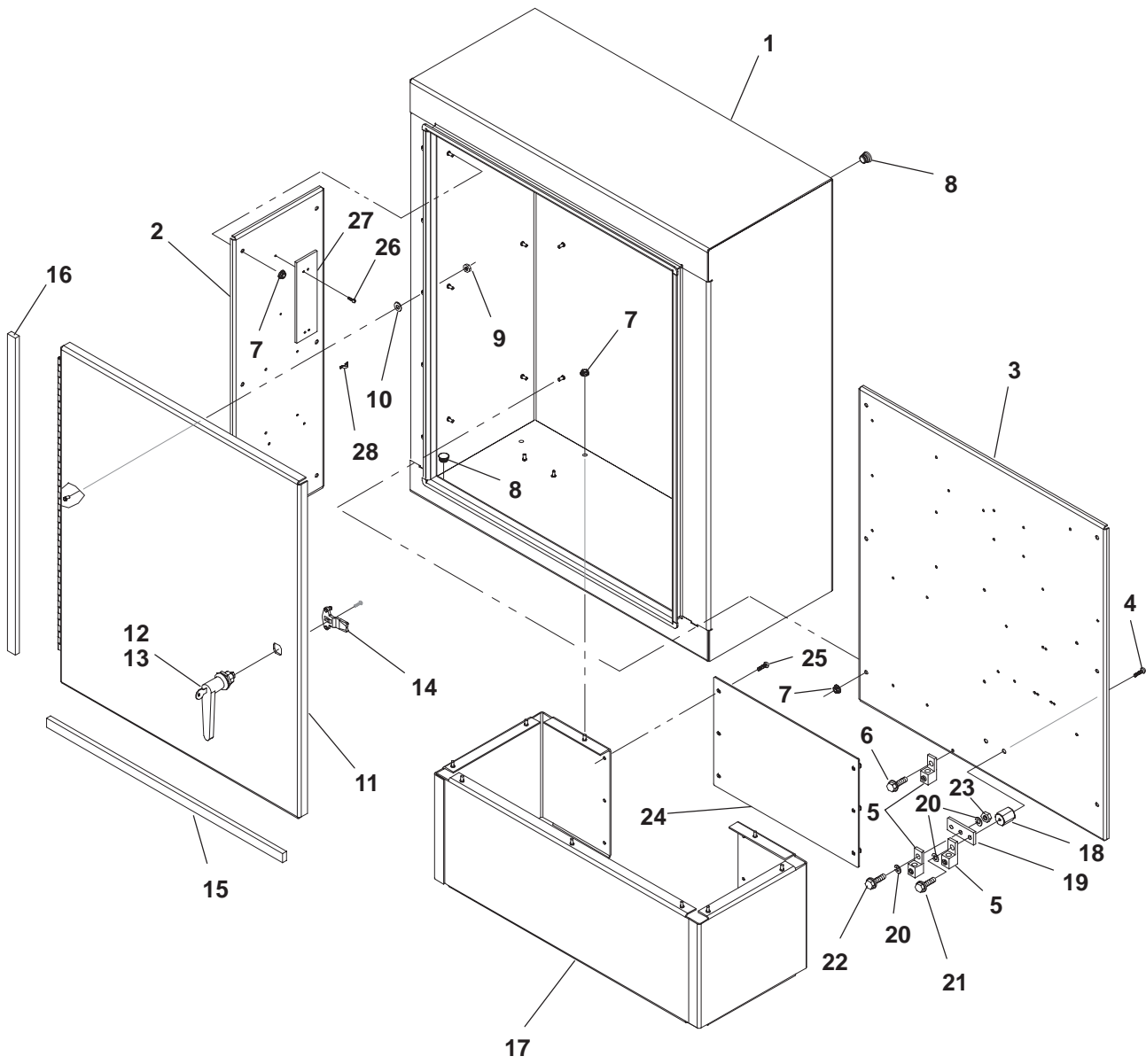
**Cabinet  
TGHAA, TGHAB  
Spec C**

REF NO.	PART NO.	QTY USED	PART DESCRIPTION	REF NO.	PART NO.	QTY USED	PART DESCRIPTION
1	319-3590-02	1	Box, Control	32	812-0177	3	Screw, Machine – Round Head (5/16–18 x 3/4)
2	319-3609-02	1	Base, Mounting				
3	508-0233	3	Washer, Rubber	33	517-0266	5	Plug, Hole
4			Door, Control Cabinet	34	331-0559	1	Connector, Liquidtite
	319-3089-01	1	Standard	35	898-1195-08 A/R		Sleeving, Convoluted
	319-3458-04	1	2 Meters	36	323-1541	1	Plug (8 Pin)
	319-3458-03	1	3 Meters	37	323-1543	1	Plug, Wedge (8 Pin)
5	319-3588	1	Gasket, Meter Cover	38			Ammeter – AC
6	319-3587	1	Cover, Meter		302-1805-01	2	30 Amp
7	870-0386	12	Nut, Acorn – With Meters (#8–32)		302-1678	1	60 Amp
8	870-0131	11	Nut, Hex (#10–32)	39	300-4809	1	Panel, Membrane
9			Fuseblock – Class J	40	319-3658-02	1	Plate, Terminal Ground
	321-0356-02	2	30 Amp	41	338-3567	1	Harness, Wiring – Control (Includes Parts Marked *)
	321-0356-04	2	60 Amp	42	323-1200	9	* Socket, Contact
10	815-0652	4	Screw, Hex Head – Slotted – Thread Forming (#10–32 x 1/2")	43	323-1315	1	* Cap, Connector (12 Place) (J1)
11	895-0376-01	2	Gasket, Door	44	306-3464	1	Shield, Meter
12	895-0376-02	2	Gasket, Door	45	870-0439	6	Nut, Acorn – With Meters (1/4–28)
13			Fuse, JKS	46			Meter, Volt
	321-0355-01	4	30 Amp		302-1175	1	240 VAC
	321-0355-03	2	60 Amp		302-1692	1	120 VAC
14	332-2370	2	Standoff, Insulator	47			Lead
15	526-0018	2	Washer, Flat (1/4")		226-4786-01	1	Marked F1-1 — K1-L1
16	850-0040	2	Washer, Lock (1/4")		226-4786-02	1	Marked F2-1 — K2-L1
17	800-0002	2	Screw, Cap – Hex Head (1/4–20 x .375)		226-4786-03	1	Marked F3-1 — K1-L3
					226-4786-04	1	Marked F4-1 — K2-L3
18	337-2317	1	Bar, Neutral	48	338-3789	1	Harness, Wiring – Main (Includes Parts Marked #)
19	332-3514-01	3	Lug, Solderless				# Housing, Connector (4 Pin) (P3)
20	851-0027	4	Washer, Spring (1/4)	49	323-1374-04	1	# Housing, Connector (4 Pin) (P3)
21	800-0007	1	Screw, Cap – Hex Head (1/4–20 x 1)	50	323-1314	1	# Plug, Connector (12 Pin) (P1)
22	862-0001	1	Nut, Hex (1/4–20)	51	323-1374-10	1	# Housing, PCB (10 Pin) (P4)
23	509-0346	1	O-Ring	52	323-1199	13	# Pin, Contact (P6)
24	330-0147-01	1	Box, Junction	53	323-1302	11	# Pin, Contact (P4)
25	331-0558	1	Bushing, Threaded (1/2–14)	54	323-1317	1	# Plug (6 Pin) (P6)
26	330-0148	1	Cover, Blank	55	323-1492	7	# Socket, Contact (P8)
27	526-0022	3	Washer, Flat (5/16")	56	332-2431	1	# Socket, Electrical (J7)
28	406-0519	3	Spring, Conical	57			Cover, Fuse
29	319-3093	1	Barrier, Foam		321-0366	4	30 Amp
30	815-0389	4	Screw, Hex Washer Head – Thread Forming (1/4–20 x .375)		321-0366	2	60 Amp
31	301-6727	3	Bracket, Door				

\* – Parts Included in 338-3567 Wiring Harness

# – Parts Included in 338-3789 Wiring Harness

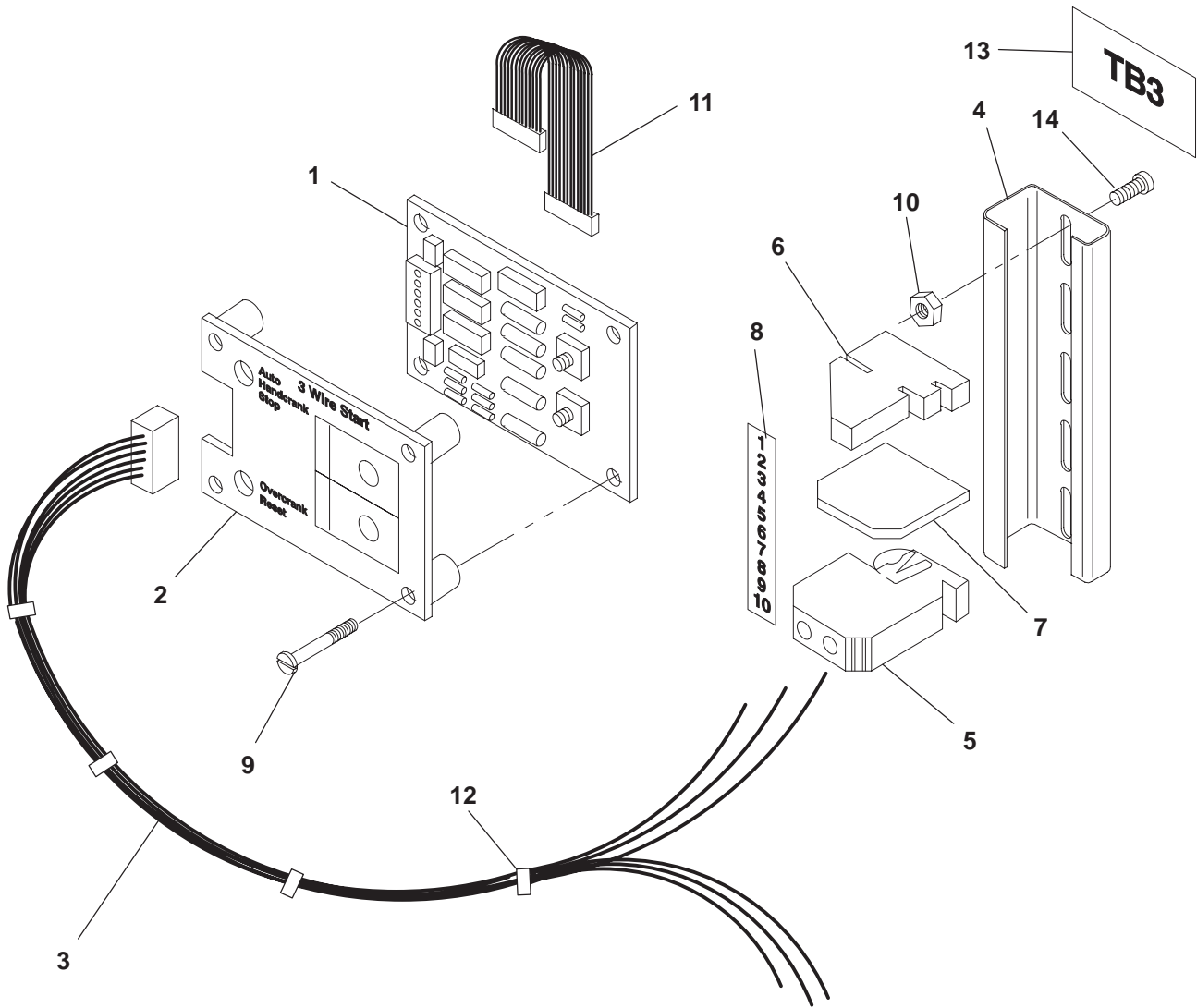
# Cabinet Telecom



## Cabinet Telecom

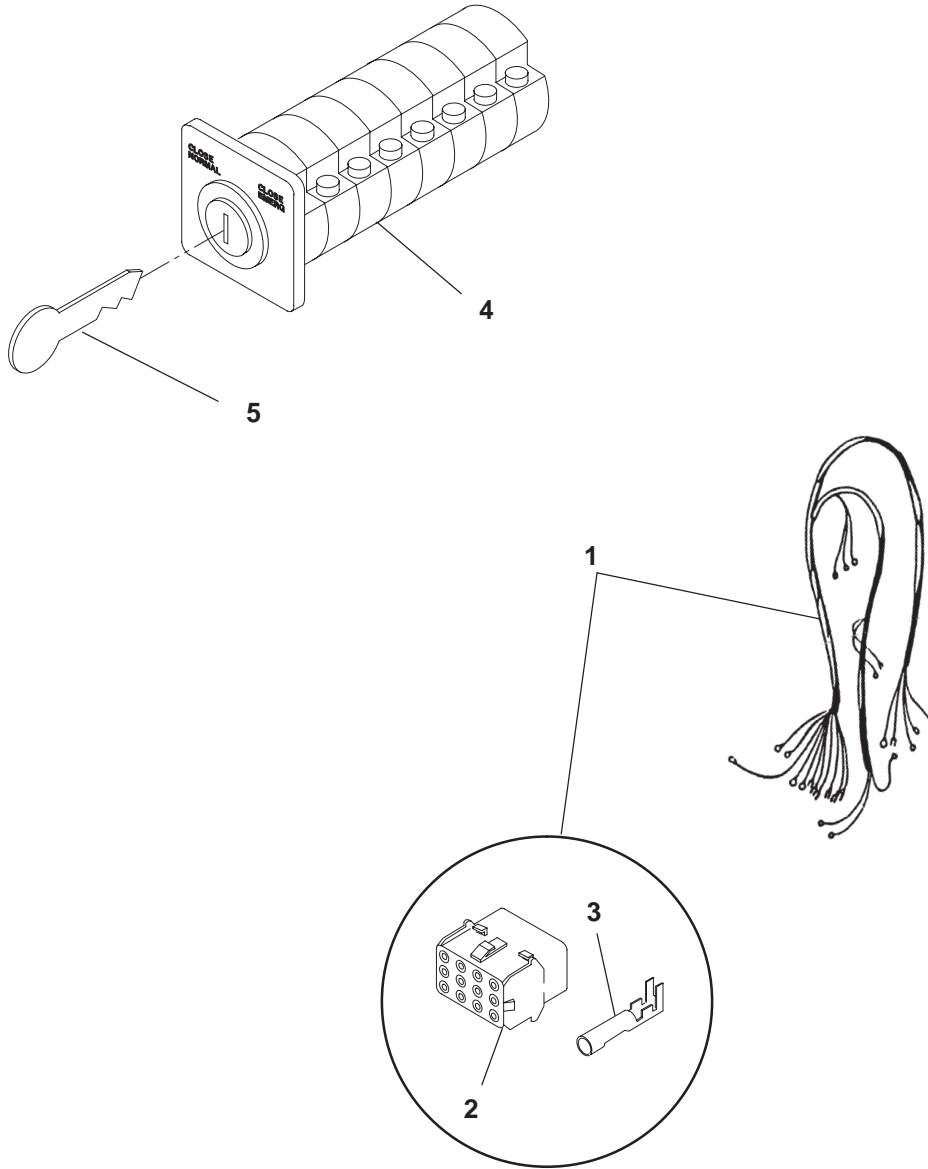
REF NO.	PART NO.	QTY USED	PART DESCRIPTION	REF NO.	PART NO.	QTY USED	PART DESCRIPTION
1	319-3632-01	1	Box, Control	15	895-0293-01	2	Gasket, Door
2	319-3634-01	1	Plate, Adapter	16	895-0293-02	2	Gasket, Door
3	319-3633-01	1	Plate, Adapter (Back)	17	319-3593-01	1	Pedestal, Mounting – Cabinet
4	800-0002	2	Screw, Cap – Hex Head (1/4-20 x .375)	18	332-2370	2	Standoff, Insulator
5	332-3514-02	4	Lug, Solderless	19	337-2317	1	Bar, Neutral
6			Screw, Hex Washer Head – Thread Forming (1/4-20 x .375)	20	851-0027	4	Washer, Spring (1/4)
	815-0389	1	30 – 60 Amp	21	800-0005	2	Screw, Cap – Hex Head (1/4-20 x .750)
	815-0389	5	100 – 150 Amp	22	800-0007	1	Screw, Cap – Hex Head (1/4-20 x 1.00)
7	870-0212	21	Nut, Locking (1/4-20)	23	862-0001	1	Nut, Hex (1/4-20)
8	517-0266	4	Plug, Hole	24	319-3619-01	1	Panel, Front – Pedestal
9	870-0320	5	Nut, Locking (#10-32)	25	815-0538	6	Screw, Machine – Round Head – W/IT (#8-32 x .50)
10	508-0233	5	Washer, Rubber	26	815-0901-06	2	Screw, Cross Recessed – Thread Cutting (#6-32 x .625)
11	319-3589-01	1	Door, Control				Marker, Strip
12	406-0613	1	Handle, Keyed	27	332-3515	1	
13	406-0649	1	Key, Replacement	28	332-1045	1	Jumper, Terminal Board
14	306-3525	1	Latch, Cam (3 Point)				

## 2 to 3 Wire Convertor



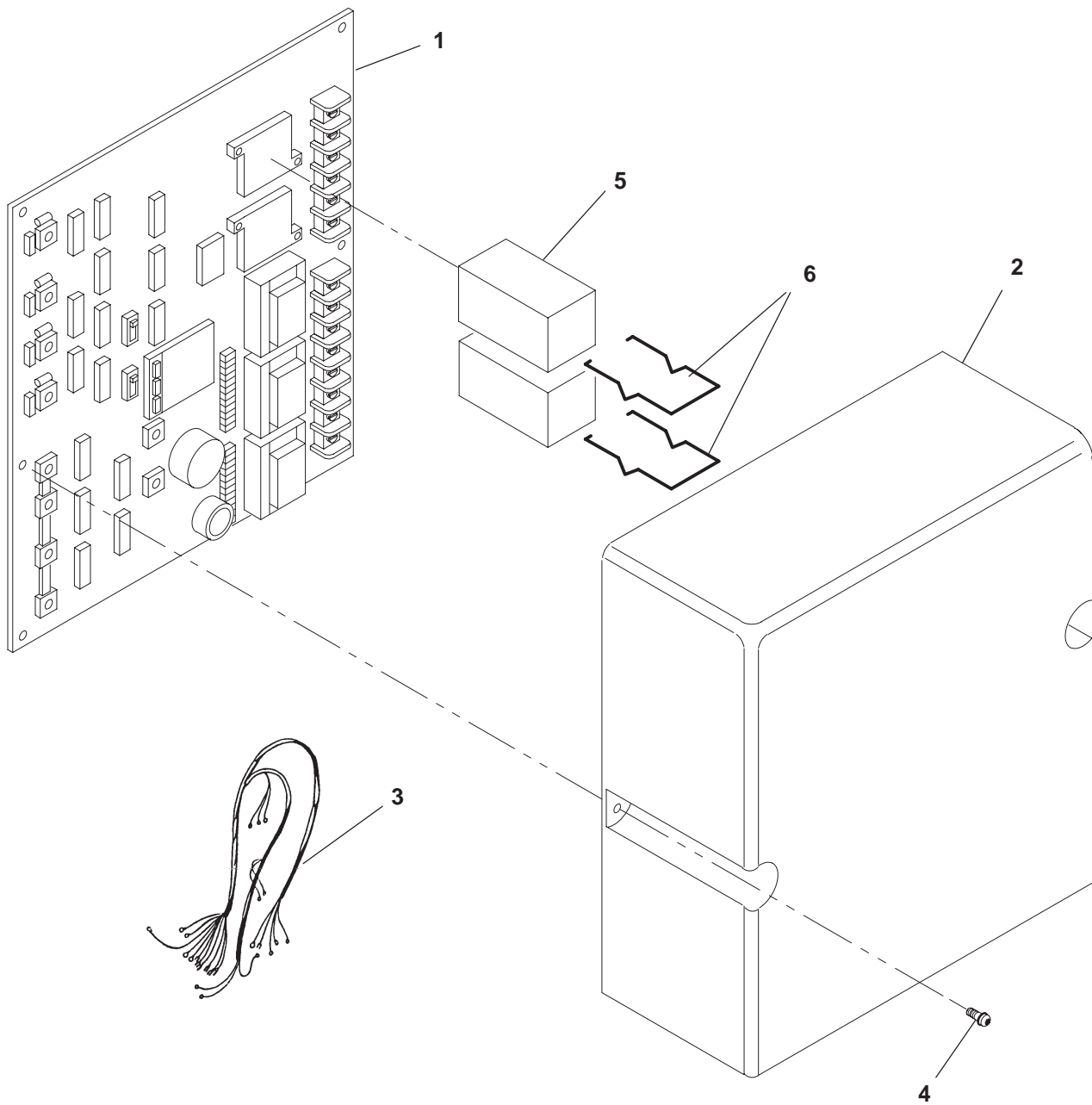
REF NO.	PART NO.	QTY USED	PART DESCRIPTION	REF NO.	PART NO.	QTY USED	PART DESCRIPTION
	300-3167	1	Kit, 2 to 3 Wire Convertor	8	332-2842-11	2	Tag, Terminal (1-10)
1	300-4054	1	Board, Printed Circuit - 2 to 3 Wire Convertor	9	815-0899	4	Screw, Pan Head - Cross Recessed W/ET (#6-32 x 1.00)
2	319-1502	1	Cover, Start - 3 Wire (Includes Label)	10	870-0221	2	Nut, Lock W/ET (#8-32)
3	338-2142	1	Harness, Wiring - 3 Wire Start	11	323-1468	1	Pin and Ribbon Assembly
4	332-2837-09	1	Rail, Terminal	12	332-0942	12	Tie, Cable
5	332-2836-02	1	Block, Terminal - Sectional	13	098-5710	1	Label, Block - Terminal
6	332-2839	2	Bracket, End - Terminal	14	812-0077	2	Screw, Machine - Round Head (#8-32 x 3/8)
7	332-2841	1	Plate, End - Terminal				

## Manual Override Switch



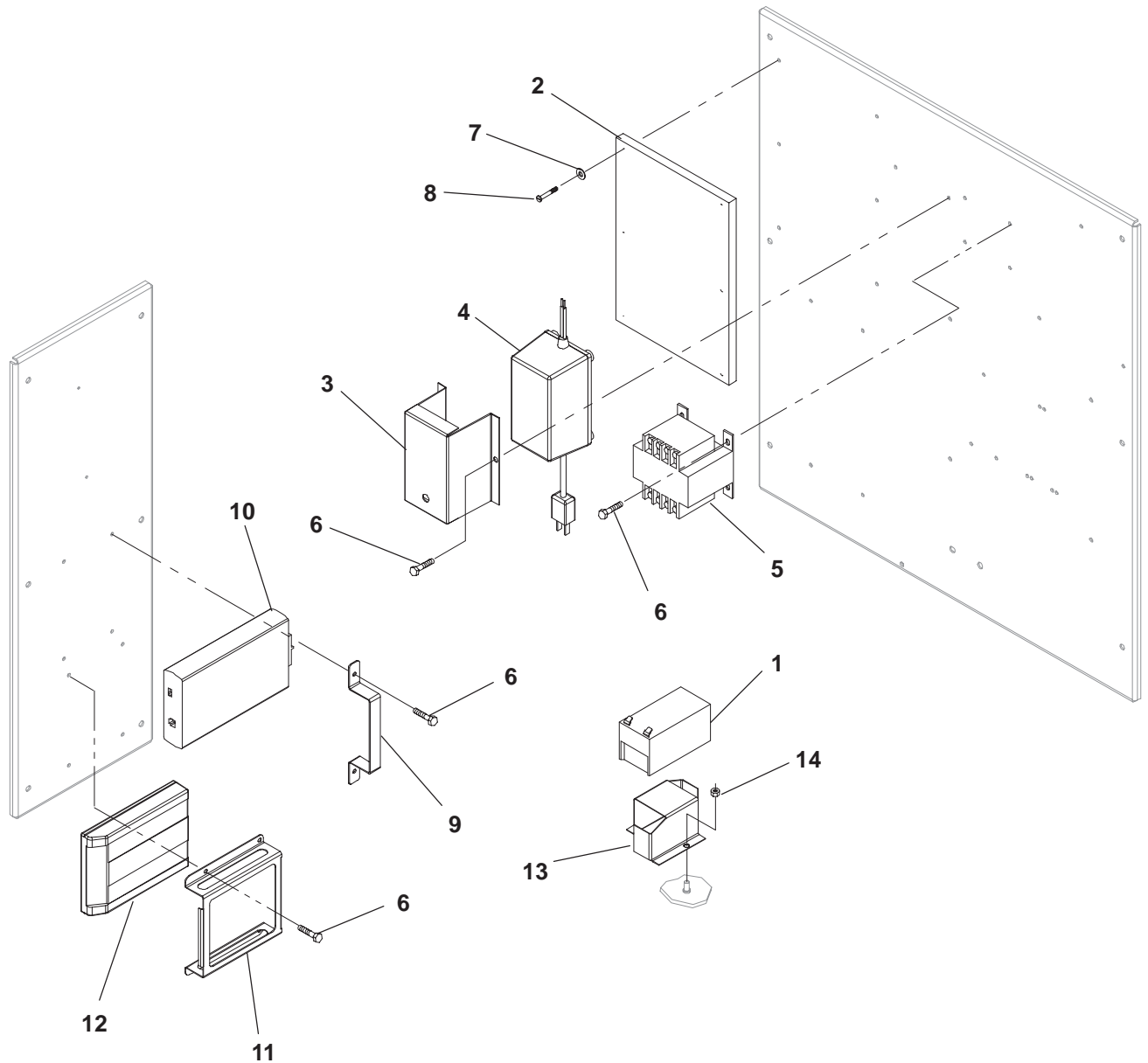
REF NO.	PART NO.	QTY USED	PART DESCRIPTION	REF NO.	PART NO.	QTY USED	PART DESCRIPTION
1	338-3448	1	Harness, Control (Includes Cap and Sockets)	3	323-1200	9	Socket, Contact
2	323-1315	1	Cap, Connector (12 Place)	4	308-1070	1	Switch, Selector
				5	308-1078	1	Key, Replacement (fits item 4)

# Control



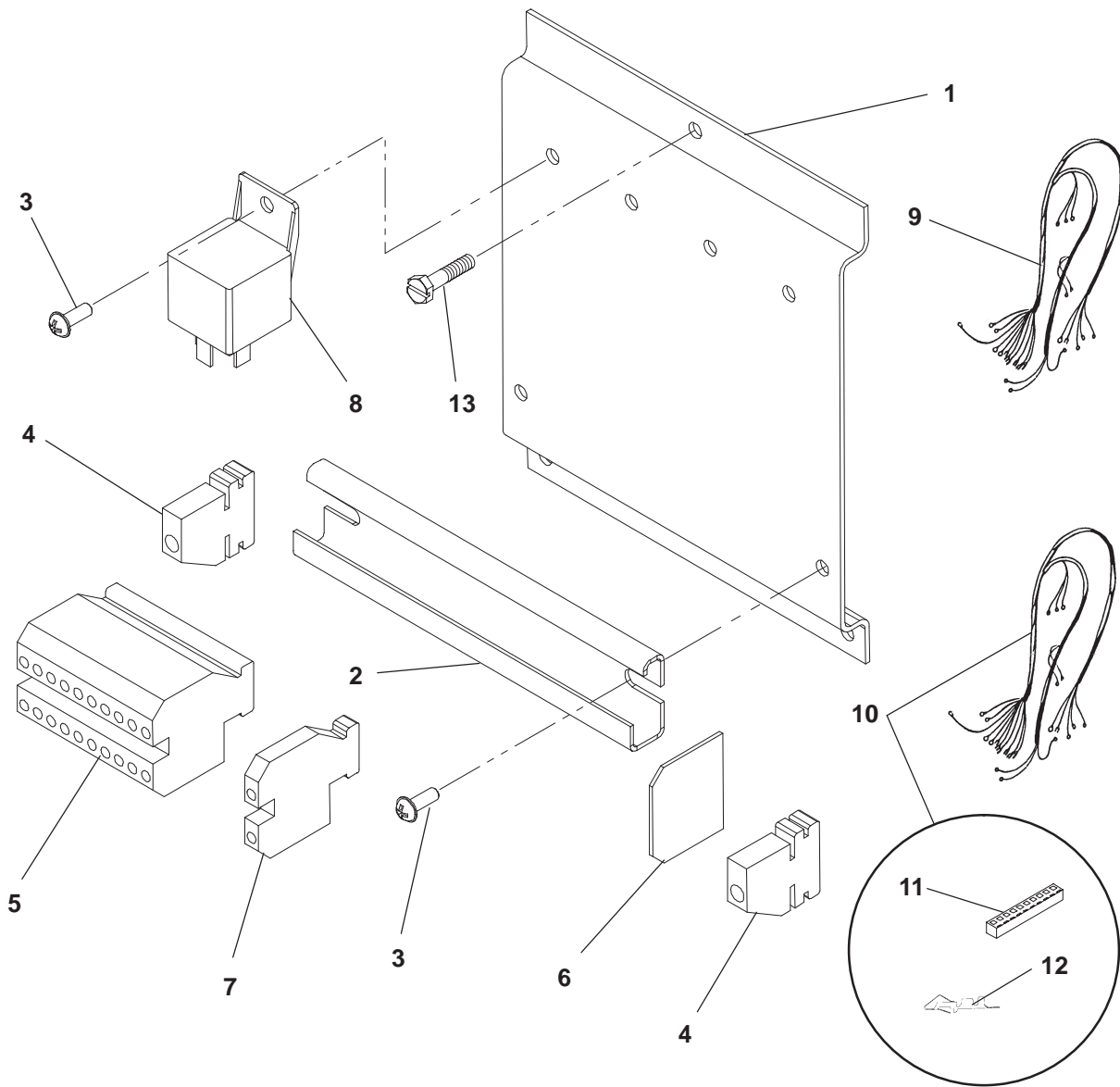
REF NO.	PART NO.	QTY USED	PART DESCRIPTION	REF NO.	PART NO.	QTY USED	PART DESCRIPTION
1			PCB, Control	2			Cover, Control
	300-4754-01	1	Control Package A (C021)		306-4309	1	Black Finish – Without Holes
	300-4754-02	1	208-480 Volt		319-3594	1	Clear Finish – With Holes
	300-4754-03	1	120 Volt	3			Harness, Control
			600 Volt		338-3581	1	With Manual Override
	300-4750-01	1	Control Package B (C022)		338-3349	1	W/O Manual Override
	300-4750-02	1	208-480 Volt	4	815-0902	2	Screw, Machine – Round Head –
	300-4750-03	1	120 Volt				Cross Recessed – W/ET
			600 Volt				(#6-32 x .375)
				5	307-1058-01	2	Relay – 12 VDC (K1, K2)
				6	307-1157	2	Spring, Holddown

## Controls Communication Module



REF NO.	PART NO.	QTY USED	PART DESCRIPTION	REF NO.	PART NO.	QTY USED	PART DESCRIPTION
1	416-1032-01	1	Battery, Lead - Acid	8	815-0905-08	6	Screw, Cross Recessed - Thread Forming (#10-32 x .875)
2	300-4605	1	Module, Controls Communication	9	319-2738-01	2	Bracket, Mounting - Network Gateway Module
3	319-2963	1	Cover, Battery Charger	10	300-4718-02	1	Gateway
4	300-4865	1	Charger, Battery	11	319-3161	1	Bracket, Modem
5	315-0621-01	1	Transformer - Battery Charger	12	300-5167	1	Modem, External
6	815-0194	14	Screw, Hex Head - Thread Forming (#10-32 x .375)	13	319-2962	1	Cover, Battery
7	526-0008	6	Washer, Flat (1/2")	14	870-1221	2	Nut, Hex - W/ET (#8-32)

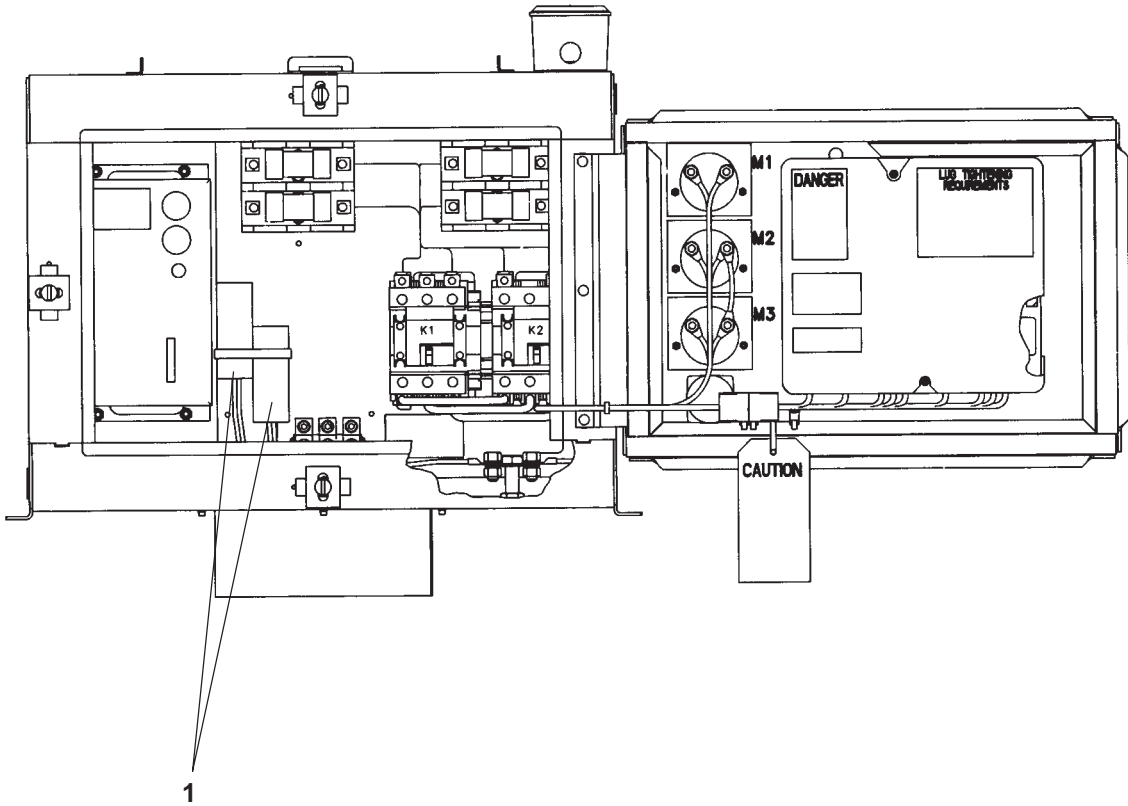
# Relay



REF NO.	PART NO.	QTY USED	PART DESCRIPTION	REF NO.	PART NO.	QTY USED	PART DESCRIPTION
1	319-3478-02	1	Plate, Relay Mounting	8	307-1886	4	Relay (K11-K14)
2	332-2837-10	1	Rail, Terminal	9			Harness, Wiring - Alarm
3	815-0446	6	Screw, Round Head - Thread Forming - W/IT (#8-32 x 1/2")		338-3788	1	Telecom
4	332-2839	2	Bracket, End - Terminal		338-3726	1	TGHAA, TGHAB
5	332-2836-02	1	Block, Terminal - Sectional (10 Pole Block)	10	338-3725	1	Harness, Wiring - Main (Includes Connector and Pins) TGHAA, TGHAB
6	332-2841	1	Endplate, Terminal	11	323-1374-10	1	Housing, Connector (10 Pin) (J2)
7			Block, Terminal - Sectional (Single Pole)	12	323-1302	6	Pin, Contact (J2)
	332-2836-01	7	Telecom	13	815-0194	3	Screw, Hex Head - Thread Forming (#10-32 x .375)
	332-2836-01	5	TGHAA, TGHAB				

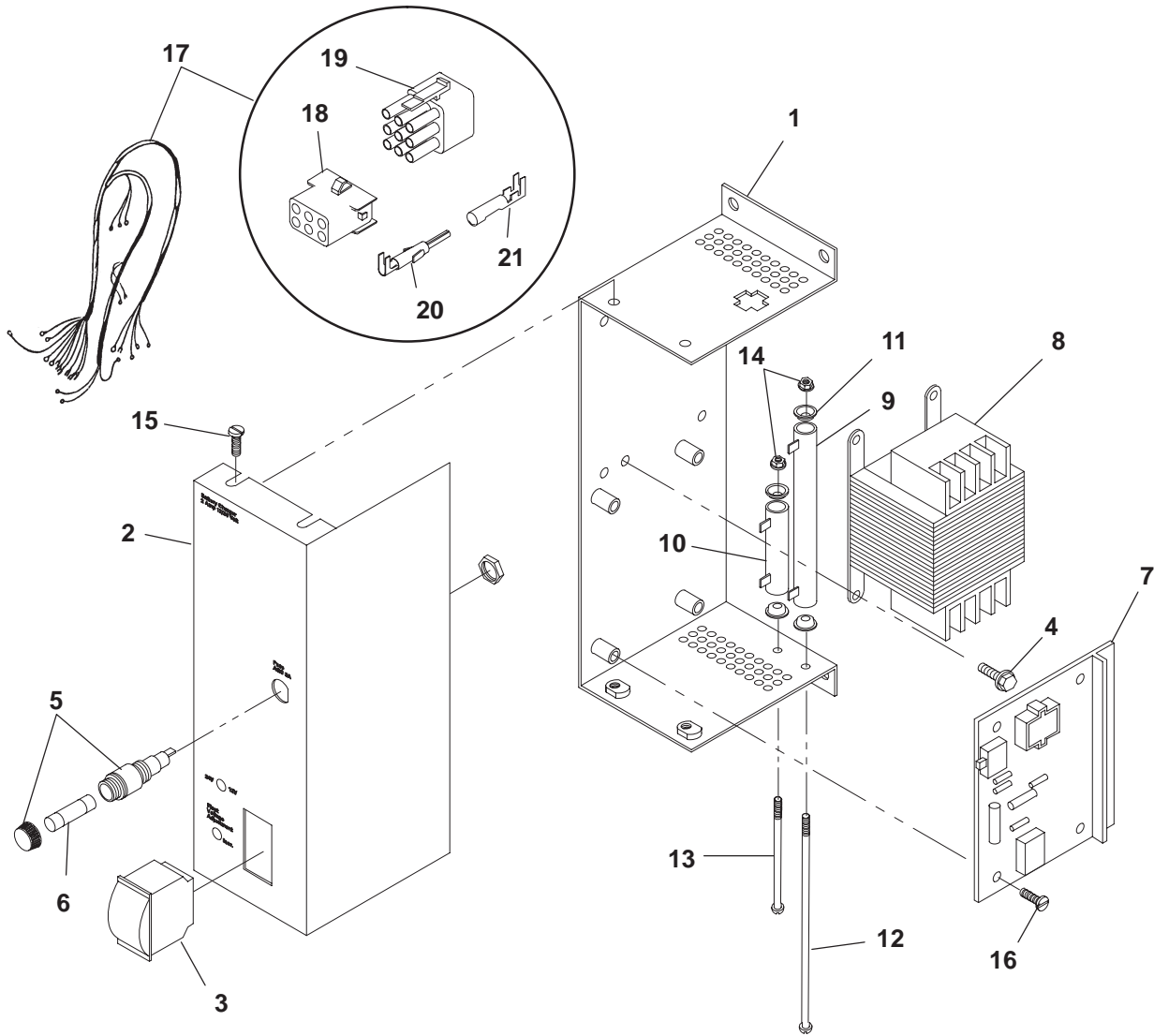


# Current Transformer TGHA, TGHB Spec C



REF NO.	PART NO.	QTY USED	PART DESCRIPTION	REF NO.	PART NO.	QTY USED	PART DESCRIPTION
1	302-1805-01		Transformer, Current				
	302-1678		30 Amp				
			60 Amp				

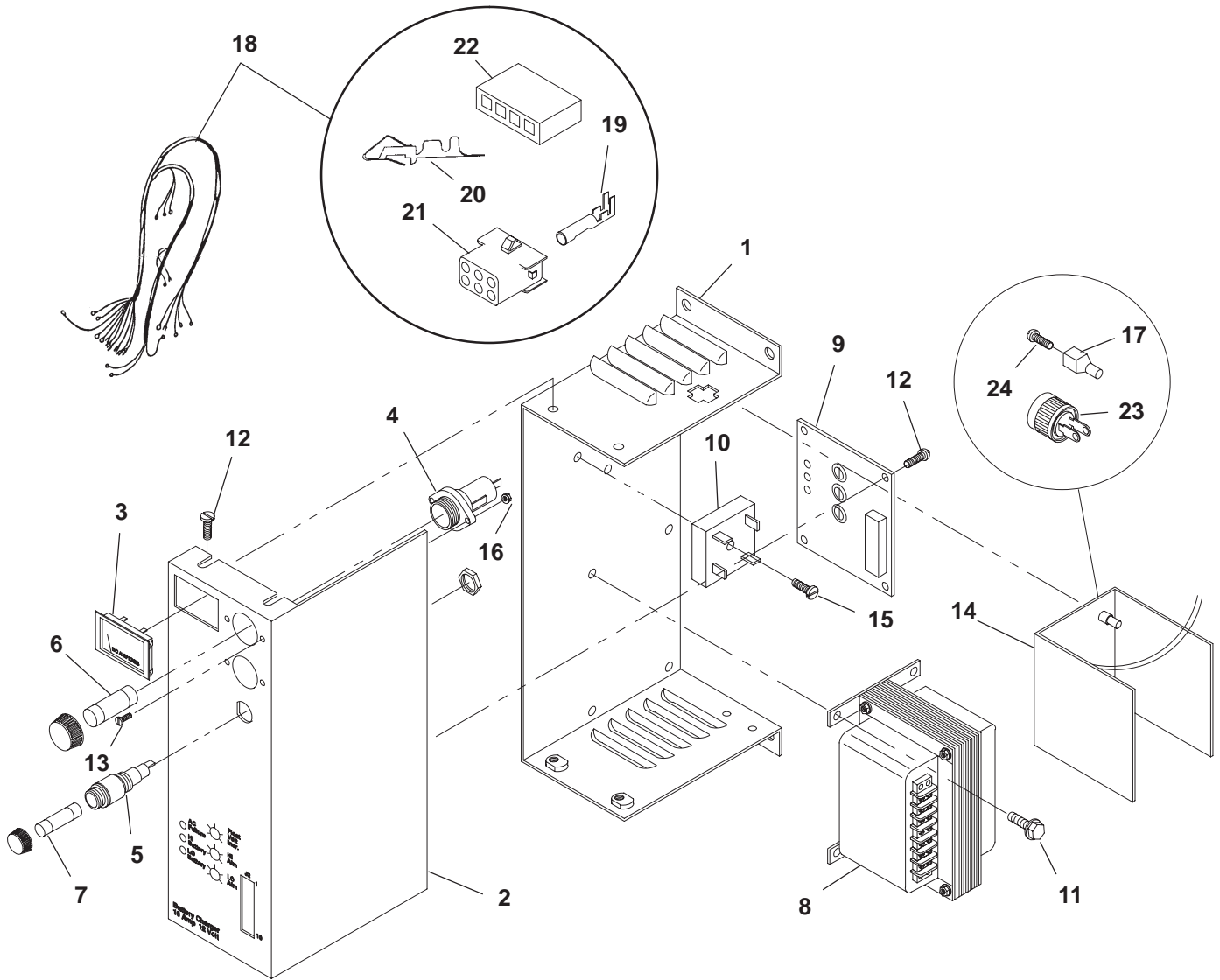
# Battery Charger 2 Amp, 12/24 Volt



## Battery Charger 2 Amp, 12/24 Volt

REF NO.	PART NO.	QTY USED	PART DESCRIPTION	REF NO.	PART NO.	QTY USED	PART DESCRIPTION
			Kit – 2 Amp, 12/24 Volt Battery	9	304-0037	1	Resistor, Fixed
			Charger	10	304-0139	1	Resistor, Fixed
	300-3507	1	120 Volt	11	304-0015	4	Washer, Centering (7/32")
	300-3508	1	208 Volt	12	813-0116	1	Screw, Machine – Round Head (#10-32 x 6-1/2)
	300-3509	1	240 Volt				
	300-3510	1	347 Volt	13	813-0112	1	Screw, Machine – Round Head (#10-32 x 2-1/2)
	300-3511	1	380 Volt				
	300-3512	1	416 Volt	14	870-0131	2	Nut, Hex – W/ET (#10-32)
	300-3513	1	480 Volt	15	815-0550	4	Screw, Pan Head – W/ET (#6-32 x 3/8)
	300-3514	1	600 Volt				
1	301-9990	1	Wrapper, Charger – Battery	16	815-0549	4	Screw, Pan Head – W/ET (#6-32 x 1/4)
2	301-9991	1	Cover, Charger – Battery				
3	302-0807	1	Ammeter, DC	17	338-2149	1	Harness, Charger – Battery (Includes Parts Marked #)
4	821-0040	4	Screw, Machine – Locking Head Slotted (#10-32 x 5/16)	18	323-1318	1	# Cap, 6 pin
5	321-0175	1	Holder, Fuse	19	323-1291	1	# Plug, 9 pin
6	321-0153	1	Fuse, 3 Amp	20	323-1199	A/R	# Pin, Terminal
7	300-2946	1	PCB, Charger – Battery	21	323-1200	A/R	# Socket, Terminal
8			Transformer				
	315-0621-01	1	120 Volt				
	315-0621-02	1	208/240/480 Volt				
	315-0621-03	1	347/380/416 Volt				
	315-0621-04	1	600 Volt				
							# – Parts Included in 338-2149 Wiring Harness

# Battery Charger 10 Amp, 12 Volt



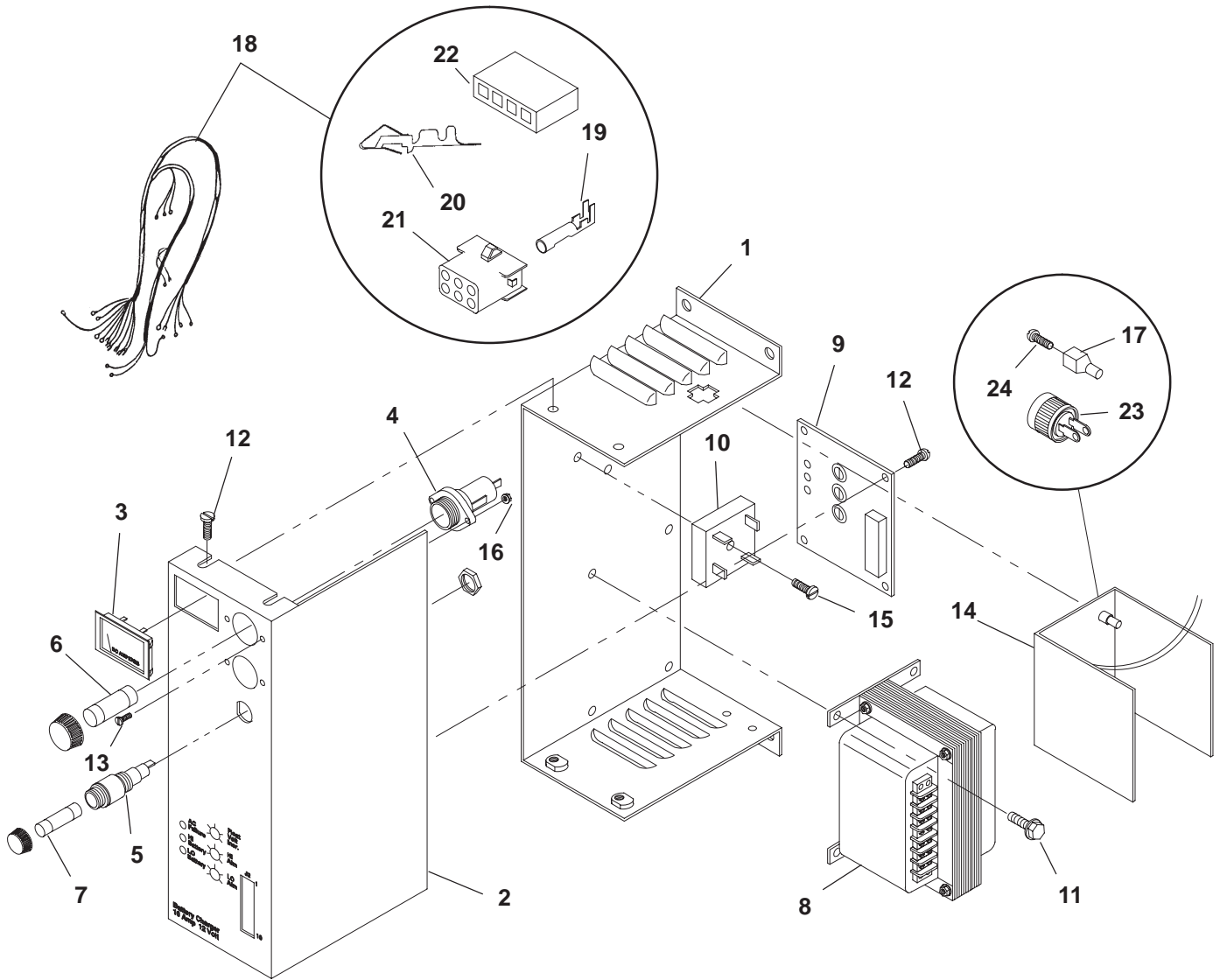
## Battery Charger 10 Amp, 12 Volt

REF NO.	PART NO.	QTY USED	PART DESCRIPTION	REF NO.	PART NO.	QTY USED	PART DESCRIPTION
			Kit – 10 Amp, 12 Volt Battery Charger	8			Transformer
			<b>50 Hertz</b>				<b>50 Hertz</b>
	300-3521	1	200 Volt		315-0702	1	200/380/400 Volt
	300-3522	1	220 Volt		315-0704	1	220/416/440 Volt
	300-3523	1	240 Volt		315-0712	1	240 Volt
	300-3524	1	347 Volt		315-0714	1	347 Volt
	300-3525	1	380 Volt				<b>60 Hertz</b>
	300-3526	1	400 Volt		315-0700	1	120/208/240 Volt
	300-3527	1	416 Volt		315-0706	1	380 Volt
	300-3528	1	440 Volt		315-0708	1	480 Volt
			<b>60 Hertz</b>		315-0710	1	600 Volt
	300-3515	1	120 Volt	9	300-3160	1	PCB, Charger – Battery
	300-3516	1	208 Volt	10	305-0653	1	Rectifier, Bridge
	300-3517	1	240 Volt	11	821-0040	4	Screw, Machine – Locking Head (#10-32 x 5/16)
	300-3518	1	380 Volt	12	815-0550	8	Screw, Pan Head – W/ET (#6-32 x 3/8)
	300-3519	1	480 Volt				Screw, Pan Head – W/ET (#8-32 x 1/2)
	300-3520	1	600 Volt	13	822-2048	5	Rectifier Assembly – SCR (12 Volt) (Includes Parts Marked *)
1	319-0072	1	Wrapper, Charger – Battery	14	305-0781	1	Screw, Pan Head – W/ET (#8-32 x 5/8)
2	319-0195-12	1	Cover, Charger – Battery (Includes Silkscreen)	15	822-2049	1	Nut, Hex – W/ET (#8-32)
3	302-1844	1	Ammeter, DC	16	870-0221	5	*Nut, Insulated (#8)
4	321-0237	2	Holder, Fuse (AC Input)	17	870-0263	4	Harness, Battery Charger (Includes Parts Marked #)
5	321-0104	1	Holder, Fuse (DC Output)	18	338-2223	1	#Socket, Terminal
6			Fuse	19	323-1200	A/R	#Pin, Terminal
			<b>50 Hertz</b>	20	323-1302	A/R	#Cap, 6 pin
	321-0304-01	2	416/440 Volt	21	323-1318	1	#Plug, 5 pin
	321-0304-02	2	347/380/400 Volt	22	323-1374-05	1	*Rectifier, Gate (SCR)
	321-0304-03	2	240 Volt	23	364-0003	1	*Screw, Sheet Metal – Round Head (#8 x 3/4)
	321-0304-04	2	200/220 Volt	24	809-0035	4	
			<b>60 Hertz</b>				
	321-0304-01	2	480 Volt				
	321-0304-02	2	380 Volt				
	321-0304-03	2	240 Volt				
	321-0304-04	2	208 Volt				
	321-0304-05	2	120 Volt				
	321-0236	2	600 Volt				
7	321-0127	1	Fuse (15 Amp)				

# – Parts Included in 338-2223 Wiring Harness

\* – Parts Included in 305-0781 Rectifier Assembly

# Battery Charger 10 Amp, 24 Volt



## Battery Charger 10 Amp, 24 Volt

REF NO.	PART NO.	QTY USED	PART DESCRIPTION	REF NO.	PART NO.	QTY USED	PART DESCRIPTION
			Kit – 10 Amp, 24 Volt Battery Charger	8			Transformer
			<b>50 Hertz</b>				<b>50 Hertz</b>
	300-3535	1	200 Volt		315-0703	1	200/380/400 Volt
	300-3536	1	220 Volt		315-0705	1	220/416/440 Volt
	300-3537	1	240 Volt		315-0713	1	240 Volt
	300-3538	1	347 Volt		315-0715	1	347 Volt
	300-3539	1	380 Volt				<b>60 Hertz</b>
	300-3540	1	400 Volt		315-0701	1	120/208/240 Volt
	300-3541	1	416 Volt		315-0707	1	380 Volt
	300-3542	1	440 Volt		315-0709	1	480 Volt
			<b>60 Hertz</b>		315-0711	1	600 Volt
	300-3529	1	120 Volt	9	300-3244	1	PCB, Charger – Battery
	300-3530	1	208 Volt	10	305-0653	1	Rectifier, Bridge
	300-3531	1	240 Volt	11	821-0040	4	Screw, Machine – Locking Head (#10-32 x 5/16)
	300-3532	1	380 Volt	12	815-0550	8	Screw, Pan Head – W/ET (#6-32 x 3/8)
	300-3533	1	480 Volt	13	822-2048	5	Screw, Pan Head – W/ET (#8-32 x 1/2)
1	319-0072	1	Wrapper, Charger – Battery	14	305-0781	1	Rectifier Assembly – SCR (12 Volt) (Includes Parts Marked *)
2	319-0195-13	1	Cover, Charger – Battery (Includes Silkscreen)	15	822-2049	1	Screw, Pan Head – W/ET (#8-32 x 5/8)
3	302-1844	1	Ammeter, DC	16	870-0221	5	Nut, Hex – W/ET (#8-32)
4	321-0237	2	Holder, Fuse (AC Input)	17	870-0263	4	*Nut, Insulated (#8)
5	321-0104	1	Holder, Fuse (DC Output)	18	338-2223	1	Harness, Battery Charger (Includes Parts Marked #)
6			Fuse	19	323-1200	A/R	#Socket, Terminal
			<b>50 Hertz</b>	20	323-1302	A/R	#Pin, Terminal
	321-0304-04	2	416/440 Volt	21	323-1318	1	#Cap, 6 pin
	321-0304-04	2	347/380/400 Volt	22	323-1374-05	1	#Plug, 5 pin
	321-0304-05	2	240 Volt	23	364-0003	1	*Rectifier, Gate (SCR)
	321-0304-06	2	200/220 Volt	24	809-0035	4	*Screw, Sheet Metal – Round Head (#8 x 3/4)
			<b>60 Hertz</b>				
	321-0304-03	2	480 Volt				
	321-0304-04	2	380 Volt				
	321-0304-05	2	240 Volt				
	321-0304-06	2	208 Volt				
	321-0304-06	2	120 Volt				
	321-0304-06	2	120 Volt				
	321-0303-01	2	600 Volt				
7	321-0127	1	Fuse (15 Amp)				

# – Parts Included in 338-2223 Wiring Harness

\* – Parts Included in 305-0781 Rectifier Assembly

# Numerical Index

<u>Part No.</u>	<u>Page</u>	<u>Part No.</u>	<u>Page</u>	<u>Part No.</u>	<u>Page</u>	<u>Part No.</u>	<u>Page</u>
098-5387, 11		300-3535, 29		306-4273-06, 9		306-4285-04, 9	
098-5710, 18		300-3536, 29		306-4273-07, 9		306-4285-05, 9	
098-5777-01, 11		300-3537, 29		306-4273-08, 9		306-4285-06, 9	
098-6118, 11		300-3538, 29		306-4273-09, 9		306-4286-01, 9	
098-6367, 11		300-3539, 29		306-4274-01, 9		306-4286-03, 9	
098-6635, 11		300-3540, 29		306-4274-02, 9		306-4286-04, 9	
098-7172, 11		300-3541, 29		306-4274-03, 9		306-4286-05, 9	
226-4786-01, 15		300-3542, 29		306-4274-04, 9		306-4286-06, 9	
226-4786-02, 15		300-4054, 18		306-4274-05, 9		306-4290-01, 7	
226-4786-03, 15		300-4605, 21		306-4274-06, 9		306-4290-02, 7	
226-4786-04, 15		300-4718-02, 21		306-4274-07, 9		306-4309, 20	
300-2946, 25		300-4750-01, 20		306-4274-08, 9		306-4311-01, 5	
300-3160, 27		300-4750-02, 20		306-4274-09, 9		306-4311-02, 5	
300-3167, 18		300-4750-03, 20		306-4277-01, 5		306-4311-03, 5	
300-3244, 29		300-4754-01, 20		306-4277-02, 5		306-4311-04, 5	
300-3507, 25		300-4754-02, 20		306-4277-03, 5		306-4311-05, 5	
300-3508, 25		300-4754-03, 20		306-4277-04, 5		306-4311-06, 5	
300-3509, 25		300-4809, 11, 15		306-4277-05, 5		306-4311-07, 5	
300-3510, 25		300-4865, 21		306-4277-06, 5		306-4311-08, 5	
300-3511, 25		300-4965-01, 7		306-4277-07, 5		306-4311-09, 5	
300-3512, 25		300-4965-02, 7		306-4277-08, 5		306-4312-01, 9	
300-3513, 25		300-5167, 21		306-4277-09, 5		306-4312-02, 9	
300-3514, 25		301-6727, 13, 15		306-4278-01, 5		306-4313-01, 7	
300-3515, 27		301-9990, 25		306-4278-02, 5		306-4313-03, 7	
300-3516, 27		301-9991, 25		306-4278-03, 5		306-4313-04, 7	
300-3517, 27		302-0807, 25		306-4278-04, 5		306-4313-05, 7	
300-3518, 27		302-1175, 15		306-4278-05, 5		306-4313-06, 7	
300-3519, 27		302-1678, 15, 23		306-4278-06, 5		306-4313-07, 7	
300-3520, 27		302-1692, 15		306-4278-07, 5		306-4313-08, 7	
300-3521, 27		302-1805-01, 15, 23		306-4278-08, 5		306-4313-09, 7	
300-3522, 27		302-1844, 27, 29		306-4278-09, 5		306-4313-10, 7	
300-3523, 27		304-0015, 25		306-4279, 5		306-4313-11, 7	
300-3524, 27		304-0037, 25		306-4281, 7		306-4313-12, 7	
300-3525, 27		304-0139, 25		306-4283-01, 9		306-4313-13, 7	
300-3526, 27		305-0653, 27, 29		306-4283-02, 9		306-4313-14, 7	
300-3527, 27		305-0781, 27, 29		306-4284-02, 5, 9		306-4313-15, 7	
300-3528, 27		306-3464, 15		306-4284-03, 9		306-4313-16, 7	
300-3529, 29		306-3525, 17		306-4284-04, 9		306-4314-01, 7	
300-3530, 29		306-4273-01, 9		306-4284-05, 9		306-4314-03, 7	
300-3531, 29		306-4273-02, 9		306-4284-07, 9		306-4314-04, 7	
300-3532, 29		306-4273-03, 9		306-4284-08, 9		306-4314-05, 7	
300-3533, 29		306-4273-04, 9		306-4285-01, 9		306-4314-06, 7	
300-3534, 29		306-4273-05, 9		306-4285-03, 9		306-4314-08, 7	



# Numerical Index

<u>Part No.</u>	<u>Page</u>	<u>Part No.</u>	<u>Page</u>	<u>Part No.</u>	<u>Page</u>	<u>Part No.</u>	<u>Page</u>
306-4314-09,	7	306-4325-08,	5	315-0707,	29	319-3658-02,	15
306-4314-10,	7	306-4325-09,	5	315-0708,	27	321-0104,	27, 29
306-4314-11,	7	306-4326-01,	5	315-0709,	29	321-0127,	27, 29
306-4314-12,	7	306-4326-02,	5	315-0710,	27	321-0153,	25
306-4314-13,	7	306-4326-03,	5	315-0711,	29	321-0175,	25
306-4314-14,	7	306-4326-04,	5	315-0712,	27	321-0236,	27
306-4314-15,	7	306-4326-05,	5	315-0713,	29	321-0237,	27, 29
306-4314-16,	7	306-4326-06,	5	315-0714,	27	321-0303-01,	29
306-4317-01,	7	306-4326-07,	5	315-0715,	29	321-0304-01,	27
306-4317-03,	7	306-4326-08,	5	315-0787-01,	11	321-0304-02,	27
306-4317-04,	7	306-4326-09,	5	315-0789-01,	11	321-0304-03,	27, 29
306-4317-05,	7	306-4327,	5	319-0072,	27, 29	321-0304-04,	27, 29
306-4317-06,	7	306-4329,	5	319-0195-12,	27	321-0304-05,	27, 29
306-4318-01,	7	306-4330,	5	319-0195-13,	29	321-0304-06,	29
306-4318-02,	7	306-4331,	5	319-1502,	18	321-0355-01,	13, 15
306-4318-03,	7	306-4335-01,	5	319-2730,	11	321-0355-03,	13, 15
306-4318-04,	7	306-4335-02,	5	319-2738-01,	21	321-0356-02,	13, 15
306-4318-05,	7	306-4335-03,	5	319-2790,	11	321-0356-04,	13, 15
306-4318-06,	7	306-4335-04,	5	319-2792,	11	321-0366,	15
306-4318-07,	7	306-4335-05,	5	319-2794,	11	323-1199,	15, 25
306-4318-09,	7	306-4335-06,	5	319-2962,	21	323-1200,	15, 19, 25, 27, 29
306-4318-10,	7	306-4335-11,	5	319-2963,	21	323-1291,	25
306-4319-01,	7	306-4335-12,	5	319-3085,	13	323-1302,	15, 22, 27, 29
306-4319-03,	7	306-4335-13,	5	319-3089,	13	323-1314,	15
306-4319-04,	7	306-4335-14,	5	319-3089-01,	15	323-1315,	15, 19
306-4319-05,	7	306-4335-15,	5	319-3092,	13	323-1317,	15
306-4319-06,	7	306-4335-16,	5	319-3093,	13, 15	323-1318,	25, 27, 29
306-4320-01,	7	307-1058-01,	20	319-3161,	21	323-1374-04,	15
306-4320-02,	7	307-1157,	20	319-3173,	13	323-1374-05,	27, 29
306-4320-03,	7	307-1886,	22	319-3458-03,	15	323-1374-10,	15, 22
306-4320-04,	7	308-1070,	19	319-3458-04,	15	323-1468,	18
306-4320-05,	7	308-1078,	19	319-3478-02,	22	323-1492,	15
306-4320-06,	7	315-0621-01,	21, 25	319-3587,	15	323-1541,	13, 15
306-4320-07,	7	315-0621-02,	25	319-3588,	15	323-1543,	13, 15
306-4320-09,	7	315-0621-03,	25	319-3589-01,	17	330-0147-01,	13, 15
306-4320-10,	7	315-0621-04,	25	319-3590-02,	15	330-0148,	13, 15
306-4325-01,	5	315-0700,	27	319-3593-01,	17	331-0558,	13
306-4325-02,	5	315-0701,	29	319-3594,	20	331-0559,	13, 15
306-4325-03,	5	315-0702,	27	319-3609-02,	15	331-0588,	15
306-4325-04,	5	315-0703,	29	319-3619-01,	17	332-0142,	11
306-4325-05,	5	315-0704,	27	319-3632-01,	17	332-0941,	13
306-4325-06,	5	315-0705,	29	319-3633-01,	17	332-0942,	13, 18
306-4325-07,	5	315-0706,	27	319-3634-01,	17	332-1045,	17

# Numerical Index

<u>Part No.</u>	<u>Page</u>	<u>Part No.</u>	<u>Page</u>	<u>Part No.</u>	<u>Page</u>	<u>Part No.</u>	<u>Page</u>
332-2370,	11, 15, 17	338-3349,	20	508-0233,	13, 15, 17	815-0899,	18
332-2420,	13	338-3447,	9	508-1045,	11	815-0901-06,	17
332-2431,	15	338-3448,	19	509-0180,	13	815-0902,	13, 20
332-2463,	9	338-3566,	13	509-0346,	15	815-0903-03,	11
332-2836-01,	22	338-3567,	13, 15	517-0133,	11	815-0905-08,	21
332-2836-02,	18, 22	338-3581,	20	517-0137,	11	818-0217-01,	11
332-2837-09,	18	338-3584,	9	517-0266,	13, 15, 17	821-0040,	25, 27, 29
332-2837-10,	22	338-3585,	9	526-0008,	21	822-2048,	27, 29
332-2839,	18, 22	338-3590,	9	526-0018,	15	822-2049,	27, 29
332-2841,	18, 22	338-3655,	5	526-0022,	13, 15	850-0040,	15
332-2842-11,	18	338-3656,	5	800-0002,	11, 15, 17	851-0027,	11, 15, 17
332-2877,	13	338-3657,	5	800-0005,	11, 17	851-0028,	9
332-3492-01,	9, 11	338-3658,	5	800-0007,	11, 15, 17	862-0001,	11, 15, 17
332-3510,	13	338-3659,	13	800-0028,	9	862-0015,	9
332-3514-01,	9, 11, 15	338-3725,	22	809-0035,	27, 29	870-0131,	13, 15, 25
332-3514-02,	17	338-3726,	22	812-0077,	18	870-0212,	17
332-3515,	17	338-3788,	22	812-0177,	13, 15	870-0221,	18, 27, 29
337-2317,	11, 15, 17	338-3789,	15	813-0112,	25	870-0263,	27, 29
337-2960-01,	9	364-0003,	27, 29	813-0116,	25	870-0320,	17
337-2960-02,	9	406-0089,	11	815-0194,	5, 9, 13, 21, 22	870-0386,	15
337-2961-01,	9	406-0519,	13, 15	815-0389,	13, 15, 17	870-0439,	15
337-2961-02,	9	406-0565,	11	815-0398,	11	870-1221,	21
338-2142,	18	406-0613,	17	815-0446,	22	895-0293-01,	17
338-2149,	25	406-0649,	17	815-0538,	17	895-0293-02,	17
338-2223,	27, 29	406-0809,	11	815-0549,	25	895-0376-01,	13, 15
338-3321,	9	406-0810,	11	815-0550,	25, 27, 29	895-0376-02,	13, 15
338-3341,	9	416-1032-01,	21	815-0652,	9, 13, 15	898-1195-08,	13, 15



**Onan**

Onan Corporation  
1400 73rd Avenue N.E.  
Minneapolis, MN 55432  
612-574-5000  
Telex: 275477  
Fax: 612-574-8087

Onan is a registered trademark of Onan Corporation  
Cummins is a registered trademark of Cummins Engine Company