



# Parts Manual

Cummins **Onan**

Performance you rely on.™



## 60 Hz Portable Generator Set

EGMBB / P2220c (Spec A-C)  
EGMBB / P2400 (Spec A-C)  
EGMBG / P2927 (Spec A-C)  
EGMBG / P2927c (Spec A-C)  
EGMBG / P3027 (Spec A-C)  
EGMBG / P3500 (Spec A-C)

## MODEL IDENTIFICATION

To avoid errors or delay in filling your parts order, always give the MODEL, SPEC NO. and SERIAL NO. from the Onan nameplate.

For handy reference, insert your nameplate information in the spaces below.

\_\_\_\_\_  
MODEL AND SPEC NO.

\_\_\_\_\_  
SERIAL NO.

\_\_\_\_\_  
DIGITAL CONTROL SOFTWARE VERSION  
AND DATE (IF APPLICABLE)

## SAFETY PRECAUTIONS

The following symbols are used in Cummins/Onan manuals to alert users to the potentially dangerous conditions relating to maintenance of equipment and replacement of parts. Please read and observe.



*This symbol warns of immediate hazards which will result in severe personal injury or death.*



*This symbol refers to a hazard or unsafe practice which can result in severe personal injury or death.*



*This symbol refers to a hazard or unsafe practice which can result in severe personal injury or product or property damage.*

## PRODUCT SAFETY PRECAUTIONS



***Service and repair of Cummins/Onan equipment must be performed by trained, experienced personnel only. Improper service or repair may result in property damage, severe personal injury or death. Do not use this catalog as a guide to servicing your equipment. Read and follow the IMPORTANT SAFETY INSTRUCTIONS in the Service Manual appropriate for the equipment you are working on.***



***Contact with USED ENGINE OILS has been identified by a United States federal agency and some USA state agencies as causing CANCER or REPRODUCTIVE TOXICITY. When checking or changing engine oils take all necessary precautions not to ingest, breathe the fumes or contact the used oil.***



***Contact with ASBESTOS has been identified by a United States federal agency and some USA state agencies as causing CANCER or REPRODUCTIVE TOXICITY. When handling engine gaskets take all necessary precautions not to ingest, breathe or contact the dust from the gaskets! Use adequate ventilation and wear protective gloves, masks and clothing!***



***Contact with BENZINE and LEAD, found in gasoline, fuel additives and solvents has been identified by a United States federal agency and some USA state agencies as causing CANCER or REPRODUCTIVE TOXICITY. When checking, draining or adding gasoline and fuel additives or using solvents take all necessary precautions not to ingest, breathe the fumes or contact the liquids. Use adequate ventilation and wear protective gloves, masks and protective clothing!***

## Introduction

This parts catalog applies to the standard generator sets listed below. Parts are arranged in groups of related items and each illustrated part is defined by a reference number corresponding to the same reference number in the parts list. Parts illustrations are typical. Using the model and specification number from your generator set nameplate, select parts that apply to your set. Right and left sides are determined by facing the engine end (front) of the set.

### Generator Set Data Tables

<b>Model Identification</b>	<b>Fuel</b>	<b>Watts</b>	<b>Voltage</b>	<b>Hertz</b>	<b>Amps</b>
EGMBB 2220	Gasoline	2000	12VDC	60	8
EGMBB 2400	Gasoline	2000	12VDC	60	8
EGMBG 2927	Gasoline	2700	12VDC	60	8
EGMBG 2927c	Gasoline	2700	12VDC	60	8
EGMBG 3027	Gasoline	2700	12VDC	60	8
EGMBG 3500	Gasoline	2500	12VDC	60	8

\* – The specification number denotes customer requested options or deviations from a standard (1A, 1B, etc.) model. The specification letter advances (A, to B, to C, etc.) with major manufacturing changes.

Accessories, **22**  
Air Cleaner, **14**  
Alternator, **18**  
Assy, Coil, **12**  
Assy, Control, **13**  
Assy, Fan, **12**  
Assy, Rectifier, **19**

Baffle, **10**  
Baffle, Air, **10**  
Bearing, Ball, **5 , 6**  
Bezel, Switch, **19**  
Block, Cylinder, **5**  
Bracket, Air Cleaner, **17**  
Breaker, Circuit (10Amp), **19**  
Breaker, Circuit (20Amp), **19**

Camshaft, **8**  
Cap, Filler, **16**  
Cap, Filler Bottle, **22**  
Cap, Oil Fill, **6**  
Carburetor, **11**  
Cleaner, Air, **14**  
Clip, Spring, **5**  
Collar, **15**  
Complete, Recoil Reel Starter, **9**  
Connecting, Rod, **7**  
Control Panel, **19 , 20 , 21**  
Cover, Control, **19**  
Cover, Crankcase, **6**  
Cover, Stator, **18**  
Cover, Valve, **4**  
Crankcase, **5**  
Crankshaft, **7**

Filter, Fuel, **16**  
Flywheel, **12**  
Frame, **17**  
Frame, Generator, **17**  
Fuel Tank, **16**

Gasket, **15**  
Gasket, Air Cleaner, **14**

Gasket, Carburetor, **11**  
Gasket, Control Plate, **15**  
Gasket, Cover, **4**  
Gasket, Crankcase, **6**  
Gasket, Cylinder Head, **4**  
Gasket, Muffler, **4**  
Gauge, Level, **16**  
Generator, **18**  
Governor, **5 , 13**  
Guide, Pushrod, **8**  
  
Harness, Genset, **19**  
Head, Cylinder, **4**  
Hose, Fuel, **16**  
Housing, Generator, **18**  
Insulator 1 (2400 Only), **11**  
Isolator, (Fuel Tube), **16**  
Isolator, Vibration (Fuel Tank), **16**  
Isolator, Vibration (Left), **17**  
Isolator, Vibration (Right), **17**

Kit, Piston Ring, **7**

Lever, Governor, **13**

Meter, Voltage, **19**  
Muffler, **15**

Panel Assy, Control, **20**  
Panel, Control, **19**  
Panel, Control (Case), **19 , 20 , 21**  
Pin, Dowel, **6**  
Pin, Piston, **7**  
Piston, **7**  
Plug, Spark, **4**  
Pushrod, **8**

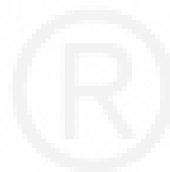
Receptacle Duplex (GFI), **19**  
Regulator, Voltage, **18**  
Retainer, Piston Pin, **7**  
Retainer, Valve Spring, **8**  
Rod, Governor, **13**  
Rotator, Valve, **8**

## Index

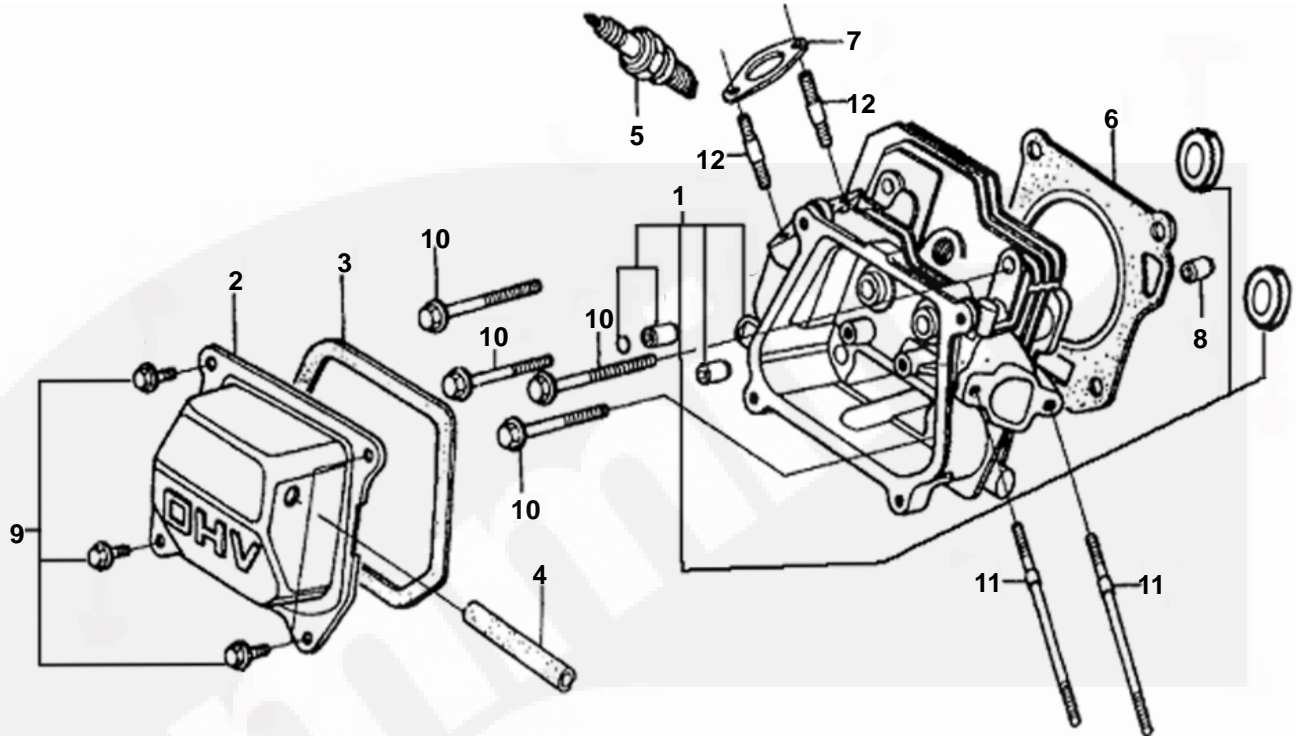
Seal, Oil, **5 , 6**  
Seal, Valve Stem, **8**  
Shaft, Governor, **5**  
Sleeve, Tube, **16**  
Spring, Extension, **13**  
Spring, Valve, **8**  
Starter, **9**  
Starter, Recoil, **12**  
Starter, Recoil Reel, **9**  
Switch, Level, **5**  
Switch, Level (Oil), **5**  
Switch, Rocker, **19**

Tank, Fuel, **16**  
Tappet, **8**  
Terminal, Sockeet (12V), **19**

Valve, Fuel, **16**

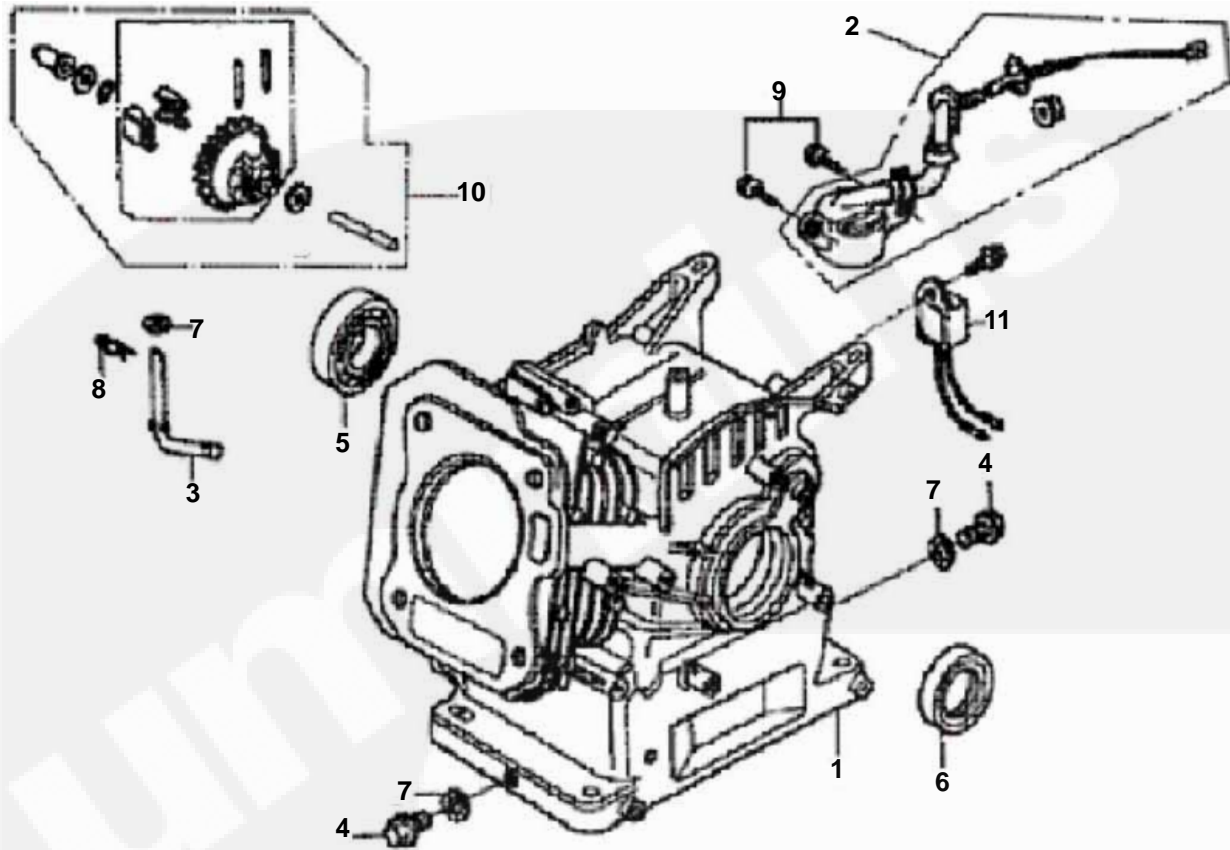


## Cylinder Head



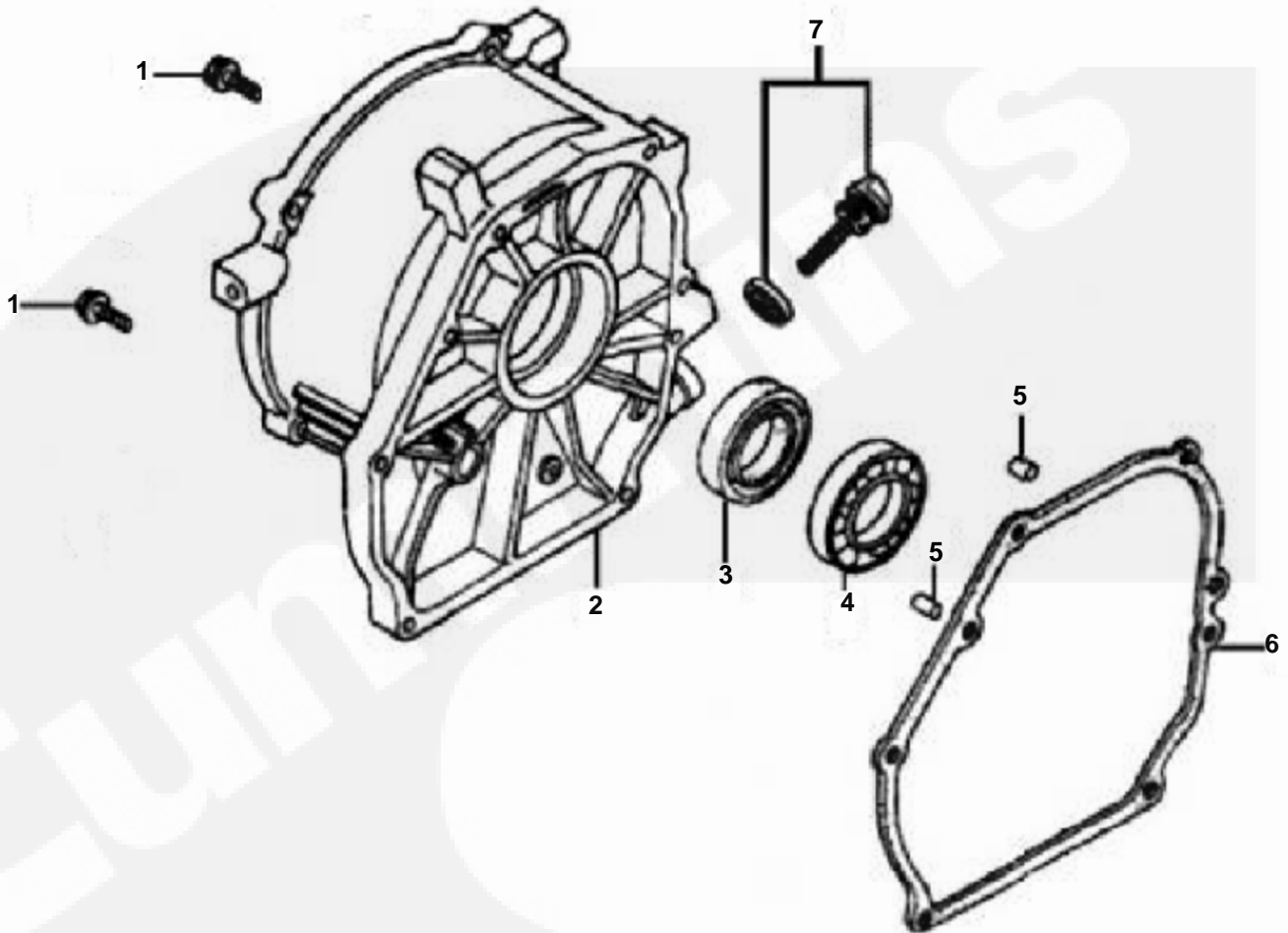
REF NO.	PART NO.	QTY USED	PART DESCRIPTION	REF NO.	PART NO.	QTY USED	PART DESCRIPTION
1	181-0241	1	Head, Cylinder	9	181-0252	4	Screw, Hex Flange Head
2	181-0245	1	Cover, Valve	10	181-0601	4	P2400/P3500/P2220c
3	181-0246	1	Gasket, Cover		A026K900	4	P2927c/P2927/P3027
4	181-0413	1	Hose, Breather	11	181-0434	2	Stud (Exhaust)
5	181-0248	1	Plug, Spark	12	181-0482	2	Stud (Exhaust)
6	A002L764	1	Gasket, Cylinder Head				
7	A028W263	1	Gasket, Muffler				
8			Pin, Dowel				
	181-0444	2	P2400/P3500/P2220c				
	516-2125	2	P2927c/P2927/P3027				

## Crankcase



REF NO.	PART NO.	QTY USED	PART DESCRIPTION	REF NO.	PART NO.	QTY USED	PART DESCRIPTION
1	181-0259	1	Block, Cylinder	7	181-0441	3	Washer, Sealing
2	181-0260	1	Switch, Level (Oil)	8	181-0487	1	Clip, Spring
3	181-0261	1	Shaft, Governor	9	181-0266	2	Screw, Hex Flanged Head P2400/P3500/P2220c
4	181-0442	2	Plug, Drain		181-0252	2	P2927c/P2927/P3027
5			Bearing, Ball	10	181-0267	1	Governor
	181-0438	1	P2400/P3500/P2220c	11	181-0036	1	Switch, Level
	181-0441	1	P2927c/P2927/P3027				
6	181-0443	1	Seal, Oil				

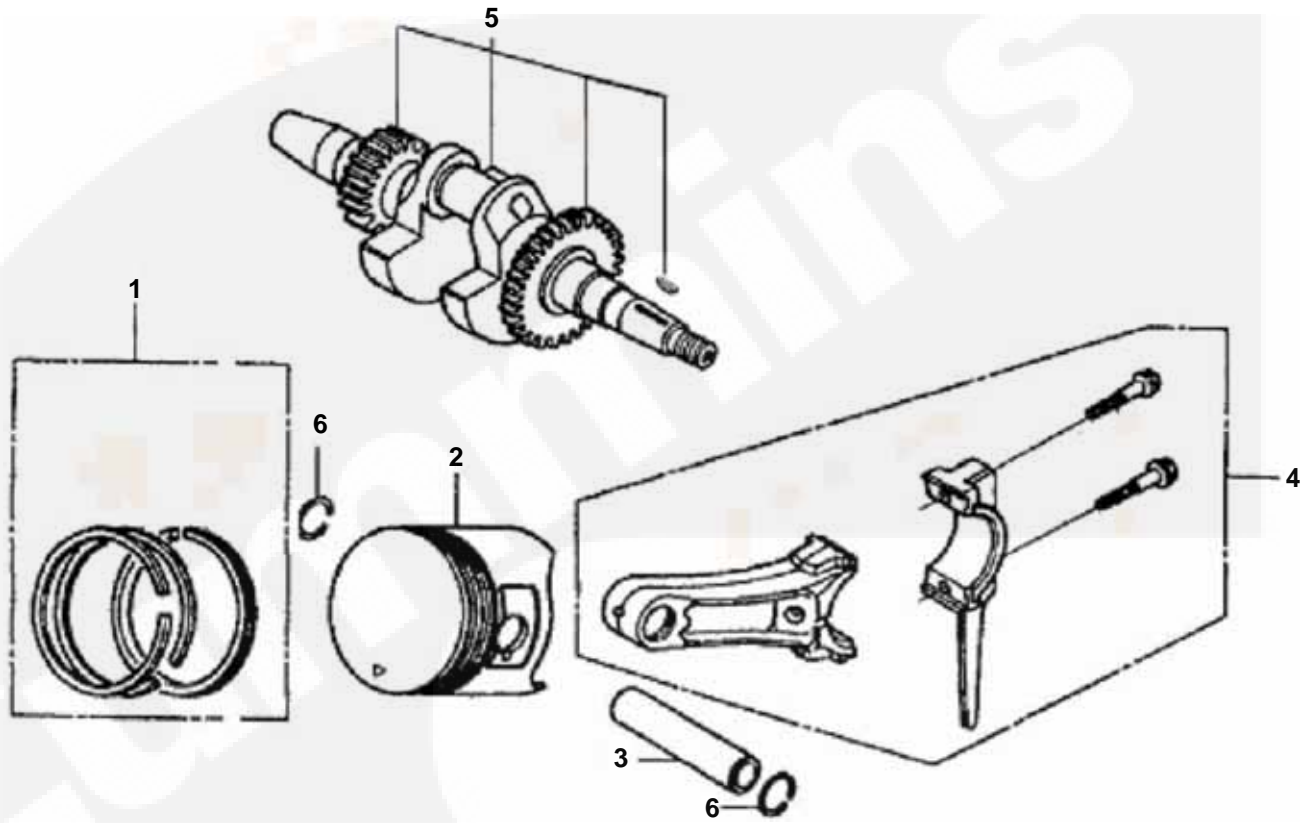
## Crankcase Cover



REF NO.	PART NO.	QTY USED	PART DESCRIPTION	REF NO.	PART NO.	QTY USED	PART DESCRIPTION
1	181-0269	6	Screw, Hex Flanged Head	5	181-0444	2	Pin, Dowel
2	181-0270	1	Duct, Air	6	A028U227	1	Gasket, Crankcase
3	181-0443	1	Seal, Oil	7	181-0275	1	Cap, Oil Fill
4	181-0438	1	Bearing, Ball				

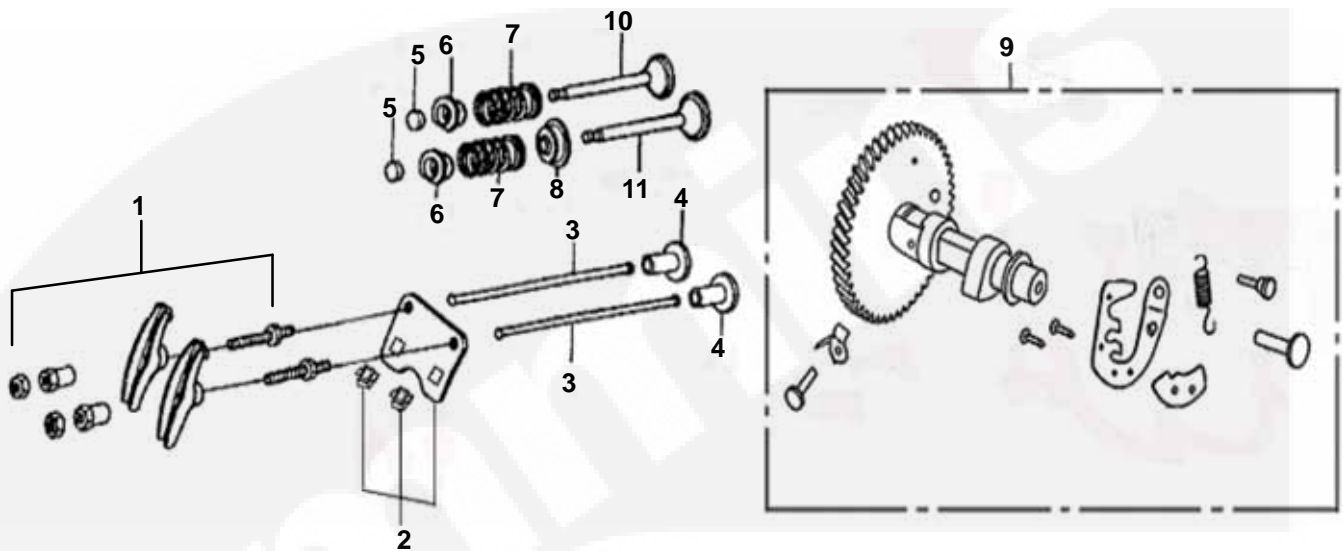


## Crankshaft and Piston



REF NO.	PART NO.	QTY USED	PART DESCRIPTION	REF NO.	PART NO.	QTY USED	PART DESCRIPTION
1	181-0276	1	Kit, Piston Ring	4	181-0280	1	Connecting, Rod
2	181-0278	1	Piston	5	181-0282	1	Crankshaft
3	181-0279	1	Pin, Piston	6	181-0283	2	Retainer, Piston Pin

## Camshaft

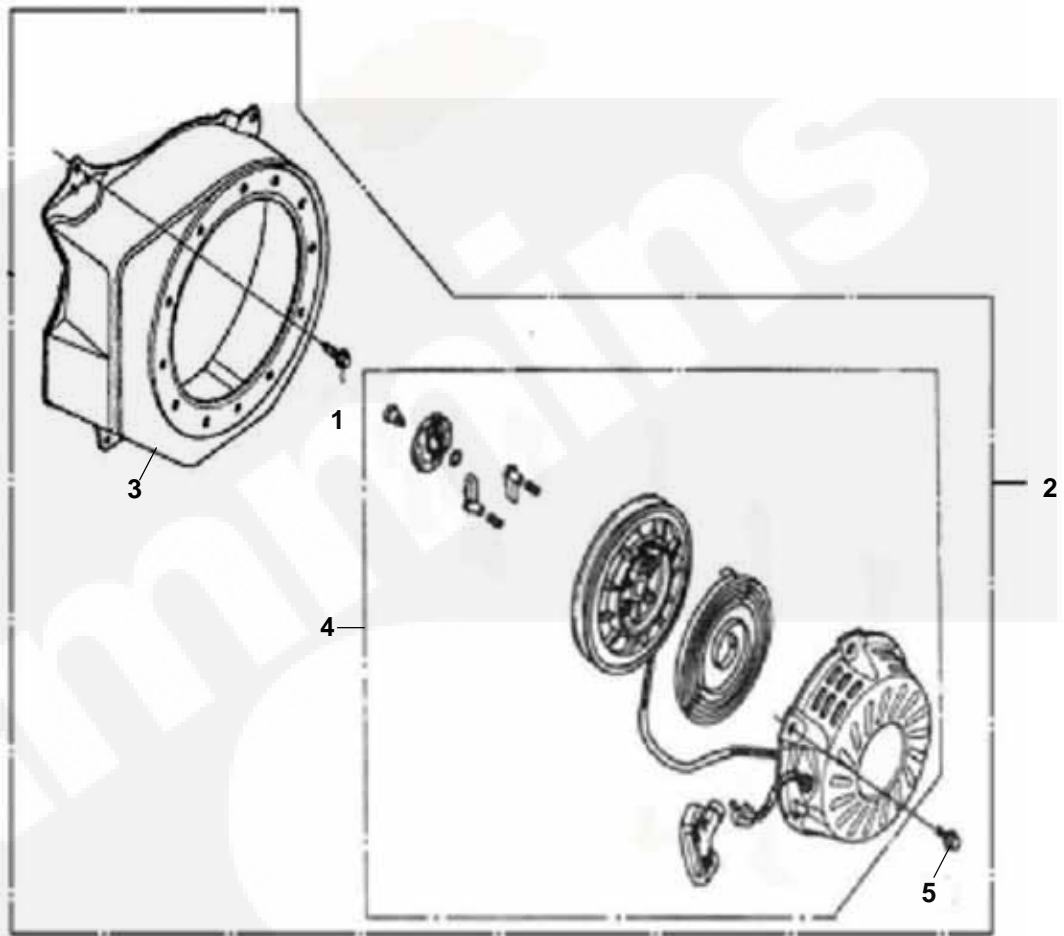


REF NO.	PART NO.	QTY USED	PART DESCRIPTION
1	181-0447	2	Arm, Valve Rocker
2	181-0291	1	Guide, Pushrod
3	181-0292	2	Pushrod
4	181-0294	2	Tappet
5	181-0295	2	Rotator, Valve
6	181-0296	2	Retainer, Valve Spring

REF NO.	PART NO.	QTY USED	PART DESCRIPTION
7	181-0297	2	Spring, Valve
8	181-0298	1	Seal, Valve Stem
9	181-0300	1	Camshaft
10	181-0302	1	Valve, Exhaust
11	181-0303	1	Valve, Intake

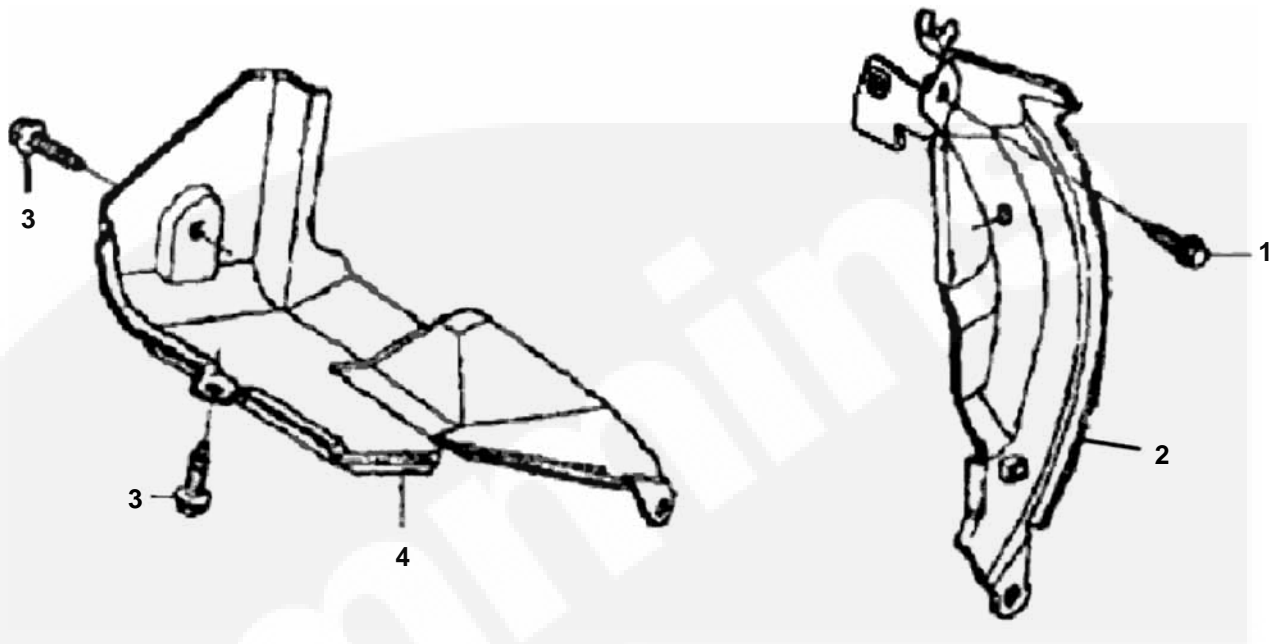


## Starter

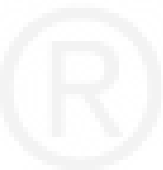


REF NO.	PART NO.	QTY USED	PART DESCRIPTION
1	181-0311	4	Screw, Hex Flanged Head
2	181-0501	1	Complete, Recoil Reel Starter
3	234-1083	1	Cover, Fan
4	191-2480	1	Starter, Recoil Reel
5	181-0317	3	Bolt, Flange (6 x 8)

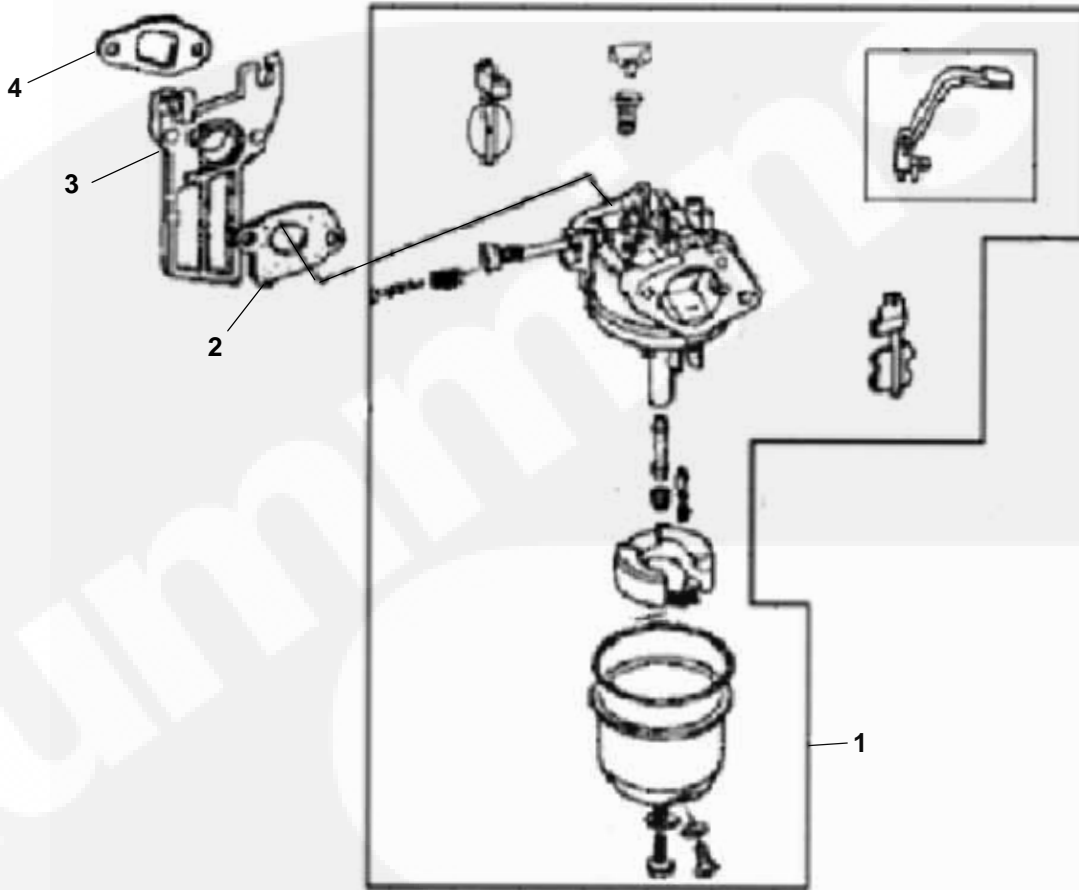
## Baffle



REF NO.	PART NO.	QTY USED	PART DESCRIPTION
1	181-0315	1	Screw, Hex Flanged Head
2	181-0316	1	Baffle, Air
3	181-0317	1	Screw, Hex Flanged Head
4	181-0318	1	Baffle, Air



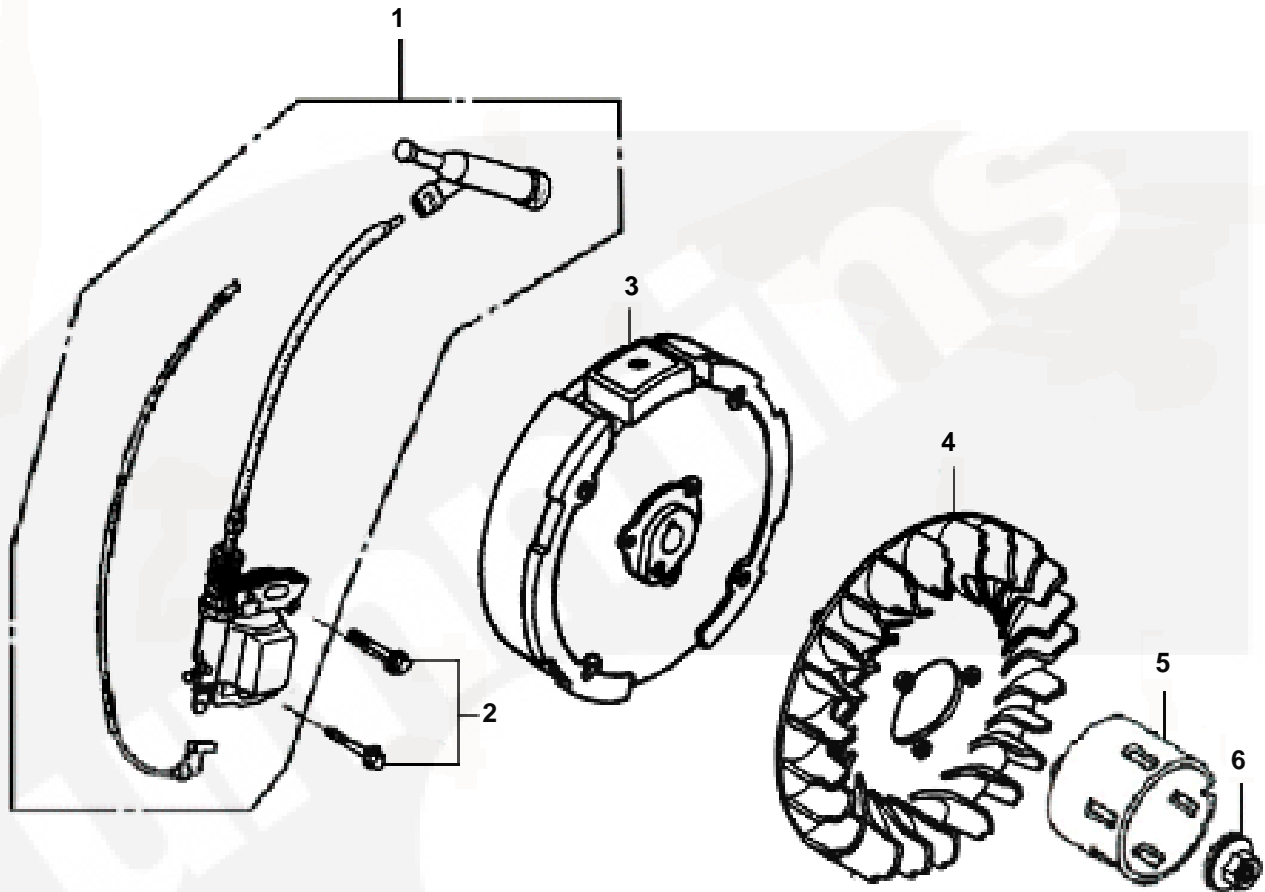
## Carburetor



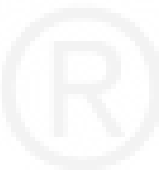
REF NO.	PART NO.	QTY USED	PART DESCRIPTION
1	181-0320	1	Carburetor
2	A028W229	1	Gasket, Carburetor
3	181-0323	1	Insulator 1 (P2400 Only)
4	A028W231	1	Gasket, Carburetor



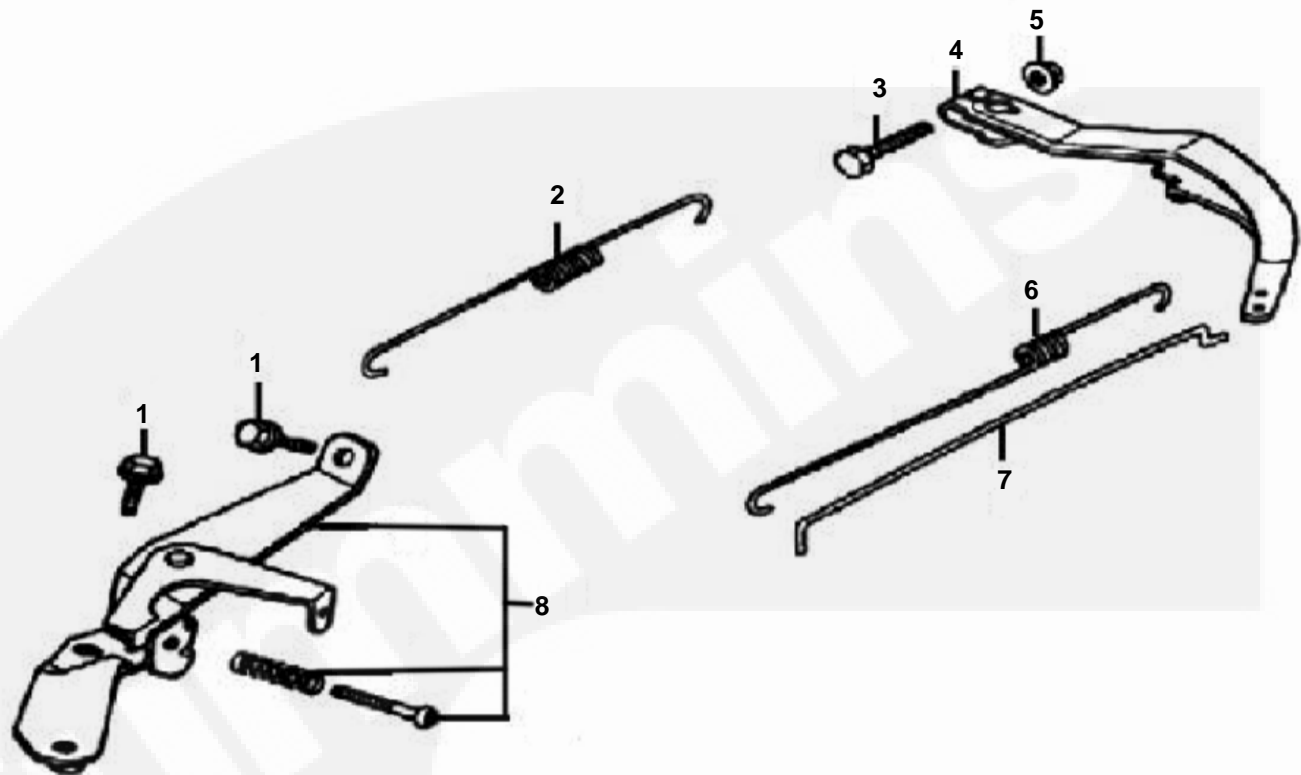
## Flywheel



REF NO.	PART NO.	QTY USED	PART DESCRIPTION	REF NO.	PART NO.	QTY USED	PART DESCRIPTION
1	181-0422	1	Assy, Coil	3	181-0449	1	Flywheel
2	181-0328	2	Screw, Hex Flanged Head	4	181-0330	1	Assy, Fan
	181-0338	2	P2400/P3500/P2220c	5	181-0331	1	Starter, Recoil
			P2927c/P2927/P3027	6	181-0450	1	Nut, Hex Flanged (18mm)



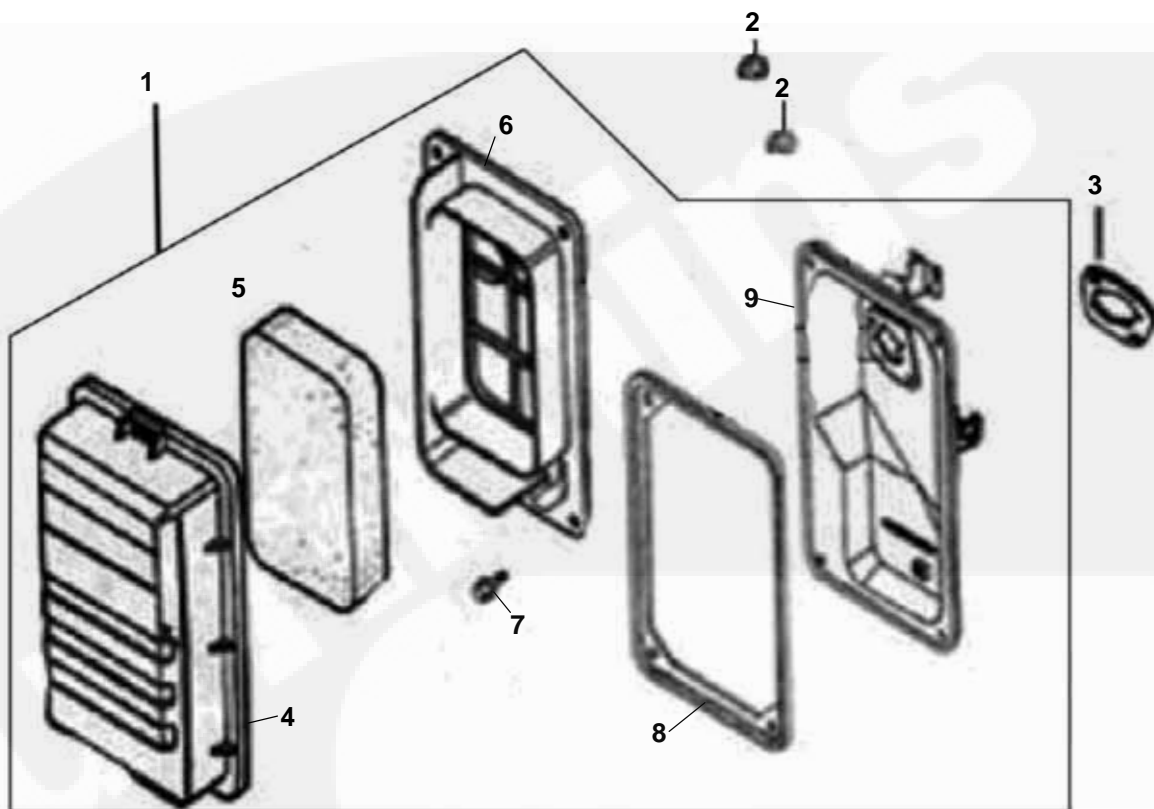
## Governor



REF NO.	PART NO.	QTY USED	PART DESCRIPTION	REF NO.	PART NO.	QTY USED	PART DESCRIPTION
1	181-0311	2	Screw, Hex Flanged Head	6			Spring, Extension
2	181-0341	1	Spring, Extension		181-0345	1	P2400/P3500/P2220c
3	181-0452	1	Screw, Governor		880-0528	1	P2927c/P2927/P3027
4	181-0343	1	Lever, Governor	7	181-0346	1	Rod, Governor
5	181-0344	1	Nut, Hex Flanged	8	181-0591	1	Assy, Control



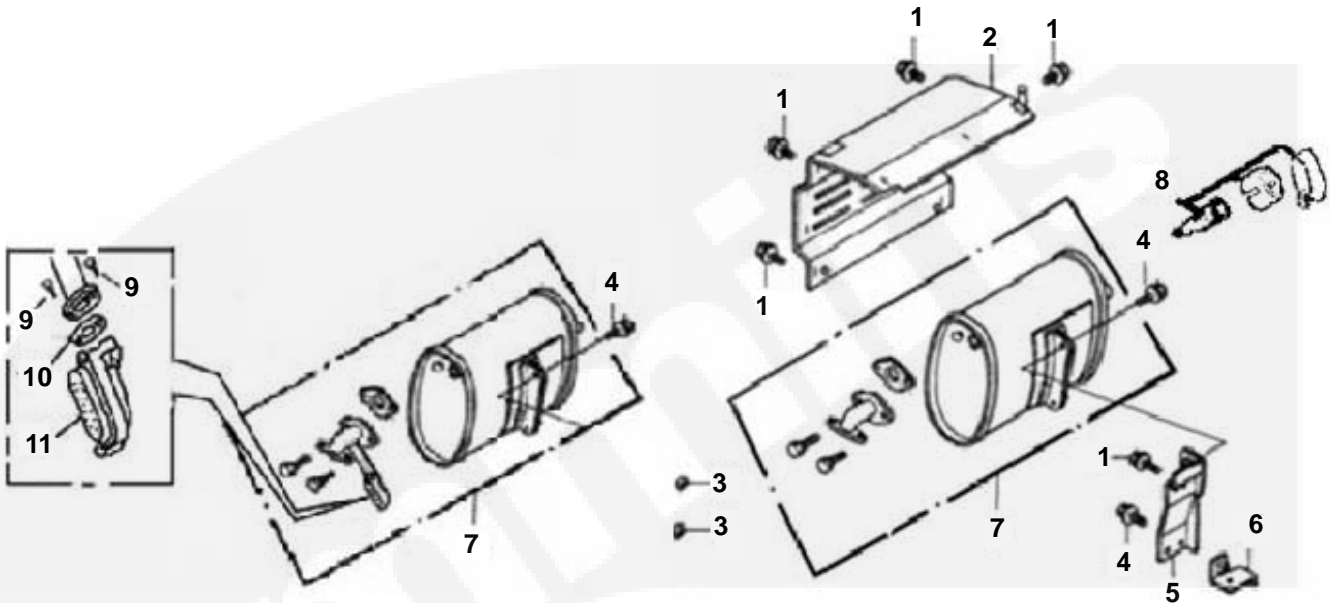
## Air Cleaner



REF NO.	PART NO.	QTY USED	PART DESCRIPTION
1	181-0453	1	Cleaner, Air
	A028X408	1	P2400/P3500/P2927/P3027/P2220c
		1	P2927c
2	181-0344	2	Nut, Hex Flanged
3	A028W233	1	Gasket, Air Cleaner
4	140-4229	1	Cover, Air Cleaner
5	140-4230	1	Element, Air Cleaner
6	140-4231	1	Bracket, Air Cleaner
7	518-0784	4	Screw, Air Cleaner
8	140-4232	1	Frame, Air Cleaner
9			Bracket, Air Cleaner
	140-4233	1	P2400/P3500/P2927/P3027/P2220c
	A026K958	1	P2927c

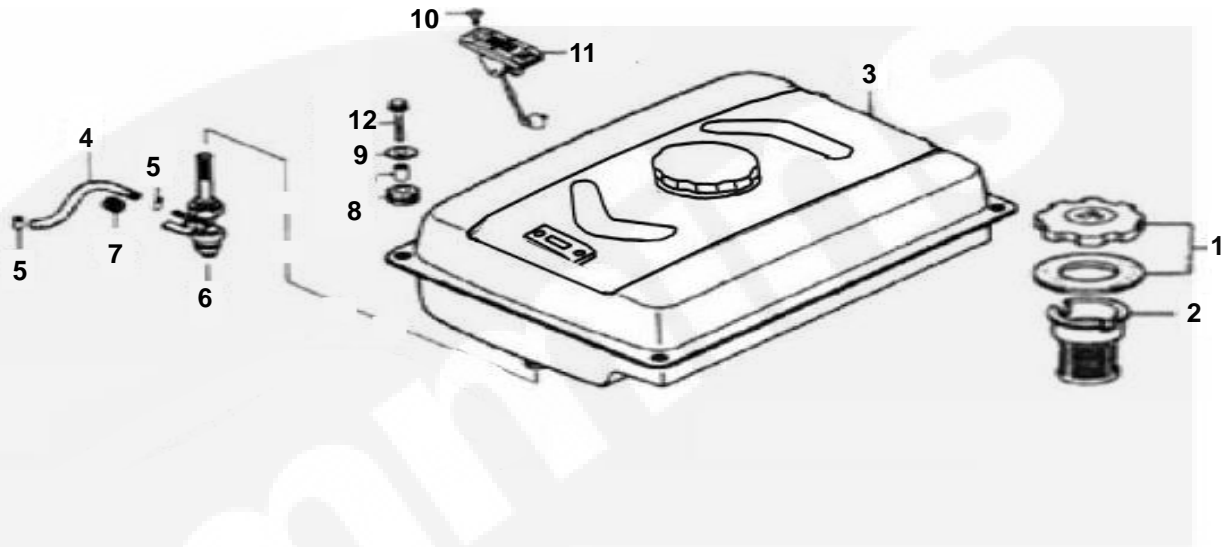


## Muffler



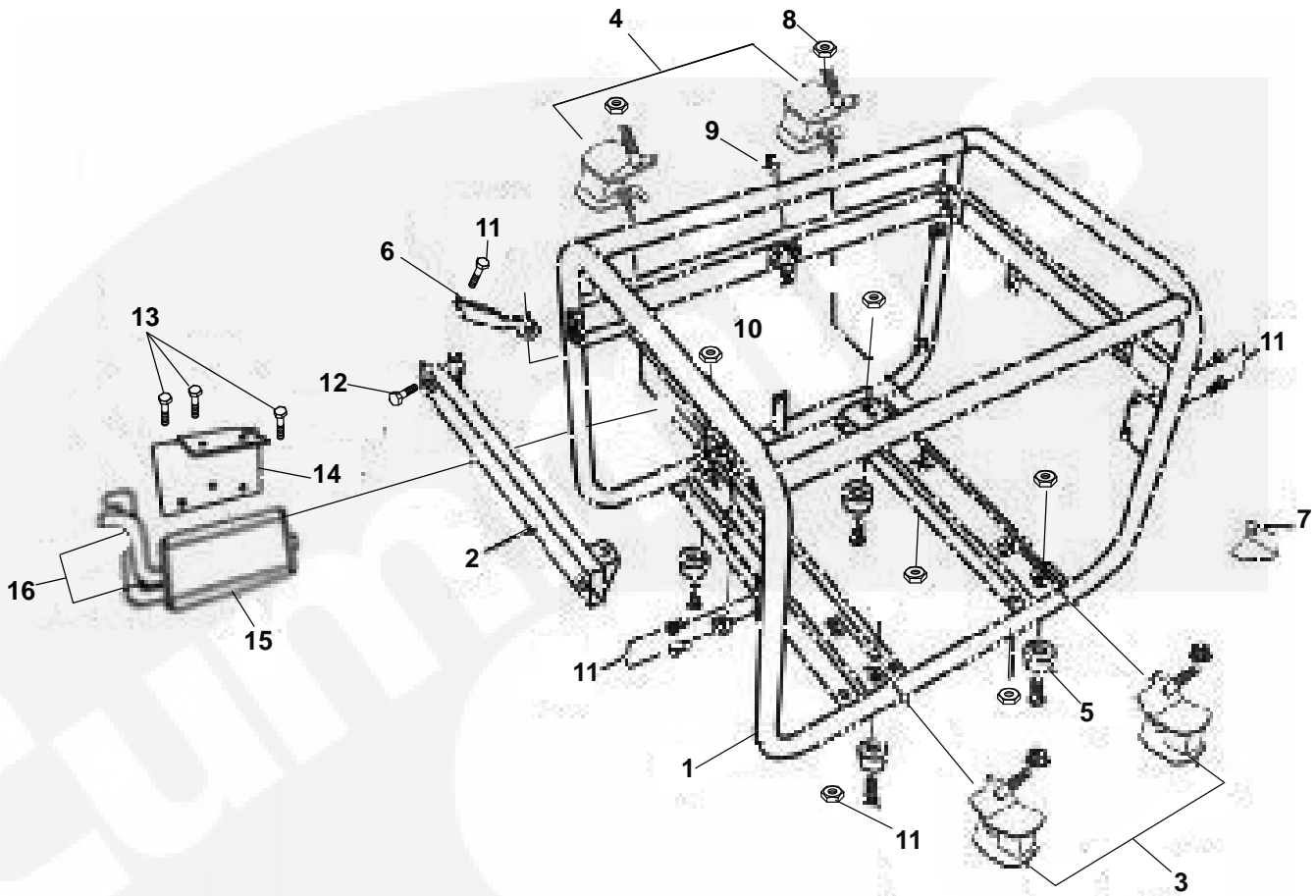
REF NO.	PART NO.	QTY USED	PART DESCRIPTION	REF NO.	PART NO.	QTY USED	PART DESCRIPTION
1	181-0266	5	Screw, Hex Flanged Head P2400/P3500/P2220c	6	181-0365	1	Bracket, Muffler
	181-0311	6	P2927c/P2927/P3027	7	181-0592	1	Muffler P2400/P2220c/P3500 /P2927c
2	181-0359	1	Exhaust, Heat Shield P2400/P3500/P2220c		155-4766	1	P2927/P3027
	A028W266	1	P2927c/P2927/P3027	8	181-0454	1	Arrestor, Spark
3	181-0455	2	Nut, Hex	9	181-0252	2	Bolt, (P2927c)
4	181-0411	3	Screw, Hex Flanged Head	10	A026K961	1	Gasket, (P2927c)
5	181-0364	1	Bracket, Muffler	11	A028W223	1	Valve, Air, (P2927c)

## Fuel Tank



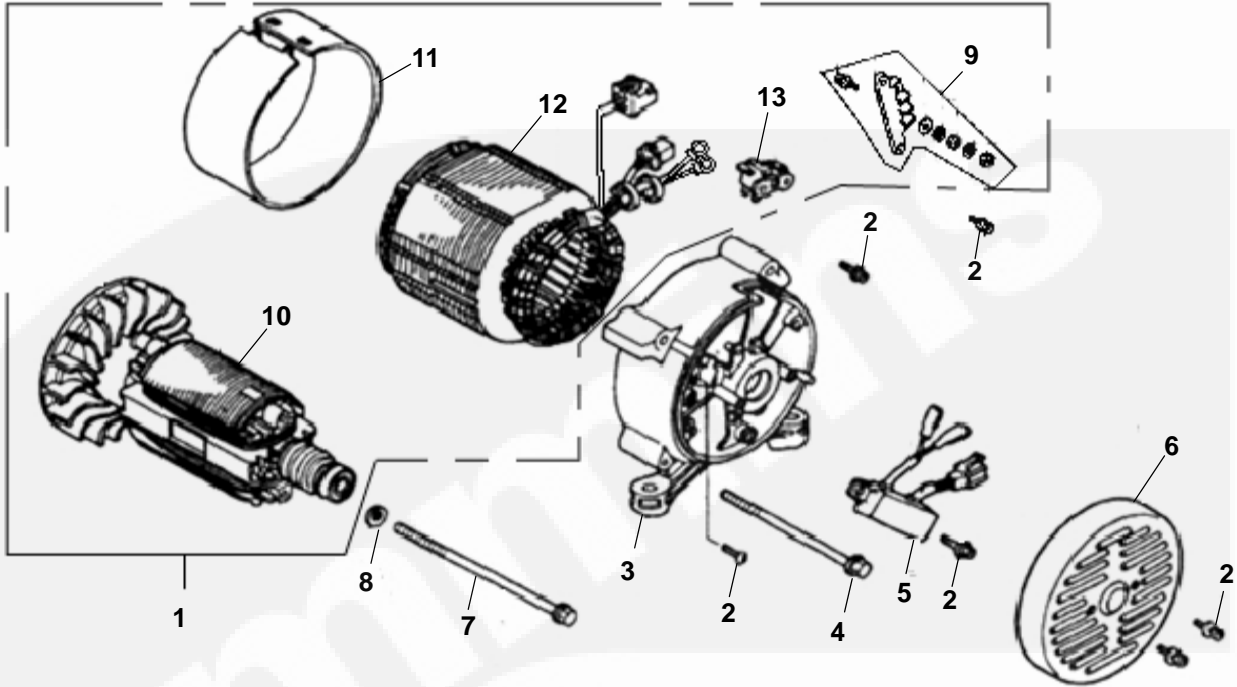
REF NO.	PART NO.	QTY USED	PART DESCRIPTION	REF NO.	PART NO.	QTY USED	PART DESCRIPTION
1	181-0367	1	Cap, Filler P2400/P3500/P2927/P3027/ P2220c	8	181-0459	4	Isolator, Vibration (Fuel Tank)
	A026K965	1	P2927c	9	181-0458	4	Washer
2	181-0368	1	Filter, Fuel	10	181-0460	2	Screw, Flat Head Slotted
3	A026K964	1	Tank, Fuel	11	181-0372	1	Gauge, Level
4	181-0462	1	Hose, Fuel	12	181-0373	4	Screw, Hex Flanged Head P2400/P3500
5	181-0461	1	Clip, Retainer		181-0338	4	P2927c/P2927/P3027/ P2220c
6	181-0457	1	Valve, Fuel	13	181-0374	4	Sleeve, Tube
7	181-0463	1	Isolator, (Fuel Tube)				

## Frame



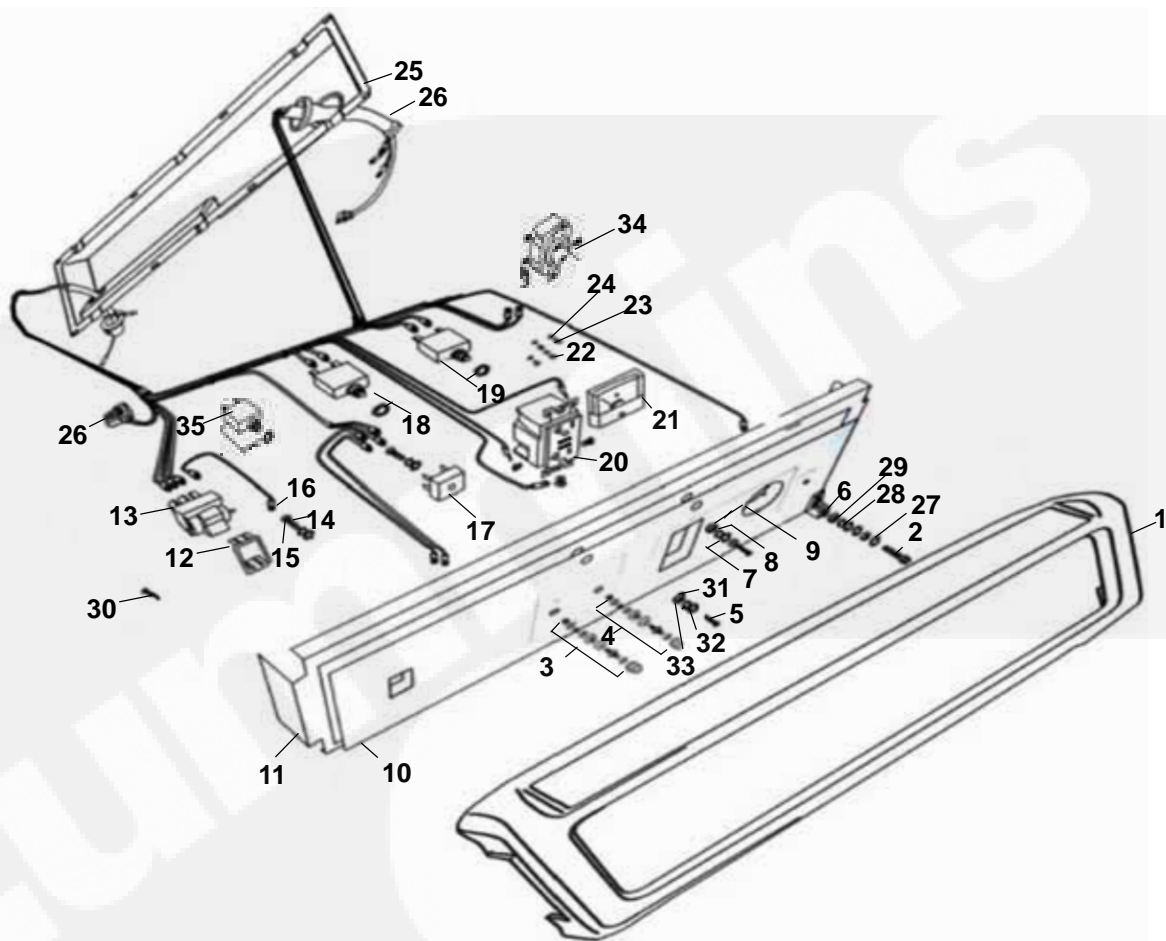
REF NO.	PART NO.	QTY USED	PART DESCRIPTION	REF NO.	PART NO.	QTY USED	PART DESCRIPTION
1			Frame, Generator	10	181-0344	1	Nut, Hex Flanged
	181-0467	1	P2400/P2220c	11			Screw, Hex Flanged Head
	181-0593	1	P3500/P2927c		181-0266	2	P2400/P3500/P2220c
	A028U603	1	P2927/P3027		181-0252	2	P2927c/P2927/P3027
2	181-0380	1	Frame, Generator	12			Screw, Hex Flanged Head
3	181-0470	2	Isolator, Vibration (Right)		181-0411	1	P2400/P3500/P2220c
4	181-0469	1	Isolator, Vibration (Left)		A026L009	1	P2927c/P2927/P3027
5	181-0534	1	Washer, Valve Spring	13	181-0266	5	Screw, (P2927c)
6	181-0382	1	Bracket, Air Cleaner	14	A029C503	1	Bracket, Carbon Canister (P2927c)
7	181-0602	1	Bracket	15	159-1799	1	Canister, Carbon (P2927c)
8	181-0122	2	Nut, Hex Flanged	16	A026K995	1	Tube (P2927c)
9	181-0129	1	Rubber, Tank Cushion				

# Generator



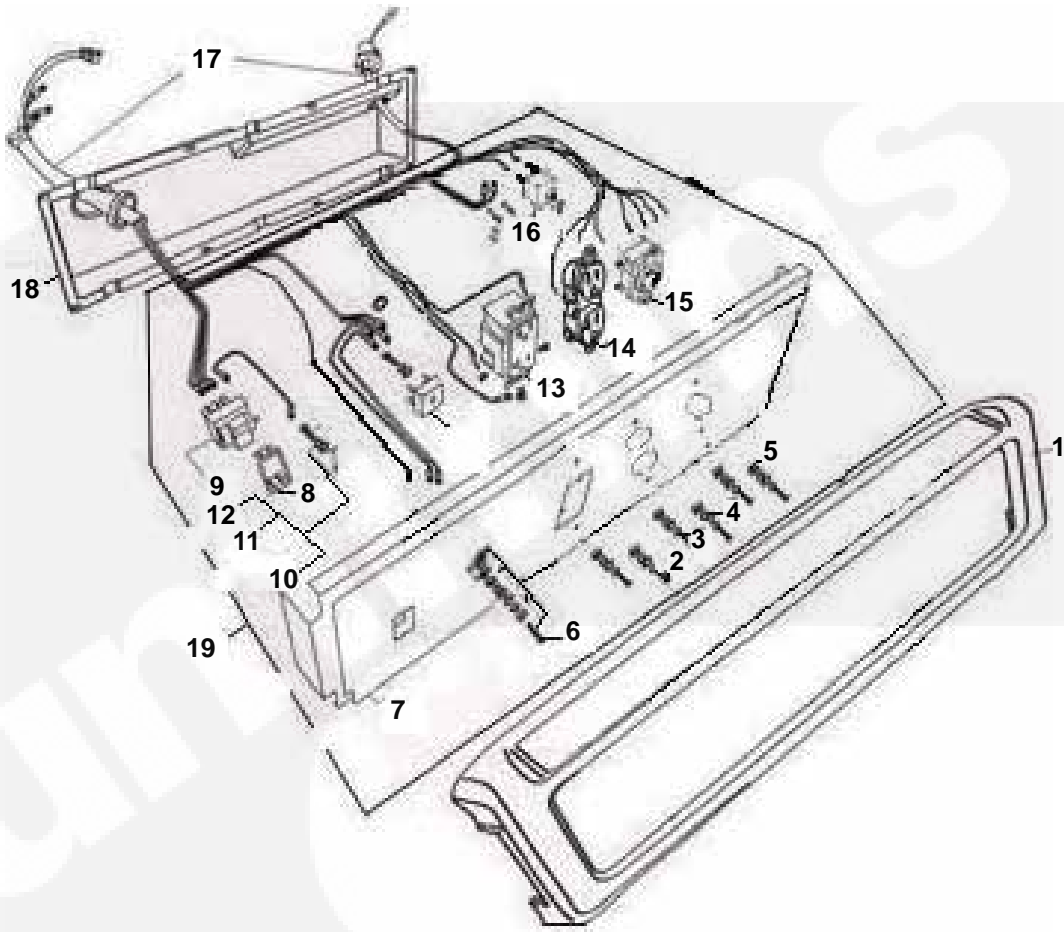
REF NO.	PART NO.	QTY USED	PART DESCRIPTION	REF NO.	PART NO.	QTY USED	PART DESCRIPTION
1	181-0594	1	Alternator	6	181-0396	1	Cover, Stator
	181-0595	1	P2400/P2220c 2kW	7		1	Screw, Hex Head
	A028X023	1	P3500 2.5kW		181-0473	1	P2400/P2220c 2kW
	A028X024	1	P2927c/P2927		181-0598	1	P3500 2.5kW
2			P3027		805-2023	1	P2927c/P2927/P3027
			Screw, Hex Flanged Head (M6 x 16mm)	8	181-0472	1	Washer
	181-0596	3	P2400/P3500/P2220c	9	214-0111	1	Brushes (Not Shown)
	815-1567	3	P2927c/P2927/P3027	10	A028X028	1	Rotor
3	181-0392	1	Housing, Generator	11	234-1084	1	Cover, Stator
4			Screw	12		1	Stator
	181-0476	4	P2400/P2220c 2kW		A028X029	1	P2927c/P2927
	181-0597	4	P3500 (M6 x 150mm)		A028X030	1	P3027
	815-1568	1	P2927c/P2927/P3027	13	A026K983	1	Terminal, Voltage
5			Regulator, Voltage				
	181-0395	1	P2400/P2220c 2kW				
	181-0637	1	P3500 2.5kW				
	A026K967	1	P2927c/P2927/P3027				

## Control Panel P2400/ P3500/ P2220c



REF NO.	PART NO.	QTY USED	PART DESCRIPTION	REF NO.	PART NO.	QTY USED	PART DESCRIPTION
1	181-0478	1	Panel, Control (Case)	19	181-0617	1	Breaker, Circuit (20Amp)
2	181-0607	1	Screw, Ground	20	323-2545	1	Receptacle Duplex (GFI)
3	181-0603	1	Terminal, Socket (12V)	21	181-0625	1	Meter, Voltage
4	181-0604	1	Terminal, Socket (12V)	22	181-0626	4	Washer
5	181-0605	1	Screw	23	181-0627	4	Washer, Spring Lock
6	181-0606	1	Lug, Cable Ground	24	181-0628	4	Nut, Hex
7	181-0574	3	Washer	25	181-0479	1	Cover, Control
8	181-0575	3	Washer, Spring Locking	26	181-0636	11	Harness, Genset
9	181-0480	3	Nut, Hex Flanged	27	181-0631	3	Washer
10	181-0634	1	Label, Control Panel	28	181-0632	1	Washer, Spring Lock
11	181-0635	1	Panel, Control	29	181-0633	2	Nut, Hex
12	181-0610	1	Bezel, Switch	30	181-0466	6	Screw, Pan Head Slotted
13	181-0611	1	Switch, Rocker	31	181-0480	8	Nut, Hex
14	181-0612	1	Washer	32	181-0465	8	Washer
15	185-7069	1	Washer, Spring Locking	33	181-0464	8	Washer, Spring Locking
16	181-0614	1	Screw	34	A026K996	1	Receptacle, Twist Lock
17	181-0615	1	Assy, Rectifier	35	181-0624	1	Breaker, Circuit (25/30Amp)
18	181-0616	1	Breaker, Circuit (10Amp)				

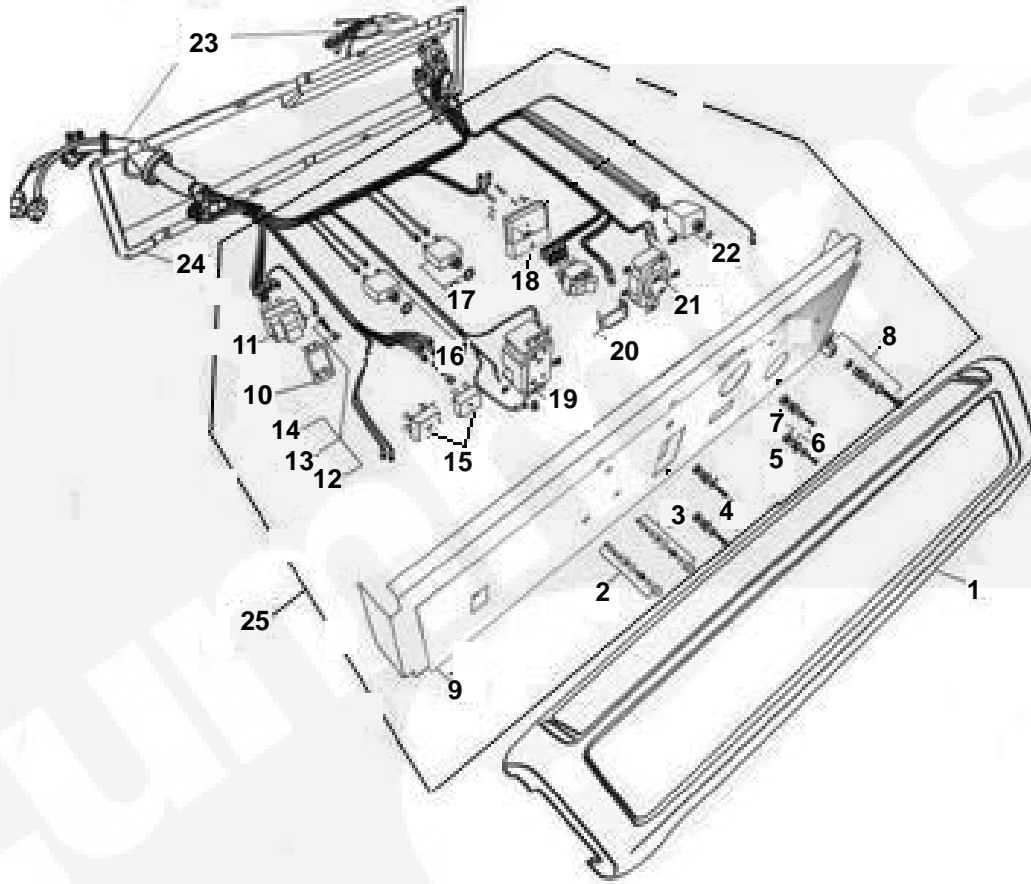
## Control Panel P2927/P2927c



REF NO.	PART NO.	QTY USED	PART DESCRIPTION	REF NO.	PART NO.	QTY USED	PART DESCRIPTION
1	181-0478	1	Panel, Control (Case)	12	805-2024	1	Screw, (M4x 10mm)
2	805-2024	1	Bolt (M4 x 10mm)	13	A028X065	1	Terminal, Socket
3	A026L012	1	Washer	14	A028X066	1	Terminal, Socket
4	850-2096	1	Washer, Spring	15	A026K996	1	Terminal, Socket
5	870-2296	1	Nut	16	A028W281	1	Breaker, Circuit
6	332-4327	1	Lug, Cable Ground	17	A028X322	1	Harness
7	A028W302	1	Panel, Control	18	181-0479	1	Panel, Control (Case)
8	181-0610	1	Mounting Frame, Switch	19	A028W297	1	Panel Assy, Control
9	A029P229	1	Switch				
10	A026L012	1	Washer				
11	850-2096	1	Washer, Spring				

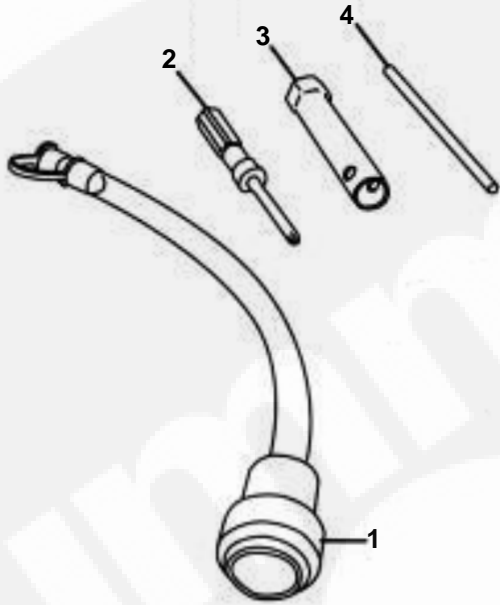


## Control Panel P3027



REF NO.	PART NO.	QTY USED	PART DESCRIPTION	REF NO.	PART NO.	QTY USED	PART DESCRIPTION
1	181-0478	1	Panel, Control (Case)	14	805-2024	1	Screw, (M4x 10mm)
2	404-0313	1	Post, Anode	15	357-0160	1	Rectifier
3	404-0314	1	Post, Cathode	16	181-0616	1	Breaker, Circuit
4	805-2024	1	Bolt (M4 x 10mm)	17	319-7142	1	Breaker, Circuit
5	A026L012	1	Washer	18	302-2103	1	Voltmeter
6	850-2096	1	Washer, Spring	19	323-2545	1	Socket, Terminal
7	870-2296	1	Nut	20	181-0621	1	Switch, Transition
8	332-4327	1	Lug, Cable Ground	21	A026K996	1	Socket, Terminal
9	A028W306	1	Panel, Control	22	A028W281	1	Breaker, Circuit
10	181-0610	1	Mounting Frame, Switch	23	A028X326	1	Harness
11	A029P229	1	Switch	24	181-0479	1	Panel, Control (Case)
12	A026L012	1	Washer	25	A028W295	1	Panel Assy, Control
13	850-2096	1	Washer, Spring				

## Accessories



REF NO.	PART NO.	QTY USED	PART DESCRIPTION	REF NO.	PART NO.	QTY USED	PART DESCRIPTION
1	181-0582	1	Cap, Filler Bottle	3	167-1656	1	Tool, Spark Plug Socket
2	181-0583	1	Tool, Screwdriver	4	181-0585	1	Tool, Socket Arm





## Numerical Index

<u>Part No.</u>	<u>Page</u>	<u>Part No.</u>	<u>Page</u>	<u>Part No.</u>	<u>Page</u>	<u>Part No.</u>	<u>Page</u>
140-4229,	14	181-0315,	10	181-0450,	12	181-0598,	18
140-4230,	14	181-0316,	10	181-0452,	13	181-0601,	4
140-4231,	14	181-0317,	9 , 10	181-0453,	14	181-0602,	17
140-4232,	14	181-0318,	10	181-0454,	15	181-0603,	19
140-4233,	14	181-0320,	11	181-0455,	15	181-0604,	19
155-4766,	15	181-0323,	11	181-0457,	16	181-0605,	19
159-1799,	17	181-0328,	12	181-0458,	16	181-0606,	19
167-1656,	22	181-0330,	12	181-0459,	16	181-0607,	19
181-0036,	5	181-0331,	12	181-0460,	16	181-0610,	19 , 20 , 21
181-0122,	17	181-0338,	12 , 16	181-0461,	16	181-0611,	19
181-0241,	4	181-0341,	13	181-0462,	16	181-0612,	19
181-0245,	4	181-0343,	13	181-0463,	16	181-0614,	19
181-0246,	4	181-0344,	13 , 14 , 17	181-0464,	19	181-0615,	19
181-0248,	4	181-0345,	13	181-0465,	19	181-0616,	19 , 21
181-0252,	4 , 5 , 15 , 17	181-0346,	13	181-0466,	19	181-0617,	19
181-0259,	5	181-0359,	15	181-0467,	17	181-0621,	21
181-0260,	5	181-0364,	15	181-0469,	17	181-0624,	19
181-0261,	5	181-0365,	15	181-0470,	17	181-0625,	19
181-0266,	5 , 15 , 17	181-0367,	16	181-0472,	18	181-0626,	19
181-0267,	5	181-0368,	16	181-0473,	18	181-0627,	19
181-0269,	6	181-0369,	16	181-0476,	18	181-0628,	19
181-0270,	6	181-0372,	16	181-0478,	19 , 20 , 21	181-0631,	19
181-0275,	6	181-0373,	16	181-0479,	19 , 20 , 21	181-0632,	19
181-0276,	7	181-0374,	16	181-0480,	19	181-0633,	19
181-0278,	7	181-0380,	17	181-0482,	4	181-0634,	19
181-0279,	7	181-0382,	17	181-0487,	5	181-0635,	19
181-0280,	7	181-0392,	18	181-0501,	9	181-0636,	19
181-0282,	7	181-0395,	18	181-0534,	17	181-0637,	18
181-0283,	7	181-0396,	18	181-0574,	19	185-7069,	19
181-0291,	8	181-0411,	15 , 17	181-0575,	19	191-2480,	9
181-0292,	8	181-0413,	4	181-0582,	22	214-0111,	18
181-0294,	8	181-0422,	12	181-0583,	22	234-1083,	9
181-0295,	8	181-0434,	4	181-0585,	22	234-1084,	18
181-0296,	8	181-0438,	5 , 6	181-0591,	13	302-2103,	21
181-0297,	8	181-0441,	5	181-0592,	15	319-7142,	21
181-0298,	8	181-0442,	5	181-0593,	17	323-2545,	19 , 21
181-0300,	8	181-0443,	5 , 6	181-0594,	18	332-4327,	20 , 21
181-0302,	8	181-0444,	4 , 6	181-0595,	18	357-0160,	21
181-0303,	8	181-0447,	8	181-0596,	18	404-0313,	21
181-0311,	9 , 13 , 15	181-0449,	12	181-0597,	18	404-0314,	21

## Numerical Index

<u>Part No.</u>	<u>Page</u>	<u>Part No.</u>	<u>Page</u>	<u>Part No.</u>	<u>Page</u>	<u>Part No.</u>	<u>Page</u>
516-2125,	4	A028X066,	20				
518-0784,	14	A028X322,	20				
805-2023,	18	A028X326,	21				
805-2024,	20 , 21	A028X408,	14				
815-1567,	18	A029C503,	17				
815-1568,	18	A029P229,	20 , 21				
850-2096,	20 , 21	A000H525,	5				
870-2296,	20 , 21	A000J460,	5				
880-0528,	13	A001W636,	4				
A002L764,	4	A003M008,	4				
A026K900,	4	A006L647,	13				
A026K958,	14	A006S110,	4				
A026K961,	15	A006Y434,	16				
A026K964,	16						
A026K965,	16						
A026K967,	18						
A026K983,	18						
A026K995,	17						
A026K996,	19 , 20 , 21						
A026L009,	17						
A026L012,	20 , 21						
A028U227,	6						
A028U603,	17						
A028W223,	15						
A028W229,	11						
A028W231,	11						
A028W233,	14						
A028W263,	4						
A028W266,	15						
A028W281,	20 , 21						
A028W295,	21						
A028W297,	20						
A028W302,	20						
A028W306,	21						
A028X023,	18						
A028X024,	18						
A028X028,	18						
A028X029,	18						
A028X030,	18						
A028X065,	20						



# Cummins **Onan**

## **Cummins Power Generation**

1400 73rd Ave. NE  
Minneapolis, MN 55432 USA

Phone 1 763 574 5000

Toll-free 1 800 888 6626

Fax 1 763 574 5298

Email [www.cumminsonan.com/contact](http://www.cumminsonan.com/contact)

[www.cumminsonan.com](http://www.cumminsonan.com)

Cummins®, Onan®, the "C" logo, and "Performance you rely on." are trademarks of Cummins Inc.

©2011 Cummins Power Generation, Inc. All rights reserved.

