



Parts Manual

Performance you rely on.™



50 Hz Portable Inverter Generator Set

EGMBH / P1700i



**For Parts Ordering and Technical Support
Please Contact**

**Cummins
50 – 52 Diagonal Road
Pooraka
South Australia 5082**

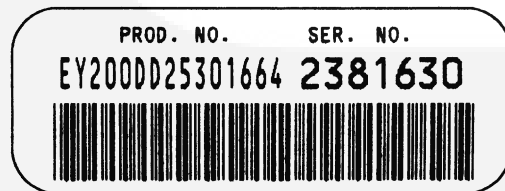
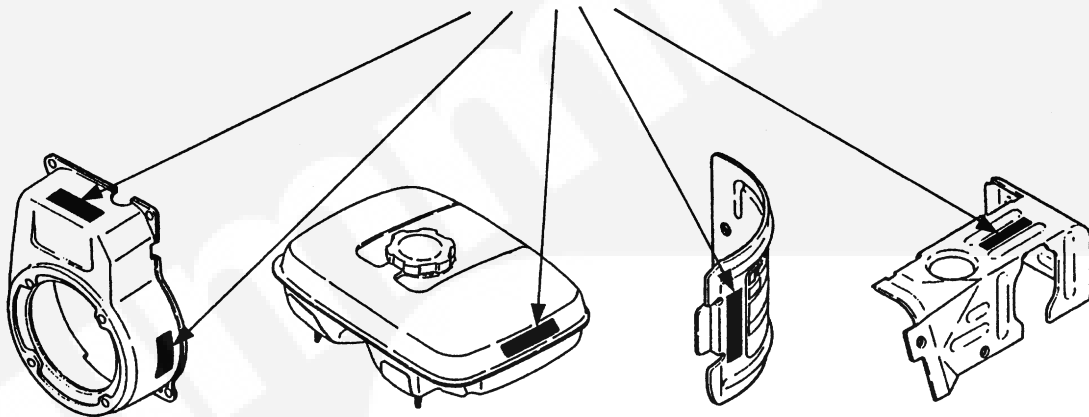
**Parts phone: 08 8368 4358
Service phone: 08 8368 4308**

HOW TO USE THIS MANUAL

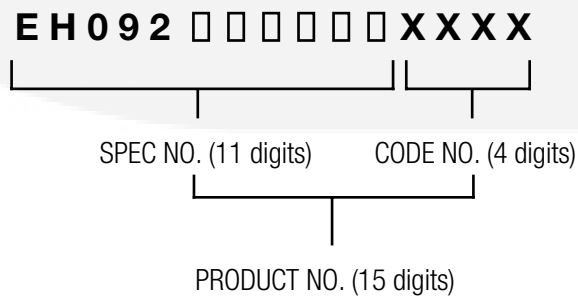
Robin engines are identified by MODEL, SPECIFICATION, and CODE NUMBER. For each model there may be many different versions called specifications. Each specification will be unique in some way. The difference may only be the paint color or it may have a different type of PTO or some other significant difference.

In order to identify the correct service part number, it is important to confirm the specification and code numbers for your engine. The specification and code number together are known as the PRODUCT NUMBER.

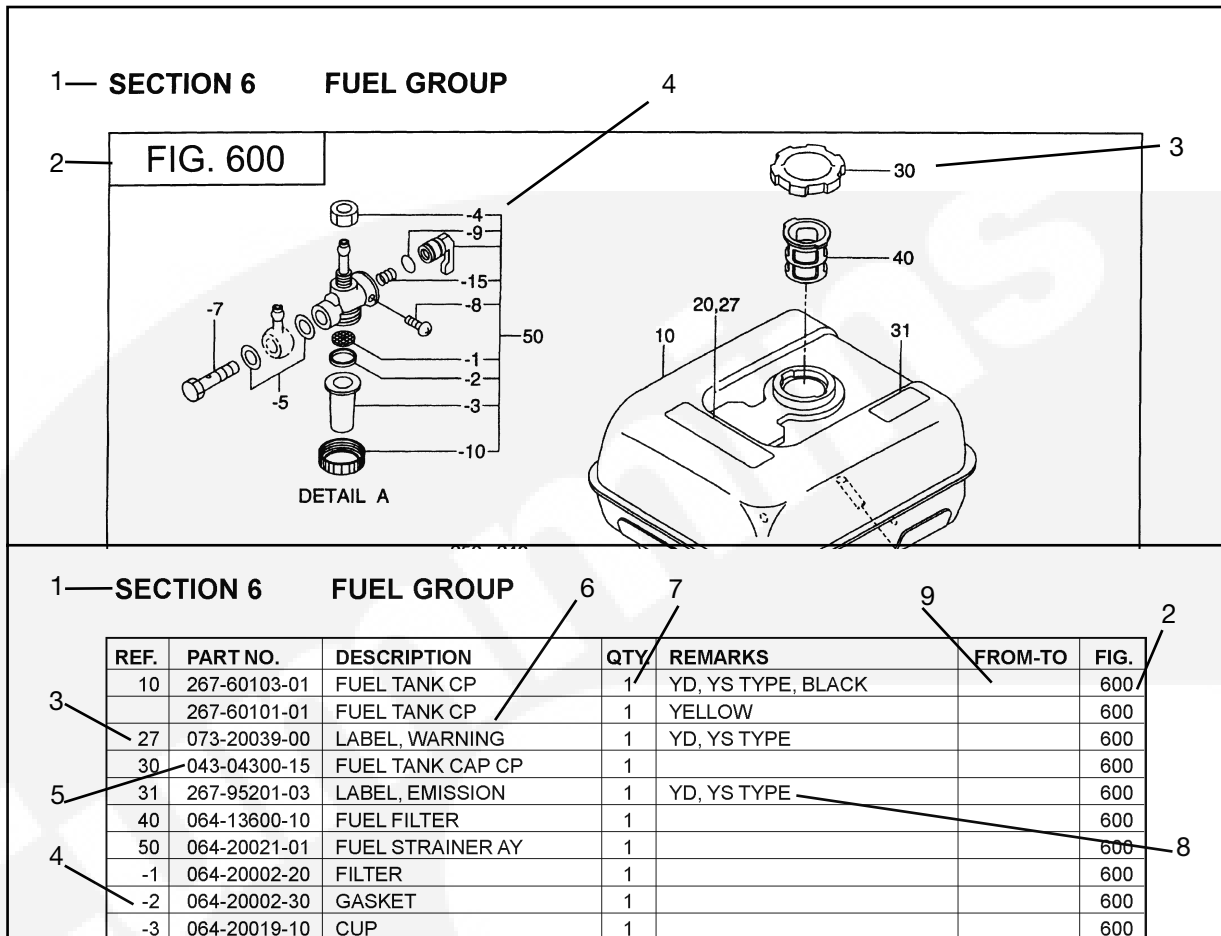
All Robin 4 cycle engines have a Product Number label similar to the label illustrated below.



The Product Number Label has a 15 digit alphanumeric string that consists of the SPECIFICATION (SPEC) number (11 digits) and the CODE number (4 digits). Please note the illustration below:



MANUAL LAYOUT



1. SECTION NAME Parts are broadly classified according to their functions. Refer to the Group Index (table of contents) for respective section name.
2. FIG. No. The FIG. number indexes the reference and part numbers to the illustration. Figure numbers that vary only in the tens place (i.e.: 700 and 710) are in a group of the same section (i.e.: Electrical Device Group).
3. REF. No. The Reference number identifies the part illustration with the corresponding part number in the part list.
4. SUBASSEMBLY SUBASSEMBLY parts of part assembly are listed below the assembly part. The subassembly part reference number is indicated by the number led by "-" such as "-1", "-2".
5. PART NUMBER It is the number assigned for sales unit. Use the PART No. when making an order.
6. DESCRIPTION It is designation of the part.
7. QTY. Quantity of each part used for each product.
8. REMARKS This gives a distinctive feature and/or a supplementary comment for the type, the specification, and the part concerned. It also shows part number(s) interchangeable for the part.
9. FROM-TO This section shows the CODE No. to indicate the history of progress in which improved parts have been introduced in the product. The FROM-TO CODE No. helps to identify PART No. being employed in the product concerned. See the examples below:
 - The part is used in the product irrespective of CODE No.
 - 2101- The part is used in the products with CODE No. of 2101 and after this number.
 - 2100 The part is used in the products with CODE No. of 2100 and before this number.

FOREWORD

This parts catalogue is compiled all service parts for Cummins model P1700i.

When modifications or additions to this parts catalogue are made, a revised edition will be issued at an appropriate time.

We recommend obtaining such revisions in order to keep your parts catalogue up-to-date at all times. To check whether a parts catalogue revision has been issued, please contact your Cummins distributor.

INDEX OF DESCRIPTION SYMBOLS

SYMBOL	DESCRIPTION	SYMBOL	DESCRIPTION
AY	ASSEMBLY	HEX.	HEXAGONAL
CP	COMPLETE	P=	PITCH (in mm)
EX	EXPORT (from Japan)	P.T.O. (PTO)	POWER TAKE OFF
FIG.	FIGURE	REF.	REFERENCE
FR.	FRONT	R	RIGHT HAND SIDE
"	INCH	RR	REAR
INCL.	INCLUDE	STD	STANDARD
~L	LITRE	SW	SWITCH
L=	LENGTH (in. mm)	T=	THICKNESS (in mm)
L	LEFT-HAND SIDE	UN	UNIT
MECH	MECHANICAL	U.S.	UNDER SIZE
NO (NON)	NONE	~V	VOLTAGE
OPT.	OPTIONAL	~W	WATT
O.S.	OVER SIZE	W/	WITH
N.	INLET	W/O	WITHOUT
EX.	EXHAUST	A.C.	ALT CURRENT
		D.C.	DIRECT CURRENT

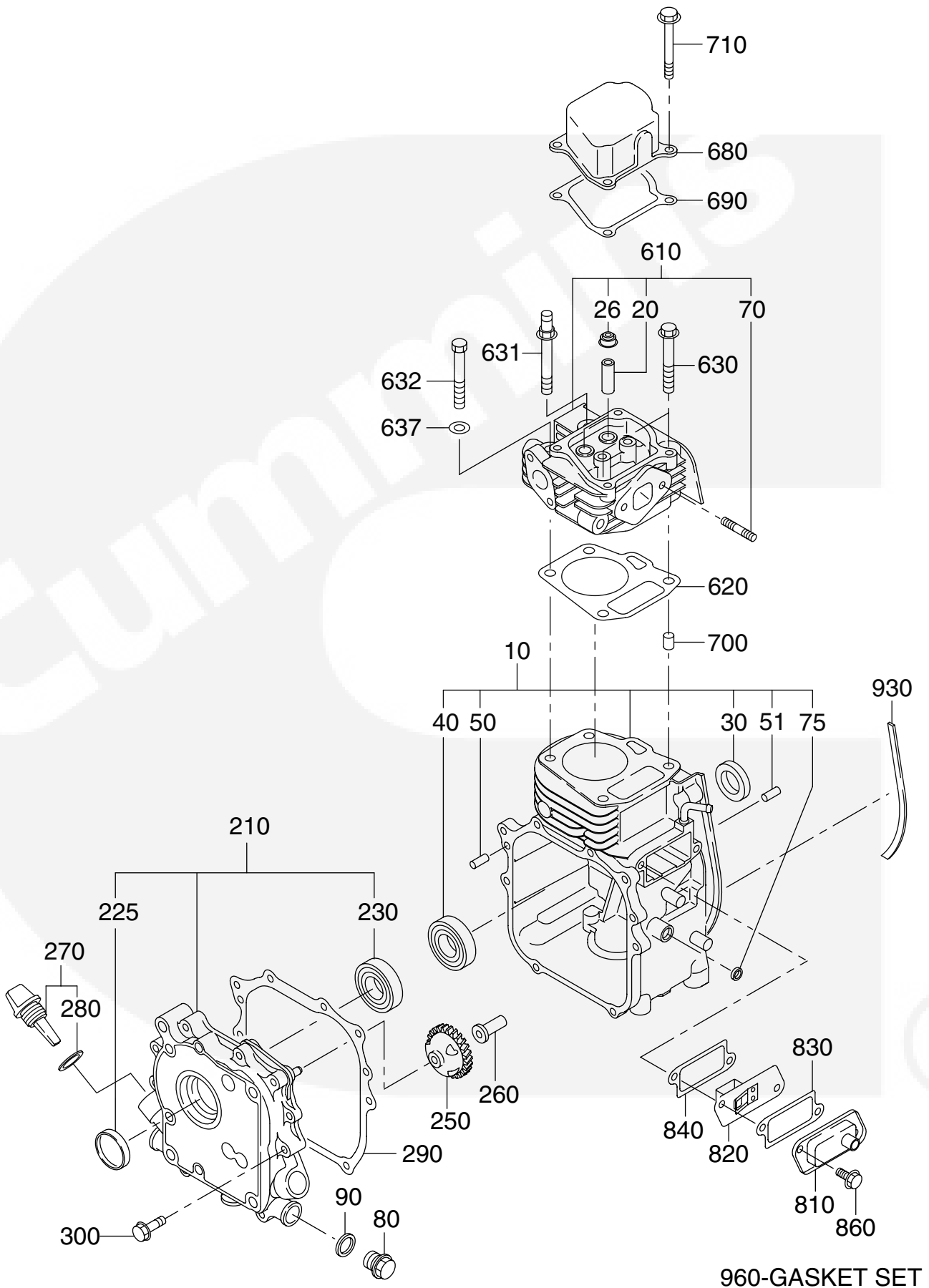


GROUP INDEX

Group Name	Page
CRANKCASE.....	6
CRANKSHAFT PISTON.....	8
INTAKE EXHAUST	10
GOVERNOR OPERATION	14
COOLING STARTING	16
FUEL LUBRICANT.....	20
ELECTRIC DEVICE.....	24
GENERATOR.....	28
BASE FRAME.....	30
CONTROL.....	32
COVER	34
FUEL TANK.....	38
ACCESSORIES LABEL	40



FIG. 100



1 CRANKCASE

REF.	PART NUMBER	PART NAME	QTY	R E M A R K S	CODE NO.	INTERCHANGE P/NO.	UNIT P	FIG.
10	284-10103-11	CRANKCASE CP	1		-			100
20	237-14202-03	VALVE GUIDE	2	5. 5DX9. 5DX27L	-			100
26	277-16010-01	STEM SEAL	1	5. 5DX9. 5DX15DX7. 8B	-			100
30	044-02000-70	OIL SEAL	1	20DX32DX6B	-			100
40	060-02001-40	BALL BEARING	1	20DX42DX12B	-			100
50	031-00600-20	DOWEL PIN	2	6DX14. 5L	-			100
51	277-15011-03	PIPE KNOCK	2	10. 3DX8. 5DX14L	-			100
70	010-50604-20	STUD	2	M6X1. 0X84L	-			100
75	044-00600-20	OIL SEAL	1	6DX10DX2. 5B	-			100
80	040-11400-30	PLUG	1	M14X1. 5X20DX12L	-			100
90	021-11400-20	GASKET	1	14. 1DX19DX2. 3T	-			100
210	284-11201-21	MAINBEARING COVER CP	1		-			100
225	230-17102-03	PLUG (RUBBER)	1		-			100
230	060-02001-40	BALL BEARING	1	20DX42DX12B	-			100
250	284-45003-01	GOVERNOR GEAR CP	1	44DX20T N=26	-			100
260	205-41901-03	GOVERNOR SLEEVE	1	6DX9DX16DX26L	-			100
270	230-63601-11	OIL GAUGE CP	1	M18X1. 5 L=38+18	7365-			100
	230-63601-01	OIL GAUGE CP	1	M18X1. 5 L=38+18	-7364			100
280	021-31600-20	GASKET	1	16DX23DX1. 2T RUBBER	-	X21-31600-20		100
290	284-16003-03	GASKET (BEARING COVER)	1	T=0. 3	-			100
300	011-00601-01	FLANGE BOLT	8	M6X1. 0X13DX28L	-			100
610	284-13003-11	CYLINDER HEAD CP	1		6972-			100
	284-13003-01	CYLINDER HEAD CP	1		-6971			100
620	284-15001-13	GASKET (HEAD)	1	T=0. 2	-			100
630	011-00802-10	FLANGE BOLT	2	M8X1. 25X16DX55L	-			100
631	011-00803-01	FLANGE BOLT	1		-			100
632	010-00804-20	BOLT	1	M8X1. 25X60L	-			100
637	020-00802-10	WASHER	1	8. 5DX17DX3. 2T	-			100
680	284-15501-03	ROCKER COVER	1		-			100
690	284-16007-03	GASKET (ROCKER COVER)	1	T=0. 5	7396-			100
	284-16004-03	GASKET (ROCKER COVER)	1	T=0. 7	-7395			100
700	277-15011-03	PIPE KNOCK	2	10. 3DX8. 5DX14L	-			100
710	011-00604-20	FLANGE BOLT	4		-			100
810	284-14301-01	BREATHING COVER CP	1		-			100
820	284-14401-01	BREATHING PLATE CP	1		-			100
830	230-16006-13	GASKET (TAPPET COVER)	1	T=0. 8	-			100
840	230-16007-03	GASKET (BREATHING)	1	T=2	-			100
860	011-00600-20	FLANGE BOLT	2	M6X1. 0X14DX12L	-			100
930	33K-58317-03	SPONGE CRANK	1		-			100
960	284-99002-17	GASKET SET	1		-			100

FIG. 200

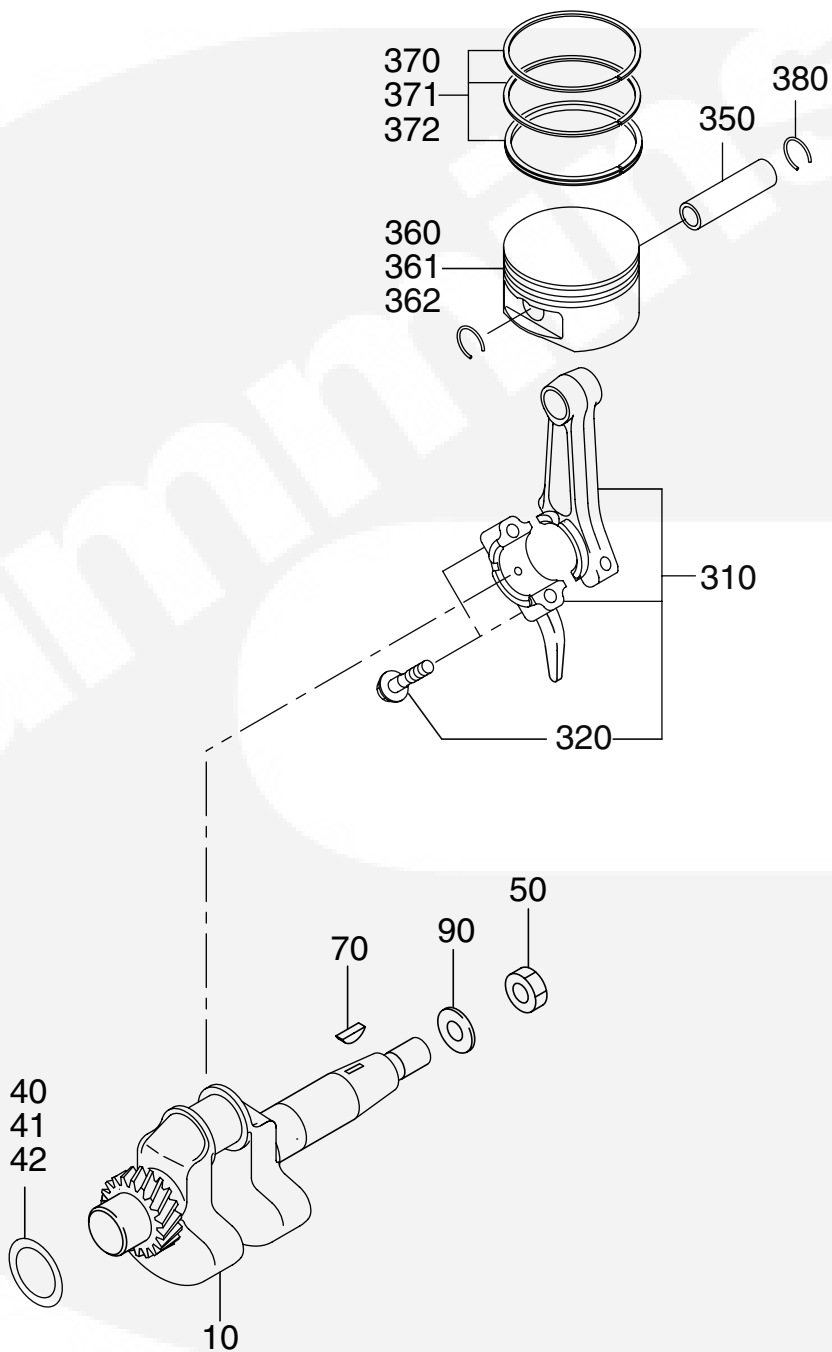
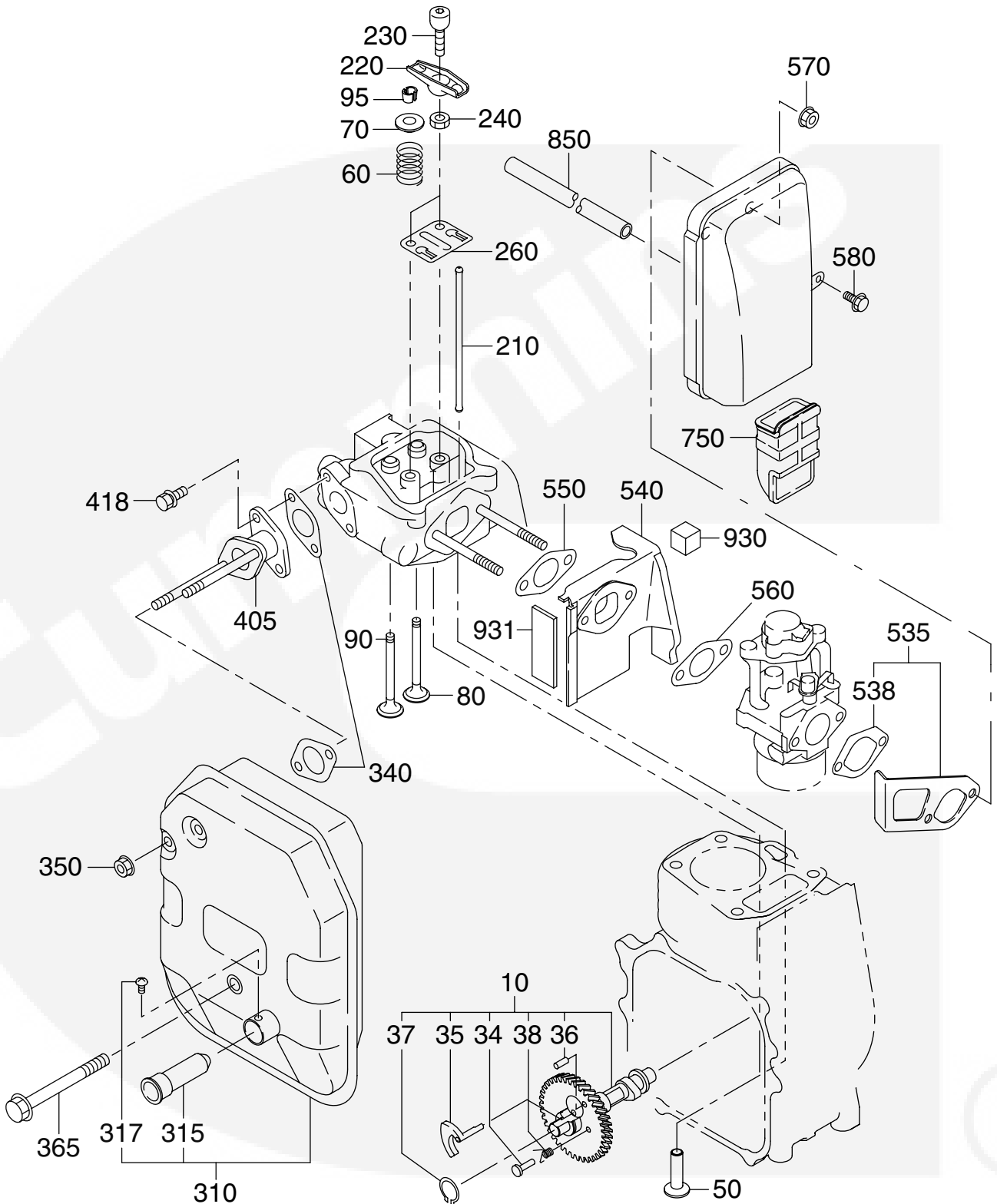


FIG. 300



3 INTAKE EXHAUST

REF.	PART NUMBER	PART NAME	QTY	R E M A R K S	CODE NO.	INTERCHANGE P/NO.	UNIT P	FIG.
10	284-31701-21	CAMSHAFT CP	1	L=92 63DX6. 6B N=38	-			300
34	227-38601-23	PIN (SPRING)	1	3. 8DX7. 5DX14L	-			300
35	284-36401-03	RELEASE LEVER	1		-			300
36	005-19041-00	SPRING PIN	1	4. 4DX10LX0. 8T	-			300
37	003-15170-00	SNAP RING OUTER	1		-			300
38	274-38701-23	RETURN SPRING	1	5DX0. 5DX5. 2L N=9. 7	-			300
50	274-33301-03	TAPPET	2	17DX8DX32L	-			300
60	274-33601-03	VALVE SPRING	2	17. 1DX2DX26. 7L N=5. 5	-			300
70	274-33702-03	SPRING RETAINER	2		-			300
80	284-33401-H3	INTAKE VALVE	1	21DX5. 5DX63. 6L	6972-			300
	274-33401-03	INTAKE VALVE	1	21DX5. 5DX63. 6L	-6971			300
90	284-33501-H3	EXHAUST VALVE	1	18DX5. 5DX63. 6L	6972-			300
	274-33501-03	EXHAUST VALVE	1	18DX5. 5DX63. 6L	-6971			300
95	132-10KA0-31	COLLET-VALVE	4		-			300
210	274-35301-03	PUSH ROD	2	4DX121. 6L	-			300
220	284-36001-13	ROCKER ARM	2		7396-			300
	284-36001-03	ROCKER ARM	2		7122-7395			300
	274-36003-03	ROCKER ARM	2		-7121	284-36001-03		300
230	269-35801-03	BOLT (PIVOT)	2	M6X0. 75X19L SOCKET H	-			300
240	017-00600-90	NUT	2	M6X0. 75X5. 1H	-			300
260	274-36501-03	GUIDE PLATE	1		-			300
310	284-30201-20	MUFFLER AY	1		-			300
315	269-37601-01	SPARK ARRESTER CP	1		-			300
317	015-00400-60	TAPPING SCREW	1	M4X6L	-			300
340	230-35204-01	GASKET CP (EXHAUST)	2	T=1. 3 20D 6. 5DX38P	-			300
350	018-00600-30	FLANGE NUT	2		-			300
365	011-00801-10	FLANGE BOLT	1	M8X1. 25X14DX80L	-			300
405	284-34101-13	EXHAUST PIPE	1		-			300
418	001-14061-60	BOLT AND WASHER AY	2	M6X1. 0X16L W/W, SW	-			300
535	284-32904-01	STAY BAFFLE CP	1		-			300
538	277-46701-03	GASKET (CHOKE)	1	T=0. 3	-			300
540	284-32903-03	INSULATOR	1		-			300
550	227-35902-03	GASKET 2 (INSULATOR)	1	T=0. 3 25D 6. 5DX42P	-			300
560	157-35001-03	GASKET (INSULATOR)	1	T=0. 3 20D 6. 5DX42P	-			300
570	002-38060-00	FLANGE NUT	2	M6X1. 0X13DX6H	-			300
580	011-00601-80	FLANGE BOLT	1	M6X1. 0X14DX18L	-			300
750	284-32101-03	DUCT	1		-			300
850	085-10803-60	RUBBER PIPE	1	8DX11DX37. 5L	-	085-10800-00		300
930	33K-58315-13	SPONGE INS	1		-			300
931	33K-58321-13	SPONGE INS 2	1		-			300

FIG. 315

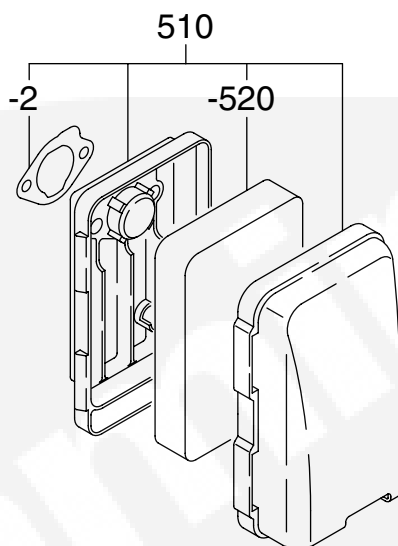


FIG. 400

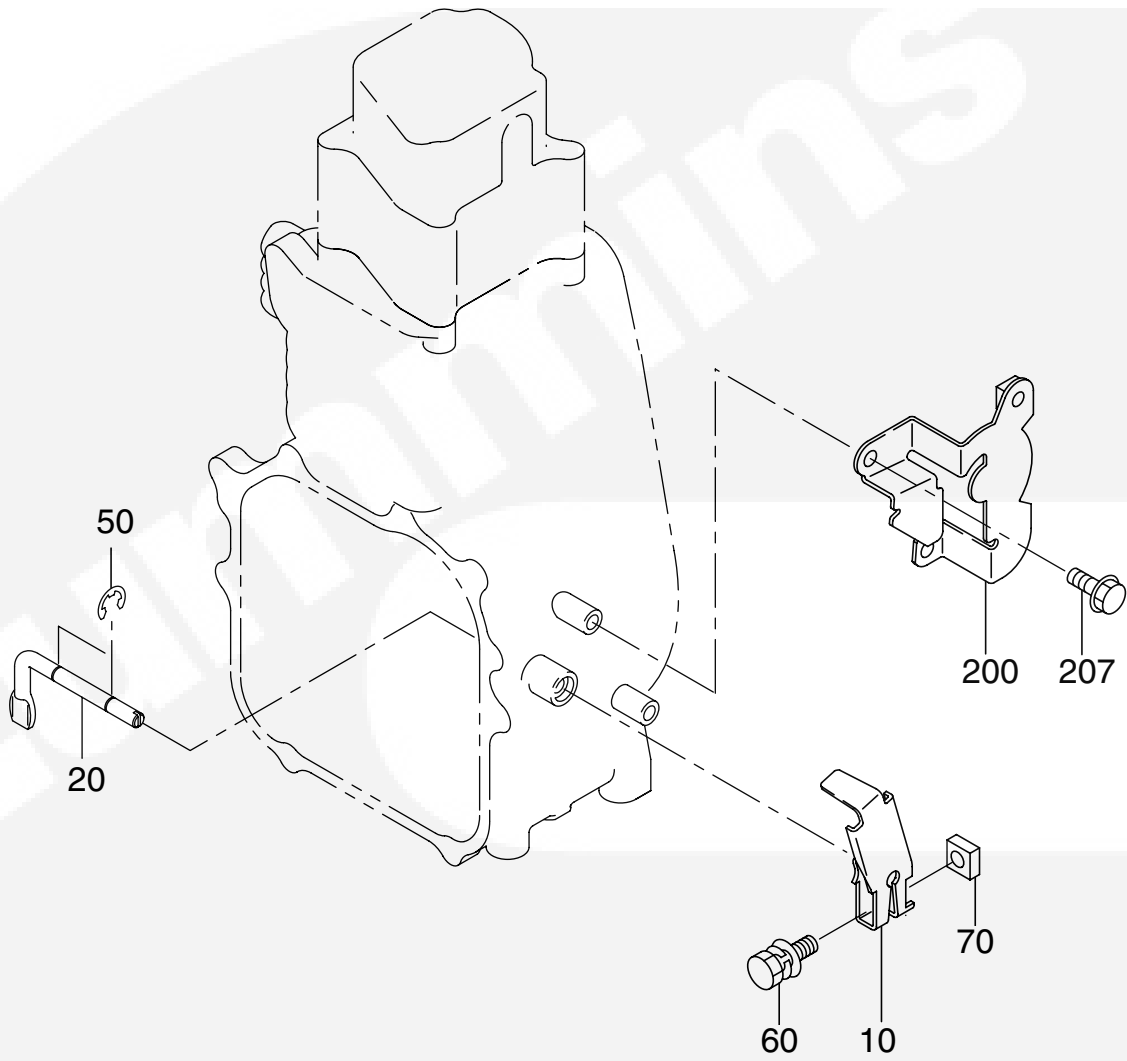
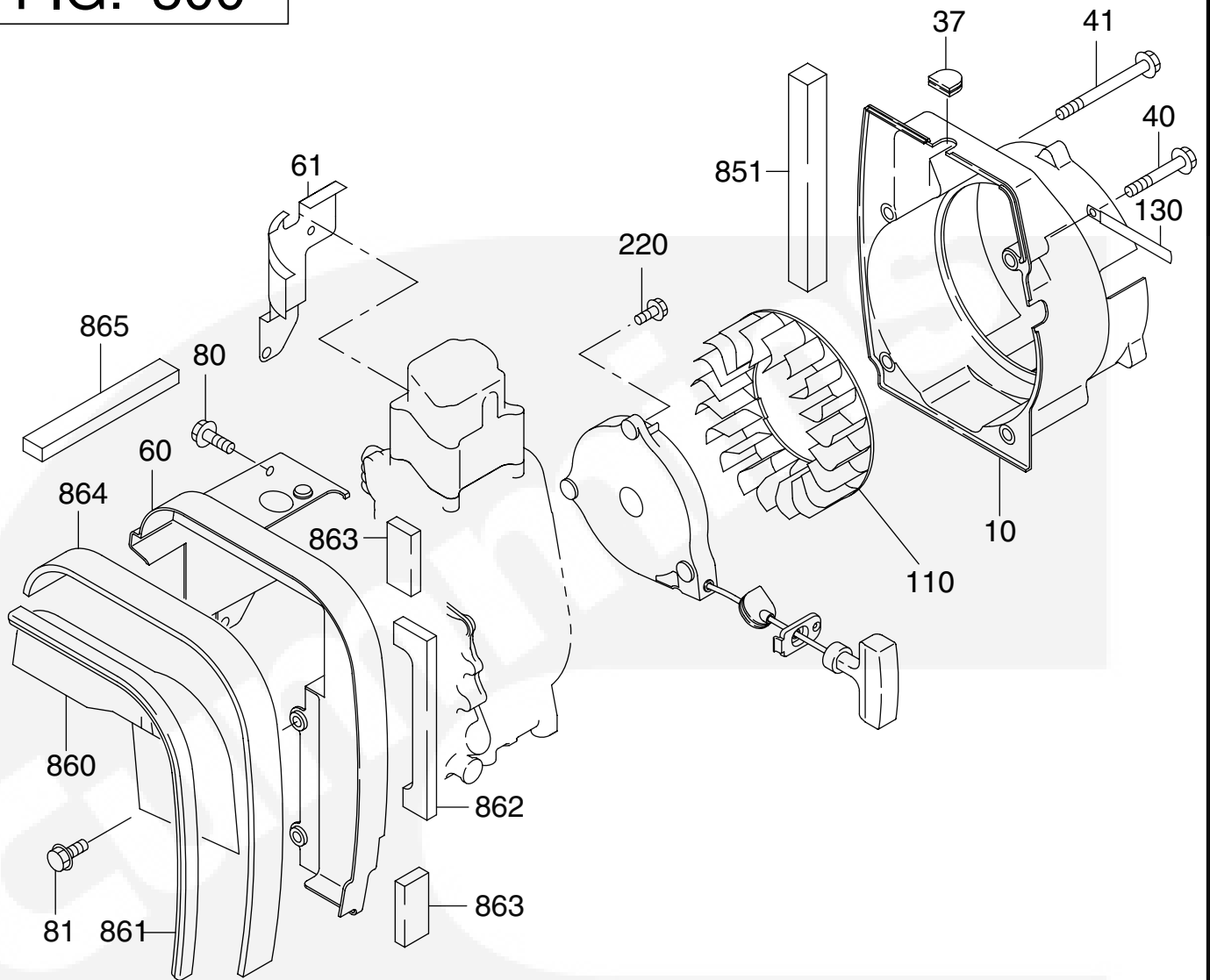


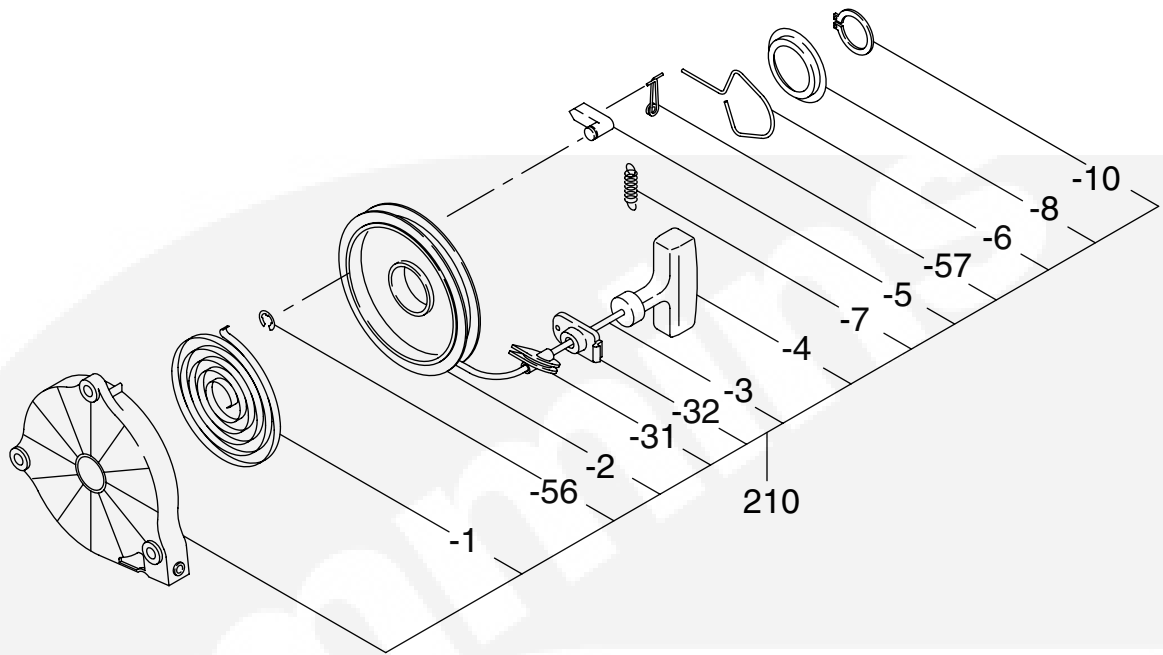
FIG. 500



5 COOLING STARTING

REF.	PART NUMBER	PART NAME	QTY	R E M A R K S	CODE NO.	INTERCHANGE P/NO.	UNIT P	FIG.
10	284-51201-03	BLOWER HOUSING	1		-			500
37	284-55501-03	GROMMET	1		-			500
40	011-00801-60	FLANGE BOLT	1	M8X55L	-			500
41	011-00803-02	FLANGE BOLT	3		-			500
60	284-53601-01	CYLINDER BAFFLE CP	1		-			500
61	284-53603-03	CYLINDER BAFFLE (E/G)	1		-			500
80	011-00600-20	FLANGE BOLT	1	M6X1. 0X14DX12L	-			500
81	011-00801-50	FLANGE BOLT	3	M8X1. 25X16DX12L	-			500
110	284-54201-13	COOLING FAN	1		-			500
130	056-60002-60	CLAMP	1	8. 5DX10BX95LX0. 4T	-			500
220	011-00601-40	FLANGE BOLT	3	M6X1. 0X14DX18L	-			500
851	284-51203-03	SEAL SPONGE BL	1		-			500
860	284-53606-23	INSULATION SEAT B1	1		-			500
861	284-53605-03	SEAL RUBBER	1		-			500
862	284-53609-03	SEAL SPONGE BAFFLE 2	1		-			500
863	284-53610-03	SEAL SPONGE BAFFLE 3	2		-			500
864	33K-58323-03	SPONGE BAFFLE 4	1		-			500
865	284-53608-03	SEAL SPONGE BAFFLE	1		-			500

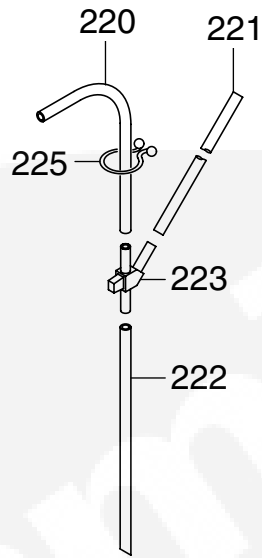
FIG. 520



5 COOLING STARTING

REF.	PART NUMBER	PART NAME	QTY	R E M A R K S	CODE NO.	INTERCHANGE P/NO.	UNIT P	FIG.
210	284-50221-10	RECOIL AY	1		-			520
- 1	284-50224-08	SPIRAL SPRING	1		-			520
- 2	284-50222-08	REEL	1		-			520
- 3	284-50233-08	STARTER ROPE	1		-			520
- 4	530-50021-10	STARTER KNOBE CP	1		-			520
- 5	284-50223-08	RACHET	1		-			520
- 6	284-50226-08	FRICTION SPRING	1		-			520
- 7	284-50227-08	RETURN SPRING	1		-			520
- 8	284-50225-18	FRICTION PLATE	1		-			520
- 10	284-50231-08	RETAINING RING C TY	1		-			520
- 31	284-56101-03	GUIDE	1		-			520
- 32	33K-53001-03	KNOB COVER	1		-			520
- 56	284-50229-08	RETAINING RING E TYP	1		-			520
- 57	284-50228-08	RACHET GUIDE	1		-			520

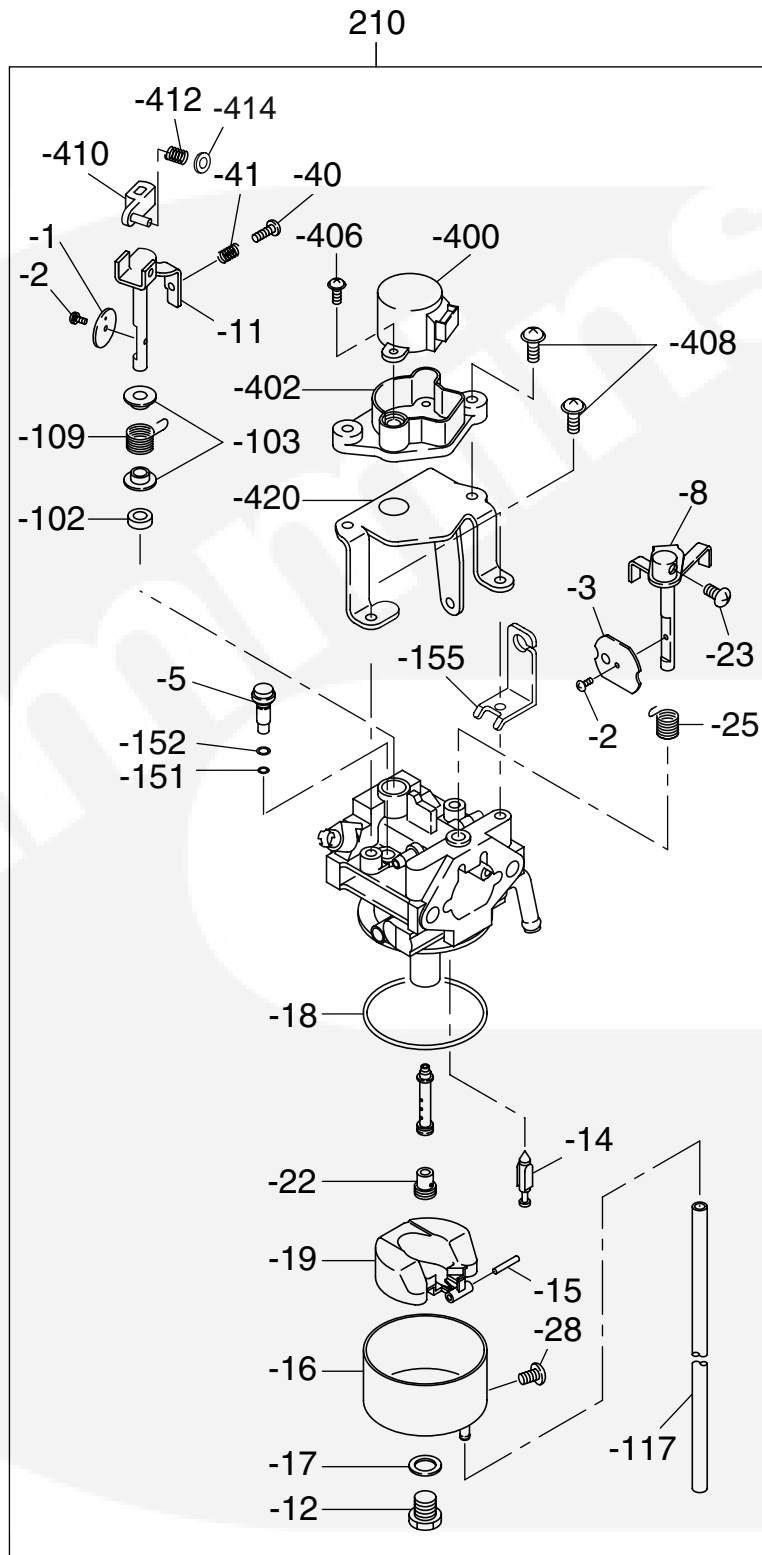
FIG. 600



6 FUEL LUBRICANT

REF.	PART NUMBER	PART NAME	QTY	R E M A R K S	CODE NO.	INTERCHANGE P/NO.	UNIT P	FIG.
220	085-00300-40	VINYL PIPE	1	3. 5DX5. 5DX175L	-	085-09300-00		600
221	085-00300-50	VINYL PIPE	1	3. 5DX5. 5DX210L	-	085-09300-00		600
222	085-00300-60	VINYL PIPE	1	3. 5DX5. 5DX140L	-	085-09300-00		600
223	284-67101-03	Y CONNECTOR	1		-			600
225	056-90000-20	PURSE LOCK	1		-			600

FIG. 642



6 FUEL LUBRICANT

REF.	PART NUMBER	PART NAME	QTY	R E M A R K S	CODE NO.	INTERCHANGE P/NO.	UNIT P	FIG.
210	284-62302-30	CARBURETOR AY	1		-			642
- 1	284-62535-08	THROTTLE VALVE	1		-			642
- 2	284-62455-08	SCREW	2		-			642
- 3	284-62527-08	VALVE CHOKE	1		-			642
- 5	284-62420-08	SLOW JET	1		-			642
- 8	284-62520-08	SHAFT AY CHOKE	1		-			642
- 11	284-62531-18	SHAFT SUB AY	1		-			642
- 12	284-62355-08	SCREW	1		-			642
- 14	279-62500-08	VALVE ASSY NEEDLE	1		-			642
- 15	284-62515-08	PIN, FLOAT LEVER	1		-			642
- 16	284-62550-08	CHAMBER AY, FLOAT	1		-			642
- 17	251-62350-08	GASKET	1		-			642
- 18	284-62540-08	GASKET CHAMBER	1		-			642
- 19	284-62505-08	FLOAT AY	1		-			642
- 22	284-62400-08	MAIN JET	1	#63	-			642
- 23	284-62456-08	SCREW	1		-			642
- 25	284-62445-08	SPRING CHOKE	1		-			642
- 28	251-62661-08	DRAIN SCREW	1		-			642
- 40	284-62353-08	SCREW ADJUST	1		-			642
- 41	279-62445-08	SPRING	1		-			642
-102	251-62559-08	BUSH	1		-			642
-103	284-62561-08	COLLAR	2		-			642
-109	284-62315-18	SPRING THROTTLE	1		-			642
-117	284-62566-18	PIPE	1		-			642
-151	284-62450-08	O-RING	1		-			642
-152	284-62451-08	O-RING	1		-			642
-155	284-62570-18	BRACKET WIRE	1		-			642
-400	284-62580-08	MOTOR	1		-			642
-402	284-62576-18	BRACKET MOTOR	1		-			642
-406	284-62458-08	SCREW	2		-			642
-408	284-62457-08	SCREW	5		-			642
-410	284-62555-08	JOINT LEVER	1		-			642
-412	284-62446-18	SPRING	1		-			642
-414	284-62447-08	WASHER	1		-			642
-420	284-62575-08	BRACKET	1		-			642

FIG. 700

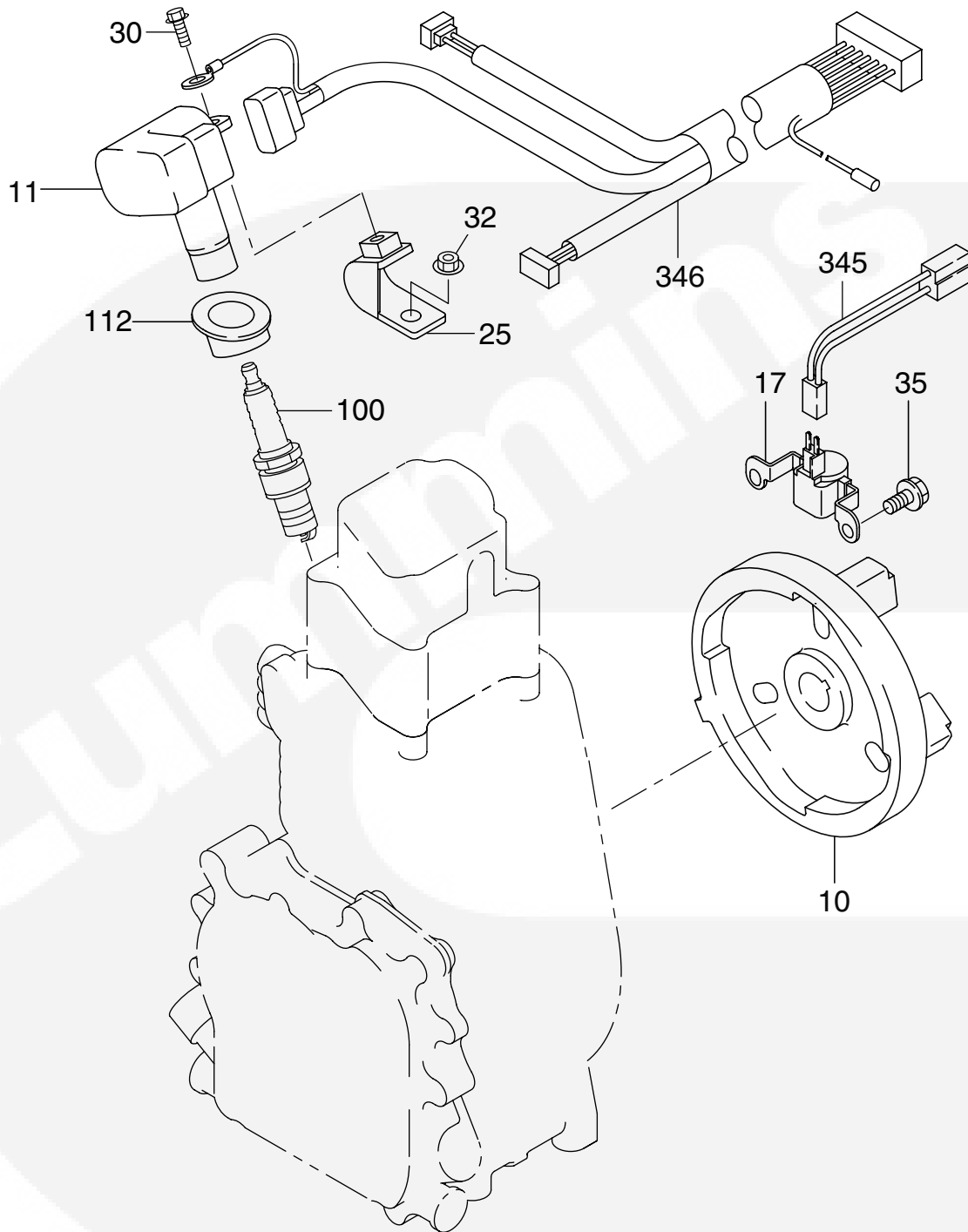
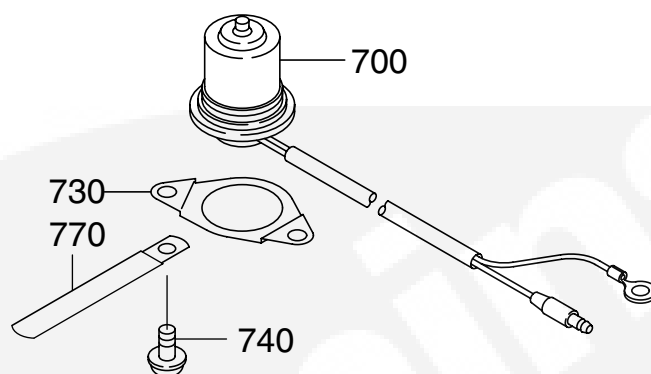


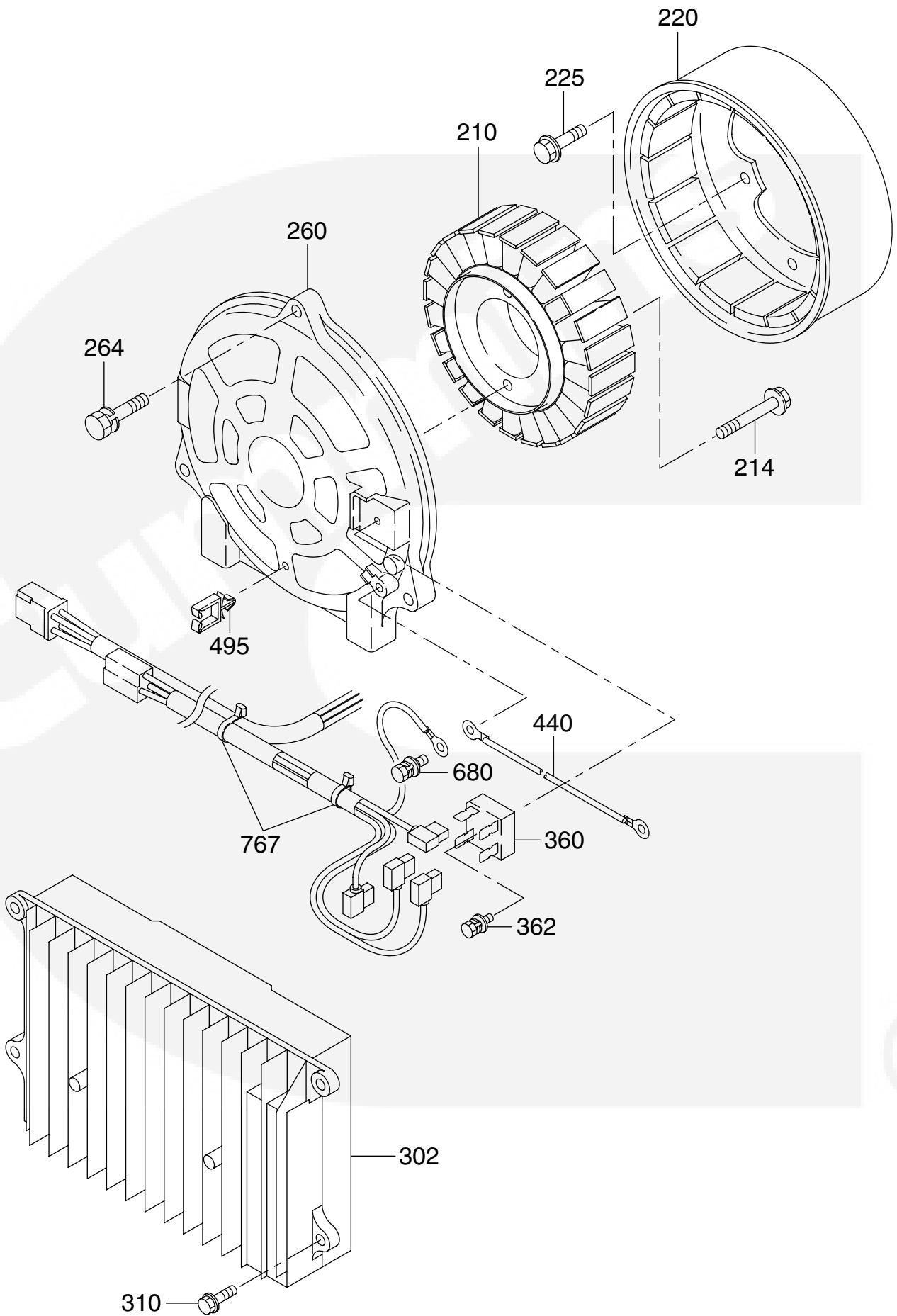
FIG. 770



7 ELECTRIC DEVICE

REF.	PART NUMBER	PART NAME	QTY	R E M A R K S	CODE NO.	INTERCHANGE P/NO.	UNIT P	FIG.
700	230-76301-11	OIL SENSOR CP	1		-			770
730	230-75801-03	SENSOR RETAINER	1		-			770
740	004-35061-00	SCREW AND WASHER AY	2	M6X1.0X10L W/SW	-			770
770	226-75101-03	CLAMP	1	6.5DX10BX55LX0.7T	-			770

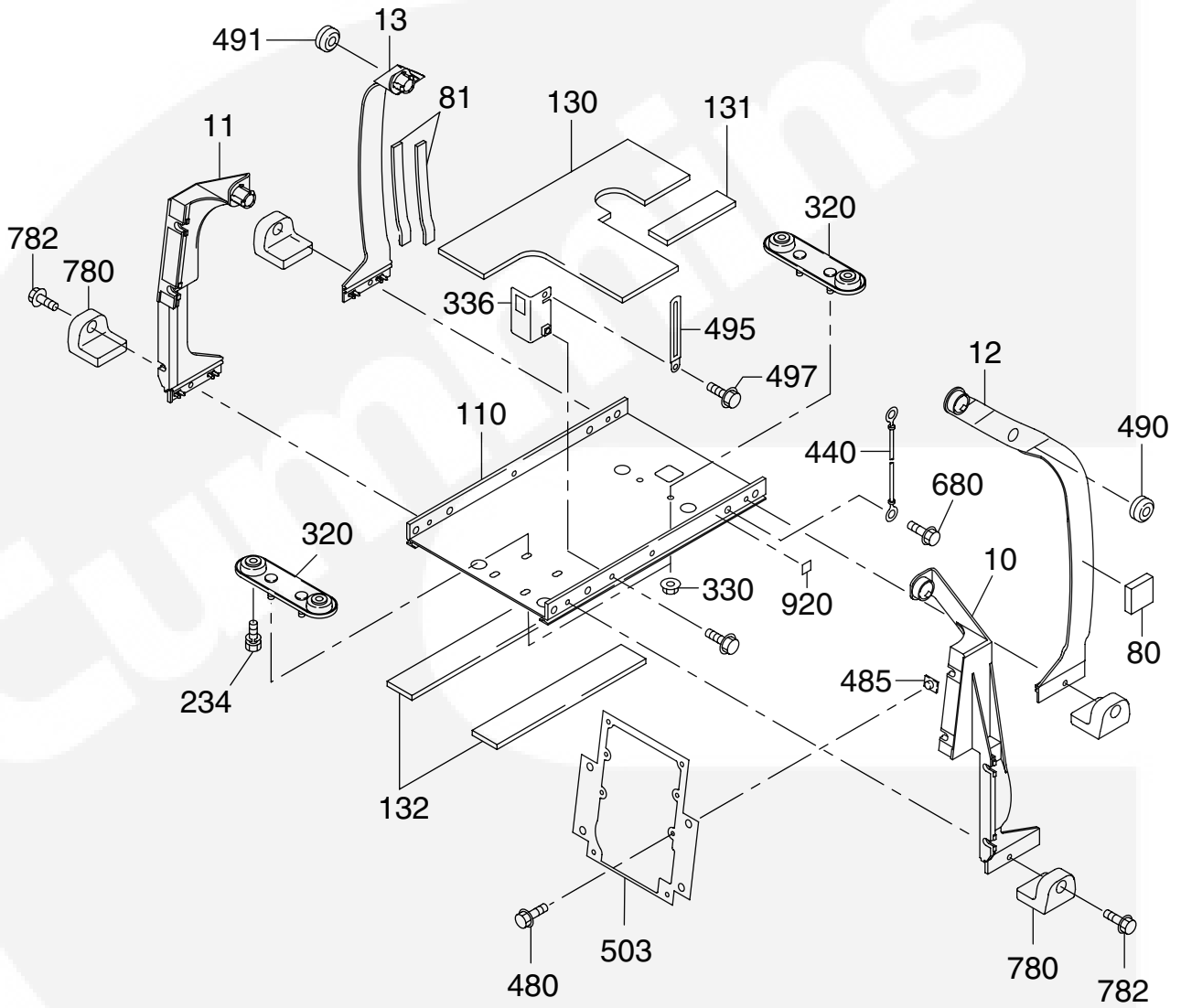
FIG. 2200



22 GENERATOR

REF.	PART NUMBER	PART NAME	QTY	R E M A R K S	CODE NO.	INTERCHANGE P/NO.	UNIT P	FIG.
210	34K-21051-01	STATOR CP	1		-			2200
214	34K-20902-08	FLANGE BOLT	2		-			2200
220	34K-20061-01	ROTOR CP	1		-			2200
225	001-04061-20	FLANGE BOLT	3	M6X1. 0X13DX12L	-			2200
260	34K-20901-08	REAR COVER	1		-			2200
264	011-00601-01	FLANGE BOLT	3	M6X1. 0X13DX28L	-			2200
302	KU5-12005-01	INV&E/G C/U CP (P5)	1		-			2200
310	011-00601-40	FLANGE BOLT	4	M6X1. 0X14DX18L	-			2200
360	34K-20903-08	RECTIFIER	1		-			2200
362	34K-20904-08	SCREW	1		-			2200
440	34K-42003-01	EARTH WIRE CP	1		-			2200
495	34K-20906-08	CLAMP	1		-			2200
680	34K-20905-08	SCREW	1		-			2200
767	34K-20907-08	BAND	2		-			2200

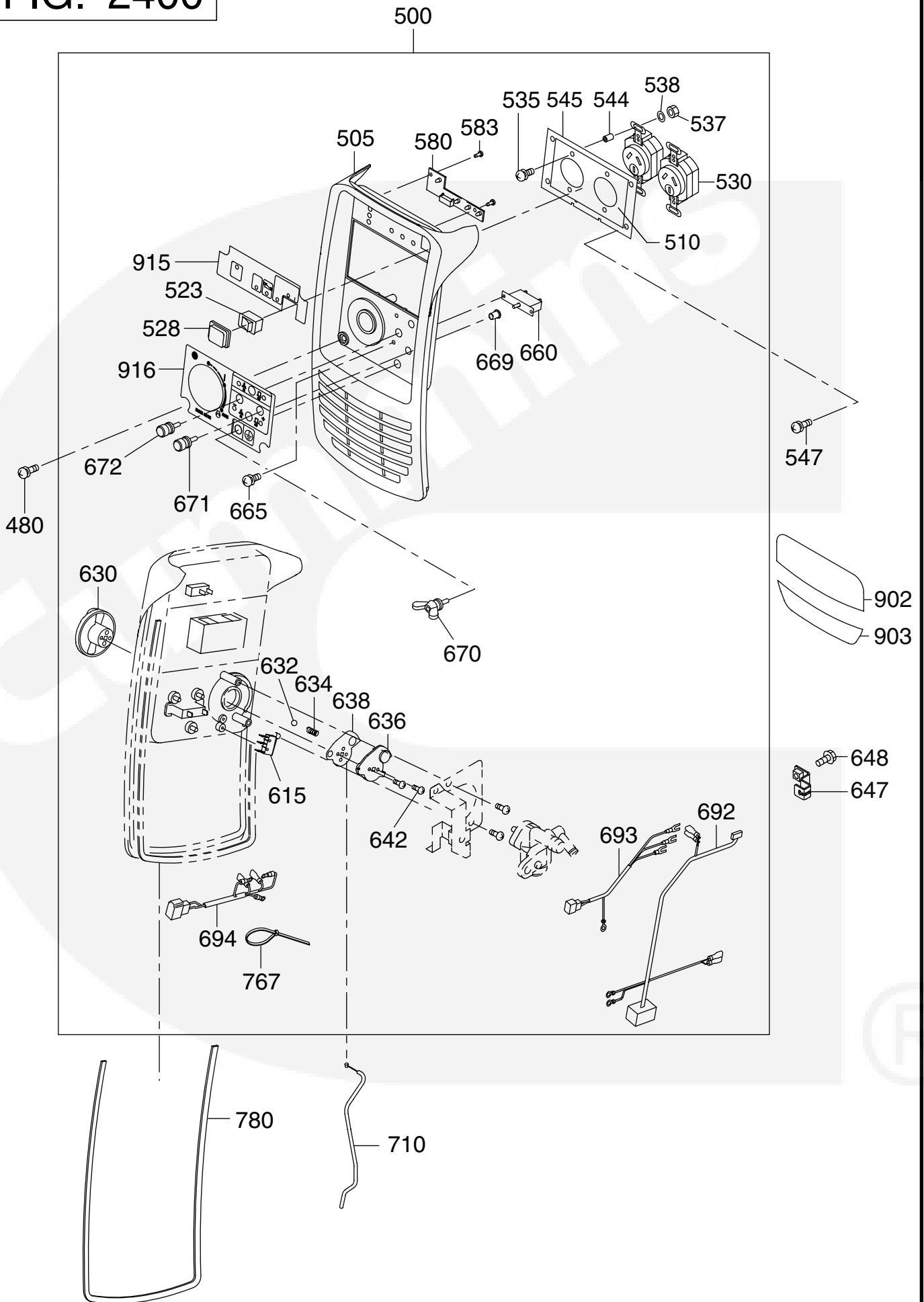
FIG. 2300



23 BASE, FRAME

REF.	PART NUMBER	PART NAME	QTY	R E M A R K S	CODE NO.	INTERCHANGE P/NO.	UNIT P	FIG.
10	33K-37101-03	FRONT FRAME (R)	1		-			2300
11	33K-37201-03	FRONT FRAME (L)	1		-			2300
12	33K-37301-03	REAR FRAME (R)	1		-			2300
13	33K-37401-03	REAR FRAME (L)	1		-			2300
80	33K-58413-03	SPONGE R-FRAME	1		-			2300
81	33K-58414-03	SPONGE R-FRAME 2	2		-			2300
110	34K-30602-13	BASE INV	1		-			2300
130	33K-58310-03	SPONGE BASE	1		-			2300
131	33K-58311-03	SPONGE BASE 2	1		-			2300
132	33K-58320-03	SPONGE BASE 3	2		-			2300
234	001-14082-00	BOLT AND WASHER AY	4	M8X1. 25X20L W/W, SW	-			2300
320	33K-30101-01	MOUNT BASE CP	2		-			2300
330	002-38060-00	FLANGE NUT	4	M6X1. 0X13DX6H	-			2300
336	33K-43020-03	BRACKET (SWITCH) CP	1		-			2300
440	34K-42004-01	EARTH WIRE CP	1		-			2300
480	011-00600-20	FLANGE BOLT	4	M6X1. 0X14DX12L	-			2300
485	33K-38001-03	NUT	8		-			2300
490	33K-38005-03	GROMMET (R-FRAME)	1		-			2300
491	33K-38005-03	GROMMET (R-FRAME)	1		-			2300
495	056-60002-50	CLAMP	1	6. 5DX10BX95LX0. 6T	-			2300
497	011-00600-20	FLANGE BOLT	2	M6X1. 0X14DX12L	-			2300
503	33K-37601-03	BACK PANEL CP	1		-			2300
680	011-00600-10	FLANGE BOLT	1	M6X1. 0X14DX8L	-			2300
780	33K-36101-01	MOUNT CP	4		-			2300
782	011-00601-80	FLANGE BOLT	4	M6X1. 0X14DX18L	-			2300
920	073-20026-51	LABEL (EARTH)	1	12X16	-			2300

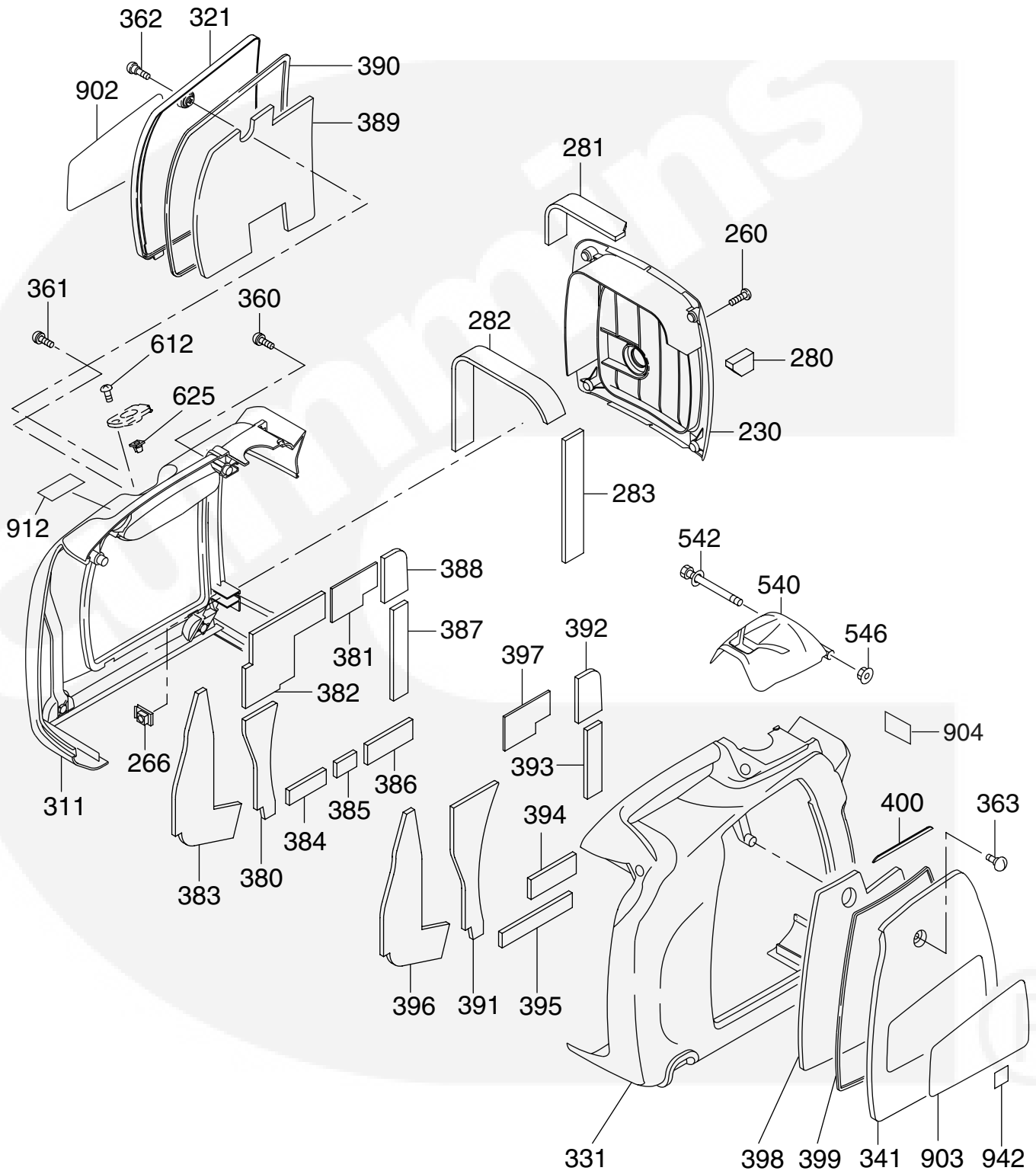
FIG. 2400



24 CONTROL

REF.	PART NUMBER	PART NAME	QTY	R E M A R K S	CODE NO.	INTERCHANGE P/NO.	UNIT P	FIG.
480	014-00501-00	SCREW	4		-			2400
500	34K-45071-10	CONTROL PANEL AY	1		-			2400
505	33K-40101-13	FRONT PANEL	1		-			2400
510	34K-41180-13	FILM CONCENT	1		-			2400
523	34K-41812-03	ROCKER SWITCH	1		-			2400
528	34K-41813-03	SWITCH COVER	1		-			2400
530	358-40613-08	AC CONCENT (AUSTRAL)	2		-			2400
535	013-10300-40	SCREW AND WASHER AY	4		-			2400
537	350-49912-08	NUT	4		-			2400
538	003-11040-00	WASHER	4		-			2400
544	350-40650-08	SPACER	4		-			2400
545	33K-40708-13	CONCENT BRACKET	1		-			2400
547	013-10400-60	SCREW AND WASHER AY	4		-			2400
580	KD3-11001-11	LED INDICATOR CP	1		-			2400
583	015-00300-20	TAPPING SCREW	2		-			2400
615	33K-41811-03	MICRO SWITCH	1		-			2400
630	33K-42010-03	CONTROL DIAL	1		-			2400
632	33K-42071-03	BALL (DIAL)	1		-			2400
634	33K-42074-03	SPRING (DIAL)	1		-			2400
636	33K-42020-03	CHOKE REEL	1		-			2400
638	33K-42030-23	PLATE	1		-			2400
642	015-00400-70	TAPPING SCREW	2	M4X20L	-			2400
647	33K-42080-03	CHOKE BRACKET	1		-			2400
648	011-00600-10	FLANGE BOLT	1	M6X1.0X14DX8L	-			2400
660	33K-41833-03	CIRCUIT BREAKER	1	RED 10A	-			2400
665	013-10300-10	SCREW AND WASHER AY	2		-			2400
669	33K-41817-03	BREAKER CAP	1		-			2400
670	33K-42090-01	TERMINAL BOLT	1		-			2400
671	363-45701-08	TERMINAL BOLT	1	RED 20A	-			2400
672	363-45700-08	TERMINAL BOLT	1	BLACK 20A	-			2400
692	34K-41817-13	PANEL HARNESS	1		-			2400
693	34K-41820-03	CONCENT HARNESS	1		-			2400
694	34K-41816-13	DC OUT HARNESS	1		-			2400
710	33K-42060-21	CHOKE WIRE CP	1		-			2400
767	056-30000-20	WIRE BAND	2	2.5BX1.2TX100L	-			2400
780	33K-58411-03	SEAL SPONGE F	1		-			2400
902	34K-92120-03	LABEL (FRONT) INV	1		-			2400
903	34K-95109-03	LABEL (FRONT) 2	1		-			2400
915	34K-40303-03	FILM INV 1	1		-			2400
916	34K-40403-03	FILM INV 2	1		-			2400

FIG. 2500



25 COVER

REF.	PART NUMBER	PART NAME	QTY	R E M A R K S	CODE NO.	INTERCHANGE P/NO.	UNIT P	FIG.
230	33K-50201-03	REAR COVER	1	BLACK	-			2500
260	013-10600-30	SCREW AND WASHER AY	4		-			2500
266	33K-50205-01	NUT CP	4		-			2500
280	33K-58318-13	R-COVER SPONGE 1	2		-			2500
281	33K-58319-13	R-COVER SPONGE 2	1		-			2500
282	33K-58322-03	R-COVER SPONGE 3	1		-			2500
283	33K-58324-03	R-COVER SPONGE 4	1		-			2500
311	33K-53301-13	CASE BODY L	1	RED	-			2500
321	33K-53311-03	SIDE PANEL L	1	RED	-			2500
331	33K-53401-13	CASE BODY R	1	RED	-			2500
341	33K-53411-03	SIDE PANEL R	1	RED	-			2500
360	004-36062-50	SCREW AND WASHER AY	2	M6X1. 0X25L W/W, SW	-			2500
361	004-36062-00	SCREW AND WASHER AY	1	M6X1. 0X20L W/W, SW	-			2500
362	33K-50501-03	BOLT (PANEL)	1		-			2500
363	33K-50501-03	BOLT (PANEL)	1		-			2500
380	33K-58301-03	SPONGE CASE L	1		-			2500
381	33K-58307-03	SPONGE CASE L 5	1		-			2500
382	33K-58305-13	SPONGE CASE L 3	1		-			2500
383	33K-58304-03	SPONGE CASE L 2	1		-			2500
384	33K-58308-03	SPONGE CASE L 6	1		-			2500
385	33K-58309-03	SPONGE CASE L 7	1		-			2500
386	33K-58408-03	SPONGE CASE R 6	1		-			2500
387	33K-58409-03	SPONGE CASE R 7	1		-			2500
388	33K-58306-03	SPONGE CASE L 4	1		-			2500
389	33K-58302-03	SPONGE PANEL L	1		-			2500
390	33K-58303-03	SEAL SPONGE L	1		-			2500
391	33K-58401-03	SPONGE CASE R	1		-			2500
392	33K-58406-03	SPONGE CASE R 4	1		-			2500
393	33K-58409-03	SPONGE CASE R 7	1		-			2500
394	33K-58408-03	SPONGE CASE R 6	1		-			2500
395	33K-58407-03	SPONGE CASE R 5	1		-			2500
396	33K-58404-03	SPONGE CASE R 2	1		-			2500
397	33K-58405-13	SPONGE CASE R 3	1		-			2500
398	33K-58402-03	SPONGE PANEL R	1		-			2500
399	33K-58403-03	SEAL SPONGE R	1		-			2500
400	33K-58410-03	SEAL SPONGE R 2	1		-			2500
540	33K-55001-13	TANK CAP COVER	1		-			2500
542	013-10400-91	SCREW AND WASHER AY	1		-			2500
546	018-00400-00	FLANGE NUT	1		-			2500
612	015-00400-90	TAPPING SCREW	1	M4X12L	-			2500

FIG. 2500

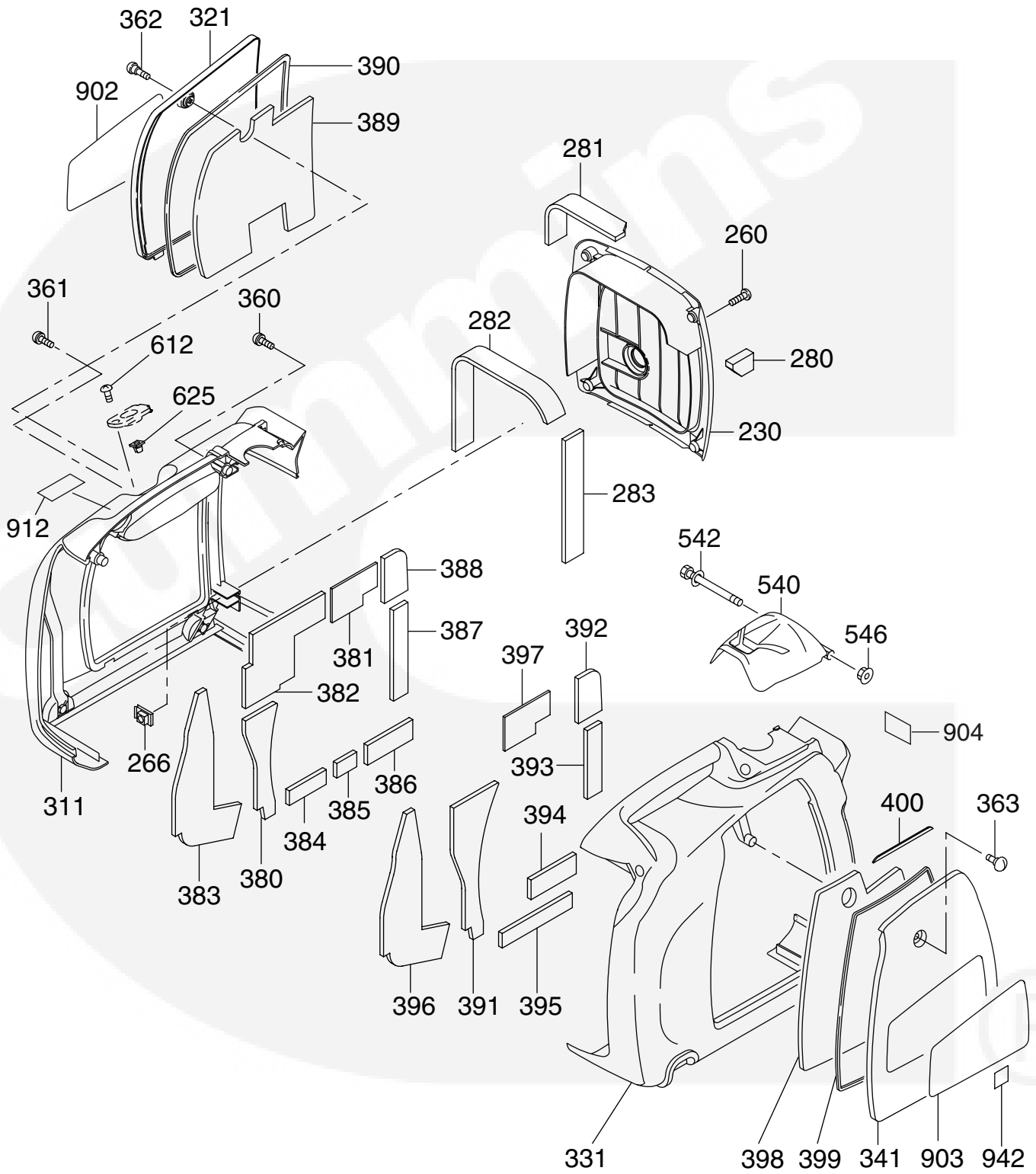
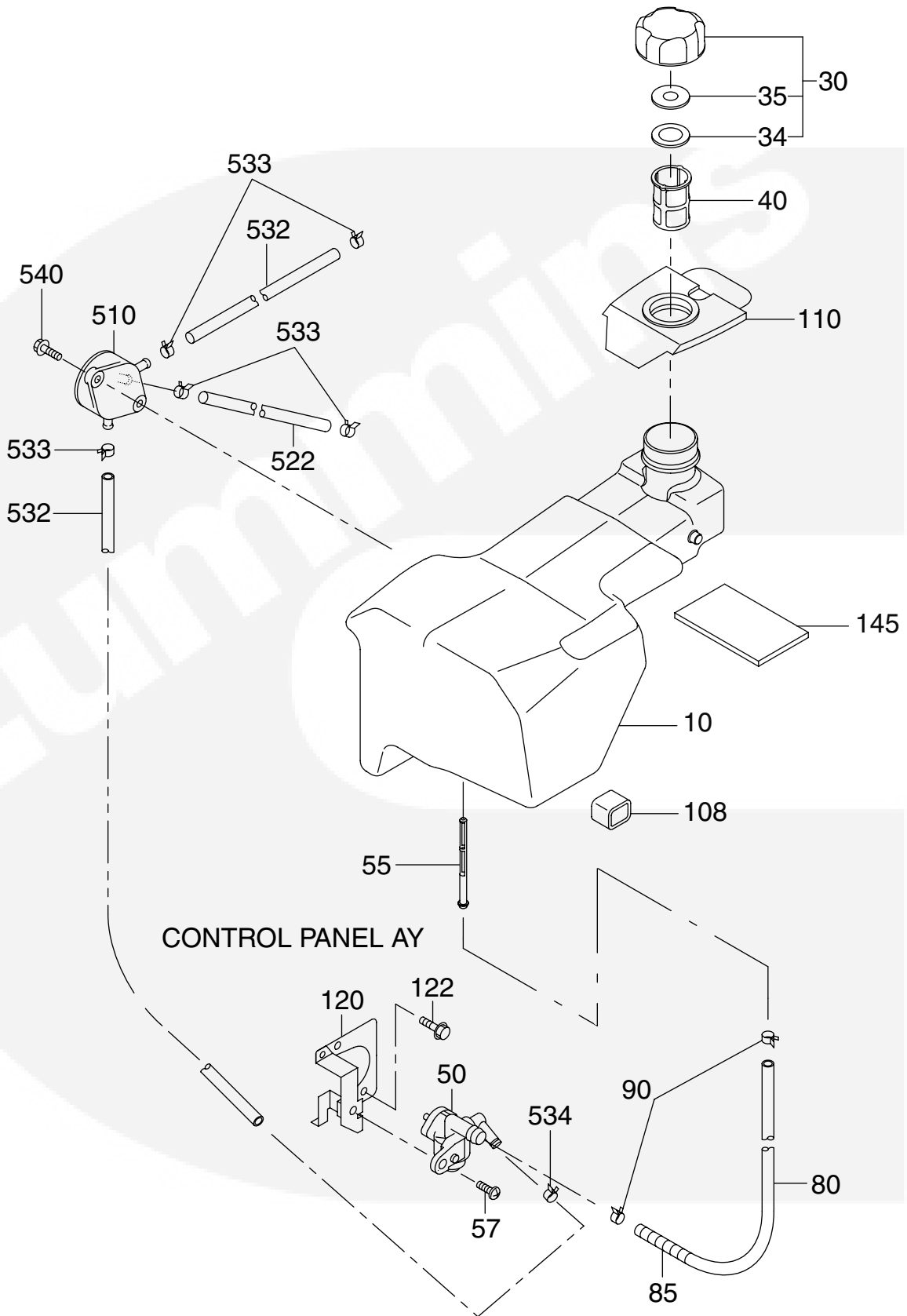


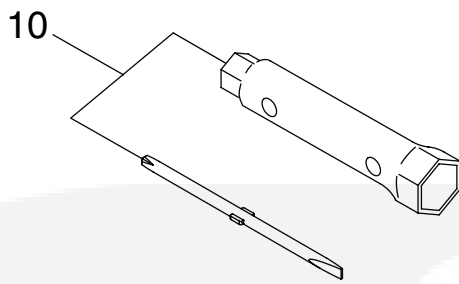
FIG. 2600



26 FUEL TANK

REF.	PART NUMBER	PART NAME	QTY	R E M A R K S	CODE NO.	INTERCHANGE P/NO.	UNIT P	FIG.
10	33K-61101-22	FUEL TANK UN	1		-			2600
30	33K-65010-00	FUEL TANK CAP AY	1		-			2600
34	021-02600-50	GASKET (TANK CAP)	1	T=1.5	-			2600
35	023-24200-12	PARTITION PLATE	1		-			2600
40	33K-61201-J1	FUEL FILTER CP	1		-			2600
50	064-20117-00	FUEL STRAINER AY	1		-			2600
55	33K-61402-01	FUEL STRAINER	1		-			2600
57	33K-41814-08	TAPPING SCREW	2		-			2600
80	33K-62270-13	RUBBER PIPE	1		-			2600
85	251-17302-03	MESH PROTECTOR	2		-			2600
90	056-11300-10	HOSE CLAMP	2	13. 2DX10BX0. 8T	-			2600
108	33K-64101-03	TANK MOUNT	2		-			2600
110	33K-64001-13	NECK RUBBER	1		-			2600
120	33K-43010-03	BRACKET (COCK) CP	1		-			2600
122	011-00600-20	FLANGE BOLT	1	M6X1. 0X14DX12L	-			2600
145	33K-58412-13	TANK SPONGE	1		-			2600
510	33K-62201-00	FUEL PUMP CP	1		-			2600
522	085-10612-90	RUBBER PIPE	1	6DX11DX270L	-	085-19600-00		2600
532	085-10613-00	RUBBER PIPE	2	6DX11DX205L	-	085-19600-00		2600
533	056-11100-20	HOSE CLAMP	5	11. 5DX8BX0. 7T	-			2600
534	056-11000-30	HOSE CLAMP	1	10DX8BX1T	-			2600
540	015-00600-20	TAPPING SCREW	2		-			2600

FIG. 2900



NOTES



NOTES



NOTES



Cummins

Cummins **Onan**

Cummins Power Generation

1400 73rd Ave. NE
Minneapolis, MN 55432 USA

Phone 1 763 574 5000

Toll-free 1 800 888 6626

Fax 1 763 574 5298

Email www.cumminsonan.com/contact

www.cumminsonan.com

Cummins®, Onan®, the "C" logo, and "Performance you rely on." are trademarks of Cummins Inc.

©2008 Cummins Power Generation, Inc. All rights reserved.

