



Parts Manual

Performance you rely on.™



50 Hz Commercial Portable Generator Set

EGMBL / PX4800
EGMBL / PX4800e



**For Parts Ordering and Technical Support
Please Contact**

**Cummins
50 – 52 Diagonal Road
Pooraka
South Australia 5082**

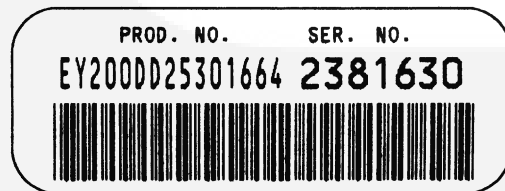
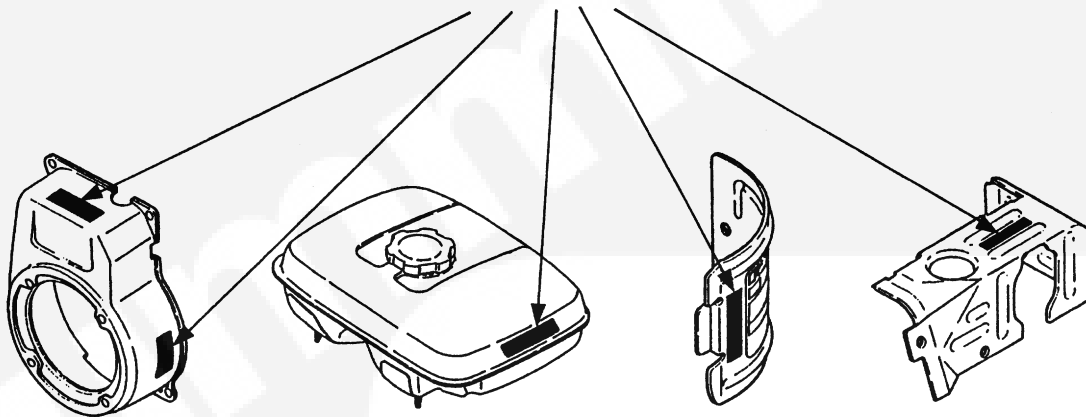
**Parts phone: 08 8368 4358
Service phone: 08 8368 4308**

HOW TO USE THIS MANUAL

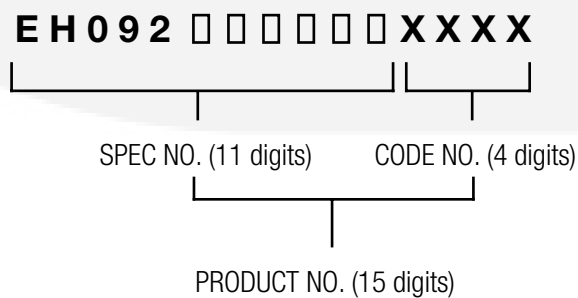
Robin engines are identified by MODEL, SPECIFICATION, and CODE NUMBER. For each model there may be many different versions called specifications. Each specification will be unique in some way. The difference may only be the paint color or it may have a different type of PTO or some other significant difference.

In order to identify the correct service part number, it is important to confirm the specification and code numbers for your engine. The specification and code number together are known as the PRODUCT NUMBER.

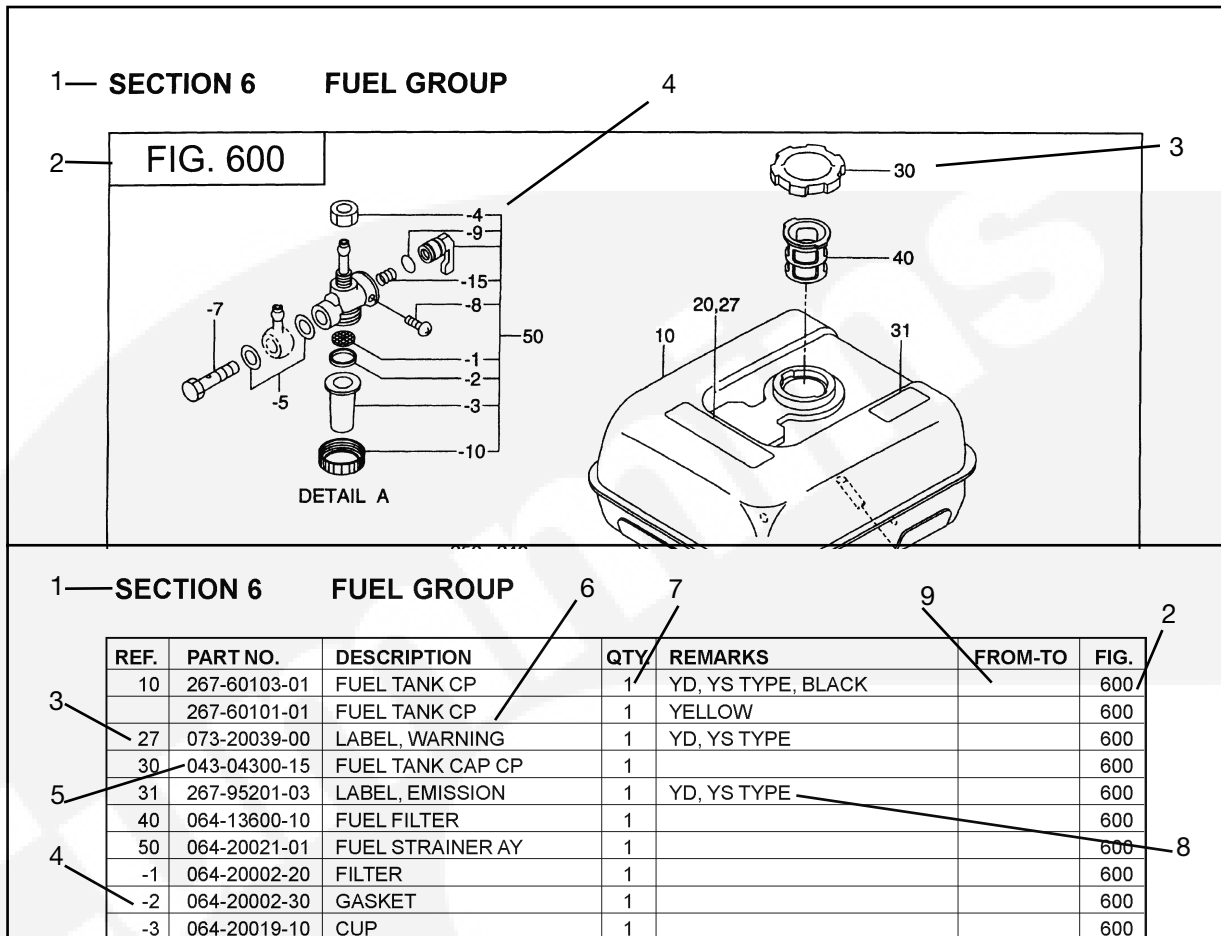
All Robin 4 cycle engines have a Product Number label similar to the label illustrated below.



The Product Number Label has a 15 digit alphanumeric string that consists of the SPECIFICATION (SPEC) number (11 digits) and the CODE number (4 digits). Please note the illustration below:



MANUAL LAYOUT



1. SECTION NAME Parts are broadly classified according to their functions. Refer to the Group Index (table of contents) for respective section name.
2. FIG. No. The FIG. number indexes the reference and part numbers to the illustration. Figure numbers that vary only in the tens place (i.e.: 700 and 710) are in a group of the same section (i.e.: Electrical Device Group).
3. REF. No. The Reference number identifies the part illustration with the corresponding part number in the part list.
4. SUBASSEMBLY SUBASSEMBLY parts of part assembly are listed below the assembly part. The subassembly part reference number is indicated by the number led by "-" such as "-1", "-2".
5. PART NUMBER It is the number assigned for sales unit. Use the PART No. when making an order.
6. DESCRIPTION It is designation of the part.
7. QTY. Quantity of each part used for each product.
8. REMARKS This gives a distinctive feature and/or a supplementary comment for the type, the specification, and the part concerned. It also shows part number(s) interchangeable for the part.
9. FROM-TO This section shows the CODE No. to indicate the history of progress in which improved parts have been introduced in the product. The FROM-TO CODE No. helps to identify PART No. being employed in the product concerned. See the examples below:
 - The part is used in the product irrespective of CODE No.
 - 2101- The part is used in the products with CODE No. of 2101 and after this number.
 - 2100 The part is used in the products with CODE No. of 2100 and before this number.

FOREWORD

This parts catalogue is compiled all service parts for Cummins model PX4800 & PX4800e. When modifications or additions to this parts catalogue are made, a revised edition will be issued at an appropriate time.

We recommend obtaining such revisions in order to keep your parts catalogue up-to-date at all times. To check whether a parts catalogue revision has been issued, please contact your Cummins distributor.

INDEX OF DESCRIPTION SYMBOLS	
SYMBOL	DESCRIPTION
AY	ASSEMBLY
CP	COMPLETE
EX	EXPORT (from Japan)
FIG.	FIGURE
FR.	FRONT
"	INCH
INCL.	INCLUDE
~L	LITRE
L=	LENGTH (in. mm)
L	LEFT-HAND SIDE
MECH	MECHANICAL
NO (NON)	NONE
OPT.	OPTIONAL
O.S.	OVER SIZE
N.	INLET
EX.	EXHAUST
HEX.	HEXAGONAL
P=	PITCH (in mm)
P.T.O. (PTO)	POWER TAKE OFF
REF.	REFERENCE
R	RIGHT HAND SIDE
RR	REAR
STD	STANDARD
SW	SWITCH
T=	THICKNESS (in mm)
UN	UNIT
U.S.	UNDER SIZE
~V	VOLTAGE
~W	WATT
W/	WITH
W/O	WITHOUT
A.C.	ALT CURRENT
D.C.	DIRECT CURRENT



GROUP INDEX

Group Name	Page
CRANK CASE.....	6
CRANKSHAFT, PISTON	8
INTAKE EXHAUST	10
GOVERNOR OPERATION	14
COOLING STARTING	16
FUEL LUBRICANT.....	20
ELECTRIC DEVICE.....	24
ACCESSORIES LABEL	32
ENGINE	34
GENERATOR.....	36
PIPE FRAME.....	38
CONTROL BOX.....	40
FUEL TANK.....	42



FIG. 100

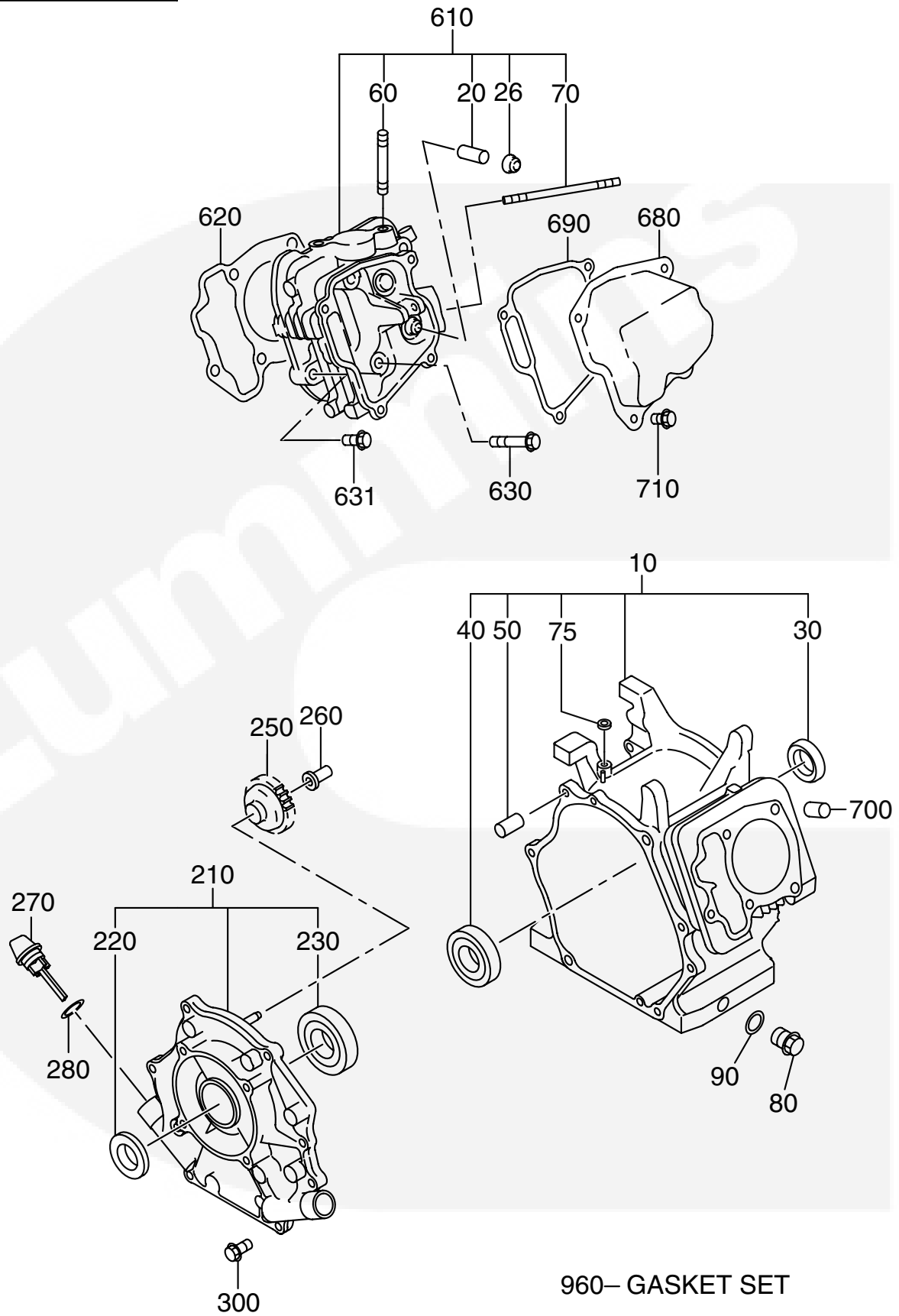


FIG. 200

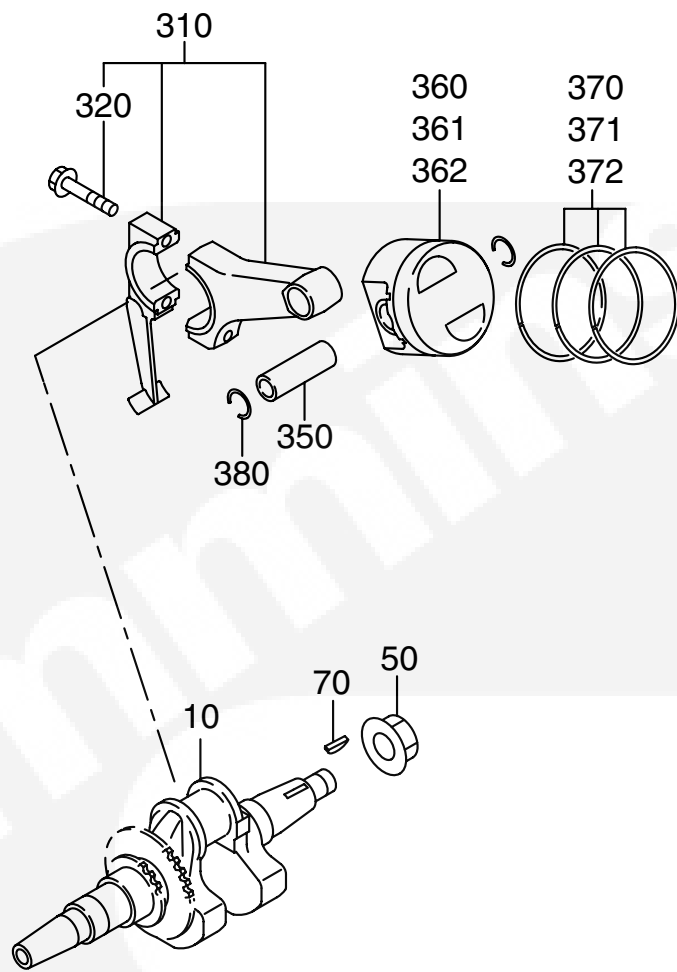
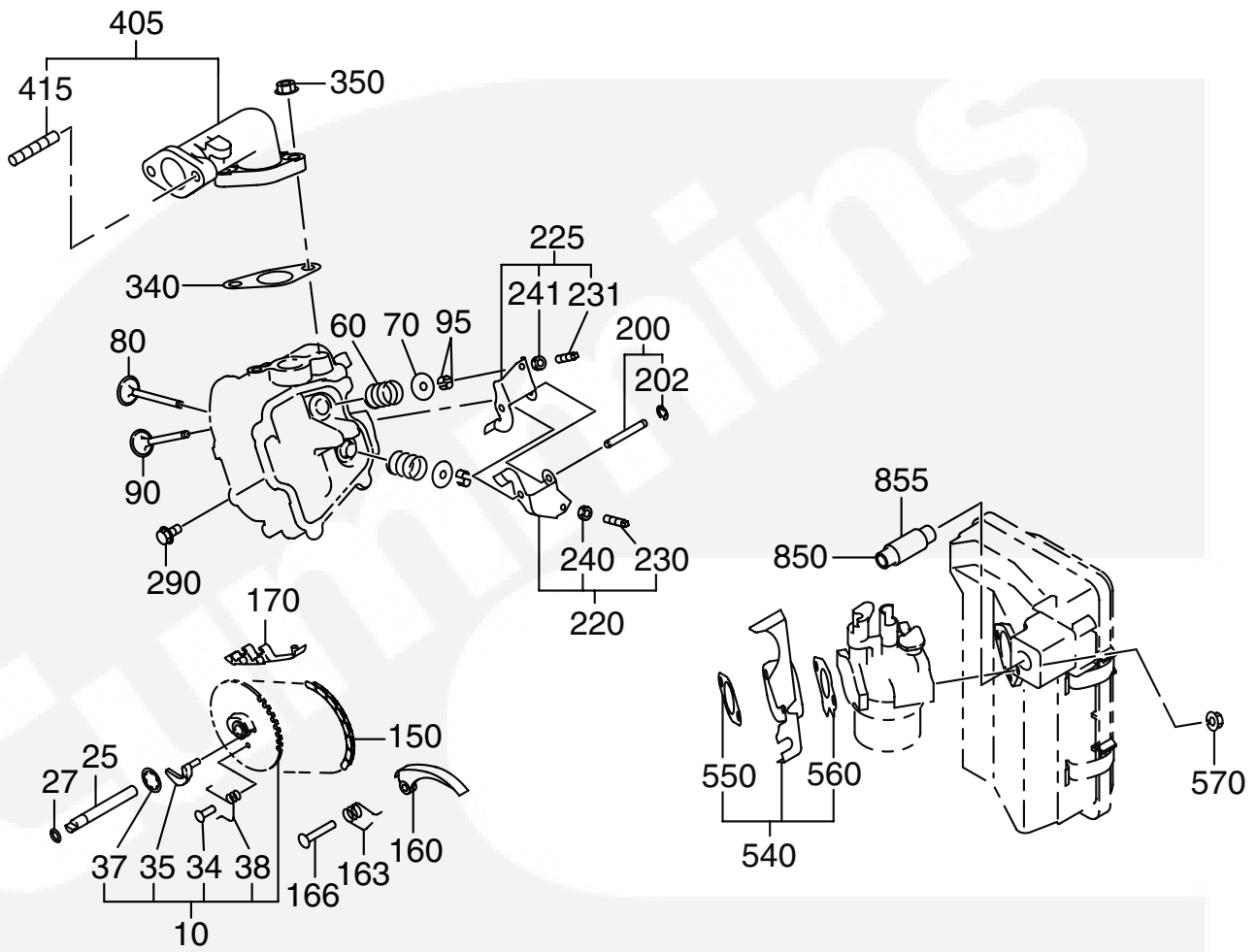


FIG. 300



3 INTAKE, EXHAUST

REF.	PART NUMBER	PART NAME	QTY	R E M A R K S	CODE NO.	INTERCHANGE P/NO.	UNIT P	FIG.
10	279-31602-11	CAM SHAFT CP	1	93DX2.9B N=44	-			300
25	277-35101-03	PIN(CAM SHAFT)	1	9DX78.5L	-			300
27	024-00600-10	O RING	1	5.8DX9.6D	-			300
34	277-38601-03	PIN(SPRING)	1	4DX8DX9L	-			300
35	279-36401-03	RELEASE LEVER	1		-			300
37	277-36501-03	CLIP	1	13.8DX20.3DX0.4T	-			300
38	279-38701-13	RETURN SPRING	1	5.3DX0.6DX5.5L N=5.7	-			300
60	279-33601-03	VALVE SPRING	2	19.2DX2.3DX27.4L	-			300
70	269-33701-03	SPRING RETAINER	2		-			300
80	279-33401-H3	INTAKE VALVE	1	28.5DX5.5DX67.8L	-			300
90	279-33501-H3	EXHAUST VALVE	1	26.5DX5.5DX67.8L	-			300
95	132-10KA0-31	COLLET-VALVE	4		-			300
150	279-35601-11	TIMING CHAIN CP	1	100 LINK	-			300
160	277-36911-03	TENTIONER	1		-			300
163	277-37101-03	SPRING(TENTIONER)	1	10DX1.8DX14L N=4.5	-			300
166	277-36902-03	PIN(TENTIONER)	1	6DX13DX34L	-			300
170	277-36913-13	CHAIN GUIDE	1		-			300
200	277-35002-01	PIN(ROCKER) CP	1	6DX46L	-			300
202	003-13050-00	CLIP	1	5DX11DX0.6T	-			300
220	277-36201-00	ROCKER ARM(IN) AY	1		-			300
225	277-36202-00	ROCKER ARM(EX) AY	1		-			300
230	014-90500-20	ADJUST SCREW	1	M5X0.5X23L	-			300
231	014-90500-20	ADJUST SCREW	1	M5X0.5X23L	-			300
240	017-00500-30	NUT	1	M5X0.5X4.1H	-			300
241	017-00500-30	NUT	1	M5X0.5X4.1H	-			300
290	011-00600-20	FLANGE BOLT	1	M6X1.0X14DX12L	-			300
340	277-35201-13	GASKET(MUFFLER)	1	T=0.2 26D 9DX58P	-			300
350	980-20082-80	FLANGE NUT	2		-			300
405	277-34001-01	EXHAUST PIPE CP	1		-			300
415	010-50802-90	STUD	2	M8X1.25X30L	-			300
540	279-32902-J1	INSULATOR CP	1	W/GASKET	-			300
550	279-35903-J3	GASKET2(INSULATOR)	1	T=0.5	-			300
560	279-35902-J3	GASKET1(INSULATOR)	1	T=0.5	-			300
570	002-38060-00	FLANGE NUT	2	M6X1.0X13DX6H	-			300
850	279-32760-08	RUBBER PIPE	1	8DX11DX115L	-	085-10800-00		300
855	279-69001-03	SPONGE PROTECTOR	1	13DX21D	-			300

FIG. 317

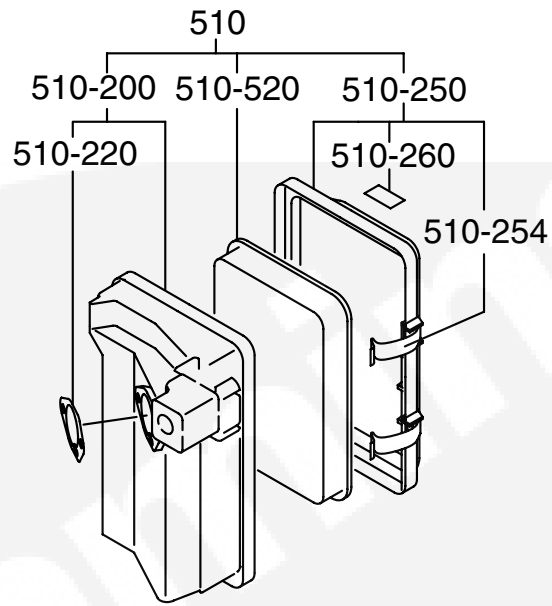


FIG. 400

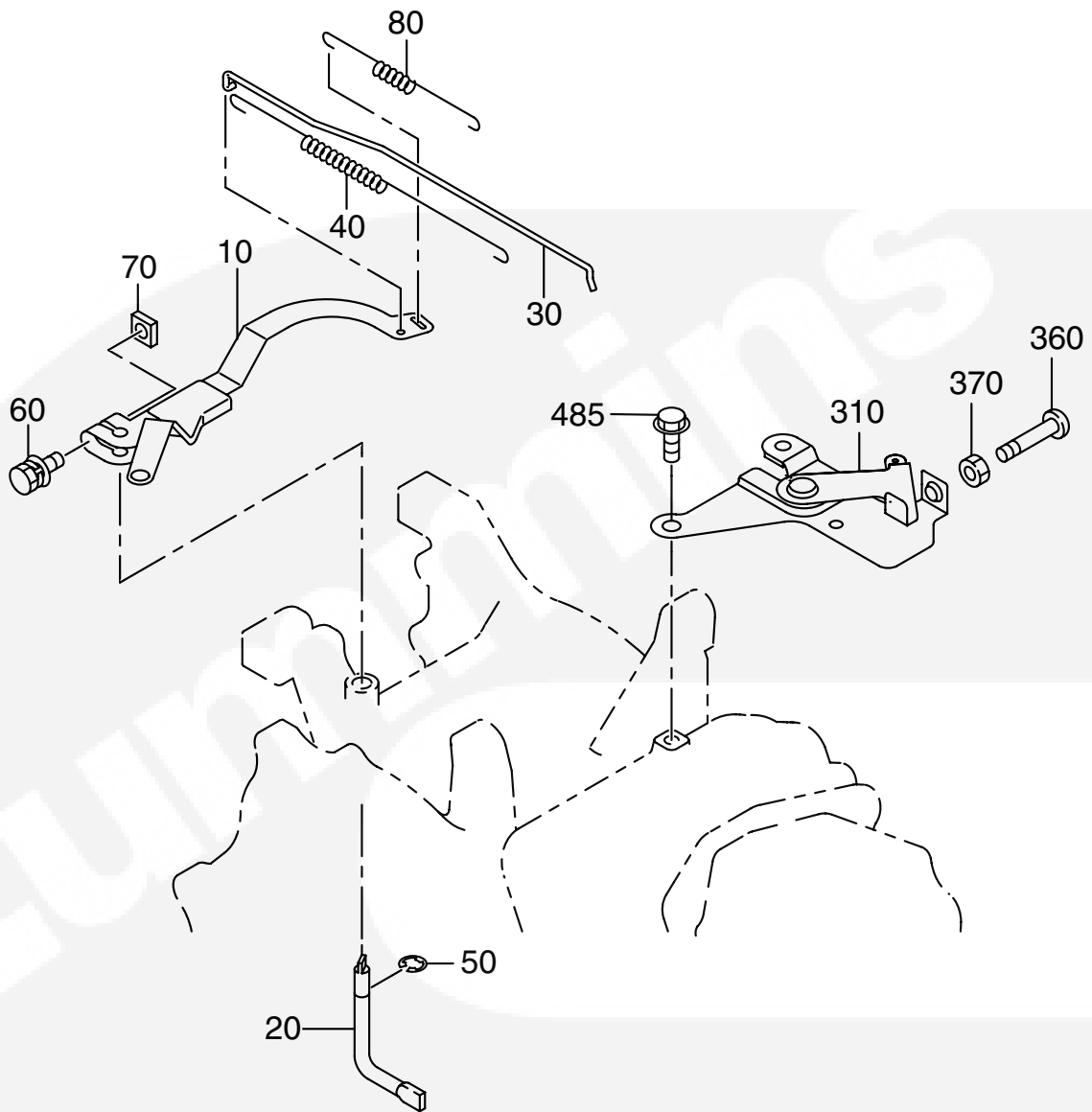


FIG. 500

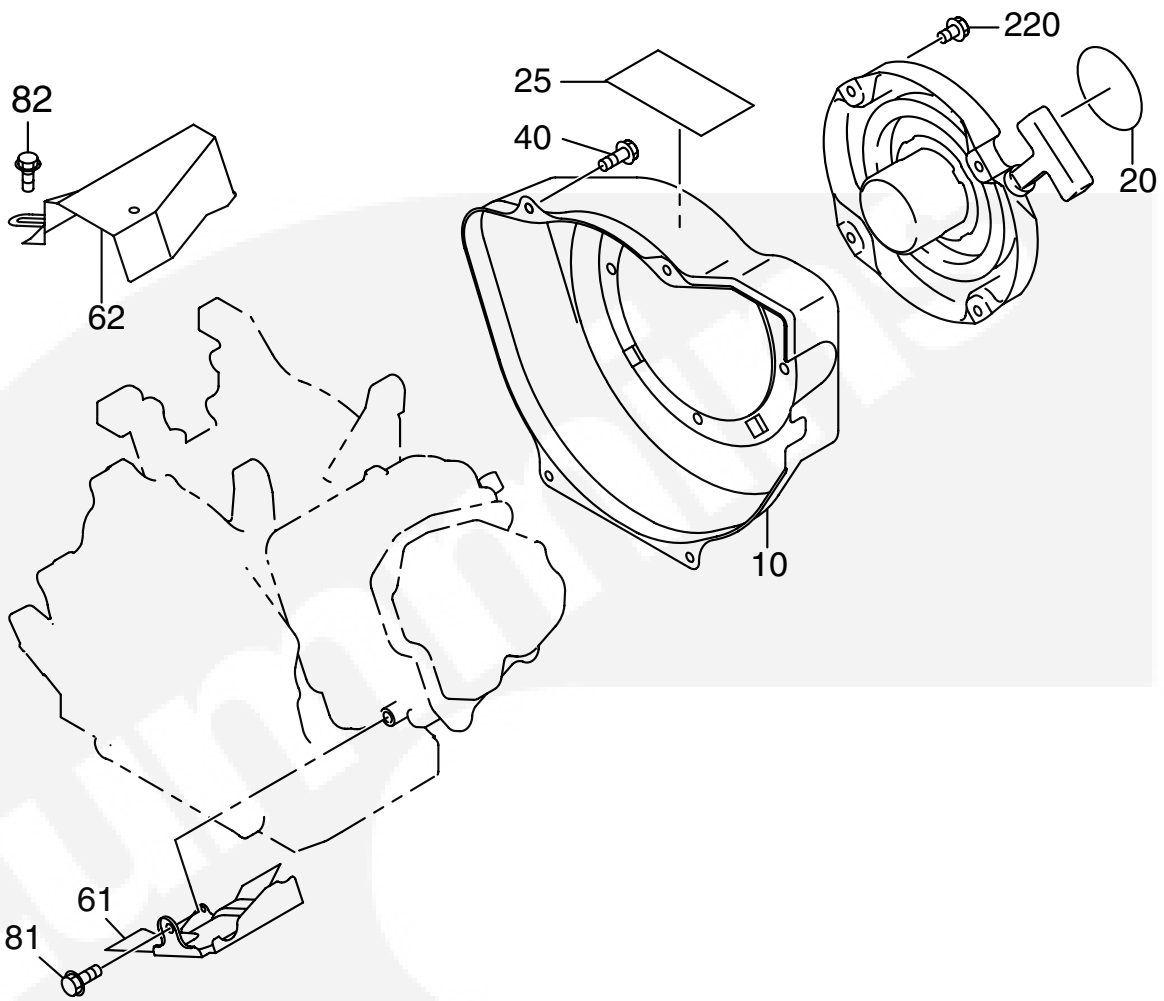


FIG. 520

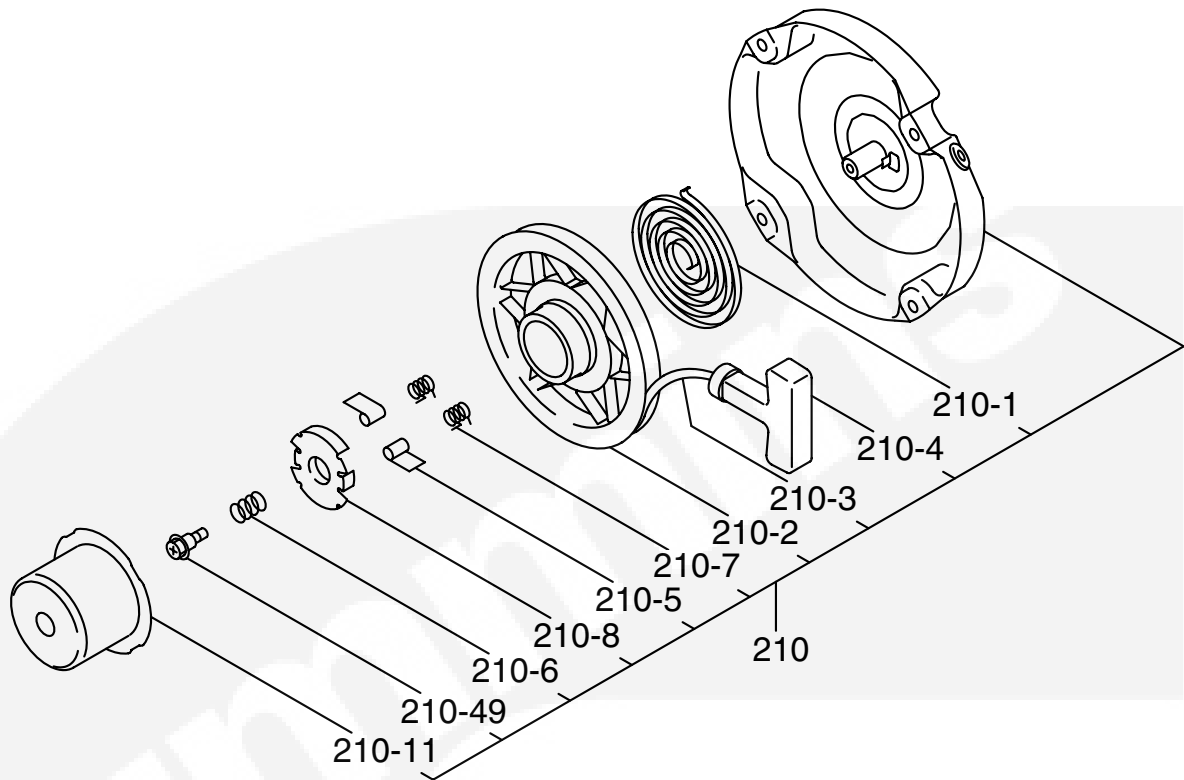


FIG. 600

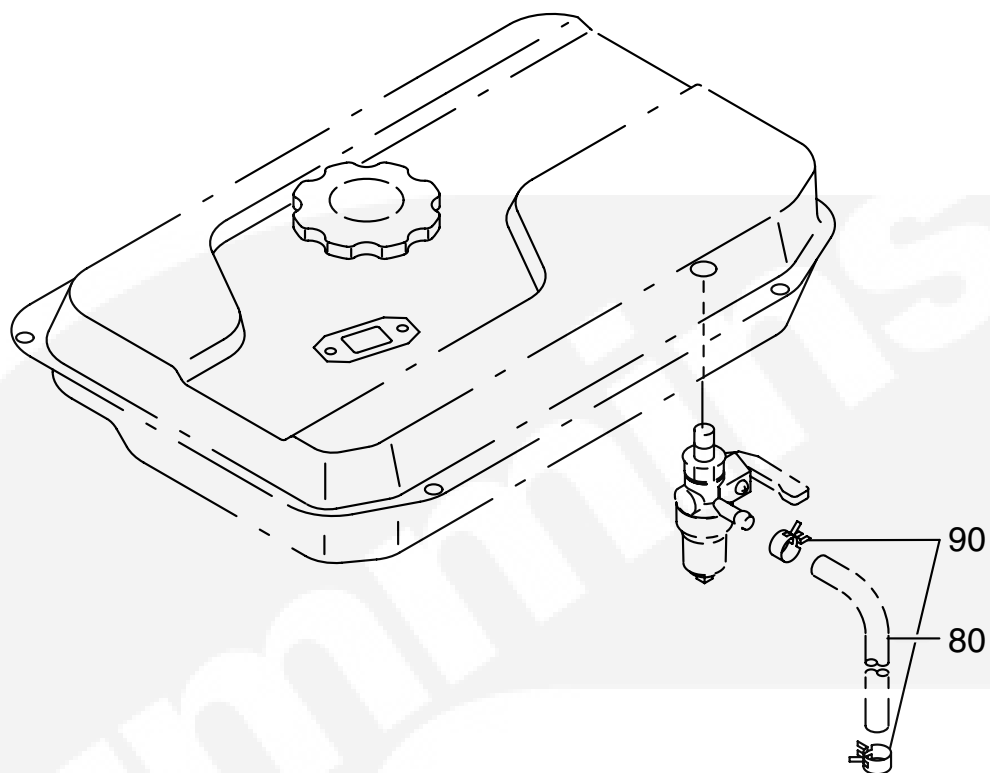


FIG. 640

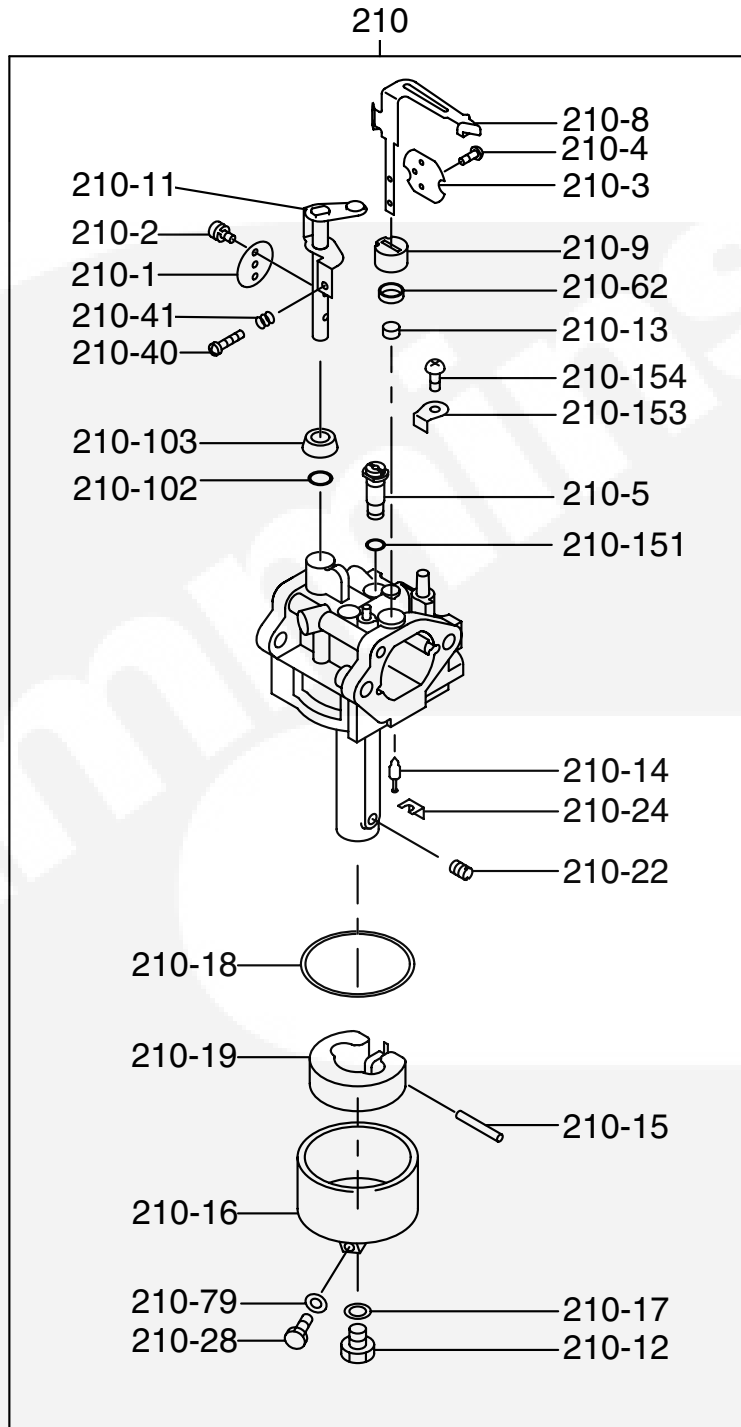


FIG. 700

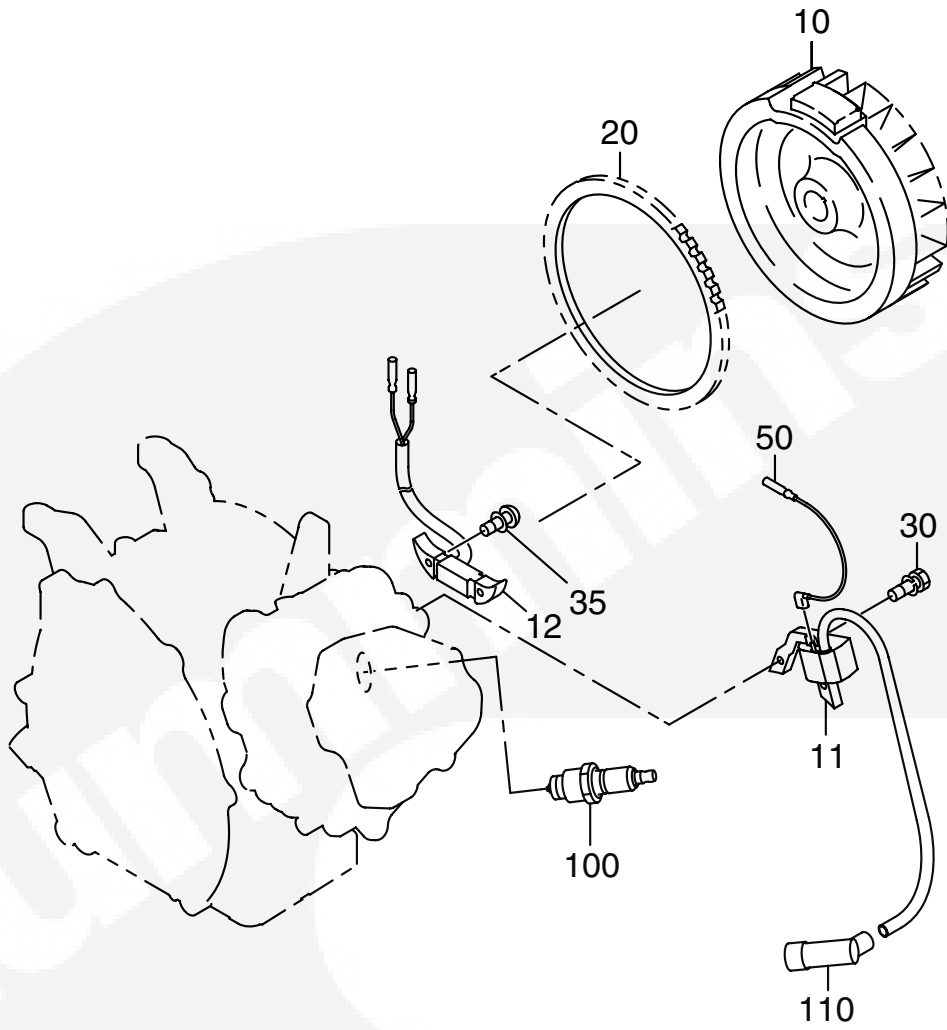


FIG. 720

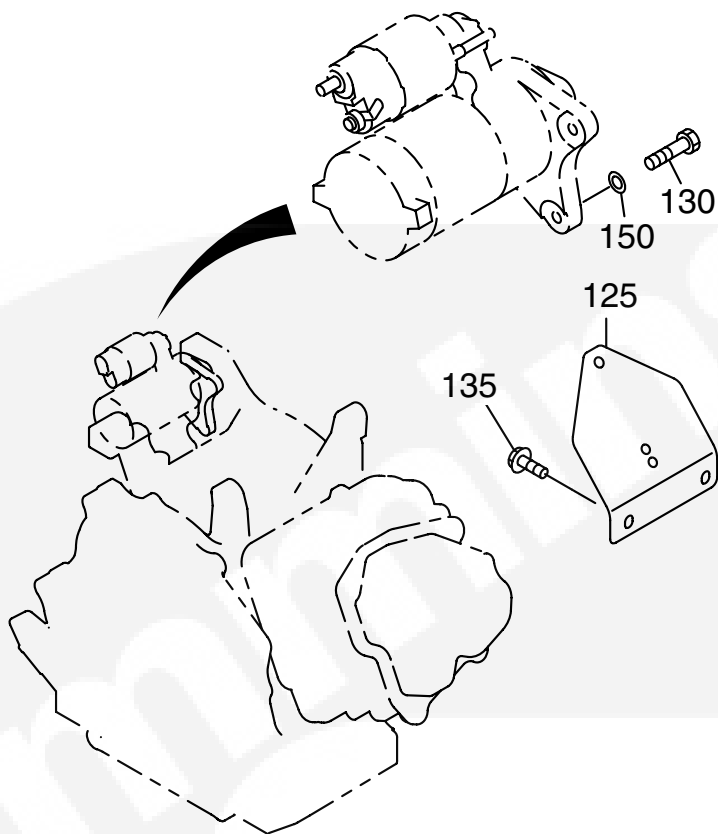


FIG. 730

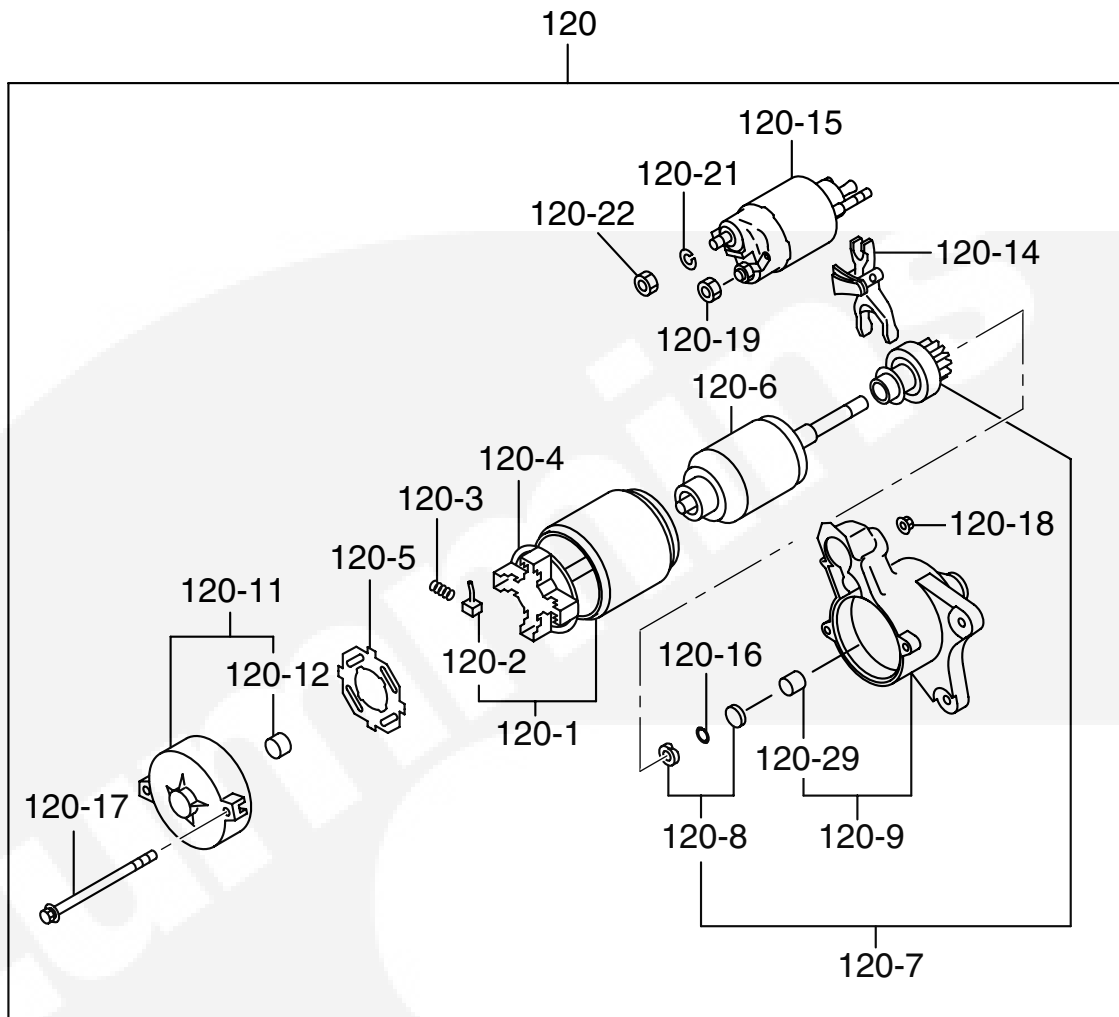


FIG. 770

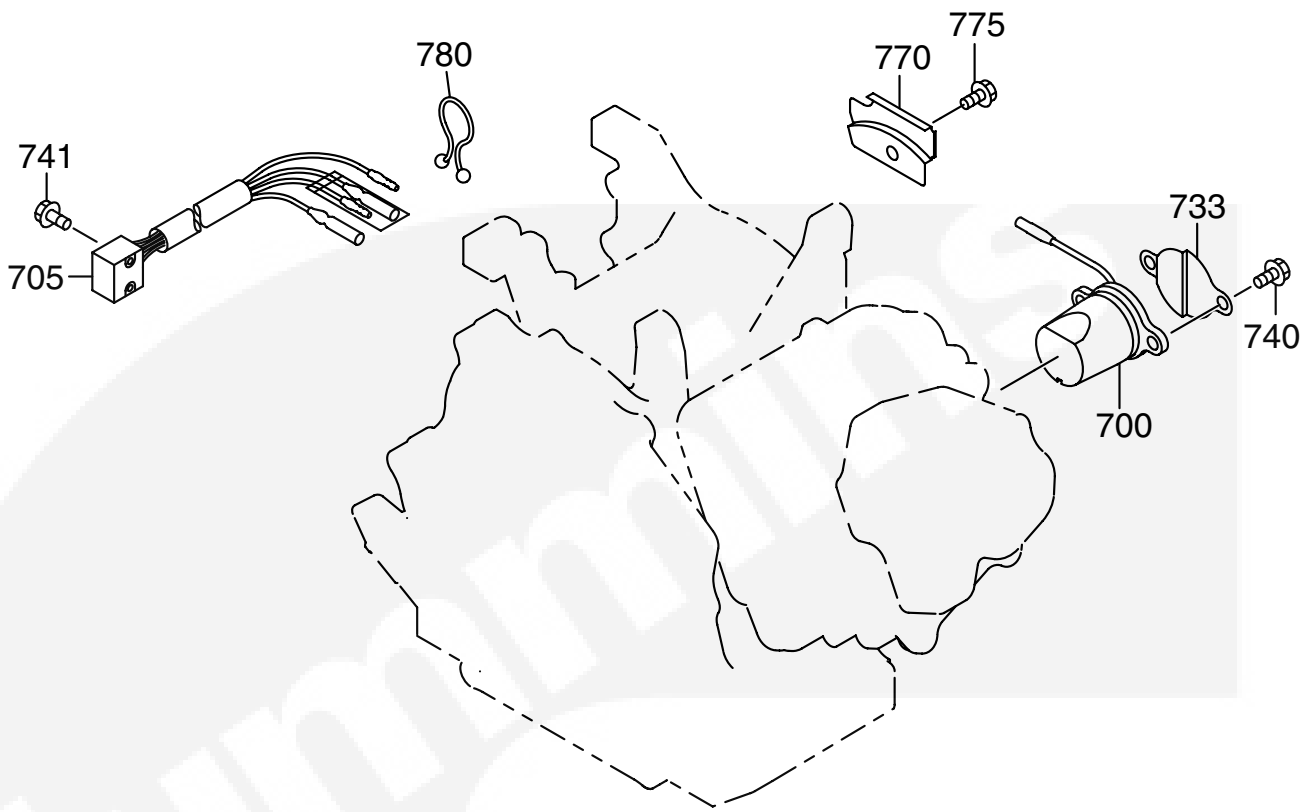


FIG. 900

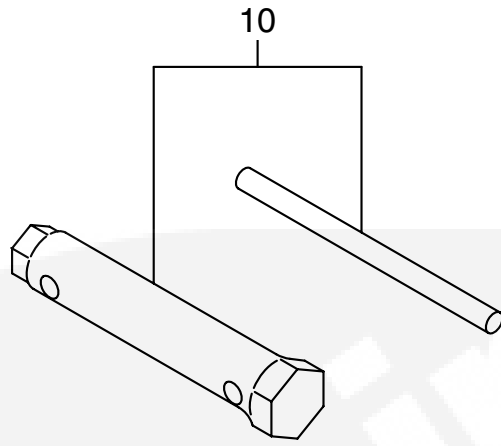


FIG. 2130

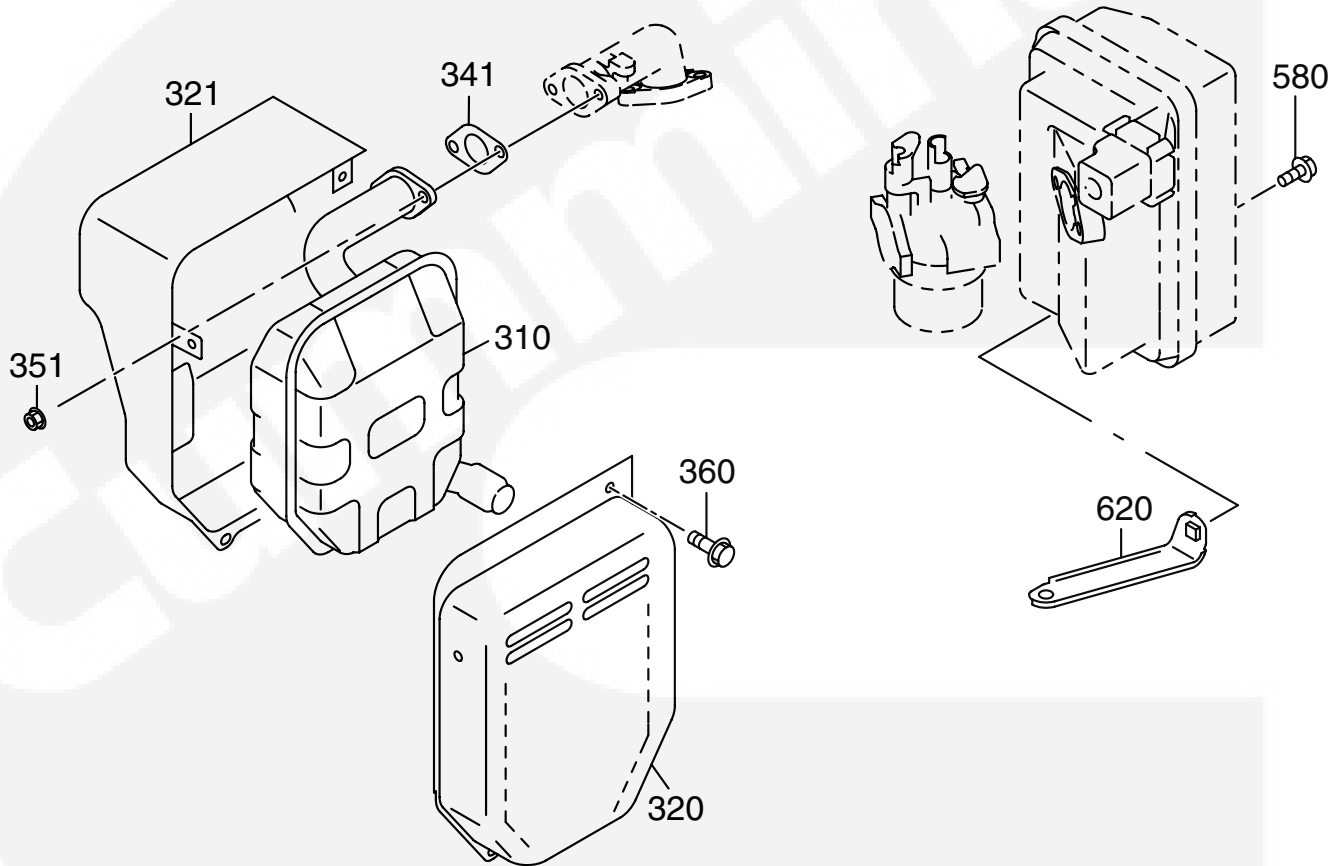


FIG. 2200

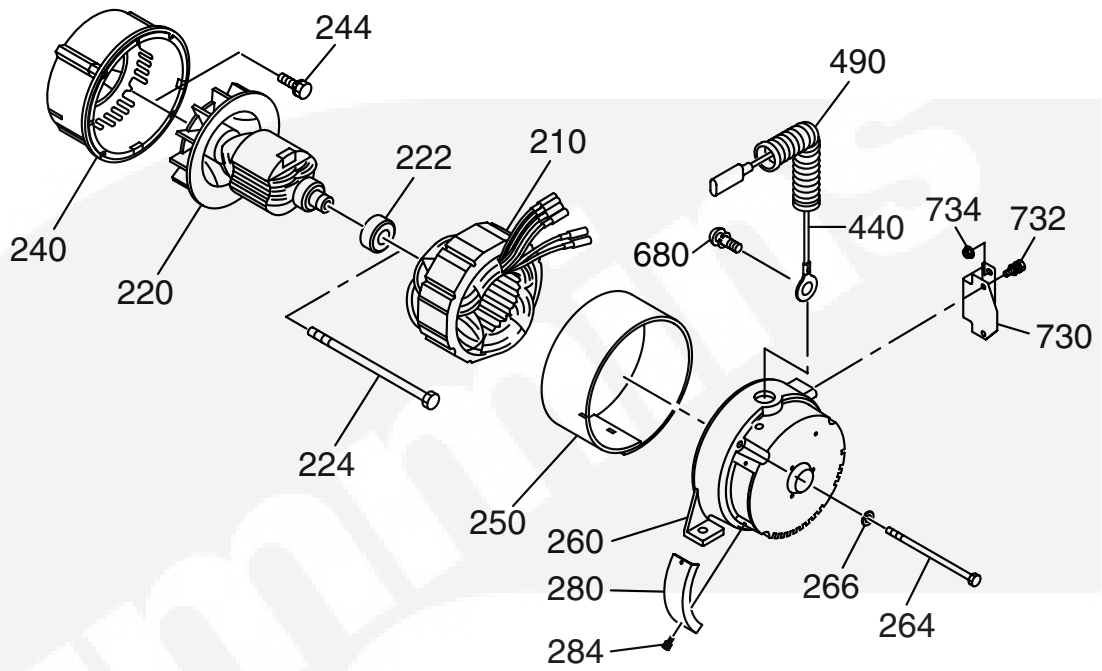


FIG. 2300

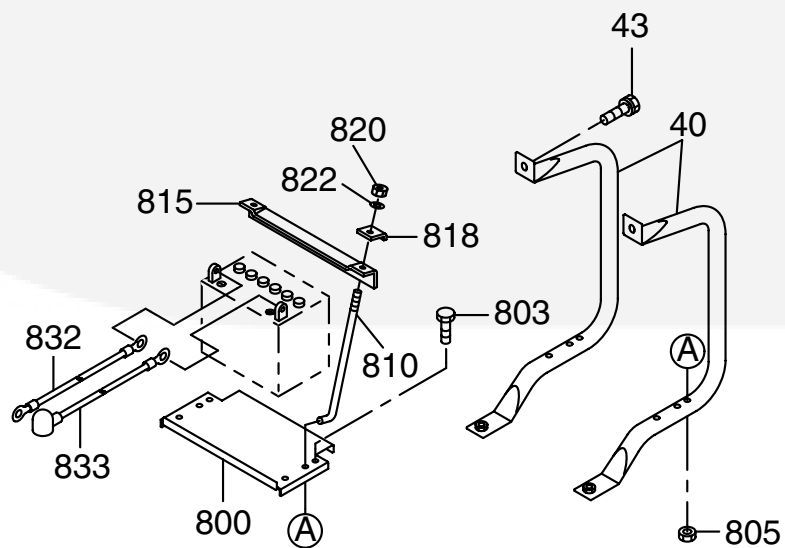
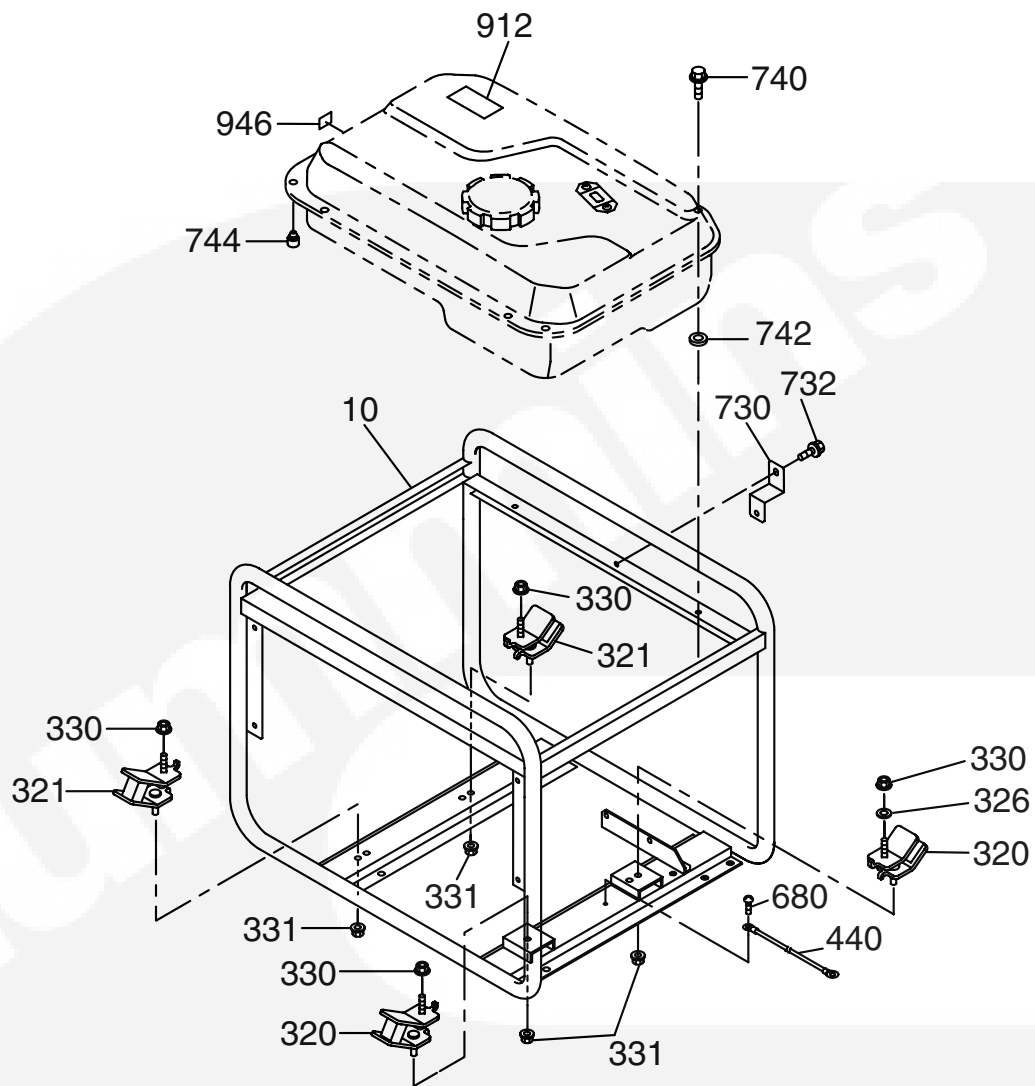
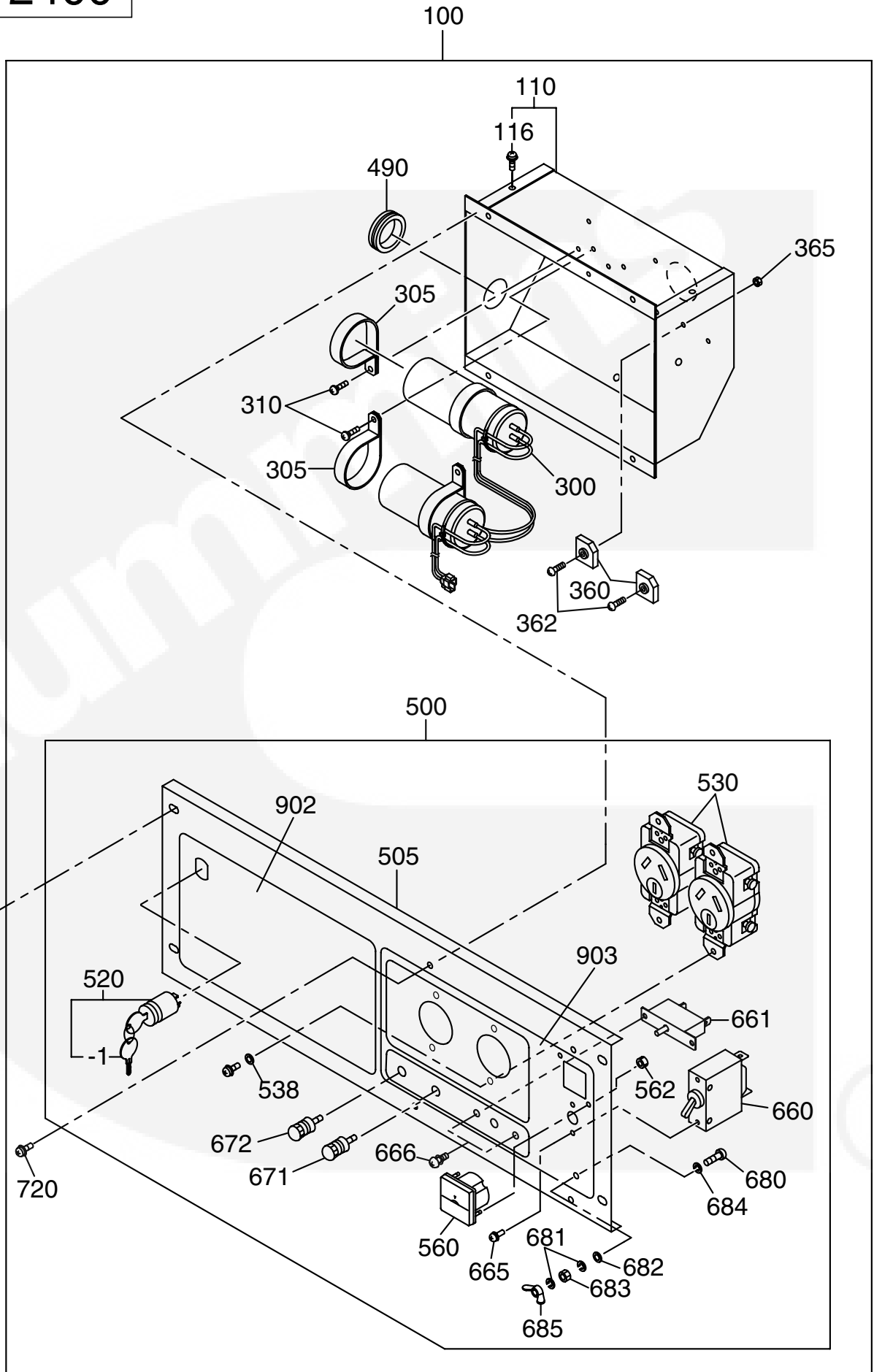


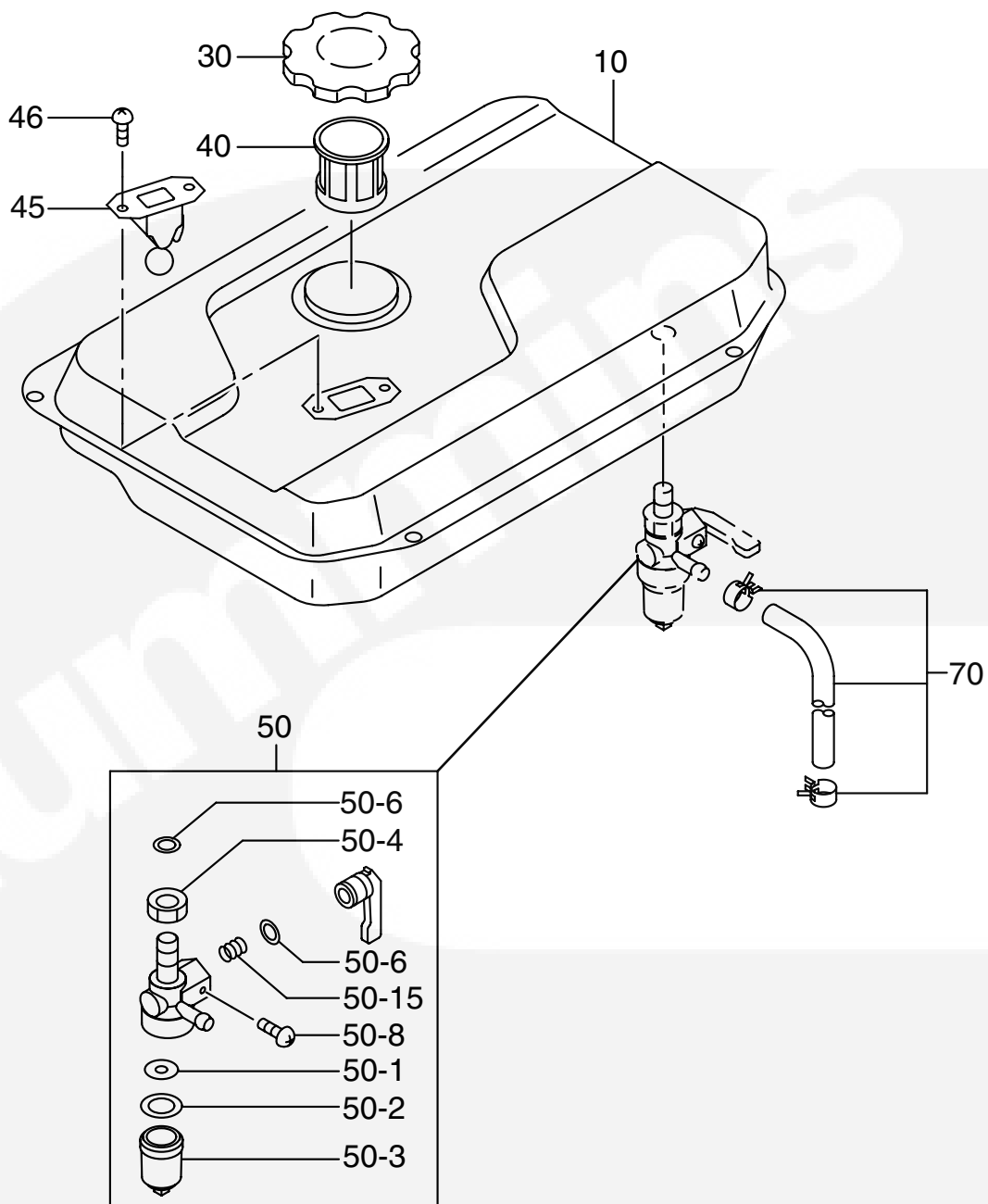
FIG. 2400



24 CONTROL BOX

REF.	PART NUMBER	PART NAME	QTY	R E M A R K S	CODE NO.	INTERCHANGE P/NO.	UNIT P	FIG.
100	35C-70117-00	CONTROL BOX AY	1		-			2400
110	35C-71101-02	CONTROL BOX UN	1		-			2400
116	359-59929-08	SCREW & WASHER AY	4		-			2400
300	35C-72001-03	CONDENSER CP	1		-			2400
305	30G-47605-08	CONDENSER HOLDER	4		-			2400
310	390-49972-08	SCREW	4		-			2400
360	353-45804-08	DIODE STACK AY	2		-			2400
362	004-36042-00	SCREW AND WASHER	2		-			2400
365	002-17040-00	NUT	2		-			2400
480	35C-72014-03	FLANGE BOLT	4		-			2400
490	389-89001-03	GROMMET	1		-			2400
500	35C-70217-00	PANEL A AY	1		-			2400
505	35C-71008-02	PANEL CP	1		-			2400
520	066-00003-30	SWITCH	1		-			2400
- 1	066-00099-80	KEY, SWITCH	2	MARK 103	-			2400
530	35B-72003-03	AC RECEPTACLE	2	125V/30A	-			2400
538	392-49981-08	WASHER	4		-			2400
560	391-47900-11	VOLT METER	1	200V CLASS	-			2400
562	388-49801-08	NUT	2		-			2400
660	31C-73004-03	NO FUSE BREAKER 15A	1		-			2400
661	352-45620-08	CIRCUIT PROTECTOR	1		-			2400
665	31B-79011-03	SCREW & WASHER AY	2		-			2400
666	351-49921-08	SCREW & WASHER AY	2		-			2400
671	363-45701-08	TERMINAL BOLT	1	RED 20A	-			2400
672	363-45700-08	TERMINAL BOLT	1	BLACK 20A	-			2400
680	356-49956-08	SCREW	1		-			2400
681	332-00050-08	SPRING WASHER	2		-			2400
682	353-49903-08	WASHER	1		-			2400
683	353-49902-08	NUT	1		-			2400
684	372-59950-08	LOCK WASHER	1		-			2400
685	353-49901-08	WING NUT	1		-			2400
720	31B-79012-03	BOLT AND WASHER AY	4		-			2400
902	35C-71217-02	LABEL (BRAND)	1		-			2400
903	35C-71207-02	LABEL (PANEL)	1		-			2400

FIG. 2600



NOTES



Cummins

Cummins **Onan**

Cummins Power Generation

1400 73rd Ave. NE
Minneapolis, MN 55432 USA

Phone 1 763 574 5000

Toll-free 1 800 888 6626

Fax 1 763 574 5298

Email www.cumminsonan.com/contact

www.cumminsonan.com

Cummins®, Onan®, the "C" logo, and "Performance you rely on." are trademarks of Cummins Inc.

©2008 Cummins Power Generation, Inc. All rights reserved.

