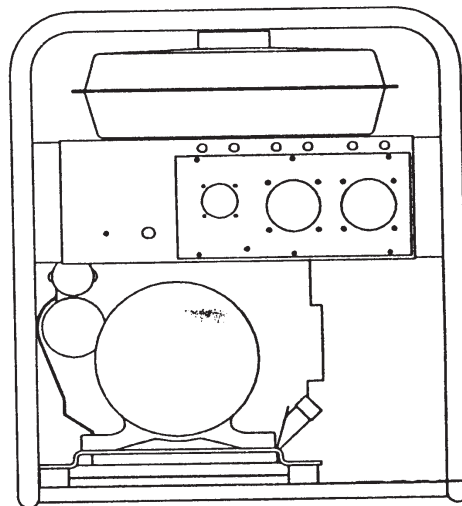


# Onan *Portable GenSets* Parts Manual

## EGP Generating Set



Printed in U.S.A.

919-0200  
10-98 (Spec B-C)

## MODEL IDENTIFICATION

To avoid errors or delay in filling your parts order, always give the MODEL, SPEC NO. and SERIAL NO. from the Onan nameplate.

For handy reference, insert your nameplate information in the spaces below.

\_\_\_\_\_  
MODEL AND SPEC NO.

\_\_\_\_\_  
SERIAL NO.

\_\_\_\_\_  
DIGITAL CONTROL SOFTWARE VERSION  
AND DATE (IF APPLICABLE)

## SAFETY PRECAUTIONS

The following symbols are used in Onan manuals to alert users to the potentially dangerous conditions relating to maintenance of equipment and replacement of parts. Please read and observe.



*This symbol warns of immediate hazards which will result in severe personal injury or death.*



*This symbol refers to a hazard or unsafe practice which can result in severe personal injury or death.*



*This symbol refers to a hazard or unsafe practice which can result in severe personal injury or product or property damage.*

## PRODUCT SAFETY PRECAUTIONS



***Service and repair of Onan equipment must be performed by trained, experienced personnel only. Improper service or repair may result in property damage, severe personal injury or death. Do not use this catalog as a guide to servicing your equipment. Read and follow the IMPORTANT SAFETY INSTRUCTIONS in the Service Manual appropriate for the equipment you are working on.***



***Contact with USED ENGINE OILS has been identified by a United States federal agency and some USA state agencies as causing CANCER or REPRODUCTIVE TOXICITY. When checking or changing engine oils take all necessary precautions not to ingest, breathe the fumes or contact the used oil.***



***Contact with ASBESTOS has been identified by a United States federal agency and some USA state agencies as causing CANCER or REPRODUCTIVE TOXICITY. When handling engine gaskets take all necessary precautions not to ingest, breathe or contact the dust from the gaskets! Use adequate ventilation and wear protective gloves, masks and clothing!***



***Contact with BENZINE and LEAD, found in gasoline, fuel additives and solvents has been identified by a United States federal agency and some USA state agencies as causing CANCER or REPRODUCTIVE TOXICITY. When checking, draining or adding gasoline and fuel additives or using solvents take all necessary precautions not to ingest, breathe the fumes or contact the liquids. Use adequate ventilation and wear protective gloves, masks and protective clothing!***

PSP-1

## Introduction

This manual applies to the Portable Generator Sets as listed in the Generator Set Data Table. Parts are arranged in groups of related items and each illustrated part is identified by a reference number corresponding to the same reference number in the parts list. Parts illustrations are typical. Using the model and specification number from your generator set nameplate, select parts that apply to your set. Right and left sides are determined by facing the engine end (front) of the set.

### Generator Set Data Table

MODEL AND SPECIFICATION	WATTS	RPM	VOLTS	HERTZ	WIRE	PHASE
1.7 EGP-AA/*	1700	3600	120	60	2	1
2.5EGP-AB/*	2500	3600	120	60	2	1
4.0EGP-AC/*	4000	3600	120/240	60	4	1
5.0EGP-AD/*	5000	3600	120/240	60	4	1
1.4EGP-AA/*	1400	3000	110/220	50	2	1
2.0EGP-AB/*	2000	3000	110/220	50	2	1
3,5EGP-AC/*	3500	3000	110/220	50	4	1
5.0EGP-AD/*	5000	3000	110/220	50	4	1

\* – The diagonal line (/) in the model and specification number separates generator set characteristics from the specification number and letter. The specification number denotes customer requested options or deviations from a standard model. The specification letter advances (A to B, B to C, etc.) with major manufacturing changes.

## Index

- Adapter, Generator (1.4/2.0), **5**
- Adapter, Generator (1.7), **7**
- Adapter, Generator (2.5), **9**
- Adapter, Generator (3.5), **11**
- Adapter, Generator (4.0), **13**
- Adapter, Generator (5.0, 50Hz), **17**
- Adapter, Generator (5.0, 60Hz), **15**
- Arrester, Spark (5.0, 50Hz), **16**
- Arrestor, Spark (1.4/2.0), **4**
- Arrestor, Spark (1.7), **6**
- Arrestor, Spark (2.5), **8**
- Arrestor, Spark (3.5), **10**
- Arrestor, Spark (4.0), **12**
- Arrestor, Spark (5.0, 60Hz), **14**
  
- Back, Control Box (1.4/2.0), **4**
- Back, Control Box (3.5), **10**
- Back, Control Box (5.0, 50Hz), **16**
- Back, Control Box (5.0, 60Hz), **14**
- Bearing, Ball (1.7), **7**
- Bearing, Ball (2.5), **9**
- Bearing, Ball (4.0), **13**
- Bearing, Ball (5.0, 60Hz), **15**
- Box, Control (4.0), **12**
- Bracket, Shockmount (1.4/2.0), **4**
- Bracket, Shockmount (1.7), **6**
- Bracket, Shockmount (2.5), **8**
- Bracket, Shockmount (3.5), **10**
- Bracket, Shockmount (4.0), **12**
- Bracket, Shockmount (5.0, 50Hz), **16**
- Bracket, Shockmount (5.0, 60Hz), **14**
- Breaker, Circuit (1.4/2.0), **4**
- Breaker, Circuit (1.7), **6**
- Breaker, Circuit (2.5), **8**
- Breaker, Circuit (3.5), **10**
- Breaker, Circuit (4.0), **12**
- Breaker, Circuit (5.0, 50Hz), **16**
- Breaker, Circuit (5.0, 60Hz), **14**
- Bushing, Rubber (1.4/2.0), **5**
- Bushing, Rubber (3.5), **11**
- Bushing, Rubber (4.0), **13**
- Bushing, Rubber (5.0, 50Hz), **17**
- Bushing, Rubber (5.0, 60Hz), **15**
- Bushing, Snap (1.4/2.0), **4**
- Bushing, Snap (3.5), **10**
- Bushing, Snap (4.0), **12**
- Bushing, Snap (5.0, 50Hz), **16**
- Bushing, Snap (5.0, 60Hz), **14**
  
- Cable, Battery (1.4/2.0), **4**
- Cable, Battery (1.7), **6**
- Cable, Battery (2.5), **8**
- Cage, Roll (3.5), **10**
- Cage, Roll (4.0), **12**
- Cage, Roll (5.0, 60Hz), **14, 16**
- Capacitor (1.7), **7**
- Capacitor (2.5), **9**
- Cover, End (1.4/2.0), **5**
- Cover, End (1.7), **7**
- Cover, End (2.5), **9**
- Cover, End (3.5), **11**
- Cover, End (4.0), **13**
- Cover, End (5.0, 50Hz), **17**
- Cover, End (5.0, 60Hz), **15**
- Cover, Stator (1.4/2.0), **5**
- Cover, Stator (1.7), **7**
- Cover, Stator (2.5), **9**
- Cover, Stator (3.5), **11**
- Cover, Stator (4.0), **13**
- Cover, Stator (5.0, 60Hz), **15**
  
- Deflector, Louvered (3.5), **10**
- Deflector, Louvered (4.0), **12**
- Deflector, Sideout (5.0, 60Hz), **14, 16**
- Diode (1.4/2.0), **5**
- Diode (1.7), **7**
- Diode (2.5), **9**
- Diode (3.5), **11**
- Diode (4.0), **13**
- Diode (5.0, 50Hz), **17**
- Diode (5.0, 60Hz), **15**
  
- Endbell (1.4/2.0), **5**
- Endbell (1.7), **7**
- Endbell (2.5), **9**
- Endbell (3.5), **11**
- Endbell (4.0), **13**
- Endbell (5.0, 50Hz), **17**
- Endbell (5.0, 60Hz), **15**
  
- Fan, Rotor (3.5), **11**
- Fan, Rotor (4.0), **13**
- Fan, Rotor (5.0, 50Hz), **17**
- Fan, Rotor (5.0, 60Hz), **15**
- Foot (1.4/2.0), **4**
- Foot (1.7), **6**
- Foot (2.5), **8**
- Frame (1.4/2.0), **4**
- Frame (1.7), **6**
- Frame (2.5), **8**
  
- Generator, Replacement (1.4/2.0), **5**
- Generator, Replacement (1.7), **7**
- Generator, Replacement (2.5), **9**
- Generator, Replacement (3.5), **11**
- Generator, Replacement (4.0), **13**
- Generator, Replacement (5.0, 50Hz), **17**
- Generator, Replacement (5.0, 60Hz), **15**
- Grommet (1.7), **7**
- Grommet (2.5), **9**
  
- Harness, Wiring (3.5), **11**
- Harness, Wiring (5.0, 50Hz), **17**
- Holder, Brush (1.4/2.0), **5**
- Holder, Brush (3.5), **11**
- Holder, Brush (4.0), **13**

## Index

Holder, Brush (5.0, 50Hz), **17**  
Holder, Brush (5.0, 60Hz), **15**  
Holder, Capacitor (1.7), **7**  
Holder, Capacitor (2.5), **9**

Label (1.4/2.0), **4**  
Label (1.7), **6**  
Label (2.5), **8**  
Label (3.5), **10**  
Label (4.0), **12**  
Label (5.0, 50Hz), **16**  
Label (5.0, 60Hz), **14**

Panel, Front (1.4/2.0), **4**  
Panel, Front (3.5), **10**  
Panel, Front (4.0), **12**  
Panel, Front (5.0, 50Hz), **16**  
Panel, Front (5.0, 60Hz), **14**  
Plate (5.0, 50Hz), **17**  
Plate, Generator Cover (1.4/2.0), **5**  
Plate, Generator Cover (3.5), **11, 17**

Receptacle (1.4/2.0), **4**  
Receptacle (1.7), **6**  
Receptacle (2.5), **8**  
Receptacle (4.0), **12**  
Receptacle (5.0, 60Hz), **14**  
Regulator, Automatic Voltage (1.4/2.0), **5**  
Regulator, Automatic Voltage (3.5), **11**

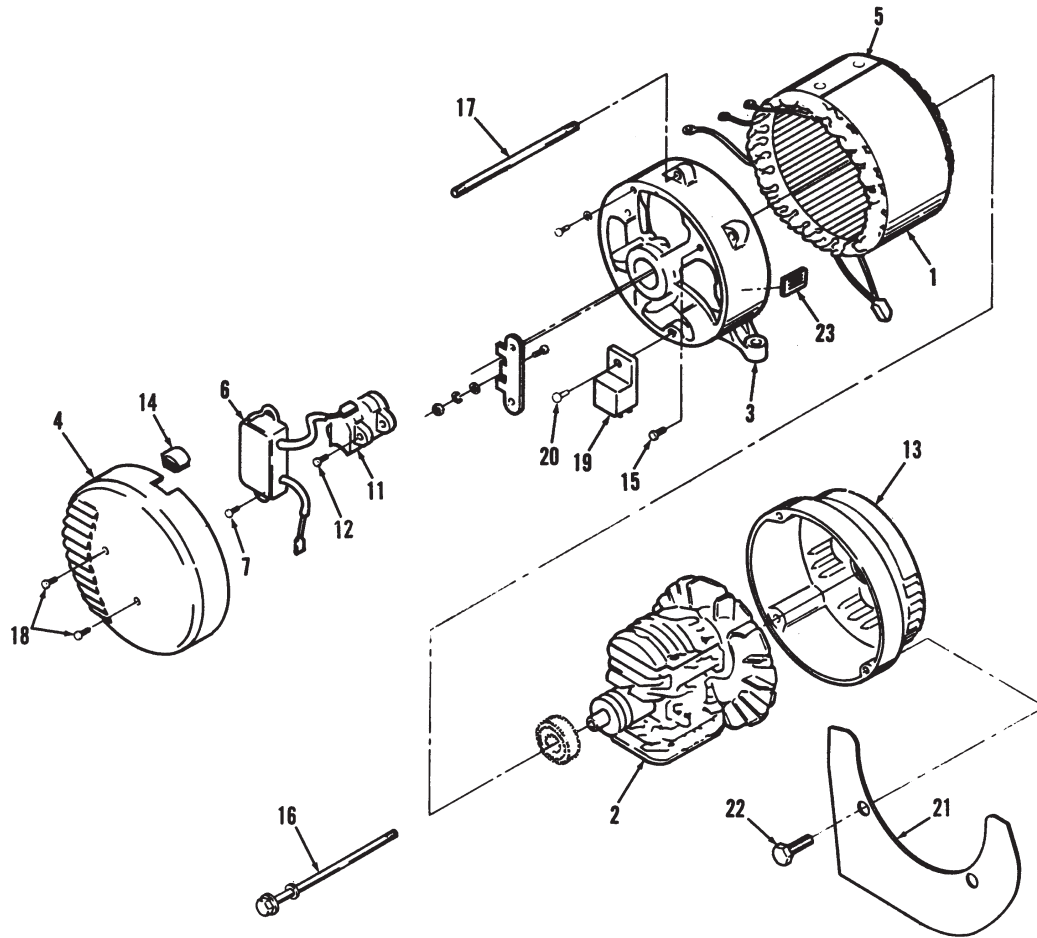
Regulator, Automatic Voltage (4.0), **13**  
Regulator, Automatic Voltage (5.0, 50Hz), **17**  
Regulator, Automatic Voltage (5.0, 60Hz), **15**  
Rotor, Generator (1.4/2.0), **5**  
Rotor, Generator (1.7), **7**  
Rotor, Generator (2.5), **9**  
Rotor, Generator (3.5), **11**  
Rotor, Generator (4.0), **13**  
Rotor, Generator (5.0, 50Hz), **17**  
Rotor, Generator (5.0, 60Hz), **15**

Stator, Generator (1.4/2.0), **5**  
Stator, Generator (1.7), **7**  
Stator, Generator (2.5), **9**  
Stator, Generator (3.5), **11**  
Stator, Generator (4.0), **13**  
Stator, Generator (5.0, 50Hz), **17**  
Stator, Generator (5.0, 60Hz), **15**  
Strap, Ground (1.4/2.0), **4**  
Strap, Ground (1.7), **6**  
Strap, Ground (2.5), **8**  
Strap, Ground (3.5), **10**  
Strap, Ground (4.0), **12**  
Strap, Ground (5.0, 50Hz), **16**  
Strap, Ground (5.0, 60Hz), **14**  
Support, Generator (3.5), **10**  
Support, Generator (4.0), **12**  
Support, Generator (5.0, 50Hz), **16**  
Support, Generator (5.0, 60Hz), **14**

## 1.4/2.0 EGPA (50Hz)

REF NO.	PART NO.	QTY USED	PART DESCRIPTION	REF NO.	PART NO.	QTY USED	PART DESCRIPTION
1	300-4773	1	Back, Control Box	23	327-0882	4	Washer, Lock
2	300-4772	1	Panel, Front	24	327-1114	4	Clamp
3	327-0883	1	Breaker, Circuit-15A, 250V	25	327-0837	1	Cable, Battery
4	327-1108	2	Breaker, Circuit-10A, 250V	26	327-0838	1	Clip, Battery-Red
5	327-0858	1	Receptacle, 12VDC	27	327-0839	1	Clip, Battery-Black
6	327-0851	1	Bushing, Snap	28	327-0840	1	Plug, 12VDC
7	327-1109	1	Connector	29	327-1093	6	Wire, #18
8	327-1110	6	Terminal	30	403-3171	1	Bracket, Shockmount-Low
9	327-0892	1	Clamp, Cable	31	403-3170	1	Bracket, Shockmount-Up
10	327-0901	2	Screw, Phillister Pan Head	32	327-1220	4	Screw, Hex Washer Phillister Head
11	327-1217	2	Washer, External Tooth Lock				
12	327-1111	4	Plug, Hole	33	327-0900	4	Washer
13	403-3934	1	Frame	34	098-6190	1	Label, Exhaust Gas
14	327-1218	1	Arrestor, Spark	35	098-6191-01	1	Label, Gas Vapors
15	327-1219	1	Screw	36	098-6192	1	Label, Hazardous Volts
16	327-1197	1	Strap, Ground	37	098-6074	1	Label, General Warning
17	327-0887	3	Screw, Hex Head Cap	38	098-6277	1	Label, Do Not Overfill
18	327-1216	2	Foot	39	327-0884	1	Label, Oil Drained
19	327-1112	4	Stud, Bumper	40			Label, Model Ident
20	327-0880	2	Washer, Zinc Flat		098-7157	1	1.4EGP
21	327-0877	11	Nut, Zinc Keps		098-7158	1	2.0EGP
22	327-0836	4	Screw, Hex Head Cap				

**Generator  
1.4/2.0 EGPA  
(50Hz)**



REF NO.	PART NO.	QTY USED	PART DESCRIPTION	REF NO.	PART NO.	QTY USED	PART DESCRIPTION
	249-5075	1	Generator, Replacement	16	249-0705	1	Bolt, Rotor Mount (5/16 x 24 unf)
1	249-5075*	1	Stator	17	249-0707	4	Bolt, Stator Mount (M6 x 125mm)
2	249-5075*	1	Rotor	18	249-0759	2	Bolt, End Cover (M5 x 10mm)
3	185-5000	1	Endbell	19	185-5005	1	Diode
4	249-0710	1	Cover, End	20	249-0720	1	Screw, Diode (M5 x 12mm)
5	249-0701	1	Cover, Stator	21	249-0761	1	Plate
6	249-0770	1	Regulator, Automatic Voltage	22	249-0772	2	Screw, Plate (M5 x 8mm)
7	249-0714	3	Screw, AVR Mounting (M5 x 14mm)				
11	249-0771	1	Holder, Brush				
12	249-0720	1	Screw, Brush Holder (M5 x 12mm)				
13	185-4994	1	Adapter				
14	249-0695	1	Bushing, Rubber				
15	249-0724	1	Screw, Ground (M5 x 12mm)				

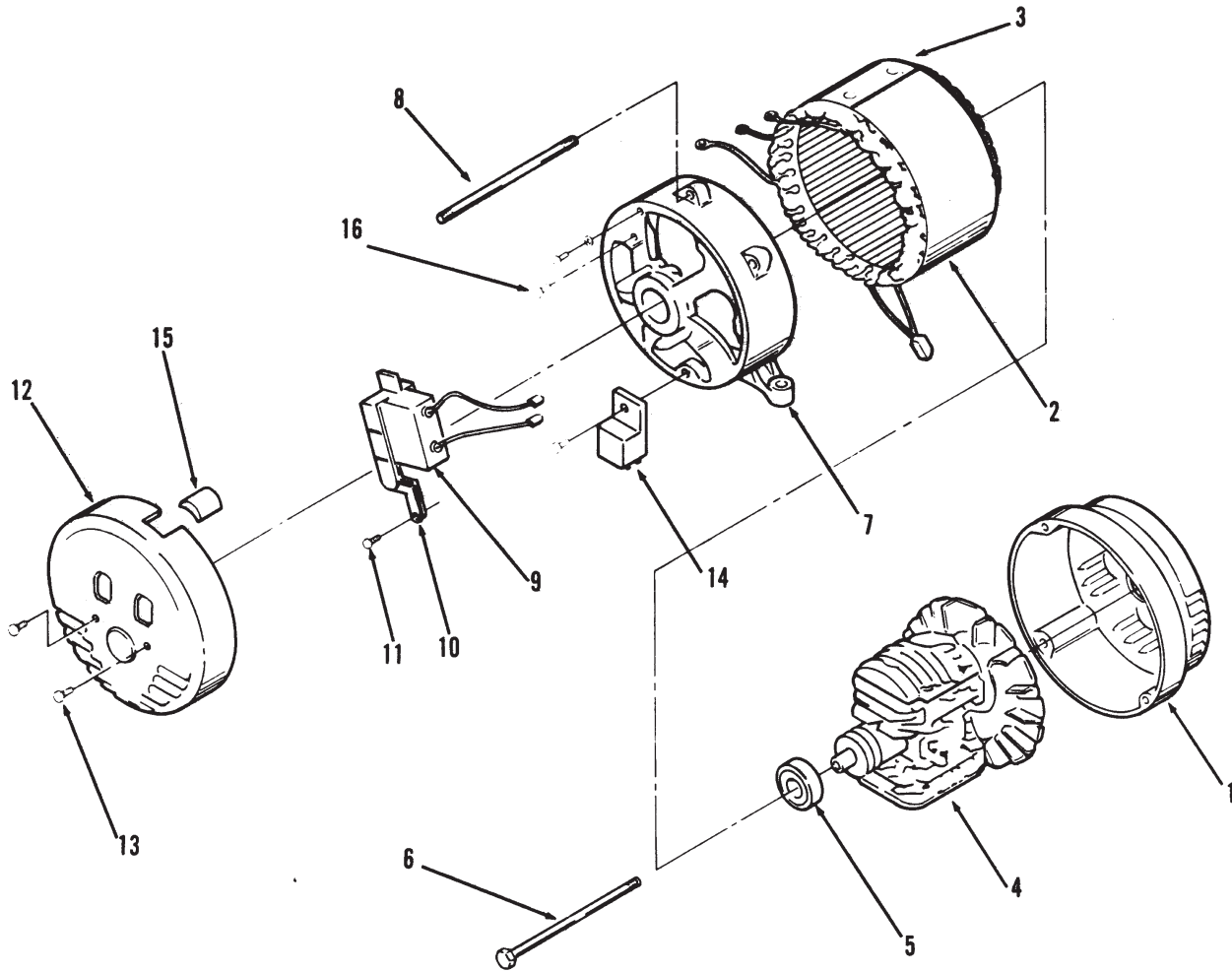
\* – Stator/Rotor Not Available, Must Order Replacement Generator.

## 1.7EGPAA

REF NO.	PART NO.	QTY USED	PART DESCRIPTION	REF NO.	PART NO.	QTY USED	PART DESCRIPTION
1	327-1218	1	Arrestor, Spark	17	327-0839	1	Clip, Battery-Black
2	327-1219	1	Screw	18	327-0840	1	Plug, 12VDC
3	403-3934	1	Frame	19	327-1093	6	Wire, #18
4	403-3171	1	Bracket, Shockmount-Low	20	327-0883	1	Breaker, Circuit-15A 250V
5	403-3170	1	Bracket, Shockmount-Up	21	327-0847	2	Screw, Pan Head
6	327-1197	1	Strap, Ground	22	327-0850	2	Nut, Keps
7	327-0887	5	Screw, Hex Head Cap	23	327-0843	1	Lug, Ground
8	327-1216	2	Foot	24	327-1215	1	Label, Neutral
9	327-0833	4	Stud, Bumper	25	098-7103	1	Label, Onan S1700
10	327-0880	4	Washer, Flat	26	098-6388	1	Label, Phone Info
11	327-0877	13	Nut, Keps	27	098-6190	1	Label, Exhaust Gas
12	327-0836	4	Screw, Hex Head Cap	28	098-6191-01	1	Label, Gas Vapors
13	327-0882	4	Washer, Lock	29	098-6192	1	Label, Hazardous Volts
14	327-1049	1	Receptacle, Duplex-15A 125V	30	098-6074	1	Label, General Warning
15	327-0837	1	Cable, Battery	31	098-6277	1	Label, Do Not Overfill
16	327-0838	1	Clip, Battery-Red	32	327-0903	1	Label, AC-DC



**Generator  
1.7EGPAA/11392B  
(60Hz)**



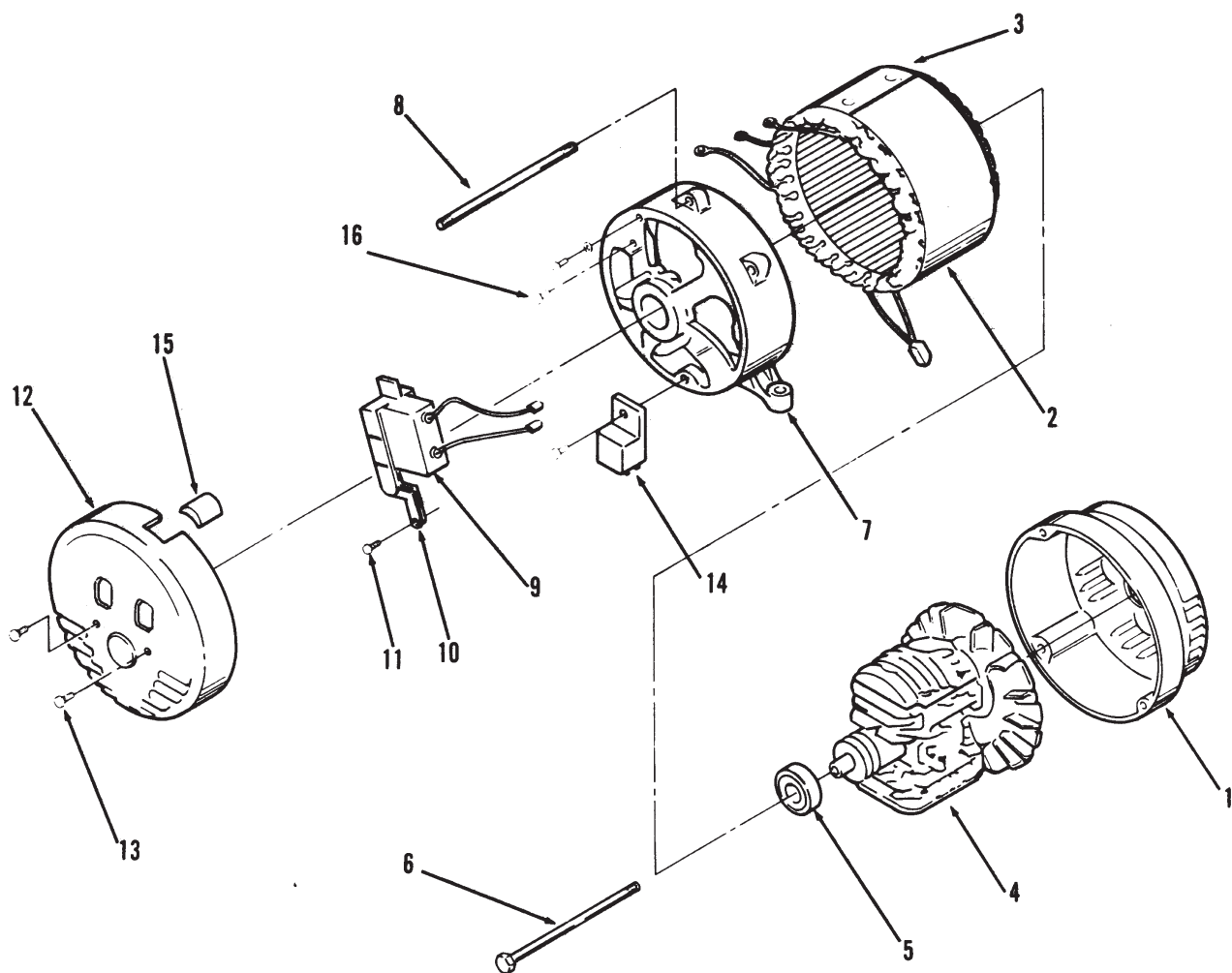
REF NO.	PART NO.	QTY USED	PART DESCRIPTION	REF NO.	PART NO.	QTY USED	PART DESCRIPTION
	249-5068	1	Generator, Replacement	11	249-0720	2	Screw
1	249-0800	1	Adapter	12	249-0708	1	Cover, End
2	249-5068*	1	Stator	13	249-0693	2	Bolt, End Cover
3	249-0700	1	Cover, Stator	14	185-5005	1	Diode
4	249-5068*	1	Rotor	15	249-0760	1	Grommet
5	249-0688	1	Bearing, Ball	16	249-0724	1	Screw, Earth
6	249-0704	1	Bolt, Rotor Mount				
7	185-5000	1	Endbell				
8	249-0706	4	Bolt, Stator Mount				
9	249-0690	1	Capacitor				
10	249-0691	1	Holder, Capacitor				

\* – Stator/Rotor Not Available, Must Order Replacement Generator.

**2.5EGPAB  
(60Hz)**

REF NO.	PART NO.	QTY USED	PART DESCRIPTION	REF NO.	PART NO.	QTY USED	PART DESCRIPTION
1	327-1218	1	Arrestor, Spark	17	327-0839	1	Clip, Battery-Black
2	327-1219	1	Screw	18	327-0840	1	Plug, 12VDC
3	403-3934	1	Frame	19	327-1093	6	Wire, #18
4	403-3171	1	Bracket, Shockmount-Low	20			Breaker, Circuit (250V)
5	403-3170	1	Bracket, Shockmount-Up		327-0883	1	15A
6	327-1197	1	Strap, Ground		320-0541	1	20A
7	327-0887	5	Screw, Hex Head Cap	21	327-0847	2	Screw, Pan Head
8	327-1216	2	Foot	22	327-0850	2	Nut, Keps
9	327-0833	4	Stud, Bumper	23	327-0843	1	Lug, Ground
10	327-0880	4	Washer, Flat	24	327-1215	1	Label, Neutral
11	327-0877	13	Nut, Keps	25	098-7104	1	Label, Onan S1700
12	327-0836	4	Screw, Hex Head Cap	26	098-6388	1	Label, Phone Info
13	327-0882	4	Washer, Lock	27	098-6190	1	Label, Exhaust Gas
14			Receptacle, Duplex (125V)	28	098-6191-01	1	Label, Gas Vapors
	327-1049	1	15A	29	098-6192	1	Label, Hazardous Volts
	323-0541	1	20A	30	098-6074	1	Label, General Warning
15	327-0837	1	Cable, Battery	31	327-0903	1	Label, AC-DC
16	327-0838	1	Clip, Battery-Red	32	327-0884	1	Label, Oil Drained

## Generator 2.5EGPAB (60Hz)



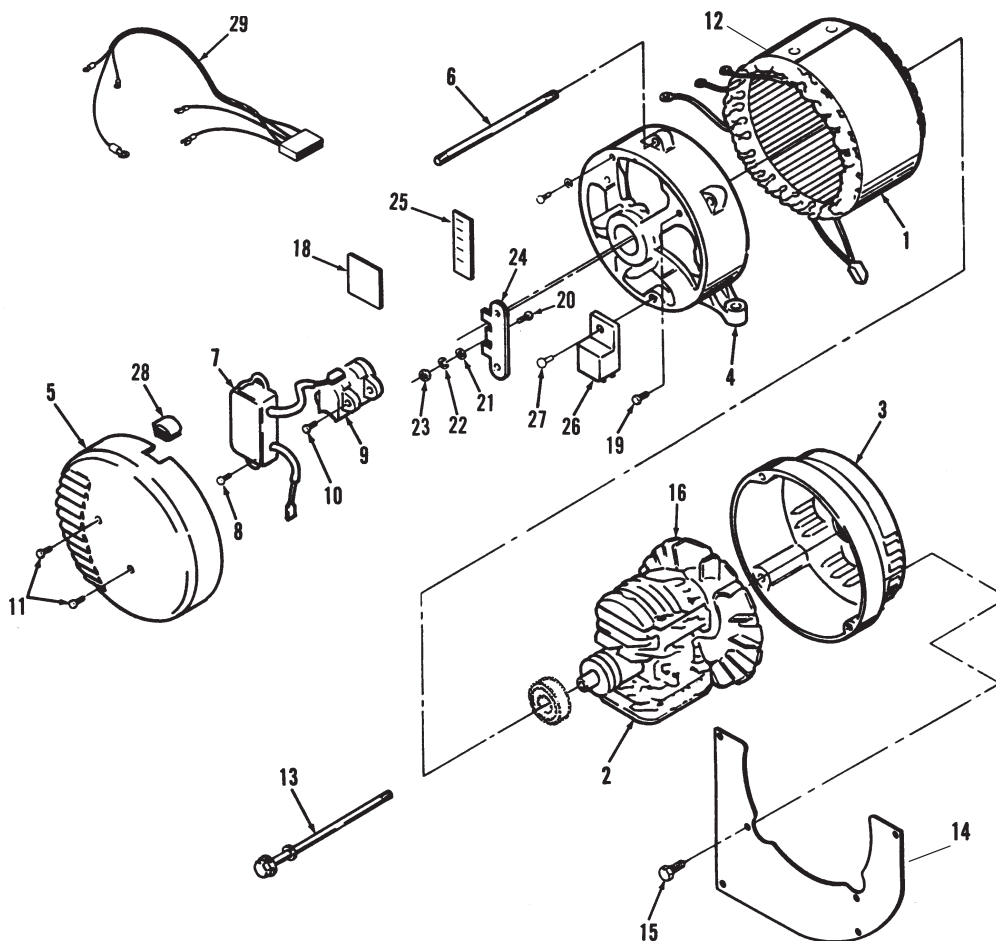
REF NO.	PART NO.	QTY USED	PART DESCRIPTION	REF NO.	PART NO.	QTY USED	PART DESCRIPTION
	249-5069	1	Generator, Replacement	11	249-0720	2	Screw
1	249-0800	1	Adapter	12	249-0709	1	Cover, End
2	249-5069*	1	Stator	13	249-0693	2	Bolt, End Cover
3	249-0701	1	Cover, Stator	14	185-5005	1	Diode
4	249-5069*	1	Rotor	15	249-0760	1	Grommet
5	249-0688	1	Bearing, Ball	16	249-0724	1	Screw, Earth
6	249-0705	1	Bolt, Rotor Mount				
7	185-5000	1	Endbell				
8	249-0707	4	Bolt, Stator Mount				
9	249-0690	1	Capacitor				
10	249-0691	1	Holder, Capacitor				

\* – Stator/Rotor Not Available, Must Order Replacement Generator.

### 3.5EGPAC

REF NO.	PART NO.	QTY USED	PART DESCRIPTION	REF NO.	PART NO.	QTY USED	PART DESCRIPTION
1	327-1221	1	Arrestor, Spark	15	327-1197	1	Strap, Ground
2	327-1222	1	Deflector, Louvered	16	327-1006	1	Support, Generator
3	403-3914	1	Cage, Roll	17	327-0887	3	Screw, Hex Head Cap
4	300-4775	1	Back, Control Box	18	327-0847	4	Washer
5	300-4774	1	Panel, Front	19	327-0961	2	Screw, Hex Head Cap
6	327-0883	4	Breaker, Circuit-15V 250V	20	327-1112	4	Stud, Bumper
7	327-0847	17	Washer	21	327-0877	17	Nut, Keps
8	327-0851	1	Bushing, Snap	22	327-0924	4	Screw
9	327-0892	1	Clamp, Cable	23	327-0879	4	Washer, Lock
10	327-0893	1	Clamp, Cable	24	098-7105	1	Label, Onan
11	327-1109	1	Connector	25	098-6192	1	Label, Hazardous Volts
12	327-1110	6	Terminal	26	098-6074	1	Label, General Warning
13	327-1111	4	Plug, Hole	27	098-6190	1	Label, Exhaust Gas
13	403-3171	1	Bracket, Shockmount-Low	28	098-6191-01	1	Label, Gas Vapors
14	403-3170	1	Bracket, Shockmount-Up	29	327-0884	1	Label, Oil Drained

## Generator 3.5EGPAC (50Hz)



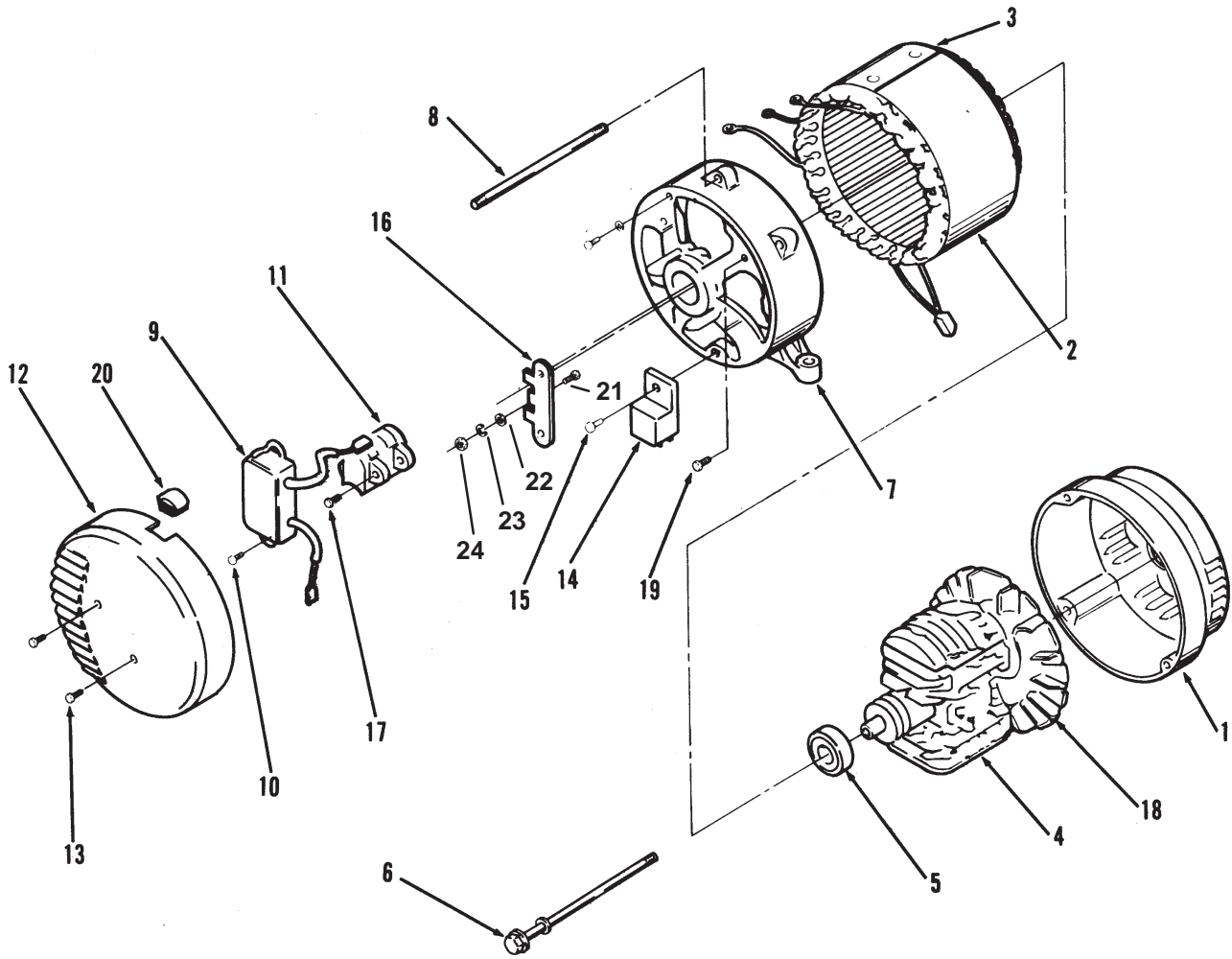
REF NO.	PART NO.	QTY USED	PART DESCRIPTION	REF NO.	PART NO.	QTY USED	PART DESCRIPTION
	249-5074	1	Generator, Replacement	15	249-0779	7	Screw, Plate
1	249-5074*	1	Stator	16	249-0723	1	Fan, Rotor
2	249-5074*	1	Rotor	18	249-0746	2	Plate
3	249-0711	1	Adapter	19	249-0724	1	Screw, Ground (M5 x 12mm)
4	249-0713	1	Endbell	20	249-0747	4	Bolt, Terminal (M5 x 20mm)
5	249-0717	1	Cover, End	21	249-0780	4	Washer, Flat (M5)
6	249-0707	4	Bolt, Stator Mount	22	249-0749	8	Washer, Spring Lock (M5)
7	249-0715	1	Regulator, Automatic Voltage	23	249-0750	8	Nut, Hex Lock (M5)
8	249-0714	7	Screw, AVR Mounting (M5 x 14mm)	24	249-0765	1	Terminal
9	249-0716	1	Holder, Brush	25	249-0751	1	Marker, Terminal
10	249-0722	1	Screw, Brush Holder (M5 x 18mm)	26	185-5005	1	Diode
11	249-0718	2	Bolt, End Cover (M5 x 20mm)	27	249-0720	1	Screw, Diode (M5 x 12mm)
12	249-0777	1	Cover, Stator	28	249-0725	1	Bushing, Rubber
13	249-0778	1	Bolt, Rotor Mounting (5/16 - 24 unf)	29	249-0752	1	Harness, Wire (with Coupler)
14	249-0745	1	Plate				

\* - Stator/Rotor Not Available, Must Order Replacement Generator.

## 4.0EGPAC

REF NO.	PART NO.	QTY USED	PART DESCRIPTION	REF NO.	PART NO.	QTY USED	PART DESCRIPTION
1	403-3914	1	Cage, Roll	20	403-3170	1	Bracket, Shockmount-Up
2	327-1006	1	Support, Generator	21	327-1221	1	Arrestor, Spark
3	300-4762	1	Panel, Front	22	327-1222	1	Deflector, Louvered
4	327-1048	1	Receptacle, GFI-15A 125V	23	327-1197	1	Strap, Ground
5	323-1107	1	Twistlock	24	327-0887	3	Screw, Hex Head Cap
6	323-1111	1	Twistlock	25	327-0961	2	Screw, Hex Head Cap
7	320-0541	2	Breaker, Circuit-20A 250V	26	098-6277	1	Label, Do Not Overfill
8	327-0843	1	Lug, Ground	27	098-6191-01	1	Label, Gas Vapors
9	327-0846	1	Screw, Pan Head	28	098-6192	1	Label, Hazardous Volts
10	327-0911	2	Nut, Hex	29	098-6074	1	Label, General Warning
11	327-0912	2	Washer, Lock	30	327-0884	1	Label, Oil Drained
12	327-0847	14	Screw, Pan Head	31	327-0833	4	Stud, Bumper
13	327-0850	9	Nut, Keps	32	327-0880	4	Washer, Flat
14	327-0851	2	Bushing, Snap	33	327-0877	15	Nut, Keps
15	327-0892	1	Clamp, Cable	34	327-0924	4	Screw
16	327-0893	1	Clamp, Cable-White	35	327-0879	4	Washer, Lock
17	300-3743	1	Box, Control	36	327-1215	1	Label, Neutral
18	327-0841	5	Tyrap	37	098-6388	1	Label, Phone Info
19	403-3171	1	Bracket, Shockmount-Low	38	098-6190	1	Label, Exhaust Gas

**Generator  
4.0EGPAC/11392C  
(60Hz)**



REF NO.	PART NO.	QTY USED	PART DESCRIPTION	REF NO.	PART NO.	QTY USED	PART DESCRIPTION
	249-5071	1	Generator, Replacement	15	249-0720	1	Screw, Diode
1	249-0711	1	Adapter	16	249-0721	1	Terminal
2	249-5071*	1	Stator	17	249-0722	1	Screw, Brush Holder
3	249-0729	1	Cover, Stator	18	249-0723	1	Fan, Rotor
4	249-5071*	1	Rotor	19	249-0724	1	Screw, Earth
5	249-0712	1	Bearing, Ball	20	249-0725	1	Bushing, Rubber
6	249-0735	1	Bolt, Rotor Mount	21	249-0747	4	Bolt, Terminal (M5 x 20mm)
7	249-0713	1	Endbell	22	249-0780	4	Washer, Flat (M5)
8	249-0738	4	Bolt, Stator Mount	23	249-0749	8	Washer, Spring Lock (M5)
9	249-0715	1	Regulator, Automatic Voltage	24	249-0750	8	Nut, Hex Lock (M5)
10	249-0714	1	Screw, AVR Mounting				
11	249-0716	2	Holder, Brush				
12	249-0717	1	Cover, End				
13	249-0718	2	Bolt, End Cover				
14	185-5005	1	Diode				

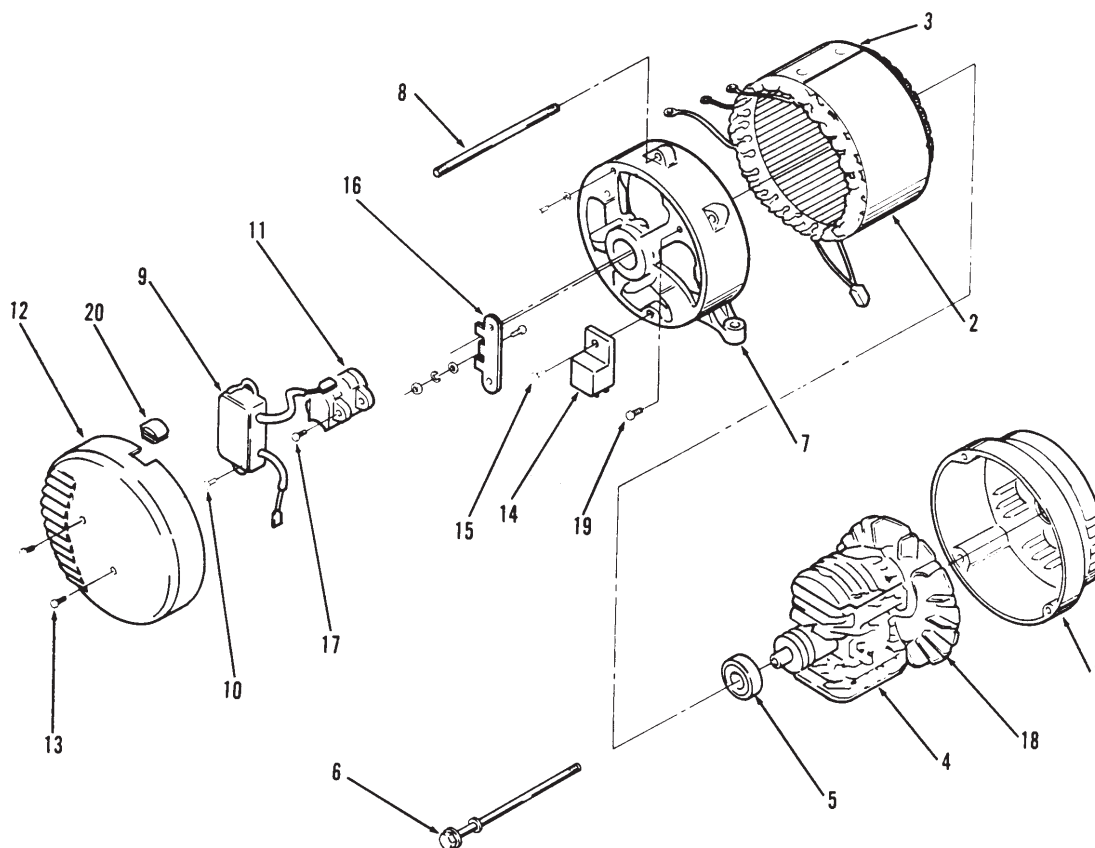
\* - Stator/Rotor Not Available, Must Order Replacement Generator.

## 5.0EGPAD (60Hz)

REF NO.	PART NO.	QTY USED	PART DESCRIPTION	REF NO.	PART NO.	QTY USED	PART DESCRIPTION
1	327-1222	1	Deflector, Sideout	21	327-0877	15	Nut, Keps
2	300-3743	1	Back, Control Box	22	327-0961	4	Screw, Hex Head Cap
3	300-4762	1	Panel, Front	23	327-0924	4	Screw
4	327-1048	1	Receptacle, GFI	24	327-0882	1	Washer, Lock
5	323-1107	1	Twistlock	25	327-0879	4	Washer, Lock
6	323-1111	1	Twistlock	26	098-7108	1	Label, Onan
7	320-0541	2	Breaker, Circuit-20A, 250V	27	098-6388	1	Label, Phone Info
8	327-0843	1	Lug, Ground	28	327-1215	1	Label, Neutral
9	327-0846	1	Screw, Pan Head	29	098-6190	1	Label, Exhaust Gas
10	327-0911	2	Nut, Hex	30	098-6191-01	1	Label, Gas Vapors
11	327-0912	2	Washer, Lock	31	098-6192	1	Label, Hazardous Volts
12	403-3171	1	Bracket, Shockmount-Low	32	098-6074	1	Label, General Warning
13	403-3170	1	Bracket, Shockmount-Up	33	098-6277	1	Label, Do Not Overfill
14	327-1221	1	Arrestor, Spark	34	327-0884	1	Label, Oil Drained
15	403-3914	1	Cage, Roll	35	327-0847	14	Screw, Hex Washer Head
16	327-1006	1	Support, Generator	36	327-0850	9	Nut, Keps
17	327-1197	1	Strap, Ground	37	327-0851	2	Bushing, Snap
18	327-0887	3	Screw, Hex Head Cap	38	327-0892	1	Clamp, Cable
19	327-0833	4	Stud, Bumper	39	327-0893	1	Clamp, Cable-White
20	327-0880	4	Washer				



## Generator 5.0EGPAD (60Hz)



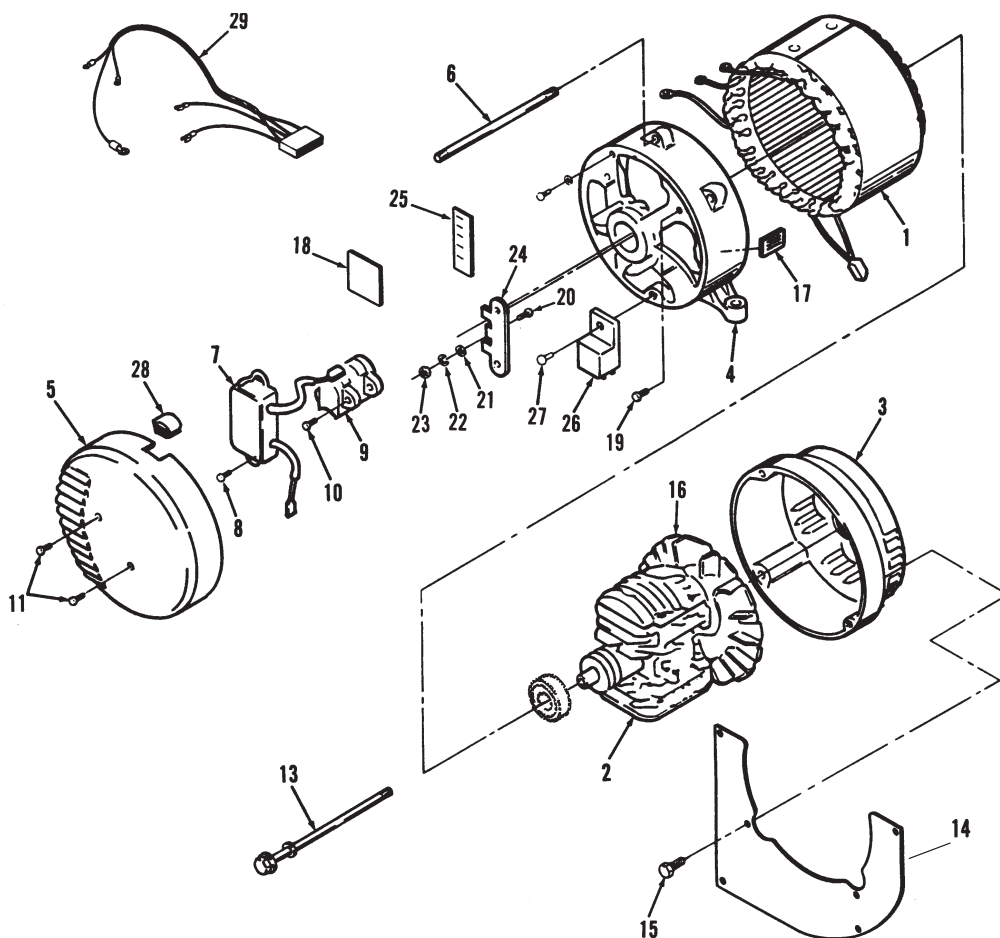
REF NO.	PART NO.	QTY USED	PART DESCRIPTION	REF NO.	PART NO.	QTY USED	PART DESCRIPTION
	249-5072	1	Generator, Replacement	13	249-0718	2	Bolt, End Cover
1	249-0799	1	Adapter, Generator	14	185-5005	1	Diode
2	249-5072*	1	Stator	15	249-0720	1	Screw, Diode
3	249-0730	1	Cover, Stator	16	249-0801	1	Terminal
4	249-5072*	1	Rotor	17	249-0722	1	Screw, Brush Holder
5	249-0712	1	Bearing, Ball	18	249-0723	1	Fan, Rotor
6	249-0736	1	Bolt, Rotor Mount	19	249-0724	1	Screw, Earth
7	249-0713	1	Endbell	20	249-0725	1	Bushing, Rubber
8	249-0739	4	Bolt, Stator Mount				
9	249-0715	1	Regulator, Automatic Voltage				
10	249-0714	7	Screw, AVR Mounting				
11	249-0716	1	Holder, Brush				
12	249-0717	1	Cover, End				

\* – Stator/Rotor Not Available, Must Order Replacement Generator.

**5.0EGPAD  
(50Hz)**

<b>REF NO.</b>	<b>PART NO.</b>	<b>QTY USED</b>	<b>PART DESCRIPTION</b>	<b>REF NO.</b>	<b>PART NO.</b>	<b>QTY USED</b>	<b>PART DESCRIPTION</b>
1	300-4775	1	Back, Control Box	17	327-1197	1	Strap, Ground
2	300-4774	1	Panel, Front	18	327-0887	3	Screw, Hex Head Cap
3	327-0883	4	Breaker, Circuit-15A 250V	19	327-1112	4	Stud, Bumper
4	327-0847	17	Screw	20	327-0877	15	Nut, Keps
5	327-0851	1	Bushing, Snap	21	327-0924	4	Screw
6	327-0892	1	Clamp, Cable	22	327-0879	4	Washer, Lock
7	327-0893	1	Clamp, Cable-White	23	327-0882	1	Washer, Lock
8	327-1109	1	Connector	24	327-1024	8	Screw, Hex Head Cap
9	327-1110	6	Terminal	25	327-0861	8	Nut, Keps
10	327-1111	2	Plug, Hole	26	098-7106	1	Label, Onan
11	327-1221	1	Arrestor, Spark	27	098-6191-01	1	Label, Gas Vapors
12	327-1222	1	Deflector, Sideout	28	098-6192	1	Label, Hazardous Volts
13	403-3914	1	Cage, Roll	29	098-6074	1	Label, General Warning
14	403-3171	1	Bracket, Shockmount-Low	30	327-0884	1	Label, Oil Drained
15	403-3170	1	Bracket, Shockmount-Up	31	098-6370	1	Label, Open Close
16	327-1006	1	Support, Generator	32	098-6190	1	Label, Exhaust

## Generator 5.0EGPAD (50Hz)



REF NO.	PART NO.	QTY USED	PART DESCRIPTION	REF NO.	PART NO.	QTY USED	PART DESCRIPTION
	249-0193	1	Generator, Replacement	15	249-0720	7	Screw, Plate (M5 x 12mm)
1	249-0193*	1	Stator	16	249-0723	1	Fan, Rotor
2	249-0193*	1	Rotor	17	249-0746	2	Plate
3	249-0711	1	Adapter	18	249-0724	1	Screw, Ground (M5 x 12mm)
4	249-0713	1	Endbell	19	249-0747	4	Bolt, Terminal (M5 x 20mm)
5	249-0717	1	Cover, End	20	249-0780	4	Washer, Flat (M5)
6	249-0740	1	Bolt, Stator Mounting (M6 x 165mm)	21	249-0749	8	Washer, Spring Lock (M5)
7	249-0715	1	Regulator, Automatic Voltage	22	249-0750	8	Nut, Hex Lock (M5)
8	249-0714	7	Screw, AVR Mounting (M5 x 14mm)	23	249-0765	1	Terminal
9	249-0716	1	Holder, Brush	24	249-0751	1	Marker, Terminal
10	249-0722	1	Screw, Brush Holder (M5 x 18mm)	25	185-5005	1	Diode, DC
11	249-0718	2	Bolt, Endbell Cover (M5 x 20mm)	26	249-0720	1	Screw, DC Diode (M5 x 12mm)
13	249-0737	1	Bolt, Rotor Mounting (5/16 - 24 x ")	27	249-0725	1	Bushing, Rubber
14	249-0745	1	Plate	28	249-0752	1	Harness, Wire (With Coupler)

\* - Stator/Rotor Not Available, Must Order Replacement Generator.

## Numerical Index

<u>Part No.</u>	<u>Page</u>	<u>Part No.</u>	<u>Page</u>	<u>Part No.</u>	<u>Page</u>	<u>Part No.</u>	<u>Page</u>
098-6074, 4, 6, 8, 10, 12, 14, 16		249-0715, 11, 13, 15, 17		249-5068, 7		327-0892, 4, 10, 12, 14, 16	
098-6190, 4, 6, 8, 10, 12, 14, 16		249-0716, 11, 13, 15, 17		249-5069, 9		327-0893, 10, 12, 14, 16	
098-6191-01, 4, 6, 8, 10, 12, 14		249-0717, 11, 13, 15, 17		249-5071, 13		327-0900, 4	
098-6192, 4, 6, 8, 10, 12, 14, 16		249-0718, 11, 13, 15, 17		249-5072, 15		327-0901, 4	
098-6277, 4, 6, 12, 14		249-0720, 5, 7, 9, 11, 13, 15, 17		249-5074, 11		327-0903, 6, 8	
098-6370, 16		249-0721, 13		249-5075, 5		327-0911, 12, 14	
098-6388, 6, 8, 12, 14		249-0722, 11, 13, 15, 17		300-3743, 12, 14		327-0912, 12, 14	
098-7103, 6		249-0723, 11, 13, 15, 17		300-4762, 12, 14		327-0924, 10, 12, 14, 16	
098-7104, 8		249-0724, 5, 7, 9, 11, 13, 15, 17		300-4772, 4		327-0961, 10, 12, 14	
098-7105, 10		249-0725, 11, 13, 15, 17		300-4773, 4		327-1006, 10, 12, 14, 16	
098-7106, 16		249-0729, 13		300-4774, 10, 16		327-1024, 16	
098-7108, 14		249-0730, 15		300-4775, 10, 16		327-1048, 12, 14	
098-7157, 4		249-0735, 13		320-0541, 8, 12, 14		327-1049, 6, 8	
098-7158, 4		249-0736, 15		323-0541, 8		327-1093, 4, 6, 8	
185-4994, 5		249-0737, 17		323-1107, 12, 14		327-1108, 4	
185-5000, 5, 7, 9		249-0738, 13		323-1111, 12, 14		327-1109, 4, 10, 16	
185-5005, 5, 7, 9, 11, 13, 15, 17		249-0739, 15		327-0833, 6, 8, 12, 14		327-1110, 4, 10, 16	
249-0193, 17		249-0740, 17		327-0836, 4, 6, 8		327-1111, 4, 10, 16	
249-0688, 7, 9		249-0745, 11, 17		327-0837, 4, 6, 8		327-1112, 4, 10, 16	
249-0690, 7, 9		249-0746, 11, 17		327-0838, 4, 6, 8		327-1114, 4	
249-0691, 7, 9		249-0747, 11, 13, 17		327-0839, 4, 6, 8		327-1197, 4, 6, 8, 10, 12, 14, 16	
249-0693, 7, 9		249-0749, 11, 13, 17		327-0840, 4, 6, 8		327-1215, 6, 8, 12, 14	
249-0695, 5		249-0750, 11, 13, 17		327-0841, 12		327-1216, 4, 6, 8	
249-0700, 7		249-0751, 11, 17		327-0843, 6, 8, 12, 14		327-1217, 4	
249-0701, 5, 9		249-0752, 11, 17		327-0846, 12, 14		327-1218, 4, 6, 8	
249-0704, 7		249-0759, 5		327-0847, 6, 8, 10, 12, 14, 16		327-1219, 4, 6, 8	
249-0705, 5, 9		249-0760, 7, 9		327-0850, 6, 8, 12, 14		327-1220, 4	
249-0706, 7		249-0761, 5		327-0851, 4, 10, 12, 14, 16		327-1221, 10, 12, 14, 16	
249-0707, 5, 9, 11		249-0765, 11, 17		327-0858, 4		327-1222, 10, 12, 14, 16	
249-0708, 7		249-0770, 5		327-0861, 16		403-3170, 4, 6, 8, 10, 12, 14, 16	
249-0709, 9		249-0771, 5		327-0877, 4, 6, 8, 10, 12, 14, 16		403-3171, 4, 6, 8, 10, 12, 14, 16	
249-0710, 5		249-0772, 5		327-0879, 10, 12, 14, 16		403-3914, 10, 12, 14, 16	
249-0711, 11, 13, 17		249-0777, 11		327-0880, 4, 6, 8, 12, 14		403-3934, 4, 6, 8	
249-0712, 13, 15		249-0778, 11		327-0882, 4, 6, 8, 14, 16			
249-0713, 11, 13, 15, 17		249-0779, 11		327-0883, 4, 6, 8, 10, 16			
249-0714, 5, 11, 13, 15, 17		249-0780, 11, 13, 17		327-0884, 4, 8, 10, 12, 14, 16			
		249-0799, 15		327-0887, 4, 6, 8, 10, 12, 14, 16			
		249-0800, 7, 9					
		249-0801, 15					

# Onan

**Onan Corporation**  
1400 73rd Avenue N.E.  
Minneapolis, MN 55432  
1-800-888-ONAN  
612-574-5000 International Use  
Telex: 275477  
Fax: 612-574-8087

Onan is a registered trademark of Onan Corporation



Redistribution or publication of this document by any means, is strictly prohibited.