

The following catalog has gaps in its page numbers, or doesn't have any numbers. We have chosen to leave the page numbering in the order that Acrobat assigns it.

PARTS CATALOG INDEX "T" SERIES NO. 72

FICHE LOCATION	GROUP
A3	INSTRUCTIONS
A4	DATA TABLE
A5, A6	GENERATOR
A7	FRAME, CARRYING
A8	DOLLY

PARTS CATALOG

INSTRUCTIONS FOR ORDERING REPAIR PARTS


ONAN PARTS

All parts in this list are Onan parts. For Onan parts or service, contact the dealer from whom you purchased this equipment or your nearest authorized service station. To avoid errors or delay in filling your order, please refer to the Onan nameplate and give the complete MODEL and SPEC NO. and SERIAL NO.

MODEL	[]		
SERIAL	[]		
ALWAYS MENTION MODEL & SERIAL NO.			
AC VOLTS	[]	KVA	[] KW
AMPS	[]	PF	[] CYCLES
PH	[]	RPM	[]
EXCITER DC VOLTS	[]	AMPS	[]
GENERATOR ONLY OF THIS GENERATING PLANT MANUFACTURED BY ONAN			
MINNEAPOLIS, MINNESOTA U.S.A. FOR ELECTRICAL EQUIPMENT ONLY			

TECUMSEH PARTS

All Tecumseh engine parts must be ordered from your nearest Tecumseh Products Center or Tecumseh Products Co., Grafton, Wisconsin. Refer to the Tecumseh nameplate and give the complete MODEL and SERIAL NO.

 ENGINE MFG. BY TECUMSEH PRODUCTS CO. GRAFTON, WIS. LUBRICATION BEFORE STARTING, FILL CRANKCASE TO TOP OF FILLER NECK OR TO FULL MARK WHEN OIL STICK IS PROVIDED. BE SURE EN- GINE IS LEVEL ABOVE 32 F. USE MOBIL OIL A SAE 30 W. BELOW 32 F. USE MOBIL OIL 10W SAE 30W OR EQUAL. USE CLAYTON MS OIL ONLY. CHANGE OIL AFTER FIRST 2 OPERATING HRS. AND EVERY 20 OPERATING HRS. THEREAFTER. CHECK OIL EVERY 5 OPERATING HRS. SPARK PLUG GAP .030 BREAKER POINT GAP .020	MODEL NO. 1250004 SERIAL NO. 111111
--	--

This catalog applies to the standard TA, TB, TC, TD, TE and TF generator sets as listed below. Onan parts are arranged in groups of related items and are identified by a reference. All parts illustrations are typical. Using the Model and Spec number from the Onan nameplate, select the Parts Key Number (1, 2, etc. in the last column) that applies to your set Model and Spec Number. This parts key number represents parts that differ between models. Unless otherwise mentioned in the description, parts are interchangeable between models.

GENERATOR SET DATA TABLE

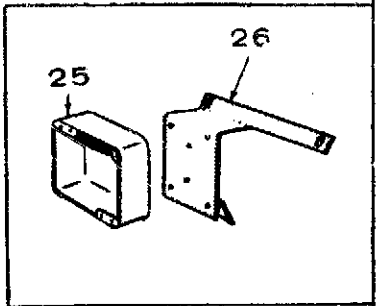
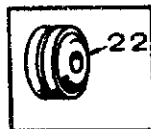
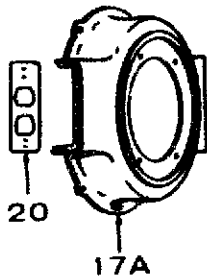
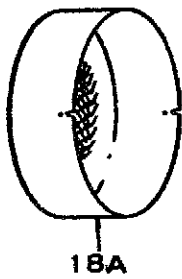
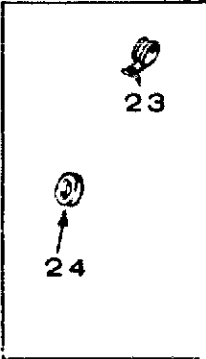
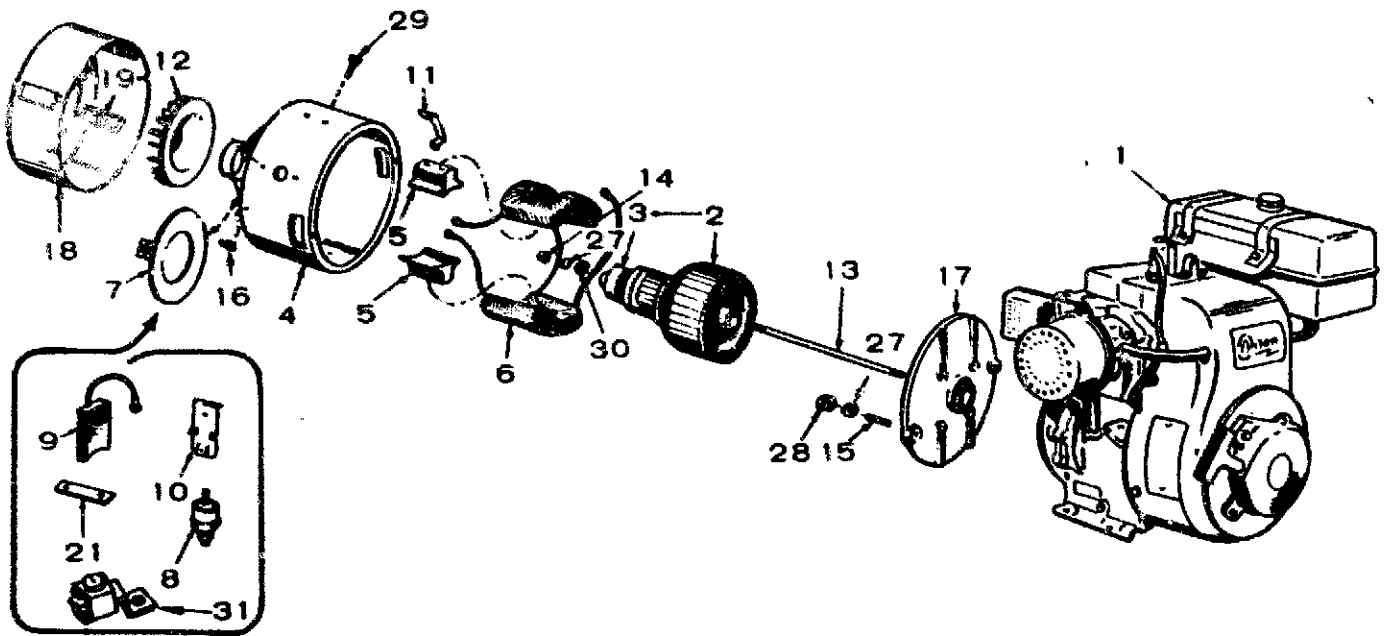
MODEL & SPEC NO. £	ELECTRICAL DATA			ENGINE NO. (ONAN)	ENGINE NO. (TECUMSEH)	PARTS KEY NO.
	WATTS	VOLTS	HERTZ			
1.2TA-51P/*	1,200	120	50	100-0604	H35-45134	1
1.2TA-52P/*	1,200	240	50	100-0604	H35-45134	1
1.5TA-1P/*	1,500	120	60	100-0604	H35-45134	1
1.5TA-2P/*	1,500	240	60	100-0604	H35-45134	1
1.4TB-51P/*	1,400	120	50	100-0789	H50-65148	2
1.4TB-52P/*	1,400	240	50	100-0789	H50-65148	2
1.7TB-1P/*	1,700	120	60	100-0789	H50-65148	2
1.7TB-2P/*	1,700	240	60	100-0789	H50-65148	2
2.0TC-51P/*	2,000	120	50	100-0606	H60-75225	3
2.0TC-52P/*	2,000	240	50	100-0606	H60-75225	3
2.0TC-53P/*	2,000	120/240	50	100-0606	H60-75225	3
2.5TC-1P/*	2,500	120	60	100-0606	H60-75225	3
2.5TC-2P/*	2,500	240	60	100-0606	H60-75225	3
2.5TC-3P/*	2,500	120/240	60	100-0606	H60-75225	3
3.2TD-51P/* ★	3,250	120	50	100-0776	HH80-110082	4
3.2TD-52P/* ★	3,250	240	50	100-0776	HH80-110082	4
3.2TD-53P/* ★	3,250	120/240	50	100-0776	HH80-110082	4
4.0TD-1P/*	4,000	120	60	100-0776	HH80-110082	4
4.0TD-2P/*	4,000	240	60	100-0776	HH80-110082	4
4.0TD-3P/*	4,000	120/240	60	100-0776	HH80-110082	4
1.6TE-51P/*	1,600	120	50	100-0789	H50-65148	5
1.6TE-52P/*	1,600	240	50	100-0789	H50-65148	5
2.0TE-1P/*	2,000	120	60	100-0789	H50-65148	5
2.0TE-2P/*	2,000	240	60	100-0789	H50-65148	5
2.3TF-51P/*	2,300	120	50	100-0782	H70-130034	6
2.3TF-52P/*	2,300	240	50	100-0782	H70-130034	6
2.3TF-53P/*	2,300	120/240	50	100-0782	H70-130034	6
2.8TF-1P/*	2,800	120	60	100-0782	H70-130034	6
2.8TF-2P/*	2,800	240	60	100-0782	H70-130034	6
2.8TF-3P/*	2,800	120/240	60	100-0782	H70-130034	6

* - The Specification Letter advances (A to B, B to C, etc.) with manufacturing changes.

£ - New model designations shown, begin during 1969. Previous designations did not use a decimal in the KW rating.

★ - Identical to early models stamped 3.0TD-51P/, 3.0TD-52P/ or 3.0TD-53P/.

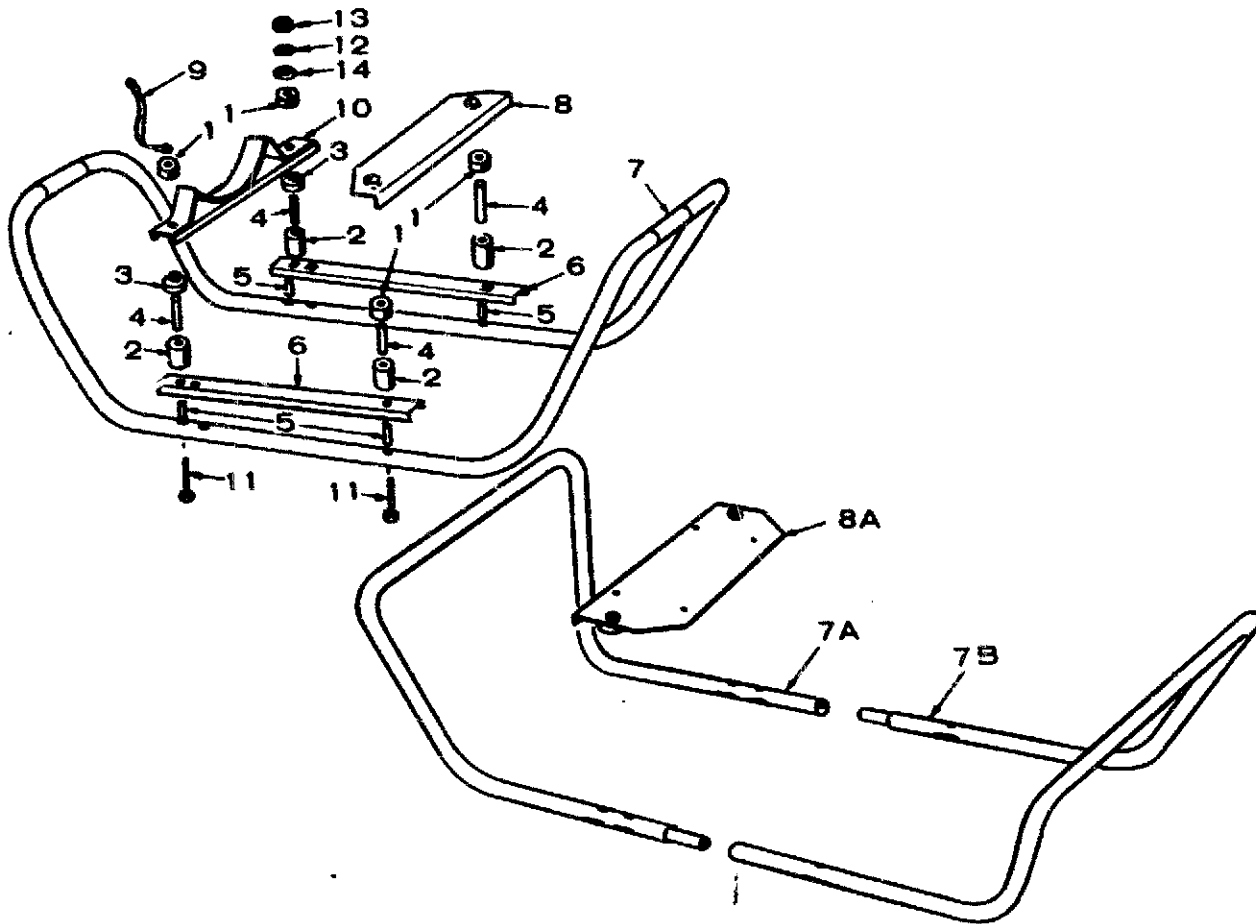
GENERATOR GROUP



EF. NO.	PART NO.	QTY. USED	PART DESCRIPTION
1	*ENGINE, COMPLETE		
	100-0604	1	Key 1 (Tecumseh #H35-45134)
	100-0605	1	Key 2 (Tecumseh #H40-55121)
	100-0606	1	Key 3 (Tecumseh #H60-75225)
	100-0776	1	Key 4 (Tecumseh #HH80-110082)
	100-0785	1	Key 5 (Tecumseh #H50-65148)
	100-0782	1	Key 6 (Tecumseh #H70-130034)
2	ARMATURE ASSEMBLY, INCLUDES BEARING		
	201-1246	1	Key 1, 2, 5 - 120 Volt, 60 Hertz
	201-1384	1	Key 3, 6 - 120 Volt, 60 Hertz
	201-1565	1	Key 4 - 120 Volt, 60 Hertz
	201-1488	1	Key 3, 6 - 120/240 Volt, 60 Hertz
	201-1575	1	Key 4 - 120/240 Volt, 60 Hertz
	201-1302	1	Key 1, 2, 5 - 240 Volt, 60 Hertz
	201-1435	1	Key 3, 6 - 240 Volt, 60 Hertz
	201-1574	1	Key 4 - 240 Volt, 60 Hertz
	201-1279	1	Key 1, 2, 5 - 120 Volt, 50 Hertz
	201-1434	1	Key 3, 6 - 120 Volt, 50 Hertz
	201-1600	1	Key 4 - 120 Volt, 50 Hertz
	201-1517	1	Key 3, 6 - 120/240 Volt, 50 Hertz
	201-1602	1	Key 4 - 120/240 Volt, 50 Hertz
	201-1297	1	Key 1, 2, 5 - 240 Volt, 50 Hertz
	201-1386	1	Key 3, 6 - 240 Volt, 50 Hertz
	201-1601	1	Key 4 - 240 Volt, 50 Hertz
3	510-0047	1	Bearing, Ball
4	FRAME, GENERATOR		
	210-1809	1	Key 1, 2, 5
	210-1716	1	Key 3, 6 - 120 Volt & 240 Volt
	210-1718	1	Key 3, 6 - 120/240 Volt
	210-1964	1	Key 4
5	SHOE, POLE		
	221-0115	2	Key 1, 2, 5
	221-0112	2	Key 3, 6
	221-0134	2	Key 4
6	FIELD COIL SET (2 COILS WIRED TOGETHER)		
	222-1625	1	Key 1, 2, 5 - 120 Volt
	222-1643	1	Key 3, 6 - 120 Volt & 120/240 Volt
	222-1697	1	Key 4 - 120 Volt & 120/240 Volt
	222-1635	1	Key 1, 2, 5 - 240 Volt
	222-1644	1	Key 3, 6 - 240 Volt
	222-1706	1	Key 4 - 240 Volt
7	RIG ASSEMBLY, BRUSH (Includes Brushes & Springs)		
	212-0292	1	Key 1, 2, 3, 5 - 120 Volt
	212-0336	1	Key 4 - 120 Volt
	212-0305	1	240 Volt
	212-0308	1	Key 3, 6 - 120/240 Volt
	212-0340	1	Key 4 - 120/240 Volt
	212-0336	1	Key 6 - 120 Volt, 60 Hertz
	212-0292	1	Key 6 - 120 Volt, 50 Hertz
8	RECTIFIER		
	358-0016	2	120 Volt & 120/240 Volt
	358-0008	2	240 Volt
9	BRUSH, COLLECTOR RING		
	214-0072	2	Key 1, 2, 3, 5 - All Except 120/240 Volt, Also Key 4, 6 - 240 Volt
	214-0072	2	Key 6 - 120 Volt, 50 Hertz
	214-0072	3	All 120/240 Volt
	214-0072	4	Key 4 - 120 Volt
	214-0072	4	Key 6 - 120 Volt, 60 Hertz
10	SPRING, COLLECTOR RING BRUSH		
	212-1105	2	Key 1, 2, 3, 5 - All Except 120/240 Volt, Also Key 4, 6 - 240 Volt
	212-1105	2	Key 6 - 120 Volt, 50 Hertz
	212-1105	3	All 120/240 Volt
	212-1105	4	Key 4 - 120 Volt
	212-1105	4	Key 6 - 120 Volt, 60 Hertz

REF. NO.	PART NO.	QTY. USED	PART DESCRIPTION
11	234-0169	2	Cover, Air Outlet - Key 1, 2, 3, 5, 6
12	205-0056	1	Blower, Generator
13	STUD, ARMATURE THROUGH		
	520-0660	1	Key 1, 2, 5
	520-0667	1	Key 3, 6
	520-0697	1	Key 4
14	104-0091	1	Nut, Armature Through Stud
15	520-0632	2	Stud, Generator Frame to Adapter - Key 1, 2, 3, 5, 6
16	232-1557	2	Clip, End Bell Cover
17	231-0116	1	Adapter, Generator to Engine - Key 1, 2, 3, 5, 6
17A	231-0144	1	Adapter, Generator to Engine - Key 4
18	COVER, GENERATOR END		
	234-0243	1	Key 1, 2, 3, 5, 6 - 120 Volt
	234-0258	1	Key 1, 2, 3, 5, 6 - 240 Volt
	234-0456	1	Key 3, 6 - 120/240 Volt
18A	234-0329	1	Cover, Generator End - Key 4
19	RECEPTACLE		
	323-0213	1	Key 1, 2, 3, 5, 6 - 240 Volt
	323-0383	1	Key 1, 2, 3, 5, 6 - 120 Volt
	323-0213	2	Key 4 - 240 Volt
	323-0383	2	Key 4 - 120 Volt
	323-0213	1	Key 3, 4, 6 - 120/240 Volt (2 Tandem Blades and Grounding Pin)
	323-0184	1	Key 3, 4, 6 - 120/240 Volt (2 Parallel Blades and Grounding Pin)
20	COVER, RECEPTACLE BOX		
	330-0016	1	Key 1, 2, 3, 5, 6 - 240 Volt
	330-0042	1	Key 3, 6 - 120/240 Volt, Key 4 - All
21	332-0878	1	Strip, Connector, Rectifiers
22	COLLECTOR RING		
	204-0097	1	All Except 120/240 Volt
	204-0101	1	120/240 Volt
23	332-0050	1	Clip, Tinnerman - Key 1, 2, 5
24	508-0008	1	Grommet, Receptacle Box - 240 Volt, Key 4 - 120 Volt
25	330-0028	1	Box, Receptacle - Key 3, 6 - 120/240 Volt, Key 4 - All
26	301-1870	1	Bracket, Receptacle Box - Key 3, 6 - 120/240 Volt, Key 4 - All
27	WASHER, LOCK		
	850-0040	4	Generator Frame to Adapter (1/4")
	850-0050	1	Armature Through Stud (3/8")
	850-0045	4	Generator to Engine (5/16")
28	115-0025	2	Nut, Generator Frame to Adapter (1/4-28)
29	SCREW, HEX HEAD		
	801-0027	4	Generator to Engine (5/16-24 x 7/8")
	800-0030	4	Pole Shoe Mounting - Key 1, 2, 5 (5/16-18 x 1-1/4")
	800-0051	4	Pole Shoe Mounting - Key 3, 4, 6 (3/8-16 x 1-1/4")
30	526-0029	1	Washer, Armature Through Stud
31	332-0142	1	Terminal, Ground

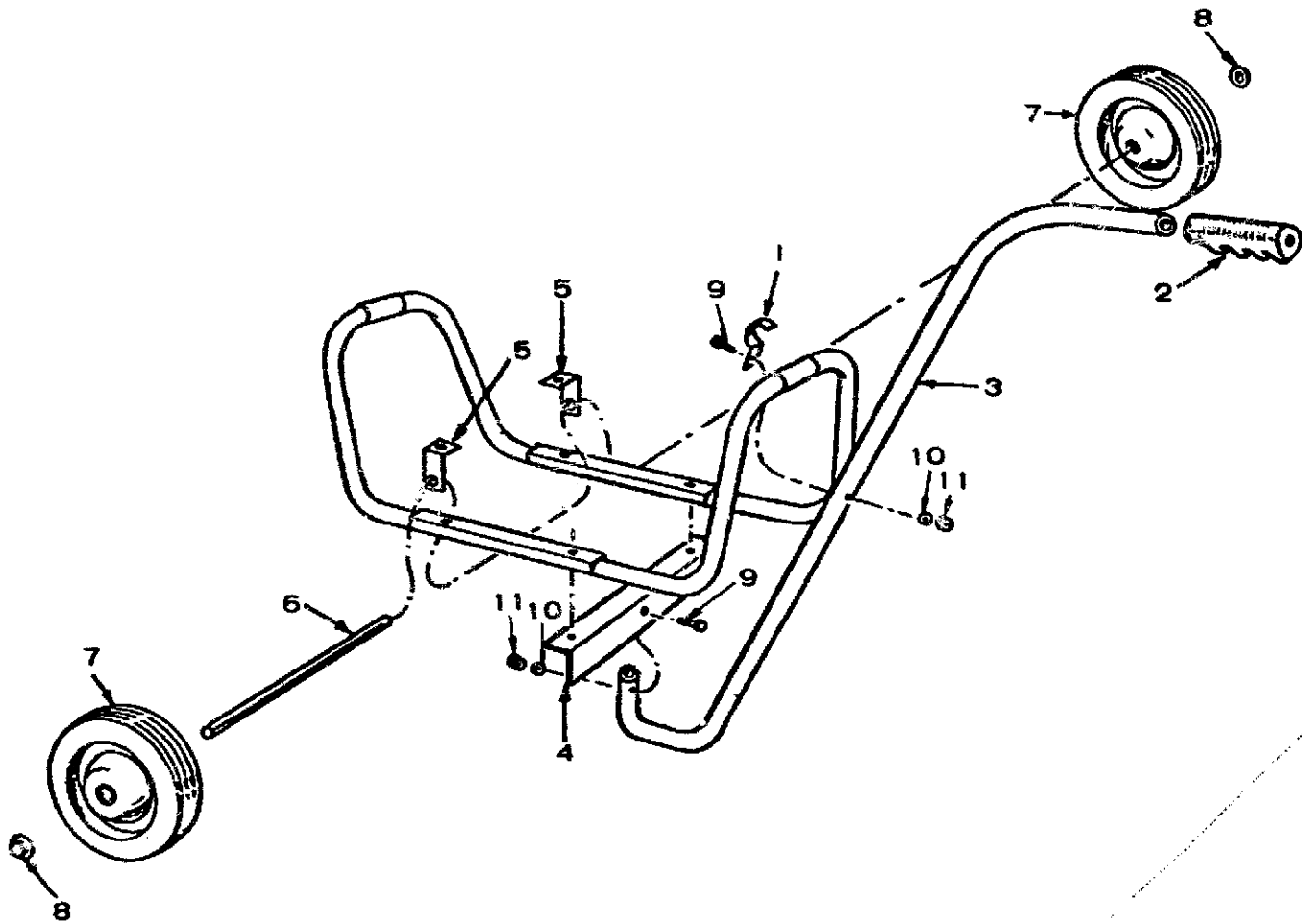
* - For components contact your nearest Tecumseh dealer or Tecumseh Products Company, Grafton, Wisconsin.



CARRYING FRAME GROUP (OPTIONAL EQUIPMENT)

REF. NO.	PART NO.	QTY. USED	PART DESCRIPTION
1	402-0076	4	Cushion, Rubber Mtg. Upper
2	CUSHION, RUBBER MOUNTING - LOWER		
	402-0144	2	Engine End
	402-0045	2	Generator End
3	402-0140	2	Cup, Metal - Lower Mounting - Generator End
4	SPACER, MOUNTING CUSHION		
	402-0142	2	Engine End
	402-0141	2	Generator End
5	402-0171	4	Support, Engine Mtg. Channel
6	CHANNEL, ENGINE MOUNTING		
	402-0170	2	Key 1, 2, 3, 5, 6
	402-0357	2	Key 4
7	403-0743	1	Frame, Carrying - Key 1, 2, 3, 5, 6
7A	FRAME, CARRYING - GENERATOR END - KEY 4		
	403-0880	1	Spec A Only
	403-0879	1	Begin Spec B
7B	403-0879	1	Frame, Carrying - Engine End - Key 4
8	403-0770	1	Cup & Bracket Assy., Engine Mtg. - Key 1, 2, 3, 5, 6

REF. NO.	PART NO.	QTY. USED	PART DESCRIPTION
8A	CUP & BRACKET ASSEMBLY, ENGINE MOUNTING - KEY 4		
	403-0863	1	Spec A Only
	403-0925	1	Begin Spec B
9	CABLE, GROUND		
	337-0087	1	Key 1, 2, 3, 5, 6
	337-0051	1	Key 4
10	SUPPORT, GENERATOR		
	232-1282	1	Key 1, 2, 3, 5, 6
	232-2022	1	Key 4
11	BOLT, CARRIAGE		
	816-0110	2	Channel Mounting, Generator End (5/16-18 x 3-1/2") - Key 1, 2, 3, 5, 6
	816-0111	2	Channel Mounting, Engine End (5/16-18 x 3-3/4") - Key 1, 2, 3, 5, 6
	816-0110	4	Channel Mounting (5/16-18 x 3-1/2") - Key 4
12	850-0046	4	Washer, Lock (5/16") - Channel Mounting
13	862-0015	4	Nut (5/16-18) - Channel Mtg.
14	526-0041	4	Washer (5/16") - Channel Mtg.



DOLLY GROUP (OPTIONAL EQUIPMENT)

REF. NO.	PART NO.	QTY. USED	PART DESCRIPTION
	410-0303	1	Kit, Two Wheel Dolly - Complete
1	123-0570	1	Clamp, Frame to Handle
2	403-0205	1	Grip, Handle
3	410-0295	1	Handle, Dolly
4	410-0297	1	Bracket, Handle Mounting
5	410-0298	2	Bracket, Wheel Mounting
6	410-0299	1	Axle, Dolly
7	410-0300	2	Wheel
8	870-0207	2	Pushnut
9	800-0009	2	Screw (1/4-20 x 1-1/2")
10	850-0040	2	Washer (1/4"), Lock
11	862-0001	2	Nut (1/4-20)

SPEC. PARTS DATA INDEX NO. 72

MODEL	SPEC.	FICHE LOCATION
1TA-51P	1A	2 D1
1TA-52P	1A	2 D2
1.6TE-51P	1A	2 D3
1.6TE-52P	1A	2 D4
2TC-51P	1A	2 D5
2TC-52P	1A	2 D6
2TC-53P	1A	2 D7
2.0TE-1P	1A	2 D8
2.0TE-2P	1A	2 D9
2.3TF-51P	1A	2 D10
2.3TF-53P	1A	2 D11
2.8TF-1P	1A	2 D12
2.8TF-2P	1A	2 D13
2.8TF-3P	1A	2 D14
3TD-52P	1A	2 E1
3TD-53P	1A	2 E2
3.2TD-52P	1A	2 E3
3.2TD-53P	1A	2 E4
4.0TD-1P	1A	2 E5
4.0TD-2P	1A	2 E6
4.0TD-3P	1A	2 E7
102TA-1P	1A	2 E8
102TA-2P	1A	2 E9
104TB-51P	1A	2 E10
104TB-52P	1A	2 E11
107TB-1P	1A	2 E12
107TB-2P	1A	2 E13
203TF-52P	1A	2 E14
205TC-1P	1A	2 F1
205TC-2P	1A	2 F2
205TC-3P	1A	2 F3
1.5TA-1P	1B	2 F4
2TB-1P	1B	2 F5
2TB-2P	1B	2 F6
3.2TD-53P	1B	2 F7
4.0TD-1P	1B	2 F8
4.0TD-3P	1B	2 F9
102TA-51P	1B	2 F10
102TA-52P	1B	2 F11
104TB-51P	1B	2 F12
104TB-52P	1B	2 F13
105TA-2P	1B	2 F14
105TB-52P	1B	2 G1
107TB-1P	1B	2 G2
107TB-2P	1B	2 G3
205TC-1P	525A	2 G4
3TC-1P	1616A	2 G5
3TC-3P	1616A	2 G6
2TE-1P	7542A	2 G7

MODEL	SPEC.	FICHE LOCATION
105TA-1P	7542B	2 G8
4TD-3P	7593A	2 G9
2.8TF-3P	8000A	2 G10
4.0TD-1P	8000B	2 G11
4.0TD-3P	8000B	2 G12

SPECIAL PARTS LIST FOR MODEL 1TA-51P SPEC 1A
 FOR STANDARD PARTS REFER TO CATALOG 919-0301 KEY NO. 1
 (PARTS CATALOG ALSO CONTAINS COMPONENTS FOR MAJOR OPTIONAL FEATURES LISTED BELOW)
 WIRING DIAGRAM NO. (AC)601-0145

PART NO.	QTY.	DESCRIPTION	PART NO.	QTY.	DESCRIPTION
----------	------	-------------	----------	------	-------------

Standard Model

SPECIAL PARTS LIST FOR **MODEL** 1TA-52P **SPEC** 1A
 FOR STANDARD PARTS REFER TO **CATALOG** 919-0301 **KEY NO.** 1
 (PARTS CATALOG ALSO CONTAINS COMPONENTS FOR MAJOR OPTIONAL FEATURES LISTED BELOW)
WIRING DIAGRAM NO. (AC)601-0162

PART NO.	QTY.	DESCRIPTION	PART NO.	QTY.	DESCRIPTION
Standard Model					

SPECIAL PARTS LIST FOR MODEL 1.6TE-51P SPEC 1A
 FOR STANDARD PARTS REFER TO CATALOG 919-0301 KEY NO. 5
 (PARTS CATALOG ALSO CONTAINS COMPONENTS FOR MAJOR OPTIONAL FEATURES LISTED BELOW)

WIRING DIAGRAM NO. (AC)601-0145

PART NO.	QTY.	DESCRIPTION	PART NO.	QTY.	DESCRIPTION
Standard Model					

SPECIAL PARTS LIST FOR MODEL 1.6TE-52P SPEC 1A
 FOR STANDARD PARTS REFER TO CATALOG 919-0301 KEY NO. 5
 (PARTS CATALOG ALSO CONTAINS COMPONENTS FOR MAJOR OPTIONAL FEATURES LISTED BELOW)
 WIRING DIAGRAM NO. (AC)601-0162

PART NO.	QTY.	DESCRIPTION	PART NO.	QTY.	DESCRIPTION
Standard Model					

SPECIAL PARTS LIST FOR MODEL 2TC-51P SPEC 1A
 FOR STANDARD PARTS REFER TO CATALOG 919-0301 KEY NO. 3
 (PARTS CATALOG ALSO CONTAINS COMPONENTS FOR MAJOR OPTIONAL FEATURES LISTED BELOW)
 WIRING DIAGRAM NO. (AC)601-0145

PART NO.	QTY.	DESCRIPTION	PART NO.	QTY.	DESCRIPTION
Standard Model					

SPECIAL PARTS LIST FOR MODEL 2TC-52P SPEC 1A
 FOR STANDARD PARTS REFER TO CATALOG 919-0301 KEY NO. 3
 (PARTS CATALOG ALSO CONTAINS COMPONENTS FOR MAJOR OPTIONAL FEATURES LISTED BELOW)

WIRING DIAGRAM NO. (AC)601-0162

PART NO.	QTY.	DESCRIPTION	PART NO.	QTY.	DESCRIPTION
Standard Model					

SPECIAL PARTS LIST FOR MODEL 2TC-53P SPEC 1A
 FOR STANDARD PARTS REFER TO CATALOG 919-0301 KEY NO. 3
 (PARTS CATALOG ALSO CONTAINS COMPONENTS FOR MAJOR OPTIONAL FEATURES LISTED BELOW)

WIRING DIAGRAM NO. (AC)601-0171

PART NO.	QTY.	DESCRIPTION	PART NO.	QTY.	DESCRIPTION
Standard Model					

SPECIAL PARTS LIST FOR MODEL 2.0TE-1P SPEC 1A
 FOR STANDARD PARTS REFER TO CATALOG 919-0301 KEY NO. 5
 (PARTS CATALOG ALSO CONTAINS COMPONENTS FOR MAJOR OPTIONAL FEATURES LISTED BELOW)
 WIRING DIAGRAM NO. (AC)601-0145

PART NO.	QTY.	DESCRIPTION	PART NO.	QTY.	DESCRIPTION
		Standard Model			

SPECIAL PARTS LIST FOR MODEL 2.0TE-2P SPEC 1A
 FOR STANDARD PARTS REFER TO CATALOG 919-0301 KEY NO. 5
 (PARTS CATALOG ALSO CONTAINS COMPONENTS FOR MAJOR OPTIONAL FEATURES LISTED BELOW)

WIRING DIAGRAM NO. (AC)601-0162

PART NO.	QTY.	DESCRIPTION	PART NO.	QTY.	DESCRIPTION
		Standard Model			

SPECIAL PARTS LIST FOR MODEL 2.3TF-51P SPEC 1A
 FOR STANDARD PARTS REFER TO CATALOG 919-0301 KEY NO. 6
 (PARTS CATALOG ALSO CONTAINS COMPONENTS FOR MAJOR OPTIONAL FEATURES LISTED BELOW)

WIRING DIAGRAM NO. (AC)601-0191

PART NO.	QTY.	DESCRIPTION	PART NO.	QTY.	DESCRIPTION
----------	------	-------------	----------	------	-------------

Standard Model



SPECIAL PARTS LIST FOR MODEL 2.3TF-53P SPEC 1A
 FOR STANDARD PARTS REFER TO CATALOG 919-0301 KEY NO. 6
 (PARTS CATALOG ALSO CONTAINS COMPONENTS FOR MAJOR OPTIONAL FEATURES LISTED BELOW)

WIRING DIAGRAM NO. (AC)601-0193-01

PART NO.	QTY.	DESCRIPTION	PART NO.	QTY.	DESCRIPTION
Standard Model					

SPECIAL PARTS LIST FOR MODEL 2.8TF-1P SPEC 1A
 FOR STANDARD PARTS REFER TO CATALOG 919-0301 KEY NO. 6
 (PARTS CATALOG ALSO CONTAINS COMPONENTS FOR MAJOR OPTIONAL FEATURES LISTED BELOW)
 WIRING DIAGRAM NO. (AC)601-0191

PART NO.	QTY.	DESCRIPTION	PART NO.	QTY.	DESCRIPTION
		Standard Model			

SPECIAL PARTS LIST FOR MODEL 2.8TF-2P SPEC 1A
 FOR STANDARD PARTS REFER TO CATALOG 919-0301 KEY NO. 6
 (PARTS CATALOG ALSO CONTAINS COMPONENTS FOR MAJOR OPTIONAL FEATURES LISTED BELOW)
 WIRING DIAGRAM NO. (AC) 601-0192

PART NO.	QTY.	DESCRIPTION	PART NO.	QTY.	DESCRIPTION
		Standard Model			

SPECIAL PARTS LIST FOR MODEL 2.8TF-3P SPEC 1A
 FOR STANDARD PARTS REFER TO CATALOG 919-0301 KEY NO. 6
 (PARTS CATALOG ALSO CONTAINS COMPONENTS FOR MAJOR OPTIONAL FEATURES LISTED BELOW)

WIRING DIAGRAM NO. (AC)601-0193

PART NO.	QTY.	DESCRIPTION	PART NO.	QTY.	DESCRIPTION
Standard Model					

SPECIAL PARTS LIST FOR MODEL 3TD-52P SPEC 1A
 FOR STANDARD PARTS REFER TO CATALOG 919-0301 KEY NO. 4
 (PARTS CATALOG ALSO CONTAINS COMPONENTS FOR MAJOR OPTIONAL FEATURES LISTED BELOW)

WIRING DIAGRAM NO. (AC)601-0189

PART NO.	QTY.	DESCRIPTION	PART NO.	QTY.	DESCRIPTION
----------	------	-------------	----------	------	-------------

Standard Model



SPECIAL PARTS LIST FOR MODEL 3TD-53P SPEC 1A
 FOR STANDARD PARTS REFER TO CATALOG 919-0301 KEY NO. 4
 (PARTS CATALOG ALSO CONTAINS COMPONENTS FOR MAJOR OPTIONAL FEATURES LISTED BELOW)
 WIRING DIAGRAM NO. (AC)601-0190

PART NO.	QTY.	DESCRIPTION	PART NO.	QTY.	DESCRIPTION
		Standard Model			

SPECIAL PARTS LIST FOR MODEL 3.2TD-52P SPEC 1A
 FOR STANDARD PARTS REFER TO CATALOG 919-0301 KEY NO. 4
 (PARTS CATALOG ALSO CONTAINS COMPONENTS FOR MAJOR OPTIONAL FEATURES LISTED BELOW)
 WIRING DIAGRAM NO. (AC)601-0189

PART NO.	QTY.	DESCRIPTION	PART NO.	QTY.	DESCRIPTION
		Standard Model			

SPECIAL PARTS LIST FOR MODEL 3.2TD-53P SPEC 1A
 FOR STANDARD PARTS REFER TO CATALOG 919-0301 KEY NO. 4
 (PARTS CATALOG ALSO CONTAINS COMPONENTS FOR MAJOR OPTIONAL FEATURES LISTED BELOW)
 WIRING DIAGRAM NO. (AC)601-0190

PART NO.	QTY.	DESCRIPTION	PART NO.	QTY.	DESCRIPTION
Standard Model					

SPECIAL PARTS LIST FOR MODEL 4.0TD-1P SPEC 1A
 FOR STANDARD PARTS REFER TO CATALOG 919-0301 KEY NO. 4
 (PARTS CATALOG ALSO CONTAINS COMPONENTS FOR MAJOR OPTIONAL FEATURES LISTED BELOW)
 WIRING DIAGRAM NO. (AC)601-0188

PART NO.	QTY.	DESCRIPTION	PART NO.	QTY.	DESCRIPTION
		Standard Model			

SPECIAL PARTS LIST FOR MODEL 4.0TD-2P SPEC 1A
 FOR STANDARD PARTS REFER TO CATALOG 919-0301 KEY NO. 4
 (PARTS CATALOG ALSO CONTAINS COMPONENTS FOR MAJOR OPTIONAL FEATURES LISTED BELOW)
 WIRING DIAGRAM NO. (AC) 601-0189

PART NO.	QTY.	DESCRIPTION	PART NO.	QTY.	DESCRIPTION
----------	------	-------------	----------	------	-------------

Standard Model

SPECIAL PARTS LIST FOR **MODEL** 4.0TD-3P **SPEC** 1A
 FOR STANDARD PARTS REFER TO **CATALOG** 919-0301 **KEY NO.** 4
 (PARTS CATALOG ALSO CONTAINS COMPONENTS FOR MAJOR OPTIONAL FEATURES LISTED BELOW)
WIRING DIAGRAM NO. (AC)601-0190

PART NO.	QTY.	DESCRIPTION	PART NO.	QTY.	DESCRIPTION
----------	------	-------------	----------	------	-------------

Standard Model

SPECIAL PARTS LIST FOR MODEL 102TA-1P SPEC 1A
 FOR STANDARD PARTS REFER TO CATALOG 919-0301 KEY NO. 1
 (PARTS CATALOG ALSO CONTAINS COMPONENTS FOR MAJOR OPTIONAL FEATURES LISTED BELOW)
 WIRING DIAGRAM NO. (AC) 601-0145

PART NO.	QTY.	DESCRIPTION	PART NO.	QTY.	DESCRIPTION
		Standard Model			

SPECIAL PARTS LIST FOR MODEL 102TA-2P SPEC 1A
 FOR STANDARD PARTS REFER TO CATALOG 919-0301 KEY NO. 1
 (PARTS CATALOG ALSO CONTAINS COMPONENTS FOR MAJOR OPTIONAL FEATURES LISTED BELOW)
 WIRING DIAGRAM NO. (AC)601-0162

PART NO.	QTY.	DESCRIPTION	PART NO.	QTY.	DESCRIPTION
Standard Model					

SPECIAL PARTS LIST FOR **MODEL** 104TB-51P **SPEC** 1A
 FOR STANDARD PARTS REFER TO **CATALOG** 919-0301 **KEY NO.** 2
 (PARTS CATALOG ALSO CONTAINS COMPONENTS FOR MAJOR OPTIONAL FEATURES LISTED BELOW)
WIRING DIAGRAM NO. (AC)601-0145

PART NO.	QTY.	DESCRIPTION	PART NO.	QTY.	DESCRIPTION
Standard Model					

SPECIAL PARTS LIST FOR **MODEL** 104TB-52P **SPEC** 1A
 FOR STANDARD PARTS REFER TO **CATALOG** 919-0301 **KEY NO.** 2
 (PARTS CATALOG ALSO CONTAINS COMPONENTS FOR MAJOR OPTIONAL FEATURES LISTED BELOW)
WIRING DIAGRAM NO. (AC)601-0162

PART NO.	QTY.	DESCRIPTION	PART NO.	QTY.	DESCRIPTION
Standard Model					

SPECIAL PARTS LIST FOR MODEL 107TB-1P SPEC 1A
 FOR STANDARD PARTS REFER TO CATALOG 919-0301 KEY NO. 2
 (PARTS CATALOG ALSO CONTAINS COMPONENTS FOR MAJOR OPTIONAL FEATURES LISTED BELOW
 WIRING DIAGRAM NO. (AC)601-0145

PART NO.	QTY.	DESCRIPTION	PART NO.	QTY.	DESCRIPTION
Standard Model					

SPECIAL PARTS LIST FOR MODEL 107TB-2P SPEC 1A
 FOR STANDARD PARTS REFER TO CATALOG 919-0301 KEY NO. 2
 (PARTS CATALOG ALSO CONTAINS COMPONENTS FOR MAJOR OPTIONAL FEATURES LISTED BELOW)
 WIRING DIAGRAM NO. (AC)601-0162

PART NO.	QTY.	DESCRIPTION	PART NO.	QTY.	DESCRIPTION
Standard Model					

SPECIAL PARTS LIST FOR **MODEL** 203TF-52P **SPEC** 1A
 FOR STANDARD PARTS REFER TO **CATALOG** 919-0301 **KEY NO.** 6
 (PARTS CATALOG ALSO CONTAINS COMPONENTS FOR MAJOR OPTIONAL FEATURES LISTED BELOW)
WIRING DIAGRAM NO. (AC)601-0192

PART NO.	QTY.	DESCRIPTION	PART NO.	QTY.	DESCRIPTION
Standard Model					

SPECIAL PARTS LIST FOR MODEL 205TC-1P SPEC 1A
 FOR STANDARD PARTS REFER TO CATALOG 919-0301 KEY NO. 3
 (PARTS CATALOG ALSO CONTAINS COMPONENTS FOR MAJOR OPTIONAL FEATURES LISTED BELOW)
 WIRING DIAGRAM NO. (AC)601-0145

PART NO.	QTY.	DESCRIPTION	PART NO.	QTY.	DESCRIPTION
----------	------	-------------	----------	------	-------------

Standard Model

SPECIAL PARTS LIST FOR **MODEL** 205TC-2P **SPEC** 1A
 FOR STANDARD PARTS REFER TO **CATALOG** 919-0301 **KEY NO.** 3
 (PARTS CATALOG ALSO CONTAINS COMPONENTS FOR MAJOR OPTIONAL FEATURES LISTED BELOW)

WIRING DIAGRAM NO. (AC)601-0162

PART NO.	QTY.	DESCRIPTION	PART NO.	QTY.	DESCRIPTION
		Standard Model			

SPECIAL PARTS LIST FOR MODEL 205TC-3P SPEC 1A
 FOR STANDARD PARTS REFER TO CATALOG 919-0301 KEY NO. 3
 (PARTS CATALOG ALSO CONTAINS COMPONENTS FOR MAJOR OPTIONAL FEATURES LISTED BELOW)
 WIRING DIAGRAM NO. (AC)601-0171

PART NO.	QTY.	DESCRIPTION	PART NO.	QTY.	DESCRIPTION
		Standard Model			

SPECIAL PARTS LIST FOR **MODEL** 1.5TA-1P **SPEC** 1B
 FOR STANDARD PARTS REFER TO **CATALOG** 919-0301 **KEY NO.** I
 (PARTS CATALOG ALSO CONTAINS COMPONENTS FOR MAJOR OPTIONAL FEATURES LISTED BELOW)

WIRING DIAGRAM NO. (AC) 601-0145

PART NO.	QTY.	DESCRIPTION	PART NO.	QTY.	DESCRIPTION
----------	------	-------------	----------	------	-------------

Standard Model

SPECIAL PARTS LIST FOR MODEL 2TB-1P SPEC 1B
 FOR STANDARD PARTS REFER TO CATALOG 919-0301 KEY NO. 2
 (PARTS CATALOG ALSO CONTAINS COMPONENTS FOR MAJOR OPTIONAL FEATURES LISTED BELOW)

WIRING DIAGRAM NO. (AC)601-0145

PART NO.	QTY.	DESCRIPTION	PART NO.	QTY.	DESCRIPTION
----------	------	-------------	----------	------	-------------

Standard Model

SPECIAL PARTS LIST FOR MODEL 2TB-2P SPEC 1B
 FOR STANDARD PARTS REFER TO CATALOG 919-0301 KEY NO. 2
 (PARTS CATALOG ALSO CONTAINS COMPONENTS FOR MAJOR OPTIONAL FEATURES LISTED BELOW)

WIRING DIAGRAM NO. (AC)601-0162

PART NO.	QTY.	DESCRIPTION	PART NO.	QTY.	DESCRIPTION
----------	------	-------------	----------	------	-------------

Standard Model

SPECIAL PARTS LIST FOR MODEL 3.2TD-53P SPEC 1B
 FOR STANDARD PARTS REFER TO CATALOG 919-0301 KEY NO. 4
 (PARTS CATALOG ALSO CONTAINS COMPONENTS FOR MAJOR OPTIONAL FEATURES LISTED BELOW)
 WIRING DIAGRAM NO. (AC)601-0190-01

PART NO.	QTY.	DESCRIPTION	PART NO.	QTY.	DESCRIPTION
		Standard Model			

SPECIAL PARTS LIST FOR **MODEL** 4.0TD-1P **SPEC** 1B
 FOR STANDARD PARTS REFER TO **CATALOG** 919-0301 **KEY NO.** 4
 (PARTS CATALOG ALSO CONTAINS COMPONENTS FOR MAJOR OPTIONAL FEATURES LISTED BELOW)
WIRING DIAGRAM NO. (AC)601-0188-01

PART NO.	QTY.	DESCRIPTION	PART NO.	QTY.	DESCRIPTION
----------	------	-------------	----------	------	-------------

Standard Model

SPECIAL PARTS LIST FOR MODEL 4.0TD-3P SPEC 1B
 FOR STANDARD PARTS REFER TO CATALOG 919-0301 KEY NO. 4
 (PARTS CATALOG ALSO CONTAINS COMPONENTS FOR MAJOR OPTIONAL FEATURES LISTED BELOW;
 WIRING DIAGRAM NO. (AC) 601-0190-01

PART NO.	QTY.	DESCRIPTION	PART NO.	QTY.	DESCRIPTION
		Standard Model			

SPECIAL PARTS LIST FOR MODEL 102TA-51P SPEC 1B
 FOR STANDARD PARTS REFER TO CATALOG 919-0301 KEY NO. 1
 (PARTS CATALOG ALSO CONTAINS COMPONENTS FOR MAJOR OPTIONAL FEATURES LISTED BELOW)
 WIRING DIAGRAM NO. (AC)601-0145

PART NO.	QTY.	DESCRIPTION	PART NO.	QTY.	DESCRIPTION
Standard Model					

SPECIAL PARTS LIST FOR MODEL 102TA-52P SPEC 1B
 FOR STANDARD PARTS REFER TO CATALOG 919-0301 KEY NO. 1
 (PARTS CATALOG ALSO CONTAINS COMPONENTS FOR MAJOR OPTIONAL FEATURES LISTED BELOW)
 WIRING DIAGRAM NO. (AC)601-0162

PART NO.	QTY.	DESCRIPTION	PART NO.	QTY.	DESCRIPTION
----------	------	-------------	----------	------	-------------

Standard Model

SPECIAL PARTS LIST FOR MODEL 104TB-51P SPEC 1B
 FOR STANDARD PARTS REFER TO CATALOG 919-0301 KEY NO. 2
 (PARTS CATALOG ALSO CONTAINS COMPONENTS FOR MAJOR OPTIONAL FEATURES LISTED BELOW)
 WIRING DIAGRAM NO. (AC)601-0145

PART NO.	QTY.	DESCRIPTION	PART NO.	QTY.	DESCRIPTION
Standard Model					

SPECIAL PARTS LIST FOR **MODEL** 104TB-52P **SPEC** 1B
 FOR STANDARD PARTS REFER TO **CATALOG** 919-0301 **KEY NO.** 2
 (PARTS CATALOG ALSO CONTAINS COMPONENTS FOR MAJOR OPTIONAL FEATURES LISTED BELOW)
WIRING DIAGRAM NO. (AC) 601-0162

PART NO.	QTY.	DESCRIPTION	PART NO.	QTY.	DESCRIPTION
----------	------	-------------	----------	------	-------------

Standard Model

SPECIAL PARTS LIST FOR MODEL 105TA-2P SPEC 1B
 FOR STANDARD PARTS REFER TO CATALOG 919-0301 KEY NO. 1
 (PARTS CATALOG ALSO CONTAINS COMPONENTS FOR MAJOR OPTIONAL FEATURES LISTED BELOW)
 WIRING DIAGRAM NO. (AC)601-0162

PART NO.	QTY.	DESCRIPTION	PART NO.	QTY.	DESCRIPTION
		Standard Model			

SPECIAL PARTS LIST FOR MODEL 105TB-52P SPEC 1B
 FOR STANDARD PARTS REFER TO CATALOG 919-0301 KEY NO. 2
 (PARTS CATALOG ALSO CONTAINS COMPONENTS FOR MAJOR OPTIONAL FEATURES LISTED BELOW)

WIRING DIAGRAM NO. (AC)601-0162

PART NO.	QTY.	DESCRIPTION	PART NO.	QTY.	DESCRIPTION
----------	------	-------------	----------	------	-------------

Standard Model

SPECIAL PARTS LIST FOR MODEL 107TB-1P SPEC 1B
 FOR STANDARD PARTS REFER TO CATALOG 919-0301 KEY NO. 2
 (PARTS CATALOG ALSO CONTAINS COMPONENTS FOR MAJOR OPTIONAL FEATURES LISTED BELOW)
 WIRING DIAGRAM NO. (AC)601-0145

PART NO.	QTY.	DESCRIPTION	PART NO.	QTY.	DESCRIPTION
Standard Model					

SPECIAL PARTS LIST FOR MODEL 107TB-2P SPEC 1B
 FOR STANDARD PARTS REFER TO CATALOG 919-0301 KEY NO. 2
 (PARTS CATALOG ALSO CONTAINS COMPONENTS FOR MAJOR OPTIONAL FEATURES LISTED BELOW)
 WIRING DIAGRAM NO. (AC)601-0162

PART NO.	QTY.	DESCRIPTION	PART NO.	QTY.	DESCRIPTION
----------	------	-------------	----------	------	-------------

Standard Model

SPECIAL PARTS LIST FOR MODEL 205TC-1P SPEC 525A
 FOR STANDARD PARTS REFER TO CATALOG 919-0301 KEY NO. 3
 (PARTS CATALOG ALSO CONTAINS COMPONENTS FOR MAJOR OPTIONAL FEATURES LISTED BELOW)
 WIRING DIAGRAM NO. (AC)601-0145

PART NO.	QTY.	DESCRIPTION	PART NO.	QTY.	DESCRIPTION
212-0336	1	Rig Assembly, Brush (Includes Parts Marked *)			
214-0072	4	*Brush, Collector Ring			
212-1105	4	*Spring, Collector Ring Brush			

SPECIAL PARTS LIST FOR MODEL 3TC-1P SPEC 1616A
 FOR STANDARD PARTS REFER TO CATALOG 919-0301 KEY NO. 3
 (PARTS CATALOG ALSO CONTAINS COMPONENTS FOR MAJOR OPTIONAL FEATURES LISTED BELOW)

WIRING DIAGRAM NO. (AC)601-0145

PART NO.	QTY.	DESCRIPTION	PART NO.	QTY.	DESCRIPTION
100-0782	1	Engine, Complete (Tecumseh #H70-130034)			

SPECIAL PARTS LIST FOR MODEL 3TC-3P SPEC 1616A
 FOR STANDARD PARTS REFER TO CATALOG 919-0301 KEY NO. 3
 (PARTS CATALOG ALSO CONTAINS COMPONENTS FOR MAJOR OPTIONAL FEATURES LISTED BELOW)
 WIRING DIAGRAM NO. (AC)601-0145

PART NO.	QTY.	DESCRIPTION	PART NO.	QTY.	DESCRIPTION
100-0782	1	Engine, Complete (Tecumseh #H70-130034)			

SPECIAL PARTS LIST FOR MODEL 2TE-1P SPEC 7542A
 FOR STANDARD PARTS REFER TO CATALOG 919-0301 KEY NO. 5
 (PARTS CATALOG ALSO CONTAINS COMPONENTS FOR MAJOR OPTIONAL FEATURES LISTED BELOW)
 WIRING DIAGRAM NO. (AC)601-0145

PART NO.	QTY.	DESCRIPTION	PART NO.	QTY.	DESCRIPTION

SPECIAL PARTS LIST FOR MODEL 105TA-1P SPEC 7542B
 FOR STANDARD PARTS REFER TO CATALOG 919-0301 KEY NO. 1
 (PARTS CATALOG ALSO CONTAINS COMPONENTS FOR MAJOR OPTIONAL FEATURES LISTED BELOW)

WIRING DIAGRAM NO. (AC)601-0145

PART NO.	QTY.	DESCRIPTION	PART NO.	QTY.	DESCRIPTION
----------	------	-------------	----------	------	-------------

Manufactured For: Koehring

SPECIAL PARTS LIST FOR MODEL 4TD-3P SPEC 7593A
 FOR STANDARD PARTS REFER TO CATALOG 919-0301 KEY NO. 4
 (PARTS CATALOG ALSO CONTAINS COMPONENTS FOR MAJOR OPTIONAL FEATURES LISTED BELOW)

WIRING DIAGRAM NO. (AC)601-0187

PART NO.	QTY.	DESCRIPTION	PART NO.	QTY.	DESCRIPTION
100-0810	1	Engine, Complete (Tecumseh #HH80-110083)			
212-0340	1	Rig Assembly, Brush (Includes Parts Marked *)			
214-0072	5	*Brush, Collector Ring			
212-1105	5	*Spring, Collector Ring Brush			
201-1591	1	Armature Assembly, Includes Bearing			
210-1944	1	Frame, Generator			
234-0315	1	Cover, Generator End			
301-3085	1	Box, Receptacle			
301-3082	1	Cover, Receptacle Box			
323-0011	1	Receptacle, Twistlock (240 Volt)			
323-0553	1	Receptacle, Twistlock (120 Volt)			

SPECIAL PARTS LIST FOR MODEL 2.8TF-3P SPEC 8000A
FOR STANDARD PARTS REFER TO CATALOG 919-0301 KEY NO. 6
(PARTS CATALOG ALSO CONTAINS COMPONENTS FOR MAJOR OPTIONAL FEATURES LISTED BELOW)

WIRING DIAGRAM NO. (AC)601-0193-01

PART NO.	QTY.	DESCRIPTION	PART NO.	QTY.	DESCRIPTION

SPECIAL PARTS LIST FOR **MODEL** 4.OTD-1P **SPEC** 8000B
 FOR STANDARD PARTS REFER TO **CATALOG** 919-0301 **KEY NO.** 4
 (PARTS CATALOG ALSO CONTAINS COMPONENTS FOR MAJOR OPTIONAL FEATURES LISTED BELOW)
WIRING DIAGRAM NO. (AC)601-0188-01

PART NO.	QTY.	DESCRIPTION	PART NO.	QTY.	DESCRIPTION

SPECIAL PARTS LIST FOR MODEL 4.0TD-3P SPEC 8000B
FOR STANDARD PARTS REFER TO CATALOG 919-0301 KEY NO. 4
(PARTS CATALOG ALSO CONTAINS COMPONENTS FOR MAJOR OPTIONAL FEATURES LISTED BELOW)

WIRING DIAGRAM NO. (AC)601-0190-01

PART NO.	QTY.	DESCRIPTION	PART NO.	QTY.	DESCRIPTION