

The following catalog has gaps in its page numbers, or doesn't have any numbers. We have chosen to leave the page numbering in the order that Acrobat assigns it.

PARTS CATALOG INDEX "P" SERIES (50 HERTZ) NO. 51

FICHE LOCATION	GROUP
A2	GENERATOR SET DATA TABLE
A3	STANDARD PARTS SECTION
B2	BATTERY TRAY (ELECTRIC START MODELS)
B3	CONTROL
B1	END BELL
A3,A4,A5	GENERATOR SET (1.4 PC, 1.8 PE)
A6,A7,A8	GENERATOR SET (2.7 PL, 3.1 PF)
A9,A10,A11	GENERATOR SET (4.1 PK)
A12,A13,A14	GENERATOR SET (5.4 PM)
B2	START SWITCH (ELECTRIC START MODELS)
B4	OPTIONAL PARTS SECTION
B7,B8	BATTERY CHARGER
B5	DOLLY
B5	E-Z TOTE HANDLE
B6	E-Z WHEELER

919-0309 (1-80)
"P" SERIES (50 HERTZ BEGIN SPEC H)
PARTS CATALOG

This catalog applies to the Alternators listed below. Parts are arranged in groups of related items. Each illustrated part is identified by a reference number corresponding to the same reference number in the parts list for that group. Parts Illustrations are typical. To determine correct quantity used column, check alternator nameplate for correct Model number. Right and left plant sides are determined by facing the blower end (front) of alternator.

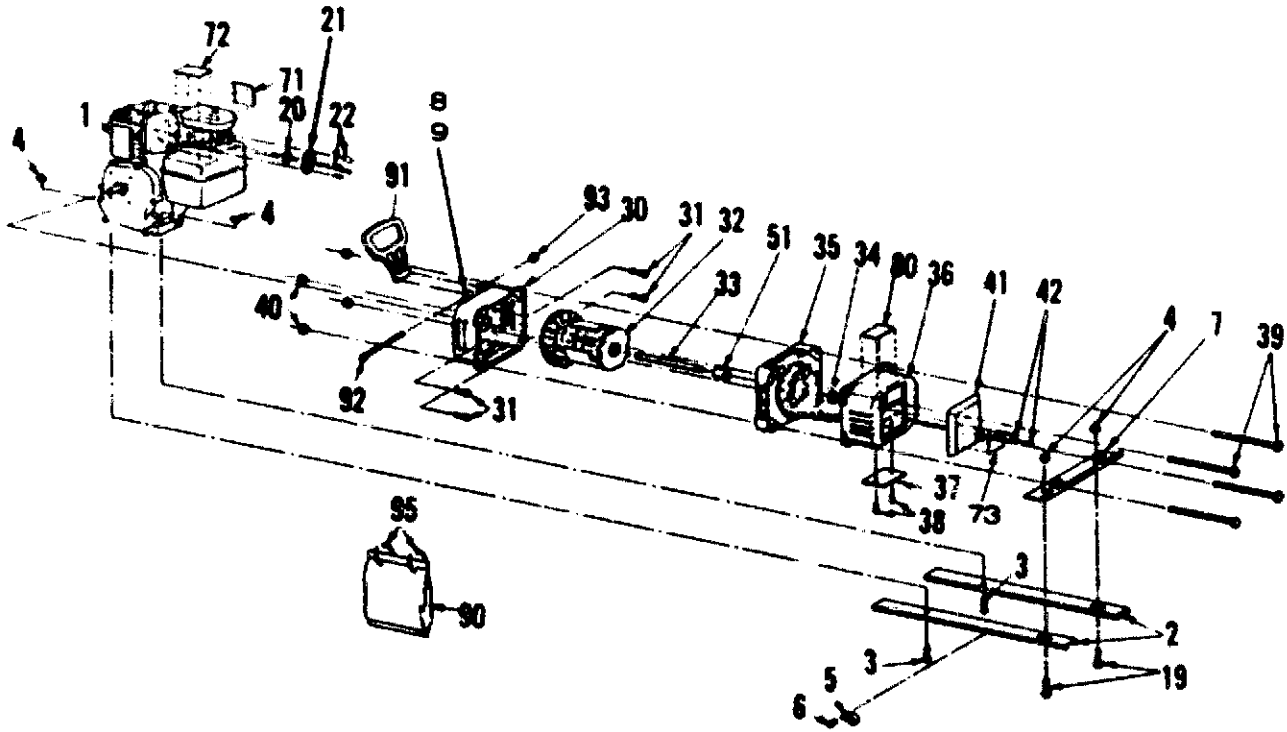
GENERATOR DATA TABLE

MODEL	WATTS	VOLTS	ENGINE H.P.	BRIGGS & STRATTON MODEL NO.	BRIGGS & STRATTON ENG. TYPE NO.	QUANTITY USED COLUMN									
						A	B	C	D	E	F	G	H		
1.4PC-53AP/*	1400	100/200	4	100212	0583-01	X									
1.4PC-53BP/*	1400	110/220													
1.4PC-53CP/*	1400	120/240													
1.8PE-53AP/*	1800	100/200	5	130212	0921-01		X								
1.8PE-53BP/*	1800	110/220													
1.8PE-53CP/*	1800	120/240													
2.7PL-53AP/*	2700	100/200	7	170412	1734-02			X							
2.7PL-53BP/*	2700	110/220													
2.7PL-53CP/*	2700	120/240													
3.1PF-53AP/*	3100	100/200	8	190432	1798-01				X						
3.1PF-53BP/*	3100	110/220													
3.1PF-53CP/*	3100	120/240													
4.1PK-53AP/*	4100	100/200	10	220432	0131-01					X					
4.1PK-53BP/*	4100	110/220													
4.1PK-53CP/*	4100	120/240													
°4.1PK-53AE/*	4100	100/200	10	220435	0130-01						X				
°4.1PK-53BE/*	4100	110/220													
°4.1PK-53CE/*	4100	120/240													
5.4PM-53AP/*	5400	100/200	16	326432	0302-01							X			
5.4PM-53BP/*	5400	110/220													
5.4PM-53CP/*	5400	120/240													
°5.4PM-53AE/*	5400	100/200	16	326435	0296-01								X		
°5.4PM-53BE/*	5400	110/220													
°5.4PM-53CE/*	5400	120/240													

* - The Specification Letter Advances (A to B, B to C, etc.)
with Manufacturing Changes.

° - These Generator Sets are electric starting.

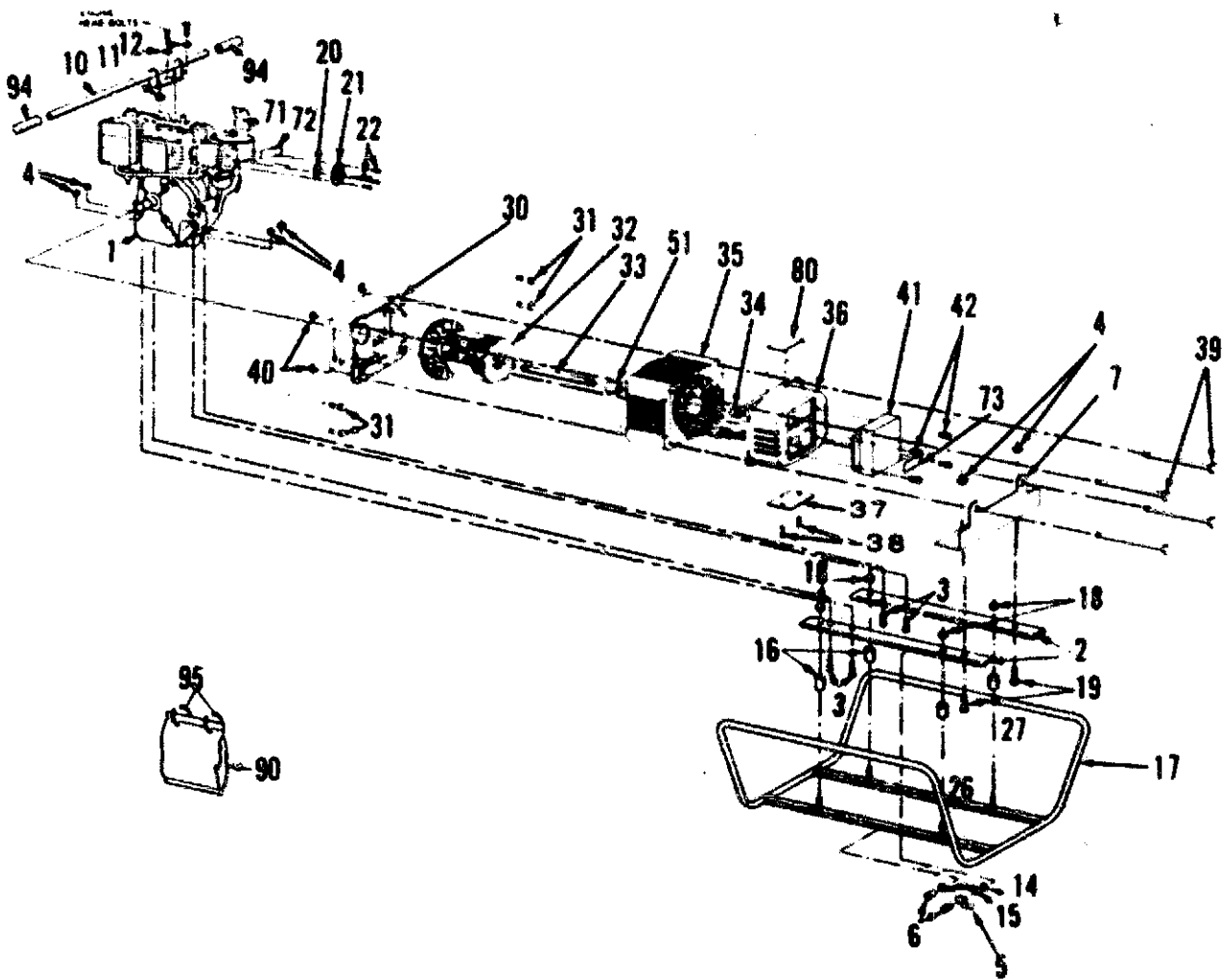
GENERATOR SET (1.4PC, 1.8 PE)



**GENERATOR SET
(1.4PC, 1.8 PE)**

REF NO.	PART NUMBER	PART DESCRIPTION	QUANTITY USED													
			A	B	C	D	E	F	G	H	J	K	L			
71	98-3657	Label, Service Instructions	1													
71	98-3658	Label, Service Instructions		1												
72	98-3674	Label, Air Cleaner	1	1												
73	98-4079	Label, Receptacle Panel	1													
73	98-4080	Label, Receptacle Panel		1												
90		Accessory Package - Containing Parts Indented:	1	1												
	402-0425	Dampener, Vibration	4	4												
	526-0128	Washer, Flat (15/32" ID X 1-1/2" OD X 1/4")	4	4												
	821-0017	Screw, Cap-Hex Head Locking (5/16-18 X 1/2")	4	4												
91	403-1173	Handle Carrying	1	1												
92	800-0021	Screw, Cap-Hex Head (1/4-20 X 4-1/2")	1	1												
93	870-0065	Nut, Hex-Locking (1/4-20)	1	1												
95	332-0941	Tie, Cable	2	2												

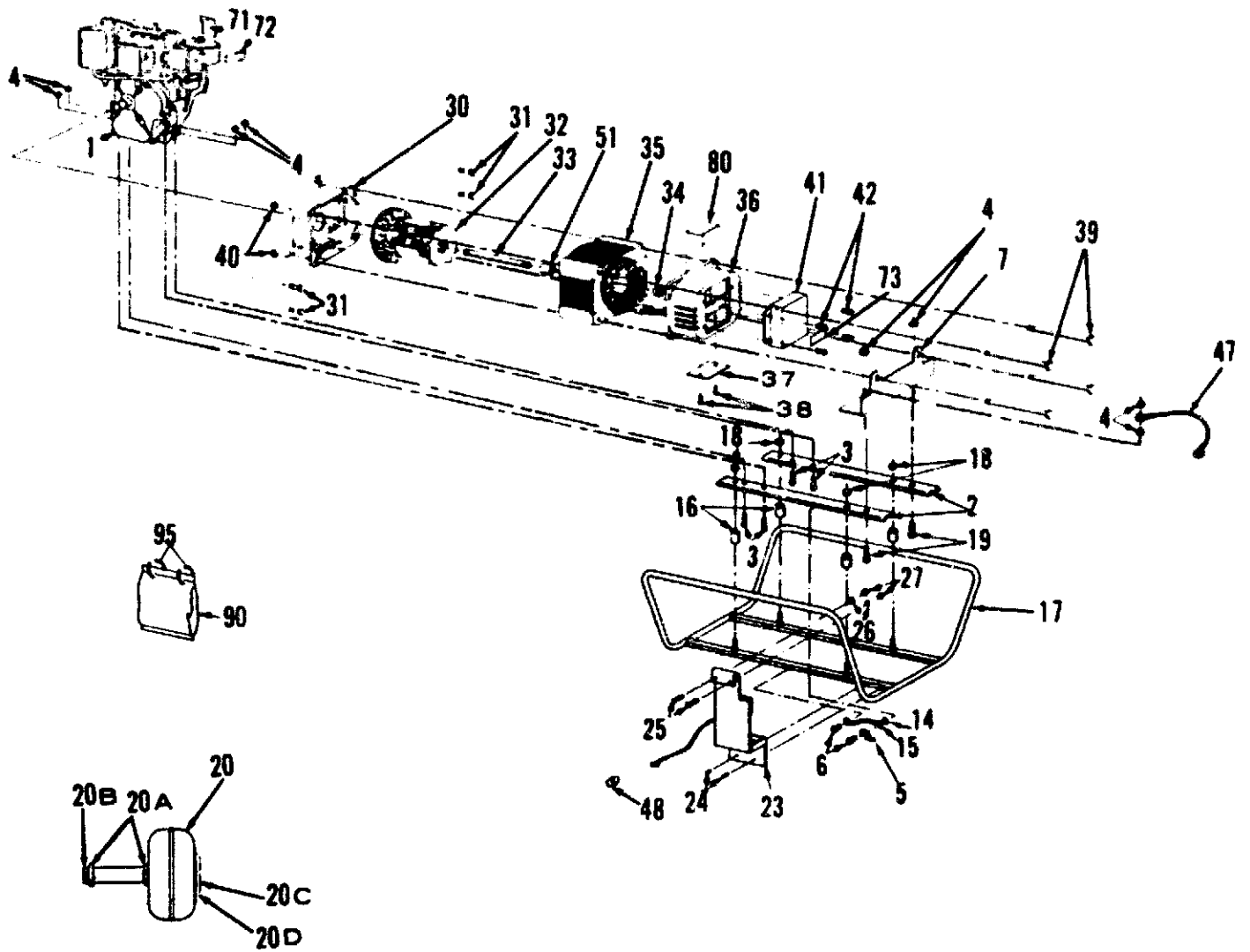
**GENERATOR SET
(2.7 PL, 3.1 PF)**



**GENERATOR SET
(2.7 PL, 3.1 PF)**

REF NO.	PART NUMBER	PART DESCRIPTION	QUANTITY USED													
			A	B	C	D	E	F	G	H	J	K	L			
71	98-3659	Label, Service Instructions			1											
71	98-3660	Label, Service Instructions				1										
72	98-3674	Label, Air Cleaner			1	1										
73	98-4081	Label, Receptacle Panel			1											
73	98-4082	Label, Receptacle Panel				1										
80		Model Identification Plate			1	1										
90		Accessory Package - Containing Indented Parts:														
	402-0425	Dampener, Vibration			1											
	526-0128	Washer, Flat (15/32" ID X 1-1/2" OD X 1/4")			4											
	821-0017	Screw, Cap-Hex Head Locking (5/16-18 X 1/2")			4											
94	403-1477	Grip, Handle			2											
95	332-0941	Tie, Cable			2											

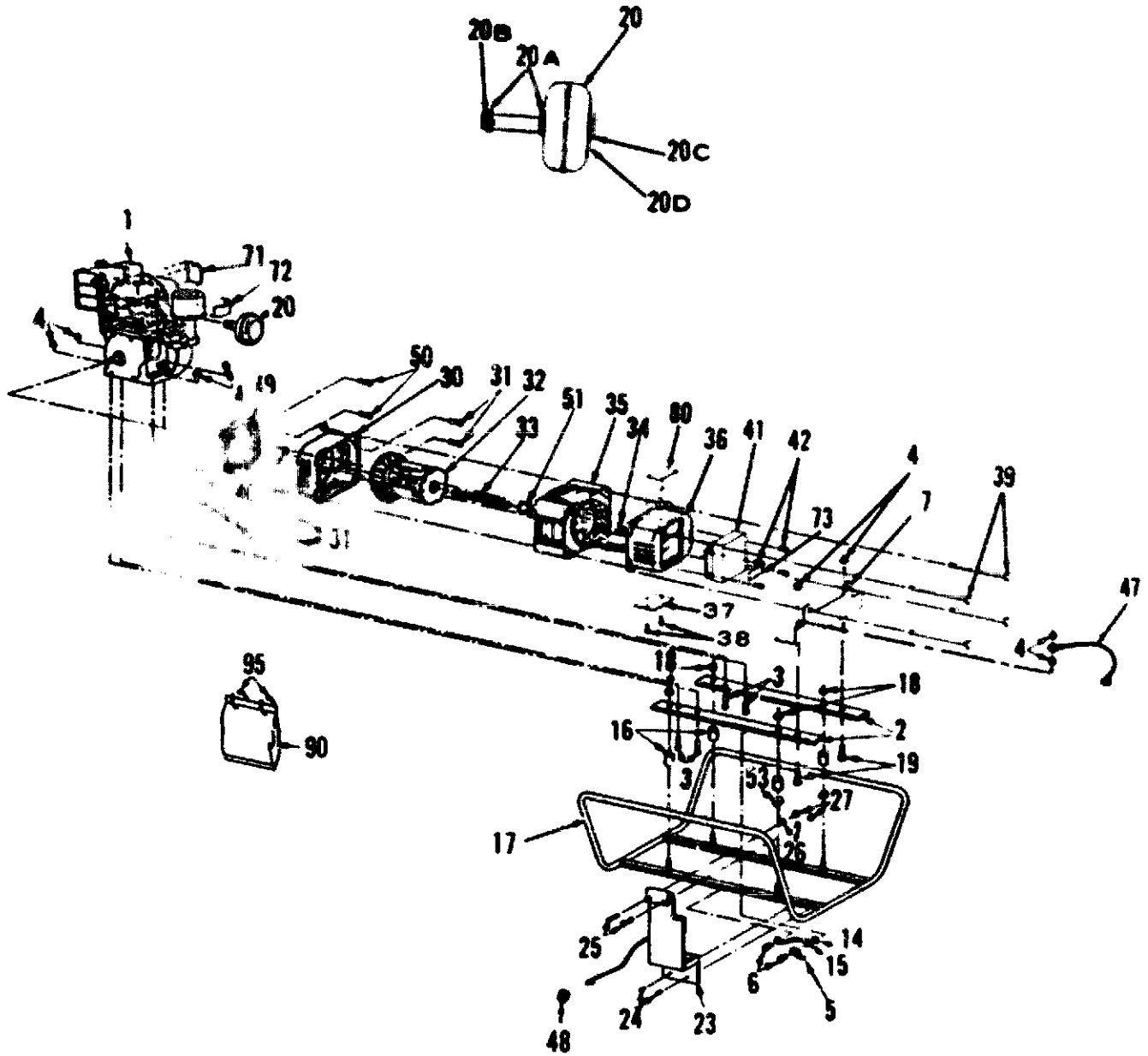
GENERATOR SET (4.1 PK)



**GENERATOR SET
(4.1 PK)**

REF NO.	PART NUMBER	PART DESCRIPTION	QUANTITY USED													
			A	B	C	D	E	F	G	H	J	K	L			
40	870-0232	Nut, Hex W/ET (1/4-20)					4	4								
41	300-1802	Control, Assembly (See Separate Group For Components)					1	1								
42	815-0476	Screw, Cap-Hex Head W/Pilot (#10-32 X 3/8")					4	4								
47	336-4455	Lead						1								
48	508-0148	Grommet, Rubber						1								
51	202-0674	Sleeve, Generator Shaft					1	1								
71	98-3661	Label, Service Instructions					1	1								
72	98-3674	Label, Air Cleaner					1	1								
73	98-4083	Label, Receptacle Panel					1	1								
80		Model Identification Plate					1	1								
90		Accessory Package - Contains Parts Indented:														
	416-0696	Hold-down, Battery							1							
	865-0011	Nut, Wing (#10-32)							2							
	192-0399	Rope, Start							1							
95	332-0941	Tie Cable							2							

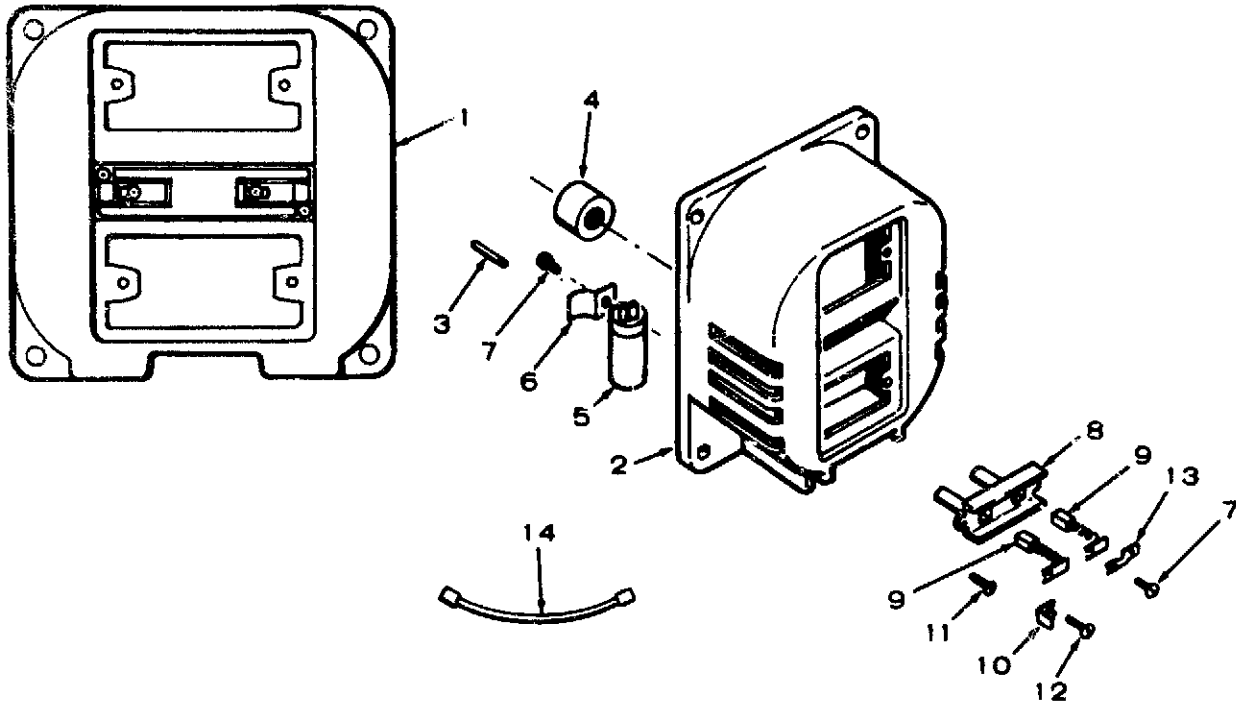
GENERATOR SET (5.4 PM)



**GENERATOR SET
(5.4 PM)**

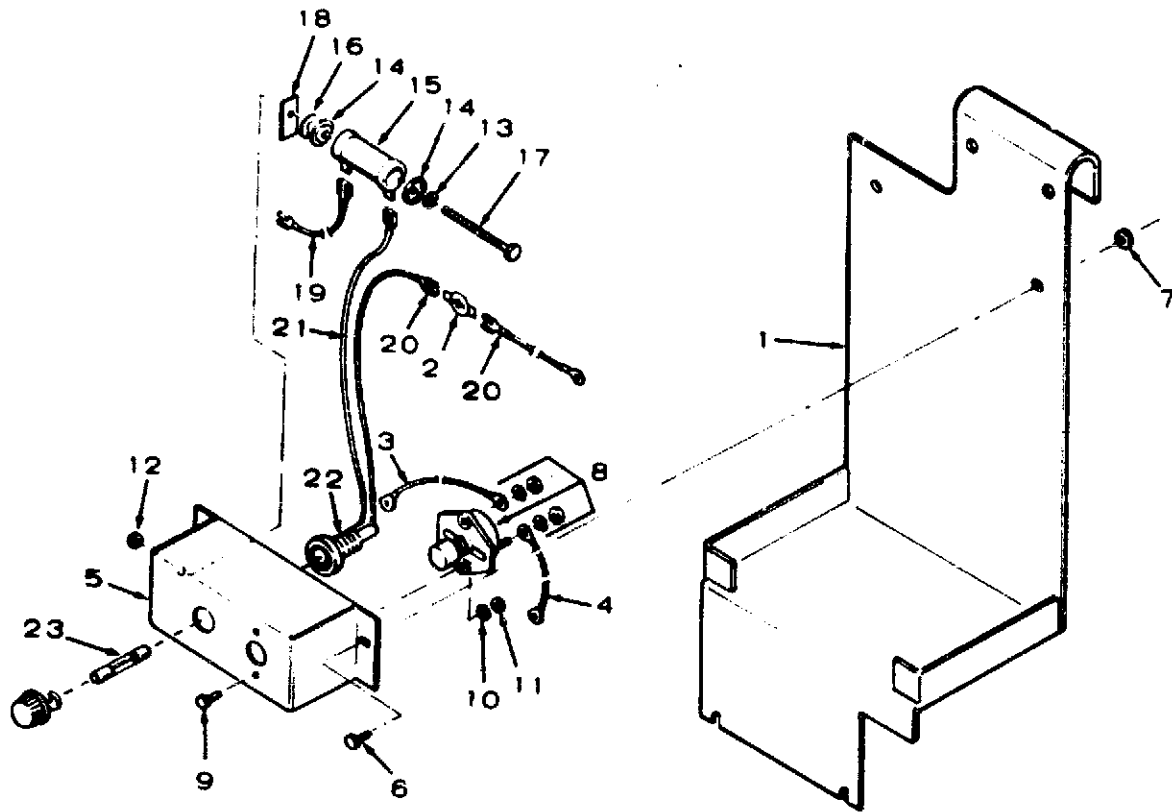
REF NO.	PART NUMBER	PART DESCRIPTION	QUANTITY USED													
			A	B	C	D	E	F	G	H	J	K	L			
40	870-0232	Nut, Hex W/ET (1/4-20)								4	4					
41	300-1802	Control, Assembly (See Separate Group For Components)								1	1					
42	815-0476	Screw, Cap - Hex Head W/Pilot (#10-32 X 3/8")								4	4					
47	336-4455	Lead									1					
48	508-0148	Grommet, Rubber									1					
49	231-0242	Adapter, Engine to Generator								1	1					
50	800-0095	Screw, Cap - Socket Head (7/16-14 X 1")								4	4					
51	202-0674	Sleeve, Generator Shaft								1	1					
53	526-0128	Washer, Flat (15/32" ID X 1-1/2" OD X 1/4")								2	2					
71	98-3662	Label, Service Instructions								1	1					
72	98-3674	Label, Air Cleaner								1	1					
73	98-4084	Label, Receptacle Panel								1	1					
80		Model Identification Plate								1	1					
90		Accessory Package - Contains Parts Indented:										1				
	416-0696	Hold-down, Battery										1				
	865-0011	Nut, Wing (#10-32)										1				
	192-0399	Rope, Start										1				
95	332-0941	Tie Cable										2				

END BELL



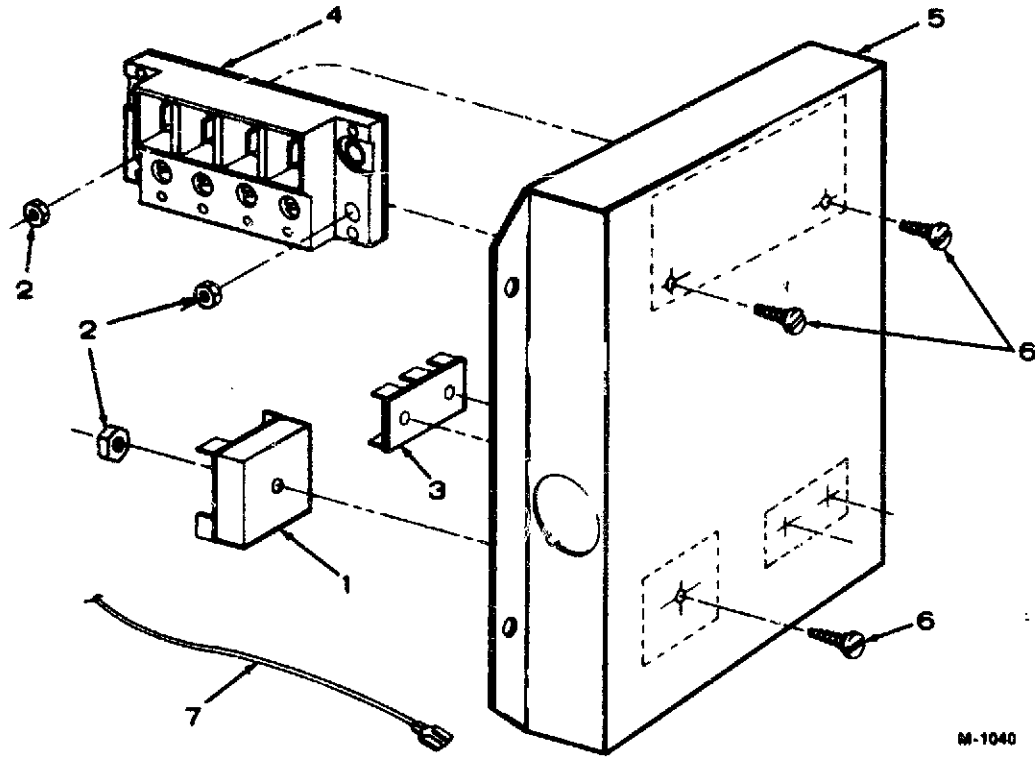
REF NO.	PART NUMBER	PART DESCRIPTION	QUANTITY USED												
			A	B	C	D	E	F	G	H	J	K	L		
1	211-0301	Bell Assembly, Complete	1	1	1	1	1	1	1	1	1	1			
2	211-0313	Bell Only, End	1	1	1	1	1	1	1	1	1	1			
3	516-0196	Pin, Locking - End Bell	4	4	4	4	4	4	4	4	4	4			
4	510-0107	Bearing, Roller	1	1	1	1	1	1	1	1	1	1			
5	356-0056	Capacitor	1	1	1	1	1	1	1	1	1	1			
6	312-0194	Bracket, Capacitor Mounting	1	1	1	1	1	1	1	1	1	1			
7	815-0395	Screw, Tapping - Pan Head (#6 X 3/8")	2	2	2	2	2	2	2	2	2	2			
8	212-1249	Guide, Brush	1	1	1	1	1	1	1	1	1	1			
9	214-0099	Brush	2	2	2	2	2	2	2	2	2	2			
10	332-1564	Terminal, Tab	1	1	1	1	1	1	1	1	1	1			
11	815-0395	Screw, Tapping - Pan Head	2	2	2	2	2	2	2	2	2	2			
12	815-0466	Screw, Cap - Hex Head (#6 X 5/8")	1	1	1	1	1	1	1	1	1	1			
13	332-2194	Terminal, Tab	2	2	2	2	2	2	2	2	2	2			
14	336-3254	Lead (3-1/4" - #16 Black Wire)	1	1	1	1	1	1	1	1	1	1			
14	336-4251	Lead (3" - #16 White Wire)	1	1	1	1	1	1	1	1	1	1			

BATTERY TRAY AND START SWITCH



REF NO.	PART NUMBER	PART DESCRIPTION	QUANTITY USED											
			A	B	C	D	E	F	G	H	J	K	L	
1	416-0695	Tray, Battery							1			1		
2	357-0030	Rectifier, Silicon							1			1		
3	336-4456	Lead (10")							1			1		
4	336-4455	Lead (24")							1			1		
5	301-5565	Cover, Switch							1			1		
6	821-0005	Screw, Cap - Hex Head Locking (#10-32 X 1/2")							2			2		
7	870-0320	Nut, Hex - Locking (#10-32)							2			2		
8	313-0032	Switch, Push - Start							1			1		
9	812-0128	Screw, Machine - Round Head (#12-24 X 3/4")							2			2		
10	850-0035	Washer, Lock - Spring (#12)							2			2		
11	860-0012	Nut, Hex (#12-24)							2			2		
12	860-0008	Nut, Hex (#8-32)							1			1		
13	850-0025	Washer, Lock - Spring (#8)							1			1		
14	304-0015	Washer, Centering							2			2		
15	304-0217	Resistor, Fixed (7.5 Ohms, 10 Watt)							1			1		
16	853-0005	Washer, Lock - ET (#8)							1			1		
17	812-0091	Screw, Machine - Round Head (#8-32 X 2-1/2")							1			1		
18	304-0292	Insulator, Resistor							1			1		
19	336-4457	Lead (23")							1			1		
20	336-4458	Lead (2-1/2")							2			2		
21	336-5237	Lead (2-1/2")							1			1		
22	321-0175	Holder, Fuse							1			1		
23	321-0233	Fuse, 8 Ampere							1			1		

CONTROL

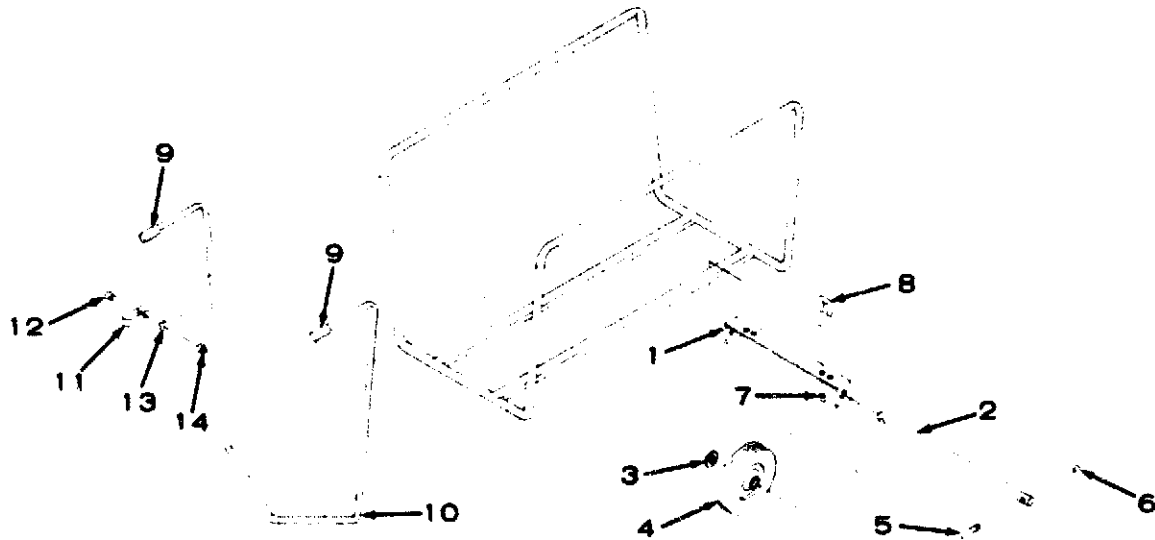


REF NO.	PART NUMBER	PART DESCRIPTION	QUANTITY USED											
			A	B	C	D	E	F	G	H	J	K	I	
	300-1802	Control Assembly, Complete	1	1	1	1	1	1	1	1	1	1		
1	305-0517	Rectifier, Bridge	1	1	1	1	1	1	1	1	1	1		
2	870-0131	Nut, Hex - W/ET (#10-32)	3	3	3	3	3	3	3	3	3	3		
3	332-1815	Tab, Terminal	1	1	1	1	1	1	1	1	1	1		
4	332-2145	Block, Terminal (4-Place)	1	1	1	1	1	1	1	1	1	1		
5	301-4950	Panel, Control	1	1	1	1	1	1	1	1	1	1		
6	813-0103	Screw, Machine - Round Head (#10-32 X 3/4")	3	3	3	3	3	3	3	3	3	3		
7	Lead	(#16 Wire)												
	336-2311	7" Long	1	1	1	1	1	1	1	1	1	1		
	336-4264	9" Long	1	1	1	1	1	1	1	1	1	1		
	336-4269	6" Long	1	1	1	1	1	1	1	1	1	1		

OPTIONAL PARTS SECTION

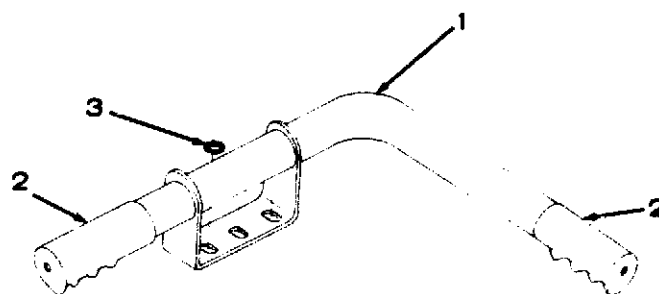
This section contains illustrated parts listings of optional accessories and factory installed options for the generator sets. Options may not be applicable to all models; for field conversions additional parts are usually required. Optional parts listed in this section are in addition or in place of those shown in the standard parts section.

DOLLY (OPTIONAL)



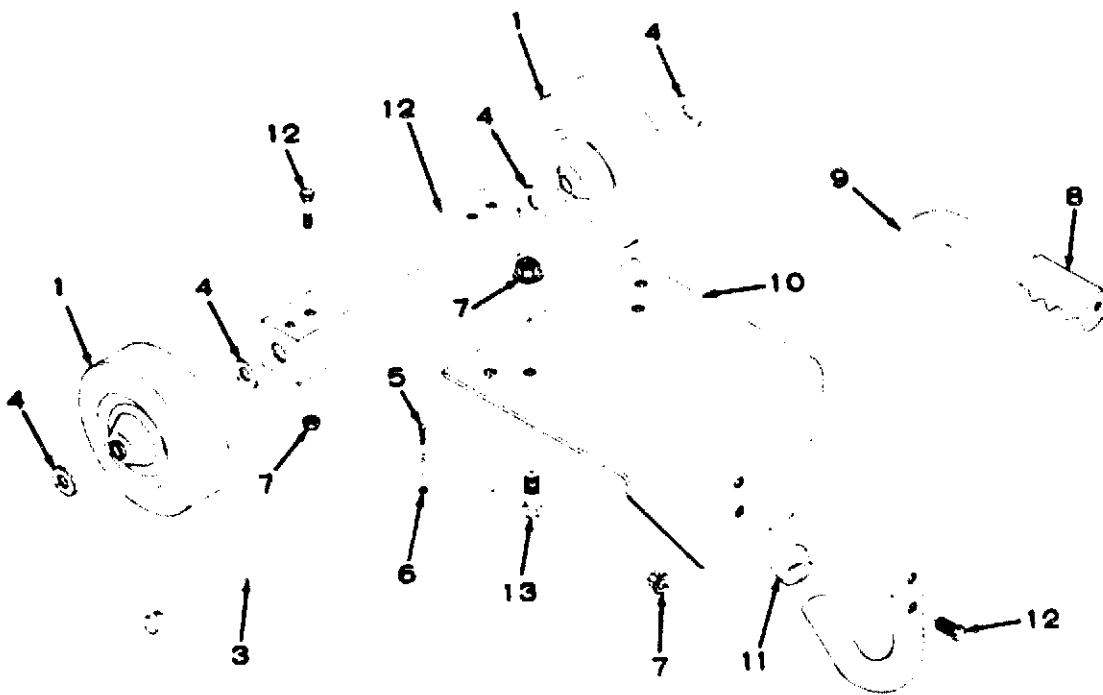
REF NO.	PART NUMBER	PART DESCRIPTION	QUANTITY USED												
			A	B	C	D	E	F	G	H	J	K	L		
	410-0732	Dolly Package - Complete				1	1	1	1	1					
1	410-0724	Bracket, Axle Support				1	1	1	1	1					
2	410-0723	Axle, Dolly				1	1	1	1	1					
3	526-0219	Washer, Flat (17/32" ID X 1" OD X 1/8")				4	4	4	4	4					
4	410-0618	Wheel, Dolly				2	2	2	2	2					
5	812-0065	Screw, Machine - Round Head (6-32 X 5/8")				2	2	2	2	2					
6	870-1183	Nut, Hex-W/ET (6-32)				2	2	2	2	2					
7	870-0257	Nut, HWH (5/16-18)				4	4	4	4	4					
8	410-0725	Bolt-U (Axle)				2	2	2	2	2					
9	403-1477	Grip, Handle				2	2	2	2	2					
10	410-0719	Handle, Dolly				1	1	1	1	1					
11	410-0720	Bracket, Handle				4	4	4	4	4					
12	800-0009	Screw, Cap-Hex Head (1/4-20 X 1-1/2")				4	4	4	4	4					
13	870-0212	Nut, HWH (1/4-20)				4	4	4	4	4					
14	866-0001	Nut, Hex-Acorn (1/4-20)				4	4	4	4	4					

E-Z TOTE HANDLE (OPTIONAL)



REF NO.	PART NUMBER	PART DESCRIPTION	QUANTITY USED												
			A	B	C	D	E	F	G	H	J	K	L		
	410-0735	Kit, E-Z Tote Handle	1	1											
1	403-1573	Handle, Carrying	1	1											
2	403-1477	Grip, Handle	2	2											
3	856-0008	Washer, Lock-EIT (5/16")	3	3											

E-Z WHEELER (OPTIONAL)



REF NO.	PART NUMBER	PART DESCRIPTION	QUANTITY USED												
			A	B	C	D	E	F	G	H	J	K	L		
	410-0734	Kit, E-Z Wheeler	1	1	1										
1	410-0618	Wheel	2	2	2										
2	410-0724	Bracket, Axle Support	1	1	1										
3	410-0723	Axle	1	1	1										
4	526-0219	Washer, Flat (17/32" ID x 1" OD x 1/8")	4	4	4										
5	812-0065	Screw, Machine - Round Head (6-32 x 5/8")	2	2	2										
6	870-1183	Nut, Hex-W/ET (6-32)	2	2	2										
7	870-0257	Nut, HWH (5/16-18)	8	8	8										
8	403-1477	Grip, Handle	1	1	1										
9	410-0731	Handle	1	1	1										
10	410-0730	Support Plate, Handle	1	1	1										
11	403-0588	Tip, Rubber (1")	1	1	1										
12	800-0031	Screw, Cap-Hex Head (5/16-18 x 1-1/2")	4	4	4										
13	821-0017	Screw, Cap-HWH (5/16-18 x 1/2")	4	4	4										

BATTERY CHARGER (OPTIONAL)

