

The following catalog has gaps in its page numbers, or doesn't have any numbers. We have chosen to leave the page numbering in the order that Acrobat assigns it.

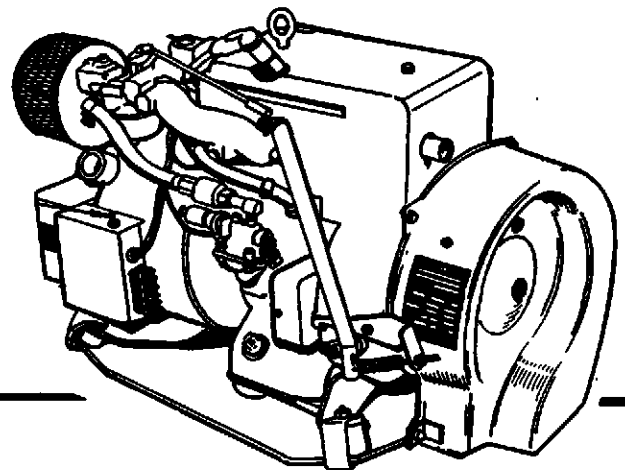
McGraw-Edison

Onan

PROPERTY
OF
**SERVICE PARTS
LIBRARY**

DO NOT REMOVE

**Parts
Manual
2.7AJ
R.V. GenSet**



FORM NUMBER

924-0220

ISSUE DATE

12-76



**Power
Generation**

Fiche # 202

Redistribution or publication of this document
by any means, is strictly prohibited.

MICROFICHE INDEX #202

PARTS CATALOG INDEX FOR 2.7AJ SERIES

<u>FICHE LOCATION</u>	<u>ILLUSTRATION</u>
A3 *****	Data Table
A12 *****	Air Housing Group
A9 *****	Carburetor Parts Group
A14 *****	Control Group
A4 *****	Crankshaft, Camshaft & Governor Cup Group
A5 *****	Cylinder Block Group
A11 *****	Exhaust System Group
A10 *****	Fuel Pump Parts Group
A8 *****	Fuel System Group
A7 *****	Gear Case Group
A13 *****	Generator Group
A10 *****	Ignition Group
A3 *****	Piston & Connecting Rod Group
B1 *****	Remote Starting Control Group (Used with Three Wire Start Circuits Only)
A6 *****	Valve and Breather Group
B2 *****	Service Kits & Miscellaneous

GENERAL INFORMATION

INSTRUCTIONS FOR ORDERING REPAIR PARTS

For parts or service, contact the dealer from whom you purchased this equipment or refer to your Nearest Authorized Onan Parts and Service Center.

To avoid errors or delay in filling your parts order, please furnish all information requested.

Always refer to the nameplate on your unit.

1. Always give the MODEL, SPEC NO. and SERIAL NO.

For handy reference, insert "YOUR" nameplate information in the spaces above.

2. Do not order by reference number; always use part number and description.
3. Give the part number, description and quantity needed of each item. If an older part cannot be identified, return the part prepaid to your dealer or nearest Onan Parts and Service Center. Print your name and address plainly on the package. Write a letter to the same address stating the reason for returning the part.
4. State definite shipping instructions. Any claim for loss or damage to your unit in transit should be filed promptly against the transportation company making the delivery. Shipments are complete unless the packing list indicates items are back ordered.

Prices are purposely omitted from this Parts Manual due to the confusion resulting from fluctuating costs, import duties, sales taxes, exchange rates, etc.

For current parts prices, consult your Onan Dealer, Distributor or Parts and Service Center.

"En esta lista de partes los precios se omiten de proposito, ya que bastante confusion resulto de fluctuaciones de los precios, derechos aduanales, impuestos de venta, cambios extrajeros, etc."

Consiga los precios vigentes de su distribuidor de productos "ONAN."

INTRODUCTION

This catalog applies to the standard AJ Recreational Vehicle generator set. Parts are arranged in groups of related items. Each illustrated part is identified by a reference number corresponding to the same reference number in the parts list for that group. Parts illustrations are typical. Using the *Model* and *Spec No.* from the nameplate, select parts from this catalog that apply to your set. Unless otherwise mentioned in the description, parts are interchangeable between models. Right and left sides are determined by facing the engine end (front) of the set.

DATA TABLE

MODEL AND SPEC NO.	TYPE	WATTS	VOLTS	HERTZ	WIRE	PHASE
2.7 AJ-1R/*	Remote	2750	120	60	2	1

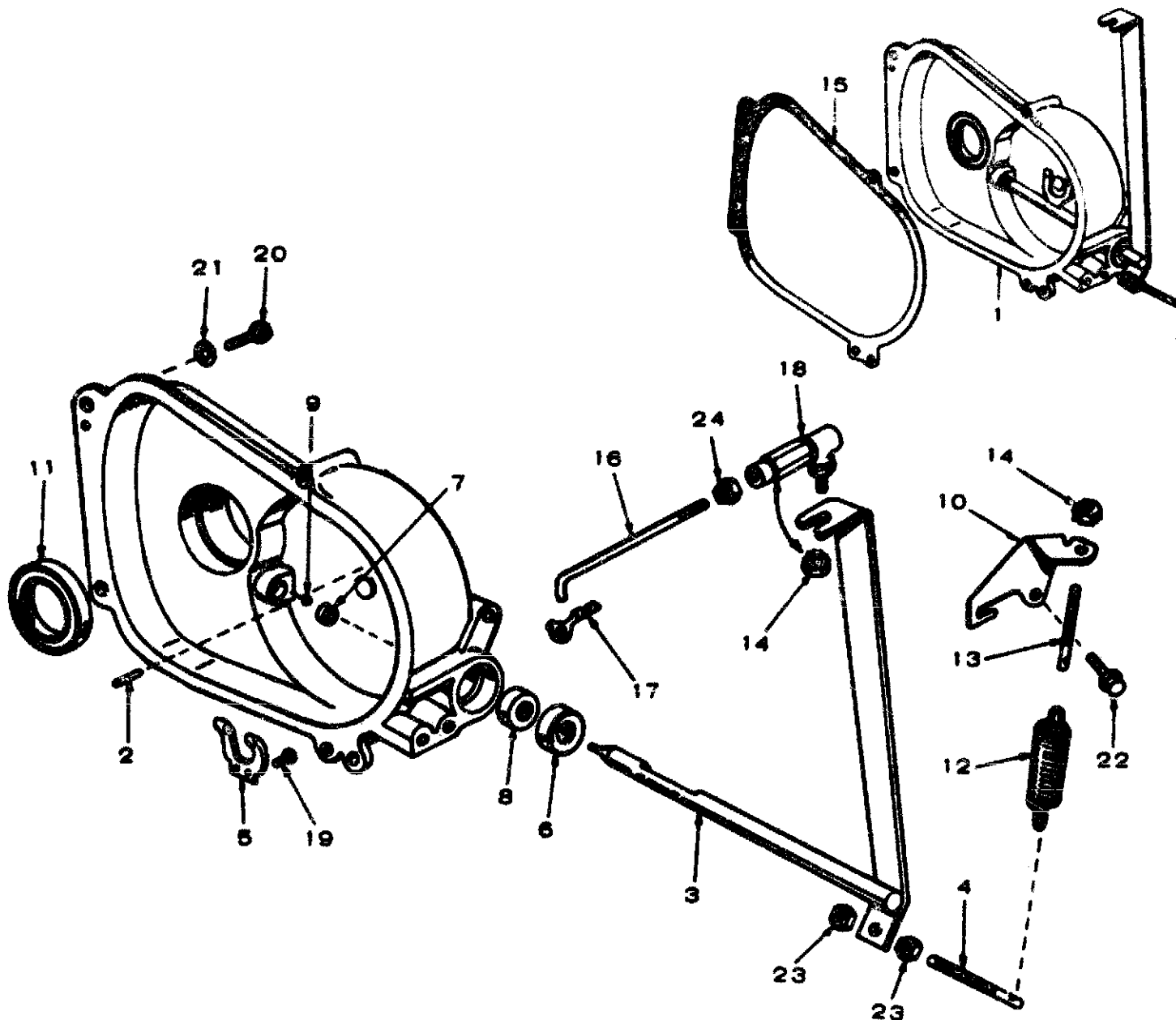
* - The Specification Letter advances (A to B, B to C, etc.) with manufacturing changes.
The letter R in MODEL and SPEC denotes electric start with start-stop at both the set and the remote control.

NOTE: Hertz is a unit of frequency equal to one cycle per second.

NOTICE!

ITEMS REFERENCED AS **OPTIONAL** INDICATE PART IS FACTORY INSTALLED AND MAY NOT BE APPLICABLE TO ALL MODELS. FOR FIELD CONVERSIONS ADDITIONAL PARTS ARE USUALLY REQUIRED.

GEARCASE GROUP

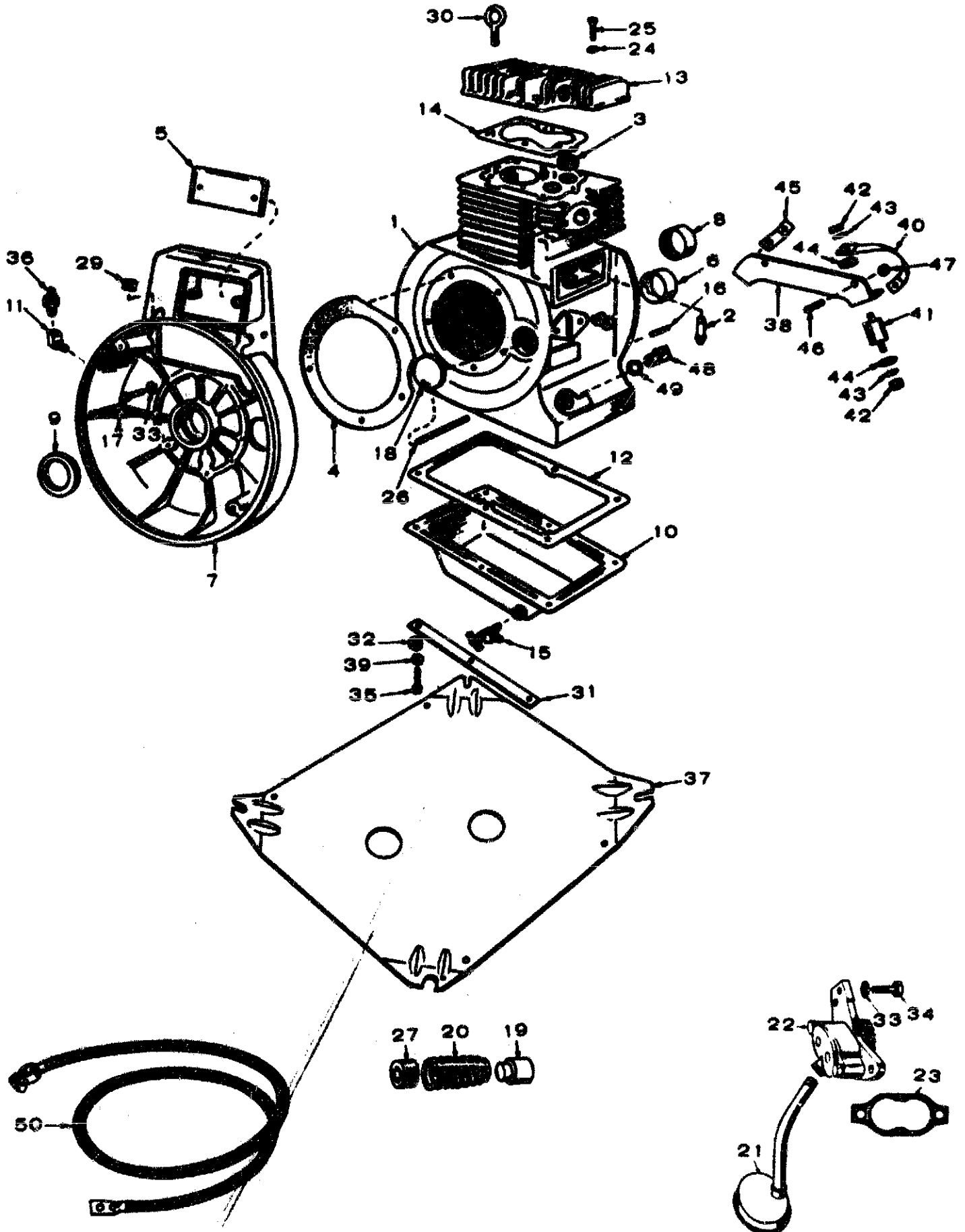


REF. NO.	PART NO.	QTY. USED	PART DESCRIPTION
1	103-0435	1	Gearcase, Assembly (Includes Parts Marked *)
2	516-0117	1	*Pin, Roll (3/16 x 13/16") Governor Cup Stop
3	150-1426	1	*Arm & Shaft, Governor
4	150-0177	1	*Stud, Governor Sensitivity Adjusting
5	150-1187	1	*Yoke, Governor Shaft
6	509-0008	1	*Seal, Oil - Governor Shaft
7	510-0008	1	*Bearing, Governor Shaft - Lower
8	510-0013	1	*Bearing, Governor Shaft - Upper
9	510-0014	1	*Ball, Governor Shaft Thrust
10	150-1429	1	Bracket, Governor Spring
11	509-0012	1	*Seal, Oil
12	150-0098	1	Spring, Governor
13	150-0086	1	Stud, Governor Spring Tension Adjusting
14	870-0131	2	Nut, Hex - with External Tooth Lockwasher (#10-32)

REF. NO.	PART NO.	QTY. USED	PART DESCRIPTION
15	103-0013	1	Gasket, Gear Cover
16	150-1426	1	Link, Governor Arm to Carburetor
17	518-0004	1	Clip, Governor Link to Carburetor
18	150-0639	1	Joint, Ball
19	815-0046	2	*Screw, Machine - Pan Head, Cross Recessed (#8-32 x 3/8")
20	SCREW, CAP - HEX HEAD		
	800-0031	2	5/16-18 x 1-1/2"
	800-0034	2	5/16-18 x 2-1/4"
21	850-0045	4	Washer, Lock - Gear Cover Mounting
22	815-0290	1	Screw, Tapping - Hex Washer Head (1/4-20 x 5/8")
23	870-0053	2	*Nut, Hex (#10-32)
24	870-0053	1	Nut, Hex (#10-32)

* - Included in Gear Cover Assembly.

CYLINDER BLOCK GROUP



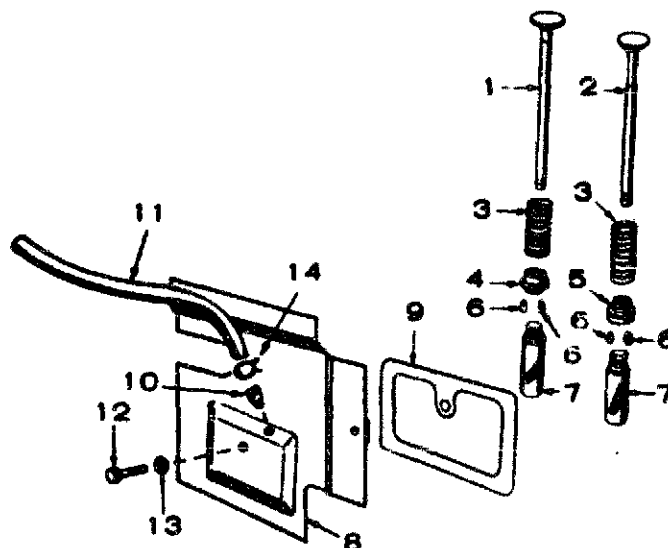
CYLINDER BLOCK GROUP

REF. NO.	PART NO.	QTY. USED	PART DESCRIPTION	REF. NO.	PART NO.	QTY. USED	PART DESCRIPTION
1	110-2252	1	Cylinder Block Assembly (Includes Parts Marked *)	24	526-0264	7	Washer, Flat - Hardened (11/32" ID x 23/32" OD x 1/8" THK)
2	110-0441	2	*Guide, Valve	25	SCREW, CAP - HEX HEAD (Hardened)		
3	INSERT VALVE SEAT - EXHAUST			110-0879	4	Cylinder Head (5/16-18 x 1-1/4")	
	110-0826	1	*Standard	110-0284	3	Cylinder Head (5/16-18 x 1-1/2")	
	110-0826-02	1	.002" Oversize	26	120-0387	1	*Tube, Crankcase (Pressed in Block)
	110-0826-05	1	.005" Oversize	27	505-0274	1	Plug, Oil By-Pass (1/8" x 1/4")
	110-0826-10	1	.010" Oversize	28	850-0040	2	Washer, Lock - Spring (1/4")
	110-0826-25	1	.025" Oversize	29	508-0148	1	Grommet, Generator Adapter
4	101-0257	1	*Gasket Kit, Bearing Plate to Engine	30	403-0856	1	Bolt, Eye - Lifting
5	330-0079	1	Cover, Access	31	102-0889	2	Stiffener, Oil Pan
6	101-0367	2	*Bearing, Camshaft	32	526-0127	6	Washer, Flat (13/32" ID x 25/32" OD x 1/8" THK)
7	231-0179	1	*Plate, Generator Adapter & Rear Bearing (Less Bearing)	33	851-0005	5	*Washer, Lock - Spring (5/16")
8	BEARING, CRANKSHAFT (Front and Rear)			34	800-0007	2	Screw, Cap - Hex Head (1/4-20 x 1")
	101-0290	2	*Standard	35	800-0048	6	Screw, Cap - Hex Head (5/16-18 x 3/8")
	101-0290-02	2	.002" Undersize	36	309-0237	1	Switch, Oil Pressure
	101-0290-10	2	.010" Undersize	37	403-1067	1	Plate, Mounting
	101-0290-20	2	.020" Undersize	38	403-1064	4	Bracket, Engine Mounting
	101-0290-30	2	.030" Undersize	39	850-0050	8	Washer, Lock - Spring (3/8")
9	509-0123	1	Seal, Oil - Crankshaft Rear	40	402-0369	2	Strap, Restrainer
10	102-0319	1	Pan, Oil	41	402-0388	2	Mount, Vibration Cushion
11	502-0196	1	Elbow, Oil Pressure Switch	42	962-0015	7	Nut, Hex (5/16-18)
12	102-0018	1	Gasket, Oil Pan	43	850-0045	7	Washer, Lock - Spring (5/16")
13	110-0834	1	Head, Cylinder	44	526-0041	5	Washer, Flat (21/64" ID x 1" OD x 1/16" THK)
14	110-0836	1	Gasket, Cylinder Head	45	134-2723	1	Bracket, Backplate
15	504-0017	1	Valve, Drain	46	520-0119	2	Stud, Engine Mounting Bracket
16	516-0012	2	*Pin, Dowel - Gear Cover Alignment	47	104-0091	2	Nut, Engine Mounting Bracket
17	800-0029	5	*Screw, Cap - Hex Head (5/16-18 x 1-1/8")	48	102-0753	1	Plug, Oil Fill
18	517-0048	1	*Plug, Expansion Rear Cam Bearing	49	102-0612	1	Gasket, Oil Fill Plug
19	120-0012	1	Plunger, Oil By-Pass	50	416-0077	2	Cable, Battery
20	120-0140	1	Spring, Oil By-Pass Plunger				
21	120-0571	1	Cup, Oil Pump Intake (Includes Screen)				
22	120-0394	1	Pump, Oil				
23	120-0181	1	Gasket Kit, Oil Pump				

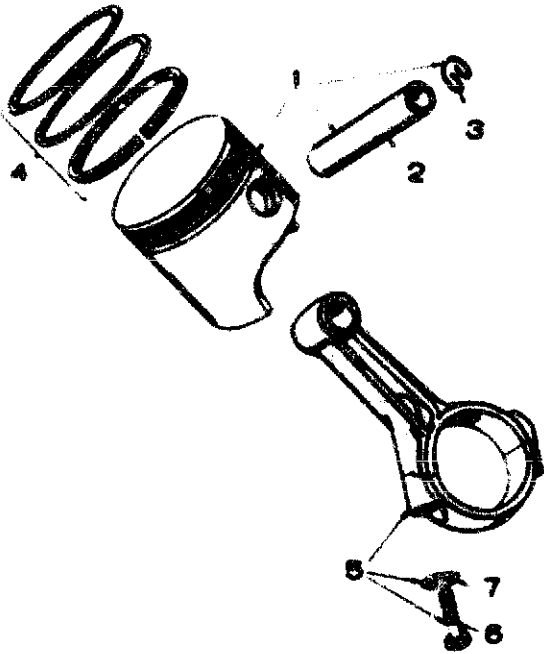
* - Included in Cylinder Block Assembly.

VALVE AND BREATHER GROUP

REF. NO.	PART NO.	QTY. USED	PART DESCRIPTION
1	110-0823	1	Valve, Intake
2	110-0827	1	Valve, Exhaust
3	110-0809	2	Spring, Valve
4	110-0558	1	Retainer, Valve Spring - Intake
5	110-0540	1	Rotocap, Valve - Exhaust
6	110-0008	4	Lock, Valve Spring Retainer
7	115-0006	2	Tappet, Valve
8	110-2248	1	Cover, Valve
9	110-0832	1	Gasket, Valve Cover
10	123-0486	1	Valve, Breather
11	503-0702	1	Hose, Breather (18-1/2")
12	800-0015	1	Screw, Cap - Hex Head (1/4-20 x 3")
13	526-0063	1	Washer, Flat - Copper (17/64" ID x 7/16" OD x 1/32" THK)
14	503-0814	1	Clamp, Breather Hose



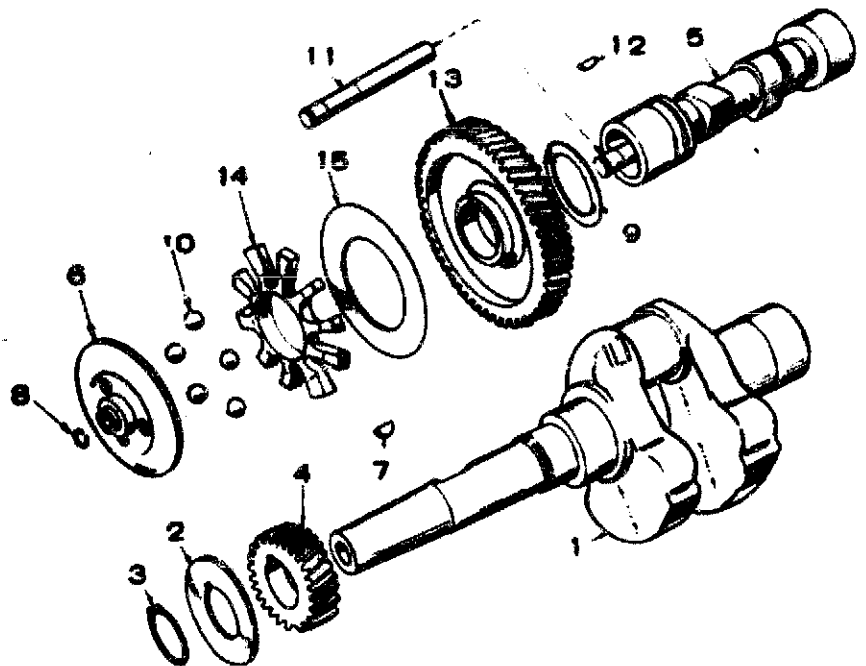
PISTON AND ROD GROUP



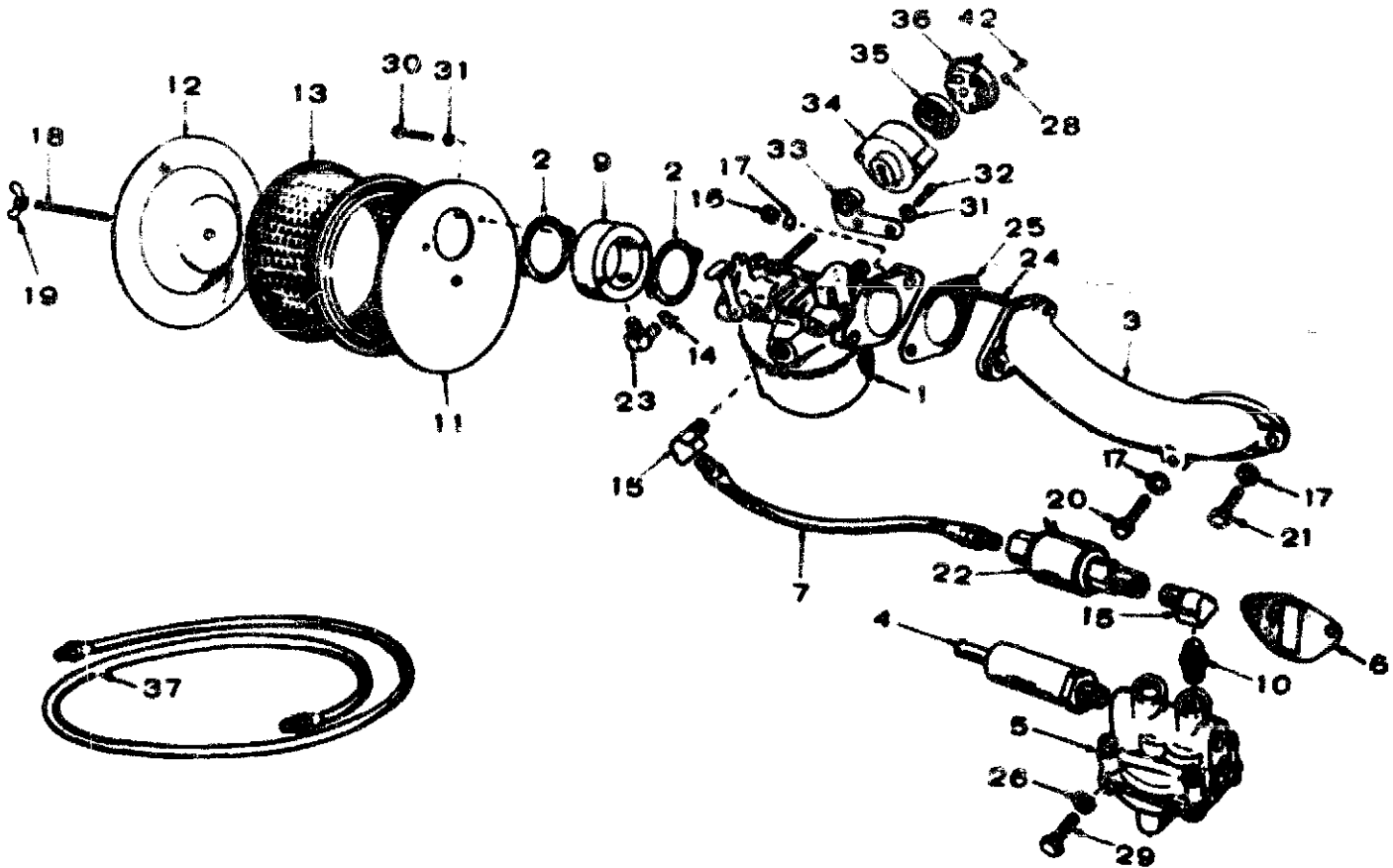
REF. NO.	PART NO.	QTY. USED	PART DESCRIPTION
1	PISTON ASSEMBLY (Includes Pin and Rings)		
	112-0127	1	Standard
	112-0127-05	1	.005" Oversize
	112-0127-10	1	.010" Oversize
	112-0127-20	1	.020" Oversize
	112-0127-30	1	.030" Oversize
	112-0127-40	1	.040" Oversize
2	112-0063	1	Pin, Piston
3	112-0013	2	Ring, Retaining
4	RING SET		
	113-0175	1	Standard
	113-0175-10	1	.010" Oversize
	113-0175-20	1	.020" Oversize
	113-0175-30	1	.030" Oversize
	113-0175-40	1	.040" Oversize
5	ROD, CONNECTING		
	114-0086	1	Standard
	114-0086-10	1	.010" Undersize
	114-0086-20	1	.020" Undersize
	114-0086-30	1	.030" Undersize
6	114-0023	2	Screw, Cap - Hex Head (Hardened)
7	854-0014	2	Washer, Lock - Internal Tooth (1/4")

CRANKSHAFT AND CAMSHAFT GROUP

REF. NO.	PART NO.	QTY. USED	PART DESCRIPTION
1	104-0660	1	Crankshaft
2	104-0050	1	Washer, Crankshaft Gear
3	518-0012	1	Ring, Lock - Crankshaft Gear Washer
4	104-0048	1	Gear, Crankshaft
5	105-0300	1	Camshaft & Pin Assembly
6	150-1116	1	Cup, Governor
7	515-0001	1	Key, Woodruff
8	150-0078	1	Ring, Lock - Cam, Center Pin
9	105-0004	1	Washer, Camshaft Thrust
10	510-0015	5	Ball, Fly - Governor
11	150-0075	1	Pin, Camshaft Center
12	515-0001	1	Key, Woodruff
13	105-0377	1	Gear, Camshaft (Includes Flyball, Spacer & Plate)
14	150-1267	1	Spacer, Flyball
15	150-0077	1	Plate, Flyball



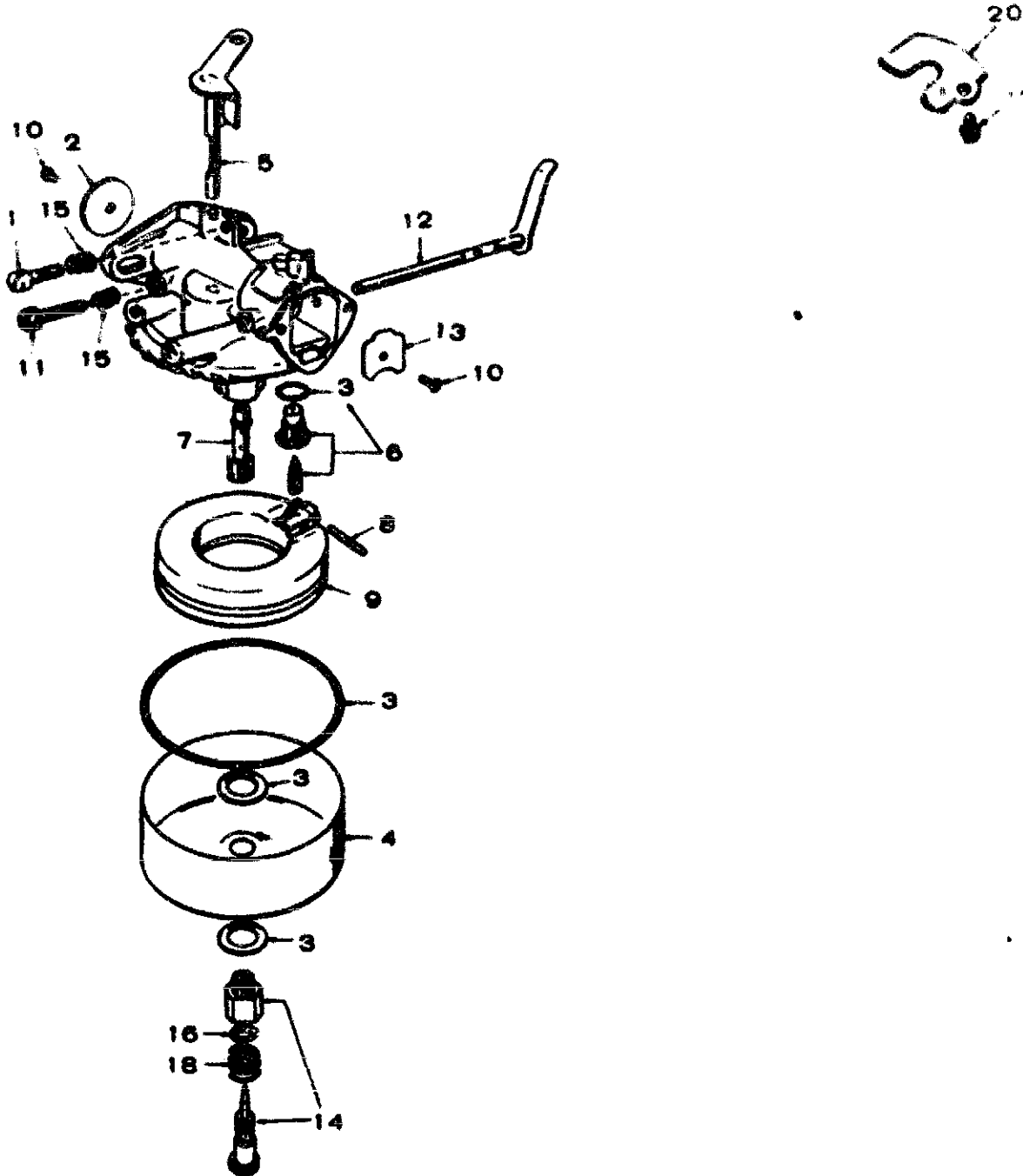
FUEL SYSTEM GROUP



REF. NO.	PART NO.	QTY. USED	PART DESCRIPTION	REF. NO.	PART NO.	QTY. USED	PART DESCRIPTION
1	146-0191	1	Carburetor	22	307-1279	1	Valve, Fuel Solenoid
2	145-0446	3	Gasket, Air Cleaner to Carburetor	23	502-0433	1	Elbow, Hose
3	154-1601	1	Manifold, Intake	24	520-0326	2	Stud (1/4-28 x 1/4-20 x 1-3/32")
4	149-1353	1	Filter, Fuel	25	141-0078	1	Gasket, Carburetor Mounting
5	149-1352	1	Pump, Fuel	26	526-0063	2	Washer, Flat - Copper (17/64" ID x 7/16" OD x 1/32" THK)
6	149-0003	1	Gasket, Pump Mounting	27	815-0285	2	Screw, Machine - Round Head with External Tooth Lockwasher (#8-32 x 5/16")
7	501-0001	1	Line, Fuel Pump to Carburetor	28	526-0048	2	Washer, Flat - Brass (11/64" ID x 3/8" OD x 1/32" THK)
8	520-0195	1	Elbow, Pipe	29	815-0433	2	Screw, Self-locking - Fillister Head (1/4-20 x 5/8")
9	145-0454	1	Adapter, Air Cleaner to Carburetor	30	812-0085	2	Screw, Machine - Round Head (#8-32 x 1-1/8")
10	502-0082	1	Nipple, Solenoid Mounting	31	850-0025	4	Washer, Lock - Spring (#8)
11	140-1287	1	Plate, Air Cleaner Base	32	815-0190	2	Screw, Tapping - Round Head (#8-32 x 3/8")
12	140-1288	1	Cover, Air Cleaner	33	153-0420	1	Adapter, Electric Choke
13	140-1188	1	Element, Air Cleaner	34	153-0440	1	Bracket, Electric Choke
14	503-0731	1	Clamp, Hose	35	153-0017	1	Element, Choke Bimetal
15	502-0020	1	Elbow, Pipe - Street (1/8 NPT)	36	153-0115	1	Cover Assembly, Choke (32 Volt Element)
16	115-0025	2	Nut, Hex (1/4-28) - Hardened	37	501-0005	1	Line, Fuel
17	850-0040	4	Washer, Lock - Spring (1/4")				
18	520-0195	1	Stud (1/4-20 x 2-3/16")				
19	865-0020	1	Nut, Wing (1/4-20)				
20	800-0012	1	Screw, Cap - Hex Head (1/4-20 x 2-1/4")				
21	800-0007	1	Screw, Cap - Hex Head (1/4-20 x 1")				

* - See Separate group for component parts.

CARBURETOR PARTS GROUP



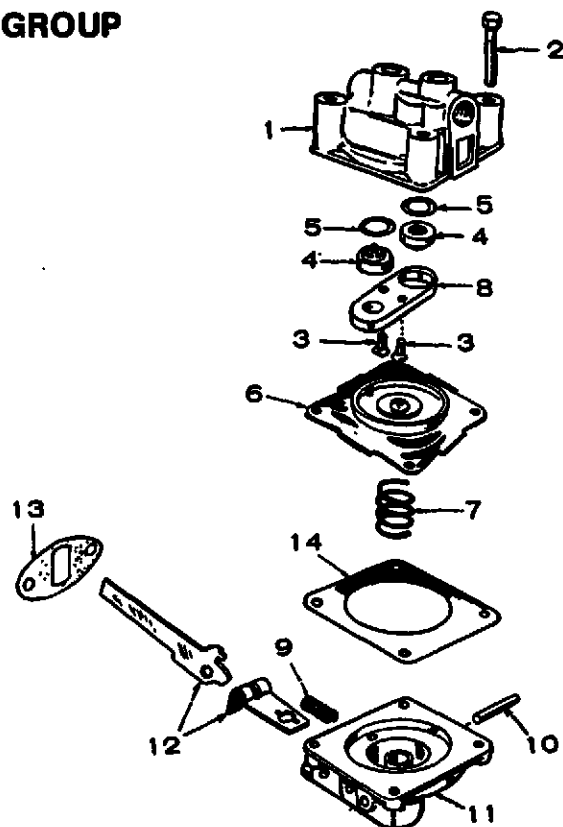
REF. NO.	PART NO.	QTY. USED	PART DESCRIPTION	REF. NO.	PART NO.	QTY. USED	PART DESCRIPTION
	146-0191	1	Carburetor, Gasoline	11	146-0116	1	*Needle, Idle
	146-0149	1	Repair Kit, Carburetor (Includes Parts Marked *)	12	146-0107	1	Shaft Assembly, Choke
1	146-0122	1	Screw, Throttle Stop	13	146-0104	1	Valve, Choke
2	146-0119	1	Valve, Throttle	14	146-0102	1	*Needle Assembly, High Speed
3	146-0124	1	*Gasket Kit, Carburetor	15	146-0121	2	Spring, Throttle Stop Screw and Idle
4	146-0118	1	Bowl, Fuel	16	146-0120	1	Seal, "O" Ring - High Speed Needle
5	146-0196	1	Shaft Assembly, Throttle	18	146-0117	1	Spring, High Speed Needle
6	146-0145	1	*Float Valve, Seat and Gasket Package	19	146-0142	1	Screw Assembly & Washer - Splash Baffle Mounting
7	146-0113	1	Nozzle	20	146-0143	1	Baffle, Splash
8	146-0111	1	*Shaft, Float				
9	146-0110	1	Float Assembly				
10	146-0109	2	Screw and Washer				

* - Included in Repair Kit.

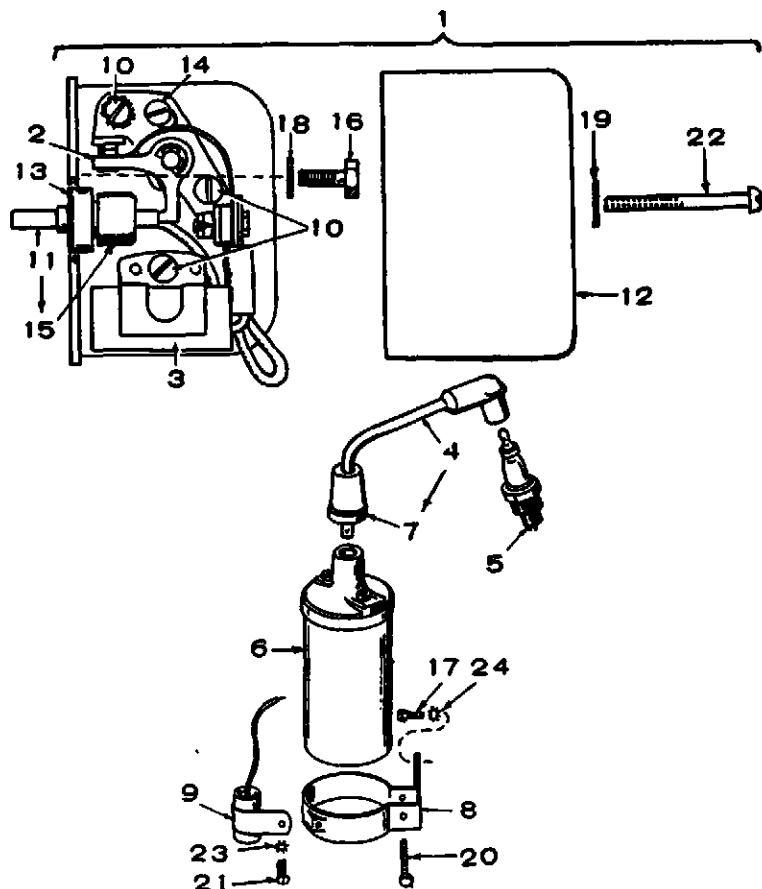
FUEL PUMP PARTS GROUP

REF. NO.	PART NO.	QTY. USED	PART DESCRIPTION
	149-0693	1	Pump, Fuel (Illustrated in Fuel System Group)
	149-0526	1	Repair Parts Kit (Includes Parts Marked *)
1		1	Body, Not Sold Separately
2	815-0148	4	Screw, Machine - Hex Head, Slotted (#8-32 x 7/8")
3	815-0147	2	Screw, Tapping - Oval Head, Cross Recessed (#6-32 x 5/8")
4	149-0096	2	*Valve and Cage
5	149-0095	2	*Gasket, Valve
6	149-0582	1	*Diaphragm Assembly
7	149-0672	1	*Spring
8	149-0539	1	Retainer, Valve Cage
9	149-0675	1	*Spring
10	516-0113	1	Pin, Rocker Arm
11		1	Body, Not Sold Separately
12	149-0710	1	Link and Arm, Rocker (Sold Only as a Set)
13	149-0003	1	*Gasket, Pump Mounting
14	149-0858	1	*Gasket, Diaphragm - Lower Side

* - Included in Repair Kit.

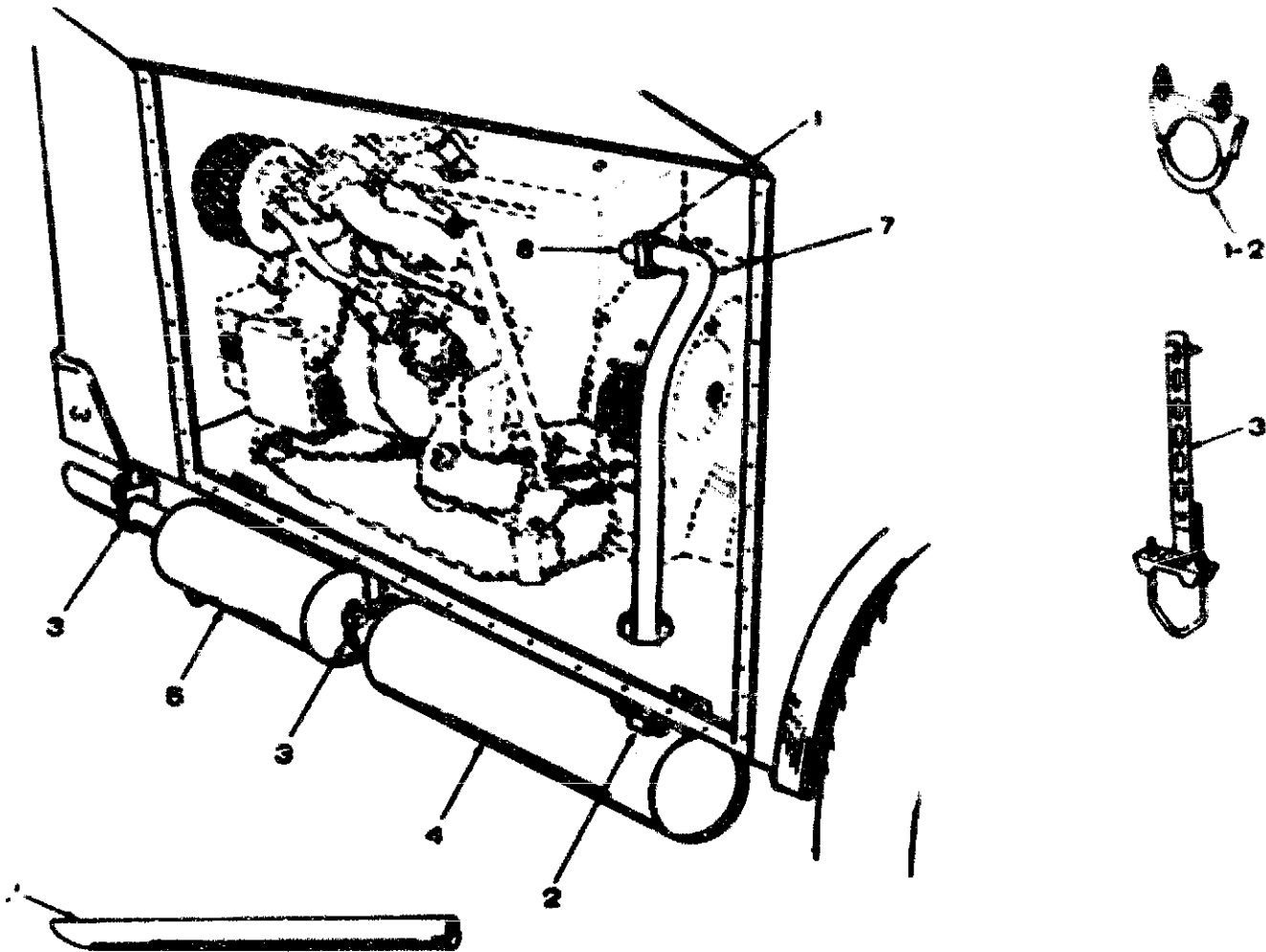


IGNITION GROUP



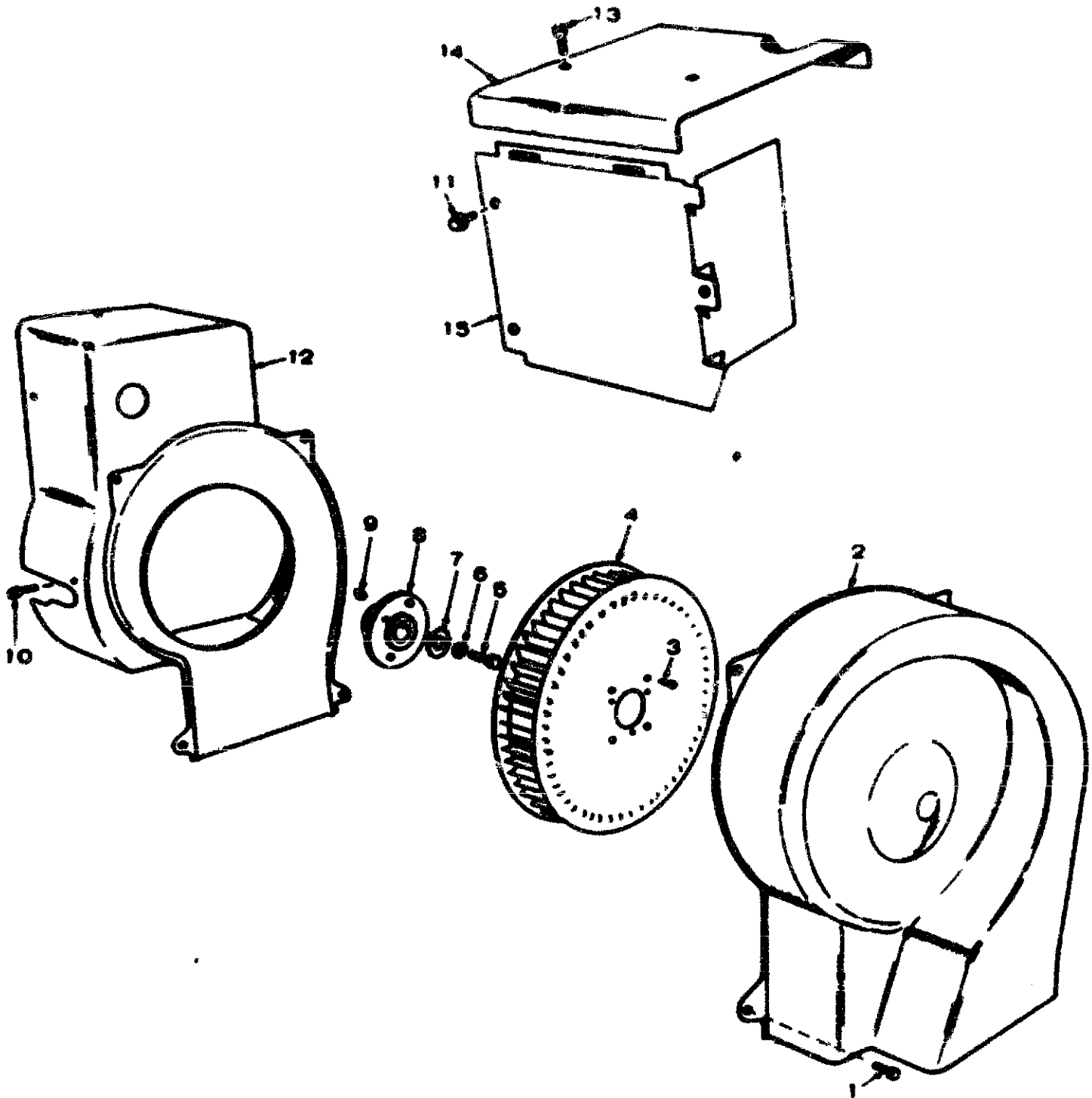
REF. NO.	PART NO.	QTY. USED	PART DESCRIPTION
①	160-0555	1	Box Assembly, Breaker (Includes Parts Marked *)
2	160-0002	1	*Point Set
3	312-0181	1	*Condenser
④	167-1584	1	Lead, Spark Plug
⑤	167-0251	1	Plug, Spark
6	166-0278	1	Coil, Ignition
7	160-0558	1	Nipple, Rubber - Ignition Coil
⑧	160-1045	1	Bracket, Ignition Coil Mounting
⑨	312-0058	1	Condenser, Suppression
10	518-0049	3	*Screw, Points & Condenser Mounting
11	160-0553	1	Plunger & Guide Assembly (Includes Diaphragm)
12	160-0551	1	Cover, Breaker Box
13	160-0461	1	Gasket, Plunger Guide
14	160-0075	1	*Pivot, Breaker Arm
15		1	Diaphragm, Plunger (Part of Plunger Assembly)
16	800-0003	1	Screw, Cap - Hex Head (1/4-20 x 1/2")
⑰	815-0236	1	Screw, Tapping - Hex Head (5/16-18 x 5/8")
18	526-0063	1	Washer, Flat - Copper (17/64" ID x 7/16" OD x 1/32")
19	854-0010	1	Washer, Lock - Internal Tooth (#10)
⑳	815-0236	1	Screw, Tapping - Hex Head (5/16-18 x 5/8")
㉑	815-0190	1	Screw, Tapping - Round Head (#8-32 x 3/8")
22	813-0111	1	Screw, Machine - Round Head (#10-32 x 2-1/4")
㉓	856-0002	1	Washer, Lock - External/Internal Tooth (#8)
㉔	853-0016	1	Washer, Lock - External Tooth (5/16")

EXHAUST SYSTEM GROUP



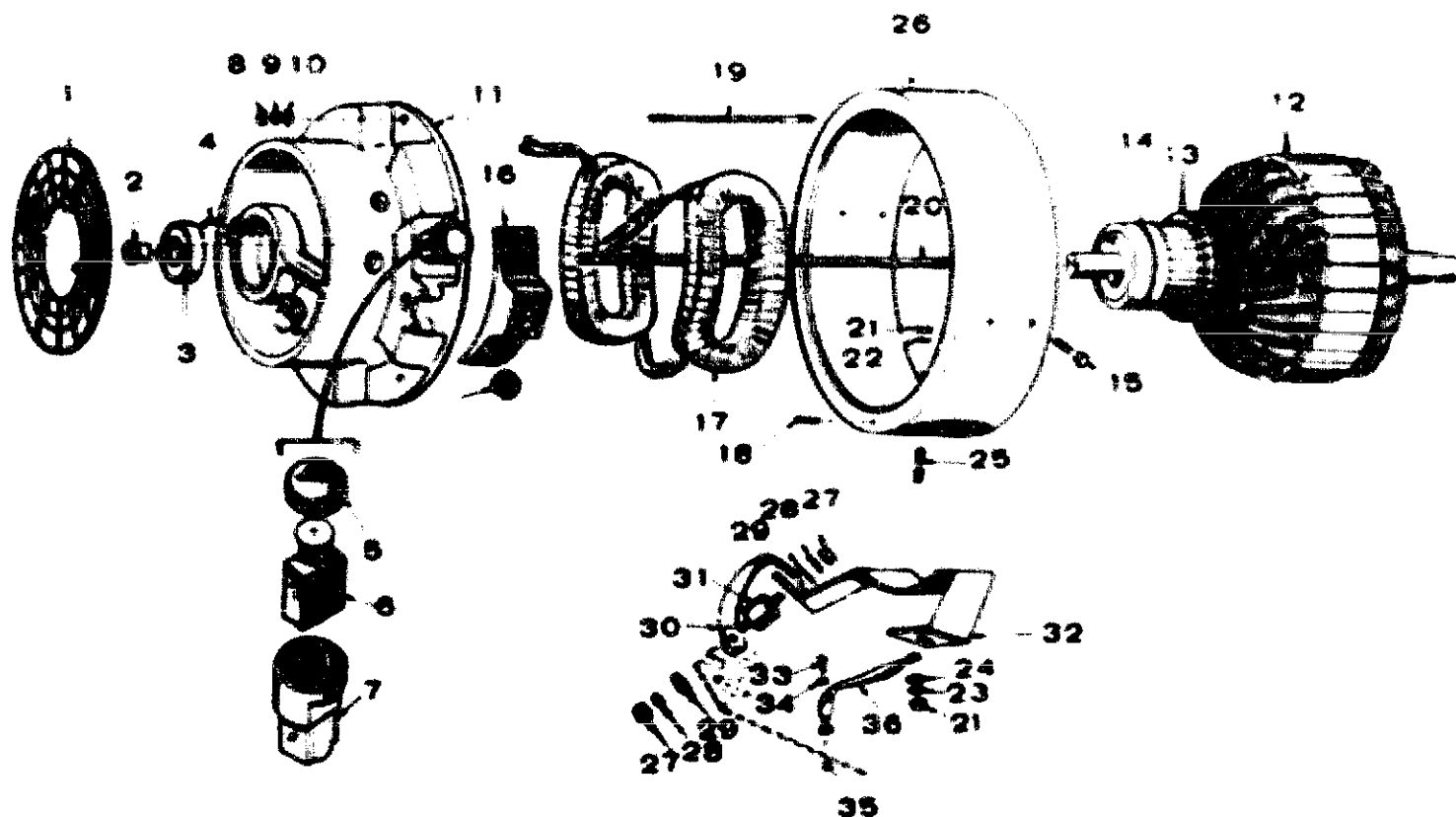
REF. NO.	PART NO.	QTY. USED	PART DESCRIPTION
1	155-1255	1	Clamp, Muffler (1-1/8" Pipe)
2	155-1256	1	Clamp, Muffler (1-1/4" Pipe)
3	155-1234	2	Bracket, Hanger - Muffler
4	MUFFLER, EXHAUST		
	155-1242	1	Spec A Through N
	155-1222	1	Begin Spec N
5	155-1254	1	Spark Arrester (Optional)
6	155-1236	1	Tube, Exhaust
7	TUBE, EXHAUST		
	155-1318	1	Spec A Through N
	155-1469	1	Begin Spec N
8	505-0779	1	Nippte, Pipe

AIR HOUSING GROUP



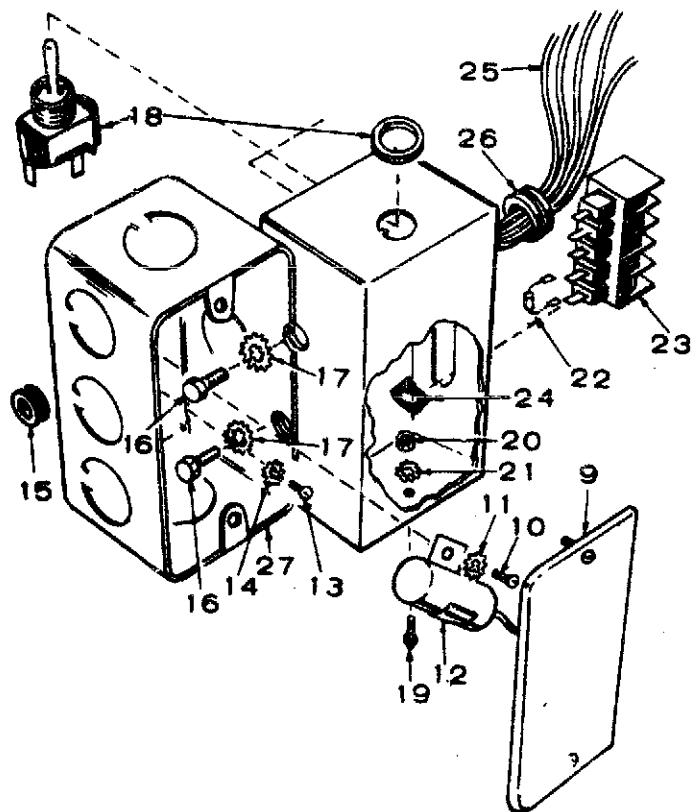
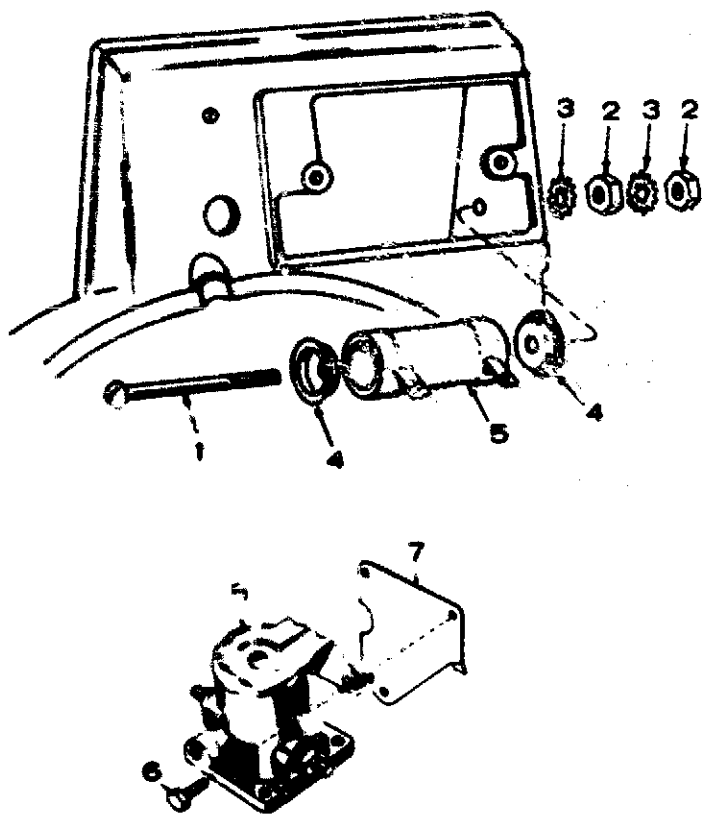
REF. NO.	PART NO.	QTY. USED	PART DESCRIPTION	REF. NO.	PART NO.	QTY. USED	PART DESCRIPTION
1	821-0009	4	Screw, Self-locking - Hex Washer Head (1/4-20 x 3/8")	9	515-0113	1	Key, Woodruff
2	134-2726	1	Scroll, Air	10	815-0290	1	Screw, Tapping - Hex Washer Head (1/4-20 x 5/8")
3	821-0010	2	Screw, Self-locking - Hex Washer Head (1/4-20 x 1/2")	11	821-0009	3	Screw, Self-locking - Hex Washer Head (1/4-20 x 3/8")
4	134-2777	1	Wheel, Blower	12	134-2706	1	Housing and Scroll, Blower
5	104-0680	1	Screw, Cap - Hex Head	13	821-0010	2	Screw, Self-locking - Hex Washer Head (1/4-20 x 1/2")
6	850-0055	1	Washer, Lock - Spring (7/16")	14	134-2697	1	Shroud, Cylinder Air
7	526-0017	1	Washer, Flat - Brass (15/32" ID x 1-1/4" OD x 1/4" THK)	15	134-2698	1	Cover, Engine Side
8	134-1913	1	Hub				

GENERATOR GROUP



REF. NO.	PART NO.	QTY. USED	PART DESCRIPTION	REF. NO.	PART NO.	QTY. USED	PART DESCRIPTION
1	234-0487	1	Cover, End Bell	18	516-0103	2	Pin, Roll
2	578-0272	1	Nut, Socket Drive (3/8-16)	19	520-0351	2	Stud (5/16-18 x 5-1/4")
3	510-0047	1	Bearing, Ball	20	520-0831	1	Stud (3/8-16 x 11-43/64")
4	232-0588	1	Clip, Retaining - Bearing	21	882-1015	2	Nut, Hex (5/16-18)
5	CAP. BRUSH HOLDER			22	856-1008	1	Washer, Lock - External/Internal Tooth (5/16")
	212-1219	2	DC Brush	23	850-0045	1	Washer, Lock - Spring (5/16")
	212-1217	4	AC Brush	24	526-0115	1	Washer, Flat (11/32" ID x 11/16" OD x 1/16" THK)
6	BRUSH			25	520-1703	1	Stud (5/16-18 x 2-1/8")
	214-0100	2	DC	26	210-0411	1	Frame, Machined & Drilled - Less Coils & Poleshoes
	214-0082	4	AC	27	882-0015	4	Nut, Hex (5/16-18)
7	HOLDER, BRUSH			28	850-0045	4	Washer, Lock - Spring (5/16")
	212-1218	2	DC Brush	29	526-0041	4	Washer, Flat (21/64" ID x 1" OD x 1/16" THK)
	212-1216	4	AC Brush	30	402-0389	2	Washer, Flat (5/16")
8	882-1015	2	Nut, Hex (5/16-18)	31	402-0388	2	Strap, Restrainer
9	850-0045	2	Washer, Lock - Spring (5/16")	32	403-1085	1	Mount, Vibration
10	526-0115	2	Washer, Flat (11/32" ID x 11/16" OD x 1/16" THK)	33	600-0003	1	Bracket, Mounting - Generator
11	211-0173	1	End Bell, Generator	34	856-0006	3	Screw, Cap - Hex Head (1/4-20 x 1/2")
12	201-2283	1	Armature Assembly, Includes Bearing	35	982-0001	1	Washer, Lock - External/Internal Tooth (1/4)
13	208-0148	1	Commutator (DC)	36	337-0094	1	Nut, Hex (1/4-20)
14	204-0009	1	Collector Ring (AC)				Strap, Ground
15	800-0053	4	Screw, Cap - Hex Head (3/8-16 x 1-3/4")				
16	221-0156	2	Shoe, Pole				
17	222-1728	1	Coil Assembly, Field (2 Coils Wired Together)				

CONTROL GROUP

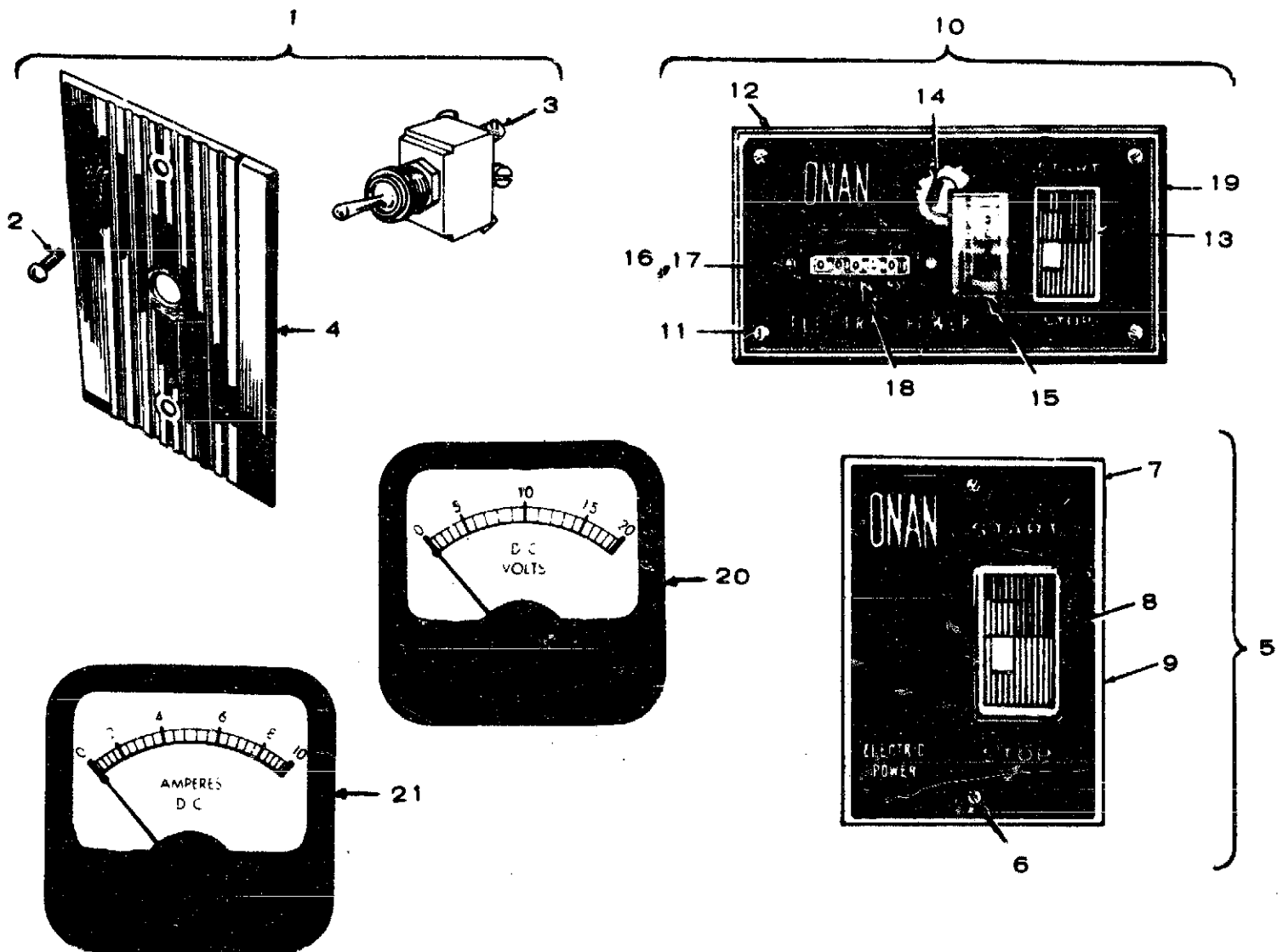


REF. NO.	PART NO.	QTY. USED	PART DESCRIPTION
1	812-0152	1	Screw, Machine - Round Head (1/4-20 x 3")
2	862-0001	2	Nut, Hex (1/4-20)
3	853-0013	2	Washer, Lock - External/Internal Tooth (1/2")
4	304-0006	2	Washer, Centering
5	353-0049	1	Resistor, Wirewound (10-Ohm, 45 Watt)
6	815-0261	2	Screw, Tapping - Hex Washer Head (1/4-20 x 7/16")
7	191-1051	1	Bracket, Solenoid
8	307-0045	1	Relay, Solenoid - Start
9	330-0004	1	Cover, Receptacle Box
10	813-0086	1	Screw, Machine - Round Head (#10-32 x 1/4")
11	856-0003	1	Washer, Lock - External/Internal Tooth (#10)
12	312-0058	1	Capacitor
13	813-0086	1	Screw, Machine - Round Head (#10-32 x 1/4")

REF. NO.	PART NO.	QTY. USED	PART DESCRIPTION
14	856-0003	1	Washer, Lock - External/Internal Tooth (#10)
15	508-0026	1	Grommet (13/32")
16	815-0391	2	Screw, Tapping - Hex Head (#10-32 x 1/2")
17	853-0008	2	Washer, Lock - External/Internal Tooth (5/16")
18	308-0345	1	Switch, Toggle
19	812-0076	1	Screw, Machine - Round Head (#8-32 x 5/16")
20	860-0008	1	Nut, Hex (#8-32)
21	853-0005	1	Washer, Lock - External/Internal Tooth (#8)
22	357-0022	1	Rectifier, Diode
23	332-1650	1	Strip, Terminal
24	332-1646	2	Clip, Retaining
25	338-0745	1	Harness, Wiring
26	508-0002	1	Grommet (1/2")
27	301-3680	1	Box, Control

REMOTE START CONTROL GROUP - OPTIONAL

(Used With Three Wire Start Circuits Only.)



REF. NO.	PART NO.	QTY. USED	PART DESCRIPTION	REF. NO.	PART NO.	QTY. USED	PART DESCRIPTION
1	308-0165	1	Control Package - Remote Starting (Includes Parts Marked *)	12	300-0986	1	**Control Assembly Remote Starting - Deluxe (Includes Parts Marked £)
2	815-0385	2	*Screw, Machine - Round Head, Black Zinc Finish (#6-32 x 1/2")	13	308-0341	1	£Switch, Push - DPDT (Momentary) With Intergal 12 Volt Lamp
3	308-0154	1	*Switch, Toggle - SPDT	14	359-0034	1	£Diode
4	308-0168	1	*Plate, Mounting	15	302-0888	1	£Meter, Battery Condition
5	300-1030	1	Control Package - Standard, Remote Starting (Includes Parts Marked †)	16	815-0385	2	£Screw, Machine - Round Head, Black Zinc Finish (#6-32 x 1/2")
6	815-0380	2	†Screw, Wood - Oval Head, Black Oxide (#5 x 1/2")	17	860-0005	2	£Nut, Hex (#6-32)
7	300-0985	1	†Control Assembly, Remote Starting - Standard (Includes Parts Marked *)	18	302-0885	1	£Meter, Time Totalizing
8	308-0341	1	*Switch, Push - DPDT (Momentary) With Intergal 12 Volt Lamp	19	301-3606	1	£Panel, Control
9	301-3566	1	*Panel, Control	20	302-0562	1	Voltmeter, DC (0-20)
10	300-1031	1	Control Package - Deluxe, Remote Starting (Includes Parts Marked **)	21	302-0561	1	Ammeter, DC (0-10)
11	815-0380	4	**Screw, Wood - Oval Head, Black Oxide (#5 x 1/2")				

* - Parts Included in Control Package 308-0165.
 † - Parts Included in Control Package 300-1030.
 * - Parts Included in Control Assembly 300-0985.
 ** - Parts Included in Control Package 300-1031.
 £ - Parts Included in Control Assembly 300-0986.

SERVICE KITS & MISCELLANEOUS

REF. NO.	PART NO.	QTY. USED	PART DESCRIPTION
	C98-1100	1	Decal Kit
	168-0129	1	Gasket Kit, Set
	522-0274	1	Overhaul Kit, Set
	TOUCH-UP PAINT (Pressurized Can)		
	525-0137	1	Metallic Green (16 oz.)
	525-0305	1	Non-Metallic Green (13 oz.)

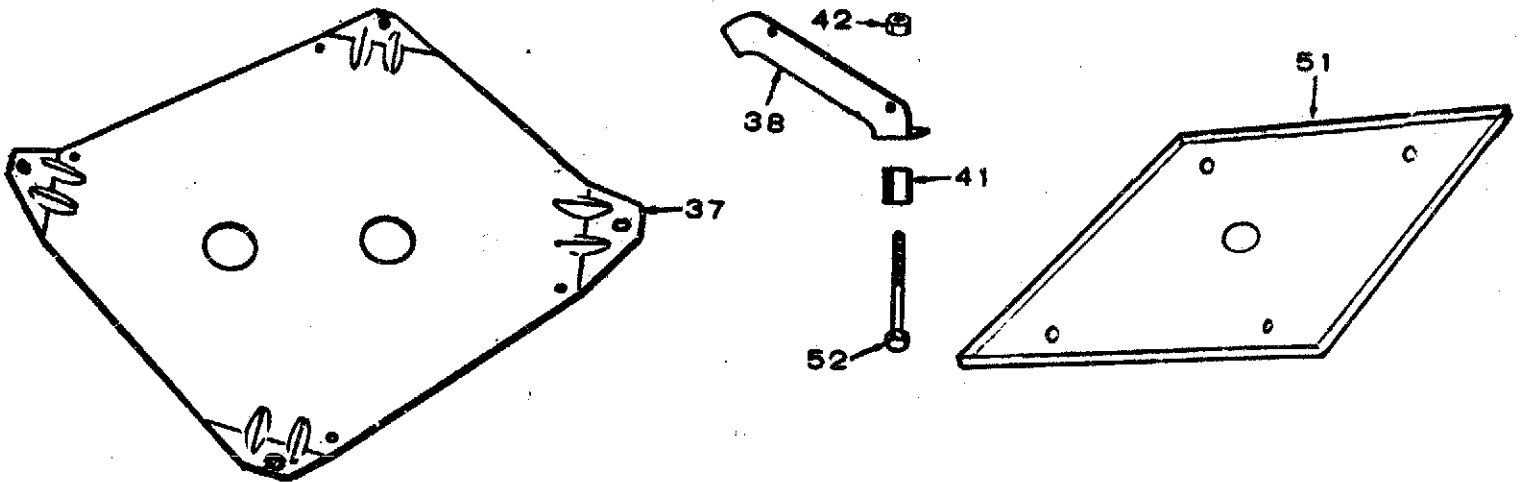
NOTE: For other kits, refer to the group for the part in question.

924-1021 (4-77)

SUPPLEMENTARY PARTS LIST

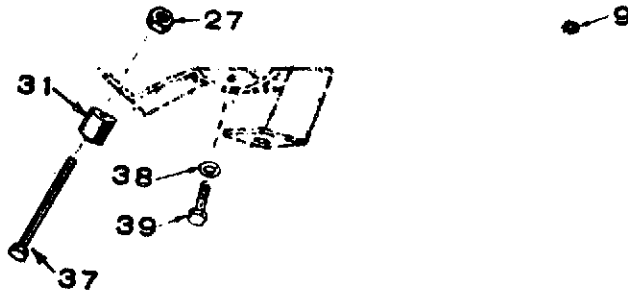
These parts apply to the 2.7AJ Recreational Vehicle Generator Sets begin Serial Number C770217418 during Spec N. Use these parts in place of/or in addition to those listed in the main parts catalog number 924-0220.

CYLINDER BLOCK GROUP



REF. NO.	PART NO.	QTY USED	PART DESCRIPTION
37	403-1293	1	Plate, Mounting
38	403-1294	1	Bracket, Engine Mounting
40	DELETE		
41	402-0421	4	Mount, Vibration Cushion
42	870-0117	2	Nut, Hex - Self Locking (7/16-14)
43	DELETE		
44	DELETE		
47	DELETE		
51	403-1288	1	Pan, Drip
52	800-0076	2	Screw, Cap - Hex Head (7/16-14 x 2-1/4")

GENERATOR GROUP



<u>REF. NO.</u>	<u>PART NO.</u>	<u>QTY. USED</u>	<u>PART DESCRIPTION</u>
9	856-0008	2	Washer, Lock - EIT (5/16")
10	DELETE		
27	870-0117	2	Nut, Hex - Self Locking (7/16-14)
28	DELETE		
29	DELETE		
30	DELETE		
31	402-0421	2	Mount, Vibration Cushion
37	800-0076	2	Screw, Cap - Hex Head (7/16-14 x 2-1/4")
38	850-0050	2	Washer, Lock - Spring (3/8")
39	800-0050	2	Screw, Cap - Hex Head (3/8-16 x 1")

PART NO.	QTY.	DESCRIPTION	PART NO.	QTY.	DESCRIPTION
503-0679	1	Hose, Breather (13" LG)			
505-0906	1	Nipple, Exhaust (3/4" x 5" LG)			
141-0078	2	Gasket - (1) Carburetor Mtg. (1) Intake Manifold Mtg.			
149-1460	1	Line, Fuel - Filter to Carburetor)			
149-1549	1	Shield, Fuel Deflection			
502-0002	1	Elbow, Inverted Male - Carb Inlet			
502-0003	1	Connector, Inverted Male - Fuel Solenoid Valve			
332-0527	1	Terminal, Solenoid Lead (Positive Coil Post)			
166-0286	1	Screw, Ignition Coil Bracket			
332-0050	1	Clip, Wire - Spark Plug Lead			
332-1918	1	Strip, Terminal			
508-0005	1	Grommet, Rubber - Control Box (9/16" Hole)			

SPECIAL PARTS LIST FOR MODEL 2.0AJ-52R SPEC 12020M

FOR STANDARD PARTS REFER TO CATALOG 924-0220 KEY NO.

(PARTS CATALOG ALSO CONTAINS COMPONENTS FOR MAJOR OPTIONAL FEATURES LISTED BELOW)

WIRING DIAGRAM NO. 611-1106-01

PART NO.	QTY.	DESCRIPTION	PART NO.	QTY.	DESCRIPTION
503-0679	1	Hose, Breather (13" LG)			
505-0906	1	Nipple, Exhaust (3/4" x 5" LG)			
141-0078	2	Gasket - (1) Carburetor Mtg. (1) Intake Manifold Mtg.			
149-1460	1	Line, Fuel - Filter to Carburetor			
149-1549	1	Shield, Fuel Deflection			
502-0002	1	Elbow, Inverted Male - Carb Inlet			
502-0003	1	Connector, Inverted Male - Fuel Solenoid Valve			
332-0527	1	Terminal, Solenoid Lead (Positive Coil Post)			
166-0286	1	Screw, Ignition Coil Bracket			
332-0050	1	Clip, Wire - Spark Plug Lead			
353-0017	1	Resistor, Fixed (7.5 Ohm, 50 Watt)			
520-0086	1	Stud, Resistor Mounting			
304-0015	2	Washer, Resistor Centering			
332-1918	1	Strip, Terminal			
508-0005	1	Grommet, Rubber - Control Box (9/16" Hole)			
201-2318	1	Armature Assembly			
222-1807	1	Coil Assembly, Field			

PART NO.	QTY.	DESCRIPTION	PART NO.	QTY.	DESCRIPTION
503-0679	1	Hose, Breather (13" LG)			
505-0906	1	Nipple, Exhaust (3/4" x 5" LG)			
141-0078	2	Gasket - (1) Carburetor Mtg. (1) Intake Manifold Mtg.			
149-1460	1	Line, Fuel - Filter to Carburetor			
149-1549	1	Shield, Fuel Deflection			
502-0002	1	Elbow, Inverted Male - Carb Inlet			
502-0003	1	Connector, Inverted Male - Fuel Solenoid Valve			
332-0527	1	Terminal, Solenoid Lead (Positive Coil Post)			
166-0286	1	Screw, Ignition Coil Bracket			
332-0050	1	Clip, Wire - Spark Plug Lead			
332-1918	1	Strip, Terminal			
508-0005	1	Grommet, Rubber - Control Box (9/16" Hole)			

SPECIAL PARTS LIST FOR MODEL 2.0AJ-52R SPEC 12020N

FOR STANDARD PARTS REFER TO CATALOG 924-0220 KEY NO. -

(PARTS CATALOG ALSO CONTAINS COMPONENTS FOR MAJOR OPTIONAL FEATURES LISTED BELOW)

WIRING DIAGRAM NO. 611-1106-01

PART NO.	QTY.	DESCRIPTION	PART NO.	QTY.	DESCRIPTION
503-0679	1	Hose, Breather (13" LG)			
505-0906	1	Nipple, Exhaust (3/4" x 5" LG)			
141-0078	2	Gasket - (1) Carburetor Mtg. (1) Intake Manifold Mtg.			
149-1460	1	Line, Fuel - Filter to Carburetor			
149-1549	1	Shield, Fuel Deflection			
502-0002	1	Elbow, Inverted Male - Carb Inlet			
502-0003	1	Connector, Inverted Male - Fuel Solenoid Valve			
332-0527	1	Terminal, Solenoid Lead (Positive Coil Post)			
166-0286	1	Screw, Ignition Coil Bracket			
332-0050	1	Clip, Wire - Spark Plug Lead			
353-0017	1	Resistor, Fixed (7.5 Ohm, 50 Watt)			
520-0086	1	Stud, Resistor Mounting			
304-0015	2	Washer, Resistor Centering			
332-1918	1	Strip, Terminal			
508-0005	1	Grommet, Rubber - Control Box (9/16" Hole)			
201-2318	1	Armature Assembly			
222-1807	1	Coil Assembly, Field			

SPECIAL PARTS LIST FOR MODEL 2.7AJ-1R SPEC 12020N

FOR STANDARD PARTS REFER TO CATALOG 924-0220 KEY NO. -

(PARTS CATALOG ALSO CONTAINS COMPONENTS FOR MAJOR OPTIONAL FEATURES LISTED BELOW)

WIRING DIAGRAM NO. 611-1106-01

PART NO.	QTY.	DESCRIPTION	PART NO.	QTY.	DESCRIPTION
503-0679	1	Hose, Breather (13" LG)			
505-0906	1	Nipple, Exhaust (3/4" x 5 "LG)			
141-0078	2	Gasket - (1) Carburetor Mtg. (1) Intake Manifold Mtg.			
149-1460	1	Line, Fuel - Filter to Carburetor			
149-1549	1	Shield, Fuel Deflection			
502-0002	1	Elbow, Inverted Male - Carb Inlet			
502-0003	1	Connector, Inverted Male - Fuel Solenoid Valve			
332-0527	1	Terminal, Solenoid Lead (Positive Coil Post)			
166-0286	1	Screw, Ignition Coil Bracket			
332-0050	1	Clip, Wire - Spark Plug Lead			
332-1918	1	Strip, Terminal			
508-0005	1	Grommet, Rubber - Control Box (9/16" Hole)			
155-1239	1	Clamp, Muffler (1-1/2" Pipe)			