

The following catalog has gaps in its page numbers, or doesn't have any numbers. We have chosen to leave the page numbering in the order that Acrobat assigns it.

# Onan

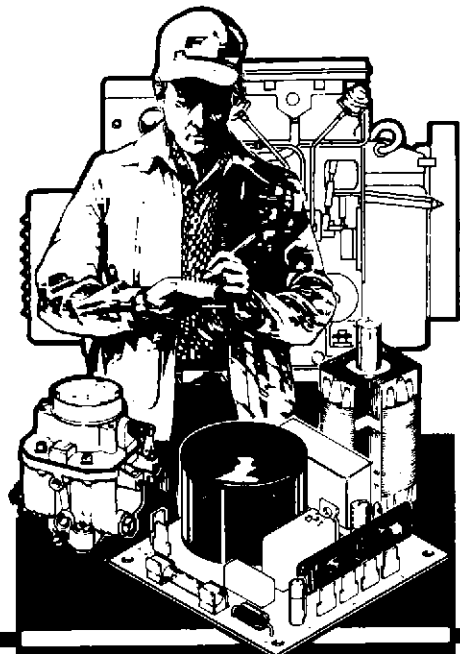
## Parts Manual

3.0 kW

AJ

### RV Electric Generating Set

924-0222  
8-88 (Spec P-S)  
Replaces 9-81 (Spec P-S)  
Printed in U.S.A.



Onan Service Parts



Onan Corporation  
A Subsidiary of  
McGraw-Edison Company  
1400 73rd Avenue N.E.  
Minneapolis, MN 55432  
612 574-5000

## Supplement 924-2000

Date: 11/8/83

Insert with -

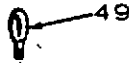
Title: Parts Catalog

Number: 924-0222

These parts apply to 2.5AJ-RV Gen Sets (50 Hz) beginning Spec S. Use these parts in place of/or in addition to those listed in the main parts catalog.

Parts that are similar in appearance to those in the main parts catalog are not illustrated. Referenced parts under a main descriptive title that are not listed herein do not change.

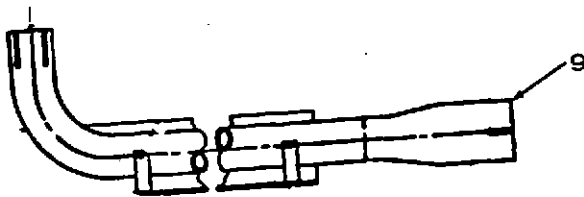
### CYLINDER BLOCK



REF. NO.	PART NO.	QTY. USED	PART DESCRIPTION
49	403-0856	1	Eye Bolt, Lifting

### FUEL SYSTEM

REF. NO.	PART NO.	QTY. USED	PART DESCRIPTION
1	146-0355	1	Carburetor, Gasoline (Kit) (Includes Mounting Gasket)
22	307-1302	1	Valve, Fuel Safety Shutoff (Electric)



### EXHAUST SYSTEM

REF. NO.	PART NO.	QTY. USED	PART DESCRIPTION
9	155-1588	1	Tube Assembly, Exhaust (Includes Heat Shield)

### GENERATOR

REF. NO.	PART NO.	QTY. USED	PART DESCRIPTION
3	510-0047	1	+ Bearing, Ball
10	815-0391	2	Screw, Cap - Hex Head 50 Hz - Spec S (#10-32 x 1/2")
12	ARMATURE ASSEMBLY, WOUND		
	201-2658	1	240 Volt, 50 Hz (Includes Parts Marked +)
	201-2659	1	120 Volt, 50 Hz (Includes Parts Marked +)
13	203-0148	1	+ Commutator (DC)
14	204-0009	1	+ Collector Ring (AC)

+ - Parts Included in 201-2658 Armature Assembly.  
201-2659

### CONTROL

REF. NO.	PART NO.	QTY. USED	PART DESCRIPTION
35	332-0147	2	Terminal (#10)
47	517-0132	1	Plug, Output Box (7/16")
48	870-0183	2	Nut, Hex (6-32 wet)



## Index

Adapter, Air Cleaner 10  
Armature, Generator 16

Bearing, Camshaft 4  
Bearing, Crankshaft 4  
Bell, End 16  
Block, Cylinder 4  
Block, Terminal 18  
Bolt, Lifting 4  
Box, Breaker 13  
Box, Control 19  
Bracket, Exhaust 14  
Bracket, Governor 9  
Breaker, Circuit 18  
Brush, Generator 16

Camshaft 7  
Carburetor, Gasoline 10  
Carburetor Components 12  
Clamp, Muffler 14  
Coil, Ignition 13  
Condenser, Ignition 13  
Control, Remote Start 21  
Cover, Air Cleaner 10  
Cover, Control Box 18  
Cover, End Bell 16  
Cover, Valve 6  
Crankshaft 7  
Cushion, Vibration 16

Element, Air Cleaner 10

Filter, Fuel 10  
Frame, Generator 16  
Fuse, 5 Amp 18

Gasket, Gear Cover 9  
Gasket, Valve Cover 6  
Gear, Camshaft 7  
Gear, Crankshaft 7  
Gearcase 9  
Generator 16  
Governor 9  
Guide, Valve 4

Harness, Wiring 18  
Harness, Wiring - Remote 21  
Head, Cylinder 4  
Hose, Breather 6  
Housing, Blower 15  
Housing, Choke 10

Kit, Carburetor Repair 12  
Kit, Fuel Pump Repair 11  
Kit, Gasket 4  
Kit, Label 22  
Knob, Air Cleaner 10

Line, Fuel - Gasoline 10

Manifold, Intake 10  
Muffler, Spark Arrestor 14

Paint 22  
Pan, Drip 4  
Pan, Oil 4  
Panel, Control 19,21  
Piston 8  
Plate, Mounting 4,21  
Plug, Spark 13  
Points, Ignition 13  
Pump, Fuel 10  
Pump, Fuel - Components 11  
Pump, Oil 4

Relay, Start Solenoid 18  
Resistor, Fixed 18  
Ring, Piston 8  
Rod, Connecting 8  
Rod, Governor 9

Scroll, Air 15  
Seal, Oil - Crankshaft 4,9  
Seat, Valve 4  
Shield, Heat - Exhaust 14  
Spring, Governor 9  
Strap, Bond 5  
Switch, Pressure - Oil 4  
Switch, Rocker - Control 18

Tappet, Valve 6  
Tube, Exhaust 14

Valve, Breather 6  
Valve, Exhaust 6  
Valve, Fuel Safety 10  
Valve, Intake 6

Wheel, Blower 15

## Introduction

This catalog applies to the standard 3.0 AJ Recreational Vehicle generator set. Parts are arranged in groups of related items. Each illustrated part is identified by a reference number corresponding to the same reference number in the parts list for that group. Parts illustrations are typical. Using the model and specification number from the nameplate, select parts from this catalog that apply to your set. Unless otherwise mentioned in the description, parts are interchangeable between models. Right and left sides are determined by facing the engine end (front) of the set.

**Generator Set Data Table**

MODEL AND SPECIFICATION	ELECTRICAL DATA					
	TYPE	WATTS	VOLTS	HERTZ	WIRE	PHASE
2.5 AJ-524R/*	REMOTE	2500	220	50	2	1
3.0 AJ-1R/*	REMOTE	3000	120	60	2	1

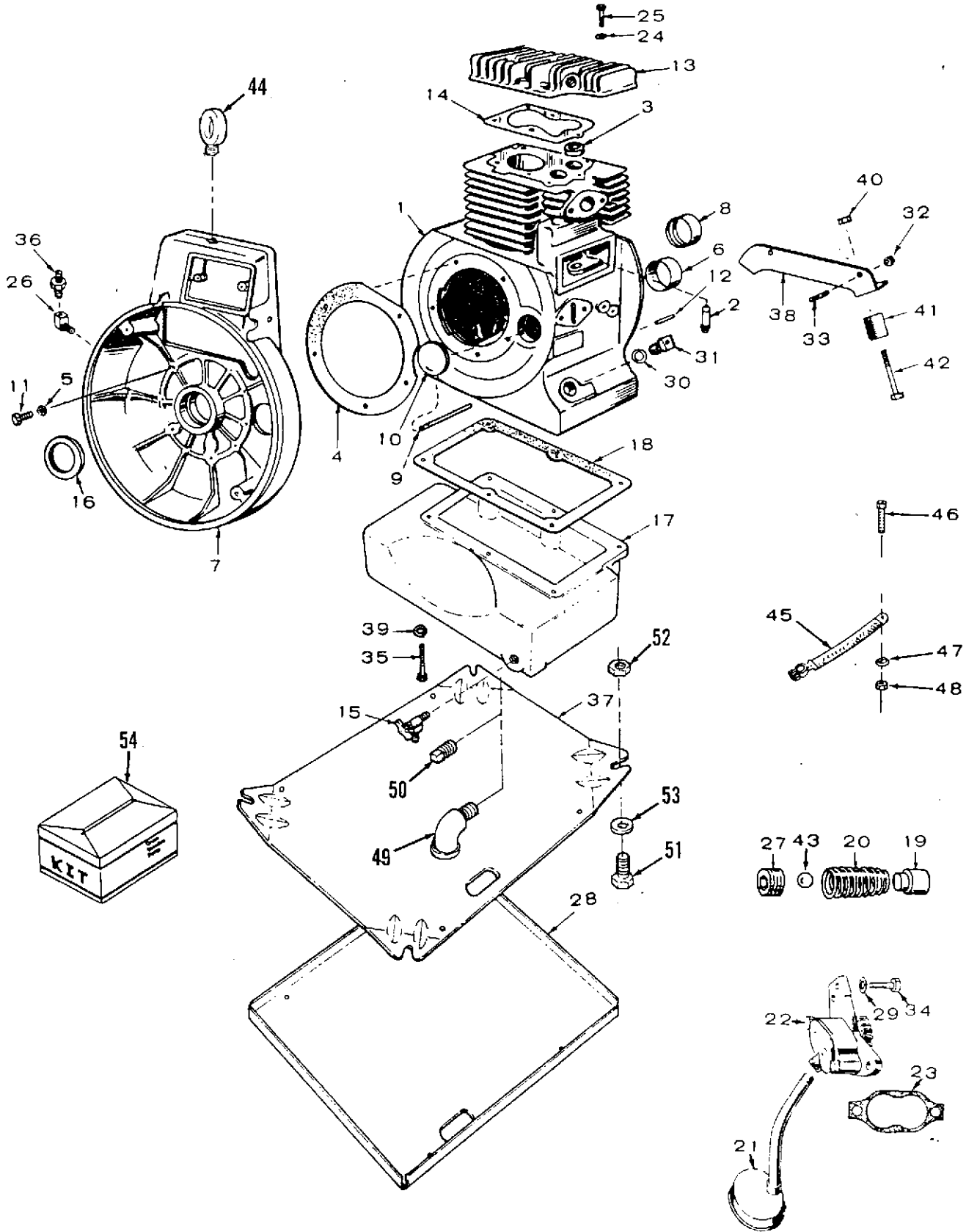
\* - The Specification Letter advances (A to B, B to C, etc.) with manufacturing changes.

The letter R in MODEL and SPEC denotes electric start with start-stop at both the set and the remote control.

### NOTICE!

Items referenced as **Optional** indicate part is factory installed and may not be applicable to all models. For field conversions, additional parts are usually required.

# Cylinder Block

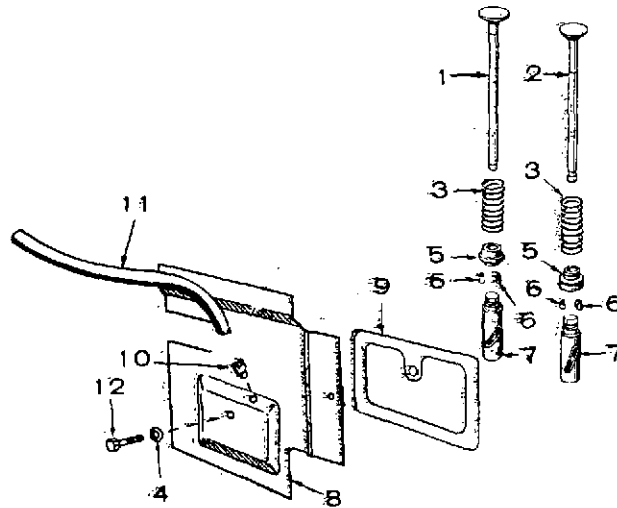


## Cylinder Block

REF NO.	PART NO.	QTY USED	PART DESCRIPTION	REF NO.	PART NO.	QTY USED	PART DESCRIPTION
1		1	Block, Cylinder (See Short Block Catalog #932-0109) (Includes Parts Marked *)	26	502-0196	1	Elbow, Oil Pressure Switch Mounting
2	110-0441	2	*Guide, Valve	27	505-0274	1	Plug, Oil By-Pass
3			Insert, Valve Seat - Exhaust (Chrome - Cobalt)	28	403-1376	1	Pan, Drip
	110-0826	1	*Standard	29	850-0040	2	Washer, Lock - Spring (1/4")
	110-0826-02	1	.002" Oversize	30	102-0612	1	Gasket, Oil Fill Plug
	110-0826-05	1	.005" Oversize	31	102-0753	1	Plug, Oil Fill
	110-0826-10	1	.010" Oversize	32	104-0091	2	Nut, Hex (Special)
	110-0826-25	1	.025" Oversize	33	520-0119	2	Stud, Engine Mounting Bracket
4	101-0257	1	*Kit, Gasket - Bearing Plate to Engine	34	800-0007	2	Screw, Cap - Hex Head (1/4-20 x 1")
5	850-0045	5	*Washer, Lock - Spring (5/16")	35	800-0056	6	Screw, Cap - Hex Head (3/8-16 x 2-1/2")
6	101-0367	2	*Bearing, Camshaft	36	309-0322	1	Kit, Switch - Oil Pressure (Includes Terminals)
7			Plate, Generator Adapter and Rear Bearing (Less Bearing)	37	403-1372	1	Plate, Mounting
	231-0217	1	Begin Spec R	38	403-1294	1	Bracket, Engine Mounting
	231-0258	1	Spec P (Kit)	39	850-0050	6	Washer, Lock - Spring (3/8")
8			Bearing, Crankshaft	40	870-0330	4	Nut, Hex - Self Locking (7/16-14)
	101-0290	2	*Standard	41	402-0428	4	Cushion, Vibration - Engine End Mount
	101-0290-02	2	.002" Undersize	42	800-0076	4	Screw, Cap - Hex Head (7/16-14 x 2-1/4")
	101-0290-10	2	.010" Undersize	43	510-0043	1	Bearing, Ball - Steel (5/16")
	101-0290-20	2	.020" Undersize	44	403-0856	1	Bolt, Eye - Lifting, 50 Hertz, Spec S
	101-0290-30	2	.030" Undersize	45			Strap, Bond Lower
9	120-0387	1	*Tube, Crankcase - Oil		337-0049	1	Lower
10	517-0048	1	*Plug, Expansion		337-0091	1	Upper - Spec S
11	800-0029	5	*Screw, Cap - Hex Head (5/16-18 x 1-1/8")	46	800-0003	1	Screw, Cap - Hex Head - Bond Strap (1/4-20 x 1/2")
12	516-0012	2	*Pin, Dowel - Gear Cover Alignment	47			Washer, Lock (EIT) - Bond Strap
13	110-2628	1	Head, Cylinder		856-0006	1	Spec R (1/4")
14	110-0836	1	Gasket, Cylinder Head		856-0008	1	Spec S (5/16")
15	504-0017	1	Valve, Oil Drain - Begin Spec S	48	862-0001	1	Nut, Hex - Bond Strap (1/4-20)
16	509-0123	1	Seal, Oil - Crankshaft Rear (Note: Included in 168-0129 Gasket Kit)	49	505-0011	1	Elbow, 90° - 60 Hertz
17	102-0864	1	Pan, Oil	50	505-0054	1	Plug, Square Head - Oil Drain (1/4") (60 Hertz)
18	102-0866	1	Gasket, Oil Pan	51	800-0090	4	Screw, Cap - Hex Head (1/2-13 x 1")
19	120-0012	1	Plunger, Oil By-Pass	52	862-0016	4	Nut, Hex (1/2-13)
20	120-0140	1	Spring, Oil By-Pass	53	850-0060	4	Washer, Lock (1/2")
21	120-0571	1	Cup, Oil Pump Intake (Includes Screen)	54	168-0129	1	Kit, Gasket - Engine Overhaul
22	120-0394	1	Pump, Oil (Includes Mounting Gasket)				
23	120-0161	1	Kit, Gasket - Oil Pump				
24	526-0122	7	Washer, Flat - Hardened (5/16" Screw)				
25			Screw, Cap - Hex Head (Hardened)				
	110-0879	6	Special				
	114-0171	1	Special				

\* - Parts Included in Cylinder Block.

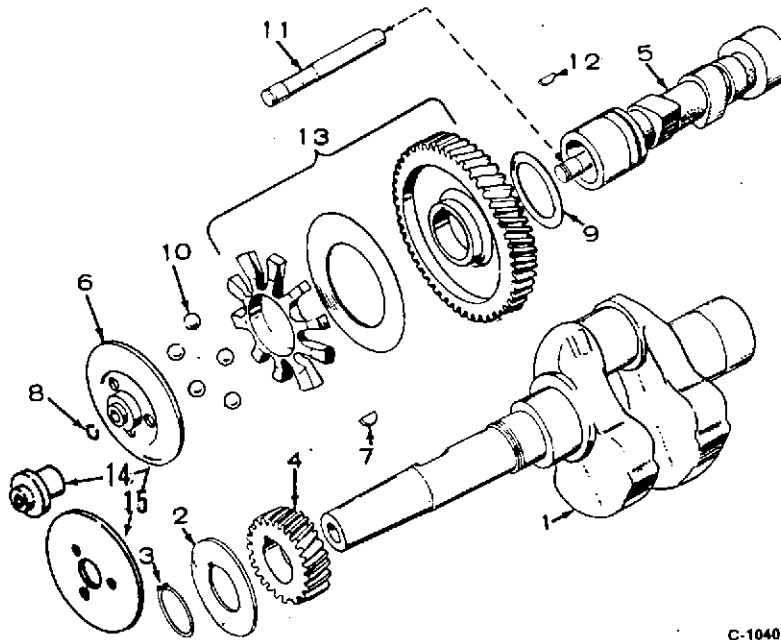
## Valve and Breather



REF NO.	PART NO.	QTY USED	PART DESCRIPTION	REF NO.	PART NO.	QTY USED	PART DESCRIPTION
1	110-0828	1	Valve, Intake	7	115-0006	2	Tappet, Valve
2	110-0827	1	Valve, Exhaust	8	110-2248	1	Cover, Valve
3	110-0609	2	Spring, Valve	9	110-0832	1	Gasket, Valve Cover
4	526-0063	1	Washer, Flat - Copper (#10 Screw)	10	123-0486	1	Valve, Breather
5	110-0540	2	Rotocap, Valve	11	503-0679	1	Hose, Breather (13")
6	110-0008	4	Lock, Valve Spring Retainer	12	800-0015	1	Screw, Cap - Hex Head (1/4-20 x 3")



## Camshaft and Crankshaft

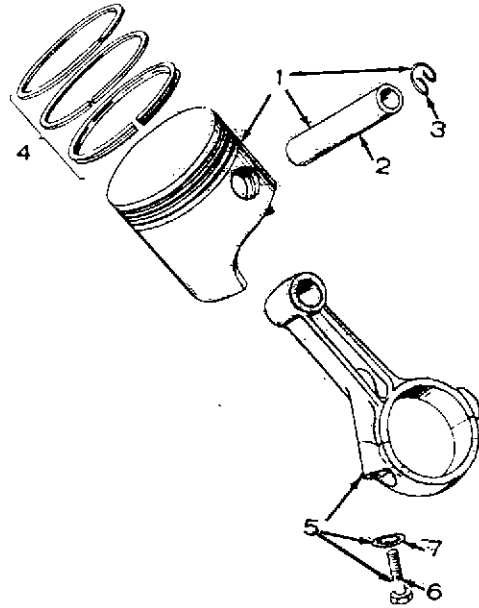


C-1040

REF NO.	PART NO.	QTY USED	PART DESCRIPTION	REF NO.	PART NO.	QTY USED	PART DESCRIPTION
1	104-1302	1	Crankshaft (Includes Parts Marked †)	8	150-0078	1	Ring, Lock - Cam Center Pin
	515-0113	1	†Key (Not Shown)	9	105-0541	1	Washer, Camshaft Thrust
2	104-0050	1	Washer, Crankshaft Gear	10	510-0015	5	Ball, Fly - Governor
3	518-0012	1	Ring, Lock - Crankshaft Gear Washer	11	150-0075	1	Pin, Camshaft Center
4	104-0048	1	Gear, Crankshaft	12	515-0001	1	Key, Woodruff
5	105-0300	1	Camshaft (Includes Pin)	13	105-0377	1	Gear, Camshaft
6	150-1695	1	Kit, Cup - Governor (Includes Hub and Cup)	14	150-1519	1	Hub, Governor Cup
7	515-0001	1	†Key, Woodruff	15	150-1520	1	Cup, Governor (Includes Bushing)

† - Parts Included in 104-1302 Crankshaft Kit

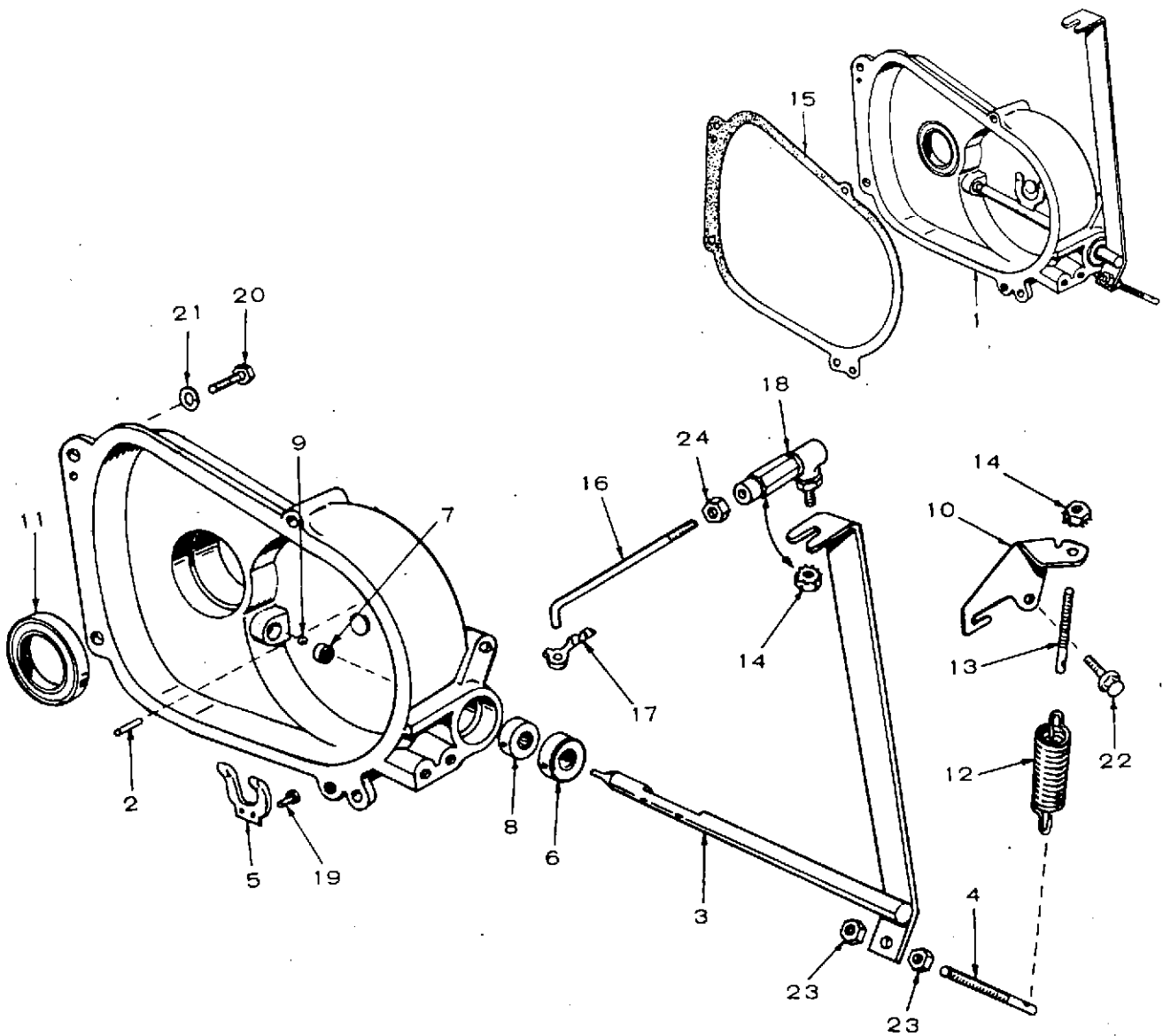
# Piston and Rod



REF NO.	PART NO.	QTY USED	PART DESCRIPTION	REF NO.	PART NO.	QTY USED	PART DESCRIPTION
1	112-0184	1	Piston (Includes Pin and Rings)	5	114-0283	1	Rod, Connecting
	112-0184-05	1	Standard		114-0283-10	1	Standard
	112-0184-10	1	.005" Oversize		114-0283-20	1	.010" Undersize
	112-0184-20	1	.010" Oversize		114-0283-30	1	.020" Undersize
	112-0184-30	1	.020" Oversize		114-0283-30	1	.030" Undersize
	112-0184-40	1	.030" Oversize	6	114-0023	2	Screw, Cap - Hex Head (Special)
	112-0184-40	1	.040" Oversize	7	854-0014	2	Washer, Lock - Internal Tooth (1/4")
2	112-0063	1	Pin, Piston				
3	112-0013	2	Ring, Retaining				
4			Ring Set				
	113-0193	1	Standard				
	113-0193-10	1	.010" Oversize				
	113-0193-20	1	.020" Oversize				
	113-0193-30	1	.030" Oversize				
	113-0193-40	1	.040" Oversize				

0337 SPS  
63501

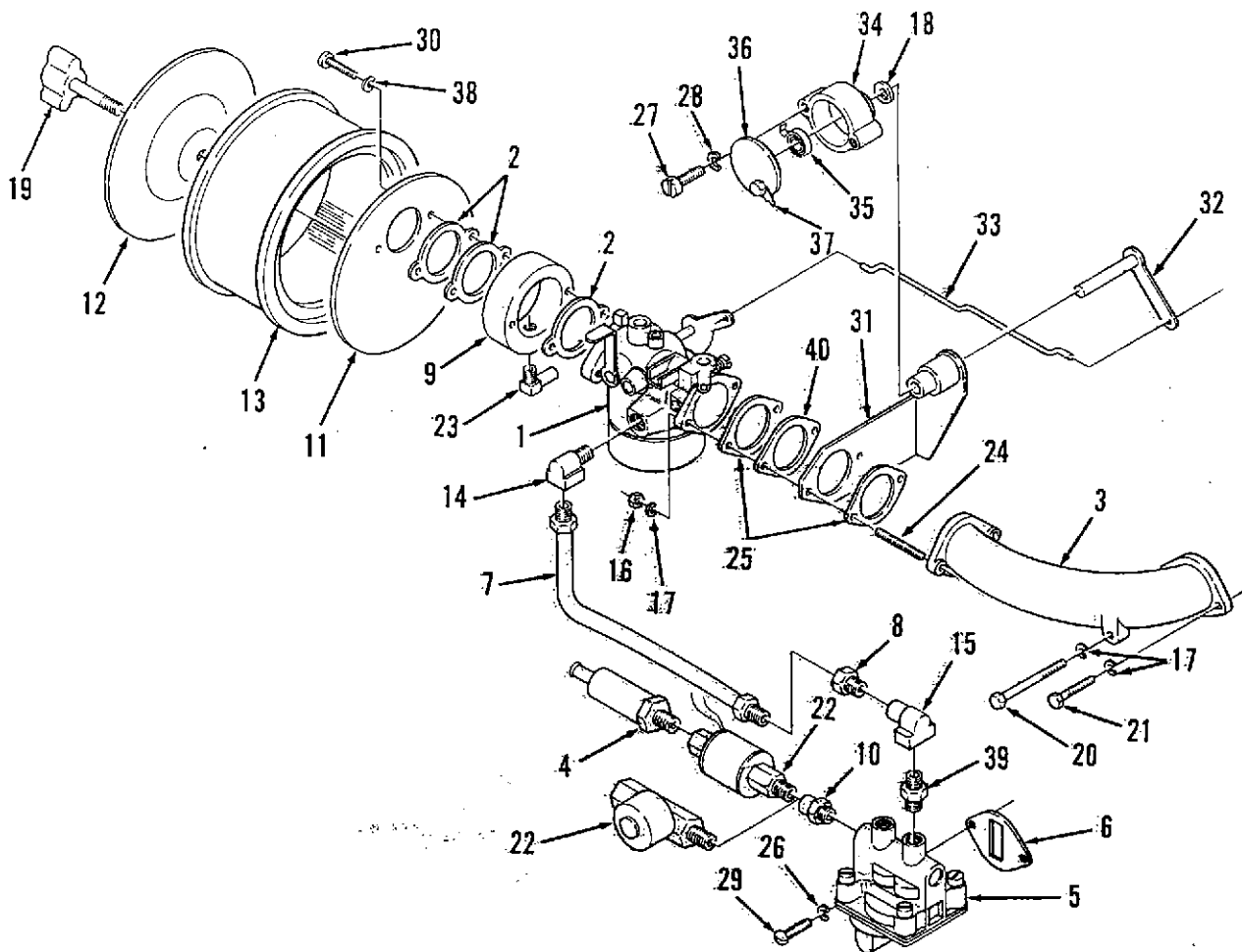
# Gearcase



REF NO.	PART NO.	QTY USED	PART DESCRIPTION	REF NO.	PART NO.	QTY USED	PART DESCRIPTION
1	103-0435	1	Gearcase (Includes Parts Marked *)	15	103-0013	1	Gasket, Gear Cover
2	516-0117	1	*Pin, Roll - Governor Cup Stop (3/16 x 13/16")	16	150-1428	1	Rod, Governor Arm to Carburetor
3	150-1426	1	*Arm and Shaft, Governor	17			Clip, Governor Link to Carburetor
4	150-0177	1	*Stud, Governor Sensitivity Adjusting		518-0004	1	Through Spec R
5	150-1187	1	*Yoke, Governor Shaft		518-0006	1	Begin Spec S
6	509-0008	1	*Seal, Oil - Governor Shaft	18	150-0639	1	Joint, Ball
7	510-0008	1	*Bearing, Governor Shaft - Lower	19	815-0046	2	*Screw, Machine - Pan Head, Cross Recessed (#8-32 x 3/8")
8	510-0013	1	*Bearing, Governor Shaft - Upper		800-0031	2	5/16-18 x 1-1/2"
9	510-0014	1	*Ball, Governor Shaft Thrust		800-0034	2	5/16-18 x 2-1/4"
10	150-1429	1	Bracket, Governor Spring	21	850-0045	4	Washer, Lock - Gear Cover Mounting (5/16")
11	509-0012	1	*Seal, Oil	22	815-0290	1	Screw, Tapping - Hex Washer Head (1/4-20 x 5/8")
12	150-0098	1	Spring, Governor	23	870-0053	2	*Nut, Hex (#10-32)
13	150-0096	1	Stud, Governor Spring Tension Adjusting	24	870-0053	1	Nut, Hex (#10-32)
14	870-0131	2	Nut, Hex - With External Tooth Lockwasher (#10-32)				

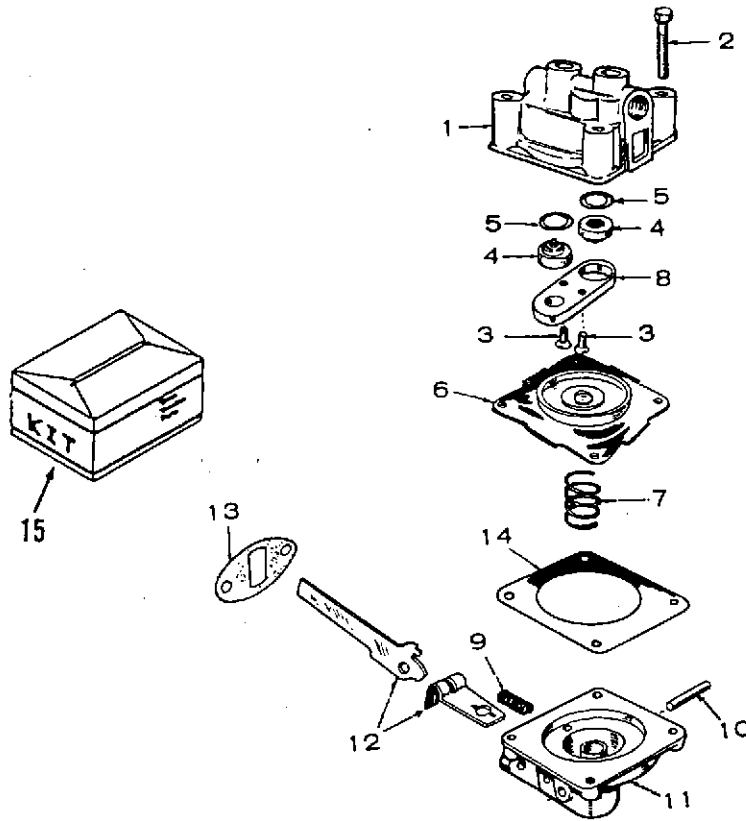
\* - Parts Included in Gearcase.

## Fuel System



REF NO.	PART NO.	QTY USED	PART DESCRIPTION	REF NO.	PART NO.	QTY USED	PART DESCRIPTION
1	146-0355	1	Carburetor (See Separate Page for Components) (Includes Mounting Gasket)	21	800-0007	1	Screw, Cap - Hex Head (1/4-20 x 1")
2	145-0446	3	Gasket, Air Cleaner to Carburetor	22		1	Valve, Fuel Safety Shutoff - Electric
3	154-1601	1	Manifold, Intake	307-1279		1	Use through S/N 518697
4	149-1353	1	Filter, Fuel	149-1861		1	Begin S/N 518698
5	149-1784	1	Pump, Fuel (See Separate Page for Components) (Includes Mounting Gasket)	307-1302		1	50 Hertz, Spec S
6	149-0003	1	Gasket, Fuel Pump Mounting	23	502-0433	1	Elbow, Hose
7	149-1460	1	Line, Fuel Pump to Carburetor	24	520-0870	2	Stud, Carburetor to Manifold
	149-1735	1	Use with Electric Fuel Solenoid - Through S/N 518697	25	141-0078	2	Gasket, Carburetor Mounting
		1	Use with Manual Fuel Solenoid - Begin S/N 518698	26	526-0063	2	Washer, Flat - Copper (1/4" Screw)
8	502-0003	1	Connector, Inverted Male	27	815-0285	2	Screw, Machine - Round Head W/ET (#8-32 x 5/16")
9	145-0511	1	Adapter, Air Cleaner to Carburetor	28	526-0048	2	Washer, Flat - Brass (#8 Screw)
10	502-0082	1	Nipple, Solenoid Mounting	29	806-0008	2	Screw, Machine - Round Head (1/4-20 x 5/8")
11	140-1287	1	Plate, Air Cleaner Base	30	812-0087	2	Screw, Machine - Round Head (#8-32 x 1-1/2")
12	140-1288	1	Cover, Air Cleaner	31	153-0505	1	Bracket, Choke (Includes Bushing)
13	140-1188	1	Element, Air Cleaner	32	146-0241	1	Shaft, Choke
14	502-0020	1	Elbow, Street	33	153-0504	1	Link, Choke
15	502-0002	1	Elbow, Inverted Male	34	153-0440	1	Housing, Choke
16	868-0001	2	Nut, Hex (Special)	35	153-0017	1	Element, Choke
17	850-0040	4	Washer, Lock - Spring (1/4")	36	153-0115	1	Cover, Choke
18	518-0387	1	Retainer, Push-on	37	332-0527	1	Terminal, Choke
19	140-1551	1	Knob, Air Cleaner	38	850-0025	2	Washer, Lock - Spring (#8)
20	800-0012	1	Screw, Cap - Hex Head (1/4-20 x 2-1/4")	39	502-0175	1	Adapter, Pipe (1/8")
				40	145-0469	1	Flange

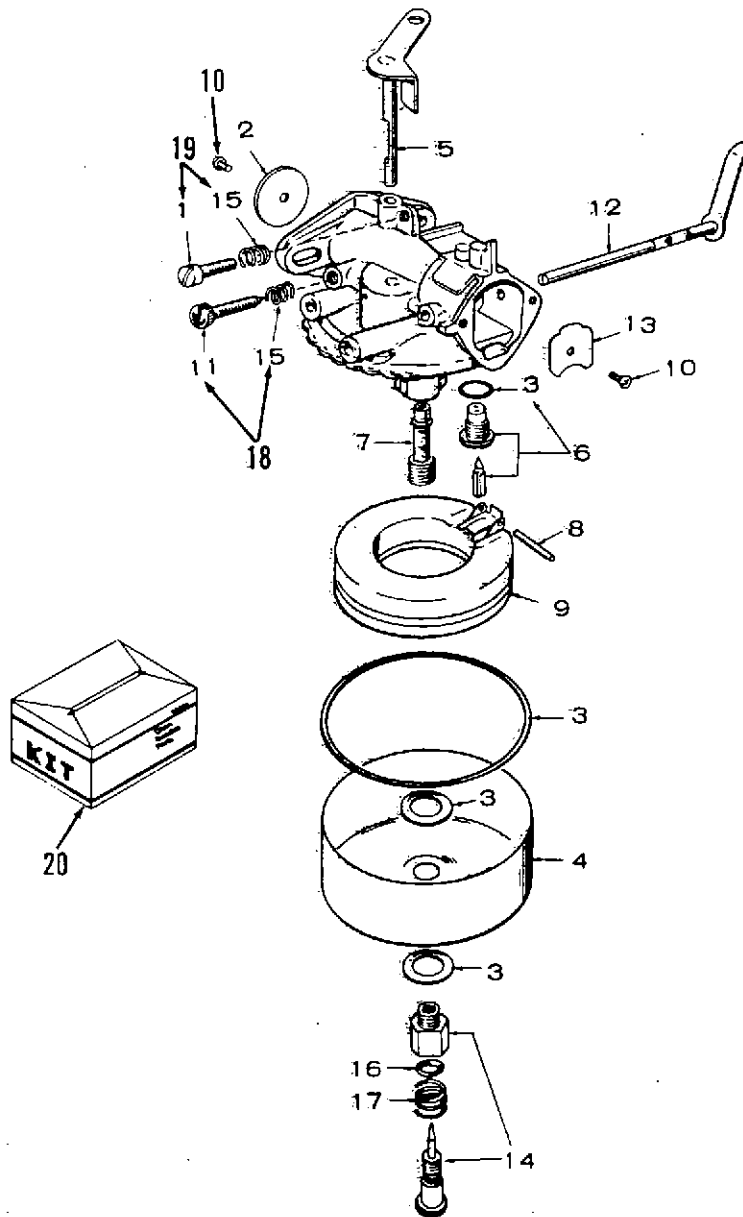
# Fuel Pump Components



REF NO.	PART NO.	QTY USED	PART DESCRIPTION	REF NO.	PART NO.	QTY USED	PART DESCRIPTION
	149-1784	1	Pump, Fuel (Illustrated in Fuel System Group) (Note: Replaces 149-0693 Fuel Pump)	7	149-0672	1	*Spring
1	NFS	1	Body	8	149-0539	1	Retainer, Valve - Fuel Pump
2	815-0148	4	Screw, Machine - Hex Head, Slotted (#8-32 x 7/8")	9	149-0675	1	*Spring
3	815-0147	2	Screw, Tapping - Oval Head, Cross Recessed (#6-32 x 5/8")	10	516-0113	1	Pin, Rocker
4	149-0096	2	*Valve, Pump - Fuel	11	NFS	1	Body
5	149-0095	2	*Gasket, Valve	12	149-0710	1	Link and Arm, Rocker (Sold Only as a Set)
6	149-0582	1	*Diaphragm	13	149-0003	1	*Gasket - Fuel Pump Mounting
				14	149-0858	1	*Gasket, Diaphragm - Lower Side
				15	149-0526	1	Kit, Repair (Includes Parts Marked *)

\* - Parts Included in 149-0526 Repair Kit.

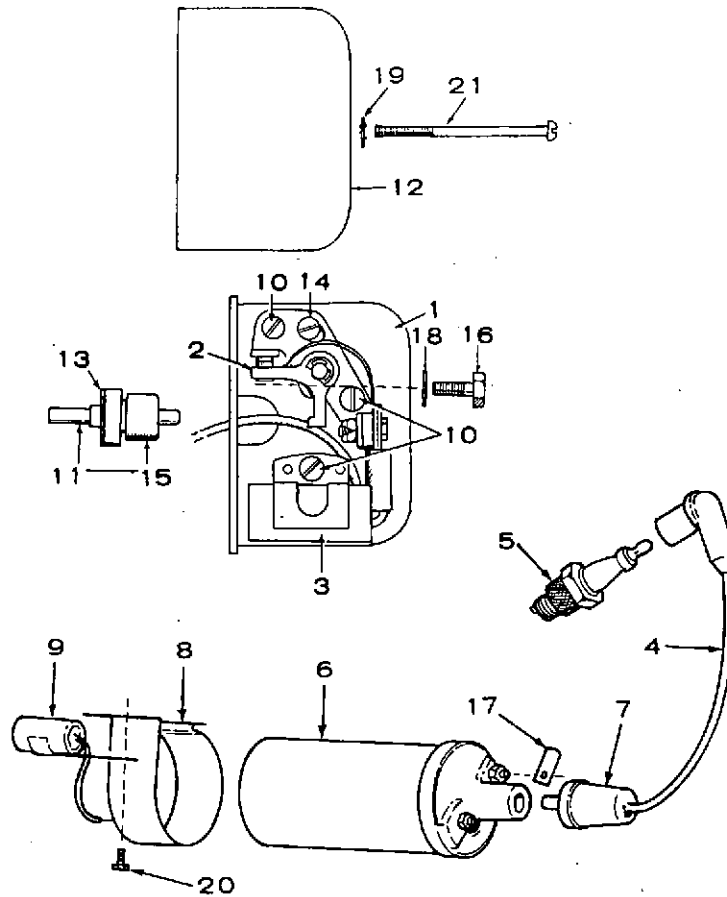
## Carburetor Components



REF NO.	PART NO.	QTY USED	PART DESCRIPTION	REF NO.	PART NO.	QTY USED	PART DESCRIPTION
	146-0355	1	Carburetor, Gasoline	12	146-0252	1	Shaft, Choke
1	146-0122	1	Screw, Throttle Stop	13	146-0104	1	Valve, Choke
2	146-0119	1	Valve, Throttle	14	146-0102	1	*Needle, High Speed
3	146-0124	1	*Gasket Kit, Carburetor	15	146-0186	2	Spring, Adjust - Throttle Stop Screw and Idle Needle
4	146-0118	1	Bowl, Fuel	16	146-0120	1	Seal, "O" Ring - High Speed Needle
5	146-0251	1	Shaft, Throttle	17	146-0117	1	Spring, High Speed Needle
6	146-0145	1	*Valve, Float (Includes Seat Gasket, Valve and Spring)	18	146-0209	1	Package, Idle Needle
7	146-0113	1	Nozzle	19	146-0261	1	Package, Throttle Adjust
8	146-0111	1	*Shaft, Float	20	146-0253	1	Kit, Repair - Carburetor* (Includes Parts Marked *)
9	146-0110	1	Float				
10	146-0109	2	Screw				
11	146-0116	1	*Needle, Idle				

\* - Included in 146-0253 Repair Kit.

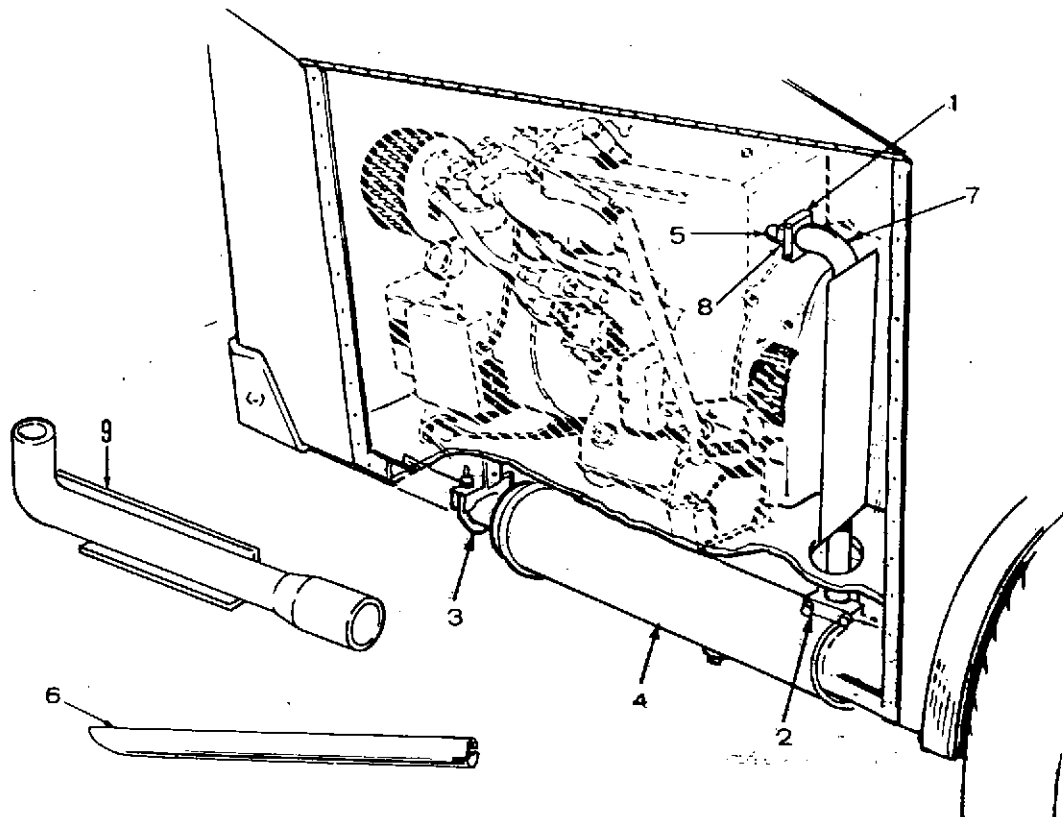
## Ignition



REF NO.	PART NO.	QTY USED	PART DESCRIPTION	REF NO.	PART NO.	QTY USED	PART DESCRIPTION
1	160-1241	1	Box, Breaker (Includes Parts Marked *)	13	160-0461	1	Gasket, Plunger Guide
2	160-0002	1	*Point Set	14	160-0075	1	*Pivot, Breaker Arm
3	312-0181	1	*Condenser	15	160-0382	1	Diaphragm, Plunger (Part of Plunger)
4	167-1602	1	Lead, Spark Plug	16	800-0003	1	Screw, Cap - Hex Head (1/4-20 x 1/2")
5	167-0291	1	Plug, Spark - Resistor Type	17	332-0527	1	Terminal, Choke
6	166-0278	1	Coil, Ignition	18	526-0063	1	Washer, Flat - Copper (1/4" Screw)
7	160-0558	1	Nipple, Rubber - Ignition Coil	19	854-0010	1	Washer, Lock - Internal Tooth (#10)
8	166-0651	1	Clamp, Ignition Coil Mounting	20	815-0350	1	Screw, Tapping - Hex Head (#10-32 x 3/8")
9	312-0027	1	Condenser, Suppression	21	813-0111	1	Screw, Machine - Round Head (#10-32 x 2-1/4")
10	518-0049	3	*Screw, Points and Condenser Mounting				
11	160-0553	1	Plunger and Guide (Includes Diaphragm)				
12	160-0551	1	Cover, Breaker Box				

\* - Parts Included in 160-1241 Breaker Box.

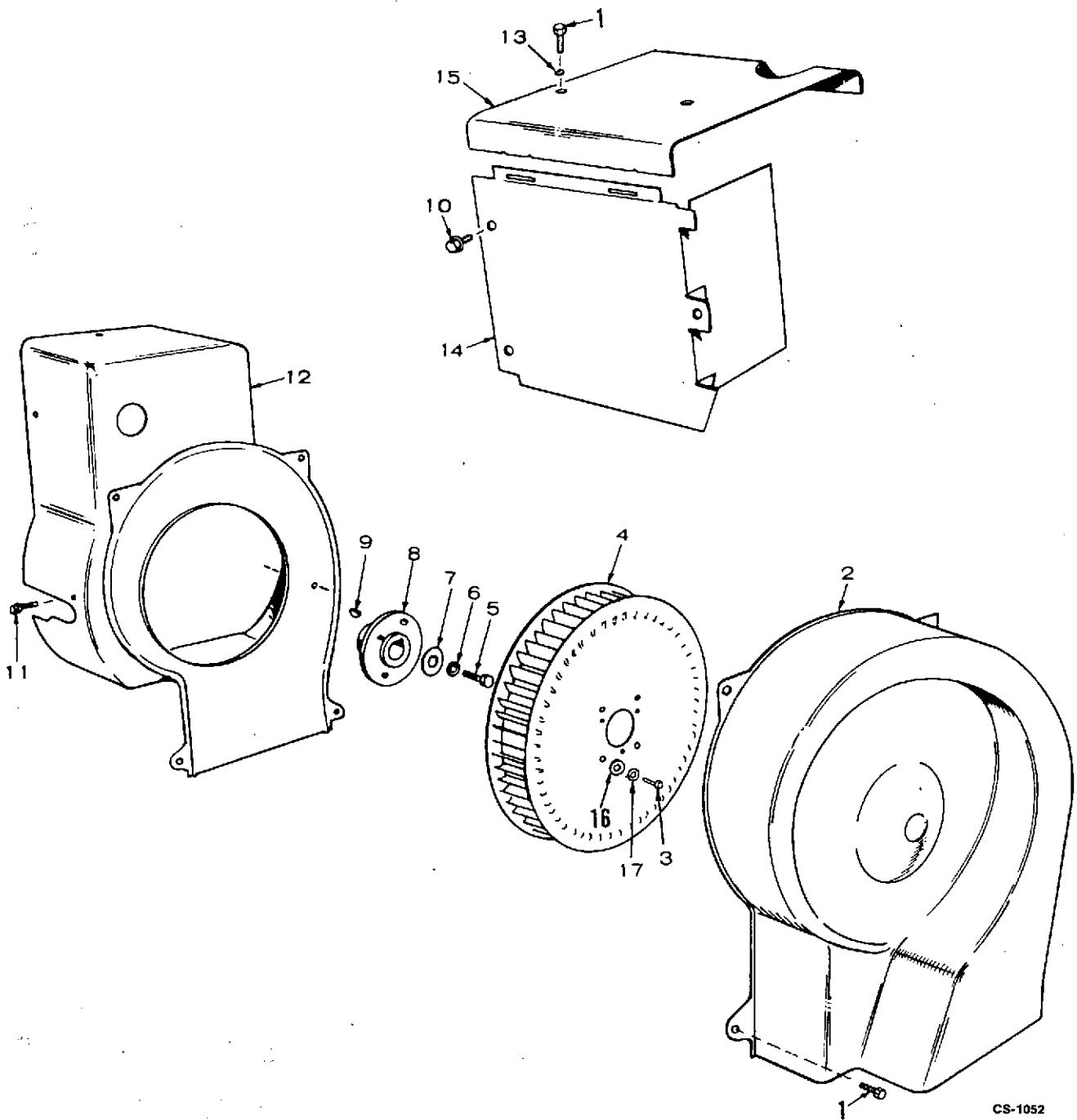
## Exhaust System



REF NO.	PART NO.	QTY USED	PART DESCRIPTION	REF NO.	PART NO.	QTY USED	PART DESCRIPTION
1	155-1255	1	Clamp, Muffler (1-1/8" Pipe)	6	155-1235	1	Tube, Exhaust (Optional)
2	155-1239	1	Clamp, Muffler (1-5/8")	7	155-1585	1	Tube, Exhaust
3	155-1234	2	Bracket, Hanger - Muffler	8	331-0038	1	Nut, Pipe Nipple (3/4")
4	155-1258	1	Muffler, Exhaust (Spark Arrester)	9	155-1588	1	Tube, Exhaust (Includes Heat Shield) Begin Spec S
5	505-0906	1	Nipple, Pipe (3/4 x 5")				



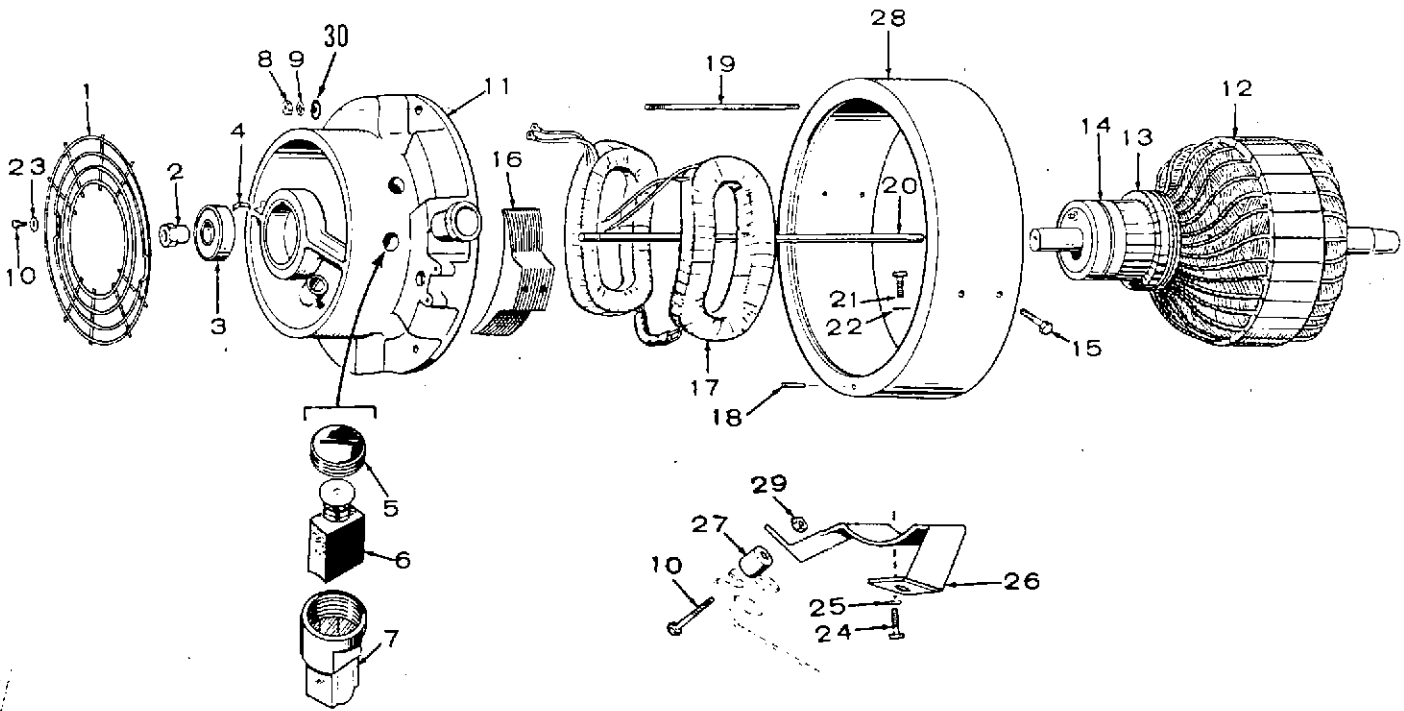
### Air Housing



CS-1052

REF NO.	PART NO.	QTY USED	PART DESCRIPTION	REF NO.	PART NO.	QTY USED	PART DESCRIPTION
1			Screw, Hex Washer Head - Self Locking (1/4-20 x 3/8")	8	134-1913	1	Hub
	821-0009	4	Air Scroll	9	515-0113	1	Key, Woodruff
	821-0009	2	Engine Side Cover	10	821-0008	4	Screw, Hex Washer Head - Self Lock (1/4-20 x 5/16")
2	134-2726	1	Scroll, Air	11	815-0261	1	Screw, Self-locking - Hex Washer Head (1/4-20 x 7/16")
3	800-0004	2	Screw, Cap - Hex Head (1/4-20 x 5/8")	12	134-3566	1	Cover, Engine
4	134-2777-01	1	Wheel, Blower (With Timing Notch)	13	850-0050	2	Washer, Lock (3/8")
				14	134-3563	1	Shroud, Cylinder Air
5	104-0690	1	Screw, Cap - Hex Head (Special)	15	134-3564	1	Cover, Engine Side
6	850-0055	1	Washer, Lock - Spring (7/16")	16	526-0021	2	Washer, Flat (1/4" Screw)
7	526-0017	1	Washer, Flat - Brass (7/16" Screw)	17	850-0040	2	Washer, Lock - Spring (1/4")

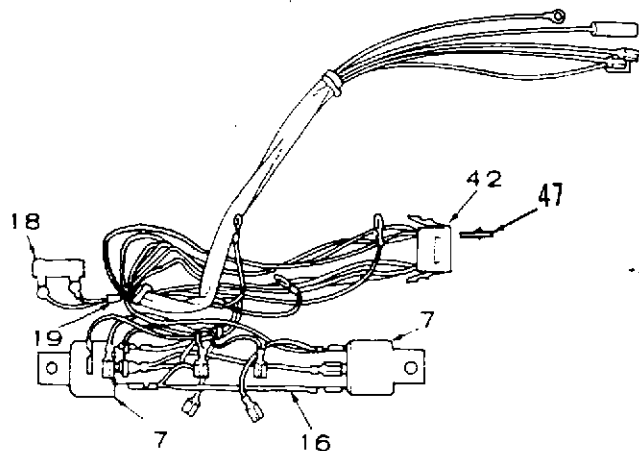
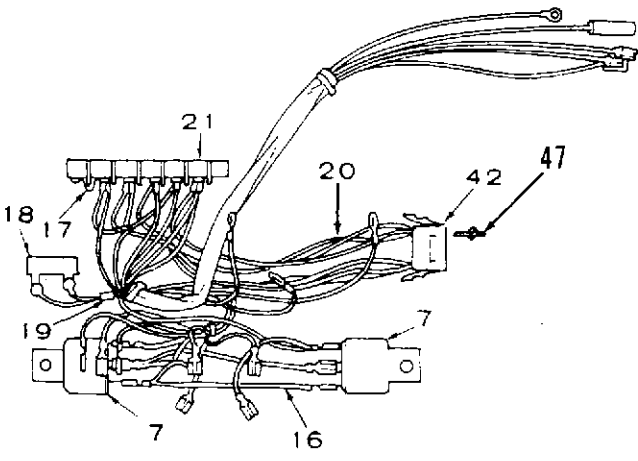
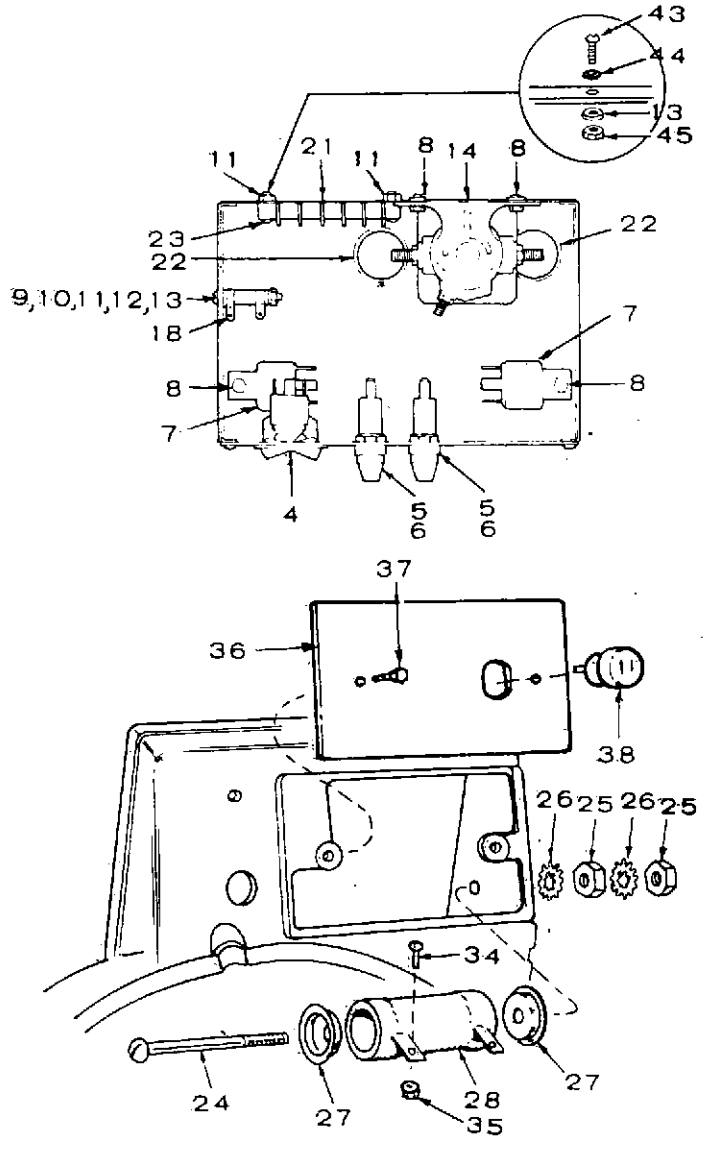
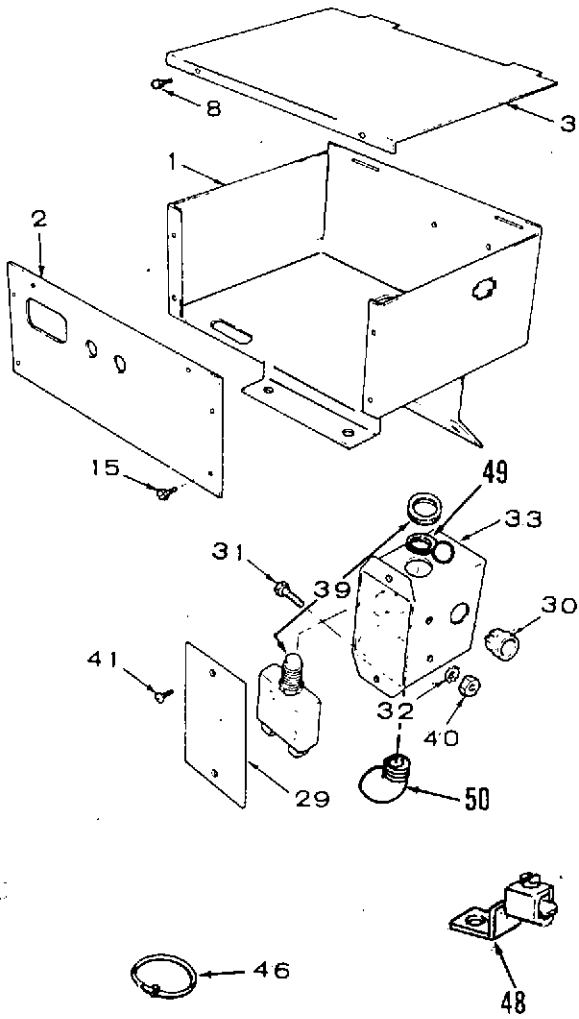
# Generator



REF NO.	PART NO.	QTY USED	PART DESCRIPTION	REF NO.	PART NO.	QTY USED	PART DESCRIPTION
1	234-0580	1	Cover, End Bell	15	800-0053	4	Screw, Cap - Hex Head (3/8-16 x 1-3/4")
2	870-0272	1	Nut, Socket Drive (3/8-16)	16	221-0156	2	Shoe, Pole
3	510-0047	1	*Bearing, Ball	17	222-1728	1	Coil, Field (2 Coils Wired Together)
4	232-0596	1	Clip, Retaining - Bearing	18	516-0103	2	Pin, Roll - Alignment
5	212-1219	2	DC Brush	19	520-0351	2	Stud, Generator Through
	212-1217	4	AC Brush	20	520-0871	1	Stud, Armature Through
6	214-0100	2	Brush	21	800-0028	1	Screw, Cap - Hex Head (5/16-18 x 1")
	214-0092	4	Holder, Brush	22	856-1008	2	Washer, Lock - EIT (5/16")
7	212-1218	2	DC Brush	23	526-0179	2	Washer, Flat (#10 Screw)
	212-1216	4	AC Brush	24	800-0050	2	Screw, Cap - Hex Head (3/8-16 x 1")
8	862-0015	2	Nut, Hex (5/16-18)	25	850-0050	2	Washer, Lock - Spring (3/8")
9	856-0008	2	Washer, Lock - EIT (5/16")	26	403-1065	1	Bracket, Mounting - Generator End
10	815-0391	2	Screw, Cap - Hex Head (7/16-14 x 2-1/4")	27	402-0428	2	Cushion, Vibration
	800-0076	2	Begin Spec R (#10-32 x 1/2")	28			Frame (Machined and Drilled) Less Coils and Poleshoes
11	211-0366	1	Begin Spec P (7/16-14 x 2-1/4")		210-0444	1	Begin Spec R
12		1	Bell, End (Includes Roll Pins)		210-0443	1	Spec P
		1	Armature (Includes Parts Marked *)	29			Nut, Hex
	201-2657	1	120 Volt, 60 Hertz		870-0330	2	Begin Spec S (7/16-14)
	201-2660	1	220 Volt, 50 Hertz		870-0328	2	Through Spec R (10-32)
13	203-0148	1	*Commutator (DC)	30	526-0115	2	Washer, Flat (5/16" Screw)
14	204-0009	1	*Ring, Collector (AC)				

\* - Parts Included in 201-2657 Armature.

# Control



## Control

REF NO.	PART NO.	QTY USED	PART DESCRIPTION	REF NO.	PART NO.	QTY USED	PART DESCRIPTION
1	301-4580	1	Box, Control	22	331-0088	2	Bushing, Insulating
2	301-4568	1	Panel, Control	23	812-0081	2	Screw, Machine - Round Head (#8-32 x 5/8")
3			Cover, Control Box	24	812-0162	1	Screw, Machine - Round Head (1/4-20 x 3")
	301-4567	1	Spec P and R	25	862-0001	2	Nut, Hex (1/4-20)
	301-4966	1	Begin Spec S (with Schematic)	26	853-0013	2	Washer, Lock - EIT (1/4")
4	308-0383	1	Switch, Start-Stop	27	304-0006	2	Washer, Centering
5	321-0175	2	Holder, Fuse	28	353-0049	1	Resistor (10-Ohm, 45 Watt)
6	321-0174	2	Fuse, 5 Ampere	29	301-4573	1	Cover, Output Box
7			Relay, Ignition	30	508-0160	1	Bushing, Output Box
	307-2562	2	*Spec P and R	31	815-0172	2	Screw, Cap - Hex Head (#10-32 x 1")
	307-2562	3	†Spec S	32	856-0003	2	Washer, Lock - EIT (#10)
8	821-0004	6	Screw, Cap - Hex Head Locking (#10-32 x 5/16")	33	301-4579	1	Box, Output
9	812-0087	1	Screw, Machine - Round Head (#8-32 x 1-1/2")	34	815-0001	2	Screw, Machine - Binder Head (#6-32 x 1/4")
10	304-0580	1	Insulator, Resistor Mounting	35	870-0183	2	Nut, Hex (#6-32)
11	870-0221	3	Nut, Hex (W/ET) (#8-32) - Spec S use 1	36	301-4584	1	Cover, Adapter Outlet
12	508-0015	1	Washer, Fibre	37	821-0004	2	Screw, Cap - Hex Washer Head (#10-32 x 5/16")
13	526-0048	1	Washer, Flat (#8 Screw) Spec S use 2	38	508-0200	2	Bushing, Terminal
14			Relay, Start Solenoid	39	320-0544	1	Breaker, Circuit (Includes Knurled Nut) - 60 Hertz
	307-1498	1	Spec P and R	40	870-0053	2	Nut, Hex (#10)
	307-1617	1	Spec S	41			Screw
15	815-0350	4	Screw, Cap - Hex Head Slotted (#10-32 x 3/8")		812-0076	2	Round Head - Through Spec R (#8-32 x 5/16")
16			Harness, Wiring		809-0030	2	Round Head (#8 x 1/4") Begin Spec S
	338-1112	1	Prior to Serial #C780310524 During Spec R (Includes Parts Marked *)	42	323-0440	1	*†Housing, Socket
	338-1168	1	Begin Serial #C780310524 Through Spec R (Includes Parts Marked #)	43	815-0238	1	Screw, Machine - Round Head (ET-8-32 x 7/16")
	338-1266	1	Spec S (Includes Parts Marked †)	44	853-0005	1	Washer, Lock (ET-#8) - Begin Spec S
17	332-1043	1	*Jumper, Copper	45	871-0007	1	Nut, Hex (#8-32) - Begin Spec S
18			Resistor, Fixed	46	332-0942	1	†Tie, Cable - Hi-Tension Wire
	304-0735	1	*# 175-Ohm, 5 Watt - Spec P, R & S	47	323-0488	6	†#Pin, Connector - Female
	352-0167	1	† 89-Ohm, 5 Watt - Spec S	48	332-0147	2	Terminal, Solderless (#10) 50 Hertz
19	357-0030	1	*†Rectifier, Diode	49	517-0132	1	Plug, Output Box (7/16") 50 Hertz
20	338-1111	1	*Harness, Wiring - Terminal Block to Remote Socket Housing	50	331-0010	1	Connector - 90° (1/2") 60 Hertz
21	332-0604	1	*Block, Terminal (5 Place)				

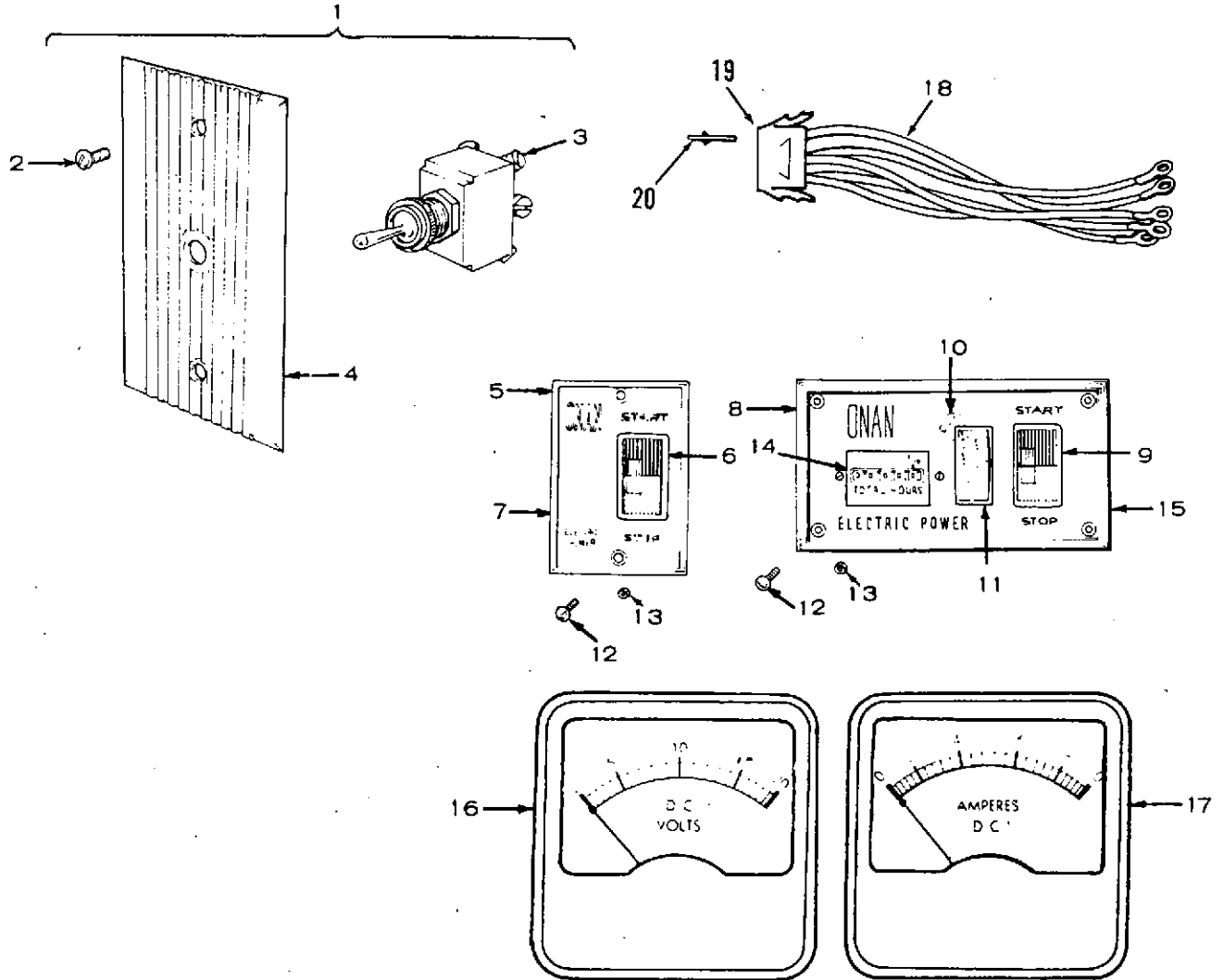
\* - Parts Included in 338-1112 Wiring Harness.  
 # - Parts Included in 338-1168 Wiring Harness.  
 † - Parts Included in 338-1266 Wiring Harness.

## OPTIONAL EQUIPMENT SECTION

This section contains parts listing of factory installed options.

NOTE: Options may not be applicable to all models; for field installations, additional parts are usually required.

## Remote Starting Control - Optional Equipment (Used with Three Wire Start Circuits Only)



REF NO.	PART NO.	QTY USED	PART DESCRIPTION	REF NO.	PART NO.	QTY USED	PART DESCRIPTION
1	308-0165	1	Control, Remote Starting (Includes Parts Marked *)	10	359-0034	1	\$Diode
2	815-0385	2	*Screw, Machine - Round Head, Black Zinc Finish (#6-32 x 1/2")	11	302-0888	1	\$Meter, Battery Condition
3	308-0154	1	*Switch, Toggle - SPDT	12	815-0385	2	\$Screw, Machine - Round Head, Black Zinc Finish (#6-32 x 1/2")
4	308-0168	1	*Plate, Mounting	13	860-0005	2	\$Nut, Hex (#6-32)
5	300-2313	1	Control, Remote Starting - Standard (Includes Parts Marked *)	14	302-0885	1	\$Meter, Time Totalizing
6	308-0341	1	#Switch, Push - DPDT (Momentary) With Integral 12 Volt Lamp	15	301-3606	1	\$Panel, Control
7	301-3566	1	#Panel, Control	16	302-0562	1	Voltmeter, DC (0-20)
8	300-2314	1	Control, Remote Starting - Deluxe (Includes Parts Marked \$)	17	302-0561	1	Ammeter, DC (0-10)
9	308-0341	1	\$Switch, Push - DPDT (Momentary) With Integral 12 Volt Lamp	18		1	Harness, Wiring - Remote Control - Spec S (Includes Parts Marked +)
					338-1080	1	Cable - 10 Feet
					338-1081	1	Cable - 30 Feet
				19	323-0400	1	+Housing, Connector Pin
				20	323-0500	5	+Pin, Connector - Male

\* - Parts Included in Control 308-0165  
 # - Parts Included in Control 300-2313  
 \$ - Parts Included in Control 300-2314  
 + - Parts Included in Remote Control Wiring Harness 338-1080, 338-1081

Labels, Paint and Thread Sealant

REF NO.	PART NO.	QTY USED	PART DESCRIPTION	REF NO.	PART NO.	QTY USED	PART DESCRIPTION
	98-1100	1	Kit, Label - General Service		518-0452	1	Sealant, Thread (50cc. Bottle)
	525-0305	1	Touch-up Paint (Pressurized Can) Green (13 oz.)				

SPECIAL PARTS LIST FOR MODEL 3.0AJ-1R SPEC 16017P  
 FOR STANDARD PARTS REFER TO CATALOG 924-0222 KEY NO.           
 (PARTS CATALOG ALSO CONTAINS COMPONENTS FOR MAJOR OPTIONAL FEATURES LISTED BELOW)

WIRING DIAGRAM NO. 611-1140-01

PART NO.	QTY.	DESCRIPTION	PART NO.	QTY.	DESCRIPTION
510-0043	1	Ball, Oil By-Pass Spring			
402-0428	4	Cushion, Vibration - Mounting			
518-0006	1	Clip, Governor Link to Carb			
332-0142	1	Terminal, Ground			
337-0049	1	Strap, Ground			
332-0942	1	Tie, Cable (Hi-Tension Wire)			
338-1168	1	Harness, Wiring - Control (Includes Parts Marked +)			
357-0030	1	+Rectifier, Diode			
323-0440	1	+Housing, Socket (Plug)			
307-1575	2	+Relay, Ignition			
332-1445	16	+Tie, Cable			
304-0735	1	+Resistor, Fixed (175 Ohm, 5 Watt)			
338-0479	1	Harness, Wiring - Brush Terminal			
338-1082	1	Harness, Wiring - Remote			



WIRING DIAGRAM NO. 611-1140-01

PART NO.	QTY.	DESCRIPTION	PART NO.	QTY.	DESCRIPTION
510-0043	1	Ball, Oil By-Pass Spring			
402-0428	4	Cushion, Vibration - Mounting			
518-0006	1	Clip, Governor Link to Carb			
332-0142	1	Terminal, Ground			
337-0049	1	Strap, Ground			
332-0942	1	Tie, Cable (Hi-Tension Wire)			
338-1168	1	Harness, Wiring - Control (Includes Parts Marked +)			
357-0030	1	+Rectifier, Diode			
323-0440	1	+Housing, Socket - (Plug)			
307-1575	2	+Relay, Ignition			
332-1445	16	+Tie, Cable			
304-0735	1	+Resistor, Fixed (175 Ohm, 5 Watt)			
338-0479	1	Harness, Wiring - Brush Terminal			
338-1082	1	Harness, Wiring - Remote			

SPECIAL PARTS LIST FOR MODEL 3.0 AJ-1R SPEC 160178

FOR STANDARD PARTS REFER TO CATALOG 924-0222 KEY NO. -

(PARTS CATALOG ALSO CONTAINS COMPONENTS FOR MAJOR OPTIONAL FEATURES LISTED BELOW)

WIRING DIAGRAM NO. 611-1348-01

PART NO.	QTY.	DESCRIPTION	PART NO.	QTY.	DESCRIPTION
----------	------	-------------	----------	------	-------------

Recreational Vehicle



SPECIAL PARTS LIST FOR MODEL

3.0AJ-1R

SPEC

16018P

FOR STANDARD PARTS REFER TO CATALOG 924-0222

KEY NO. -

(PARTS CATALOG ALSO CONTAINS COMPONENTS FOR MAJOR OPTIONAL FEATURES LISTED BELOW)

WIRING DIAGRAM NO.

611-1140-01

PART NO.	QTY.	DESCRIPTION	PART NO.	QTY.	DESCRIPTION
510-0043	1	Ball, Oil By-Pass Spring			
402-0428	4	Cushion, Vibration - Mounting			
518-0006	1	Clip, Governor Link to Carb			
332-0142	1	Terminal, Ground			
337-0049	1	Strap, Ground			
332-0942	1	Tie, Cable (Hi-Tension Wire)			
338-1168	1	Harness, Wiring - Control (Includes Parts Marked +)			
357-0030	1	+Rectifier, Diode			
323-0440	1	+Housing, Socket (Plug)			
307-1575	2	+Relay, Ignition			
332-1445	16	+Tie, Cable			
304-0735	1	+Resistor, Fixed (175 Ohm, 5 Watt)			
338-0479	1	Harness, Wiring - Brush Terminal			
505-0011	1	Elbow, Street - Oil Drain			
505-0054	1	Plug, Oil Drain			
155-1586	1	Tube, Exhaust			
403-1379	1	Tray, Generator Set Mtg.			

SPECIAL PARTS LIST FOR MODEL 3.0AJ-1R SPEC 16018R  
 FOR STANDARD PARTS REFER TO CATALOG 924-0222 KEY NO. -  
 (PARTS CATALOG ALSO CONTAINS COMPONENTS FOR MAJOR OPTIONAL FEATURES LISTED BELOW)

WIRING DIAGRAM NO. 611-1140-01

PART NO.	QTY.	DESCRIPTION	PART NO.	QTY.	DESCRIPTION
510-0043	1	Ball, Oil By-Pass Spring			
402-0428	4	Cushion, Vibration - Mounting			
518-0006	1	Clip, Governor Link to Carb			
332-0142	1	Terminal, Ground			
337-0049	1	Strap, Ground			
332-0942	1	Tie, Cable (Hi-Tension Wire)			
338-1168	1	Harness, Wiring - Control (Includes Parts Marked +)			
357-0030	1	+Rectifier, Diode			
323-0440	1	+Housing, Socket (Plug)			
307-1575	2	+Relay, Ignition			
332-1445	16	+Tie, Cable			
304-0735	1	+Resistor, Fixed (175 Ohm, 5 Watt)			
338-0479	1	Harness, Wiring - Brush Terminal			
505-0011	1	Elbow, Street - Oil Drain			
505-0054	1	Plug, Oil Drain			
155-1586	1	Tube, Exhaust			
403-1379	1	Tray, Generator Set Mtg.			

SPECIAL PARTS LIST FOR MODEL 3.0AJ-1R SPEC 16018S  
 FOR STANDARD PARTS REFER TO CATALOG 924-0222 KEY NO. -  
 (PARTS CATALOG ALSO CONTAINS COMPONENTS FOR MAJOR OPTIONAL FEATURES LISTED BELOW)  
 WIRING DIAGRAM NO. 611-1148-01

PART NO.	QTY.	DESCRIPTION	PART NO.	QTY.	DESCRIPTION
Recreational Vehicle					
403-1379	1	Tray, Mounting-Engine/Generator			
505-0011	1	Elbow, Street-Oil Drain (1/4 x 90°)			
505-0054	1	Plug, Oil Drain			