

The following catalog has gaps in its page numbers, or doesn't have any numbers. We have chosen to leave the page numbering in the order that Acrobat assigns it.

Obsolete

McGRAW-EDISON



**MAJOR SERVICE MANUAL
AND PARTS CATALOG**

**FOR
ONAN
16.5 HP
CCKA ENGINE
BASIC MODEL
CCKA-MS/2026G**



*For
Tractor Service*

**DO NOT REMOVE
-FILE COPY-**

TECHNICAL LITERATURE

GENERAL INFORMATION

For parts or service, contact the dealer from whom you purchased this equipment or refer to your Nearest Authorized Onan Parts and Service Center.

To avoid errors or delay in filling your parts order, please furnish all information requested.

Always refer to the nameplate on your unit.

1. Always give the MODEL, SPEC NO. and SERIAL NO.

McGRAW-EDISON

Onan

MODEL AND SPEC NO.

SERIAL NO.

M-1149

For handy reference, insert "YOUR" nameplate information in the spaces above.

2. Do not order by reference number; always use part number and description.
3. Give the part number, description and quantity needed of each item. If an older part cannot be identified, return the part prepaid to your dealer or nearest Onan Parts and Service Center. Print your name and address plainly on the package. Write a letter to the same address stating the reason for returning the part.
4. State definite shipping instructions. Any claim for loss or damage to your unit in transit should be filed promptly against the transportation company making the delivery. Shipments are complete unless the packing list indicates items are back ordered.

Std. #36b

PARTS CATALOG

This catalog applies to tractor application CCKA Engines. Parts are arranged in groups of related items. Each illustrated part is identified by a reference number corresponding to the same reference number following the illustration. Parts illustrations are typical. Unless otherwise mentioned in the description, parts are interchangeable between models. Right and left plant sides are determined by *facing* the blower end (front) of the engine.


INSTRUCTIONS FOR ORDERING REPAIR PARTS

For parts or service, contact the dealer from whom you purchased this equipment or refer to your Nearest Authorized Onan Parts and Service Center.

To avoid errors or delay in filling your parts order, please furnish all information requested.

Always refer to the nameplate on your unit:

1. Always give the MODEL and SPEC NO. and SERIAL NO.

	
MODEL AND SPEC NO.	
<input type="text"/>	
SERIAL NO.	<input type="text"/>
IMPORTANT - ALWAYS GIVE ABOVE NOS. WHEN ORDERING PARTS	
CHECK OIL LEVEL DAILY	
CHANGE OIL EVERY 50 HOURS	
OIL CAPACITY	<input type="text" value="3.5"/> QTS
BELOW 30 F----5W30	
ABOVE 30 F---- 30	
FOR EXTREME OPERATING TEMPERATURES, SEE YOUR SERVICE MANUAL	
BATTERY---	<input type="text" value="12"/> VOLT
MANUFACTURED BY ONAN ONAN CORPORATION MINNEAPOLIS, MINNESOTA, U.S.A 99A1216	

For handy reference, insert YOUR engine nameplate information in the spaces above.

2. Do not order by reference number or group number, always use part number and description.
3. Give the part number, description and quantity needed of each item. If an older part cannot be identified, return the part prepaid to your dealer or nearest AUTHORIZED SERVICE STATION. Print your name and address plainly on the package. Write a letter to the same address stating the reason for returning the part.
4. State definite shipping instructions. Any claim for loss or damage to your unit in transit should be filed promptly against the transportation company making the delivery. Shipments are complete unless the packing list indicates items are back ordered.

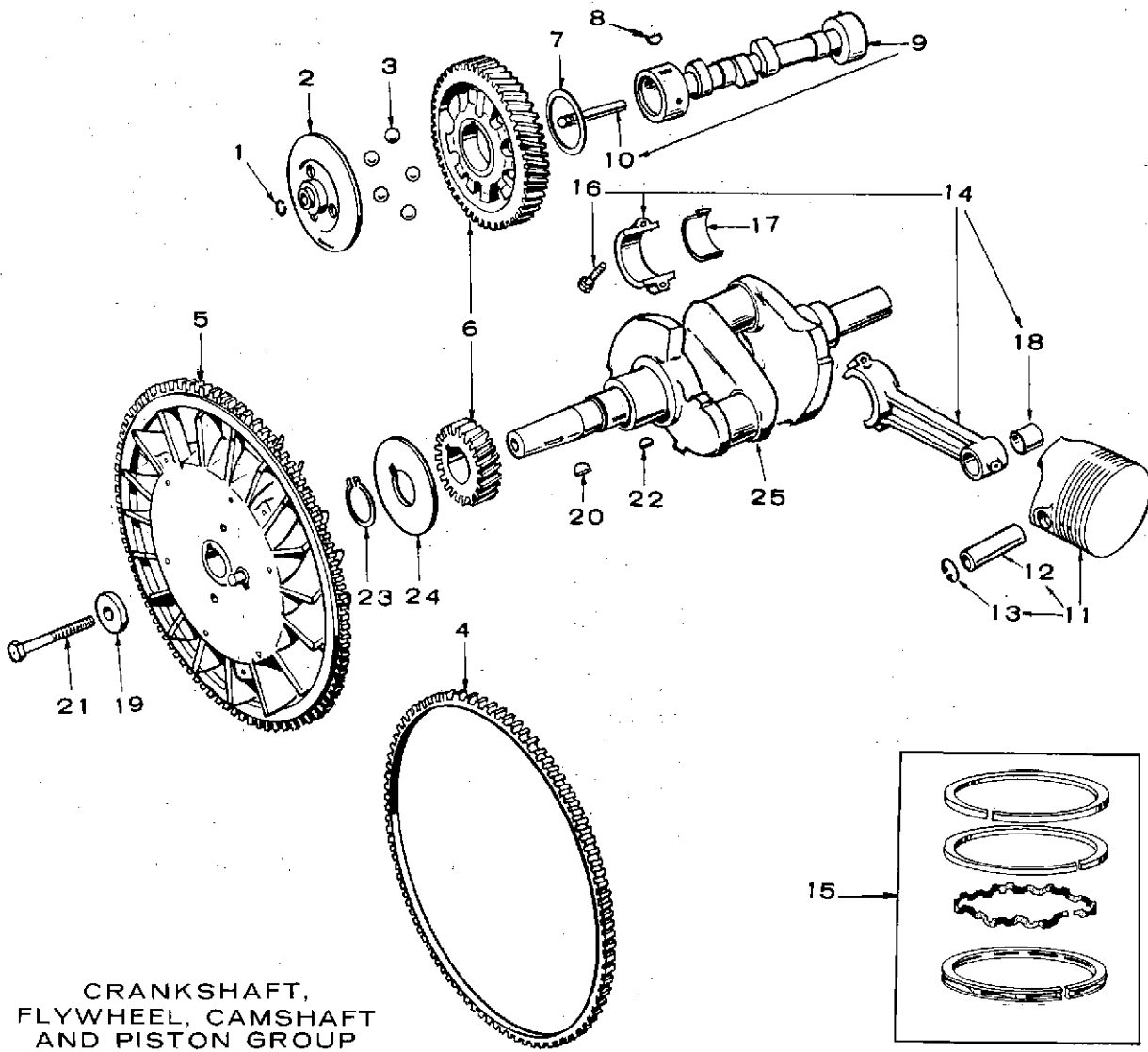
Prices are purposely omitted from this Parts Catalog due to the confusion resulting from fluctuating costs, import duties, sales taxes, exchange rates, etc.

For current parts prices, consult your Onan Dealer, Distributor or Parts and Service Center.

REF. NO.	PART NO.	QTY. USED	PART DESCRIPTION
1	110A1885	1	Block Assy., Cylinder (Includes Parts Marked *)
2	123A954	1	Cap, Breather Tube
3	123A953	1	Tube, Breather
4	123P865	1	Baffle, Breather Tube
5	509-117	1	Seal, "O" Ring - Breather Tube
6	110A666	2	Cover, Valve Compartment
7	110A667	2	Gasket, Valve Cover
8	517-48	1	*Plug, Camshaft Expansion
9	520A114	5	*Stud, Rear Bearing Plate Mtg.
10	509A134	2	Seal, Intake Valve Stem
11	110A892	2	Gasket, Cylinder Head
12	HEAD, CYLINDER - RIGHT (#2 Cylinder)		
	110D1894	1	Prior to Serial #292517
	110D884	1	Begin Serial #292517
13	HEAD, CYLINDER - LEFT (#1 Cylinder)		
	110D1895	1	Prior to Serial #292517
	110D883	1	Begin Spec #292517
14	123A958	1	Screen, Breather Tube
15	BEARING, CRANKSHAFT		
	101K420	2	*Standard
	101K420-02	2	.002" Undersize
	101K420-10	2	.010" Undersize
	101K420-20	2	.020" Undersize
	101K420-30	2	.030" Undersize
16	104A575	2	*Washer, Crankshaft Bearing Thrust
17	101K115	1	*Gasket Kit, Bearing Plate
18	101A422	1	*Plate, Bearing (Excludes Bearing)
19	101A367	2	*Bearing, Camshaft Front or Rear (Precision)
20	509A41	1	*Seal, Bearing Plate
21	516A72	4	*Pin, Main Bearing Stop
22	110A445	5	*Nut, Bearing Plate Stud
23	110A904	4	Rotocap, Valve
24	526-63	2	Washer, Copper - Valve Compartment Cover

REF. NO.	PART NO.	QTY. USED	PART DESCRIPTION
25	850-45	5	*Washer, Lock - Rear Bearing Plate
26	120A386	1	*Tube, Crankcase Oil
27	VALVE		
	110B1037	2	Intake (Stellite)
	110BB80	2	Exhaust (Stellite)
28	INSERT, VALVE SEAT (STELLITE)		
	110A872	2	*Exhaust, Standard
	110A872-02	2	.002" Oversize
	110A872-05	2	.005" Oversize
	110A872-10	2	.010" Oversize
	110A872-25	2	.025" Oversize
	110A1000	2	*Intake, Standard
	110A1000-02	2	.002" Oversize
	110A1000-05	2	.005" Oversize
	110A1000-10	2	.010" Oversize
	110A1000-25	2	.025" Oversize
29	*GUIDE, VALVE		
	110A902	2	Exhaust
	110A1827	2	Intake
30	110A539	4	Spring, Valve
31	123A951	1	Clamp, Breather Cap
32	110A639	8	Lock, Valve & Spring Retaining
33	TAPPET, VALVE		
	115A6	4	Standard
	115A6-05	4	.005" Oversize
34	SCREW, HEX HEAD CAP		
	110A879	8	Cylinder Head (5/16-28 x 1-1/4")
	114A22	10	Cylinder Head (5/16-18 x 1-3/4")
	800-12	2	Valve Compartment Cover
35	526A122	18	Washer (Flat), Cylinder Head Screws

* - Included in Cylinder Block Assembly.

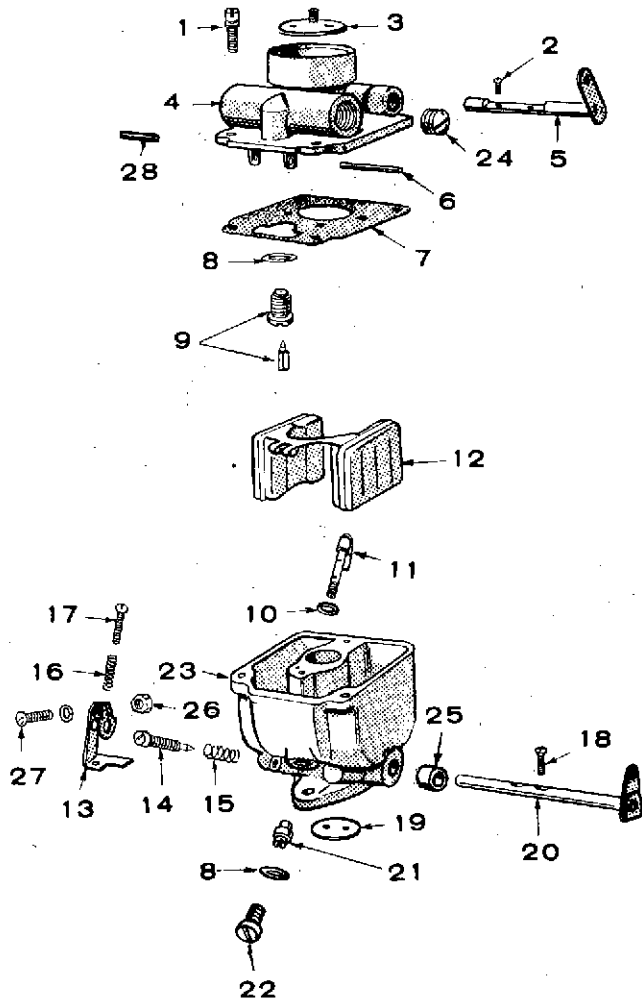


CRANKSHAFT,
FLYWHEEL, CAMSHAFT
AND PISTON GROUP

REF. NO.	PART NO.	QTY. USED	PART DESCRIPTION
1	150A78	1	Ring, Camshaft Center Pin
2	150A612	1	Cup, Governor
3	510-15	5	Ball, Fly - Governor
4	134C673	1	Gear, Ring - Flywheel
5	134B2283	1	Flywheel (Includes Ring Gear)
6	105A353	1	Gear Set, Timing (Includes Camshaft & Crankshaft Gears)
7	105A4	1	Washer, Camshaft Gear Thrust
8	515-1	1	Key, Camshaft Gear Mounting
9	105A238	1	Camshaft (Includes Center Pin)
10	150A75	1	Pin, Camshaft Center
11	PISTON & PIN (INCLUDES RETAINING RINGS)		
	112-71	2	Standard
	112-71-05	2	.005" Oversize
	112-71-10	2	.010" Oversize
	112-71-20	2	.020" Oversize
	112-71-30	2	.030" Oversize
	112-71-40	2	.040" Oversize
12	PIN, PISTON		
	112A69	2	Standard
	112A69-02	2	.002" Oversize
13	112A3	4	Ring, Piston Pin Retaining
14	114B144	2	Rod Assembly Connecting (Forged) Includes Bushing & Place Bolts

REF. NO.	PART NO.	QTY. USED	PART DESCRIPTION
15	RING SET, PISTON		
	113A153	2	Standard
	113A153-05	2	.005" Oversize
	113A153-10	2	.010" Oversize
	113A153-20	2	.020" Oversize
	113A153-30	2	.030" Oversize
	113A153-40	2	.040" Oversize
16	805-10	4	Bolt, Place - Connecting Rods (Special)
17	BEARING, CONNECTING ROD		
	114-145	4	Standard
	114-145-02	4	.002" Undersize
	114-145-10	4	.010" Undersize
	114-145-20	4	.020" Undersize
	114-145-30	4	.030" Undersize
18	114A36	2	Bushing, Piston Pin - Connecting Rod
19	526A128	1	Washer, Flywheel Mounting
20	515-2	1	Key, Flywheel Mounting
21	104A170	1	Screw, Flywheel Mtg. (Special)
22	515-1	1	Key, Crankshaft Gear Mtg.
23	518-14	1	Lock, Crankshaft Gear Washer
24	104A43	1	Washer, Crankshaft Gear Retaining
25	104B744	1	Crankshaft

CARBURETOR PARTS GROUP



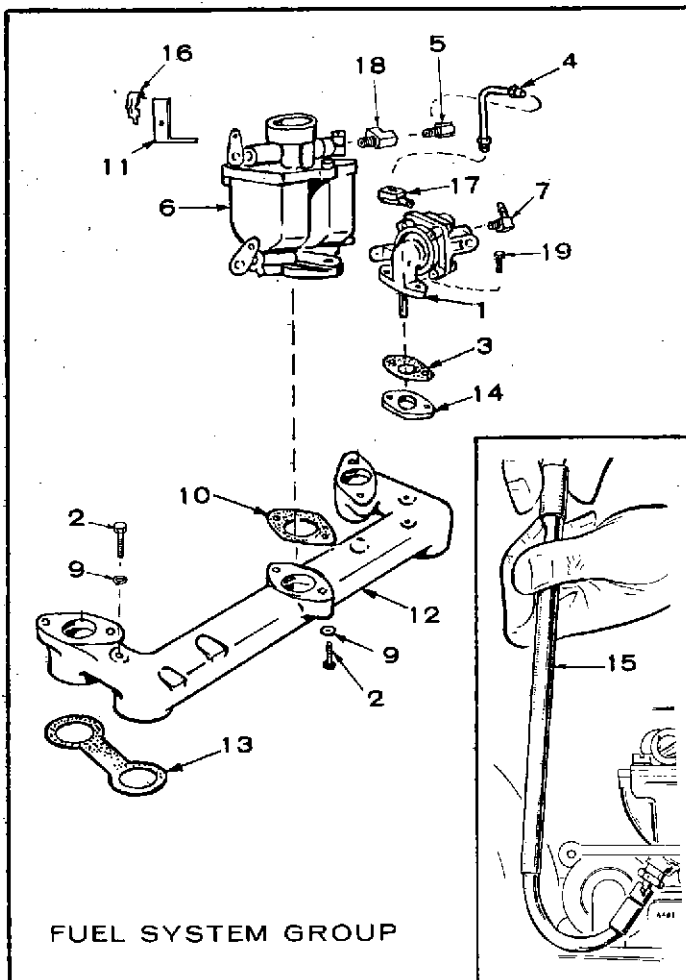
REF. NO.	PART NO.	QTY. USED	PART DESCRIPTION
	142B490	1	Carburetor
	142K494	1	Repair Kit, Carburetor - Includes Parts Marked *
	142-33	1	Gasket Kit, Carburetor - Includes Parts Marked **
1	815-103	3	Screw, Bowl Cover
2	815-91	2	*Screw, Choke Fly (4-40 x 3/16")
3	142-55	1	Fly, Choke
4	142-205	1	Sleeve Assy., Choke (Cover)
5	142A420	1	Shaft Assembly, Choke
6	142-39	1	*Shaft, Float
7	142-31	1	**Gasket, Body to Bowl
8	148-17	2	**Gasket (1) Float Valve Seat (1) Main Adjusting Needle
9	142-49	1	*Valve and Seat Assembly
10	142-32	1	**Gasket, Nozzle
11	142-285	1	Nozzle Assembly
12	142-361	1	Float and Lever Assembly
13	145A8	1	Lever, Idle Stop
14	142-40	1	*Needle, Idle Adjusting
15	142-282	1	Spring, Idle Needle Adjusting
16	142A35	1	Spring, Throttle Stop Adjusting
17	812-63	1	Screw, Throttle Stop Adjusting (6-32 x 1/2")
18	815-72	2	*Screw, Throttle Fly (4-40 x 1/4")
19	142-369	1	Fly, Throttle
20	142-368	1	*Shaft Assembly, Throttle
21	142-493	1	*Nut and Jet Nozzle
22	142A15	1	Plug, Nozzle
23		1	Body Assembly (Not Sold Separately)
24	505-53	1	Plug, Gas Inlet
25	142-343	2	Bushing, Throttle Shaft
26	870-53	1	Nut, Throttle Stop
27	813-102	1	Screw, Throttle Stop Clamp
28	142-227	1	Pin, Choke Stop

* Parts contained in 142K494 Repair Kit.
 ** Parts contained in 142-33 Gasket Kit.

REF. NO.	PART NO.	QTY. USED	PART DESCRIPTION
1	509P8	1	*Seal, Oil - Governor Shaft
2	510P13	1	*Bearing, Governor Shaft - Upper
3	150-377	1	*Shaft & Arm Assy., Governor
4	150A620	1	*Yoke, Governor Shaft
5	518-129	1	*Ring, Yoke Retainer
6	516-130	1	*Pin, Governor - Cup Stop
7	510A8	1	*Bearing, Governor Shaft - Lower
8	510P14	1	*Ball, Bearing - Governor Shaft
9	103B332	1	Cover Assembly, - Gear (Includes Parts Marked *)
10	103B11	1	Gasket, Gear Cover
11	123A694	1	Cap & Indicator, Oil Fill
12	123A191	1	Gasket, Oil Fill Cap
13	102B158	1	Gasket, Oil Base Mounting
14	526-65	2	Washer, Copper - Oil Filter Adapter Mounting
15	102B668	1	Base, Oil
16	SCREW, HEX CAP 102A455	4	Oil Base to Block
	800-28	2	Oil Filter Adapter Mounting
	114-22	4	Gear Cover Mounting (5/16-18 x 1-3/4")
	800-34	1	Gear Cover Mounting (5/16-18 x 2-1/4")
	800-4	2	Oil Fill Tube Mounting
	800-7	2	Oil Pump Mounting
17	WASHER, LOCK 850-50	4	Oil Base Mounting
	850-45	5	Gear Cover Mounting
	850-40	2	Oil Pump Mounting
	850-40	2	Oil Fill Tube Mounting

REF. NO.	PART NO.	QTY. USED	PART DESCRIPTION
18	PLUG, OIL DRAIN 505-110	1	3/8"
	505-56	1	1/2"
19	509A40	1	*Seal, Gear Cover
20	516A11	2	Pin, Gear Cover (5/16 x 1-1/8")
21	123B1149	1	Tube, Oil Fill
22	141A78	1	Gasket, Oil Fill Tube Mounting
23	122D320	1	Adapter, Oil Fill
24	122D323	1	Filter, Oil (Spin-on) - Includes Gasket
25	122A321	1	Gasket, Oil Filter Adapter
26	309P237	1	Switch, Oil Light
27	120A491	1	Pump, Oil Complete (NOTE: Internal parts not sold separately)
28	120B648	1	Intake, Oil Pump (Includes: Cup and Screen and Pipe)
29	801-48	1	Screw (3/8-24 x 3/4") - Oil By-Pass
30	120A140	1	Spring, Oil By-Pass Valve
31	120A398	1	Valve, Oil By-Pass
32	120K161	1	Gasket Kit, Oil Pump
33	526-66	1	Washer, Oil Pressure Relief Valve
34	502-58	1	Tee, Pressure Switch - Early Models
35	505-57	1	Plug, Pressure Switch Tee - Early Models
36	122B347	1	Gasket, Oil Filter

* - Included in Gear Cover Assembly.

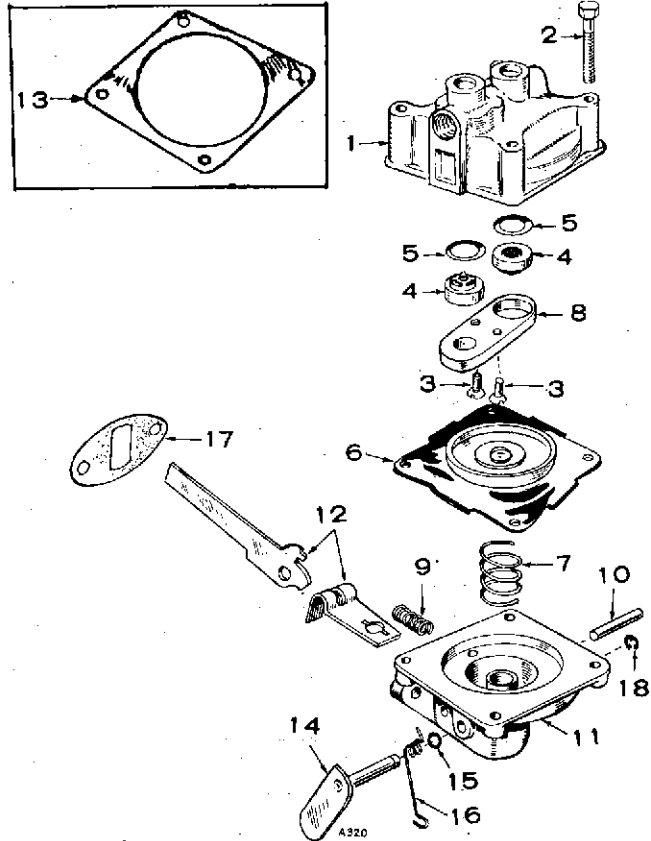


REF. NO.	PART NO.	QTY. USED	PART DESCRIPTION
1	149D693	1	Pump, Fuel
2	SCREW, HEX CAP 800-9	2	Carburetor Mounting
	800-54	2	Intake Manifold Mounting
3	149A3	2	Gasket, Fuel Pump Mounting
4	149A611	1	Line, Fuel Pump to Carburetor
5	502A388	2	Elbow (1) Fuel Pump Outlet (1) Carburetor Inlet
6	142A490	1	Carburetor
7	502-2	1	Elbow, Fuel Pump Outlet
9	WASHER, LOCK 850-40	2	Carburetor Mounting
	850-50	2	Intake Manifold Mounting
10	141A78	1	Gasket, Carburetor Mounting
11	153A249	1	Bracket, Choke
12	154A396	1	Manifold, Intake
13	154A13	2	Gasket, Intake Manifold
14	149A45	1	Spacer, Fuel Pump Mounting
15	420A169	1	Wrench, Carburetor Adjusting
16	518P176	2	Clip, Throttle Cable
17	502-313	1	Elbow, Street - Fuel Pump Inlet
18	502-1	1	Tee, Carburetor Inlet
19	806-9	2	Screw, Fuel Pump Mounting

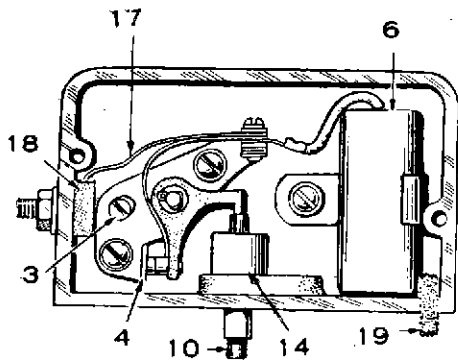
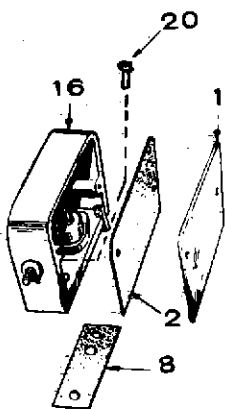
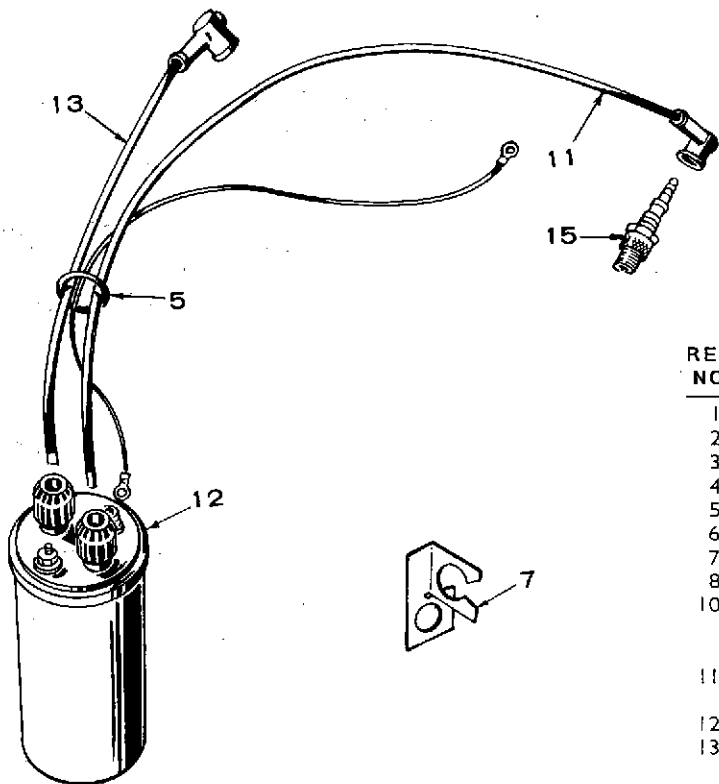
FUEL PUMP PARTS GROUP

REF. NO.	PART NO.	QTY. USED	PART DESCRIPTION
	149D693	1	Pump, Fuel (Complete)
	149K526	1	Repair Kit (Includes Parts Marked *)
1		1	Body (Not Sold Separately)
2	815-148	4	Screw, Machine (#8-32 x 7/8")
3	815-147	2	Screw, Phillips Self Tapping (#6-32 x 5/8") - Retainer
4	149-96	2	*Valve and Cage
5	149A95	2	*Gasket, Valve
6	149A582	1	*Diaphragm Assembly
7	149A672	1	*Spring
8	140A539	1	Retainer, Valve Cage
9	149A675	1	*Spring
10	516A113	1	Pin, Rocker Arm
11		1	Body (Not Sold Separately)
12	149-710	1	Link and Arm, Rocker (Sold only as a set)
13	149A858	1	*Gasket, Diaphragm - Lower Side
14	149A551	1	Lever, Primer
15	509-65	2	Seal, "O" Ring
16	149A404	1	Spring, Primer Lever
17	149A3	1	*Gasket, Pump Mounting
18	518-129	1	Ring, Retainer - Primer Lever

* - Parts Included in Repair Kit.

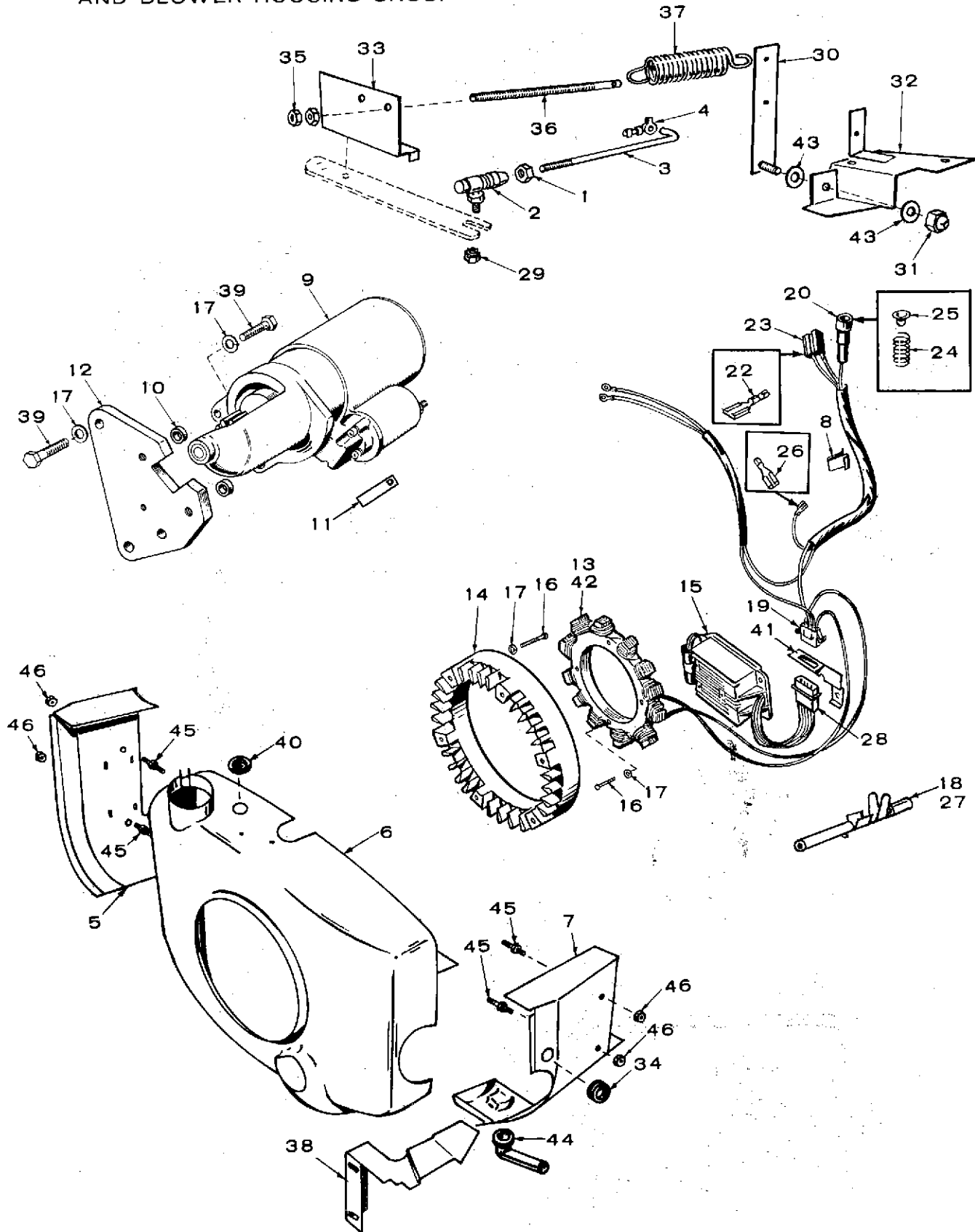


IGNITION GROUP



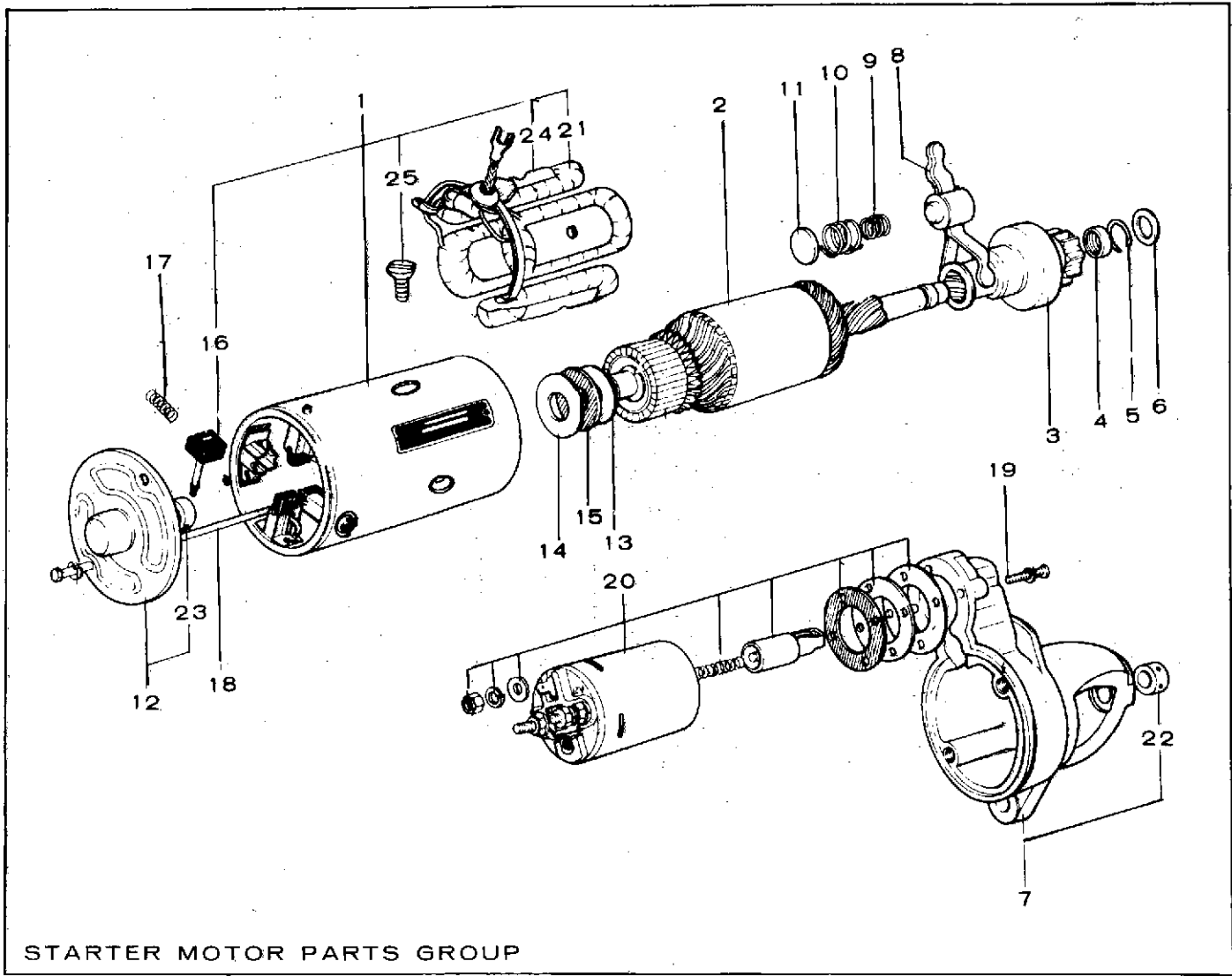
REF. NO.	PART NO.	QTY. USED	PART DESCRIPTION
1	160A930	1	Cover, Breaker Box
2	160A150	1	Gasket, Breaker Box Cover
3	160A75	1	Cam, Point Gap Adjusting
4	160A2	1	Point Set, Breaker
5	509-35	1	Ring "O" Spark Plug Cables
6	312A69	1	Condenser, Breaker Points
7	167A188	1	Clip, Spark Plug Cables
8	160A43	1	Gasket, Breaker Box Mtg.
10	160A262	1	Plunger Assy. (Includes Plunger, Diaphragm, and Guide)
11	167A1464	1	Cable, Spark Plug - Right Side (23-1/2")
12	166B535	1	Coil, Ignition
13	167A1463	1	Cable, Spark Plug - Left Side (19")
14	160A1143	1	Diaphragm, Breaker Box
15	167-4	2	Plug, Spark
16	160A257	1	Box, Breaker (Includes Points, Condenser, Cover and Gasket)
17	160A428	1	Strap, Point Set to Terminal Block
18	160A349	1	Block and Terminal Assembly
19	160A261	1	Wick, Breaker Box
20	815P353	2	Screw, Breaker Box Mounting

GOVERNOR, STARTER, CHARGING ALTERNATOR
AND BLOWER HOUSING GROUP



REF. NO.	PART NO.	QTY. USED	PART DESCRIPTION
1	870-53	1	Nut, Locking - Governor Rod
2	150A639	1	Joint, Ball
3	150A629	1	Link, Throttle
4	518-6	1	Clip, Link End
5	HOUSING, CYLINDER AIR - LEFT 134K2498	1	Prior to Serial #292517 (Includes Hardware)
	134D589	1	Begin Serial #292517
6	134D2171	1	Housing, Blower
7	HOUSING, CYLINDER AIR - RIGHT 134K2497	1	Prior to Serial #292517 (Includes Hardware and Drain Tube)
	134B2094	1	Begin Serial #292517
8	321B169	1	Clip, Cylinder Air Housing
9	191C734	1	Motor, Starting (For Components See Separate Group)
10	191A864	2	Spacer, Starter Motor Mounting
11	191A793	1	Clip, Wiring Harness
12	191C854	1	Bracket, Starter Motor Mounting
13	191B859	1	Stator Assembly, Charging Alternator (Includes Parts Marked *)
14	191B400	1	Rotor, Charging Alternator
15	305C471	1	Regulator - Rectifier
16	SCREW, ROUND HEAD 812-156 813-109	6 3	Rotor Mounting Stator Mounting
17	WASHER, LOCK 850-40 850-30 850-50	6 3 5	Rotor Mounting Stator Mounting Starter Motor Mounting
18	323C488	4	*Socket, Connecting
19	323P759	1	*Housing, Connecting Sockets

REF. NO.	PART NO.	QTY. USED	PART DESCRIPTION
20	321P170	1	*Holder, Fuse
22	332-1408	2	*Terminal, Female
23	332-1409	1	*Housing, Terminal
24	142A35	1	*Spring, Screw Lock
25	818P149	1	*Eyelet, Contact
26	332P887	1	*Terminal, Faston
27	323P503	4	Pin, Connecting (Regulator)
28	323P763	1	Housing, Connecting Pins (Regulator)
29	870-131	1	Nut, Keps - Governor Ball Joint
30	150-1320	1	Arm, Governor Pivot
31	870-65	1	Nut, Huglock - Governor Arm
32	152-181	1	Bracket, Throttle Control
33	150A1319	1	Adapter, Governor Arm
34	508-162	1	Grommet, Rubber (Blind)
35	870-53	2	Nut, Governor
36	150A147	1	Stud, Governor High Speed
37	150A1321	1	Spring, Governor High Speed
38	134C2131	1	Baffle, Air
39	SCREW, HEX CAP 800-51 102A455	2 3	Starter Motor to Bracket Starter Bracket Mounting
40	517-109	1	Plug, Blower Housing
41	332A1358	1	Bracket, Connector Mounting
42	191C724	1	Stator Only
43	526A15	2	Washer, Governor Arm Pivot
44	122B345	1	Tube, Oil Filter Drain - Begin Serial #292517
45	520A751	4	Stud, Cylinder Air Housing Mounting - Begin Serial #292517
46	870-232	4	Nut, Cylinder Air Housing Mounting - Begin Spec #292517



STARTER MOTOR PARTS GROUP

REF. NO.	PART NO.	QTY. USED	PART DESCRIPTION
1	191D734	1	Motor Assy., Starting - Complete
	191-742	1	Yoke Assy. (Frame) - Includes Parts Marked *
2	191-743	1	Armature
3	191-744	1	Clutch, Starter
4	191-745	1	Stop, Pinion
5	191-746	1	Ring
6	191-747	1	Washer, Plain
7	191-748	1	Bracket Assembly, Front
8	191-749	1	Lever Assembly
9	191-750	1	Spring, Lever (A)
10	191-751	1	Spring, Lever (B)
11	191-752	1	Holder, Spring
12	191-753	1	Bracket Assembly, Rear

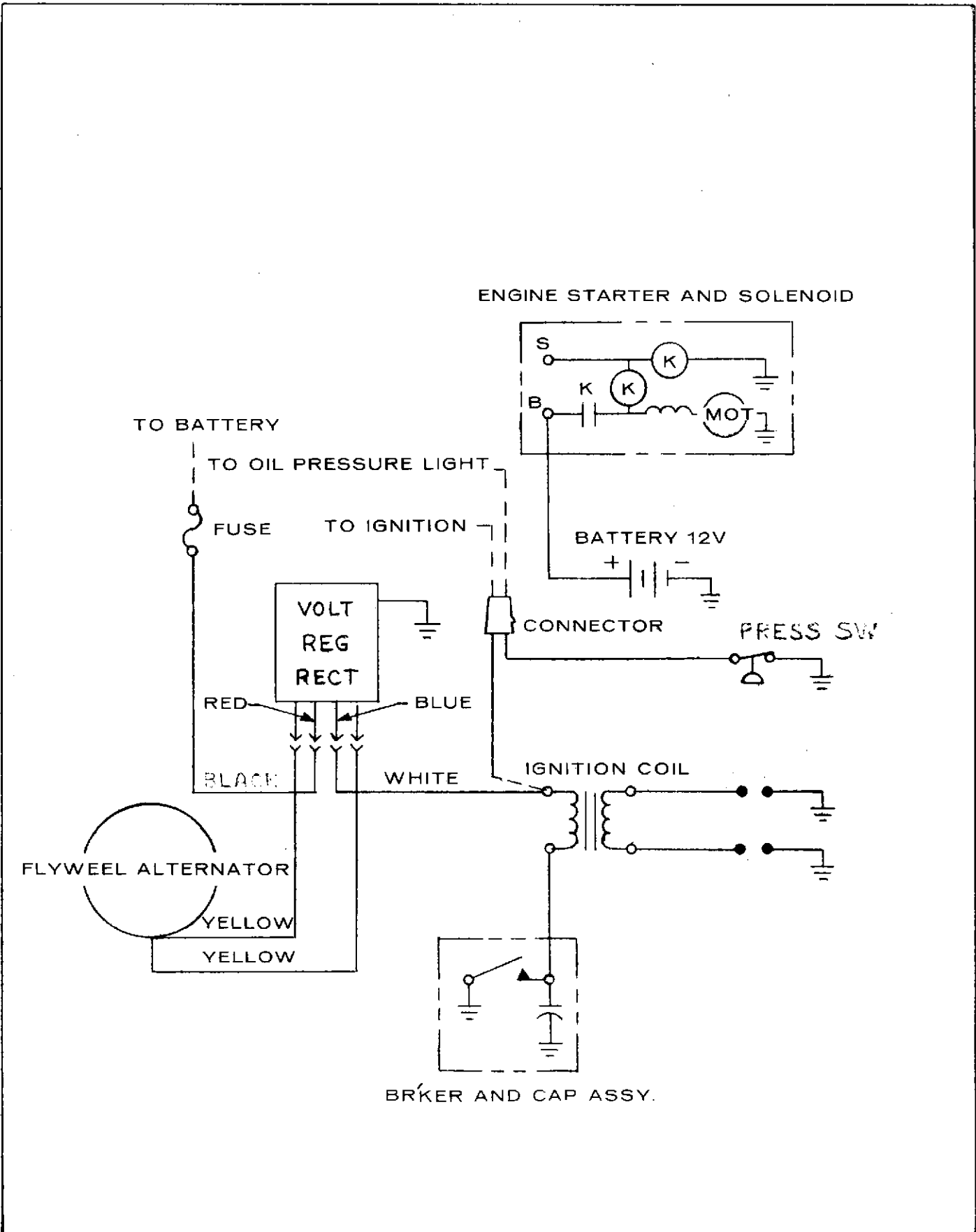
REF. NO.	PART NO.	QTY. USED	PART DESCRIPTION
13	191-754	1	Washer, Plain
14	191-755	1	Washer, Plain
15	191-756	1	Washer, Insulator
16	191-757	4	*Brush
17	191-758	4	Spring, Brush
18	191-759	2	Bolt, Through
19	191-760	3	Screw, Machine P.H.
20	191-761	1	Switch Assembly, Solenoid
21	191-762	1	*Coil Assembly, Field
22	191-763	1	Bearing, Front
23	191-764	1	Bearing, Rear
24	191-765	4	*Pole, Shoe
25	191-766	4	*Screw, Pan Head

* Included in Yoke Assembly

SERVICE KITS AND MISCELLANEOUS

NOTE: For other kits, refer to the group for the part in question.

REF. NO.	PART NO.	QTY. USED	PART DESCRIPTION
	168K103	1	Gasket Kit, Complete Engine
	160K836	1	Ignition Tune-up Kit
	168K95	1	Carbon Removal Gasket Kit
	522K259	1	Kit, Overhaul



ENGINE WIRING DIAGRAM

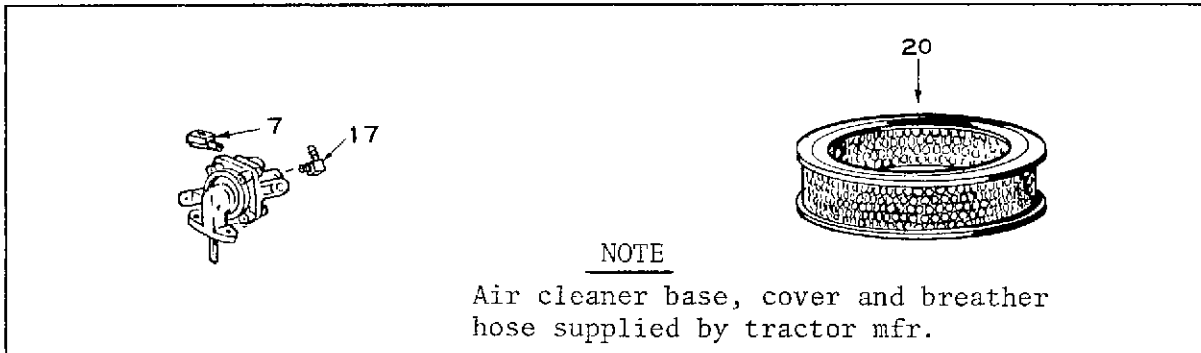
NOTES

SUPPLEMENTARY PARTS LIST

These parts apply to Onan CCKA-MS/2026G industrial engines for tractor application. Use these parts in place of/or in addition to those listed in the main parts catalog, 927-250. This will bring parts list up to date.

FUEL SYSTEM GROUP

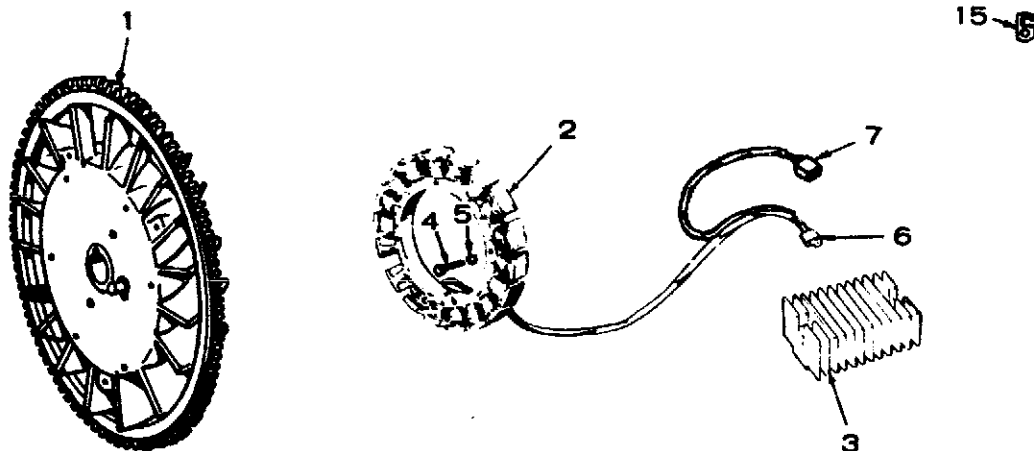
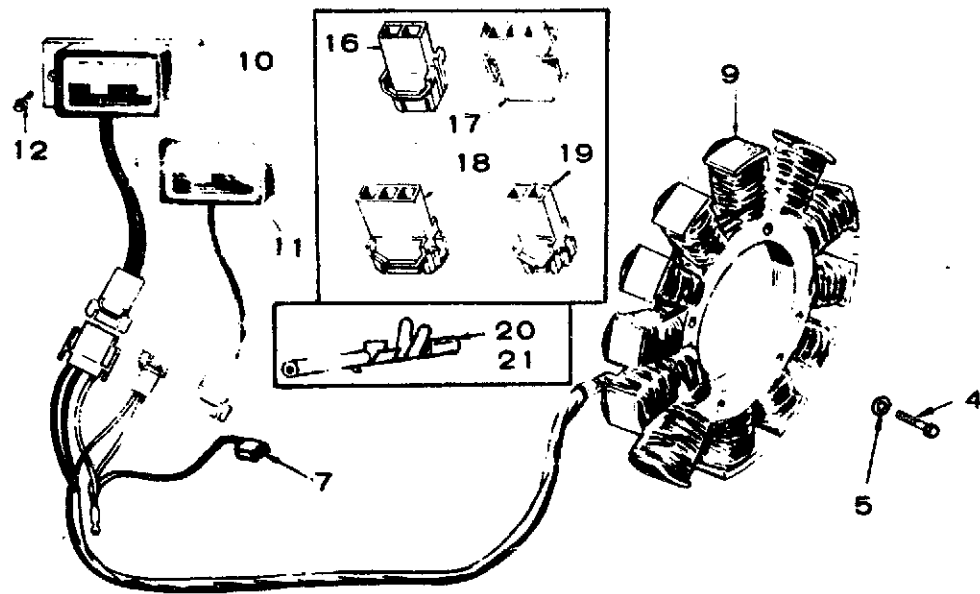
REF. NO.	PART NO.	QTY. USED	PART DESCRIPTION
7	502-2	1	Elbow, Fuel Pump Outlet
17	502-313	1	Elbow, Fuel Pump Inlet
20	140B1071	1	Element, Air Cleaner



GOVERNOR, STARTER, CHARGING ALTERNATOR AND BLOWER HOUSING GROUP

REF. NO.	PART NO.	QTY. USED	PART DESCRIPTION
42	191C724	1	* Stator Only

* - Included in Stator Assembly

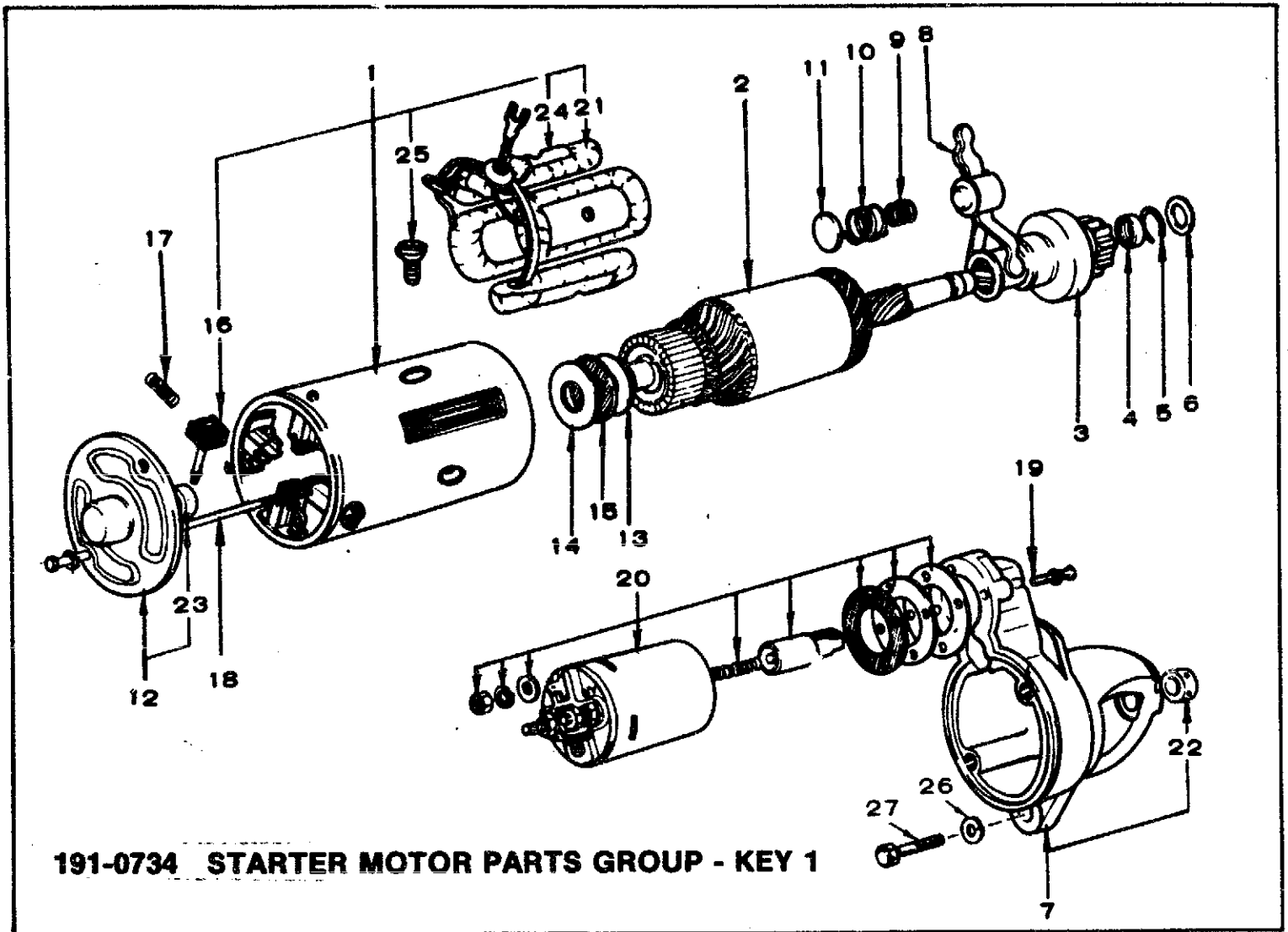


CHARGING ALTERNATOR GROUP

REF. NO.	PART NO.	QTY. USED	PART DESCRIPTION
1		1	Flywheel and Ring Gear
2	191-0932	1	Stator & Harness Assembly (15 Amp Alternator) - Key 1
3	191-0886	1	Regulator - Rectifier Assembly - Key 1
4	813-0108	3	Screw (10-32 x 1-1/2"), Round Head - Stator Mounting
5	850-0030	3	Washer (#10), Lock - Stator Mounting
6	323-0853	1	Connector
7	323-0851	1	Connector
9	191-1016	1	Stator & Harness Assembly (20 Amp Alternator) - Key 2 & 3
10	191-0938	1	Rectifier Assembly - Key 2 & 3

REF. NO.	PART NO.	QTY. USED	PART DESCRIPTION
11	191-0939	1	Regulator Assembly - Key 2 & 3
12	815-0181	4	Screw (10-32 x 1/2") - Regulator and Rectifier Mounting
15	167-0188	1	Clip, Stator Lead
16	323-0879	1	Connector, Stator Leads (2 Pins) - Key 2 & 3
17	323-0882	1	Connector, Stator Leads (3 Sockets) - Key 2 & 3
18	323-0881	1	Connector, Rectifier Leads (3 Pins) - Key 2 & 3
19	323-0880	1	Connector, Regulator Leads (2 Sockets) - Key 2 & 3
20	323-0496	5	Pin, Connector - Key 2 & 3
21	323-0488	5	Socket, Connector - Key 2 & 3

* - See Crankshaft and Flywheel Group for part number.

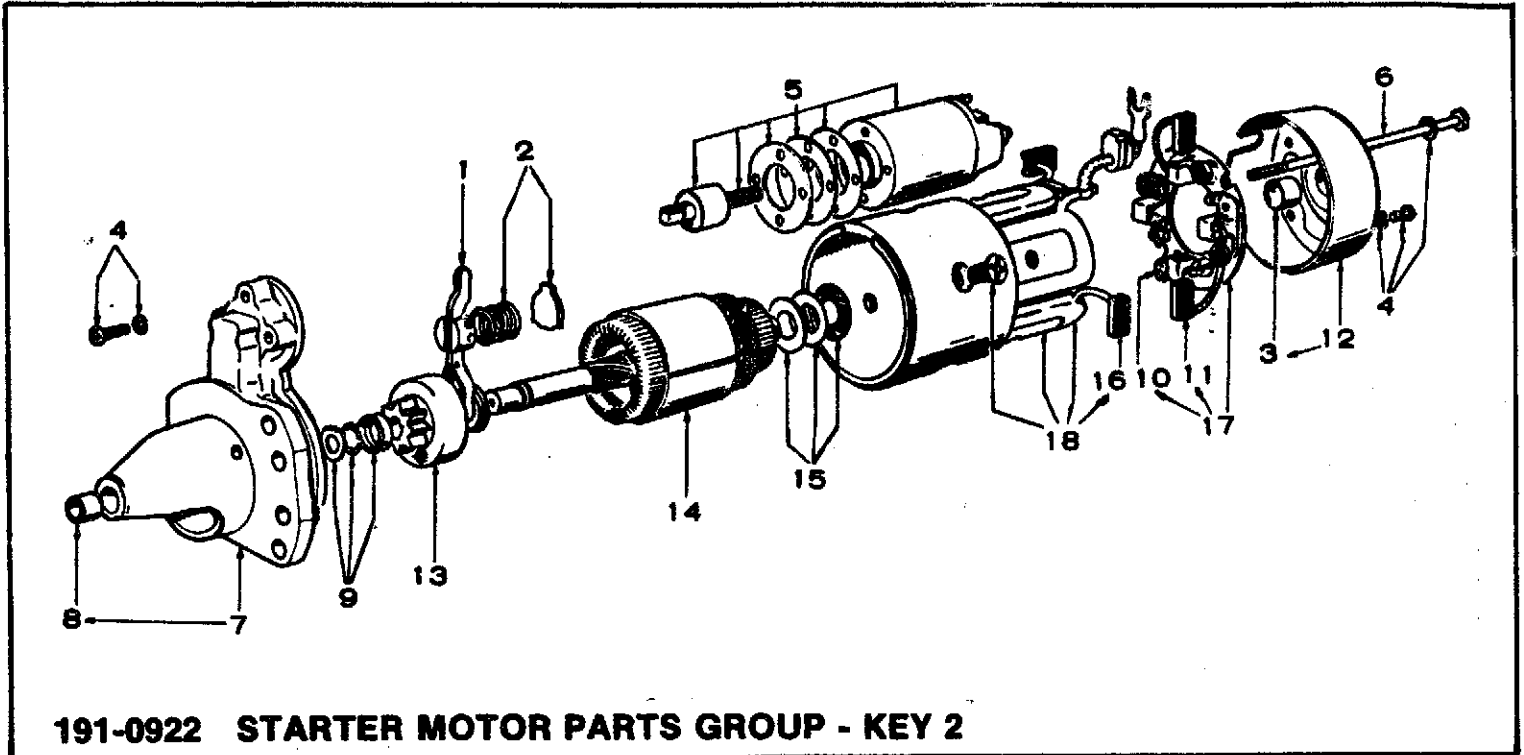


191-0734 STARTER MOTOR PARTS GROUP - KEY 1

REF. NO.	PART NO.	QTY. USED	PART DESCRIPTION
1	191-0734	1	Motor Assembly, Starting
	191-0742	1	Yoke Assembly (Frame) - Includes Parts Marked *
2	191-0743	1	Armature
3	191-0744	1	Clutch, Starter
4	191-0745	1	Stop, Pinion
5	191-0746	1	Ring
6	191-0747	1	Washer, Plain
7	191-0748	1	Bracket Assembly, Front
8	191-0749	1	Lever Assembly
9	191-0750	1	Spring, Lever (A)
10	191-0751	1	Spring, Lever (B)
11	191-0752	1	Holder, Spring
12	191-0753	1	Bracket Assembly, Rear
13	191-0754	1	Washer, Plain
14	191-0755	1	Washer, Plain
15	191-0756	1	Washer, Insulator

REF. NO.	PART NO.	QTY. USED	PART DESCRIPTION
16	191-0757	4	*Brush
17	191-0758	4	Spring, Brush
18	191-0759	2	Bolt, Through
19	191-0760	3	Screw, Machine P.H.
20	191-0761	1	Switch Assembly, Solenoid
21	191-0762	1	*Coil Assembly, Field
22	191-0763	1	Bearing, Front
23	191-0764	1	Bearing, Rear
24	191-0765	4	*Pole Shoe
25	191-0766	4	*Screw, Pan Head
26	850-0050	2	Washer, Lock - Starter Motor Mounting
27	800-0051	2	Screw, Hex Cap - Starter Motor Mounting

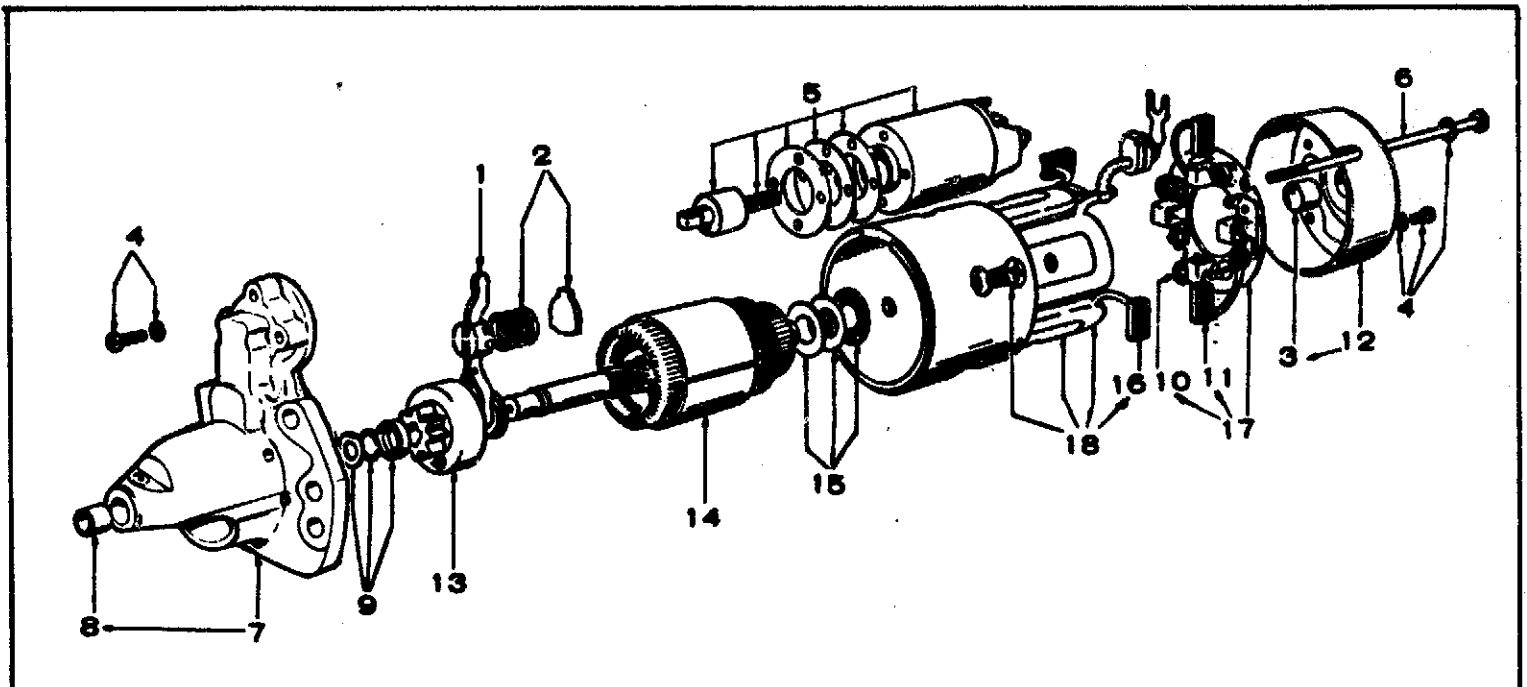
* - Included in Yoke Assembly.



191-0922 STARTER MOTOR PARTS GROUP - KEY 2

REF. NO.	PART NO.	QTY. USED	PART DESCRIPTION
	191-0922	1	Motor, Starting - Complete
1	191-0983	1	Lever Assembly
2	191-0984	1	Spring Set
3	191-1010	1	Bearing, Rear Bracket Assembly
4	191-1011	1	Screw Set
5	191-0987	1	Switch Assembly
6	191-0988	2	Bolt, Through
7	191-0989	1	Bracket Assembly, Front (Includes Bearing)
8	191-0990	1	Bearing, Front Bracket
9	191-0991	1	Stopper Set, Pinion
10	191-1007	4	£Spring, Brush
11	191-1008	2	£Brush, Negative
12	191-1009	1	Bracket Assembly, Rear (Includes Bearing)
13	191-0995	1	Clutch Assembly
14	191-0996	1	Armature
15	191-0997	1	Washer Set
16	191-1005	2	Brush, Positive
17	191-1006	1	Holder Assembly, Brush (Includes Parts Marked £)
18	191-1001	1	Field Coil Set (Includes Positive Brush)

£ - Parts included in 191-1006 Brush Holder Assembly.



191-1052 STARTER MOTOR PARTS GROUP - KEY 3

<u>REF. NO.</u>	<u>PART NO.</u>	<u>QTY. USED</u>	<u>PART DESCRIPTION</u>
	191-1052	1	Motor, Starting - Complete
1	191-0983	1	Lever Assembly
2	191-0984	1	Spring Set
3	191-1010	1	Bearing, Rear Bracket Assembly
4	191-1011	1	Screw Set
5	191-0987	1	Switch Assembly
6	191-0988	2	Bolt, Through
7	191-1086	1	Bracket Assembly, Front (Includes Bearing)
8	191-0971	1	Bearing, Front Bracket
9	191-0991	1	Stopper Set, Pinion
10	191-1007	4	*Spring, Brush
11	191-1008	2	*Brush, Negative
12	191-1009	1	Bracket Assembly, Rear (Includes Bearing)
13	191-1087	1	Clutch Assembly
14	191-1088	1	Armature
15	191-0997	1	Washer Set
16	191-1005	2	Brush, Positive
17	191-1006	1	Holder Assembly, Brush (Includes Parts Marked *)
18	191-1089	1	Field Coil Set (Includes Positive Brushes)

* - Parts Included in 191-1006 Brush Holder Assembly.

SERVICE KITS AND MISCELLANEOUS

NOTE: For other kits, refer to the group for the part in question.

<u>REF. NO.</u>	<u>PART NO.</u>	<u>QTY. USED</u>	<u>PART DESCRIPTION</u>
	168-0103	1	Gasket Kit, Complete Engine
	160-0836	1	Ignition Tune-Up Kit
	168-0095	1	Carbon Removal Gasket Kit
	522-0267	1	Kit, Overhaul