

ONAN 927-2500 (Rev. 9-27)
 (Replaces Rev. 12-72)

SUPPLEMENTARY PARTS LIST

Parts in this list apply to the CCKA-MS/2222G, CCKA-MS/2481G and CCKA-MS/2803J Industrial Engines. Use these parts in place of/or in addition to those listed in the Service and Parts Catalog 927-0250. Using the MODEL and SPEC from the engine nameplate, select the Parts Key No. from the list below. This Parts Key No. represents parts that differ between models. Parts not keyed apply to all models.

NOTE: Parts similar in appearance to those in the parts catalog are not illustrated.

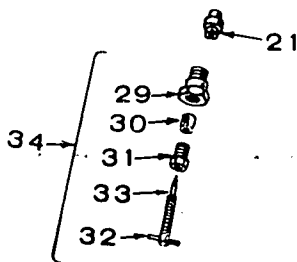
<u>MODEL & SPEC</u>	<u>PARTS KEY</u>
CCKA-MS/2222G	1
CCKA-MS/2481G	2
CCKA-MS/2803J	3

CYLINDER BLOCK GROUP

<u>REF. NO.</u>	<u>PART NO.</u>	<u>QTY. USED</u>	<u>PART DESCRIPTION</u>
9	800-0512	5	Screw (5/16-18 x 1"), Bearing Plate Mounting (Included in Cylinder Block Assembly)
22	DELETE		

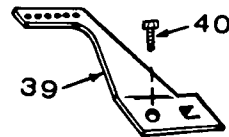
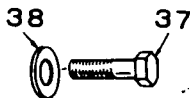
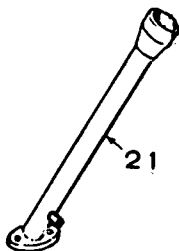
CRANKSHAFT, FLYWHEEL, CAMSHAFT AND PISTON GROUP

<u>REF. NO.</u>	<u>PART NO.</u>	<u>QTY. USED</u>	<u>PART DESCRIPTION</u>
20	KEY, FLYWHEEL MOUNTING 515-0098	1	Key 3 (Use with 104-0910 Crankshaft Only)
	515-0002	1	Key 1, 2 (Use with 104-0789 Crankshaft Only)
25	CRANKSHAFT 104-0910	1	Key 3 (Use 515-0098 Key Only)
	104-0789	1	Key 1, 2 (Use 515-0002 Key Only)



CARBURETOR PARTS GROUP

<u>REF. NO.</u>	<u>PART NO.</u>	<u>QTY. USED</u>	<u>PART DESCRIPTION</u>
	142-0567	1	Carburetor - Key 3,
	142-0564	1	Carburetor - Key 1, 2
	142-0371	1	Repair Kit, Carburetor - Key 1, 2
13	DELETE		Key 3
16	DELETE		Key 3
17	DELETE		Key 3
21	NUT AND JET NOZZLE		
	142-0493	1	Key 3
	142-0370	1	Key 1, 2
22	DELETE		Key 1, 2
26	DELETE		Key 3
27	DELETE		Key 3
29	142-0046	1	Retainer, Main Adjusting - Key 1, 2
30	142-0206	1	Packing, Main Adjusting Needle - Key 1,2
31	142-0045	1	Retainer, Main Adjusting Needle Packing - Key 1, 2
32	516-0027	1	Pin, Main Adjusting Needle - Key 1, 2
33	142-0041	1	Needle, Main Adjusting - Key 1, 2
34	142-0042	1	Needle Assembly (Includes Packing, Nut and Retainer) - Key 1, 2

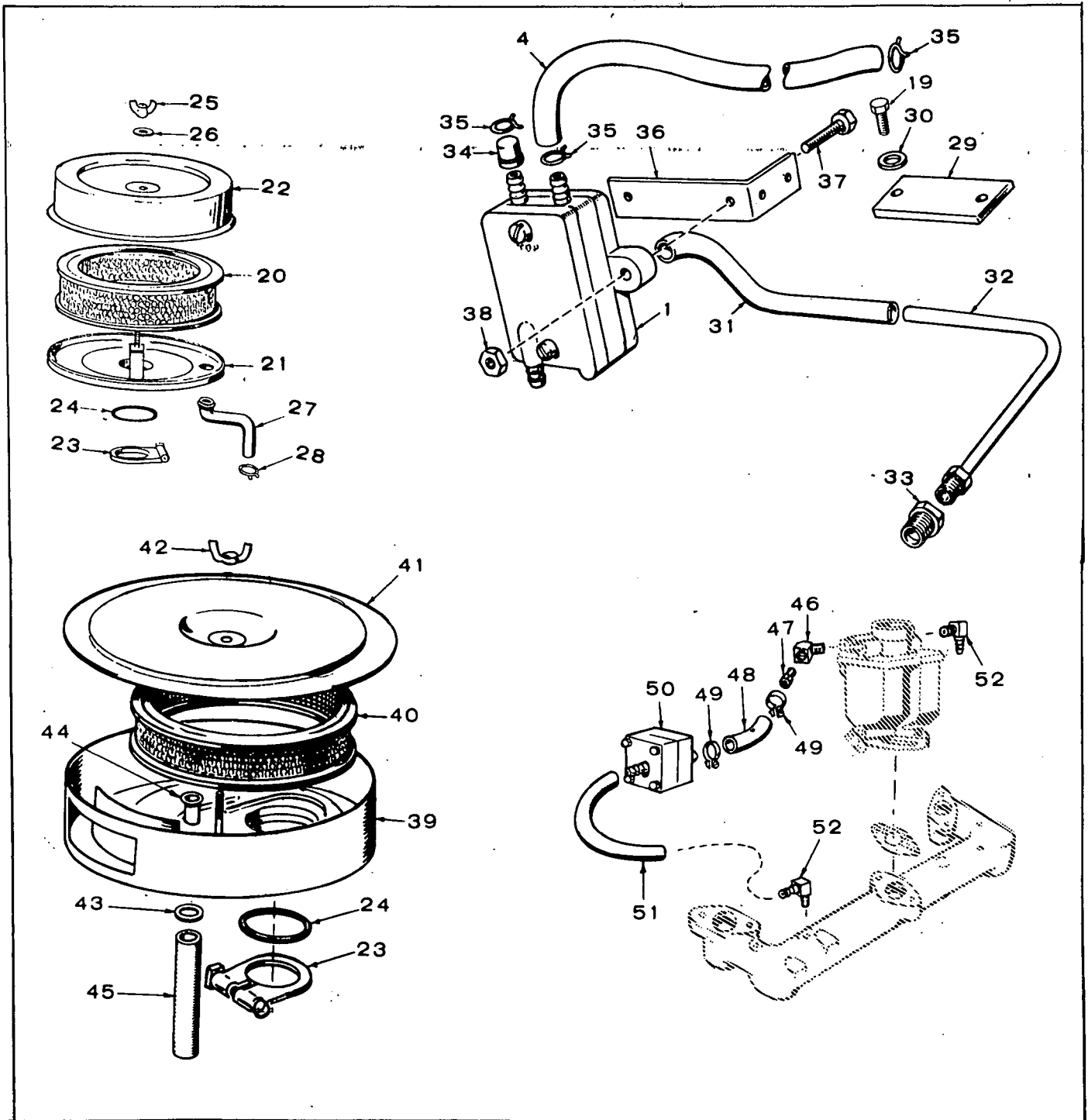


GEAR COVER, OIL BASE & OIL PUMP GROUP

<u>REF. NO.</u>	<u>PART NO.</u>	<u>QTY. USED</u>	<u>PART DESCRIPTION</u>
3	*SHAFT & ARM ASSEMBLY, GOVERNOR		
	150-1451	1	Key 3
	150-0397	1	Key 1, 2
4	*YOKE, GOVERNOR SHAFT		
	150-1187	1	Key 3
	150-0620	1	Key 1, 2
5	518-0129	1	*Ring, Yoke Retainer - Key 1, 2

<u>REF.</u> <u>NO.</u>	<u>PART</u> <u>NO.</u>	<u>QTY.</u> <u>USED</u>	<u>PART</u> <u>DESCRIPTION</u>
7	*BEARING. GOVERNOR SHAFT - LOWER		
	510-0013	1	Key 3
	510-0008	1	Key 1, 2
9	GEARCASE ASSEMBLY (Includes Parts Marked *)		
	103-0502	1	Key 3
	103-0332	1	Key 1, 2
15	BASE, OIL		
	102-0756	1	Key 3
	102-0706	1	Key 1, 2
16	SCREW, HEX CAP		
	800-0032	4	Gear Cover Mounting (5/16-18 x 1-3/4")
	800-0034	1	Gear Cover Mounting (5/16-18 x 2-1/4")
21	123-1216	1	Tube, Oil Fill - Key 2,3
37	800-0028	2	Screw (5/16-18 x 1") - Oil Filter Adapter Mounting
38	526-0065	2	Washer, Copper (5/16") - Oil Filter Adapter Mounting
39	150-1073	1	Extension, Governor Arm - Key 2
40	815-0181	1	Screw (10-32 x 1/2") - Governor Arm Extension Mounting - Key 2
41	815-0046	2	*Screw (8-32 x 3/8") - Yoke Mounting Key 3

* - Included in Gear Cover Assembly.

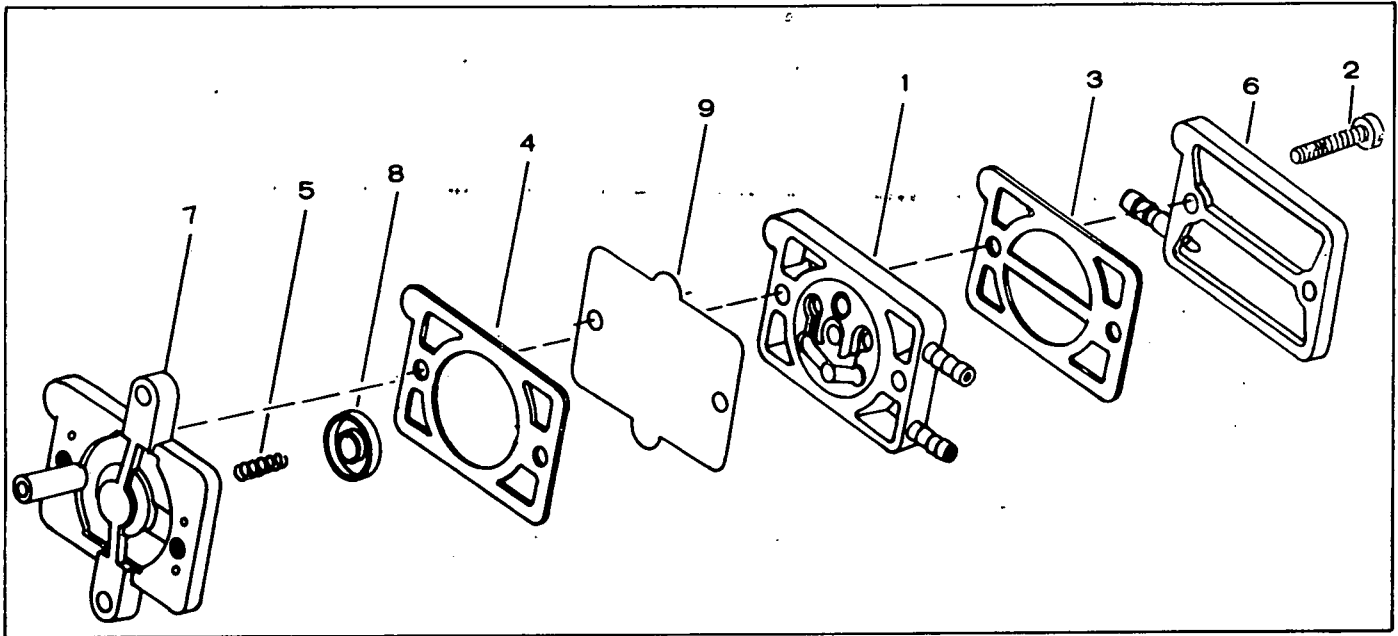


FUEL SYSTEM GROUP

<u>REF. NO.</u>	<u>PART NO.</u>	<u>QTY. USED</u>	<u>PART DESCRIPTION</u>
1	149-1322	1	Pump Assembly, Vacuum Fuel (See Separate Group for Components) Key 2, 3
3	149-0003	1	Gasket, Fuel Pump Hole Cover Plate Key 2, 3
4	LINE, FUEL PUMP TO CARBURETOR	1	Key 3 (Order 16" of Bulk Hose 503-0573)
		1	Key 2 (Order 14" of Bulk Hose 503-0385)

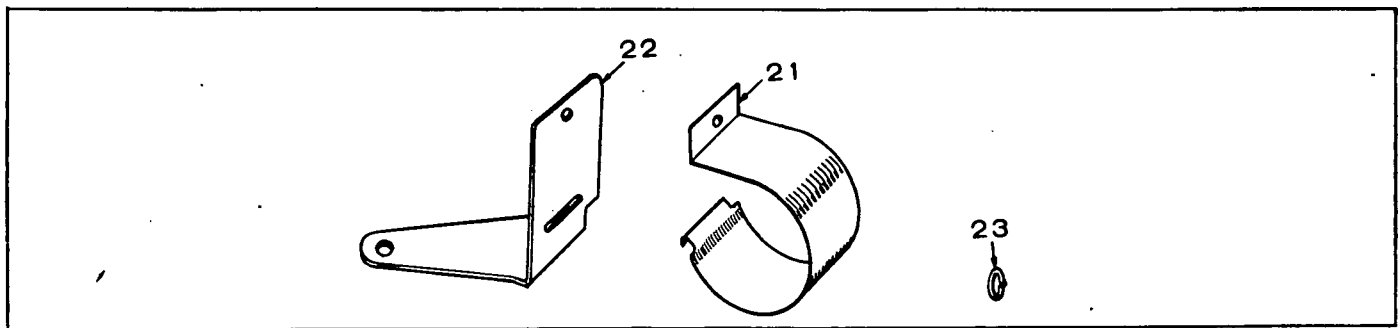
FUEL SYSTEM GROUP - Continued

<u>REF. NO.</u>	<u>PART NO.</u>	<u>QTY. USED</u>	<u>PART DESCRIPTION</u>
5	ELBOW, - KEY 1 ONLY		
	502-0388	1	Fuel Pump Outlet
	502-0313	1	Carburetor Inlet
6	CARBURETOR (See Separate Group for Components)		
	142-0567	1	Key 3
	142-0564	1	Key 1, 2
7	DELETE		Key 2, 3
12	154-1703	1	Manifold, Intake - Key 3
14	DELETE		Key 2, 3
17	DELETE		Key 2, 3
18	DELETE		Key 1, 2, 3
19	800-0004	2	Screw (1/4-20 x 5/8") - Fuel Pump Hole Cover Mounting - Key 2, 3
20	140-1055	1	Element, Air Cleaner - Key 1, 2
21	140-1206	1	Base, Air Cleaner - Key 1, 2
22	140-1053	1	Cover, Air Cleaner - Key 1, 2
23	140-1058	1	Clamp, Air Cleaner
24	509-0124	1	Seal, "O" Ring - Air Cleaner
25	865-0022	1	Nut, Wing - Air Cleaner - Key 1, 2
26	526-0008	1	Washer, Flat - Air Cleaner - Key 1, 2
27	123-1199	1	Tube, Breather - Key 1, 2
28	503-0170	1	Clamp, Hose - Key 1, 2
29	149-0136	1	Plate, Fuel Pump Hole Cover - Key 2, 3
30	526-0063	2	Washer, Copper (1/4") - Fuel Pump Hole Cover Mounting - Key 2, 3
31	HOSE, VACUUM		
		1	Key 3 (Order 6" of Bulk Hose 503-0385)
		1	Key 2 (Order 8" of Bulk Hose 503-0385)
32	149-1330	1	Line, Vacuum - Oil Fill Tube to Vacuum Hose - Key 2, 3
33	502-0018	1	Connector, Inverted Male - Oil Fill Tube to Vacuum Line - Key 2, 3
34	149-1321	1	Cap, Fuel Pump - Key 2, 3
35	503-0301	As Req.	Clamp, Hose - Key 2, 3
36	149-1329	1	Bracket, Fuel Pump Mounting - Key 2, 3
37	813-0102	2	Screw (10-32 x 5/8") - Fuel Pump To Bracket - Key 2, 3
38	870-0131	2	Nut, Hex (10-32) - Fuel Pump to Bracket - Key 2, 3
39	140-1307	1	Housing, Air Cleaner - Key 3
40	140-1228	1	Element, Air Cleaner - Key 3
41	140-1232	1	Cover, Air Cleaner Housing - Key 3
42	865-0020	1	Nut (1/4-20) - Wing - Key 3
43	851-0011	1	Washer (1/4") - Lock - Key 3
44	123-0733	1	Tube, Breather Connector - Key 3
45	503-0611	1	Hose, Breather - Key 3
46	502-0053	1	Elbow, Street - Key 3
47	502-0279	1	Nipple, Hex - Key 3
48	503-0732	1	Hose, Carburetor Vent - Key 3
49	503-0734	2	Clamp, Hose - Key 3.
50	145-0465	1	Vent Assembly, Carburetor - Key 3
51	503-0733	1	Hose, Carburetor Vent Vacuum - Key 3
52	502-0313	1	Elbow, Hose - Key 3



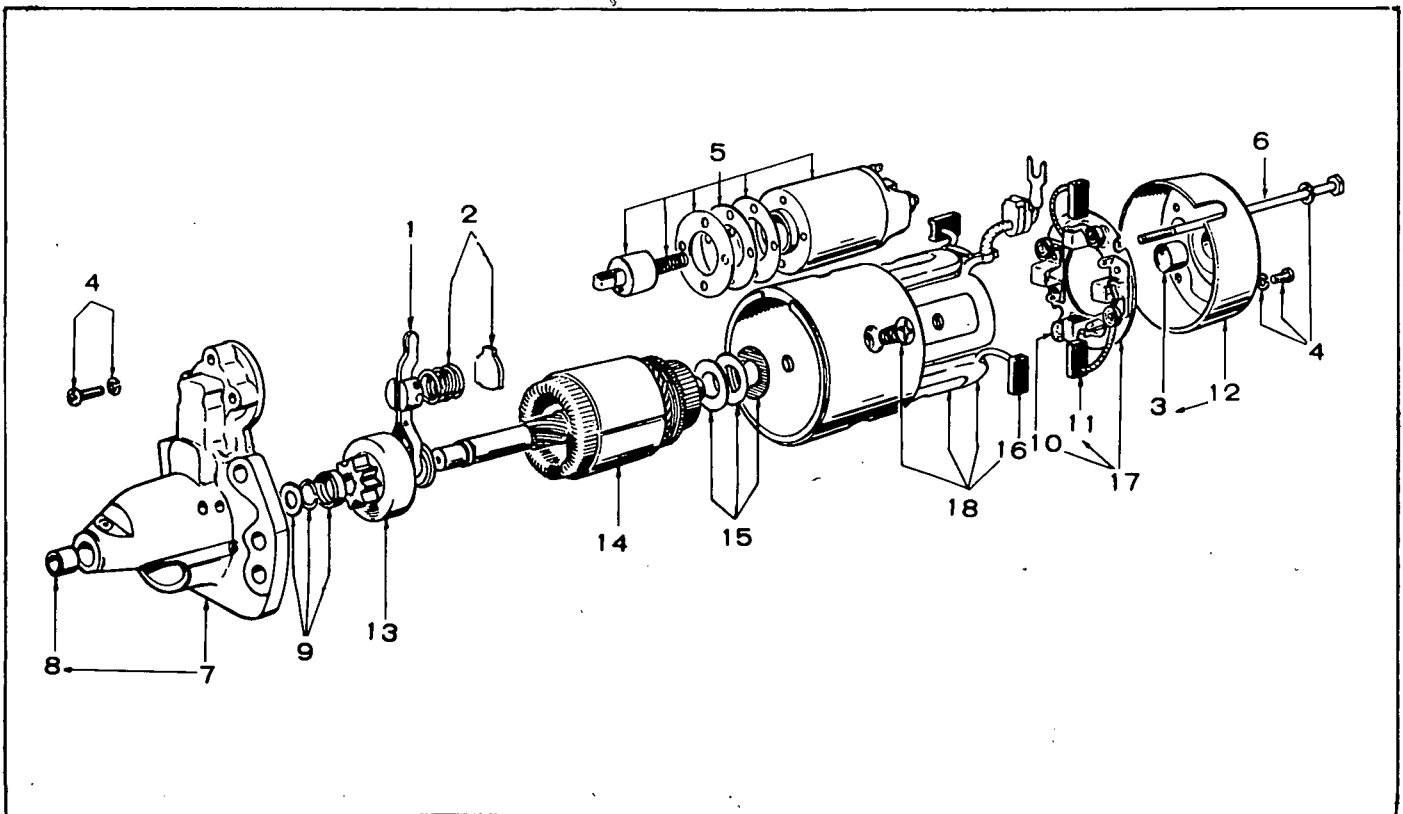
FUEL PUMP PARTS GROUP - Key 2, 3

<u>REF. NO.</u>	<u>PART NO.</u>	<u>QTY. USED</u>	<u>PART DESCRIPTION</u>
	149-1322	1	Pump Assembly, Complete - Key 2, 3
1	142-0537	1	Valve Plate Assembly
2	142-0540	2	Screw, Pump Cover
3	149-1323	1	Gasket, Cover to Valve Plate
4	142-0541	1	Gasket, Base to Diaphragm
5	142-0545	1	Spring, Pump Diaphragm
6	149-1326	1	Cover, Pump
7	149-1324	1	Base, Pump
8	142-0552	1	Plate, Pump Spring
9	142-0555	1	Diaphragm, Pump



IGNITION GROUP

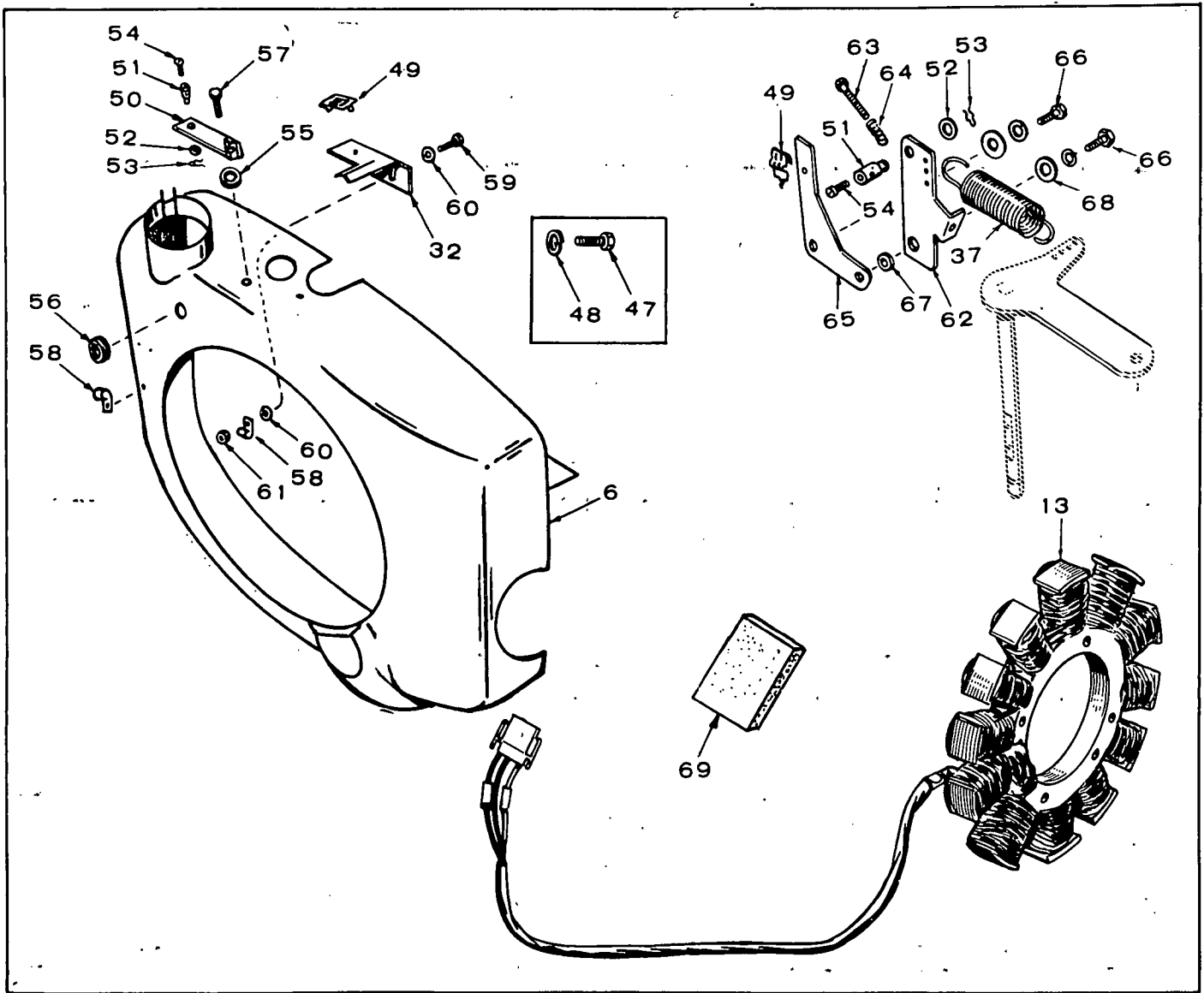
<u>REF. NO.</u>	<u>PART NO.</u>	<u>QTY. USED</u>	<u>PART DESCRIPTION</u>
11	167-1462	1	Cable, Spark Plug (17") - Key 3
13	167-1494	1	Cable, Spark Plug (10") - Key 3
14	DELETE		Key 3
20	802-0034	2	Screw (1/4-20 x 3/4") - Breaker Box Mounting
21	166-0588	1	Clamp, Coil - Key 3
22	166-0590	1	Bracket, Coil Mounting - Key 3
23	850-0040	2	Washer (1/4") - Lock - Breaker Box Mounting



191-1052 STARTING MOTOR GROUP - KEY 3

<u>REF. NO</u>	<u>PART NO.</u>	<u>QTY. USED</u>	<u>PART DESCRIPTION</u>
	191-1052	1	Motor Starting - Complete
1	191-0983	1	Lever Assembly
2	191-0984	1	Spring Set
3	191-1010	1	Bearing, Rear Bracket Assembly
4	191-1011	1	Screw Set
5	191-0987	1	Switch Assembly
6	191-0988	2	Bolt, Through
7	191-1086	1	Bracket Assembly, Front (Includes Bearing)
8	191-0971	1	Bearing, Front Bracket
9	191-0991	1	Stopper Set, Pinion
10	191-1007	4	*Spring, Brush
11	191-1008	2	*Brush, Negative
12	191-1009	1	Bracket Assembly, Rear (Includes Bearing)
13	191-1087	1	Clutch Assembly
14	191-1088	1	Armature
15	191-0997	1	Washer Set
16	191-1005	2	Brush, Positive
17	191-1006	1	Holder Assembly, Brush (Includes Parts Marked *)
18	191-1089	1	Field Coil Set (Includes Positive Brushes)

* - Parts included in 191-1006 Brush Holder Assembly.



GOVERNOR, STARTER, CHARGING ALTERNATOR AND BLOWER HOUSING GROUP

<u>REF. NO.</u>	<u>PART NO.</u>	<u>QTY. USED</u>	<u>PART DESCRIPTION</u>
6	HOUSING, BLOWER 134-2975 134-2644 134-2171	1 1 1	Key 3 Key 2 Key 1
7	HOUSING, CYLINDER AIR - RIGHT 134-2760 134-2094	1 1	Key 3 Key 1, 2
9	191-1052	1	Motor, Starting (See Separate Group for Components) - Key 3
10	DELETE		Key 3
12	DELETE		Key 3
13	191-1109	1	Stator Assembly, Charging Alternator Key 3
30	DELETE		Key 2, 3
31	DELETE		Key 2, 3
32	152-0192	1	Bracket, Governor Control - Key 2
33	DELETE		Key 2, 3
34	DELETE		Key 3

GOVERNOR, STARTER, CHARGING ALTERNATOR AND BLOWER HOUSING GROUP - Continued

<u>REF. NO.</u>	<u>PART NO.</u>	<u>QTY. USED</u>	<u>PART DESCRIPTION</u>
35	870-0131	1	Nut, Hex (10-32) - Governor - Key 2
36	DELETE		Key 3
37	SPRING, GOVERNOR		
	150-1214	1	Key 3
	150-0098	1	Key 2
	150-1321	1	Key 1
38	DELETE		Key 3
39	800-0051	2	Screw, Starter Mounting - Key 3
40	PLUG, BLOWER HOUSING		
	517-0034	1	Key 3 - Dot Button
	517-0109	1	Key 1, 2
41	DELETE		Key 3
42	191-0724	1	Stator Only - Key 1, 2, 3
43	DELETE		Key 2, 3
47	800-0006	3	Screw (1/4-20 x 7/8") - Rectifier - Regulator Mounting
48	850-0040	3	Washer, Lock (1/4") - Rectifier - Regulator Mounting
49	518-0176	1	Clip, Throttle Cable - Key 2, 3
50	152-0193	1	Arm, Governor (Rear Pull) - Key 2
51	SWIVEL		
	152-0155	1	Throttle Cable - Key 3
	152-0155	1	Governor Arm - Key 2
52	526-0006	1	Washer, Flat (#6) - Key 2, 3
53	516-0059	1	Pin, Cotter - Key 2, 3
54	815-0104	1	Screw (8-32 x 5/16") - Key 2, 3
55	152-0196	1	Spacer, Governor Arm - Key 2
56	508-0005	1	Grommet (For 9/16" Hole) - Key 2,3
57	821-0010	1	Screw, Locking (1/4-20 x 1/2") - Govern Arm Pivot - Key 2
58	332-0051	2	Clip, Hose - Key 2, 3
59	813-0105	1	Screw (10-32 x 1") - Governor Control Bracket Mounting - Key 2
60	526-0049	2	Washer, Flat (#10) - Bracket Mounting - Key 2
61	870-0131	1	Nut, Hex (10-32) Bracket Mounting Key 2
62	150-1435	1	Arm, Governor Control - Key 3
63	812-0068	1	Screw (6-32 x 1") Round Head - Key 3
64	150-1398	1	Spring, Governor Idle - Key 3
65	150-1343	1	Bracket, Governor Mounting - Key 3
66	821-0010	2	Screw (1/4-20 x 1/2") - Governor Control Mounting - Key 3
67	150-1269	1	Bushing, Governor Control - Key 3
68	526-0214	1	Washer, Governor Control Mounting Key 3
69	191-1076	1	Seal, Starter Air - Key 3