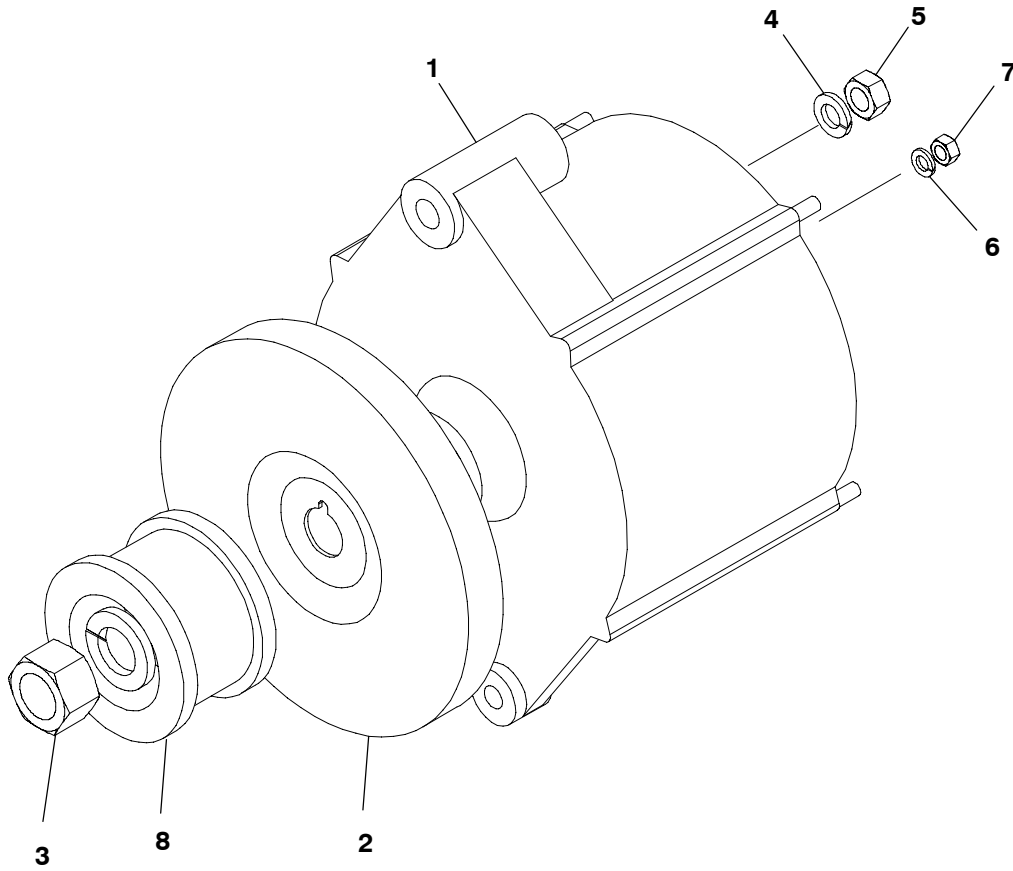


Alternator



REF NO.	PART NO.	QTY USED	PART DESCRIPTION	REF NO.	PART NO.	QTY USED	PART DESCRIPTION
1	191-2326-01	1	Alternator	2	191-2330	1	Fan, Alternator
			PLEASE NOTE: This part number is valid only through Spec F. Beginning Spec G, the replacement / service part is available only from Northern Power Products (651) 452-8900. Reference ASOMS TEXT.	3	860-2031	1	Nut, Hex (M16 x 1.5)
				4	850-2008	1	Washer, Lock (M8)
				5	860-2008	1	Nut, Hex (M8)
				6	850-2005	2	Washer, Lock (M5)
				7	860-2006	2	Nut, Hex (M5)
				8	512-0229	1	Pulley, Alternator

Supplement 928–1024

Date: 9–20–2007

Insert with-

Title: GGFD, GGFE Parts Catalog

Number: 928–0243D

PURPOSE

This publication adds supplementary information to the following pages of the GGFD, FE Parts Catalog.

Pages: 64 – added contact information for service part (Item 1).

SUPPLEMENT USE

Refer to the corresponding pages of your manual and write “IMPORTANT: REFER TO SUPPLEMENT”.

Please keep this supplement with the Parts Catalog (928–0243D).