

The following catalog has gaps in its page numbers, or doesn't have any numbers. We have chosen to leave the page numbering in the order that Acrobat assigns it.

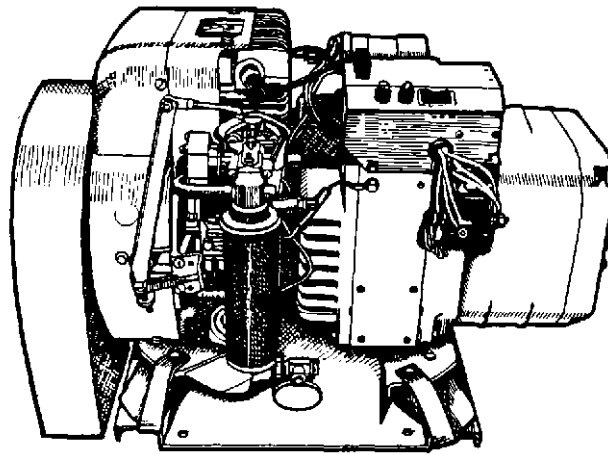
Onan Parts Catalog

SERIES

LK-RV GenSet

ER 63534

PROPERTY
OF
SERVICE PARTS
LIBRARY
DO NOT REMOVE



INDEX

GENERATOR SET SECTION	LOCATION
GENERATING SET DATA TABLE	A4
Block, Cylinder	A6,A7
Camshaft	A7
Carburetor Parts	B1
Control - Spec A through L	B8,B9
Control - Begin Spec M	B10
Crankshaft and Flywheel	A10
Exhaust System	B4
Fuel System - Spec A through L	A12,A13
Fuel System - Begin Spec M	A14
Gearcase	A5
Generator - Spec A through L	B5
Generator - Begin Spec M	B6,B7
Governor	A5
Housing, Air	B3
Ignition System	A11
Oil Base and Mounting Plate	A8,A9
Piston and Rod	A10
Pump, Fuel - Parts	B2
Service Kits and Miscellaneous	B11
OPTIONAL EQUIPMENT	
Control, Remote Starting	C2

INTRODUCTION

This catalog applies to the standard LK Recreational Vehicle generator set. Parts are arranged in groups of related items. Each illustrated part is identified by a reference number corresponding to the same reference number in the parts list for that group. Parts illustrations are typical. Using the *Model* and *Spec No.* from the nameplate, select parts from this catalog that apply to your set. Unless otherwise mentioned in the description, parts are interchangeable between models. Right and left sides are determined by facing the engine end (front) of the set.

DATA TABLE

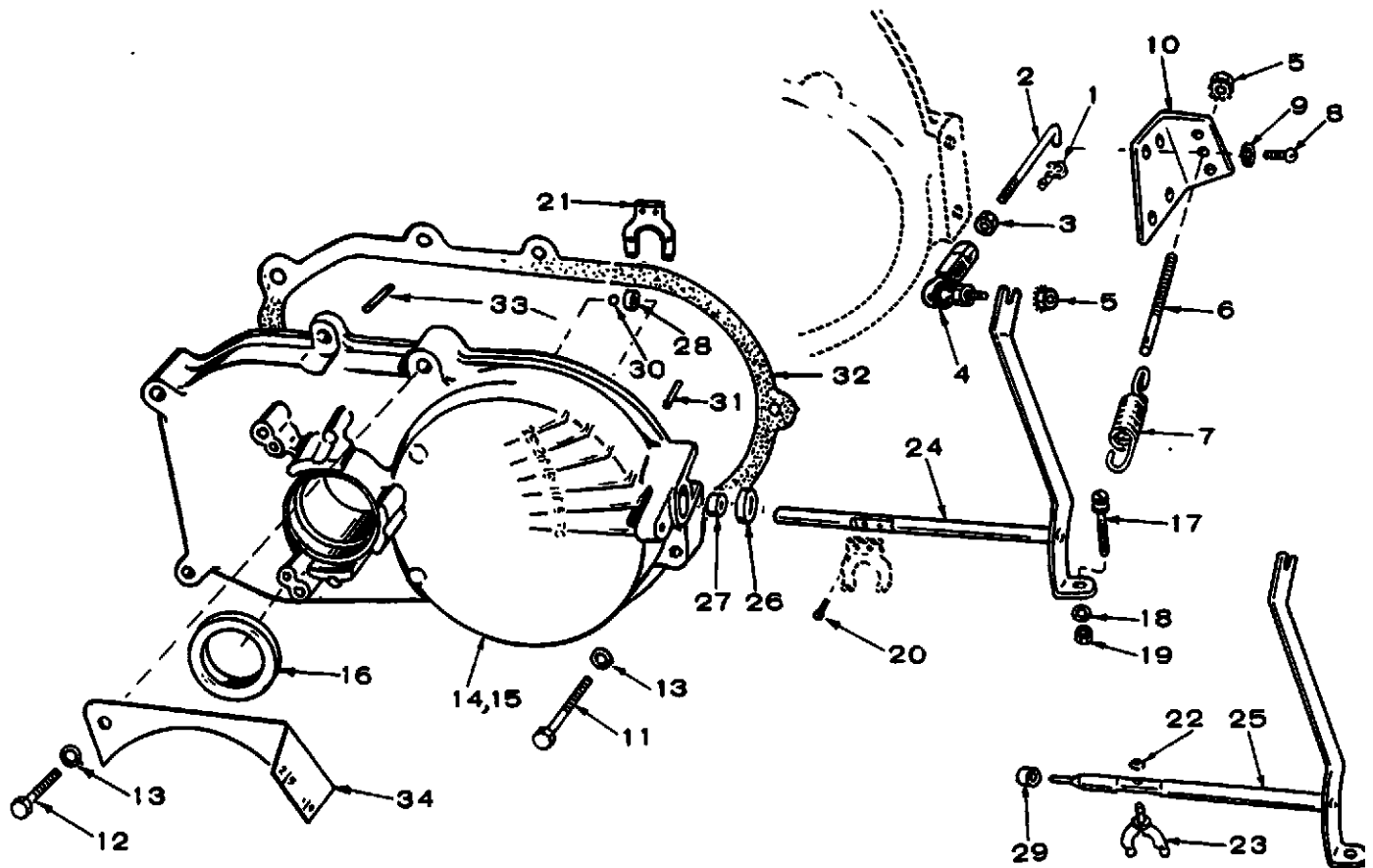
MODEL AND SPEC NO.	TYPE	WATTS	VOLTS	HERTZ	WIRE	PHASE
1.7LK-52R/*	Remote	1750	240	50	2	1
1.7LK-53CR/*	Remote	1750	120/240	50	**	1
2.5LK-1R/*	Remote	2500	120	60	2	1
2.5LK-3CR/*	Remote	2500	120/240	60	**	1

- * - The Specification Letter advances (A to B, B to C, etc.) with manufacturing changes.
- ** - Set is reconnectable for 120 volt, 2 wire, 240 volt, 2 wire or 120/240 volt, 3 wire service.
The letter R in MODEL and SPEC denotes electric start with start-stop at both the set and the remote control.

NOTICE!

ITEMS REFERENCED AS **OPTIONAL** INDICATE PART IS FACTORY INSTALLED AND MAY NOT BE APPLICABLE TO ALL MODELS. FOR FIELD CONVERSIONS ADDITIONAL PARTS ARE USUALLY REQUIRED.

GEARCASE AND GOVERNOR

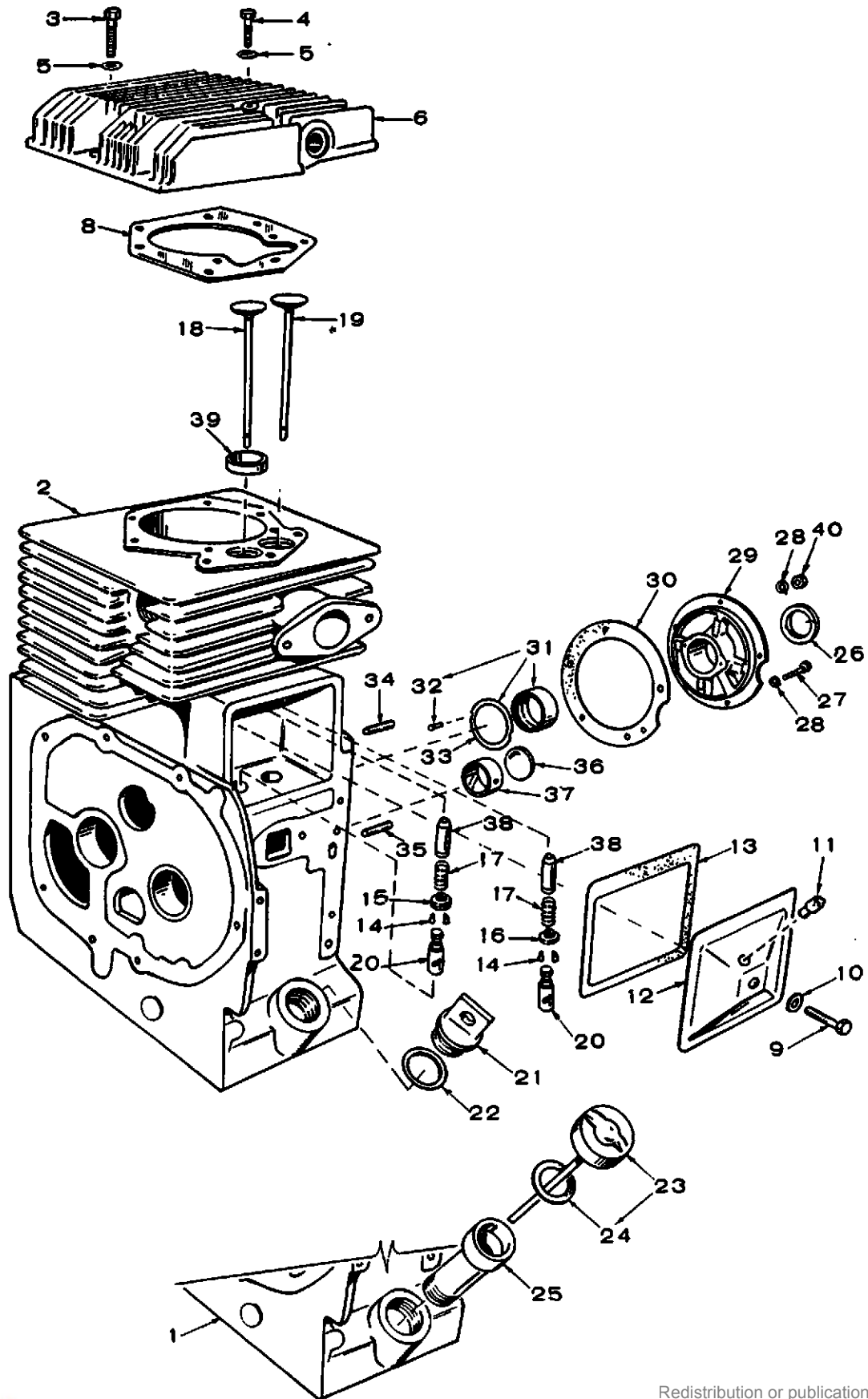


REF. NO.	PART NO.	QTY. USED	PART DESCRIPTION	REF. NO.	PART NO.	QTY. USED	PART DESCRIPTION
1	518-0006	1	Clip, Rod End	20	815-0046	2	†Screw, Machine - Pan Head, Cross-Recessed (#8-32 x 3/8") - Begin Spec M
2	150-0732	1	Rod, Throttle Link	21	150-1187	1	†Yoke, Governor Arm - Begin Spec M
3	870-0053	1	Nut, Hex - Zinc Plated (#10-32)	22	518-0129	1	*Ring, Retaining - Spec A thru L
4	JOINT, BALL			23	150-0620	1	*Yoke, Governor Arm - Spec A thru L
	150-0639	1	Begin Spec M	24	150-1523	1	†Arm & Shaft, Governor - Begin Spec M
	150-0974	1	Spec A thru L	25	150-0610	1	*Arm & Shaft, Governor - Spec A thru L
5	870-0131	2	Nut, Hex - With External Tooth Lockwasher (#10-32)	26	509-0008	1	††Seal, Oil - Governor Shaft
6	150-0096	1	Stud, Adjusting - Governor Spring	27	510-0013	1	††Bearing, Needle (Upper)
7	150-0098	1	Spring - Governor	28	510-0013	1	†Bearing, Needle (Lower) - Begin Spec M
8	812-0150	2	Screw, Machine - Round Head (1/4-20 x 5/8")	29	510-0008	1	*Bearing, Needle (Lower) - Spec A thru L
9	850-0040	2	Washer, Lock - Spring (1/4")	30	510-0014	1	††Ball Bearing
10	150-0611	1	Bracket, Governor	31	516-0130	1	††Pin, Roll - Governor Stop
11	800-0034	1	Screw, Cap - Hex Head (5/16-18 x 2-1/4")	32	103-0011	1	Gasket, Gearcase
12	800-0032	4	Screw, Cap - Hex Head (5/16-18 x 1-3/4")	33	516-0141	2	Pin, Dowel - Gearcase Alignment
13	850-0045	5	Washer, Lock - Spring (5/16")	34	160-0500	1	Bracket, Timing
14	103-0513	1	Gearcase Assembly - Begin Spec M (Includes Parts Marked †)				
15	103-0160	1	Gearcase Assembly - Spec A thru L (Includes Parts Marked *)				
16	509-0040	1	††Seal, Oil - Crankshaft				
17	150-0136	1	††Stud, Adjusting - Governor				
18	850-0030	1	††Washer, Lock - Spring (#10)				
19	870-0053	1	††Nut, Hex - Zinc Plated (#10-32)				

* - Included in 103-0160 Gearcase Assembly

† - Included in 103-0513 Gearcase Assembly

CYLINDER BLOCK

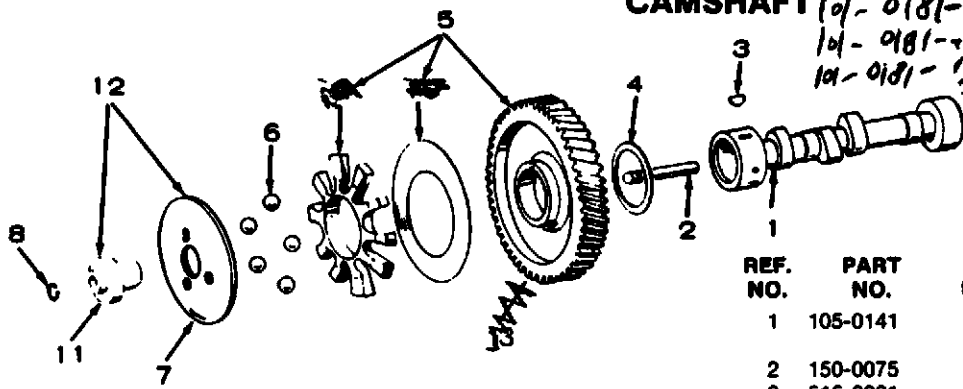


CYLINDER BLOCK

REF. NO.	PART NO.	QTY. USED	PART DESCRIPTION	REF. NO.	PART NO.	QTY. USED	PART DESCRIPTION
1	110-1622	1	Block Assembly, Cylinder - Spec A thru L (Includes Parts Marked *)	25	123-0517	1	Tube, Oil Fill (Spec A thru L)
2	110-2374	1	Block Assembly, Cylinder - Begin Spec M (Includes Parts Marked *)	26	509-0041	1	Seal, Oil - Rear Bearing
3	114-0022	5	Screw, Cap - Hex Head (Special)	27	800-0512	4	*Screw, Cap - Hex Head (Special)
4	110-0879	4	Screw, Cap - Hex Head (Special)	28	850-0045	5	*Washer, Lock - Spring (5/16")
5	526-0122	9	Washer, Flat (11/32" ID x 23/32" OD x 0.134" Thk)	29	101-0398	1	*Plate, Bearing - Rear (Excludes Bearing)
6	110-0891	1	Head, Cylinder	30	101-0115	1	Gasket Kit - Rear Bearing Plate
8	110-0892	1	Gasket, Cylinder Head	31	BEARING, SLEEVE - CRANKSHAFT <i>Begin Spec B</i>		
9	800-0014	1	Screw, Cap - Hex Head (1/4-20 x 2-3/4") *	101-0450	2	*Standard	
10	526-0063	1	Washer, Flat - Copper (11/64" ID x 7/16" OD x 1/32" Thk)	101-0450-02	2	.002" Undersize	
11	123-0486	1	Valve, Breather	101-0450-10	2	.010" Undersize	
12	110-1595	1	Cover, Valve Compartment	101-0450-20	2	.020" Undersize	
13	110-0867	1	Gasket, Valve Cover	101-0450-30	2	.030" Undersize	
14	110-0639	4	Lock, Valve Spring Retainer	32	516-0072	4	*Pin, Drive - Bearing Stop
15	110-0904	1	Rotator, Valve	33	104-0575	2	*Washer, Thrust
16	110-0893	1	Retainer, Valve Spring	34	520-0532	1	*Stud (5/16-18 x 5/16-24 x 1-3/16")
17	110-0539	2	Spring, Valve	35	520-0114	4	*Stud (5/16-18 x 5/16-24 x 1-5/16") - Spec A thru L
18	110-0881	1	Valve, Intake	36	517-0048	1	*Plug, Expansion
19	110-0880	1	Valve, Exhaust (Chrome Cobalt Alloy)	37	101-0367	2	*Bearing, Sleeve - Camshaft
20	TAPPET, VALVE			38	110-0902	2	*Guide, Valve
115-0006	2	Standard	39	INSERT, VALVE SEAT - EXHAUST (Chrome Cobalt Alloy)			
115-0006-05	2	.005" Oversize	110-0872	1	*Standard		
21	102-0753	1	Plug, Oil Fill (Begin Spec M)	110-0872-02	1	.002" Oversize	
22	102-0612	1	Gasket, Oil Fill Plug (Begin Spec M)	110-0872-05	1	.005" Oversize	
23	123-0519	1	Cap & Indicator, Oil Fill (Spec A thru L)	110-0872-10	1	.010" Oversize	
24	123-0191	1	Gasket, Oil Fill Cap (Spec A thru L)	110-0872-25	1	.025" Oversize	
				40	NUT, HEX (Special)		
				110-0445	1	*Begin Spec M	
				110-0445	5	*Spec A thru L	

* - Included in Cylinder Block Assembly.

31 BEARING, SLEEVE - CRANKSHAFT - Spec A
 101-0181 2 Standard
 101-0181-10 2 .010" Undersize
 101-0181-20 2 .020" Undersize
 101-0181-30 2 .030" Undersize



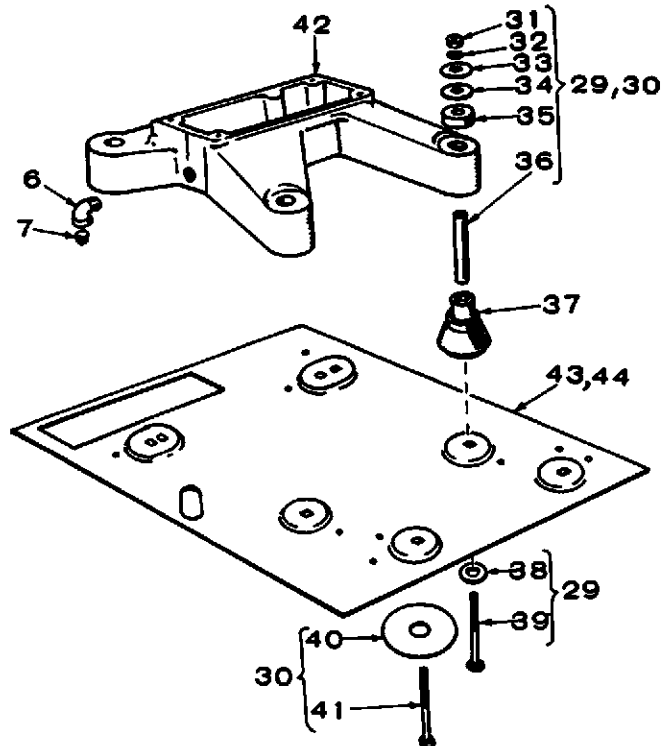
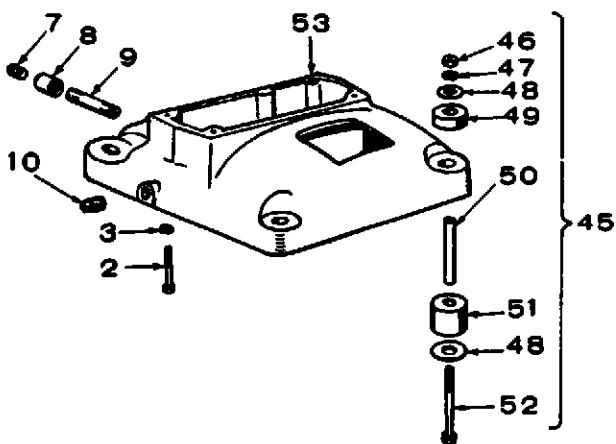
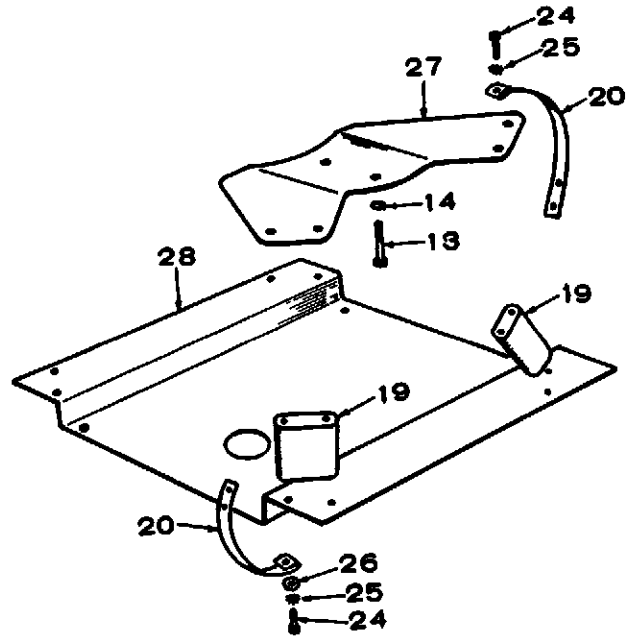
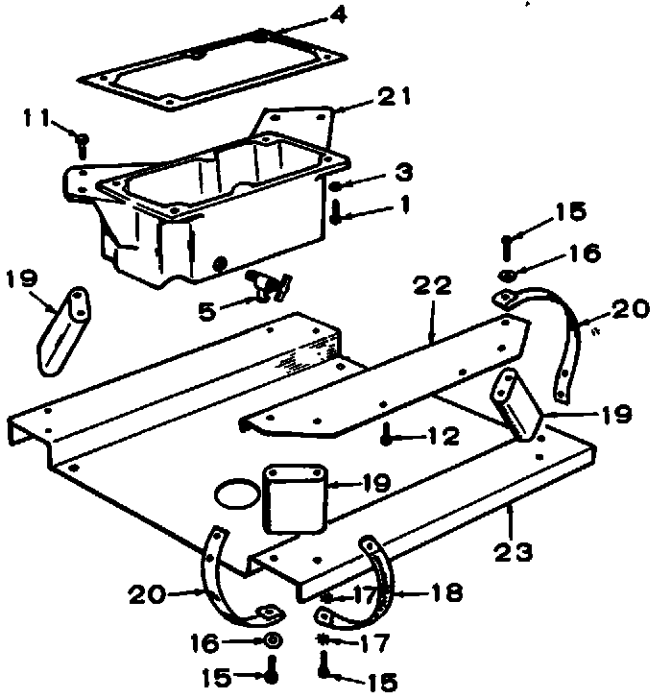
REF. NO.	PART NO.	QTY. USED	PART DESCRIPTION
1	105-0141	1	Camshaft (Includes Center Pin)
2	150-0075	1	Pin, Camshaft
3	515-0001	1	Key, Camshaft Gear
4	105-0541	1	Washer, Thrust
5	105-0332	1	Gear Assembly, Camshaft (Includes Parts Marked *)
6	510-0015	10	Ball, Fly - Governor
7	150-1520	1	**Cup, Governor
8	150-0078	1	Ring, Retaining
9	150-1257	1	Spacer, Flyball
10	150-0077	1	Plate, Flyball
11	150-1519	1	**Hub, Governor Cup
12	150-1695	1	Cup, Governor (Kit) (Includes Parts Marked **)

* - Parts Included in Camshaft Gear Assembly.
 ** - Parts Included in Governor Cup Kit.



Redistribution or publication by any means, is strictly prohibited.

OIL BASE AND MOUNTING PLATE



OIL BASE AND MOUNTING PLATE

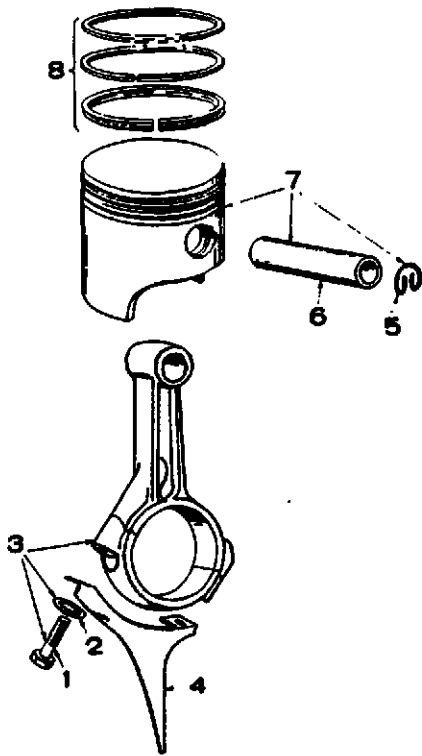
REF. NO.	PART NO.	QTY. USED	PART DESCRIPTION	REF. NO.	PART NO.	QTY. USED	PART DESCRIPTION
1	800-0051	4	Screw, Cap - Hex Head (3/8-16 x 1-1/4") - Begin Spec L - Oil Base to Cylinder Block	28	403-0979	1	Plate, Mounting - Spec J thru L
2	800-0056	4	Screw, Cap - Hex Head (3/8-16 x 2-1/2") - Spec A thru K - Oil Base to Cylinder Block	29	402-0373	1	Hardware Set - Used with Mounting Plate (Includes Parts Marked *) - Spec F thru L
3	850-0050	4	Washer, Lock - Spring (3/8")	30	402-0364	1	Hardware Set, Used when no Mounting Plate (Includes Parts Marked †) - Spec F thru L
4	102-0107	1	Gasket, Oil Base	31	862-0004	4	*†Nut, Hex (7/16-14) - Spec F thru L
5	504-0092	1	Valve, Oil Drain - Begin Spec J (Also useable on Spec F thru H)	32	850-0055	4	*†Washer, Lock - Spring (7/16") - Spec F thru L
6	505-0120	1	Elbow, Street (3/8" NPT) - Spec F thru L	33	526-0014	4	*†Washer, Flat (29/64" ID x 1-1/2" OD x 1/8" Thk) - Spec F thru L
7	505-0110	1	Plug, Pipe (3/8" NPT) - Spec A thru L	34	526-0198	8	*†Washer, Flat (5/8" ID x 1-1/2" OD x 1/16" Thk) - Spec F thru L
8	505-0028	1	Coupling, Pipe (3/8" NPT) - Spec A thru E	35	402-0282	4	*†Snubber - Mount - Spec F thru L
9	505-0076	1	Nipple, Pipe (3/8" NPT x 3") - Spec A thru E	36	402-0290	4	*†Bushing, Sleeve - Spec F thru L
10	505-0110	1	Plug, Pipe (3/8" NPT) - Spec A thru E	37	402-0283	4	*Cushion, Vibration Mount - Spec F thru L
11	800-0010	2	Screw, Cap - Hex Head (1/4-20 x 1-3/4") - Begin Spec J	38	526-0198	8	*Washer, Flat (5/8" ID x 1-1/2" OD x 1/16" Thk) - Spec F thru L
12	821-0029	2	Screw, Self-Locking - Hex Washer Head (3/8-16 x 3/4") - Begin Spec M (Generator to Mounting Plate)	39	816-0206	4	*Bolt, Carriage (7/16-14 x 3-1/2") - Spec F thru L
13	800-0033	2	Screw, Cap - Hex Head (5/16-18 x 2") - Spec J thru L (Generator to Mounting Plate)	40	526-0195	4	†Washer, Flat (29/64" ID x 3-1/4" OD x 1/8" Thk) - Spec F thru L
14	850-0045	2	Washer, Lock - Spring (5/16") - Spec J thru L	41	800-0082	4	†Screw, Cap - Hex Head (7/16-14 x 3-3/4") - Spec F thru L
15	821-0010	12	Screw, Self-Locking - Hex Washer Head (1/4-20 x 1/2") - Begin Spec M	42	102-0625	1	Base, Oil - Spec F thru L
16	526-0018	10	Washer, Flat (17/64" ID x 5/8" OD x 1/16" Thk) - Begin Spec M	43	403-0933	1	Plate, Mounting - Dual Application - Spec F thru L - Optional
17	853-0013	2	Washer, Lock - External Tooth (1/4") - Begin Spec M (Used with Ground Strap)	44	403-0932	1	Plate, Mounting - Custom - Spec F thru L - Optional
18	337-0112	1	Strap, Ground - Begin Spec M	45	402-0149	4	Hardware Set - Spec A thru E (Includes 1 ea. of Parts Marked £)
19	402-0385	4	Mount, Vibration - Focalized - Begin Spec M - Optional Spec J thru L	46	862-0015	4	£Nut, Hex (5/16-18) - Spec A thru E
20	402-0387	4	Strap, Restraining - Begin Spec J	47	850-0046	4	£Washer, Lock - Spring, Heavy (5/16") - Spec A thru E
21	102-0690	1	Base, Oil - Begin Spec M - Optional Spec J thru L	48	526-0076	8	£Washer, Flat (11/32" ID x 1-1/2" OD x 1/16" Thk) - Spec A thru E
22	403-1102	1	Bracket, Mounting - Generator - Begin Spec M	49	402-0147	4	£Bushing, Rubber - Upper - Spec A thru E
23	403-1101	1	Plate, Mounting - Begin Spec M	50	402-0148	4	£Bushing, Sleeve - Spec A thru E
24	800-0003	12	Screw, Cap - Hex Head (1/4-20 x 1/2") - Spec J thru L	51	402-0146	4	£Bushing, Rubber - Lower - Spec A thru E
25	853-0013	12	Washer, Lock - External Tooth (1/4") - Spec J thru L	52	816-0114	4	£Bolt, Carriage (5/16-18 x 4-1/2") - Spec A thru E
26	526-0158	4	Washer, Flat (0.261" ID x 1" OD x 1/8" Thk) - Spec J thru L (Use on lower strap ends only)	53	102-0100	1	Base, Oil - Spec A thru E
27	232-2285	1	Bracket, Mounting - Generator - Spec J thru L				

* - Included in 402-0373 Hardware Mounting Set.

† - Included in 402-0364 Hardware Mounting Set.

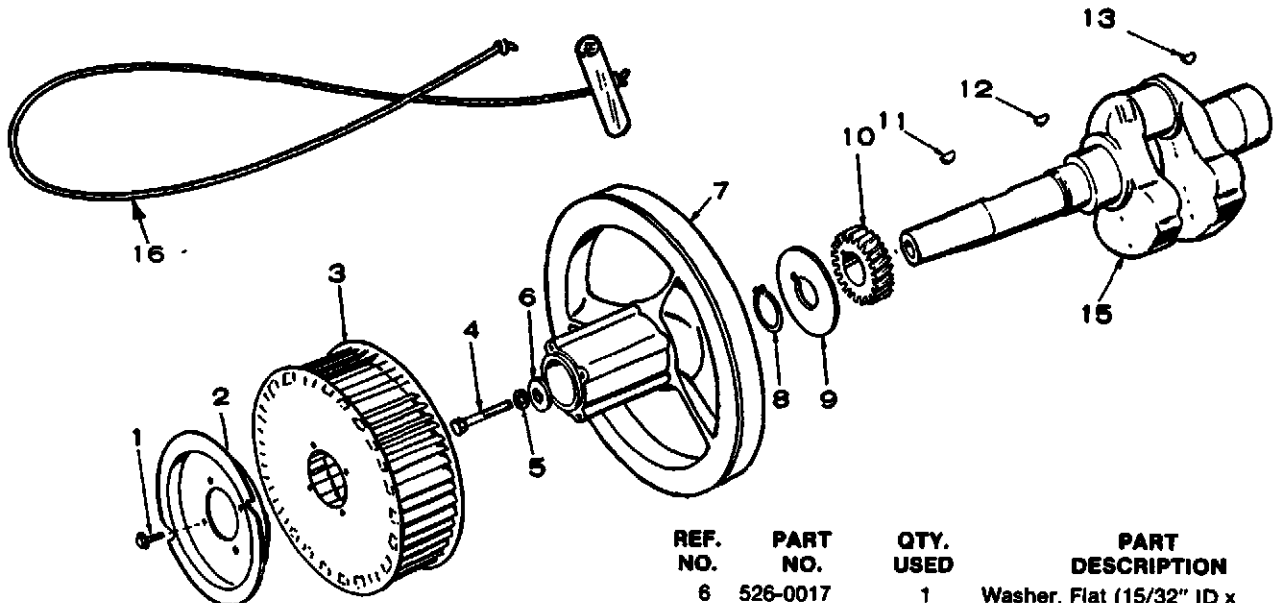
£ - Included in 402-0149 Hardware Mounting Set.

PISTON AND ROD



REF. NO.	PART NO.	QTY. USED	PART DESCRIPTION
1	800-0540	2	Screw, Cap - Hex Head (Special)
2	854-0017	2	Washer, Lock - Internal Tooth (5/16")
3	ROD, CONNECTING (Includes Screw and Lockwashers)		
	114-0254	1	Standard
	114-0254-10	1	.010" Oversize
	114-0254-20	1	.020" Oversize
	114-0254-30	1	.030" Oversize
4	114-0108	1	Dipper, Oil
5	112-0003	2	Ring, Retaining
6	112-0069	1	Pin, Piston
7	PISTON AND PIN (Includes Retaining Rings)		
	112-0136	1	Standard
	112-0136-05	1	.005" Oversize
	112-0136-10	1	.010" Oversize
	112-0136-20	1	.020" Oversize
	112-0136-30	1	.030" Oversize
	112-0136-40	1	.040" Oversize
8	RING SET, PISTON		
	113-0087	1	Standard
	113-0087-05	1	.005" Oversize
	113-0087-10	1	.010" Oversize
	113-0087-20	1	.020" Oversize
	113-0087-30	1	.030" Oversize
	113-0087-40	1	.040" Oversize

CRANKSHAFT AND FLYWHEEL

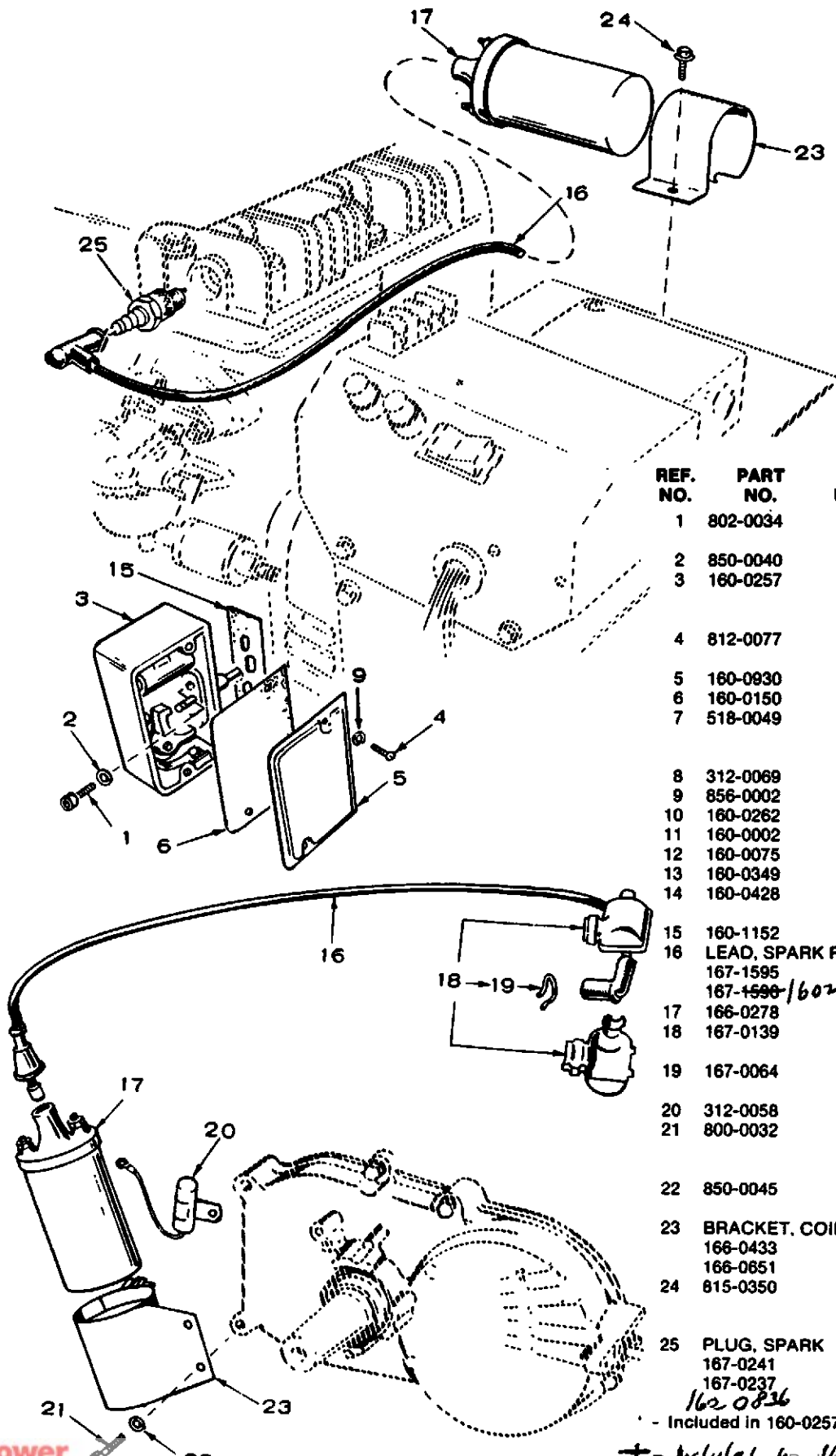


REF. NO.	PART NO.	QTY. USED	PART DESCRIPTION
1	821-0010	4	Screw, Self-Locking - Hex Washer Head (1/4-20 x 1/2")
2	192-0272	1	Plate, Rope Sheave (Spec A thru L Only)
3	134-0565	1	Wheel, Blower
4	104-0170	1	Screw, Cap - Hex Head (Special)
5	850-0055	1	Washer, Lock - Spring (7/16")

REF. NO.	PART NO.	QTY. USED	PART DESCRIPTION
6	526-0017	1	Washer, Flat (15/32" ID x 1-1/4" OD x 1/4" Thk)
7	104-0615	1	Flywheel
8	518-0014	1	Ring, Retaining
9	104-0043	1	Washer, Gear Retainer
10	104-0032	1	Gear, Crankshaft
11	515-0227	1	Key Kit, Woodruff
12	515-0001	1	Key, Woodruff
13	595-0006	1	Key, Woodruff

ER 4500 - 15 104-0000 1 1 1
 16 192-0023 1 1
 17 515-0048 1 1

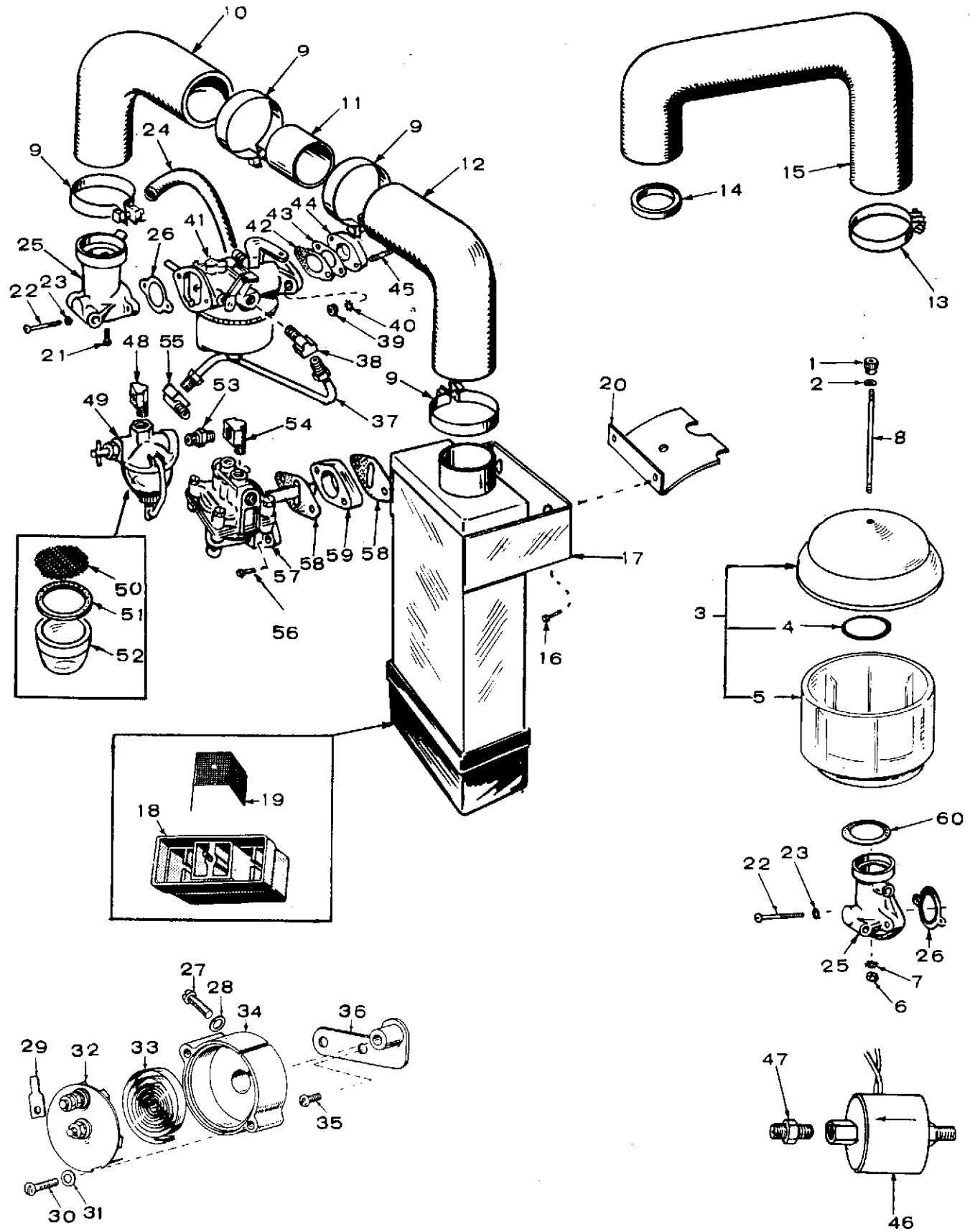
IGNITION



REF. NO.	PART NO.	QTY. USED	PART DESCRIPTION
1	802-0034	2	*Screw, Machine - Socket Head (1/4-20 x 3/4")
2	850-0040	2	*Washer, Lock - Spring (1/4"
3	160-0257	1	Box, Assembly, Breaker (Includes Mounting Gask (Includes Parts Marked "
4	812-0077	2	*Screw, Machine - Round He (#8-32 x 3/8")
5	160-0930	1	*Cover, Breaker Box
6	160-0150	1	*Gasket, Breaker Box Cover
7	518-0049	3	*Screw, Machine - Round He with External Tooth Lock washer (#8-32 x 1/4")
8	312-0069	1	+ *Capacitor, Ignition
9	856-0002	2	Washer, Lock (EIT #8)
10	160-0262	1	*Guide and Plunger
11	160-0002	1	+ *Point Set, Breaker
12	160-0075	1	*Cam, Point Adjusting
13	160-0349	1	*Terminal Assembly
14	160-0428	1	*Lead, Electrical - Flat (Point Set to Terminal Block)
15	160-1152	1	Gasket, Breaker Box Mount
16	LEAD, SPARK PLUG		
	167-1595	1	Spec A thru L
	167-1598/1602	1	Begin Spec M - Resistor Ty
17	166-0278	1	Coil, Ignition
18	167-0139	1	Shield Set, Spark Plug - Spec A thru L
19	167-0064	1	Clamp, Shield (Part of Shield Set) - Spec A thru L
20	312-0058	1	Capacitor - 0.1 Mfd
21	800-0032	2	Screw, Cap - Hex Head (5/16-18 x 1-3/4") - Spec A thru L
22	850-0045	2	Washer, Lock - Spring (5/16 - Spec A thru L
23	BRACKET, COIL MOUNTING		
	166-0433	1	Spec A thru L
	166-0651	1	Begin Spec M
24	815-0350	1	Screw, Tapping - Hex Wash Head (#10-32 x 3/8") - Be; Spec M
25	PLUG, SPARK		
	167-0241	1	Non-resistor Type
	167-0237	1	Resistor Type

162 0836
 - Included in 160-0257 Breaker Box Assembly.
 + - Included in 160-0836 Ignition Tune up kit
 162 0836 Ignition Tune up kit
 930-0220 (FEBRUARY)

FUEL SYSTEM — SPEC A THROUGH L

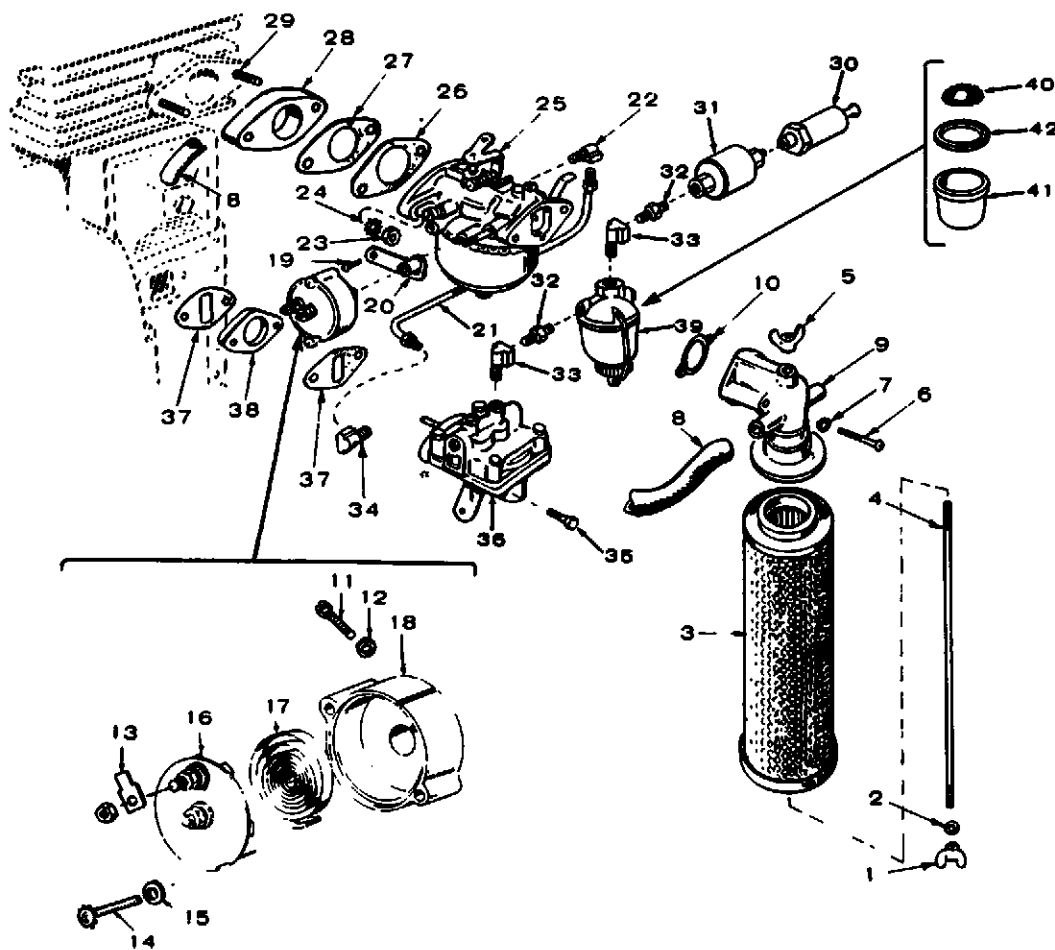


FUEL SYSTEM — SPEC A THROUGH L

REF. NO.	PART NO.	QTY. USED	PART DESCRIPTION	REF. NO.	PART NO.	QTY. USED	PART DESCRIPTION
1	140-0587	1	Nut, Knurled - Spec A thru F (Special)	25	140-0493	1	Adapter, Air Cleaner
2	850-0030	1	Washer, Lock - Spring (#10) - Spec A thru F	26	145-0111	1	Gasket - Adapter to Carburetor
3	140-0441	1	Cleaner, Air - Oil Bath - Spec A thru F	27	815-0110	1	Screw, Machine - Fillister Head (#10-32 x 7/8")
4	509-0135	1	Seal, "O" Ring (Part of Air Cleaner) - Spec A thru F	28	850-0030	1	Washer, Lock - Spring (#10)
5	140-0469	1	Cup, Oil Bath (Part of Air Cleaner) - Spec A thru F	29	332-0527	1	Terminal, Quick Disconnect
6	870-0053	1	Nut, Hex (#10-32) - Spec A thru F	30	815-0285	2	Screw, Machine - Round Head with Ext. Tooth Lockwasher (#8-32 x 5/16")
7	854-0010	1	Washer, Lock - Ext/Int Tooth (#10) - Spec A thru F	31	526-0062	2	Washer, Flat - Brass (13/64" ID 1/2" OD x 1/16" Thk)
8	520-0538	1	Stud (#10-32 x #10-32 x 6-15/16") - Spec A thru F	32	153-0113	1	Cover Choke Element ← C
9	503-0280	4	Clamp, Hose - Spec G thru Serial #0772474674 During Spec J	33	153-0017	1	Di-Metal ← Choke ← C
10	503-0480	1	Hose, Air Cleaner - Spec G thru Serial #0772474674 During Spec J	34	153-0058	1	Housing, Choke
11	140-0211	1	Tube, Air Cleaner Hose - Spec G thru Serial #0772474674 During Spec J	35	815-0190	2	Screw, Tapping - Round Head (#8-32 x 3/8")
12	503-0480	1	Hose, Air Cleaner - Spec G thru Serial #0772474674 During Spec J	36	153-0420	1	Adapter, Choke
13	503-0004	2	Clamp, Hose - Begin During Spec J at Serial #0772474675 thru Spec L	37	149-1112	1	Line, Fuel - Pump to Carburetor
14	503-0660	1	Seal, Air Hose - Begin During Spec J at Serial #0772474675 thru Spec L	38	502-0002	1	Elbow, Pipe - 90° - Carburetor Inlet
15	503-0657	1	Hose, Air Cleaner - Begin During Spec J at Serial #0772474675 thru Spec L	39	868-0001	2	Nut, Hex (1/4-28)
16	821-0010	2	Screw, Self-Locking - Hex Head (1/4-20 x 1/2") - Spec G thru L	40	853-0013	2	Washer, Lock - Ext. Tooth (1/4)
17	140-1030	1	Air Cleaner - Spec G thru L	41	146-84070305	1	*Carburetor, Gasoline (Includes Mounting Gasket)
18	140-0403	1	Cup Assy., Air Cleaner (Includes Screen) - Spec G thru L	42	141-0078	1	Gasket, Carburetor Mounting
19	140-0068	1	Screen, Air Cleaner Cap - Spec G thru L	43	145-0469	1	Plate, Carburetor Mounting
20	140-1060	1	Bracket, Air Cleaner Mtg. - Spec G thru L	44	145-0110	1	Spacer, Carburetor Mounting
21	809-0054	1	Screw, Tapping - Round Head (#12 x 3/8") - Spec G thru L	45	520-0632	2	Stud (1/4-20 x 1/4-20 x 6")
22	812-0086	2	Screw, Machine - Round Head (#8-32 x 1-1/4")	46	307-1279	1	Solenoid, Fuel Cutoff - Spec J thru L (Also useable on Spec A thru H)
23	850-0025	2	Washer, Lock - Spring (#8)	47	502-0082	1	Nipple, Pipe - Hex - Spec J thru L
24	503-0736	1	Hose, Rubber - Breather	48	502-0020	1	Elbow, Pipe - 90°
				49	149-0079	1	Filter, Fuel (Includes Parts Marked **)
				50	149-0202	1	**Screen, Fuel Filter
				51	149-0149	1	**Gasket, Fuel Filter
				52	149-0150	1	**Bowl, Fuel Filter
				53	502-0082	1	Nipple, Pipe - Hex
				54	502-0020	1	Elbow, Pipe - 90° - Inlet
				55	502-0002	1	Elbow, Pipe - 90° - Outlet
				56	806-0009	1	Screw, Cap - Counterbore Hex Head (1/4-20 x 1-1/4")
				57	149-0693	1	*Pump, Fuel (Includes Mounting Gasket)
				58	149-0003	2	Gasket, Fuel Pump Mounting
				59	149-0045	1	Spacer, Fuel Pump Mounting
				60	140-0443	1	Gasket, Air Cleaner - Spec A thru F

* - See Separate Group for Components.
 ** - Included in 149-0079 Fuel Filter.

FUEL SYSTEM — BEGIN SPEC M

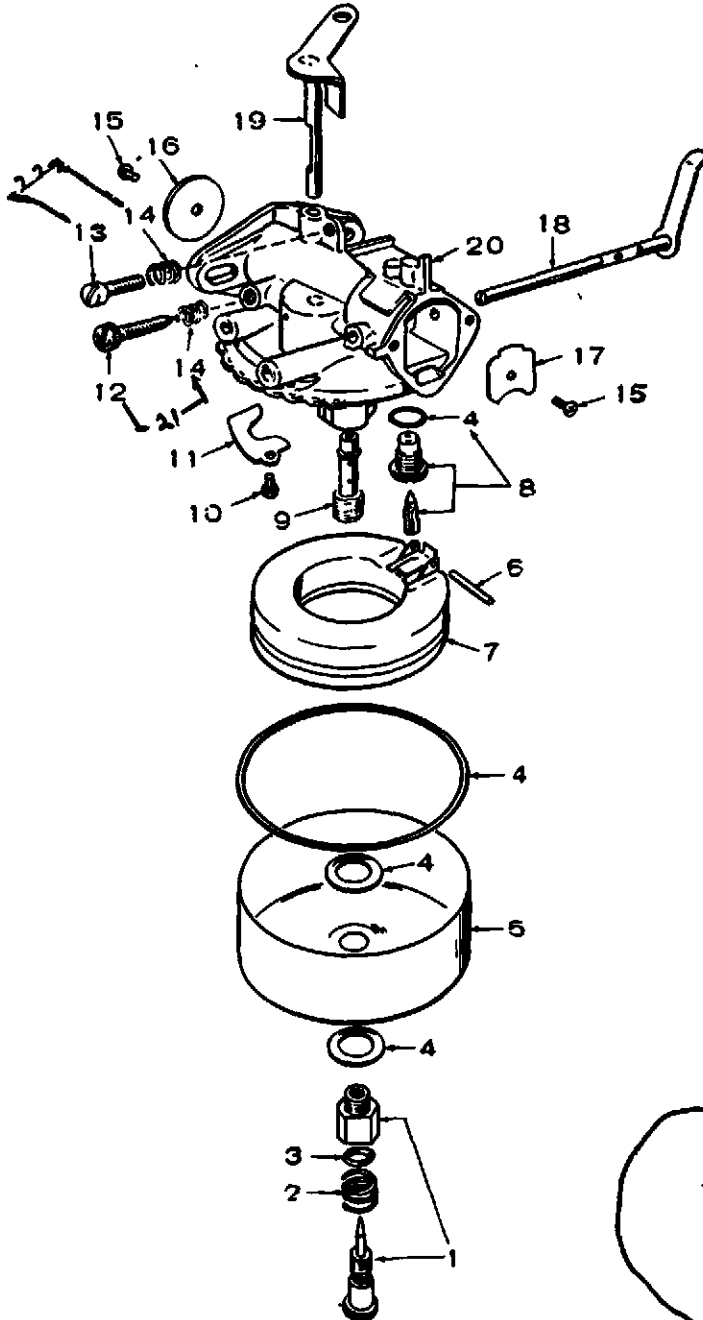


REF. NO.	PART NO.	QTY. USED	PART DESCRIPTION	REF. NO.	PART NO.	QTY. USED	PART DESCRIPTION
1	865-0022	1	Nut, Wing (#10-32)	23	868-0001	2	Nut, Hex (1/4-28)
2	526-0012	1	Washer, Flat (7/32" ID x 3/4" OD x 1/32" Thk)	24	853-0013	2	Washer, Lock - Ext. Tooth (1/4)
3	140-1220	1	Element, Air Cleaner	25	146-0197	1	*Carburetor, Gasoline (Includes Mounting Gasket)
4	520-0853	1	Stud (#10-32 x 9-15/16")	26	141-0078	1	Gasket, Carburetor Mounting
5	865-0022	1	Nut, Wing (#10-32)	27	145-0469	1	Plate, Carburetor Mounting
6	812-0086	2	Screw, Machine - Round Head (#8-32 x 1-1/4")	28	145-0110	1	Spacer, Carburetor Mounting
7	850-0025	2	Washer, Lock - Spring (#8)	29	520-0632	2	Stud (1/4-20 x 1/4-20 x 6")
8	503-0804	1	Hose, Rubber - Breather	30	149-1353	1	Filter, Fuel - In Line
9	140-1365	1	Adapter, Air Cleaner	31	SOLENOID, FUEL CUTOFF 307-1279	1	Electric - Through S/N 518697
10	145-0111	1	Gasket - Adapter to Carburetor		149-1694	1	Manual - Begin S/N 518698
11	815-0110	1	Screw, Machine - Fillister Head (#10-32 x 7/8")	32	502-0082	2	Nipple, Pipe - Hex
12	850-0030	1	Washer, Lock - Spring (#10)	33	502-0020	2	Elbow, Pipe - 90° - Inlet
13	332-0527	1	Terminal, Quick Disconnect	34	502-0002	1	Elbow, Pipe - 90° - Outlet
14	815-0285	2	Screw, Machine - Round Head with External Tooth Lockwasher (#8-32 x 5/16")	35	806-0009	2	Screw, Cap - Counterbore Hex Head (1/4-20 x 1-1/4")
15	526-0062	2	Washer, Flat - Brass (13/64" ID x 1/2" OD x 1/16" Thk)	36	149-0693	1	*Pump, Fuel (Includes Mounting Gasket)
16	153-0113	1	Cover, Choke	37	149-0003	2	Gasket, Fuel Pump Mounting
17	153-0017	1	Element, Thermo - Choke	38	149-0045	1	Spacer, Fuel Pump Mounting
18	153-0058	1	Housing, Choke	39	149-0079	1	Filter, Fuel (Includes Parts Marked **)
19	815-0190	2	Screw, Tapping - Round Head (#8-32 x 3/8")	40	149-0202	1	**Screen, Fuel Filter
20	153-0420	1	Adapter, Choke	41	149-0150	1	**Bowl, Fuel Filter
21	149-1112	1	Line, Fuel - Pump to Carburetor	42	149-0149	1	**Gasket, Fuel Filter Bowl
22	502-0002	1	Elbow, Pipe - 90° - Carburetor Inlet				

* - See Separate Group for Components.
 ** - Included in 149-0079 Fuel Filter

930-0220 (FEBRUARY 1981)

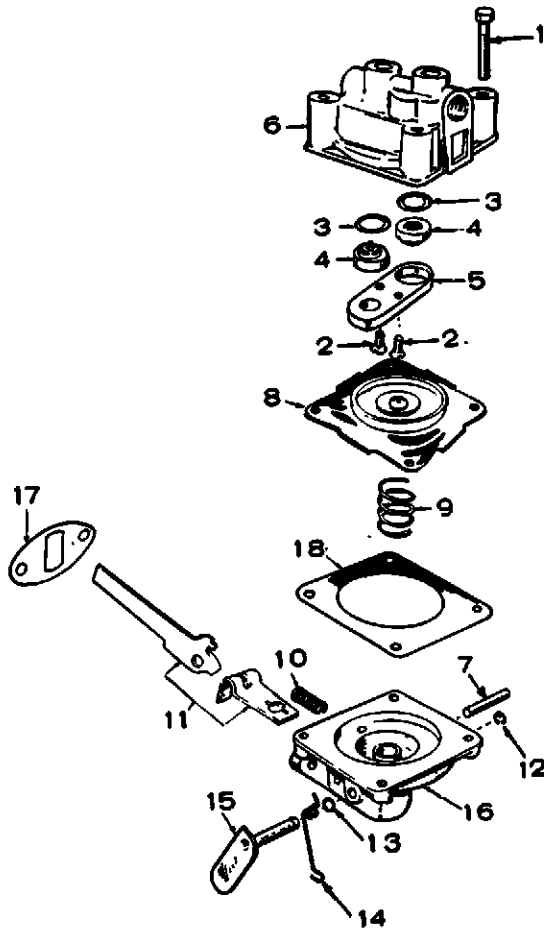
CARBURETOR PARTS



146-0305 KIT, Case include in package!

REF. NO.	PART NO.	QTY. USED	DESCRIPTION
	146-0100	1	Carburetor, Gasoline (Internal Vented) <i>Spd-Tx 305K</i>
1	146-0102	1	*Needle Assembly, High Speed
2	146-0117	1	Spring - High Speed Needle
3	146-0120	1	Seal, "O" Ring - High Speed Needle
4	146-0124	1	*Gasket Kit, Carburetor
5	146-0118	1	Bowl, Fuel
6	146-0111	1	Shaft, Pivot - Float
7	146-0110	1	Float
8	146-0145	1	*Package, Float Valve, Seat & Gasket
9	146-0113	1	Nozzle
10	146-0142	1	Screw, Machine - Baffle Plate
11	146-0143	1	Plate, Baffle - Splash
12	146-0116	1	+ *Needle, Idle
13	146-0122	1	• Screw, Machine - Throttle Stop
14	146-0186	2	+ Spring, Throttle Stop & Idle Needle
15	146-0109	2	Screw with Lockwasher
16	146-0119	1	Valve Plate, Throttle
17	146-0104	1	Valve Plate, Choke
18	146-0107	1	Shaft Assembly, Choke
19	146-0112	1	Shaft Assembly, Throttle
20	146-0149	1	Body, Carburetor (Not Sold Separately)
	146-0149	1	Repair Kit, Carburetor (Includes Parts Marked *)
	21 146-0209	1	Needle, Idle - <i>package parts marked.</i>
			- Included in #146-0149 Repair Kit.
			+ - Included in 146-0209 IDLE Needle
			• - Included in 146-0261 Throttle stop part
	22 146-0261	1	stop, throttle - <i>parts</i>

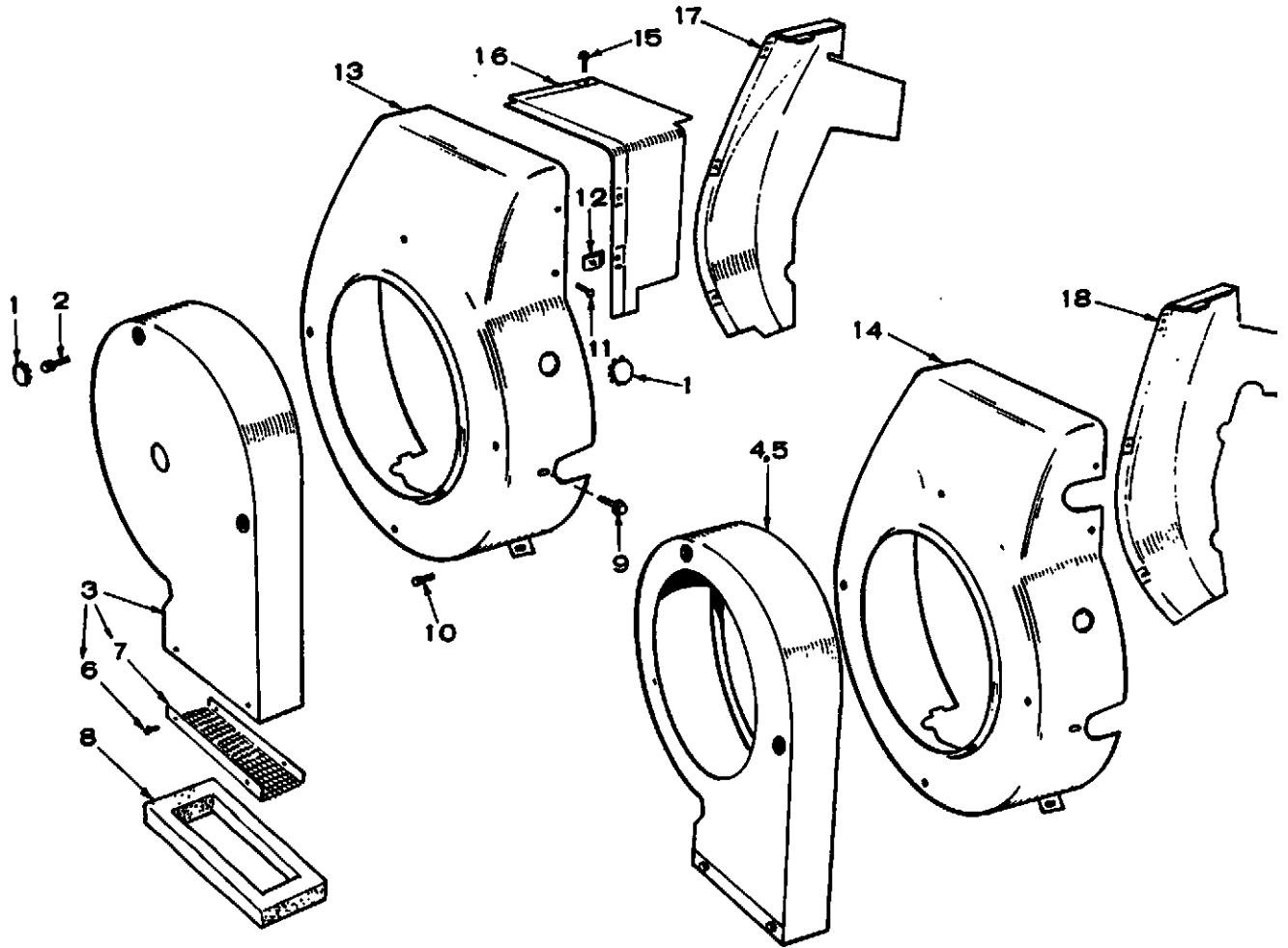
FUEL PUMP PARTS



REF. NO.	PART NO.	QTY. USED	PART DESCRIPTION
	149-0693	1	Pump, Fuel (Illustrated in Fuel System Groups)
1	815-0148	4	Screw, Machine - Slotted Hex Head, Hardened, Zinc Plated (#8-32 x 7/8")
2	815-0147	2	Screw, Tapping - Oval Head, Cross-Recessed (#6-32 x 5/8")
3	149-0095	2	*Gasket, Check Valve
4	149-0096	2	*Valve, Check
5	149-0539	1	Retainer, Valve
6		1	Body, Pump - Upper (Not Sold Separately)
7	516-0113	1	Pin, Dowel - Rocker Arm
8	149-0582	1	*Diaphragm Assembly
9	149-0672	1	Spring - Diaphragm
10	149-0675	1	*Spring - Rocker Arm
11	149-0710	1	Arm and Link Set, Rocker (Sold only as set)
12	518-0129	1	Ring, Retaining - Priming Lever
13	509-0065	1	Seal, "O" Ring - Priming Lever Shaft
14	149-0404	1	Spring, Priming Lever
15	149-0551	1	Lever, Priming - Hand
16		1	Body, Pump - Lower (Not Sold Separately)
17	149-0003	1	*Gasket - Fuel Pump Mounting
18	149-0858	1	*†Gasket, Diaphragm - Opt.
	149-0526	1	Kit, Repair - Fuel Pump (Includes Parts Marked *)

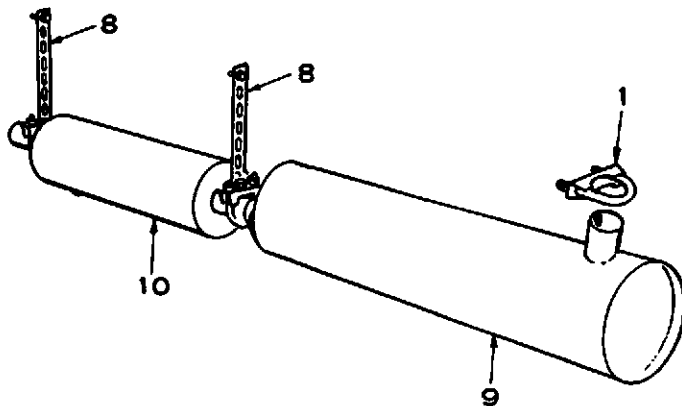
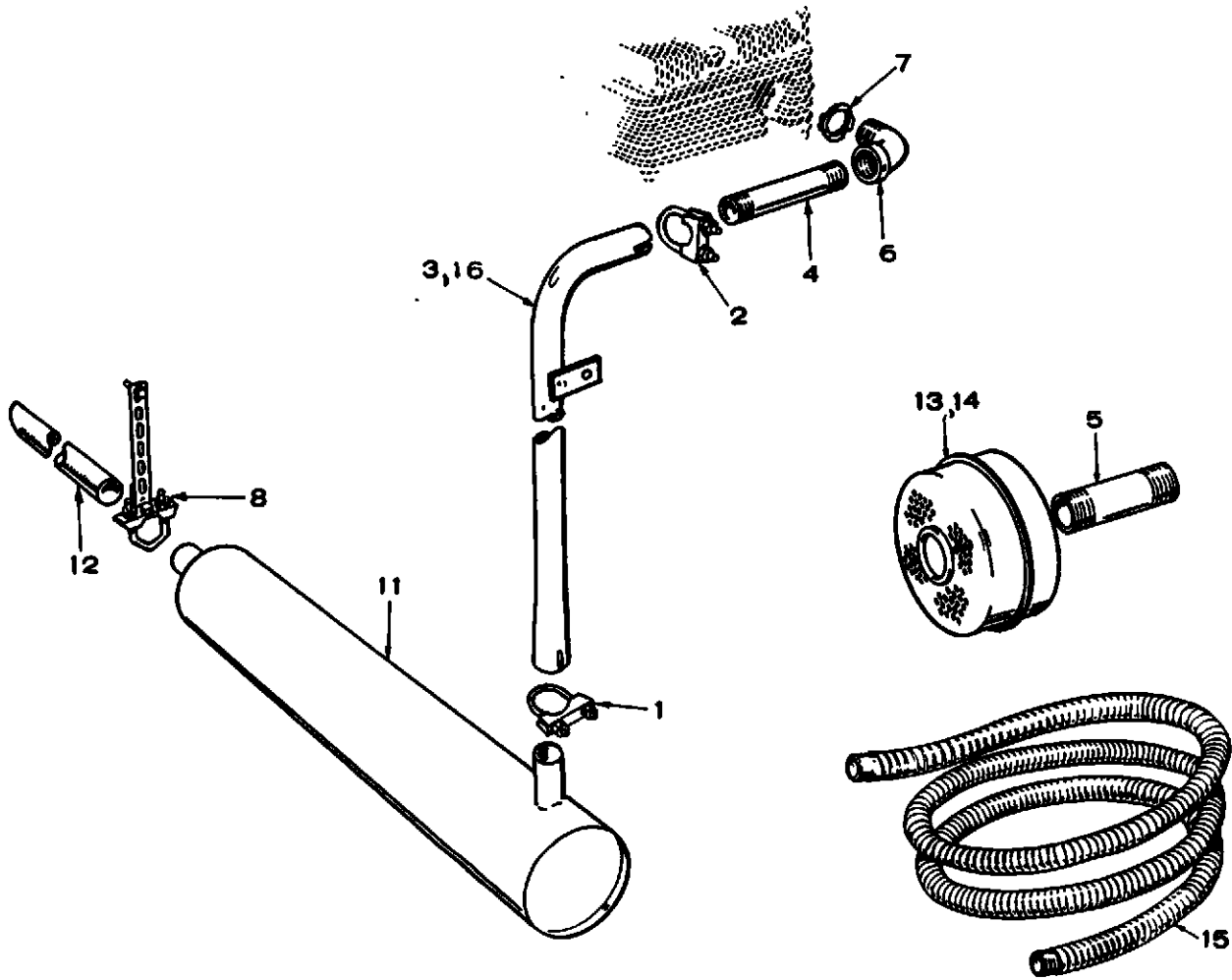
† - Used between Diaphragm and Lower body to prevent air leaks.
 * - Included in 149-0526 Repair Kit.

AIR HOUSING



REF. NO.	PART NO.	QTY. USED	PART DESCRIPTION	REF. NO.	PART NO.	QTY. USED	PART DESCRIPTION
1	517-0021	3	Plug, Button	12	870-0107	6	Nut, Sheet Metal, Spring (1/4")
2	821-0008	4	Screw, Self-Locking - Hex Washer Head (1/4-20 x 5/16")	13	HOUSING, BLOWER - LEFT SIDE EXHAUST CUTOUT	1	Begin Spec J (Sets with Focalized Mounts)
3	134-3198	1	Scroll, Air (Includes Guard Screen) - Begin Spec M	134-2418	1	Spec A thru L (Sets with Cone Shape Mounts)	
4	134-3040	1	Scroll, Air (Includes Guard Screen) - Spec J thru L	134-2316	1	Begin Spec J (Sets with Focalized Mounts)	
5	134-3041	1	Scroll, Air (Includes Guard Screen) - Spec A thru H	134-2379	1	Spec A thru L (Sets with Cone Shape Mounts)	
6	815-0421	4	Screw, Tapping - Hex Head With External Tooth Lockwasher (#10-16 x 1/2")	134-0618	1	Begin Spec J (Sets with Focalized Mounts)	
7	134-2956	1	Guard, Scroll Outlet	134-0261	2	Spec A thru L (Sets with Cone Shape Mounts)	
8	134-2112	1	Seal, Air	15	815-0261	2	Screw, Tapping - Hex Washer Head (1/4-20 x 7/16")
9	815-0261	1	Screw, Tapping - Hex Washer Head (1/4-20 x 7/16")	16	134-0586	1	Cover, Cylinder Head
10	821-0010	2	Screw, Self-Locking - Hex Washer Head (1/4-20 x 1/2")	17	134-2380	1	Housing, Air - Cylinder (Sets with Focalized Mounts) - Begin Spec J
11	809-0059	6	Screw, Tapping - Round Head (1/4 x 1/2")	18	134-0584	1	Housing, Air - Cylinder (Sets with Cone Shape Mounts) - Spec A thru L

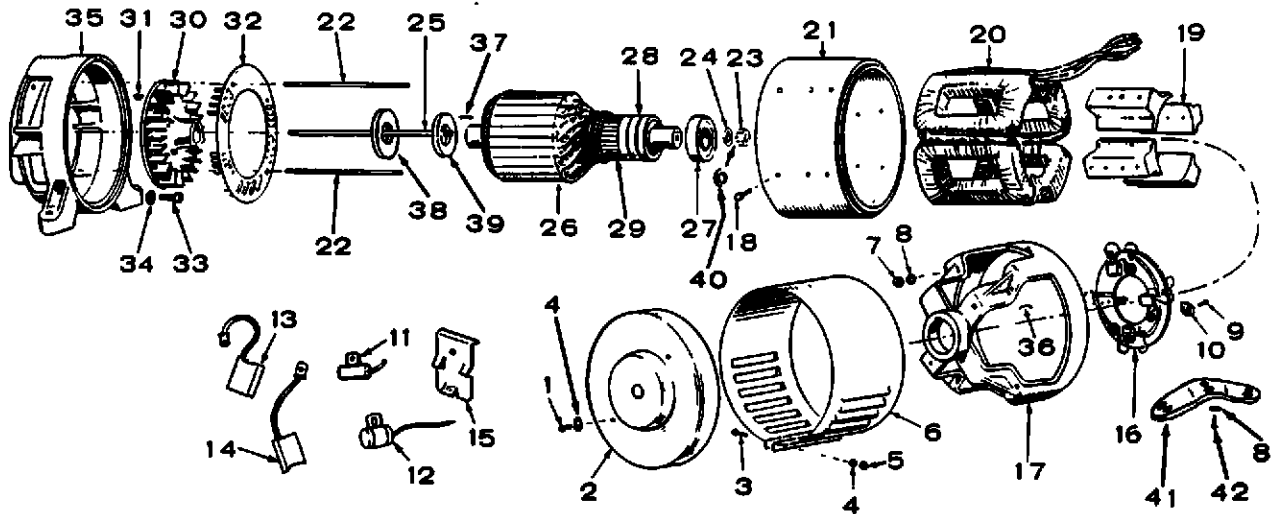
EXHAUST SYSTEM



REF. NO.	PART NO.	QTY. USED	PART DESCRIPTION
1	155-1239	1	Clamp, Muffler (1-5/8" pipe)
2	155-1257	1	Clamp, Muffler (1-3/8" pipe)
3	155-1261	1	Tube, Exhaust - Spec A thru L
4	505-0087	1	Nipple, Pipe (1" x 3") - L.H. Down System
5	505-0089	1	Nipple, Pipe (1" x 5") - R.H. Down System
6	505-0003	1	Elbow, Pipe - Street, 90°
7	331-0053	1	Locknut, Chase
8	155-1234	1	Hanger/Clamp - Pipe (1-1/2")
9	155-1222	1	Muffler, Exhaust - Begin Spec H
10	155-1254	1	Spark Arrester - Optional
11	155-1258	1	Muffler/Spark Arrester - Optional
12	155-1235	1	Tube, Exhaust - Rear (1-1/2" Tube)
13	155-0484	1	£Muffler, Exhaust - Spec A thru E
14	155-0076	1	£Muffler, Exhaust - Spec F thru G
15	155-0491	1	£Tube, Exhaust - Flexible - Spec A thru G
16	155-1468	1	Tube, Exhaust - Begin Spec M

£ - Recommend replacement with current exhaust system parts.

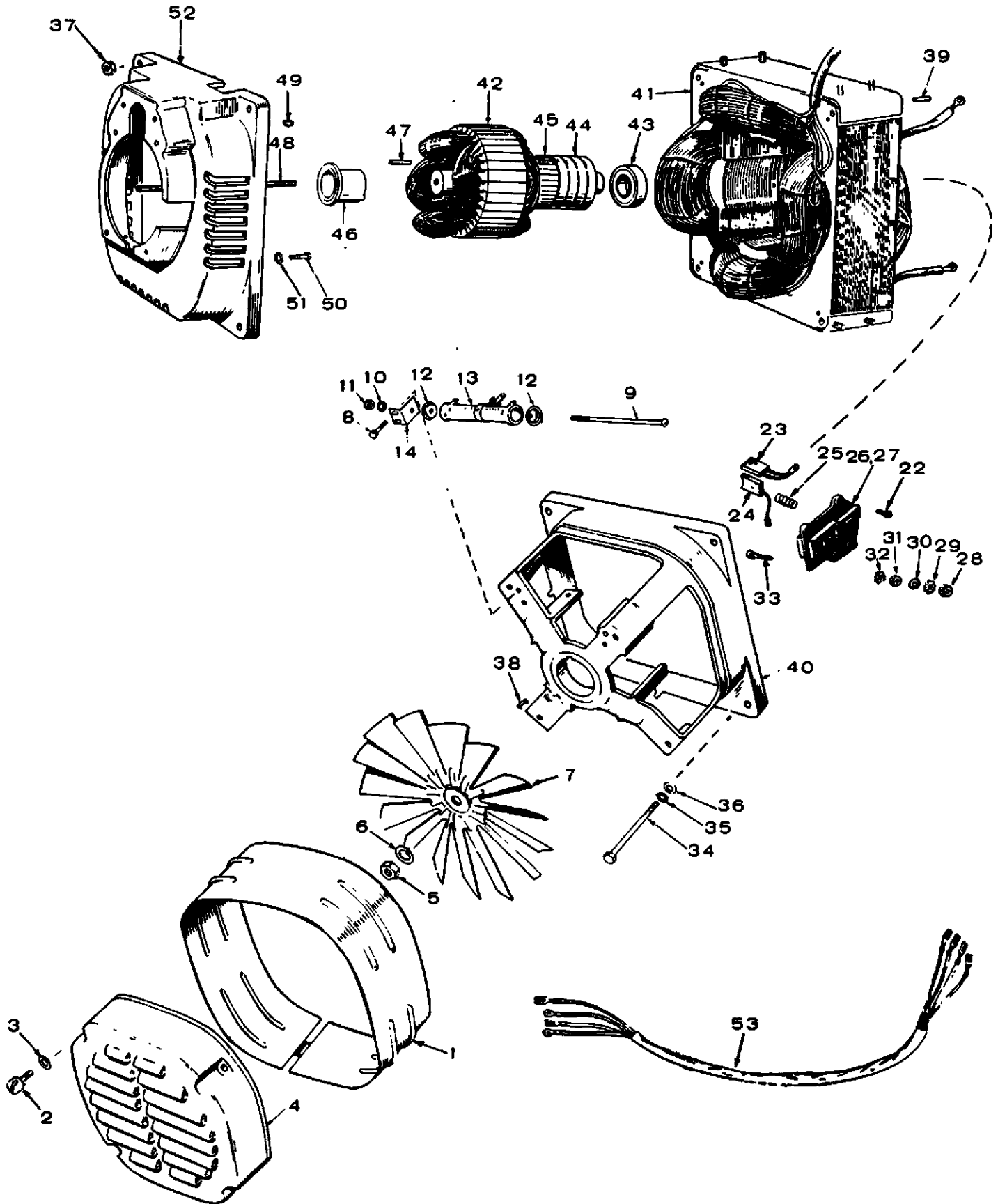
GENERATOR — SPEC A THROUGH L



REF. NO.	PART NO.	QTY. USED	PART DESCRIPTION	REF. NO.	PART NO.	QTY. USED	PART DESCRIPTION
1	813-0098	5	Screw, Tapping - Round Head (#10-32 x 3/8")	23	862-0004	1	Nut, Hex - Hardened (7/16-14)
2	211-0099	1	Cover, End Bell	24	850-0055	1	Washer, Lock - Spring (7/16")
3	815-0110	2	Screw, Machine - Round Head (#10-32 x 7/8")	25	520-0408	1	Stud, Rotor through (7/16-14 x 13-1/4")
4	850-0030	7	Washer, Lock - Spring (#10)	26	ARMATURE ASSEMBLY (Includes Parts Marked *)		
5	870-0053	2	Nut, Hex (#10-32)	201-1307	1	50 Hertz Sets	
6	234-0002	1	Band, End Bell	201-1303	1	60 Hertz Sets	
7	862-0015	2	Nut, Hex (5/16-18)	27	510-0047	1	*Bearing, Ball
8	850-0045	2	Washer, Lock - Spring (5/16")	28	204-0009	1	*Collector Ring
9	800-0004	4	Washer, Cap - Hex Head (1/4-20 x 5/8")	29	203-0009	1	*Commutator
10	212-1214	4	Clamp, Retaining - Brush Rig	30	205-0053	1	*Blower, Generator
11	312-0017	1	Capacitor, 0.5 Mfd	31	515-0006	1	Key, Woodruff
12	312-0058	1	Capacitor, 0.1 Mfd	32	232-1256	1	Scroll, Air Baffle
13	214-0061	4	Brush - DC Commutator	33	800-0050	4	Screw, Cap - Hex Head (3/8-16 x 1")
14	214-0050	4	Brush - AC Collector Ring	34	850-0050	4	Washer, Lock - Spring (3/8)
15	212-1105	8	Spring, Brush	35	231-1006	1	Adapter, Generator to Engine
16	212-0294	1	Rig Assembly, Brush	36	232-0596	1	Clip, Bearing Stop
17	211-0097	1	End Bell	37	515-0122	1	*Key, Armature Drive
18	114-0022	8	Screw, Cap - Hex Head (IR uses 6) (Special)	38	518-0014	2	*Ring, Blower Retaining
19	221-0086	4	Shoe, Pole	39	232-0029	1	*Washer, Blower Retaining
20	COIL ASSEMBLY, FIELD			40	526-0032	1	Washer, Flat (29/64" ID x 7/8" OD x 1/16" Thk)
	222-1633	1	60 Hertz Sets	41	232-2285	1	Foot, Generator Mounting - Spec L
	222-1636	1	50 Hertz Sets	42	800-0033	2	Screw, Cap - Hex Head (5/16-18 x 2" Lg)
21	210-0243	1	Frame, Generator				
22	520-0337	2	Stud, Generator through (5/16-18 x 11-1/4")				

* - Included in Armature Assemblies.

GENERATOR — BEGIN SPEC M



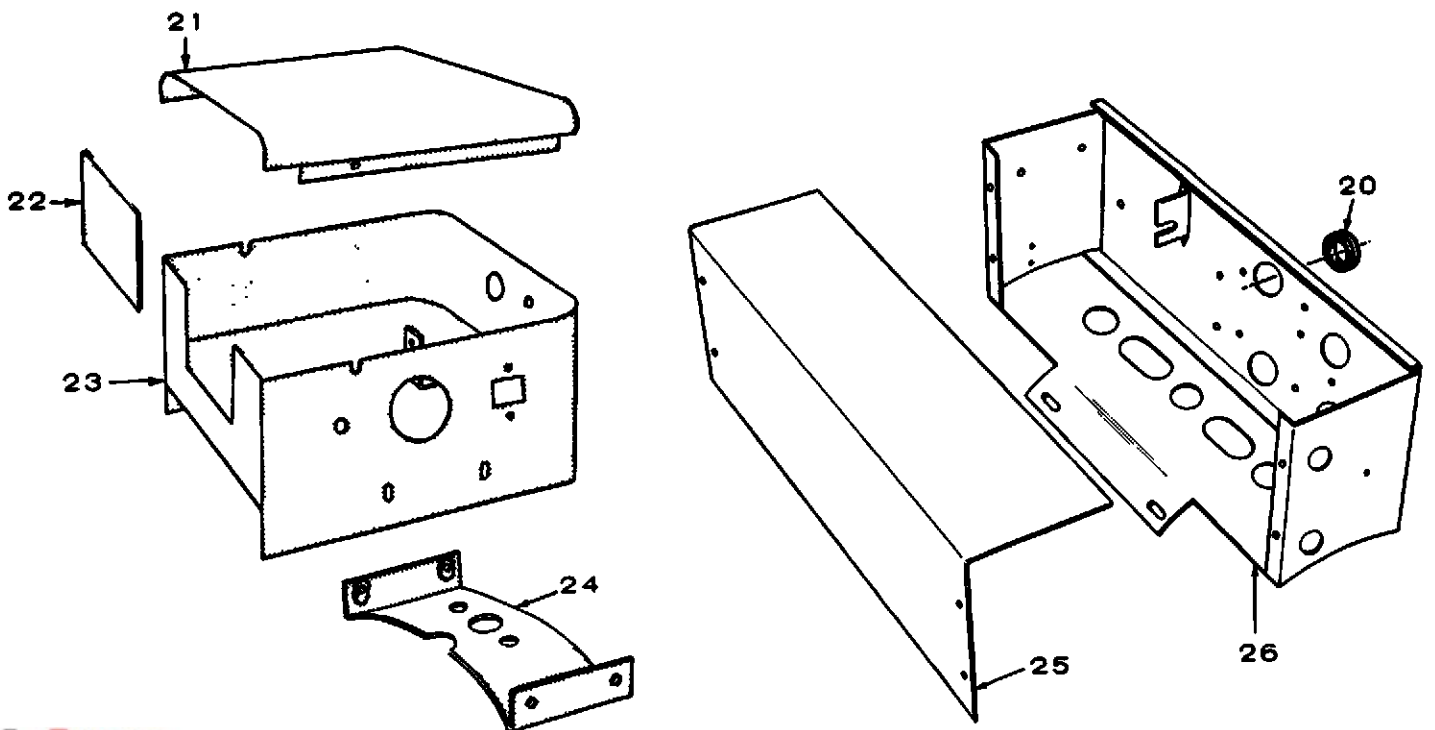
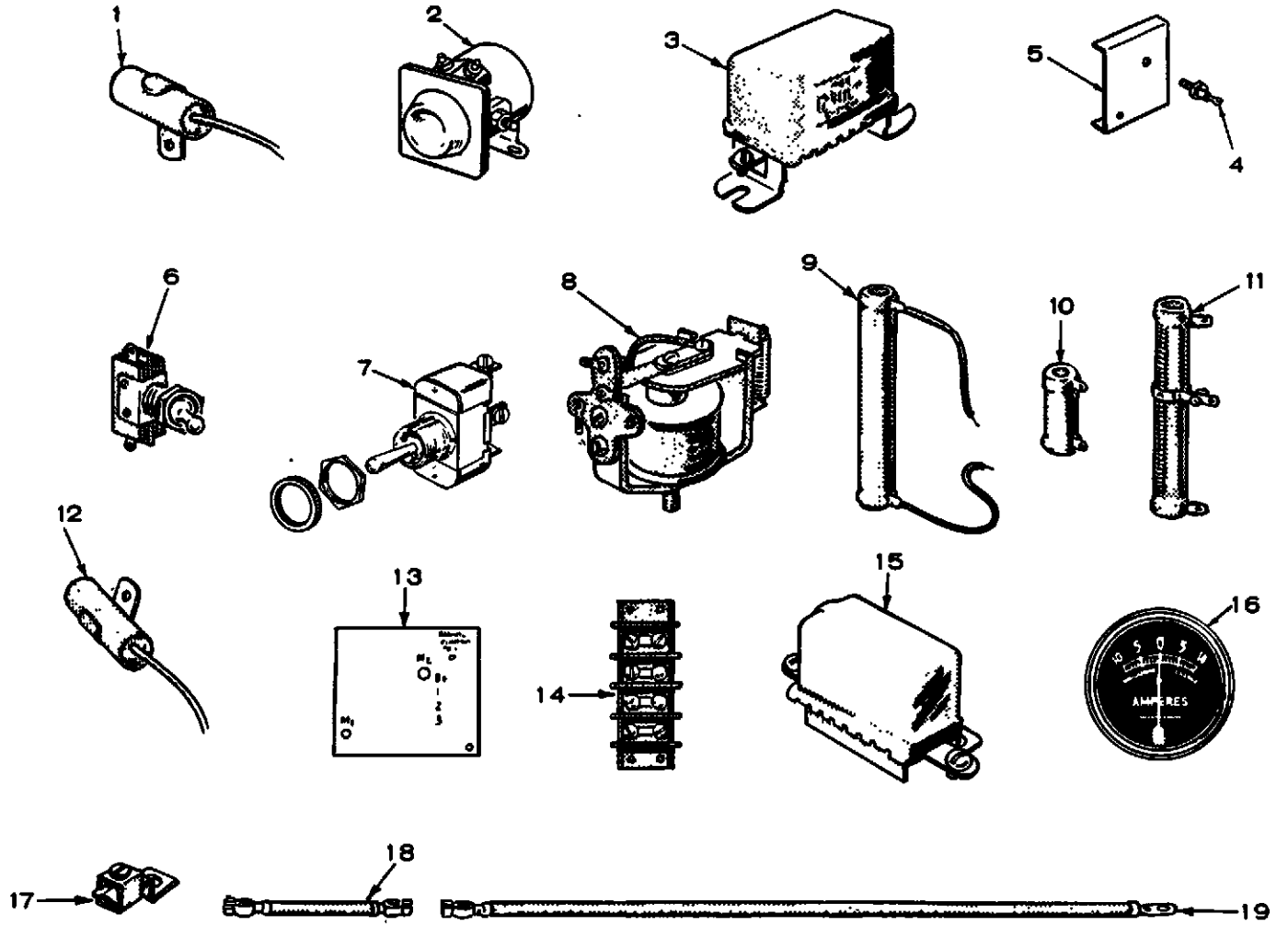
GENERATOR — BEGIN SPEC M

REF. NO.	PART NO.	QTY. USED	PART DESCRIPTION	REF. NO.	PART NO.	QTY. USED	PART DESCRIPTION
1	234-0362	1	Wrapper, End Bell	33	815-0341	4	†Screw, Machine - Hex Head, Brass (#10-32 x 1")
2	812-0156	2	Screw, Machine - Round Head (1/4-20 x 1-1/2")	34	800-0043	4	Screw, Cap - Hex Head (5/16-18 x 5")
3	850-0040	4	Washer, Lock - Spring (1/4")	35	850-0045	4	Washer, Lock - Spring (5/16")
4	232-2107	1	Cover, End Bell	36	526-0115	4	Washer, Flat (5/16")
5	870-0203	1	Nut, Hex (7/16-20)	37	862-0015	4	Nut, Hex (5/16-18)
6	850-0055	1	Washer, Lock - Spring (7/16")	38	232-0596	1	Clip, Retaining - Bearing
7	205-0090	1	Fan, Generator	39	516-0182	8	Pin, Straight, Headless
8	815-0359	4	Screw, Tapping - Hex Head with External Tooth Lock-washer (#10-32 x 7/8")	40	211-0187	1	End Bell, Generator
				41	220-1818	1	Stator, Generator
9	812-0116	1	Screw, Machine - Round Head (#10-24 x 4-1/2")	42	ARMATURE ASSEMBLY, GENERATOR (Includes Parts Marked £)		
10	850-0030	1	Washer, Lock - Spring (#10)		201-1904	1	3CR-120/240 Volts - 4 Wire - 60 Hertz
11	860-0011	1	Nut, Hex (#10-24)		201-2324	1	53CR-120/240 Volts - 4 Wire - 50 Hertz
12	304-0015	2	Washer, Centering	43	510-0047	1	£Bearing, Ball
13	304-0643	1	Resistor, Adjustable	44	204-0110	1	£Collector Ring, Generator
14	304-0706	1	Bracket, Angle - Mounting	45	203-0153	1	£Commutator, Generator
22	815-0359	12	Screw, Tapping - Hex Head with External Tooth Lock-washer (#10-32 x 7/8")	46	232-2316	1	£Hub, Drive
				47	515-0007	1	£Key, Rectangular (1/4" x 1/4" x 1-3/16")
23	214-0095	4	Brush, Commutator	48	520-0732	1	Stud (7/16-14 x 7/16-20 x 14")
24	214-0096	8	Brush, Collector Ring	49	515-0006	1	Key, Woodruff
25	212-1232	12	Spring, Brush	50	800-0050	4	Screw, Cap - Hex Head (3/8-16 x 1-1/4")
26	212-0359	2	Block, Generator Brush (Includes Parts Marked †)	51	850-0050	4	Washer, Lock - Spring (3/8")
27	212-0360	2	Block, Generator Brush (Includes Parts Marked †)	52	231-0164	1	Adapter - Generator to Engine
28	871-0010	4	†Nut, Hex - Brass (#10-32)	53	338-0946	1	Harness, Wiring (M0,M2,M3,M4)
29	853-0008	4	†Washer, Lock - Ext. Tooth (#10)				
30	526-0049	4	†Washer, Flat - Brass (#10)				
31	871-0010	4	†Nut, Hex - Brass (#10-32)				
32	853-0008	4	†Washer, Lock - Ext. Tooth (#10)				

† - Included in Brush Blocks.

£ - Included in 201-1904 and 201-2611 Armature Assembly.

CONTROL — SPEC A THROUGH L

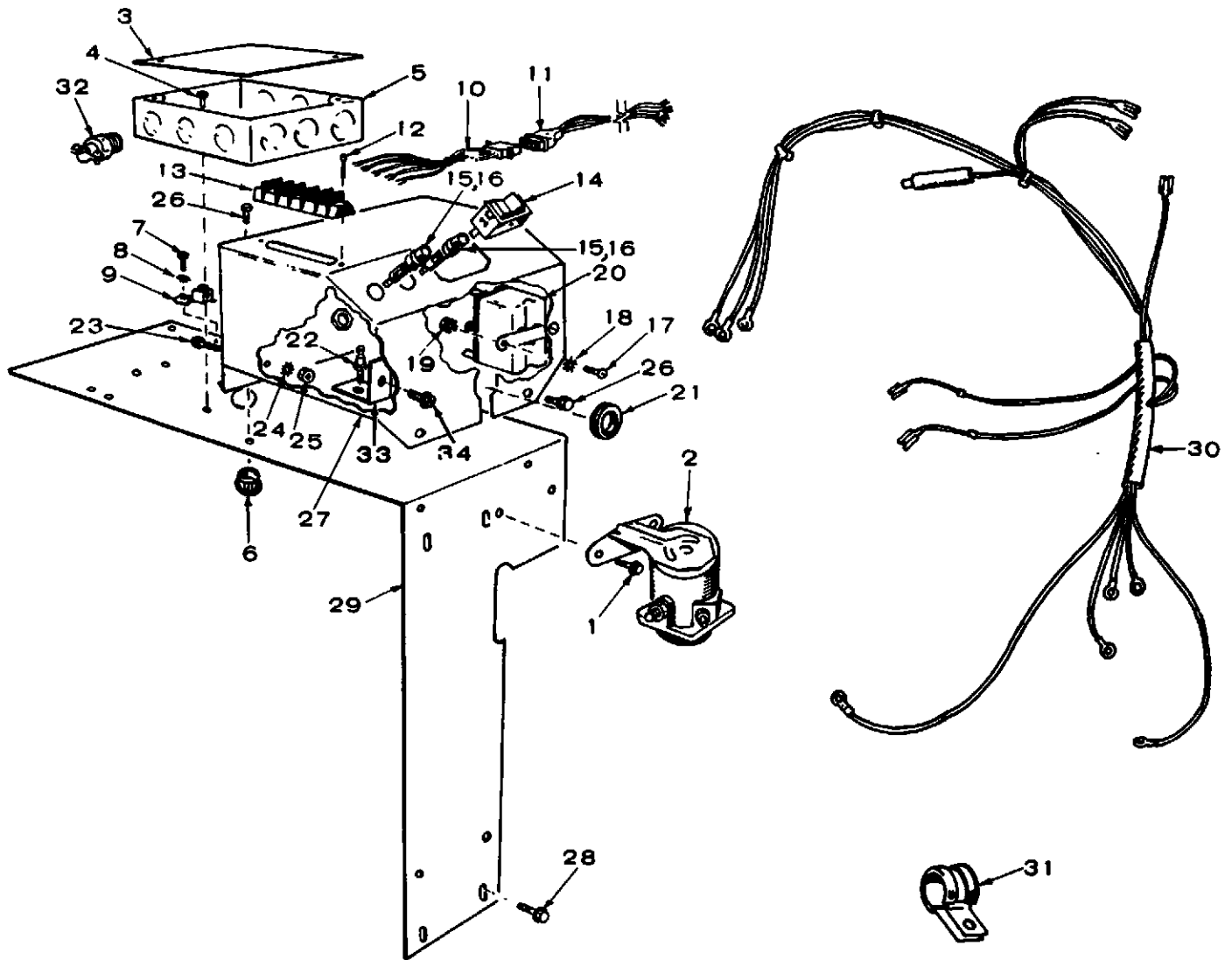


CONTROL — SPEC A THROUGH L

REF. NO.	PART NO.	QTY. USED	PART DESCRIPTION	REF. NO.	PART NO.	QTY. USED	PART DESCRIPTION
1	312-0057	1	Capacitor, 1 Mfd - Start Solenoid	15	REGULATOR, VOLTAGE		
2	307-1046	1	Relay, Solenoid - Start, 12 Volt	305-0001	1	1	Spec A through G
3	307-0180	1	Relay, Protective - Reverse Current - Spec A thru L	305-0383	1	1	Spec H through L
4	305-0235	1	Diode, Semiconductor - Reverse Current Protection - Spec H thru L	16	302-0058	1	Ammeter (10-0-10 Amp Scale) - Spec A through H
5	305-0254	1	Bracket, Mounting - Diode - Spec H thru L	17	TERMINAL, LUG		
6	308-0002	1	Switch, Toggle - SPDT - Manual/Electric Start Selecting	332-0142	1	1	70 Amp - Spec A through G
7	308-0154	1	Switch, Toggle - SPDT Momentary - Start/Stop	332-0517	1	1	35 Amp - Spec H through L
8	307-0253	1	Relay, Armature - Stop Circuit	18	416-0004	1	Cable, Battery - Jumper
9	304-0251	1	Resistor, Fixed, Wirewound - 30-Ohm, 5 Watt	19	416-0077	2	Cable, Battery - Spec A through L
10	304-0344	1	Resistor, Fixed, Wirewound - 1-Ohm, 25 Watt	20	508-0001	3	Grommet, Rubber
11	304-0175	1	Resistor, Adjustable - 1-Ohm, 50 Watt	21	301-1244	1	Cover, Control Box - Spec A through G
12	312-0058	As Req.	Capacitor - 0.1 Mfd - Load Terminal	22	301-1271	1	Plate, Access - Control Box - Spec A through G
13	332-0566	1	Marker Strip - Load Terminal	23	301-1160	1	Box, Control - Spec A through G
14	332-0537	1	Terminal Strip	24	301-1198	1	Bracket, Mounting - Control Box - Spec A through G
				25	301-3102	1	Cover, Control Box - Spec H through L
				26	301-3101	1	Box, Control - Spec H through L

Handwritten note:
 L 305-0001
 305-0383
 302-0058
 332-0142
 332-0517
 416-0004
 416-0077

CONTROL — BEGIN SPEC M



REF. NO.	PART NO.	QTY. USED	PART DESCRIPTION	REF. NO.	PART NO.	QTY. USED	PART DESCRIPTION
1	821-0009	2	Screw, Self-locking - Hex Head (1/4-20 x 3/8")	18	853-0003	2	Washer, Lock - External Tooth (#6)
2	307-1498	1	Relay, Solenoid	19	870-0183	2	Nut, Hex with External Tooth Lockwasher (#6-32)
3	330-0006	1	Cover, Outlet Box	20	307-1497	1	Relay, Armature - SPST (8 Amp, 12 V)
4	815-0350	2	Screw, Tapping - Hex Head (#10-32 x 3/8")	21	508-0008	1	Grommet, Rubber
5	330-0028	1	Box, Outlet	22	305-0235	1	Diode, Rectifier (500 PIV, 22 Amp)
6	508-0191	1	Grommet, Nylon	23	812-0148	1	Screw, Machine - Round Head (1/4-20 x 1/2")
7	821-0010	1	Screw, Self-locking - Hex Head (1/4-20 x 1/2")	24	853-0013	1	Washer, Lock - External Tooth (1/4")
8	856-0006	1	Washer, Lock - External/Internal Tooth (1/4")	25	862-0001	1	Nut, Hex (1/4-20)
9	332-0142	1	Terminal, Lug - Solderless	26	815-0350	4	Screw, Tapping - Hex Head (#10-32 x 3/8")
10	338-0958	1	Harness, Wiring - Optional (Remote Control)	27	301-4038	1	Control Box
11	HARNES, WIRING - REMOTE CONTROL (OPTIONAL)			28	821-0010	6	Screw, Self-Locking - Hex Washer Head (1/4-20 x 7/8")
	338-0959	1	10 Ft. Lg.	29	301-4039	1	Bracket, Mounting - Control
	338-0960	1	30 Ft. Lg.	30	338-0938	1	Harness, Wiring - Control
12	815-0388	2	Screw, Tapping - Pan Head (#6-32 x 1/2")	31	332-1876	1	Clamp, Cable - Optional
13	332-1918	1	Terminal Strip	32	508-0179	1	Clamp, Cable, Strain Relief - Optional
14	308-0383	1	Switch, Push - SPDT	33	370-1002	1	Angle, Diode Mounting
15	321-0174	2	Fuse, Cartridge (5 Amp, 32 V)	34	815-0438	3	Screw, Tapping (#8 x 3/8")
16	321-0217	2	Fuseholder				
17	812-0063	2	Screw, Round Head - Machine (#6-32 x 1/2")				

SERVICE KITS AND MISCELLANEOUS

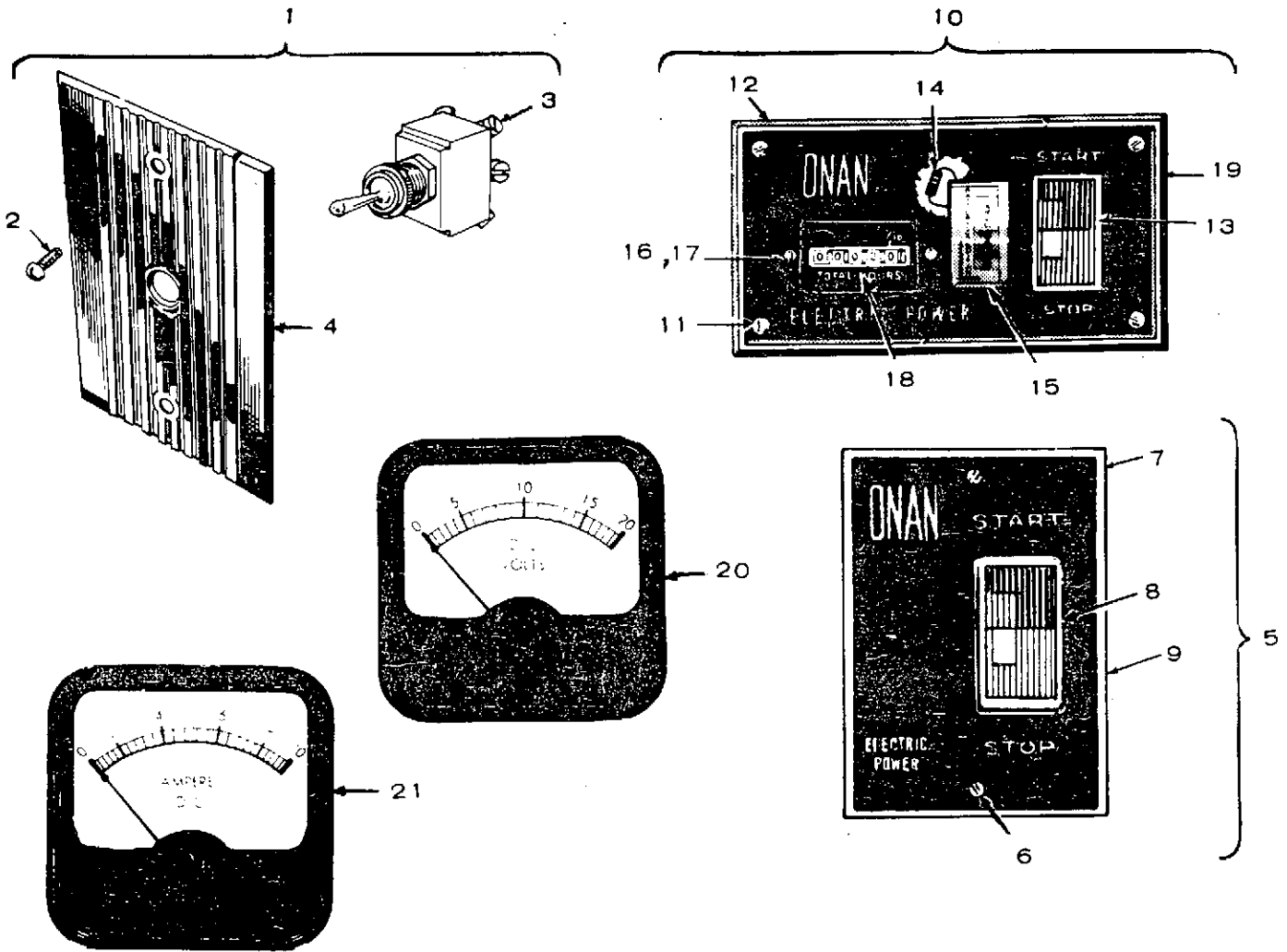
PART NO.	QTY. USED	PART DESCRIPTION
522-0299	1	Overhaul Kit, Engine (Includes Standard Ring Set and Kits Marked *)
168-0065	1	Gasket Kit, Engine
146-0149	1	Repair Kit, Carburetor
98-1100	1	Decal Kit
525-0137	1	Paint, Touch-up, Enamel - Metallic Silver Green (Pressurized Can)
525-0305	1	Paint, Touch-up, Enamel - Green (Pressurized Can)
525-0454	1	Paint, Touch-Up Enamel-Greige (Pressurized Can - 13 oz)
155-1664	1	Modification Kit, Exhaust System (Spec A thru G)

* - NOTE: For other kits refer to the applicable group for parts to be serviced.

OPTIONAL EQUIPMENT SECTION

**This section contains parts listing of factory installed options.
NOTE: options may not be applicable to all models; for field installations, additional parts are usually required.**

REMOTE START CONTROL — OPTIONAL (Used With Three Wire Start Circuits Only)



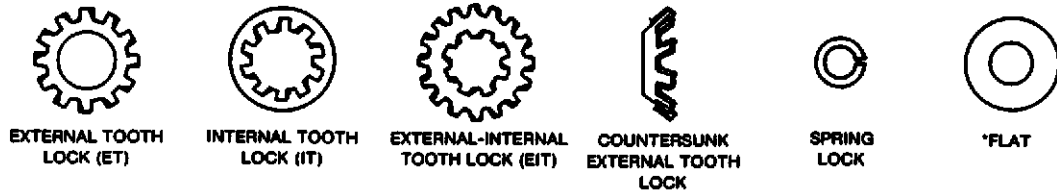
REF. NO.	PART NO.	QTY. USED	PART DESCRIPTION	REF. NO.	PART NO.	QTY. USED	PART DESCRIPTION
1	308-0165	1	Control Package - Remote Starting (Includes Parts Marked *)	11	815-0380	4	**Screw, Wood - Oval Head, Black Oxide (#5 x 1/2")
2	815-0385	2	*Screw, Machine - Round Head (#6-32 x 1/2")	12	300-0986	1	**Control Assembly Remote Starting - Deluxe (Includes Parts Marked £)
3	308-0154	1	*Switch, Toggle - SPDT	13	308-0341	1	£Switch, Push - DPDT (Momentary) With Integral 12 Volt Lamp)
4	308-0168	1	*Plate, Mounting	14	359-0034	1	£Diode
5	300-1030	1	Control Package - Standard, Remote Starting - For Replacement order 300-0985 (Includes Parts Marked †)	15	302-0888	1	£Meter, Battery Condition
6	815-0380	2	†Screw, Wood - Oval Head, Black Oxide (#5 x 1/2")	16	815-0385	2	£Screw, Machine - Round Head, Black Zinc Finish (#6-32 x 1/2")
7	300-0985	1	†Control Assembly, Remote Starting - Standard (Includes Parts Marked *)	17	860-0005	2	£Nut, Hex (#6-32)
8	308-0341	1	*Switch, Push - DPDT (Momentary) With Integral 12 Volt Lamp	18	302-0885	1	£Meter, Time Totalizing
9	301-3566	1	*Panel, Control	19	301-3606	1	£Panel, Control
10	300-1031	1	Control Package - Deluxe, Remote Starting - For Replacement order 300-0986	20	302-0562	1	Voltmeter, DC (0-20)
				21	302-0561	1	Ammeter, DC (0-10)

* - Parts Included in Control Package 308-0165.
 † - Parts Included in Control Package 300-1030.
 * - Parts Included in Control Assembly 300-0985.
 ** - Parts Included in Control Package 300-1031.

HARDWARE IDENTIFICATION

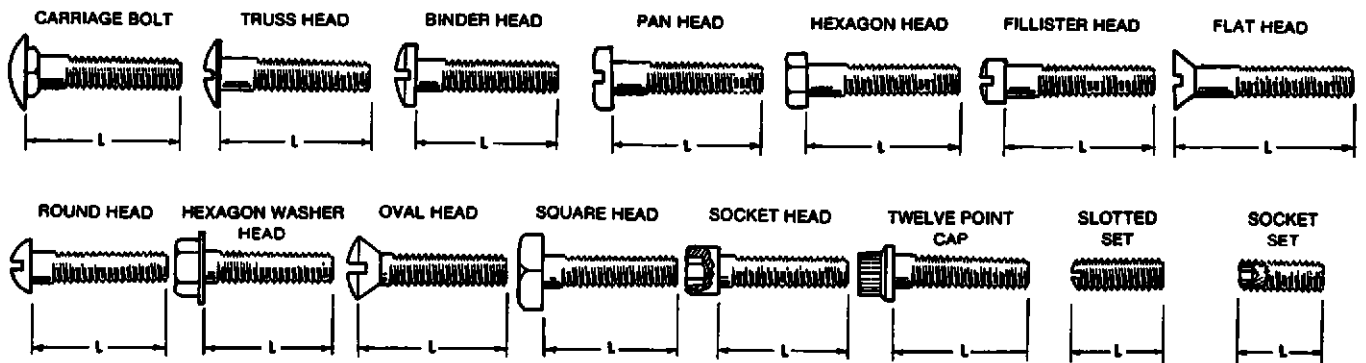
Illustrated hardware items are only for identification purposes. All hardware items listed throughout this parts catalog are steel SAE grade five (5) or lower (zinc plated with clear chromate dip) unless parts descriptor indicates differently. All dimensions are in inches.

WASHER TYPES

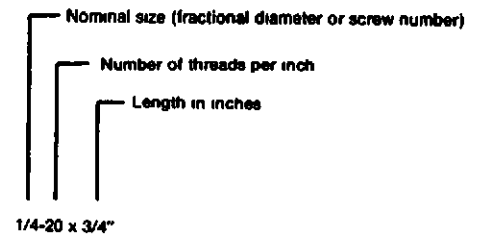
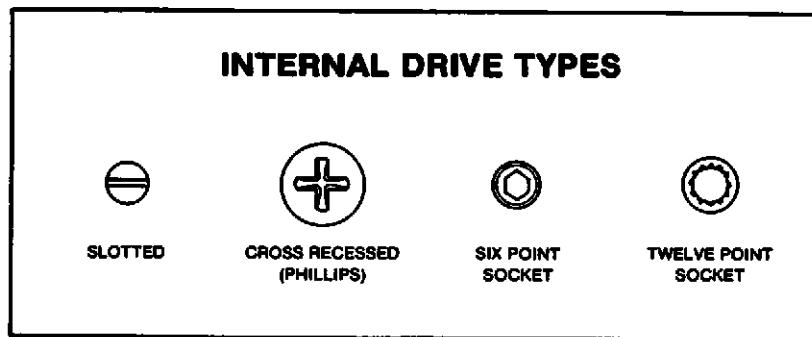


* - Flat washer dimensions given are: Inside Diameter (ID), Outside Diameter (OD) and Thickness (Thk).

BOLT AND SCREW TYPES



L - Measure length between these points.



NUT TYPES





Ponon Corporation
General
1400 73rd Avenue Northeast

612 574 5000
Telex 29 0476

Redistribution or publication of this document
by any means, is strictly prohibited.