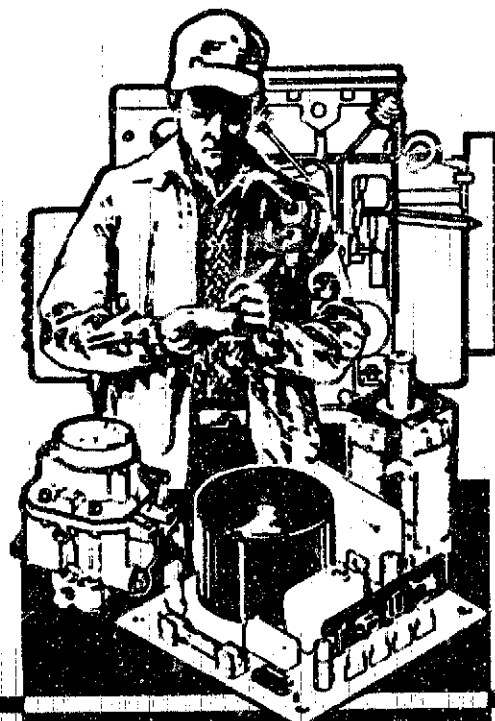


The following catalog has gaps in its page numbers, or doesn't have any numbers. We have chosen to leave the page numbering in the order that Acrobat assigns it.

Onan

Parts Manual MAJB

GenSets



Onan Service Parts

933-0221
8-91 (Spec A-B)
Replaces 8-88 (Spec A-B)
Printed in U.S.A.

 **Power
Generation**

Redistribution or publication of this document
by any means, is strictly prohibited.

SAFETY PRECAUTIONS

The following symbols are used in Onan manuals to alert users to the potentially dangerous conditions relating to maintenance of the equipment and replacement of parts. Please read and observe.

▲ DANGER *This symbol warns of immediate hazards which will result in severe personal injury or death.*

▲ WARNING *This symbol refers to a hazard or unsafe practice which can result in severe personal injury or death.*

▲ CAUTION *This symbol refers to a hazard or unsafe practice which can result in personal injury or product or property damage.*

MODEL IDENTIFICATION

To avoid errors or delay in filling your parts order, always give the MODEL, SPEC NO., and SERIAL NO. from the Onan nameplate.

For handy reference, insert your nameplate information in the spaces below:

MODEL AND SPEC NO.

SERIAL NO.

PRODUCT SAFETY PRECAUTIONS

▲ WARNING

Contact with USED ENGINE OILS has been identified by a United States federal agency and some USA state agencies as causing CANCER or REPRODUCTIVE TOXICITY. When checking or changing engine oils take all necessary precautions not to ingest, breathe the fumes or contact the used oil.

▲ WARNING

Contact with ASBESTOS has been identified by a United States federal agency and some USA state agencies as causing CANCER or REPRODUCTIVE TOXICITY. When handling engine gaskets take all necessary precautions not to ingest, breathe or contact the dust from the gaskets! Use adequate ventilation and wear protective gloves, masks and clothing!

▲ WARNING

Contact with BENZINE and LEAD, found in gasoline, fuel additives and solvents has been identified by a United States federal agency and some USA agencies as causing CANCER or REPRODUCTIVE TOXICITY. When checking, draining or adding gasoline and fuel additives, or using solvents take all necessary precautions not to ingest, breathe the fumes, or contact the liquids. Use adequate ventilation and wear protective gloves, masks and clothing!

Introduction

This catalog applies to the MAJB Generator Set. Parts are arranged in groups of related items and each illustrated part is identified by a reference number in the parts list. Unless otherwise mentioned in the description, parts are interchangeable between models. Parts illustrations are typical. Using the model and specification number from your generator set nameplate, select parts that apply to your set. Right and left sides are determined by facing the engine end (front) of the set.

Set Data Table

Model Identification	Rating	RPM Rating	Battery Voltage
2.5 MAJB - * / # @	2500 Watts	3000 RPM	12 VDC
3.0 MAJB - * / # @	3000 Watts	3600 RPM	12 VDC

Electrical Data Table

Voltage Code	Volts	Hertz	Wire	Phase
1R	120	60	2	1
53BR	110/220	50	3	1
53CR	120/240	50	3	1

* Voltage codes follow model letter designation

Specification Number: Number 1 is standard, all others indicate variations.

@ Specification Letter: Letter Advances (A to B, B to C etc) with major manufacturing changes.

Index

Arm, Governor 9
Backplate, Magneto 13
Base, Oil 8
Bearing, Camshaft 4
Bearing, Crankshaft 4
Bearing, Governor Shaft 9
Bell, End 20, 21
Belt, Cog 13
Block, Cylinder 4
Block, Terminal 14, 18
Blower 20
Breaker, Ignition 14
Breaker, Circuit 18
Brush, Generator 21

Camshaft 3
Cap, Oil 4
Capacitor, Endbell 21
Carburetor, Gasoline 11, 12
Choke, Electric 11
Cleaner, Air 11
Coil, Magneto 13
Control 18
Cover, Gear 9
Cover, Thermostat 6
Cover, Valve 6
Crankshaft 6
Cup, Governor 6

Draincock, Oil 8

Endbell 20, 21

Filter, Air 11
Flywheel 13
Fuse 19

Gasket, Cylinder Head 6
Gear, Camshaft 6
Gear, Crankshaft 6
Generator 20

Harness, Wiring - Control 18
Harness, Wiring - Remote Control 25, 26
Head, Cylinder 6
Housing 23

Impeller 17
Indicator, Oil 4

Kit, Gasket - Carburetor 12
Kit, Gasket - Engine 8
Kit, Gasket - Oil Pump 8
Kit, Muffler 24
Kit, Repair - Water Pump 18

Line, Fuel 11

Manifold, Exhaust 24
Manifold, Intake 11
Meter, Time Totalizing 19
Mount, Vibration 10
Muffler, Marine 24

Pan, Drip 10
Panel, Control - Basic 25
Panel, Control - Deluxe 26
Parsi, Remote 25, 26
Pin, Camshaft 6
Piston 8
Plate, Rear Bearing 4
Plug, Spark 13
Pulley, Crankshaft 13
Pump, Fuel 15
Pump, Oil 8
Pump, Water 16, 17

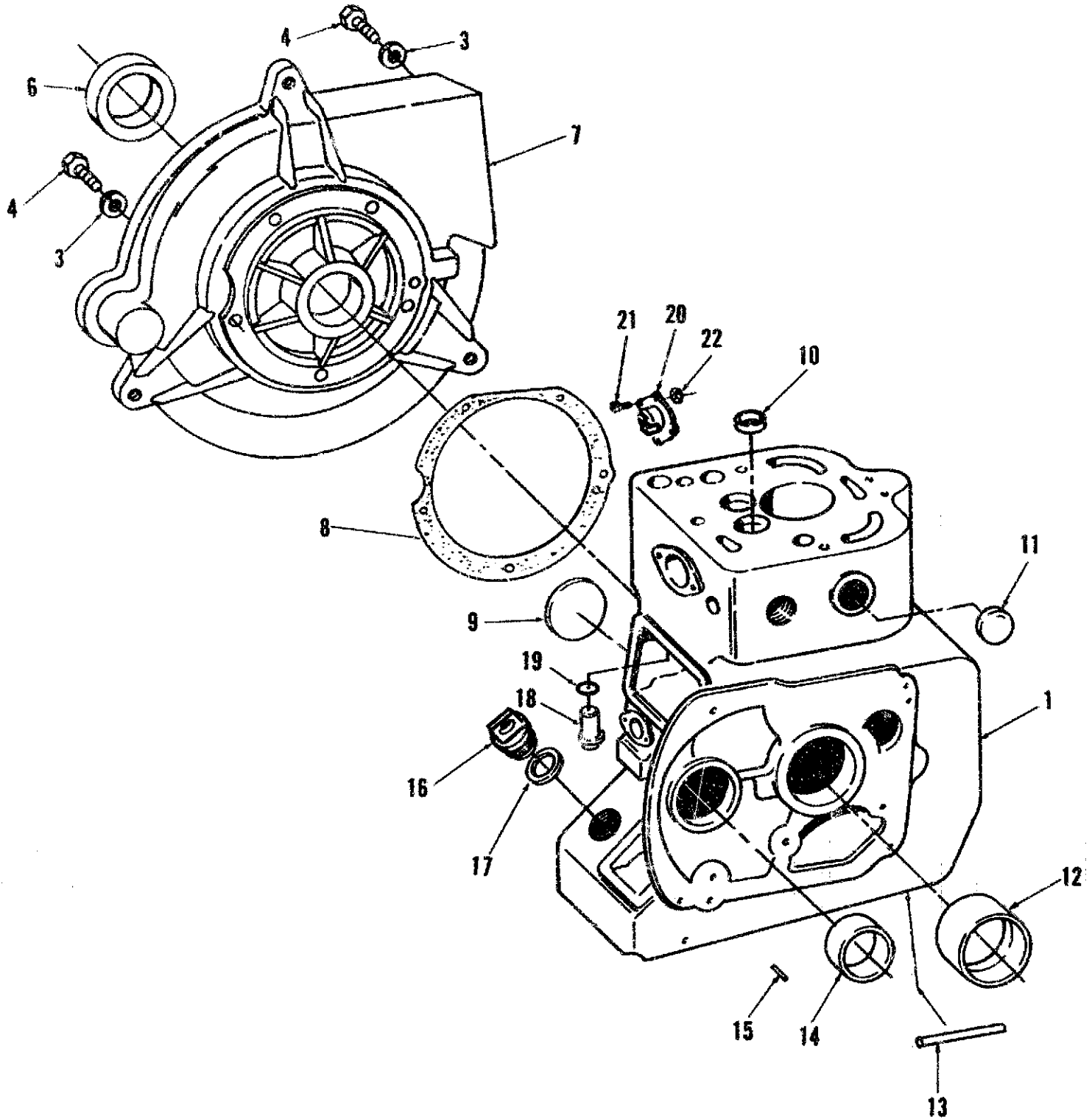
Rectifier, Bridge 21
Relay, Control 18
Resonator 11
Ring Set 6
Rod, Connecting 6
Rotor 20

Shaft, Governor 9
Shield, Sound 24
Spring, Governor 9
Stator 20
Starter 20, 22
Switch, Hi Engine Temp 4
Switch, Hi Exhaust Temp 24
Switch, Oil Pressure 8
Switch, Start/Stop 18

Terminal, Receptacle 15
Thermostat 6

Valve, Exhaust 6
Valve, Intake 6

Cylinder Block

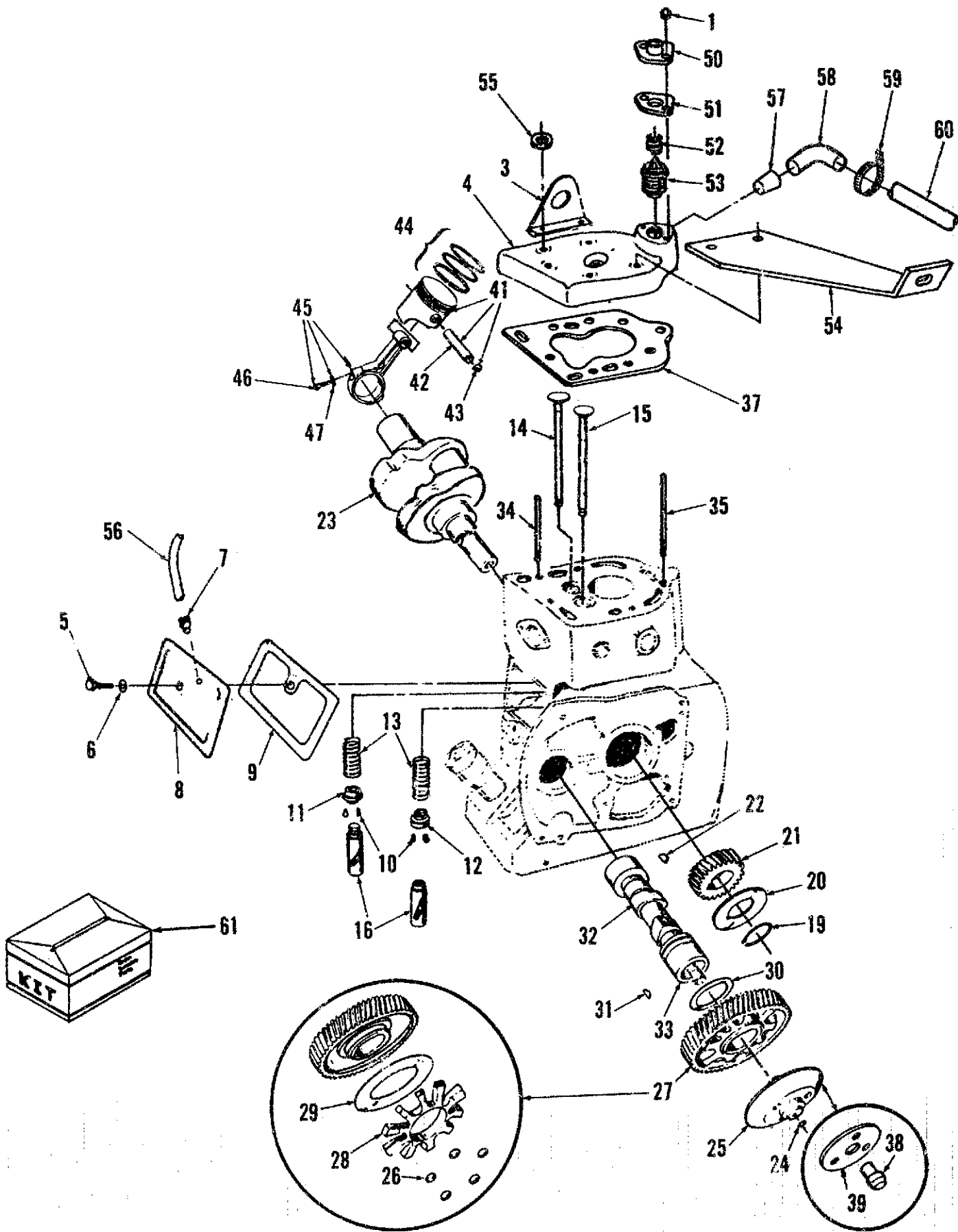


Cylinder Block

REF NO.	PART NO.	QTY USED	PART DESCRIPTION	REF NO.	PART NO.	QTY USED	PART DESCRIPTION
1		1	Block, Cylinder (Pressure Lubrication) (Includes Parts Marked +) (Refer to Short Block Index For Replacement)	13	120-0387	1	+Tube, Line - Oil (4-5/16" Lg)
				14	101-0367	2	+Bearing, Camshaft
				15	516-0012	2	Pin, Dowel
				16	102-0753	1	Plug, Filler - Oil
3	850-0045	5	Washer, Lock - Spring (5/16")	17	102-0612	1	Gasket, Cap - Indicator
4	800-0029	5	Screw, Cap - Hex Head (5/16-18 x 1-1/8")	18	110-0441	2	Guide, Valve
6	509-0041	1	Seal, Oil - Crankshaft	19	110-0068	1	Gasket, Guide - Intake Valve
7	101-0729	1	Plate, Bearing - Rear	20	309-0002	1	Switch, Temperature - High Engine
8	101-0257		Gasket Kit, Plate - Bearing	21	812-0075	2	Screw, Machine - Round Head (#8-32 x 1/4")
9	517-0048	1	+Plug, Expansion (1-5/8" Dia.)	22	854-0007	2	Washer, Lock - IT (#8)
10			+Insert, Seat - Valve (Exhaust)				
	110-0826	1	Standard				
	110-0826-02	1	.002" Oversize				
	110-0826-05	1	.005" Oversize				
	110-0826-10	1	.010" Oversize				
11	517-0041	1	+Plug, Expansion (1-1/8" Dia.)				
12			+Bearing, Crankshaft				
	101-0290	2	*Standard				
	101-0290-02	2	.002" Undersize				
	101-0290-10	2	.010" Undersize				
	101-0290-20	2	.020" Undersize				
	101-0290-30	2	.030" Undersize				

+ - Parts Included in Cylinder Block.

Cylinder Head

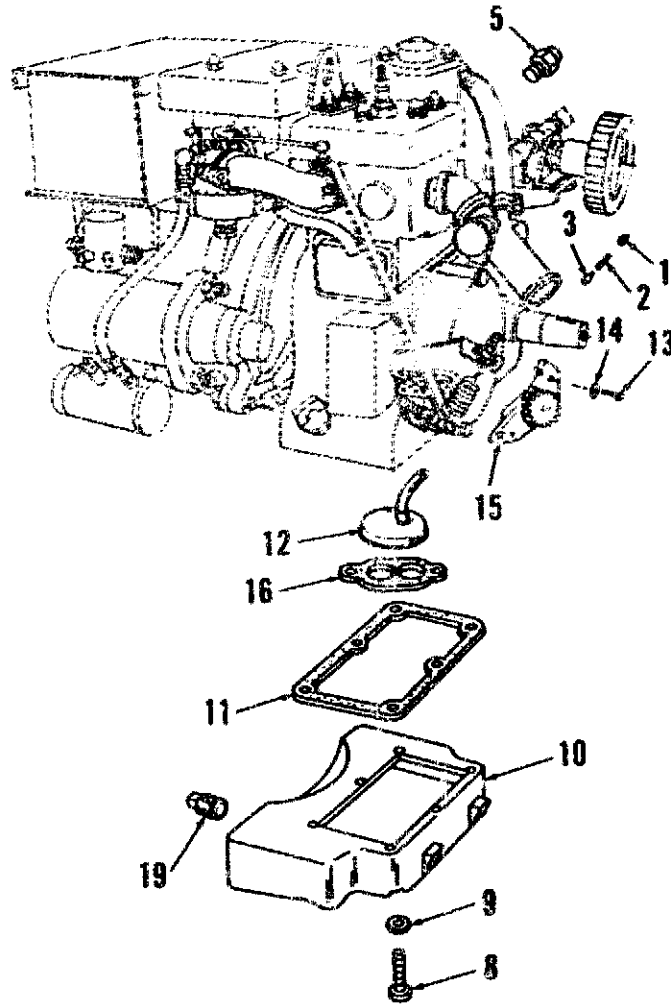


Cylinder Head

REF NO.	PART NO.	QTY USED	PART DESCRIPTION	REF NO.	PART NO.	QTY USED	PART DESCRIPTION
1	869-0002	7	Nut, Acorn (5/16-24")	35	520-0535	2	Stud (5/16-24" x 5/16-18" x 3" - 7/8")
3	405-1039	1	Bracket, Lifting	37	110-0940	1	Gasket, Head - Cylinder
4	110-0939	1	Head, Cylinder	38	150-1519	1	*Hub, Governor
5	800-0015	1	Screw, Cap - Hex Head (1/4-20 x 3")	39	150-1520	1	*Cup and Bushing, Governor
5	526-0063	1	Washer, Flat - Copper (1/4")	41		1	Piston
7	123-0486	1	Valve, Breather		112-0177	1	Standard
8	110-0942	1	Cover, Compartment - Valve		112-0177-10	1	.010" Oversize
9	110-0832	1	Gasket		112-0177-20	1	.020" Oversize
10	110-0008	4	Lock, Spring - Valve		112-0177-30	1	.030" Oversize
11	110-0558	1	Retainer, Spring - Valve		112-0177-40	1	.040" Oversize
12	110-0540	2	Rotator, Valves	42	112-0063	1	Pin, Piston
13	110-0609	2	Spring, Valve	43	112-0013	2	Clip, Pin - Piston
14	110-0828	1	Valve, Intake	44			Ring Set, Piston
15	110-0827	1	Valve, Exhaust		113-0175	1	Standard
16			Tappet, Valve - Includes Adjusting Screw		113-0175-10	1	.010" Oversize
	115-0006	2	Standard		113-0175-20	1	.020" Oversize
	115-0006-OS	2	.005" Oversize		113-0175-30	1	.030" Oversize
19	518-0012	1	Ring, Retaining	45	113-0175-40	1	.040" Oversize
20	104-0050	1	Washer, Retaining - Gear (Special)		114-0095	1	Rod, Connecting
21	104-0048	1	Gear, Crankshaft		114-0095-10	1	Standard
22	515-0001	1	Key, Woodruff		114-0095-20	1	.010" Undersize
23	104-1587	1	Crankshaft		114-0095-30	1	.020" Undersize
24	150-0078	1	Ring, Retaining	46	114-0023	2	.030" Undersize
25	150-1695	1	Cup, Governor (Includes Parts Marked *)	47	854-0014	2	Screw, Cap (Special)
26	510-0015	5	*Ball, Fly - Governor	49	309-0539	1	Washer, Lock - IT (1/4")
27	105-0377	1	Gear, Camshaft (Includes Parts Marked #)	51	309-0004	1	Cover, Thermostat
28	150-1257	1	*Spacer, Gear - Camshaft	52	309-0088	1	Gasket, Cover - Thermostat
29	150-0077	1	*Plate, Gear - Camshaft	53	309-0538	1	Spring, Thermostat
30	105-0004	1	Washer, Thrust - Camshaft	54	130-2735	1	Thermostat
31	515-0001	1	Key, Woodruff	55	526-0122	1	Bracket, Guard - Belt
32	105-0300	1	Camshaft	56	503-0654	1	Washer (5/16")
33	150-0075	1	Pin, Center - Camshaft	57	502-0029	1	Hose
34	520-0143	5	Stud (5/16-24" x 5/16-18" x 2" - 11/32")	58	502-0433	1	Reducer
				59	503-0446	1	Elbow
				60	503-0304	1	Clamp
				61	168-0069	1	Hose
							Gasket Kit, Engine

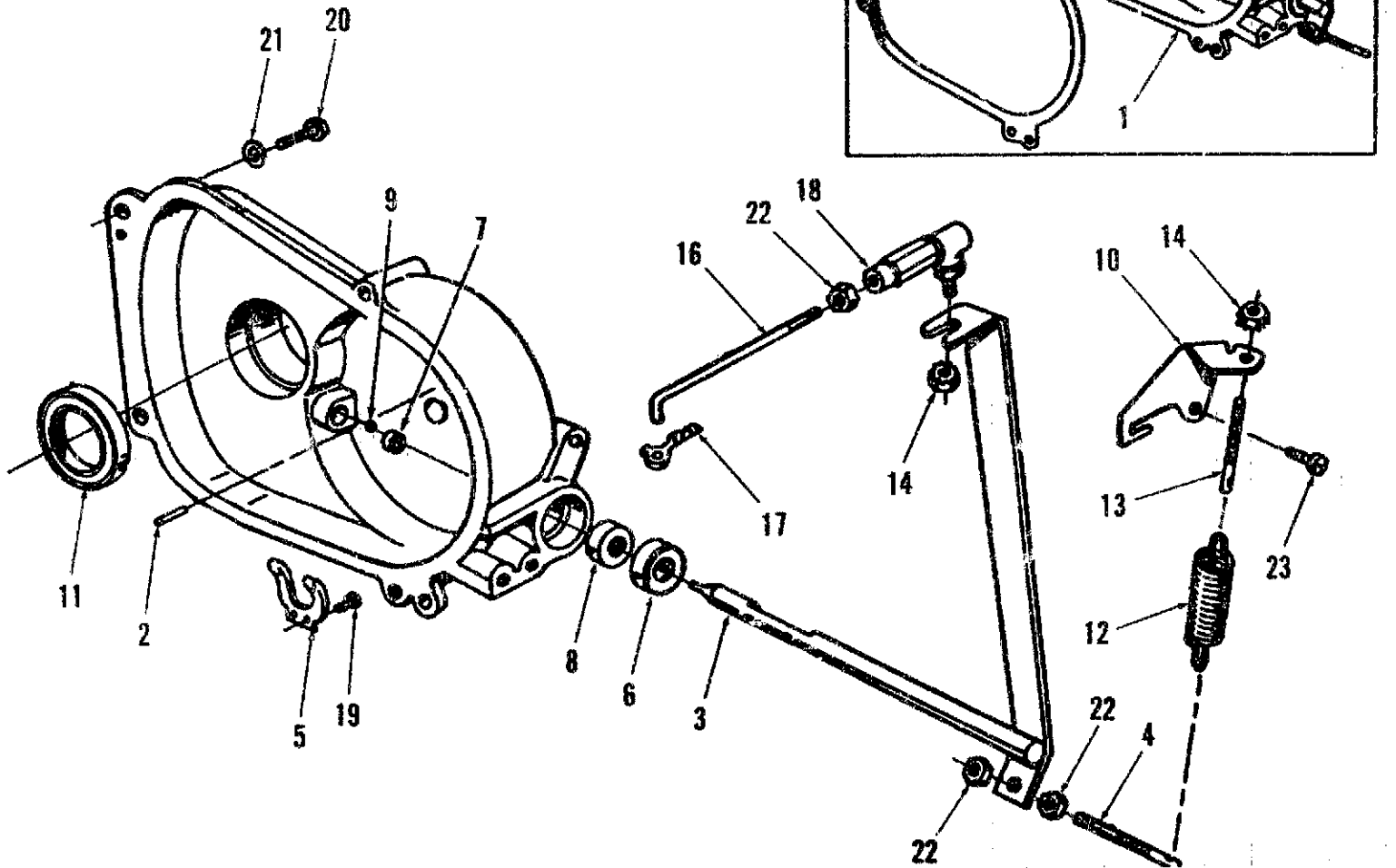
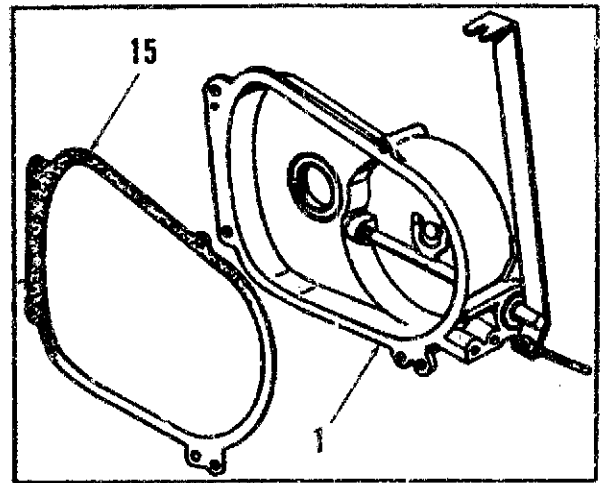
* - Parts Included in Governor Cup
 # - Parts Included in Camshaft Gear

Oil System



REF NO.	PART NO.	QTY USED	PART DESCRIPTION	REF NO.	PART NO.	QTY USED	PART DESCRIPTION
1	505-0274	1	Plug, Pipe - Socket Drive	11	102-0866	1	Gasket, Base - Oil
2	120-0140	1	Spring, By Pass - Oil	12	120-0571	1	Cup, Intake - Oil Pump
3	120-0012	1	Plunger, By Pass - Oil	13	800-0007	2	Screw, Cap - Hex Head (1/4-20 x 1")
5	309-0322	1	Switch, Pressure - Low Oil	14	850-0040	2	Washer, Lock - Spring (1/4")
9	800-0056	6	Screw, Cap - Hex Head (3/8-16 x 1-3/4")	15	120-0394	1	Pump, Oil
9	850-0050	6	Washer, Lock - Spring (3/8")	16	120-0161	1	Gasket Kit, Pump - Oil
10	102-0864	1	Base, Oil	19	505-0054	1	Plug, Square - Head

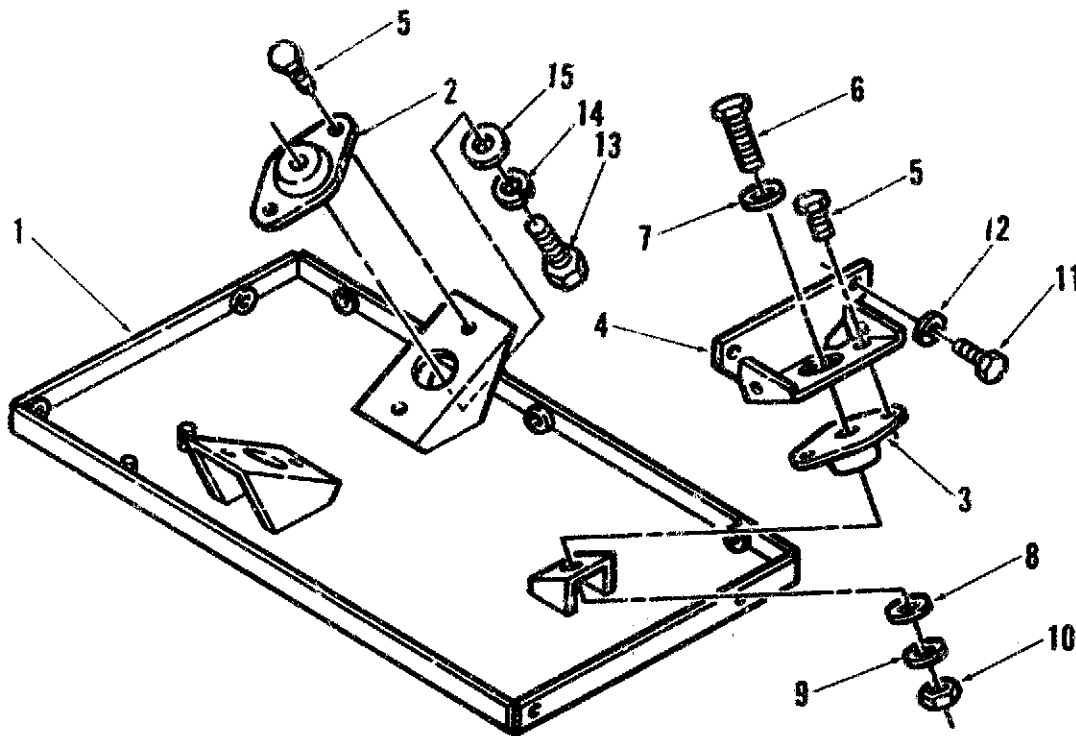
Gear Cover



REF NO.	PART NO.	QTY USED	PART DESCRIPTION	REF NO.	PART NO.	QTY USED	PART DESCRIPTION
1	103-0435	1	Cover, Gear (Includes Parts Marked *)	14	870-0131	2	Nut, Lock - ET (#10-32)
2	516-0117	1	*Pin, Roll Governor Cup Stop	15	103-0013	1	Gasket, Cover - Gear
3	150-1426	1	*Arm and Shaft, Governor	16	150-2097	1	Link, Governor Arm to Carburetor
4	150-0177	1	*Stud, Adjusting - Governor Sensitivity (#10-32 x 1-7/8")	17	518-0006	1	Clip, Governor Link to Carburetor
5	150-1187	1	*Yoke, Shaft - Governor	18	150-0639	1	Joint, Ball
6	509-0008	1	*Seal, Oil - Governor Shaft	19	815-0046	2	*Screw, Mounting - Governor
7	510-0008	1	*Bearing, Lower - Governor Shaft	20			Screw, Cap - Hex Head (Gear Cover Mounting)
8	510-0013	1	*Bearing, Upper - Governor Shaft		800-0031	2	5/16-18 x 1-1/2"
9	510-0014	1	*Ball, Thrust - Governor Shaft		800-0034	2	5/16-18 x 2/1/4"
10	150-1429	1	Bracket, Spring - Governor	21	850-0045	4	Washer, Lock - Gear Cover Mounting (5/16")
11	509-0012	1	*Seal, Oil - Front	22	870-0053	3	*Nut, Hex (#10-32)
12	150-0098	1	Spring, Governor	23	815-0290	1	Screw, Hex Washer Head (1/4-20 x 5/8")
13	150-0096	1	Stud, Spring - Governor Tension Adjusting (#10-32 x 1-11/16")				

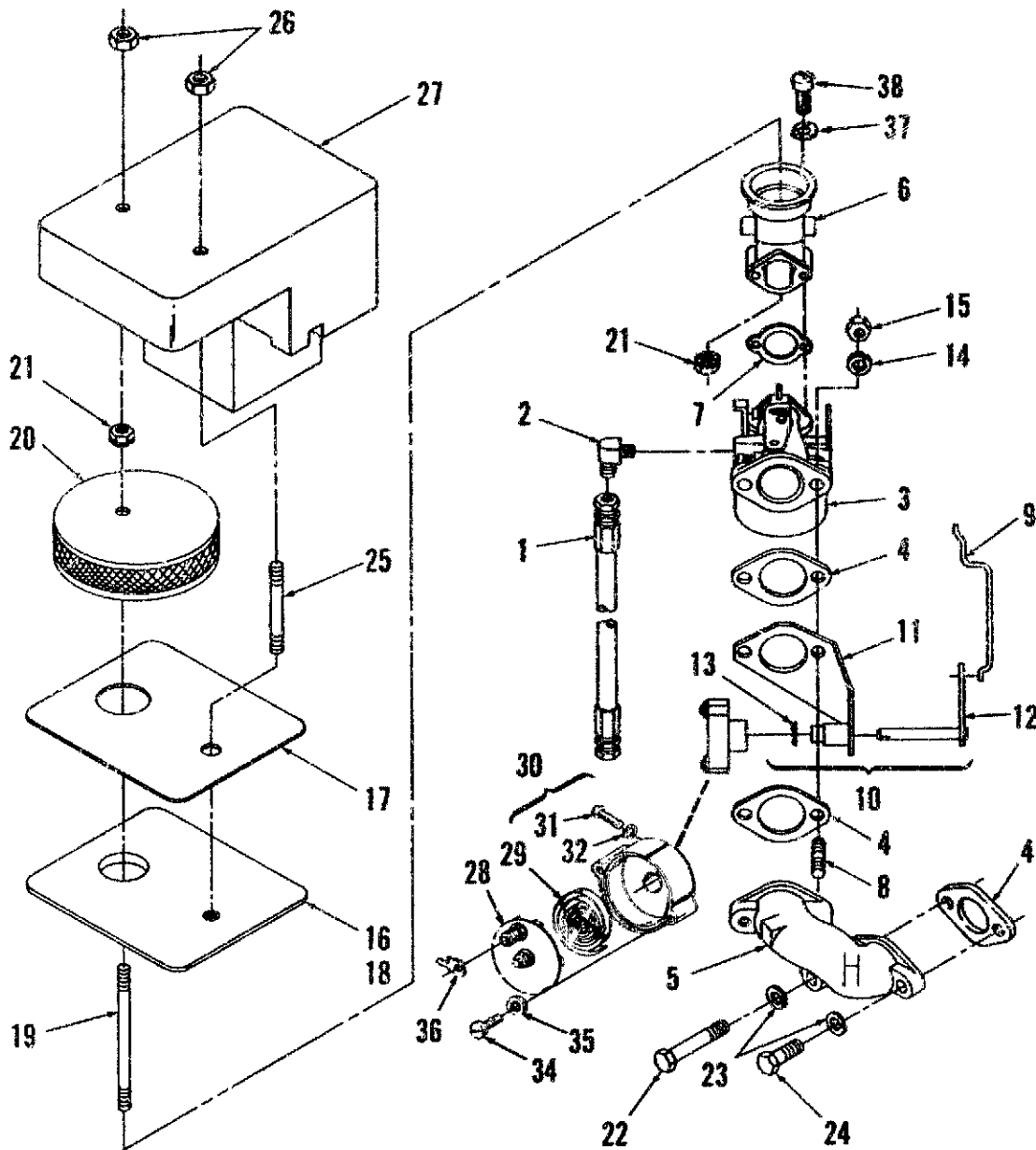
* Parts Included in Gear Cover.

Base and Mount



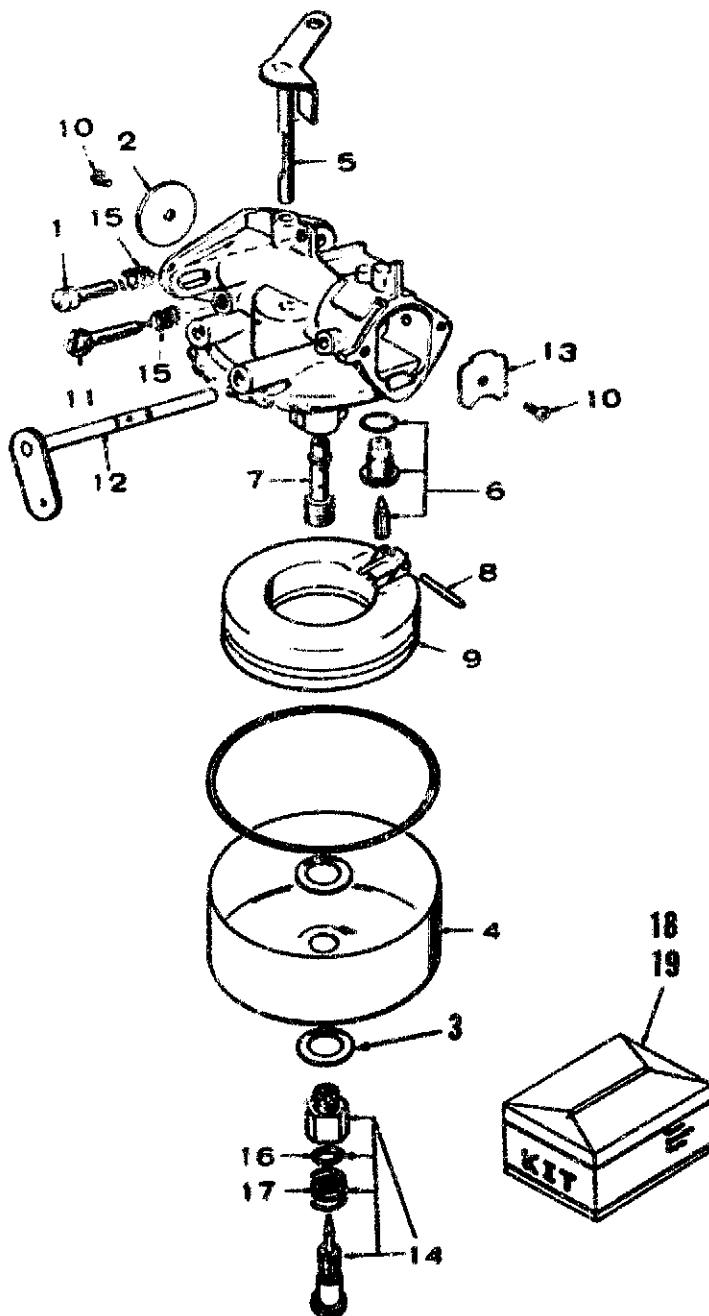
REF NO.	PART NO.	QTY USED	PART DESCRIPTION	REF NO.	PART NO.	QTY USED	PART DESCRIPTION
1	403-2298	1	Pan, Drip	9	850-0045	1	Washer, Lock (5/16")
2	402-0569	2	Isolator, Vibration	10	870-0153	1	Nut, Hex (5/16-18")
3	402-0550	1	Isolator, Vibration	11	800-0947	2	Screw, Cap - Hex Head (3/8-16" x 5/8")
4	403-2296	1	Mount, Front - Engine	12	850-0050	2	Washer, Lock - Spring (3/8")
5	821-0010	6	Screw, Lock - Flange (1/4-20 x 1/2")	13	800-0033	2	Screw, Cap - Hex Head (5/16-18 x 2")
6	800-0033	1	Screw, Cap - Hex Head (5/16-18 x 2")	14	850-0045	2	Washer, Lock - Spring (5/16")
7	526-0333	1	Washer, Flat (5/16)	15	526-0324	2	Washer, Flat (5/16")
8	526-0115	1	Washer, Flat (5/16")				

Fuel System



REF NO.	PART NO.	QTY USED	PART DESCRIPTION	REF NO.	PART NO.	QTY USED	PART DESCRIPTION
1	501-0513	1	Line, Fuel	21	870-0131	2	Nut, Hex - ET (#10-32)
2	502-0138	1	Elbow, Flare - Male	22	800-0308	1	Screw, Cap - Hex Head (1/4-20 x 2-1/8")
3	146-0383	1	Carburetor, Gasoline (See Separate Group for Parts) (Excludes Mounting Gasket)	23	850-0040	2	Washer, Lock (1/4")
4	141-0078	3	Gasket, Mounting - Carburetor	24	800-0006	1	Screw, Cap - Hex Head (1/4-20 x 7/8")
5	154-2508	1	Manifold, Intake	25	520-0956	1	Stud (Special)
6	140-1269	1	Adapter, Intake	26	870-0131	2	Nut, Hex - W/ET (#10-32)
7	145-0111	1	Gasket, Intake Adapter to Carburetor	27	140-1966	1	Resonator
8	520-0870	2	Stud (Special)	28	153-0113	1	Cover, Choke
9	153-0584	1	Link, Choke - Electric	29	153-0017	1	Element, Bi Metal
10	153-0583	1	Bracket Assembly, Choke	30	153-0440	1	Housing, Choke
11	153-0582	1	Bracket and Bushing, Choke	31	815-0110	1	Screw, Machine - Round Head (#10-32 x 7/8")
12	146-0241	1	Shaft, Choke	32	850-0000	1	Washer, Lock - Spring (#10)
13	518-0387	1	Ring, Retainer - External	34	815-0285	2	Screw, Machine - Round Head W/ET (#8-32 x 5/16")
14	853-0013	2	Washer, Lock - ET (1/4")	35	526-0048	2	Washer, Flat (#8)
15	868-0001	2	Nut, Jam - hex (1/4-28")	36	332-0527	1	Terminal, Tab (.25)
16	140-1985	1	Insert, Resonator	37	850-0025	2	Washer, Lock (#8)
17	140-1988	1	Gasket, Resonator	38	812-0085	2	Screw, Machine - Round Head (#8-32 x 1.12)
18	518-0265	1	Compound, Retaining				
19	520-0953	1	Stud (Special)				
20	155-2054	1	Cleaner, Air				

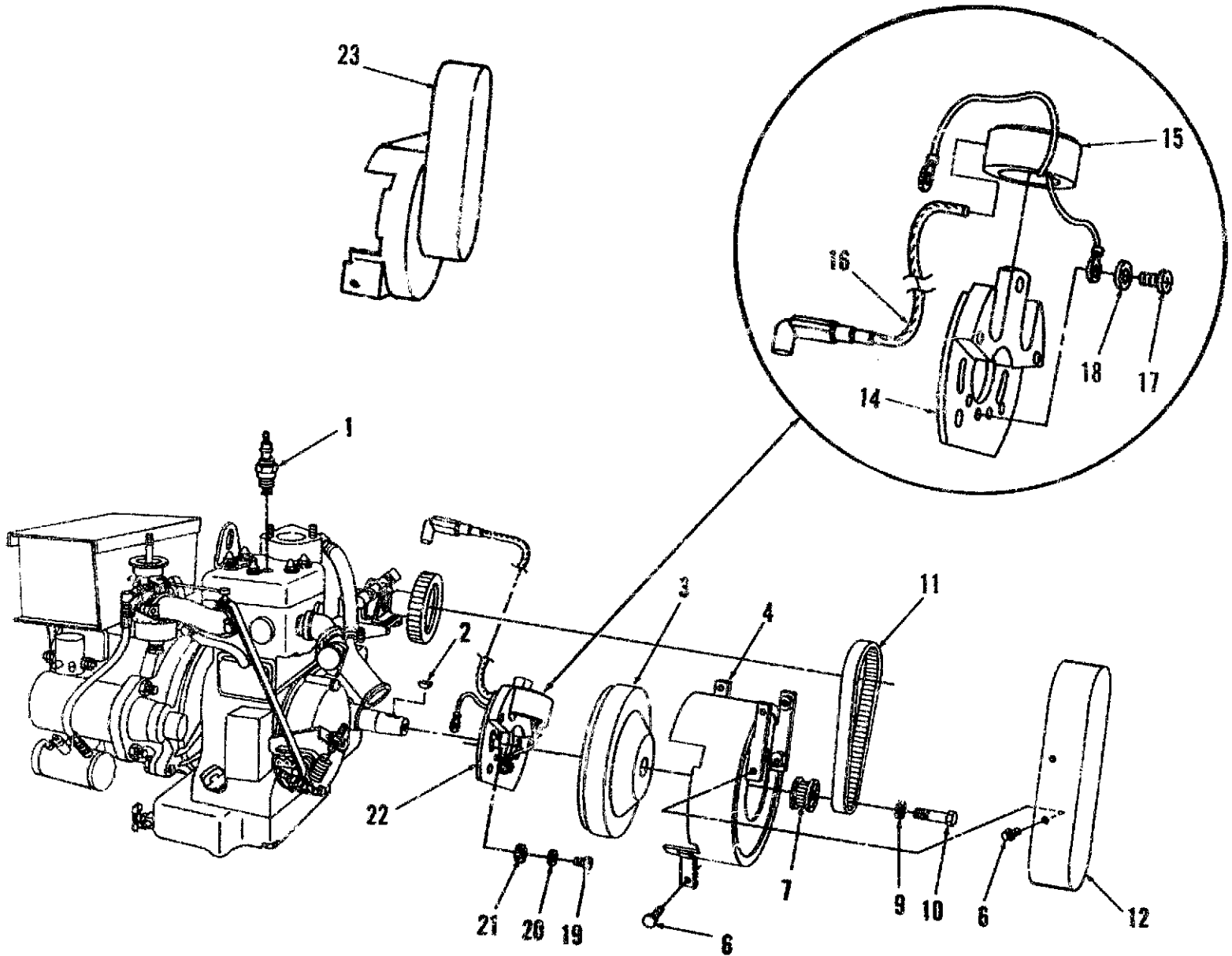
Carburetor Parts



REF NO.	PART NO.	QTY USED	PART DESCRIPTION	REF NO.	PART NO.	QTY USED	PART DESCRIPTION
	146-0383	1	Carburetor, Gasoline (Excludes Mounting Gasket)	11	146-0209	1	*Needle, Idle
1	146-0122	1	Screw, Stop - Throttle	12	146-0407	1	Shaft, Choke
2	146-0119	1	Valve, Throttle	13	146-0104	1	Valve, Choke
3	146-0102	2	*Gasket, Retainer - Bowl	14	146-0408	1	*Needle, High Speed
4	146-0118	1	Bowl, Fuel	15	146-0186	2	Spring, Throttle Stop Screw and Idle
5	146-0406	1	Shaft, Throttle	16	146-0120	1	Seal, "O" Ring - High Speed
6	146-0145	1	*Valve, Float (Includes Gasket and Gasket)	17	146-0117	1	Needle
7	146-0113	1	Nozzle				Spring Kit, High Speed
8	146-0111	1	*Shaft, Float	18	146-0253	1	Needle
9	146-0110	1	Float				Repair Kit, Carburetor (Includes Parts Marked *)
10	146-0109	2	Screw (Special)	19	146-0124	1	*Gasket, Kit, Carburetor

* Parts Included in Repair Kit.

Ignition System

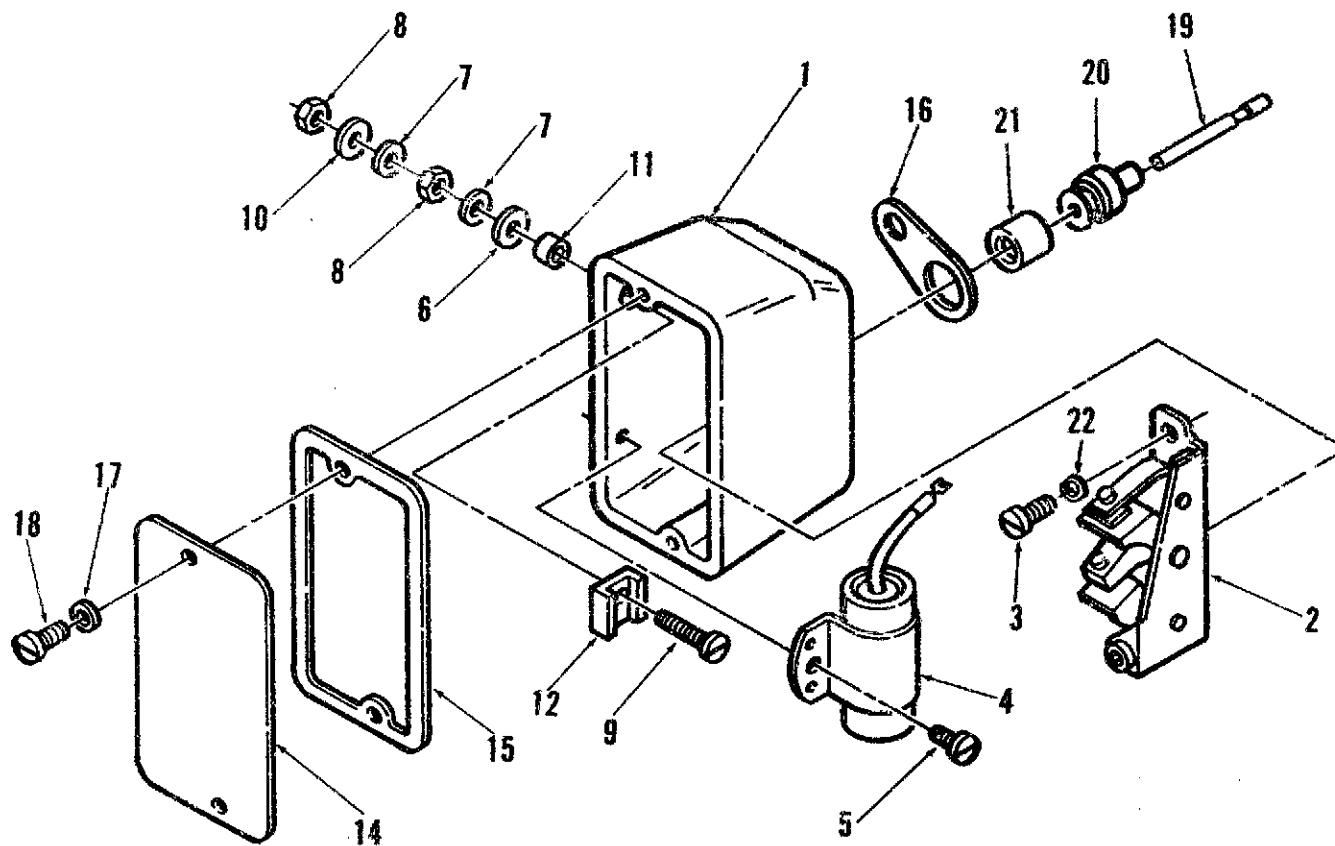


REF NO.	PART NO.	QTY USED	PART DESCRIPTION
1	167-0237	1	Plug, Spark
2	515-0113	1	Key, Woodruff
3	160-1353	1	Flywheel (Includes Magnets)
4	104-1658	1	Cover, Flywheel (Used Through June 1987)
6			Screw, Self-locking - Hex Washer Head (#10-32 x 5/16")
	821-0005	8	Used Through June 1987
	821-0005	3	Used Beginning July 1987
7	512-0168	1	Pulley, Crankshaft
9	850-0055	1	Washer, Lock - Spring (7/16")
10	800-0081	1	Screw, Cap - Hex Head (Special)
11	511-0148	1	Belt, Cog
12	104-1658	1	Guard, Belt (Used Through June 1987)

REF NO.	PART NO.	QTY USED	PART DESCRIPTION
14	160-0454	1	*Plate and Core
15	160-0155	1	*Coil, Magneto
16	167-1596	1	*Lead, Tension - Hi
17	812-0075	1	*Screw, Machine - Round Head (#0-32 x 1/4")
18	854-0007	1	*Washer, Lock - IT (#8)
19	815-0290	2	Screw, Thread Forming
20	850-0040	2	Washer, Lock - Spring (1/8")
21	526-0214	2	Washer, Flat (1/4")
22	160-1334	1	Backplate, Magneto (Includes Parts Marked *)
23	104-1658	1	Guard, Belt and Flywheel (Used Beginning July 1987)

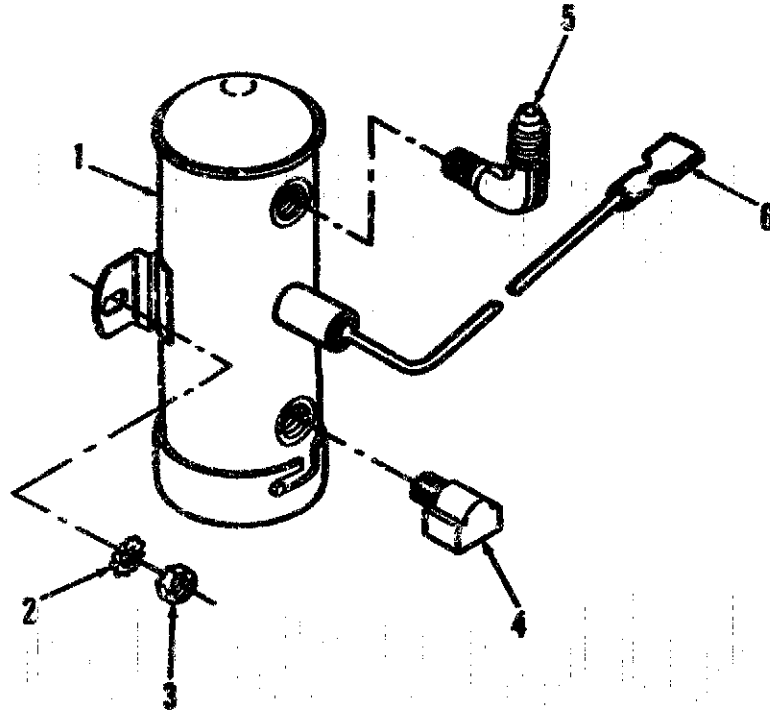
* Parts Included in Magneto Backplate.

Breaker Box



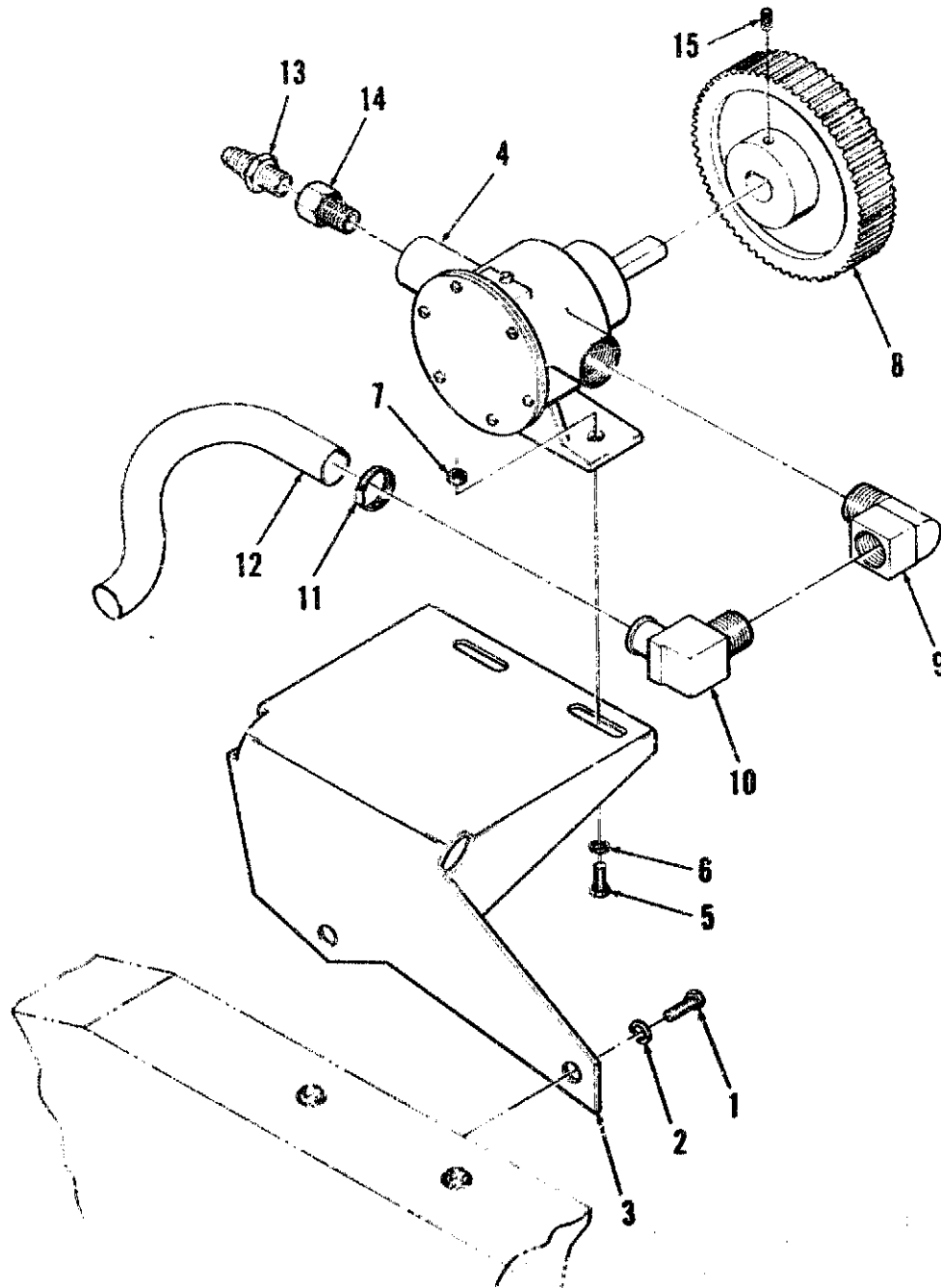
REF NO.	PART NO.	QTY USED	PART DESCRIPTION	REF NO.	PART NO.	QTY USED	PART DESCRIPTION
1	160-1329	1	Box, Breaker - Ignition	10	526-0049	1	Washer, Flat - Brass (#10)
2	160-1183	1	Point Set, Ignition	11	508-0016	1	Washer, Fibre - Insulating (5/16")
3	812-0148	2	Screw, Round Head (1/4-20 x 1/2")	12	332-0319	1	Block, Terminal
4	312-0097	1	Condenser	14	160-1336	1	Cover, Box - Breaker
5	518-0049	1	Screw, Round Head - ET (#8-32 x 1/4")	15	160-1337	1	Gasket, Box - Breaker
6	508-0017	1	Washer, Fibre - Insulating (#10)	16	160-1335	1	Gasket, Box - Breaker
7	854-0010	2	Washer, Lock - IT (#10)	17	526-0063	2	Washer, Flat - Copper (1/4")
8	871-0010	2	Nut, Hex - Binding Head (#10-32)	18	802-0034	2	Screw, Cap - Socket Head (1/4-20 x 3/4")
9	332-0284	1	Screw, Machine - Hex Head, Brass (#10-32 x 3/4")	19	160-1331	1	Plunger
				20	160-0264	1	Guide, Plunger
				21	160-0382	1	Diaphragm
				22	854-0014	2	Washer, Lock - IT (1/4")

Fuel Pump



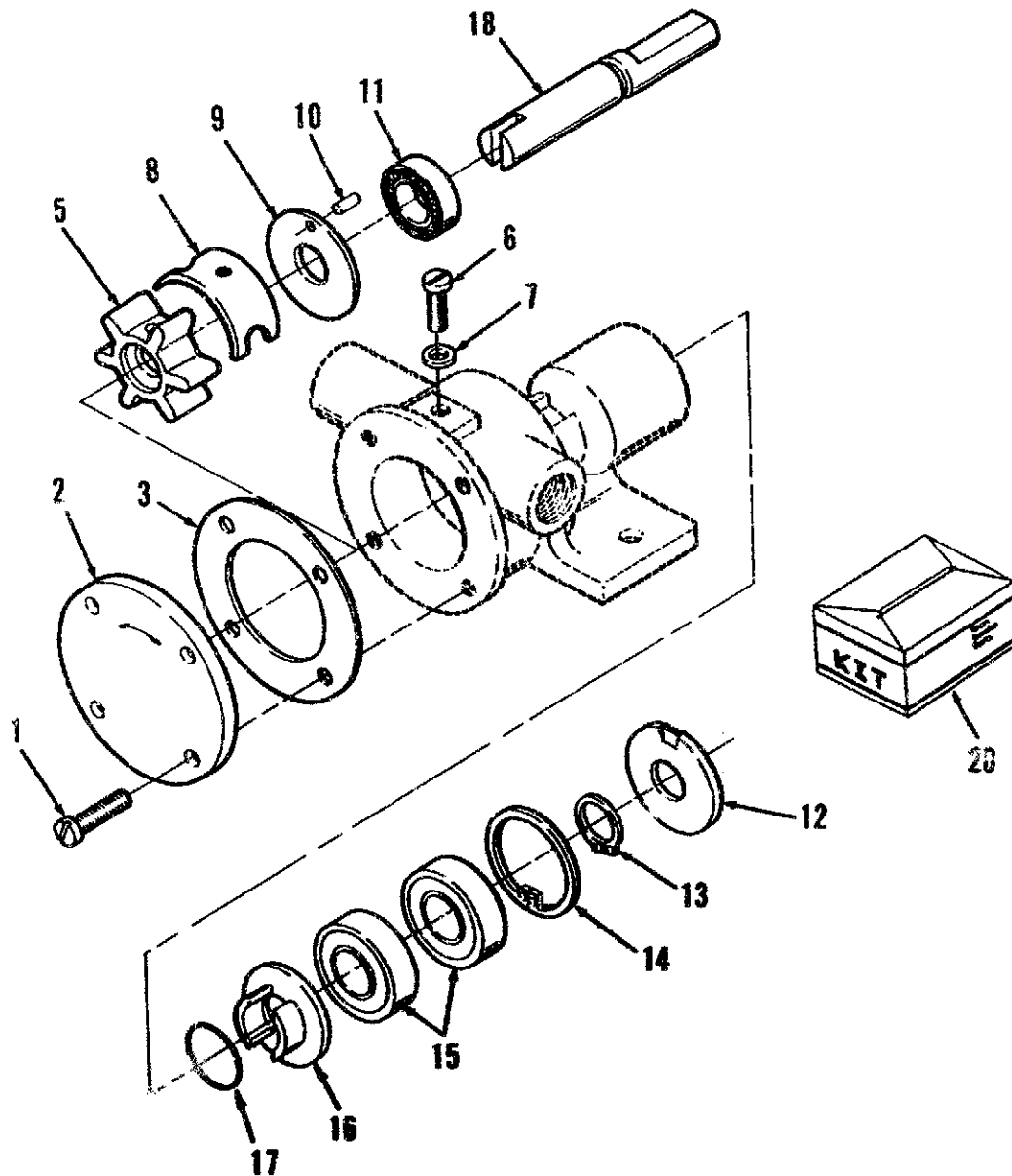
REF NO.	PART NO.	QTY USED	PART DESCRIPTION	REF NO.	PART NO.	QTY USED	PART DESCRIPTION
1	149-0554	1	Pump, Fuel - Electric	4	502-0002	1	Elbow, Male - Inverted
2	856-0006	2	Washer, Lock - EIT (1/4")	5	502-0404	1	Elbow, Male - 90°
3	862-0001	2	Nut, Hex (1/4-20)	6	332-1993	1	Terminal, Receptacle

Water Pump



REF NO.	PART NO.	QTY USED	PART DESCRIPTION	REF NO.	PART NO.	QTY USED	PART DESCRIPTION
1	800-0025	2	Screw, Cap - Hex Head (5/16-18 x 5/8")	8	512-0164	1	Pulley, Pump - Water
2	850-0045	2	Washer, Lock (5/16")	9	505-1347	1	Elbow, Street - 90°
3	131-0420	1	Bracket, Pump - Water	10	505-1346	1	Elbow, 90°
4	132-0284	1	Pump, Water (See Separate Page For Components)	11	503-3446	2	Clamp, Hose
5	815-6001	2	Bolt, Carriage (1/4-20 x 3/4")	12	503-1408	1	Hose
6	850-0040	2	Washer, Lock (1/4")	13	502-0300	1	Connector, Hose
7	862-0001	2	Nut, Hex (1/4-20")	14	502-0976	1	Adapter, Hose
				15	815-0636	1	Screw, Set - Socket Head (#10-32 x 1/2")

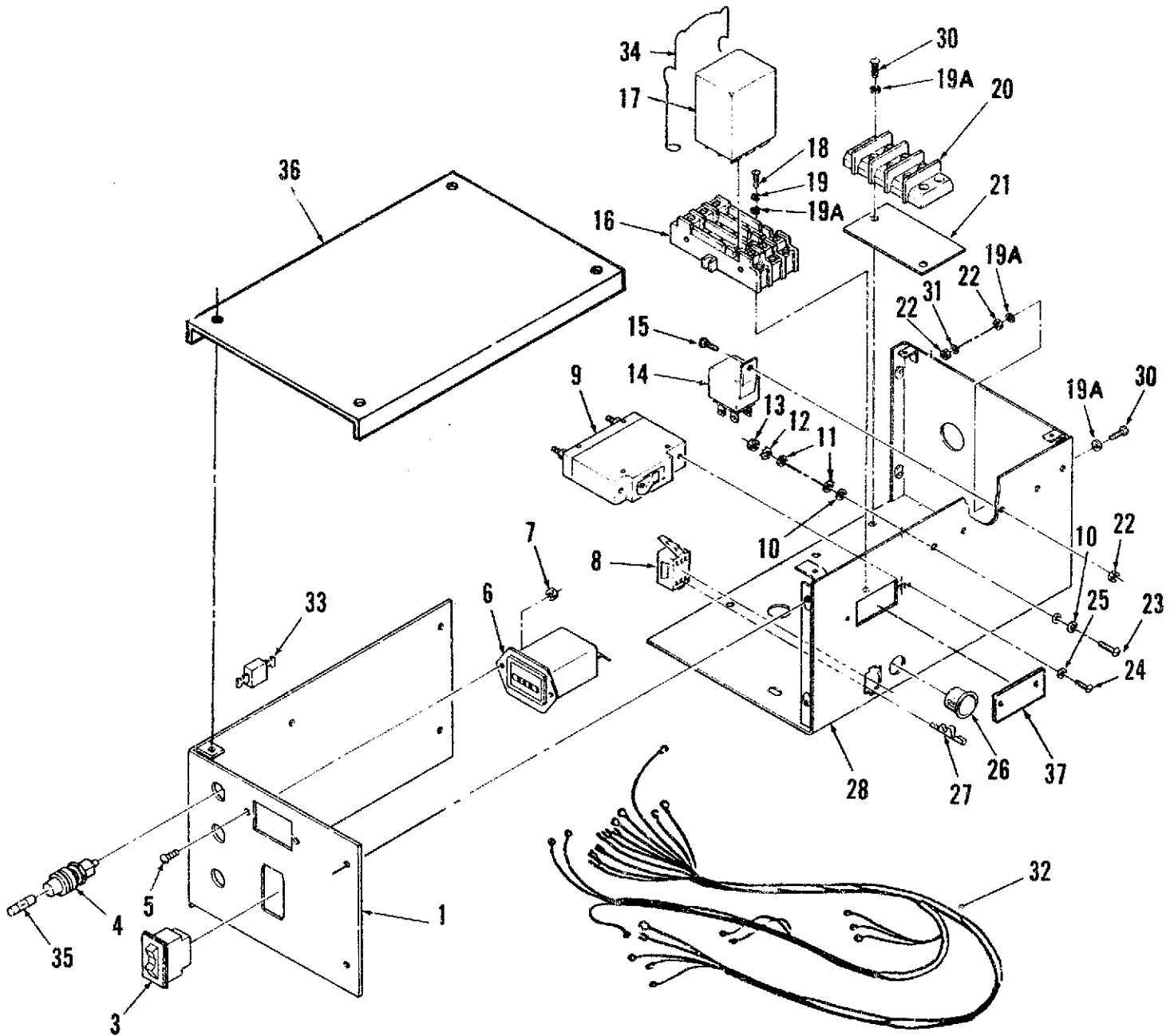
Water Pump Components



REF NO.	PART NO.	QTY USED	PART DESCRIPTION	REF NO.	PART NO.	QTY USED	PART DESCRIPTION
	132-0284	1	Pump, Water	10	132-0295	1	Pin, Straight - Solid
1	132-0312	4	*Screw, Machine - Brass Binding Head	11	132-0308	1	*Seal
2	132-0306	1	Cover, Pump - Water	12	132-0303	1	Washer, Non-Metallic
3	132-0309	1	*Gasket, Cover - Water Pump	13	132-0296	1	Ring, Retaining
5	132-0310	1	*Impeller, Pump - Water	14	132-0299	1	Ring, Retaining
6	132-0302	1	Screw, Machine - Brass Binding Head	15	132-0300	2	Bearing, Ball
7	132-0298	1	Washer, Flat - Copper	16	132-0304	1	Washer and Spacer, Pump - Water
8	132-0305	1	Cam, Pump - Water	17	132-0301	1	Ring, O
9	132-0297	1	Plate, Wear - Impeller	18	132-0307	1	Shaft, Pump - Water
				20	132-0311	1	Repair Kit, Pump - Water (Includes Parts Marked *)

* - Parts Included in Repair Kit.

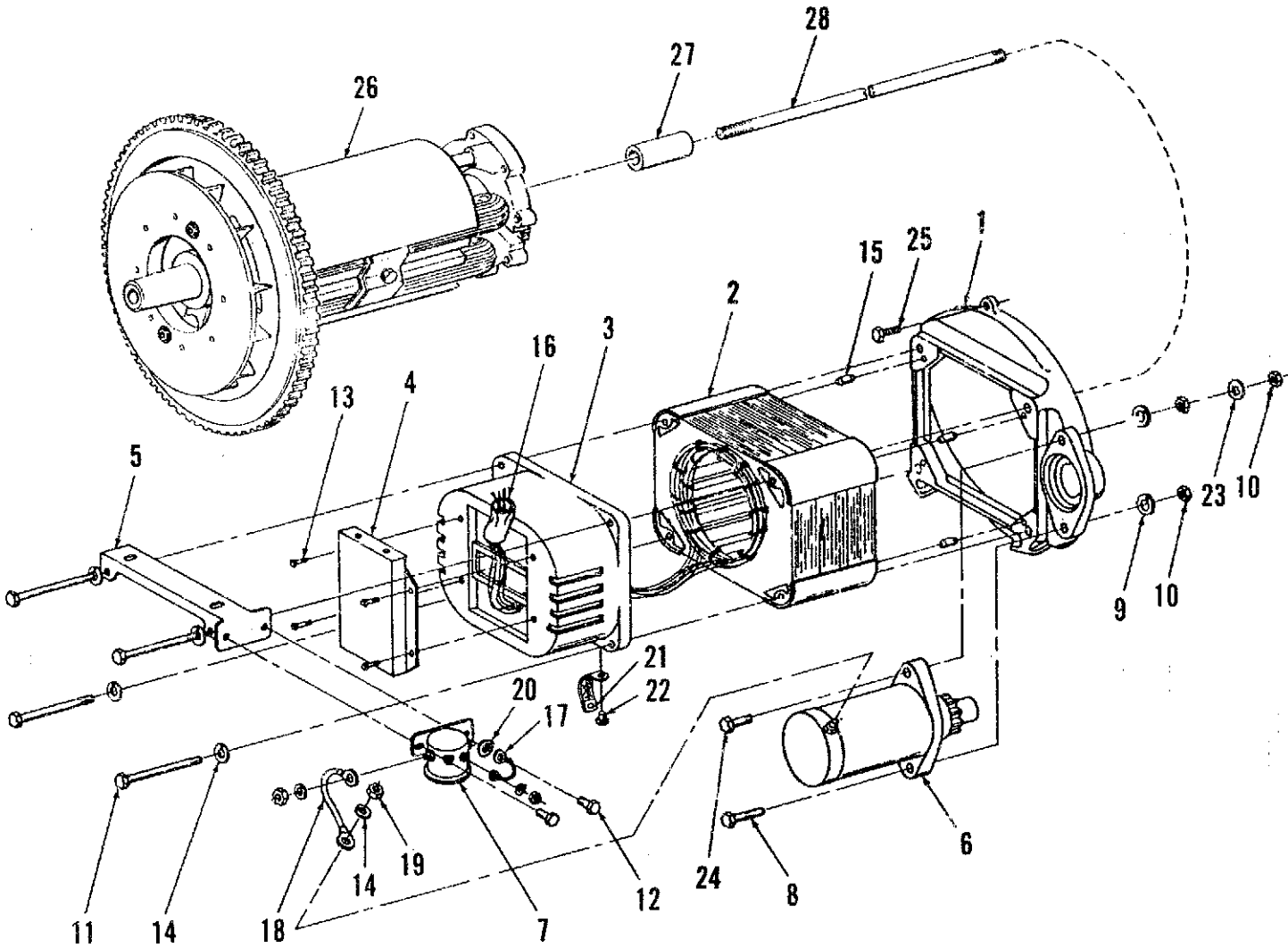
Control



Control

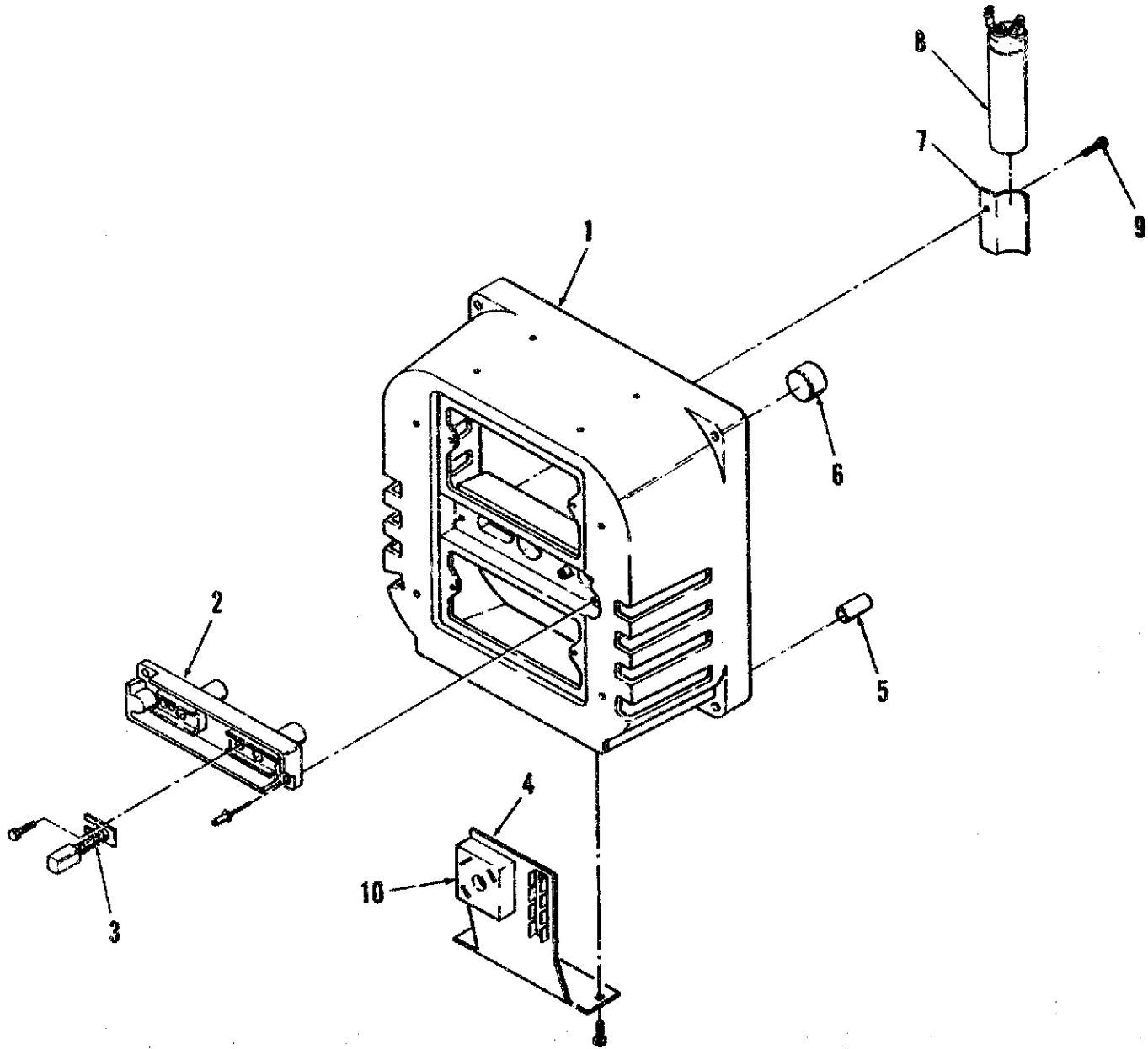
REF NO.	PART NO.	QTY USED	PART DESCRIPTION	REF NO.	PART NO.	QTY USED	PART DESCRIPTION
1	301-9245	1	Panel, Front (Control)	23	810-0082	1	Screw, Machine - Round Head, Brass (#8-32 x 3/4")
	98-5353	1	Decal, Panel - Control (Not Shown)	24	812-0059	2	Screw, Machine - Round Head (#6-32 x 1/4")
3	308-0739	1	Switch, Start/Stop	25	850-0020	2	Washer, Lock (#6)
4	321-0175	3	Holder, Fuse	26	508-0208	2	Bushing, Nylon (3/4")
5	815-0385	2	Screw, Machine - Round Head (#6-32 x 1/2")	27	323-0488	6	Connector, Socket
6	302-0885	1	Meter, Totalizing - Time	28	301-9248	1	Box, Control
7	870-1183	2	Nut, W/ET (#6-32)	30	813-0102	2	Screw, Machine - Round Head (#10-32 x 5/8")
8	323-0440	1	Plug, Socket - Housing	31	508-0016	1	Washer, Fiber (#10)
9	320-1364	1	Breaker, Circuit	32			Harness, Wiring - Control
10	508-0015	2	Washer, Fiber (#8)		338-2593	1	60 Hz Sets
11	526-0048	2	Washer, Flat (#8)		338-2043	1	50 Hz Sets
12	853-0005	1	Washer, Lock - ET (#8)	33	357-0030	2	Rectifier
13	871-0007	2	Nut, Hex (#8-32)	34	307-2726	1	Spring, Holddown
14	307-1886	3	Relay, Ignition	35			Fuse
15	821-0004	3	Screw, Machine - Lock Head (#10-32 x .31")		321-0146	2	10 Amp
16	323-1512	1	Socket, Relay		321-0256	1	15 Amp
17	307-2492	1	Relay, 3 PDT, 120 VAC	36	301-9247	1	Cover (Does Not Include Decal)
18	815-0106	2	Screw, FIL HM (#6-32 x 3/4")		98-5398	1	Decal, Wiring Diagram
19	854-0006	2	Washer, Lock - IT (#6)		98-5675	1	Decal, Wiring Diagram
19A	854-0010	4	Washer, Lock - IT (#10)	37	320-1441	1	Cover, Plate
20	332-0406		Block, Terminal		98-4325	1	Decal, Warning
21			Strip, Marker		98-4508	1	Decal, Certification
	332-2758	1	60 Hz Sets		98-5358	1	Decal, First Mate
	332-0426	1	50 Hz Sets				
22	870-0131	5	Nut, Lock- ET (#10-32)				

Generator



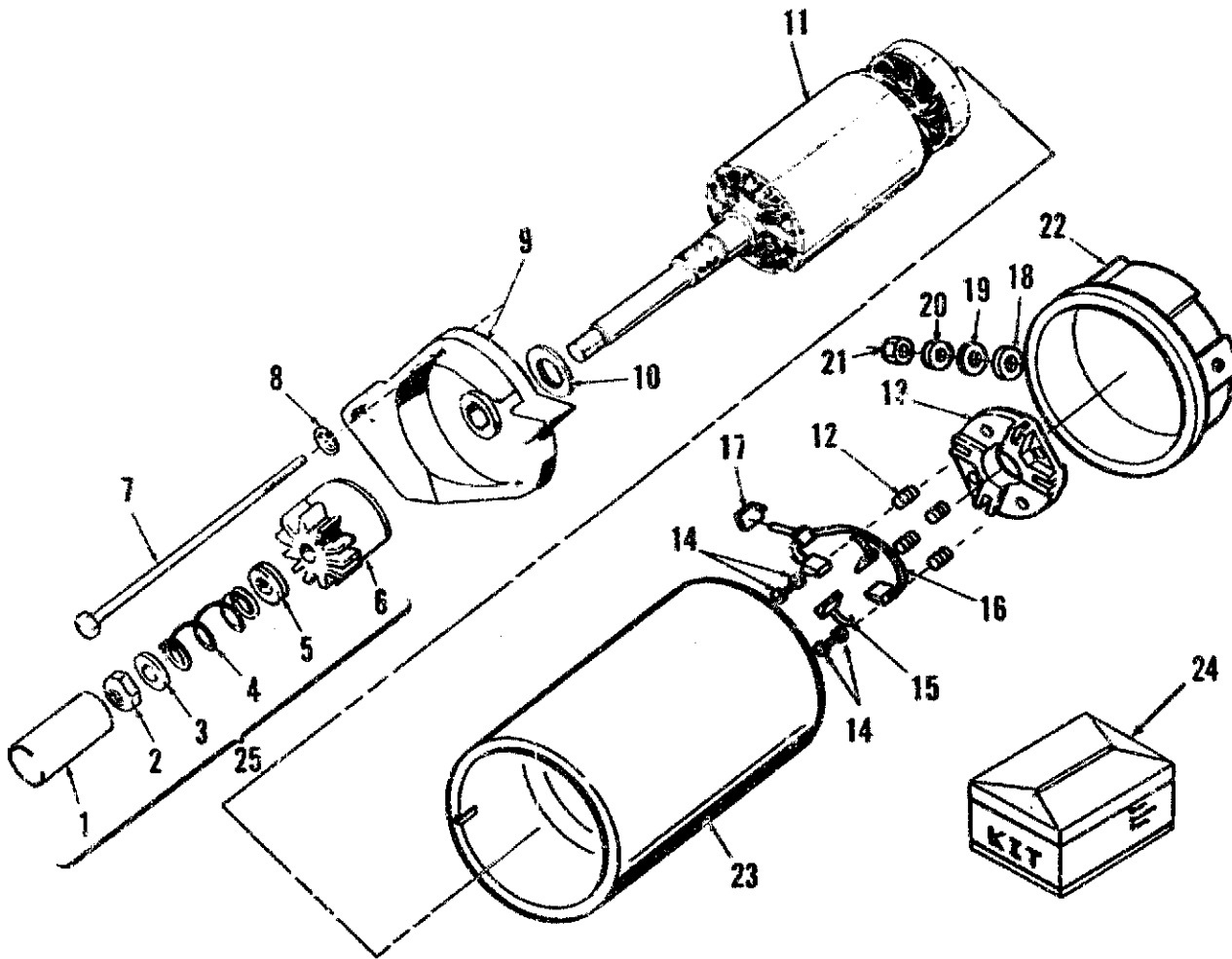
REF NO.	PART NO.	QTY USED	PART DESCRIPTION	REF NO.	PART NO.	QTY USED	PART DESCRIPTION
1	231-0273	1	Adapter, Generator	13	815-0340	4	Screw, Hex Washer Head - Thd Forming (#10-32 x 3/8")
2	220-3117	1	Code 53CR (50 Hz)	14	850-0040	5	Washer, Lock (1/4")
	220-3125	1	Code 53BR (50 Hz)	15	516-0196	4	Pin, Locating
	220-3100	1	Code 1R (60 Hz)	16	898-0045	1	Sleeving
3	211-0352	1	Bell, End (See Separate Page for Components)	17	336-0233	1	Lead, Solenoid
4	301-9244	1	Support, Rear - Control Box	18	226-3107	1	Lead, Solenoid
5	319-0688	1	Bracket, Mounting	19	862-0001	1	Nut, Hex (1/4-20")
6	191-1599	1	Starter (See Separate Page for Components)	20	856-0006	1	Washer, Lock - EIT (1/4")
7	307-1617	1	Relay, Solenoid - Electric	21	337-0059	1	Strap, Bond
8	800-0052	1	Screw, Cap - Hex Head (3/8-16 x 1-1/2")	22	815-0384	1	Screw, Hex Washer Head - Thd Forming (3/8-16 x 3/4")
9	850-0050	2	Washer, Lock (3/8")	23	856-0010	1	Washer, Lock - EIT (3/8")
10	862-0003	3	Nut, Hex (3/8-16")	24	800-0054	1	Screw, Cap - Hex Head (3/8-16 x 2")
11	800-0187	4	Screw, Cap - Hex Head (1/4-20 x 5")	25	800-1030	3	Screw, Cap - Hex Head (5/16-18 x 1-1/4")
12	821-0009	2	Screw, Lock - Flange (1/4-20 x 3/8")	26	201-3284	1	Rotor, Generator
				27	202-0674	1	Sleeve, Stud
				28	520-0954	1	Stud (Special)

End Bell



REF NO.	PART NO.	QTY USED	PART DESCRIPTION	REF NO.	PART NO.	QTY USED	PART DESCRIPTION
1	211-0352	1	Bell, End - Generator	7	312-0194	1	Bracket, Mounting - Capacitor
2	212-1249	1	Guide, Brush	8	356-0056	1	Capacitor
3	214-0099	2	Brush	9	815-0395	1	Screw, Hex Head - Thread Forming (#6-32 x 3/8")
4	232-2841	1	Bracket and Rectifier	10	305-0548	1	Rectifier, Bridge
5	516-0196	4	Pin				
6	510-0107	1	Bearing, Roller				

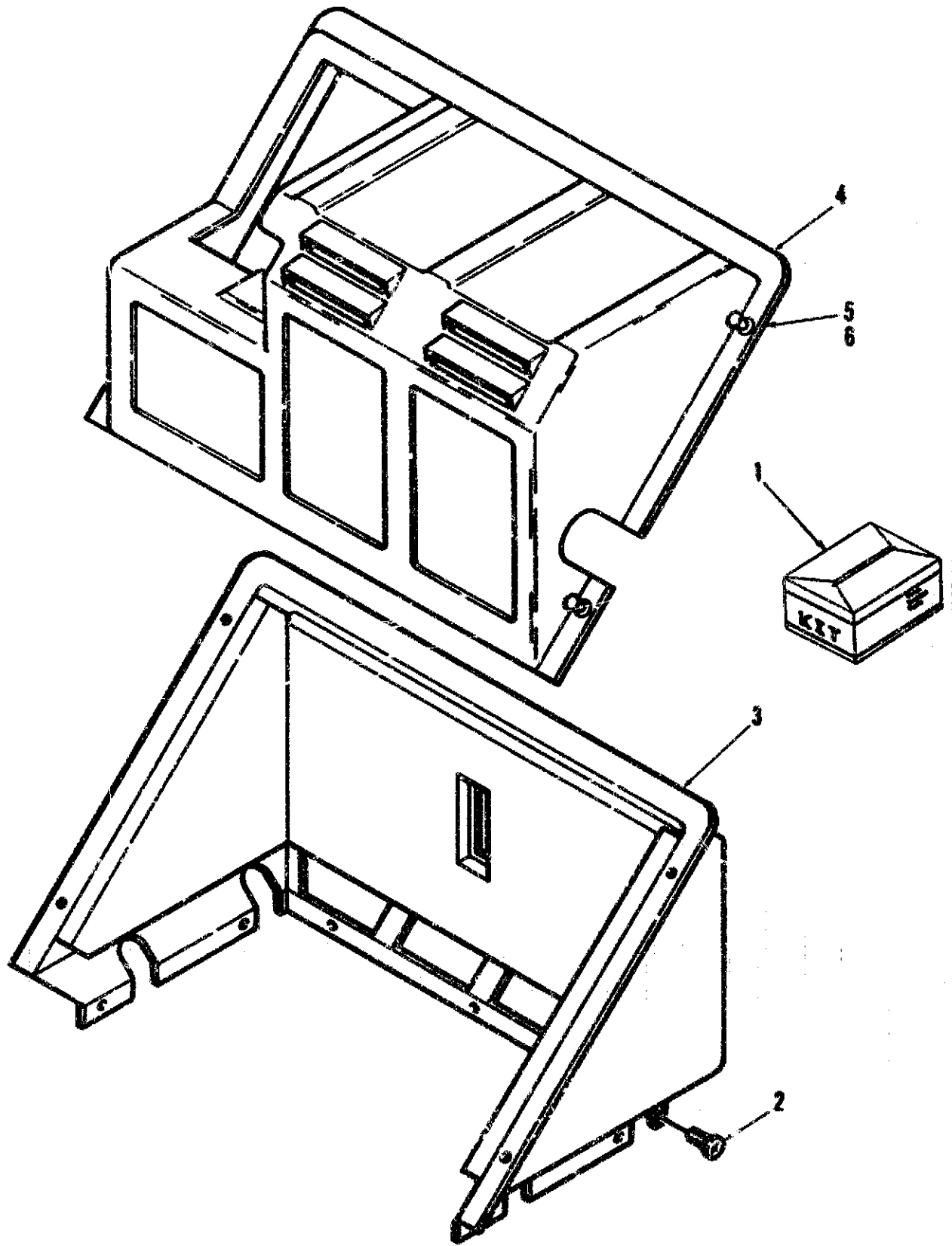
Starter Components



REF NO.	PART NO.	QTY USED	PART DESCRIPTION	REF NO.	PART NO.	QTY USED	PART DESCRIPTION
1	NFS	1	#Cover, Dust	16	NFS	1	*†Stud and Brush, Input
2	NFS	1	#Nut, Stop	17	NFS	1	†Bushing, Insulation - Input Stud
3	NFS	1	#Washer, Stop Nut	18	NFS	1	†Washer, Insulation - Input Stud
4	NFS	1	#Spring, Anti-drift	19	NFS	1	†Washer, Flat - Input Stud
5	NFS	1	#Spacer, Cover - Dust	20	NFS	1	†Washer, Lock - Input Stud
6	191-1156	1	Drive, Starter	21	NFS	1	†Nut, Securing - Input Stud
7	191-1048	2	Screw, Cap - Hex	22	191-1040	1	Cap, Commutator (Includes Parts Marked †)
8	850-0040	2	Washer, Lock - IT (1/4")	23		1	Housing, Starter Motor
9	191-1633	1	Cap, End - Drive	24	191-1041	1	Repair Kit, Brush, Spring and Stud (Includes Parts Marked *)
10	191-1038	1	Washer, Thrust - Armature	25	191-1359	1	Cover, Dust (Includes Parts Marked #)
11	191-1039	1	Armature, Starter				
12	NFS	4	*†Spring, Brush				
13	NFS	1	†Holder, Brush				
14	NFS	2	†Screw and Lockwasher				
15	NFS	2	*†Brush, Ground				

† - Included in the 191-1040 End Drive Cap.
 * - Included in the 191-1041 Brush, Spring and Stud Kit.
 # - Included in the 191-1359 Dust Cover.

Housing

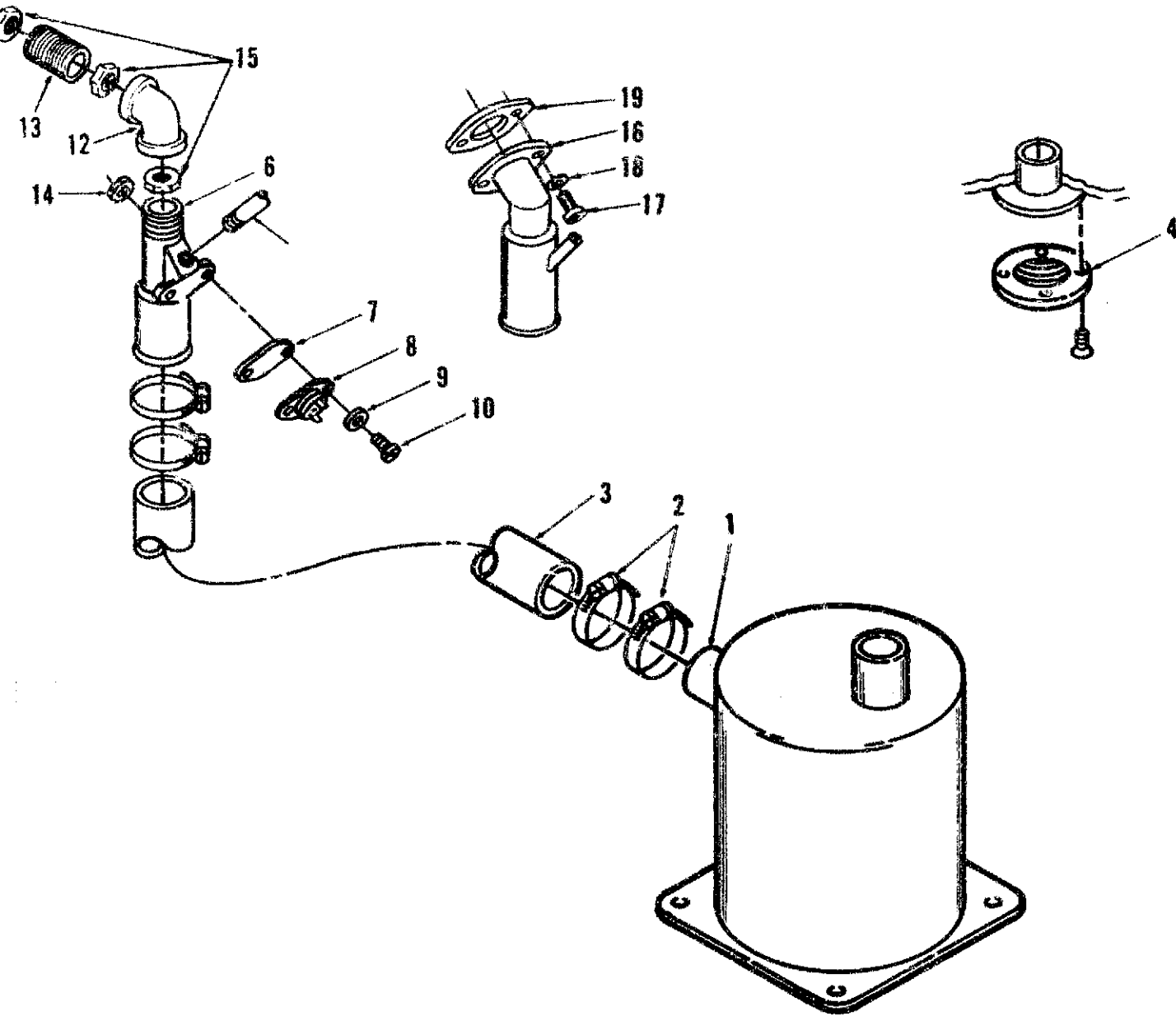


REF NO.	PART NO.	QTY USED	PART DESCRIPTION	REF NO.	PART NO.	QTY USED	PART DESCRIPTION
1	405-3451	1	Housing Kit, Set (Includes Parts Marked *)	3	405-3450	1	*Housing, Bottom
2	821-0010	7	*Screw, Lock - Hex Head (1/4-20 x 1/2")	4	405-3449	1	*Housing, Top
				5	406-0588	4	Latch
				6	406-0589	4	Grommet

* Parts Included In Set Housing Kit

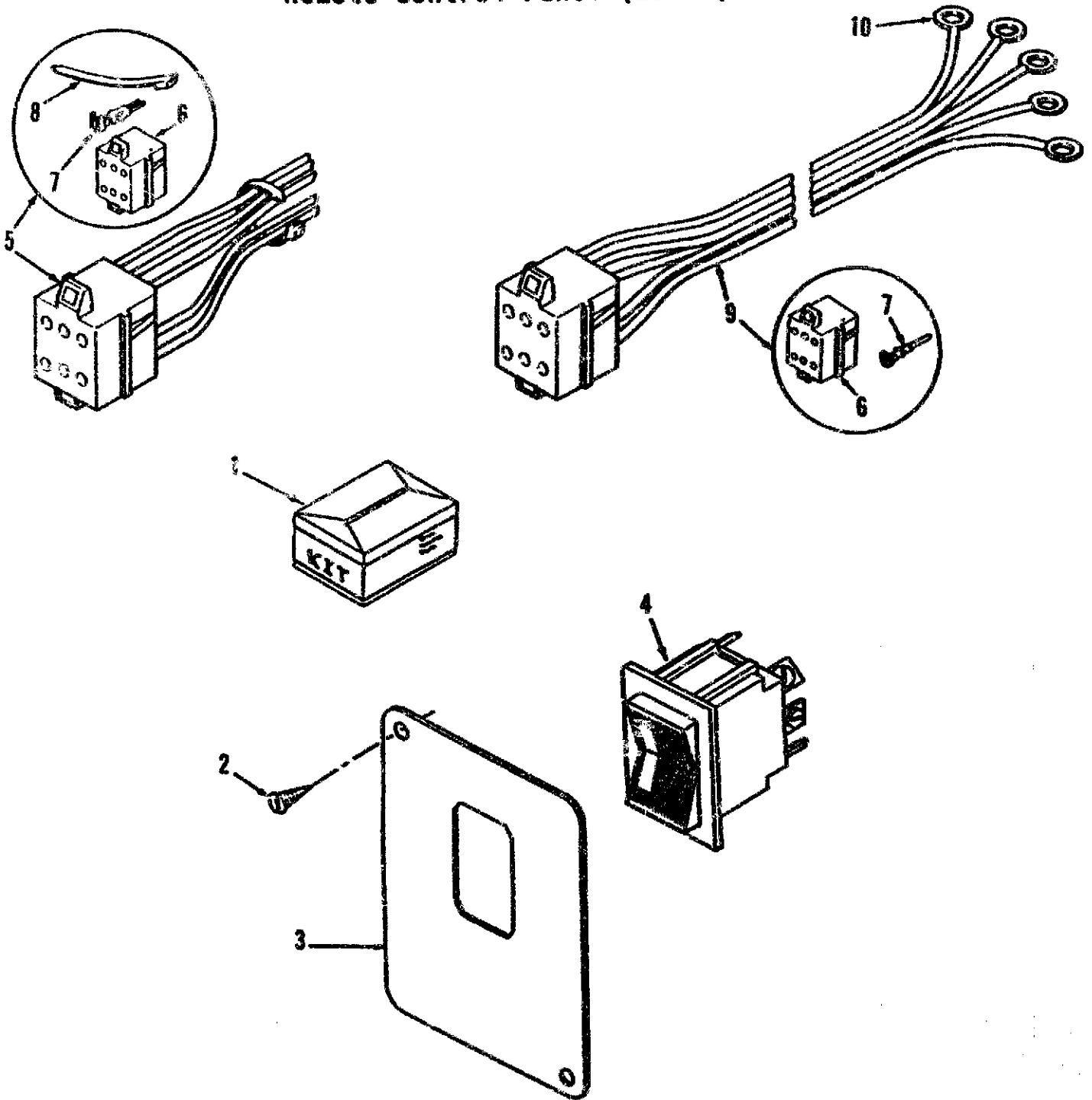
Reproduction or publication of this document by any means, is strictly prohibited.

Muffler



REF NO.	PART NO.	QTY USED	PART DESCRIPTION	REF NO.	PART NO.	QTY USED	PART DESCRIPTION
1	155-2108	1	Muffler Kit (Includes Muffler, Clamps and Strainer)	12	505-1349	1	Elbow, Pipe - 45° (Spec A Only)
2	503-0429	8	Clamp, Hose	13	505-1348	1	Nipple, Close (Stainless) (Spec A Only)
3	503-1410		Hose, Bulk	14	870-1183	1	Nut, Hex (#6-32)
4	155-1002	1	Strainer, Slotted	15	331-0038	1	Nut, Lock - Conduit (3/4")
5	502-0941	1	Connector, Hose (Spec A Only)	16	154-2667	1	Manifold, Exhaust (Spec B Only)
6	154-2579	1	Manifold, Exhaust (Spec A Only)	17	802-0034	2	Screw, Socket Head (1/4-20 x 3/4") (Spec B Only)
7	309-0501	1	Shield, Switch	18	850-0040	2	Washer, Lock (1/4") (Spec B Only)
8	309-0484	1	Switch, Temperature - High Exhaust	19	155-2266	1	Gasket, Manifold - Exhaust (Spec B Only)
9	856-0001	2	Washer, Lock (#6)				
10	812-0064	2	Screw, Machine - Round Head (#6-32 x 9/16")				

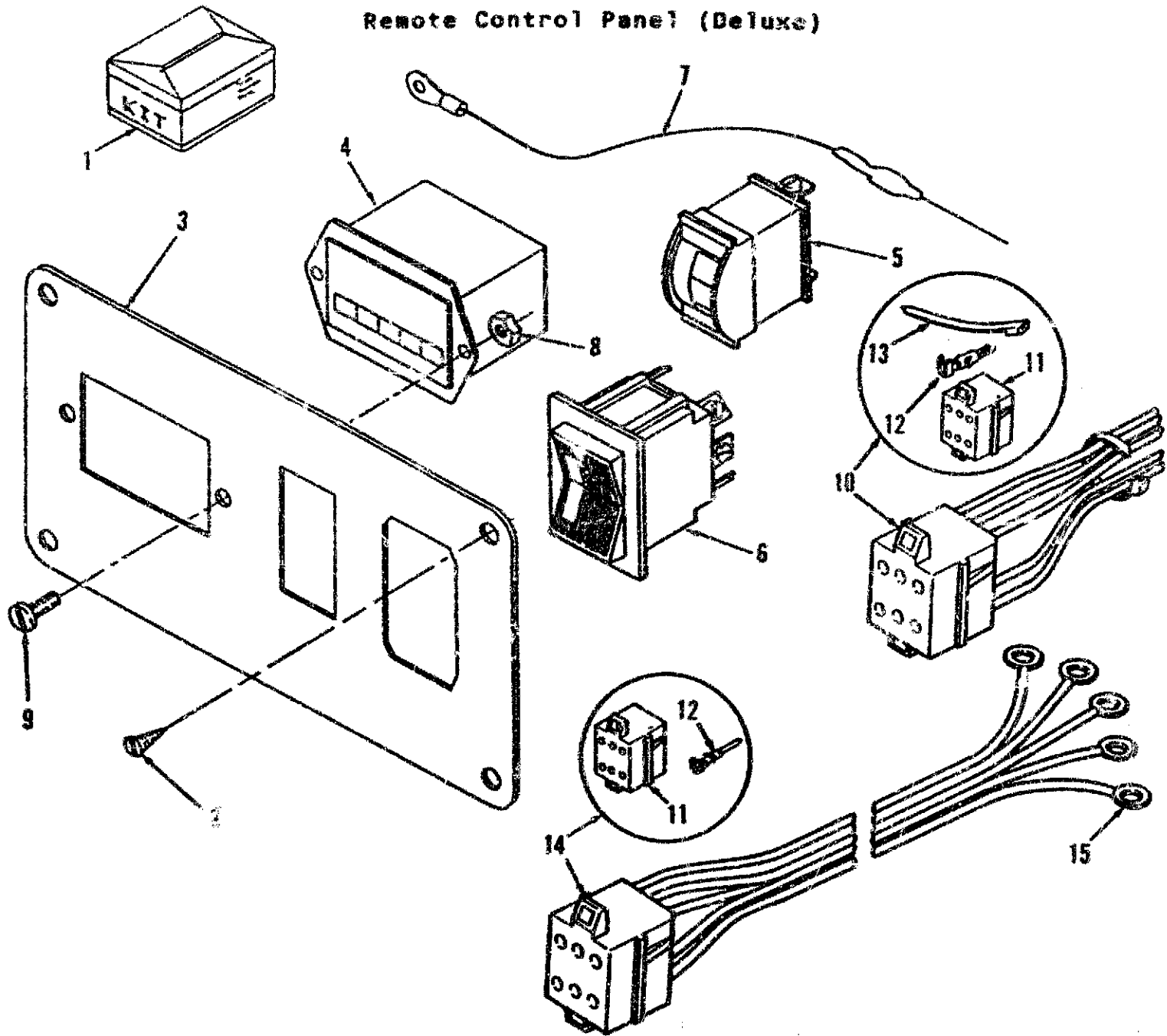
Remote Control Panel (Basic)



REF NO.	PART NO.	QTY USED	PART DESCRIPTION	REF NO.	PART NO.	QTY USED	PART DESCRIPTION
1	300-3060	1	Panel Kit, Control - Remote (Basic) (Includes Parts Marked *)	9			Harness, Wiring (Includes Parts Marked †)
2	815-0380	2	*Screw, Wood - Oval Head - Cross Recessed (#5 x 1/2")		338-1080	1	Ten Feet
3	301-3566	1	*Panel, Control		338-1081	1	Thirty Feet
4	308-0827	1	*Switch, Rocker	10	332-0801	5	Terminal Ring (Size #6)
5	338-1082	1	Harness, Wiring - 6' (Includes Parts Marked ‡)				
6	323-0400	1	†Housing, Pin				
7	323-0500	5	‡Pin, Connector				
8	332-0842	1	#Pre. Cable				

* - Parts Included in 300-3060 Remote Control Panel Kit.
 † - Parts Included in 338-1082 Wiring Harness.
 ‡ - Parts Included in 338-1080 and 338-1081 Wiring Harness.

Remote Control Panel (Deluxe)



REF NO.	PART NO.	QTY USED	PART DESCRIPTION
1	300-3062	1	Panel Kit, Control - Remote (Deluxe) (Includes Parts Marked *)
2	815-0380	4	*Screw, Wood - Oval Head - Cross Recessed (#5 x 1/2")
3	301-3606	1	*Panel, Control
4	302-0885	1	*Meter, Totalizing - Time
5	302-0888	1	*Meter, Condition - Battery
6	308-0827	1	*Switch, Rocker
7	359-0034	1	*Diode and Lead
8	860-0005	2	*Nut, Hex (#6-32)
9	815-0385	2	*Screw, Machine - Round Head (6-32 x 1/2")
10	338-1082	1	Harness, Wiring - 6" (Includes Parts Marked #)

REF NO.	PART NO.	QTY USED	PART DESCRIPTION
11	323-0400	1	*Housing, Pin
12	323-0500	5	*Pin, Connector
13	332-0942	1	*Tie, Cable
14	338-1080	1	Harness, Wiring (Includes Parts Marked *)
	338-1081	1	Tie, Feet
15	332-0801	5	*Terminal, Ring (Size #6)

* - Parts Included in 300-3062 Remote Control Panel Kit.
 # - Parts Included in 338-1082 Wiring Harness.
 * - Parts Included in 338-1080 and 338-1081 Wiring Harness.

Numerical Index

Part No.	Page	Part No.	Page	Part No.	Page	Part No.	Page
308-0739	19	402-0569	10	516-0117	9	812-0148	14
308-0927	25	403-2296	10	516-0196	20	813-0102	19
308-0827	26	403-2298	10	516-0196	21	815-0046	9
309-0002	5	405-1039	7	517-0041	5	815-0106	19
309-0004	7	405-3449	23	517-0048	5	815-0110	11
309-0068	7	405-3450	23	518-0006	9	815-0285	11
309-0322	8	405-3451	23	518-0012	7	815-0290	9
309-0484	24	406-0588	23	518-0049	14	815-0290	13
309-0501	24	406-0589	23	518-0265	11	815-0340	20
309-0538	7	501-0513	11	518-0387	11	815-0380	25
309-0539	7	502-0002	15	520-0143	7	815-0380	26
312-0097	14	502-0029	7	520-0535	7	815-0384	20
312-0194	21	502-0138	11	520-0870	11	815-0385	19
319-0688	20	502-0300	16	520-0953	11	815-0385	26
320-1364	19	502-0404	15	520-0954	20	815-0395	21
320-1441	19	502-0433	7	520-0956	11	815-0636	16
321-0146	19	502-0941	24	526-0048	11	816-0051	16
321-0175	19	502-0976	16	526-0048	19	821-0004	19
321-0256	19	503-0304	7	526-0049	14	821-0005	13
323-0400	25	503-0429	24	526-0063	7	821-0009	20
323-0400	26	503-0446	7	526-0063	14	821-0010	10
323-0440	19	503-0446	16	526-0115	10	821-0010	23
323-0483	19	503-0654	7	526-0122	7	850-0020	19
323-0500	25	503-1408	16	526-0214	13	850-0025	11
323-0500	26	503-1410	24	526-0324	10	850-0030	11
323-0801	25	505-0054	8	526-0333	10	850-0040	8
323-1512	19	505-0274	8	800-0006	11	850-0040	11
331-0038	24	505-1346	16	800-0007	8	850-0040	13
332-0284	14	505-1347	16	800-0015	7	850-0040	16
332-0319	14	505-1348	24	800-0025	16	850-0040	20
332-0406	19	505-1349	24	800-0029	5	850-0040	22
332-0426	19	508-0015	19	800-0031	9	850-0040	24
332-0527	11	508-0016	14	800-0033	10	850-0045	5
332-0801	26	508-0016	19	800-0034	9	850-0045	9
332-1993	15	508-0017	14	800-0047	10	850-0045	10
332-2758	19	508-0208	19	800-0052	20	850-0045	16
336-0233	20	509-0008	9	800-0054	20	850-0050	8
337-0059	20	509-0012	9	800-0056	8	850-0050	10
338-1080	25	509-0041	5	800-0081	13	850-0050	20
338-1080	26	510-0008	9	800-0187	20	850-0055	13
338-1081	25	510-0013	9	800-0308	11	853-0005	19
338-1081	26	510-0014	9	800-0308	20	853-0013	11
338-1082	25	510-0015	7	802-0034	14	854-0006	19
338-1082	26	510-0107	21	802-0034	24	854-0007	5
338-2043	19	511-0148	13	810-0082	19	854-0007	13
338-2593	19	512-0164	16	812-0059	19	854-0010	14
356-0056	21	512-0168	13	812-0064	24	854-0010	19
357-0030	19	515-0001	7	812-0075	5	854-0014	7
359-0034	26	515-0113	13	812-0075	13	854-0014	14
402-0550	10	516-0012	5	812-0085	11	856-0001	24

Numerical Index

Part No.	Page	Part No.	Page	Part No.	Page	Part No.	Page
856-0006	15						
856-0006	20						
856-0010	20						
860-0005	26						
862-0001	15						
862-0001	16						
862-0001	20						
862-0003	20						
868-0001	11						
869-0002	7						
870-0053	9						
870-0131	9						
870-0131	11						
870-0131	19						
870-0153	10						
870-1183	19						
870-1183	24						
871-0007	19						
871-0010	14						
898-0045	20						