

The following catalog has gaps in its page numbers, or doesn't have any numbers. We have chosen to leave the page numbering in the order that Acrobat assigns it.

## FICHE LOCATION

## ILLUSTRATION

1 A3 \*\*\*\*\* DATA TABLE

1 A11 \*\*\*\*\* CARBURETOR PARTS GROUP

1 A13 \*\*\*\*\* CONTROL GROUP

1 A7 \*\*\*\*\* CRANKSHAFT, FLYWHEEL, CAMSHAFT & PISTON GROUP

1 A5 \*\*\*\*\* CYLINDER BLOCK GROUP

1 A9 \*\*\*\*\* FUEL PUMP PARTS GROUP

1 A9 \*\*\*\*\* FUEL SYSTEM GROUP

1 A5 \*\*\*\*\* GEAR COVER & OIL BASE GROUP

1 A13 \*\*\*\*\* GENERATOR GROUP

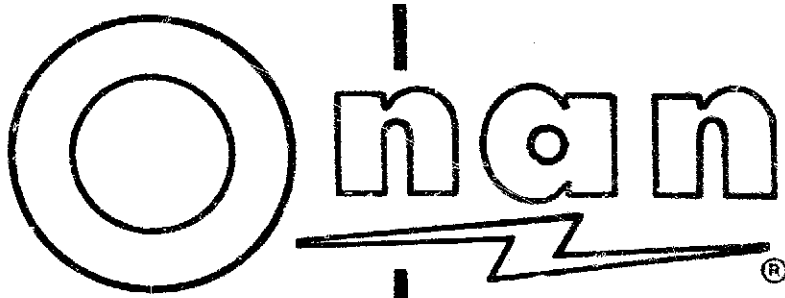
1 A7 \*\*\*\*\* IGNITION GROUP

1 B1 \*\*\*\*\* READI-PULL STARTER GROUP - KEY 1

1 E1 \*\*\*\*\* SERVICE KITS & MISCELLANEOUS

1 A11 \*\*\*\*\* THERMO-MAGNETIC CHOKE GROUP - KEY 2

1 A11 \*\*\*\*\* THROTTLE CONTROL & HOUSING GROUP



**OPERATORS MANUAL  
AND PARTS CATALOG**

FOR  
**ELECTRIC GENERATING SETS**

**NB  
SERIES**

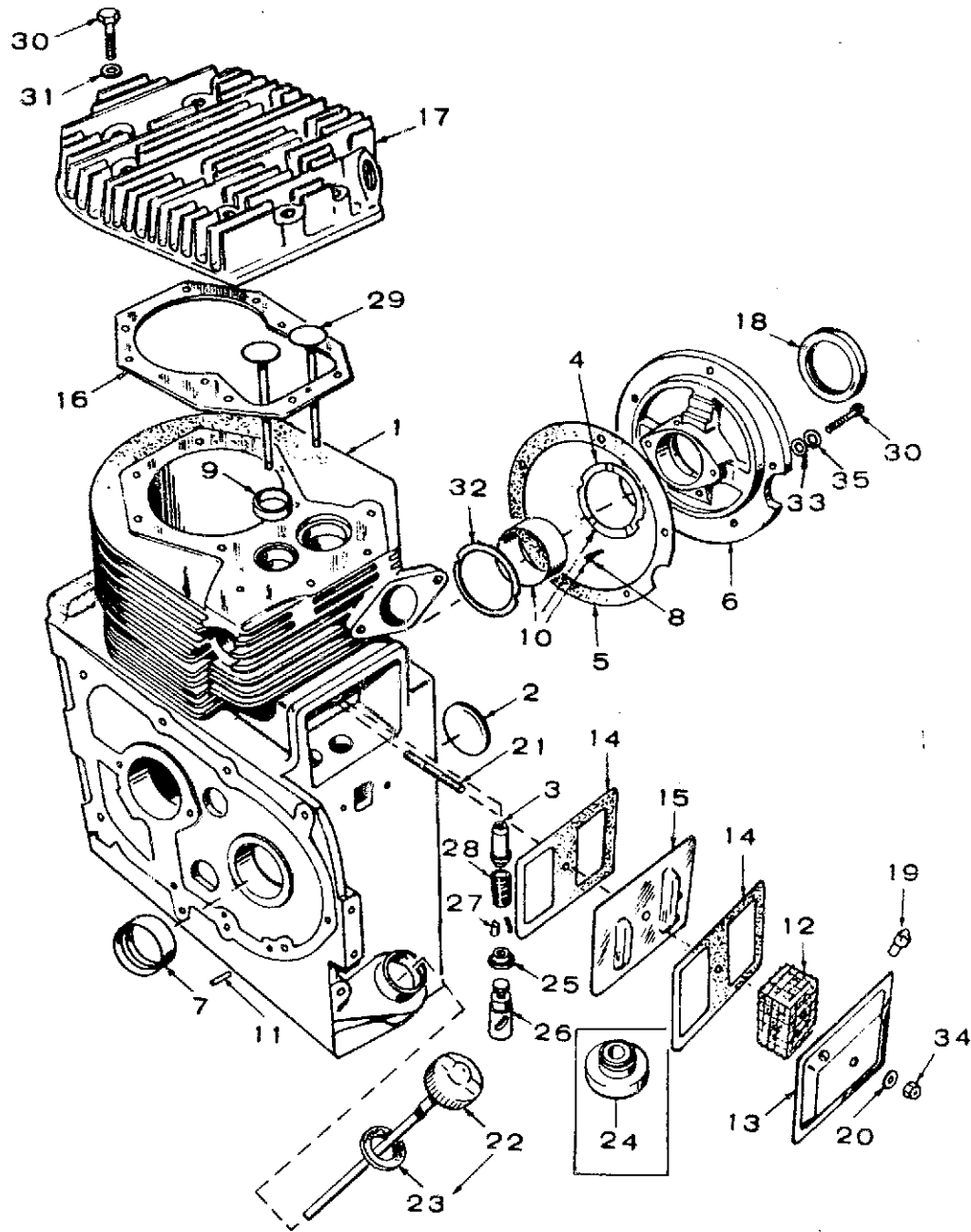
This catalog applies to the standard NB Series generating sets as listed in the Generating Set Data Table. Each illustrated part is identified by a reference number corresponding to the same reference number in the parts list for the group. Parts illustrations are typical. Using the MODEL and SPEC NO. from the generating set nameplate, select the Parts Key No. (1, 2, etc. in the last column) that applies to your generating set Model and Spec No. This Parts Key No. represents parts that differ between models. Unless otherwise mentioned in the description, parts are interchangeable between models. Right and left sides are determined by FACING the engine end (front) of the set.

**GENERATING SETS DATA TABLE**

MODEL & SPEC NO.	ELECTRICAL DATA				TYPE OF STARTING	PARTS KEY NO.
	WATTS	VOLTS	HERTZ	PHASE		
2.3NB-53CM/*	2250	120/240	50	1	MANUAL	1
3.0NB-3CM/*	3000	120/240	60	1	MANUAL	1
2.3NB-53CR/*	2250	120/240	50	1	REMOTE	2
3.0NB-3CR/*	3000	120/240	60	1	REMOTE	2

\* - The Specification Letter sequences (A to B, B to C, etc.) with manufacturing changes.

# CYLINDER BLOCK GROUP



REF. NO.	PART NO.	QTY. USED	PART DESCRIPTION
1	110-1823	1	Block Assy., Cylinder - Includes Parts Marked *
2	517-0048	1	*Plug, Camshaft Expansion
3	GUIDE, VALVE		
	110-1762	1	*Intake
	110-1763	1	*Exhaust
4	104-0575	2	*Washer, Crankshaft Bearing Thrust
5	101-0415	1	*Gasket, Bearing Plate
6	101-0409	1	*Plate, Rear Bearing (Excludes Bearing)
7	101-0367	2	*Bearing, Camshaft Front and Rear (Precision)
8	516-0072	4	*Pin, Main Bearing Stop

REF. NO.	PART NO.	QTY. USED	PART DESCRIPTION
9	INSERT, EXHAUST VALVE SEAT		
	110-1751	1	*Standard
	110-1751-02	1	.002 " Oversize
	110-1751-05	1	.005 " Oversize
	110-1751-10	1	.010 " Oversize
	110-1751-25	1	.025 " Oversize
10	BEARING, CRANKSHAFT		
	101-0427	2	*Standard
	101-0427-02	2	.002 " Undersize
	101-0427-10	2	.010 " Undersize
	101-0427-20	2	.020 " Undersize
	101-0427-30	2	.030 " Undersize
11	516-0011	2	*Pin, Gear Cover Locating
12	123-0996	1	Filter, Valve Compartment
13	110-1782	1	Cover, Valve Compartment
14	110-1791	2	Gasket, Valve Compartment
15	110-1783	1	Barile, Valve Compartment

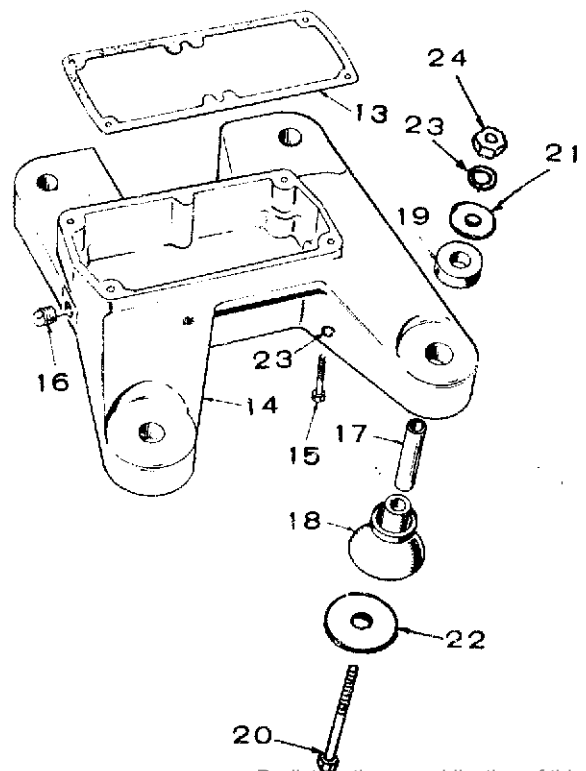
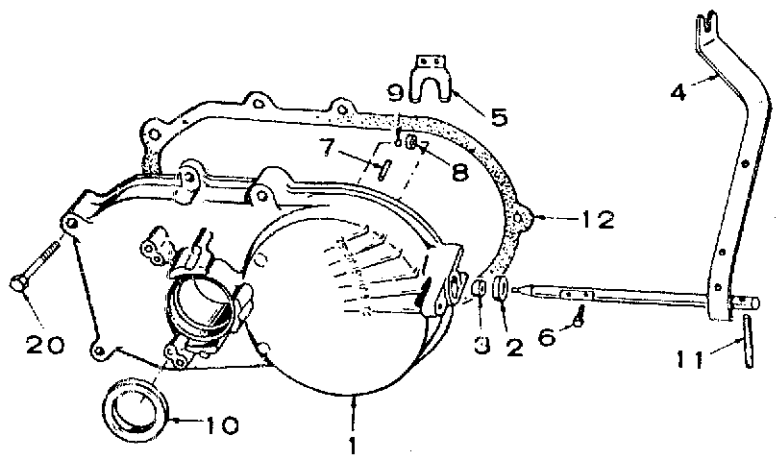
REF. NO.	PART NO.	QTY. USED	PART DESCRIPTION
16	110-1731	1	Gasket, Cylinder Head
17	110-1733	1	Head, Cylinder
18	509-0041	1	Seal, Bearing Plate
19	123-0486	1	Valve, Breather
20	526-0063	1	Washer (Copper) Valve Compartment Cover
21	520-0746	1	Stud, Valve Box Cover
22	123-1134	1	Cap and Indicator Oil Fill
23	123-0191	1	Gasket, Oil Fill Cap
24	110-0904	1	Rotocap, Valve Exhaust
25	110-0893	1	Washer, Valve Spring Retainer - Intake
26	TAPPET, VALVE		
	115-0006	2	Standard
	115-0006-05	2	.005" Oversize
27	110-0639	4	Lock, Valve and Spring Retainer
28	110-0539	2	Spring, Valve

REF. NO.	PART NO.	QTY. USED	PART DESCRIPTION
29	VALVE		
	110-1718	1	Intake
	110-1719	1	Exhaust (Stellite)
30	SCREW, HEX HEAD CAP		
	102-0455	4	Cylinder Head (3/8-16 x 1-3/4")
	800-0515	4	Cylinder Head (3/8-16 x 1-3/4")
	800-0516	2	Cylinder Head (3/8-16 x 2")
	800-0517	5	Bearing Plate (3/8-16 x 1")
31	526-0174	10	Washer, Flat - Cylinder Head
32	104-0776	As Req.	*Shim, Crankshaft Thrust (.005)
33	850-0050	5	Washer, Lock - Bearing Plate Mounting
34	862-0001	1	Nut, Hex - Valve Cover Mount
35	526-0251	5	Flatwasher - Bearing Plate Mt (3/8)

\* - Parts Contained in Cylinder Block Assembly.

### GEAR COVER AND OIL BASE GROUP

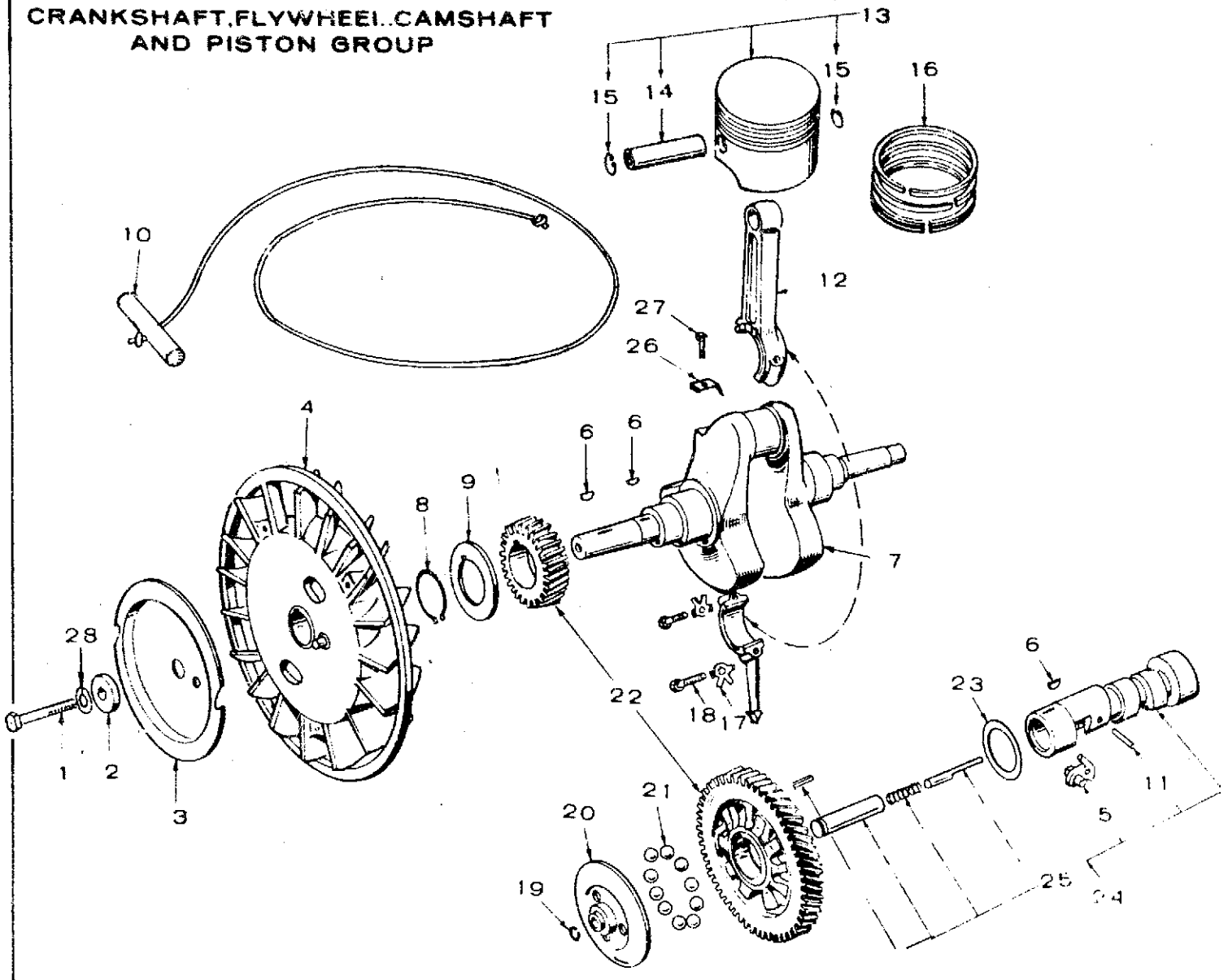
REF. NO.	PART NO.	QTY. USED	PART DESCRIPTION
1	103-0361	1	Cover Assembly, Gear Includes Parts Marked *
2	509-0008	1	*Seal, Oil - Governor Shaft
3	510-0013	1	*Bearing, Governor Shaft (Upper)
4	150-1258	1	*Shaft and Arm, Governor
5	150-1187	1	*Yoke, Governor Shaft
6	815-0046	2	*Screw, Yoke Retaining
7	516-0130	1	*Pin, Governor Cup Stop (In Gear Cover)
8	510-0008	1	*Bearing, Governor Shaft (Lower)
9	510-0014	1	*Ball, Bearing - Governor Shaft
10	509-0040	1	*Seal, Gear Cover
11	150-0096	1	*Stud, Governor Sensitivity
12	130-0011	1	Gasket, Gear Cover
13	102-0107	1	Gasket, Oil Base Mounting Base, Oil
14	102-0625	1	
15	800-0056	4	Screw, Cap - Oil Base to Block (3/8-16 x 2-1/2")
16	505-0110	1	Plug, Oil Drain (3/8")
17	402-0290	4	*Bushing, Mounting Cushions
18	402-0283	4	Cushion, Mounting
19	402-0282	4	*Snubber, Cushion
20	SCREW, HEX CAP		
	800-0032	4	Gear Cover Mounting - 5/16-18, x 1-3/4"
	800-0034	1	Gear Cover Mounting - 5/16-18 x 2-1/4"
	800-0082	4	*Unit Mounting
21	526-0014	4	*Washer (29/64 I.D. x 1-1/2" O.D. x 1/8")
22	WASHER		
	526-0195	4	*29/64" I.D. x 3-1/4" O.D. x 1/8"
	526-0198	As Req.	*5/8" I.D. x 1-1/2" O.D. x 1/16"
23	WASHER, LOCK		
	850-0045	5	Gear Cover Mounting
	850-0050	4	Oil Base Mounting
	850-0055	4	*Set Mounting
24	862-0004	4	*Nut, Hex - Set Mounting
	402-0364	1	Hardware Package, Set Mtg. (For all four mounts) - Includes Parts Marked *



\* - Parts Contained in Gear Cover Assembly.  
★ - Parts Contained in Set Mounting Hardware Package.

Redistribution or publication of this document  
by any means, is strictly prohibited.

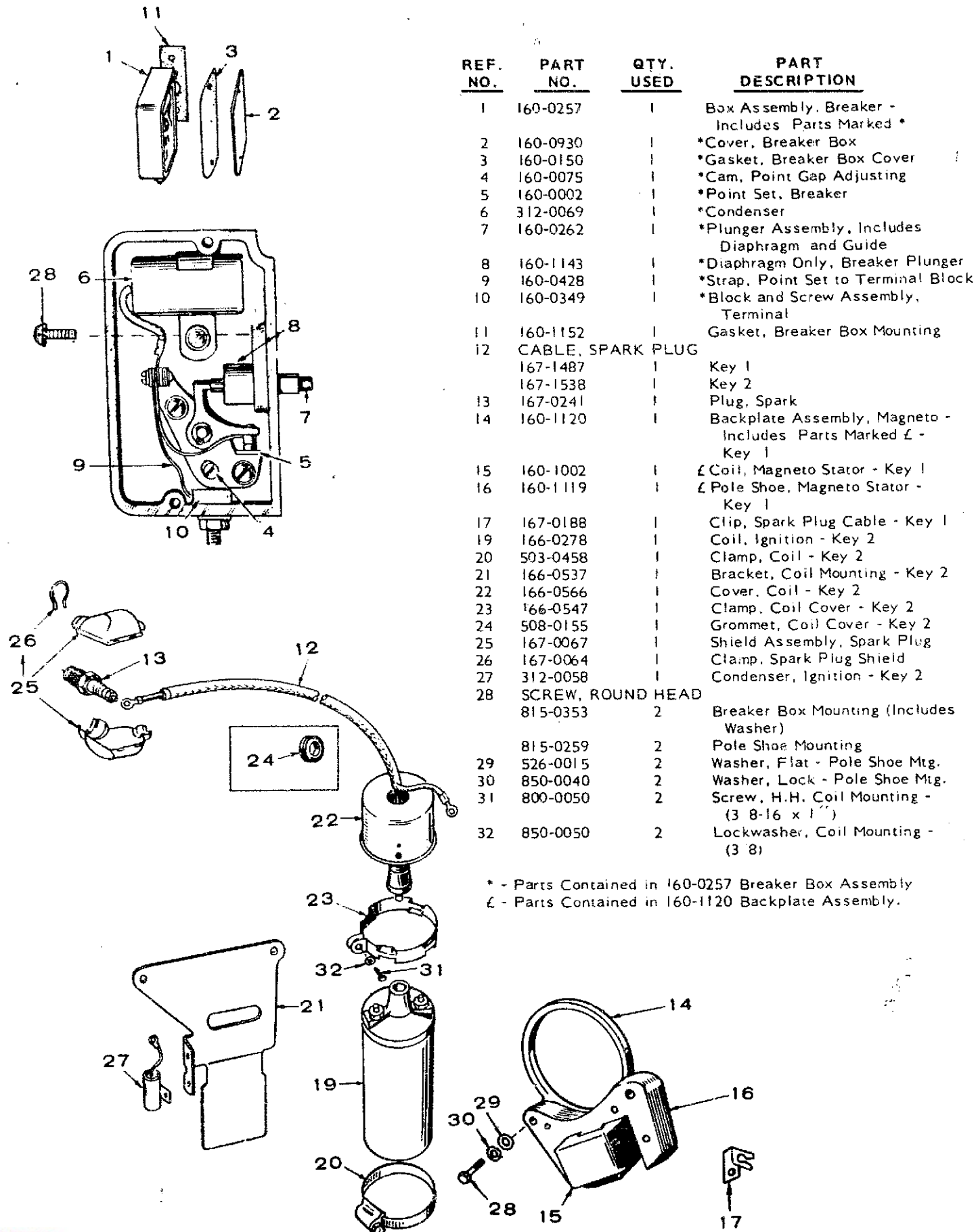
# CRANKSHAFT, FLYWHEEL, CAMSHAFT AND PISTON GROUP



REF. NO.	PART NO.	QTY. USED	PART DESCRIPTION
1	104-0170	1	Screw, Flywheel Mounting
2	526-0017	1	Washer, Flywheel Mounting
3	192-0308	1	Sheave, Starter Rope
4	FLYWHEEL		
	160-1128	1	Key 1
	134-2074	1	Key 2
5	105-0289	1	Weight, Compression Release
6	KEY, WOODRUFF		
	515-0002	1	Flywheel Mounting
	515-0001	1	Crankshaft Gear Mounting
	515-0001	1	Camshaft Gear Mounting
7	104-0743	1	Crankshaft
8	518-0014	1	Lock, Crankshaft Gear Washer Retaining
9	104-0043	1	Washer, Crankshaft Gear Retaining
10	192-0023	1	Rope, Manual Starting - Key 2
11	516-0181	1	Pin, Compression Release Weight
12	ROD, CONNECTING (INCLUDES BOLTS)		
	114-0204	1	Standard
	114-0204-10	1	.010" Undersize
	114-204-20	1	.020" Undersize
	114-0204-30	1	.030" Undersize
13	PISTON AND PIN (INCLUDES RETAINING RINGS)		
	112-0111	1	Standard
	112-0111-10	1	.010" Oversize
	112-0111-20	1	.020" Oversize

REF. NO.	PART NO.	QTY. USED	PART DESCRIPTION
14	PIN, PISTON		
	112-0112	1	Standard
15	518-0294	2	Ring, Piston Pin Retaining
16	RING SET, PISTON		
	113-0142	1	Standard
	113-0142-10	1	.010" Oversize
	113-0142-20	1	.020" Oversize
	113-0142-30	1	.030" Oversize
	113-0142-40	1	.040" Oversize
17	114-0059	2	Lock, Connecting Rod Screw
18	114-0171	2	Screw, Hex - Connecting Rod Cap
19	150-0078	1	Ring, Camshaft Center Pin
20	150-1116	1	Cup, Governor
21	510-0015	10	Ball, Fly - Governor
22	105-0353	1	Gear Set, Timing (Includes Crankshaft and Camshaft Gear)
23	105-0004	1	Washer, Camshaft Gear Thru
24	105-0338	1	Camshaft (Includes Center Pin Assembly & Compression Release)
25	150-1334	1	Pin Assembly, Center Governor
26	104-0750	1	Deflector, Crankshaft Oil
27	815-0265	1	Screw, Deflector Mounting

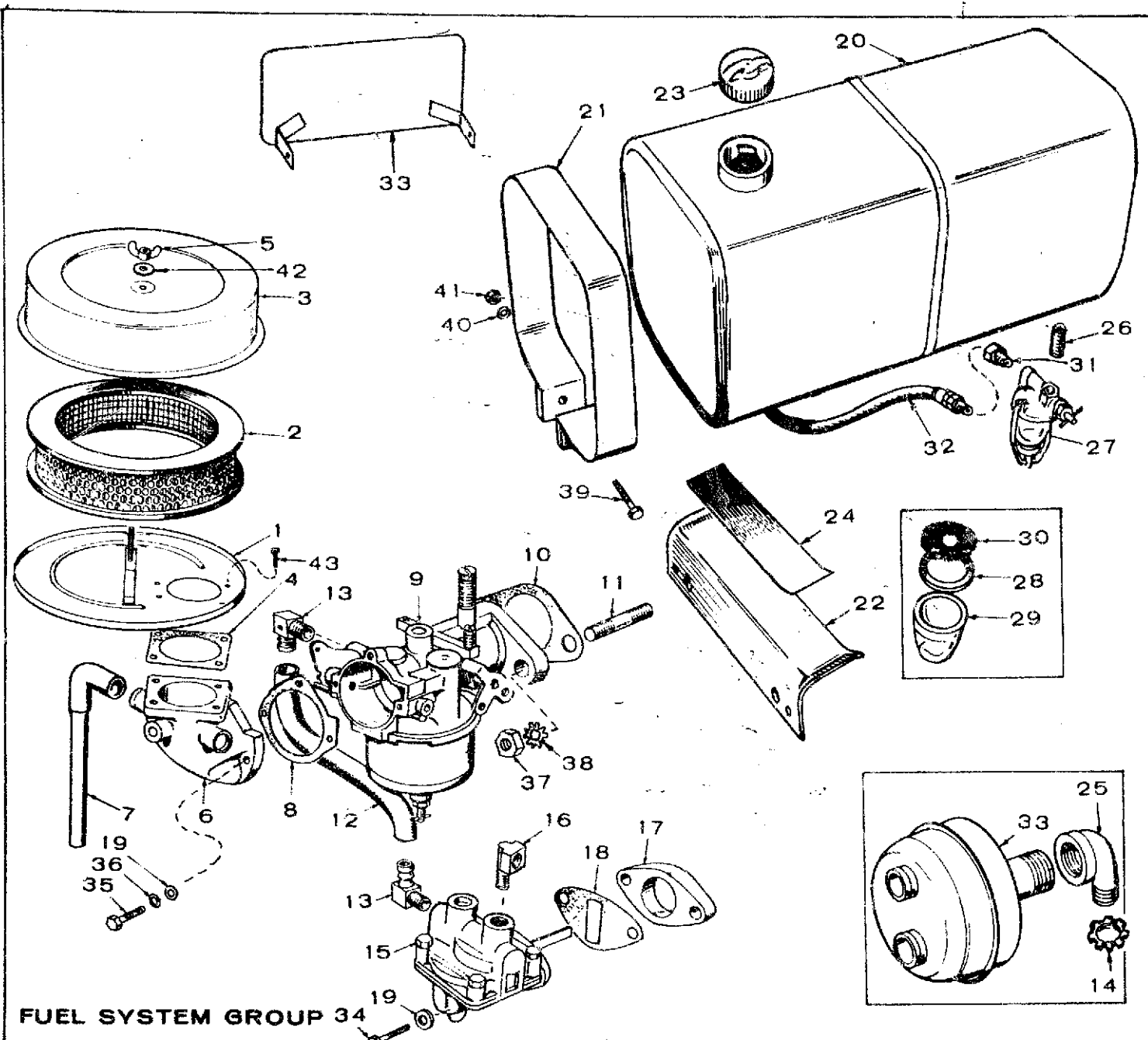
# IGNITION GROUP



REF. NO.	PART NO.	QTY. USED	PART DESCRIPTION
1	160-0257	1	Box Assembly, Breaker - Includes Parts Marked *
2	160-0930	1	*Cover, Breaker Box
3	160-0150	1	*Gasket, Breaker Box Cover
4	160-0075	1	*Cam, Point Gap Adjusting
5	160-0002	1	*Point Set, Breaker
6	312-0069	1	*Condenser
7	160-0262	1	*Plunger Assembly, Includes Diaphragm and Guide
8	160-1143	1	*Diaphragm Only, Breaker Plunger
9	160-0428	1	*Strap, Point Set to Terminal Block
10	160-0349	1	*Block and Screw Assembly, Terminal
11	160-1152	1	Gasket, Breaker Box Mounting
12	CABLE, SPARK PLUG		
	167-1487	1	Key 1
	167-1538	1	Key 2
13	167-0241	1	Plug, Spark
14	160-1120	1	Backplate Assembly, Magneto - Includes Parts Marked £ - Key 1
15	160-1002	1	£ Coil, Magneto Stator - Key 1
16	160-1119	1	£ Pole Shoe, Magneto Stator - Key 1
17	167-0188	1	Clip, Spark Plug Cable - Key 1
19	166-0278	1	Coil, Ignition - Key 2
20	503-0458	1	Clamp, Coil - Key 2
21	166-0537	1	Bracket, Coil Mounting - Key 2
22	166-0566	1	Cover, Coil - Key 2
23	166-0547	1	Clamp, Coil Cover - Key 2
24	508-0155	1	Grommet, Coil Cover - Key 2
25	167-0067	1	Shield Assembly, Spark Plug
26	167-0064	1	Clamp, Spark Plug Shield
27	312-0058	1	Condenser, Ignition - Key 2
28	SCREW, ROUND HEAD		
	815-0353	2	Breaker Box Mounting (Includes Washer)
	815-0259	2	Pole Shoe Mounting
29	526-0015	2	Washer, Flat - Pole Shoe Mtg.
30	850-0040	2	Washer, Lock - Pole Shoe Mtg.
31	800-0050	2	Screw, H.H. Coil Mounting - (3/8-16 x 1")
32	850-0050	2	Lockwasher, Coil Mounting - (3/8)

\* - Parts Contained in 160-0257 Breaker Box Assembly  
 £ - Parts Contained in 160-1120 Backplate Assembly.





**FUEL SYSTEM GROUP 34**

REF. NO.	PART NO.	QTY. USED	PART DESCRIPTION	REF. NO.	PART NO.	QTY. USED	PART DESCRIPTION
1	140-1048	1	Base, Air Cleaner	19	WASHER, FLAT		
2	140-1055	1	Element, Air Cleaner	526-0063		2	Fuel Pump Mounting (Copper) - Early Models Only
3	140-1053	1	Cover, Air Cleaner	526-0071		3	Air Cleaner Adapter Mounting
4	140-1069	1	Gasket, Air Cleaner	20	159-0890	1	Tank, Fuel Mounted - Key 1
5	865-0022	1	Nut, Wing - Air Cleaner	21	159-0892	2	Strap, Mounted Fuel Tank - Key 1
6	140-1063	1	Adapter, Air Cleaner	22	159-0966	2	Bracket, Mounted Fuel Tank - Key 1
7	503-0516	1	Hose, Breather	23	159-0007	1	Cap, Mounted Fuel Tank - Key 1
8	140-1037	1	Gasket, Adapter to Carburetor	24	159-0893	2	Insulation, Fuel Tank Mounting - Key 1
9	CARBURETOR, GASOLINE (NOTE: See Separate Group for Components)			25	505-0003	1	Elbow, Exhaust (1" x 90°)
	141-0772	1	Key 1	26	502-0046	1	Nipple, Fuel Filter to Tank - Key 1
	141-0779	1	Key 2	27	149-0079	1	Filter Fuel - Key 1
10	154-0733	2	Gasket, Carburetor Mounting	28	149-0149	1	Gasket, Filter Bowl - Key 1
11	520-0114	2	Stud, Carburetor Mounting	29	149-0150	1	Bowl, Fuel Filter - Key 1
12	503-0588	1	Line, Fuel Pump to Carburetor	30	149-0202	1	Screen, Fuel Filter - Key 1
13	502-0313	2	Elbow, (1) Carburetor Inlet (1) Fuel Pump Outlet	31	502-0003	1	Connector, Fuel Filter Outlet - Key 1
14	331-0053	1	Locknut, Exhaust Elbow				
15	149-1213	1	Pump, Fuel				
16	502-0020	1	Elbow, Fuel Pump Inlet				
17	149-0045	1	Spacer, Fuel Pump Mounting				
18	149-0003	2	Gasket, Fuel Pump Mounting				

Redistribution or publication of this document by any means, is strictly prohibited.

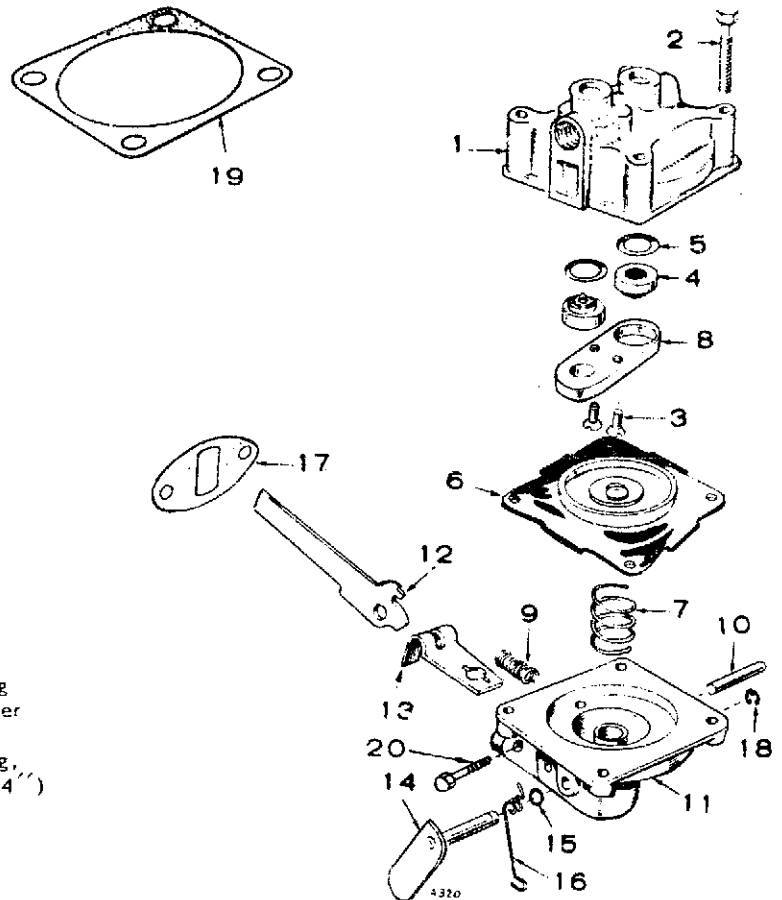
REF. NO.	PART NO.	QTY. USED	PART DESCRIPTION
32	LINE, FLEX - FUEL FILTER TO PUMP		
	501-0015	1	Key 1
	501-0007	1	Key 2
33	155-1018	1	Muffler, Exhaust
33	159-0968	1	Shield, Heat - Fuel Tank
34	806-0009	2	Screw, Counterbore - Fuel Pump Mounting
35	SCREW, ADAPTER MOUNTING		
	813-0103	2	10-32 x 3 4"
	813-0112	1	10-32 x 2-1 2"
36	850-0030	3	Washer, Lock - Air Cleaner Adapter Mounting
37	868-0002	2	Nut, Carburetor Mounting

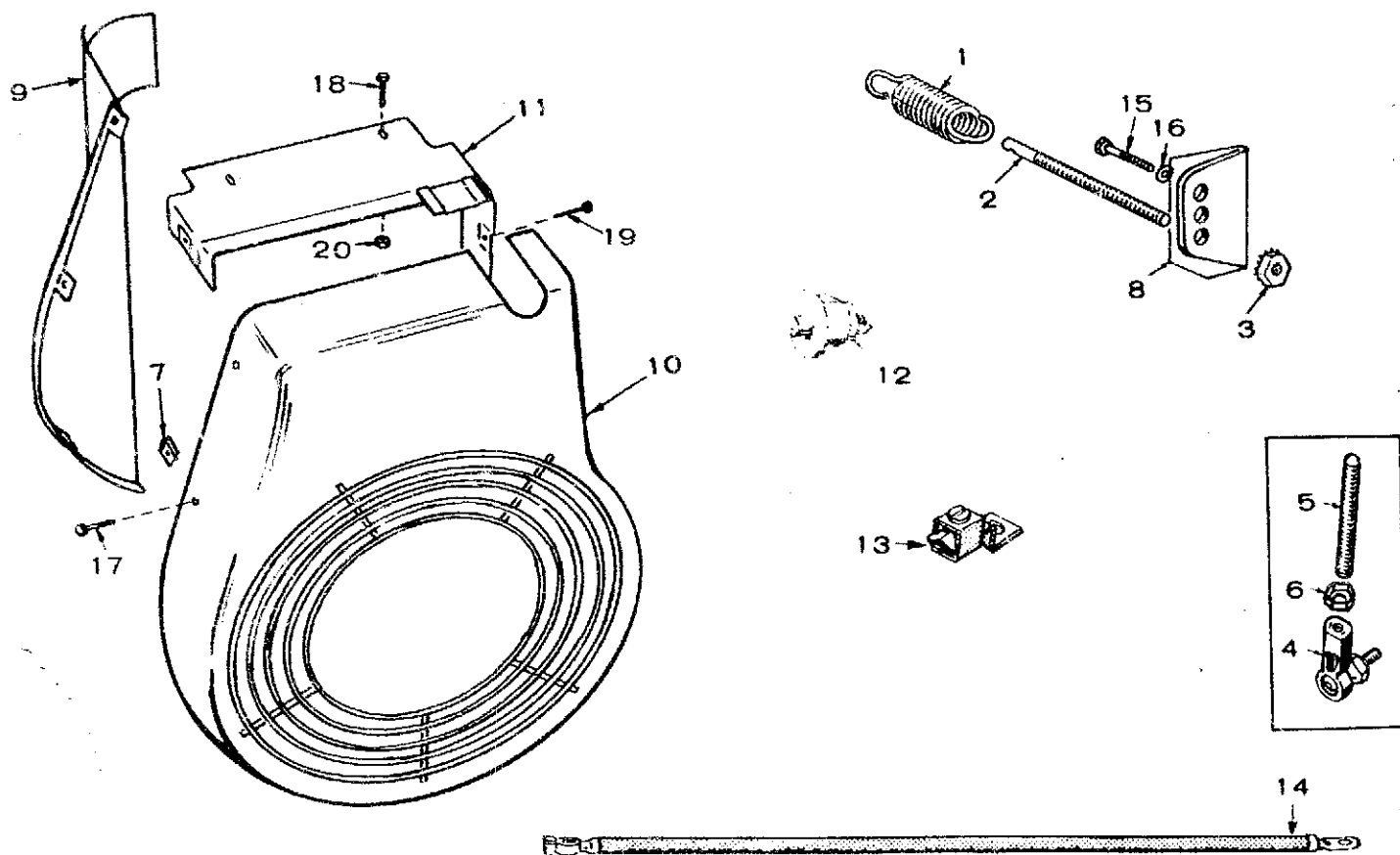
REF. NO.	PART NO.	QTY. USED	PART DESCRIPTION
38	854-0017	2	Washer, Shakesproof - Carburetor Mounting
39	812-0158	2	Screw, R.H.M. Mtg. - Strap Fuel Tank (1/4-20 x 2")
40	850-0040	2	Washer, Lock Mtg. - Strap Fuel Tank (1/4)
41	864-0001	2	Nut, Sqms Mounting - Strap Fuel Tank (1/4-20)
42	526-0008	1	Washer, Flat - Air Cleaner Cover (7/16)
43	813-0098	4	Screw, R.H.M. - Air Cleaner Mtg. (10-32 x 3 8")

### FUEL PUMP PARTS GROUP

REF. NO.	PART NO.	QTY. USED	PART DESCRIPTION
	149-1213	1	Pump, Fuel
	149-0526	1	Kit, Fuel Pump Repair - Includes Parts Marked *
1		1	Body, Upper (Not Sold Separately)
2	815-0148	4	Screw, H.H. (#8-32 x 7/8")
3	815-0147	2	Screw, Phillips Flat Head (#6-32 x 5/8")
4	149-0096	2	*Valve and Cage
5	149-0095	2	*Gasket, Valve
6	149-0582	1	*Diaphragm Assembly
7	149-0672	1	Spring, Diaphragm
8	149-0539	1	Retainer, Valve Cage
9	149-0675	1	*Spring, Rocker Arm
10	516-0113	1	Pin, Rocker Arm
11		1	Body, Lower (Not Sold Separately)
12	149-1148	1	Arm, Rocker
13	149-0670	1	Link, Rocker
14	149-1042	1	Lever, Hand Primer
15	509-0065	2	Seal "O" Ring
16	149-1044	1	Spring, Priming Lever
17	149-0003	1	*Gasket, Fuel Pump Mounting
18	518-0129	1	Ring, Retainer - Primer Lever
19	149-0858	1	*Gasket, Diaphragm
20	806-0009	2	Screw, Counterbore Mounting, Fuel Pump (1/4-20 x 1-1 4")

\* - Parts Contained in 149-0526 Fuel Pump Repair Kit

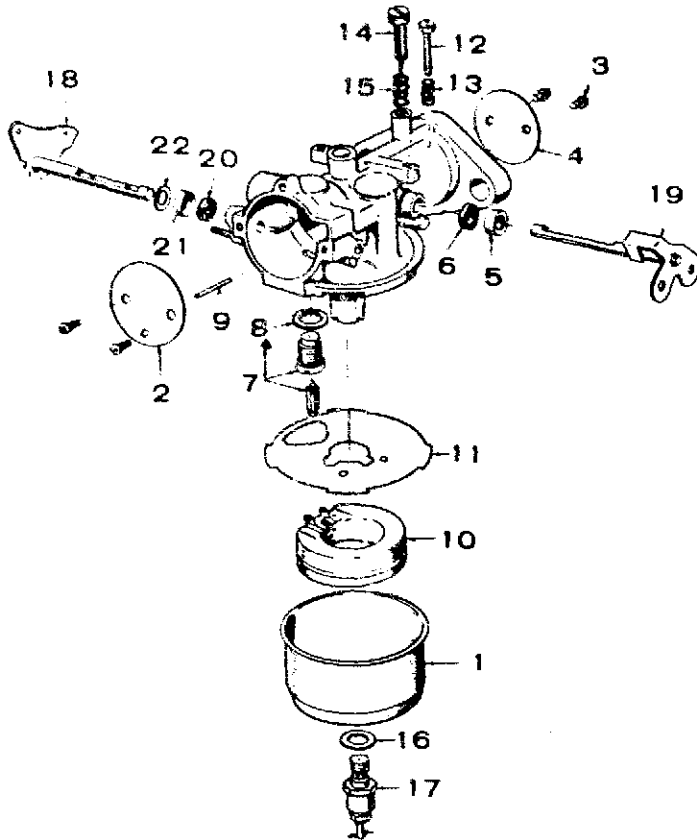




### THROTTLE CONTROL AND HOUSING GROUP

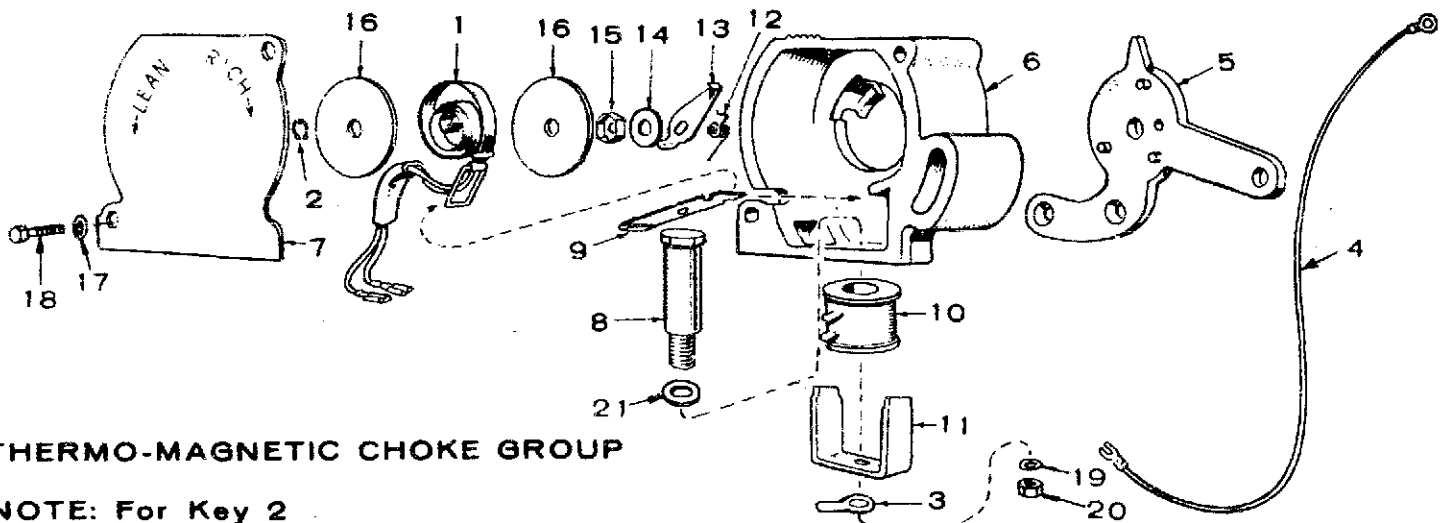
REF. NO.	PART NO.	QTY. USED	PART DESCRIPTION
1	150-1044	1	Spring, Governor
2	150-0096	1	Stud, Speed Adjusting
3	870-0131	3	Nut, Locking
4	150-1081	2	Joint, Ball
5	150-0883	1	Link, Throttle
6	870-0188	2	Pinnut, Locking
7	870-0107	6	Nut, Tinnerman - Blower Housing
8	150-0611	1	Bracket, Governor Spring
9	134-2059	1	Housing, Cylinder Air
10	134-1956	1	Housing, Blower
11	134-2055	1	Cover, Cylinder Air
12	313-0018	1	Switch, Stop - Key 1
13	332-0142	1	Terminal, Ground
14	416-0077	2	Cable, Battery
15	812-0150	2	Screw, R.H.M. - Bracket Gen. Mtg. (1/4-20 x 5/8")
16	850-0040	2	Washer, Lock - Bracket Gen. Mounting (1/4)
17	809-0059	6	Screw, R.H.S.M. - Blower Housing (1/4-20 x 1/2")
18	821-0010	2	Screw, H.H.T.C. - Blower Housing (1/4-20 x 1/2")
19	815-0261	3	Screw, Thread Forming - Blower Hsg. to Gearcase (1/4-20)
20	870-0110	2	Nut, Cage - Blower Housing (1/4-20)

### CARBURETOR PARTS GROUP



REF. NO.	PART NO.	QTY. USED	PART DESCRIPTION
CARBURETOR, GASOLINE			
	141-0772	1	Key 1
	141-0779	1	Key 2
	141-0785	1	Repair Kit - Includes Parts Marked *
	141-0748	1	Gasket Kit - Includes Parts Marked £
	154-0733	2	*£ Gasket, Carburetor Flange
1	141-0708	1	Bowl, Fuel
2	141-0775	1	Plate, Choke
3	141-0698	4	Screw & Washer, Choke & Throttle Plate Mounting
4	141-0706	1	Plate, Throttle
5	141-0705	1	* Retainer, Seal
6	141-0663	1	*£ Seal, Rubber
7	141-0704	1	* Valve Seat Assembly, Fuel
8	141-0811	1	*£ Washer, Fuel Valve Seat
9	141-0703	1	* Shaft, Float
10	141-0702	1	Float Assembly
11	141-0701	1	*£ Gasket, Bowl to Body
12	141-0700	1	Screw, Throttle Stop
13	141-0711	1	Spring, Throttle Stop
14	141-0786	1	Needle, Idle Adjusting
15	141-0710	1	Spring, Idle Needle
16	141-0077	1	*£ Washer, Main Jet Assembly
17	141-0712	1	Jet Assy., Main (Adjustable)
18	SHAFT, CHOKE		
	141-0742	1	Key 1
	141-0679	1	Key 2
19	141-0775	1	Shaft & Lever, Throttle
20	141-0697	1	Seal, Felt Seal - Key 1
21	141-0203	1	Retainer, Felt Seal - Key 1
22	141-0699	1	Washer - Key 1

\* - Parts Contained in Repair Kit.  
£ - Parts Contained in Gasket Kit.



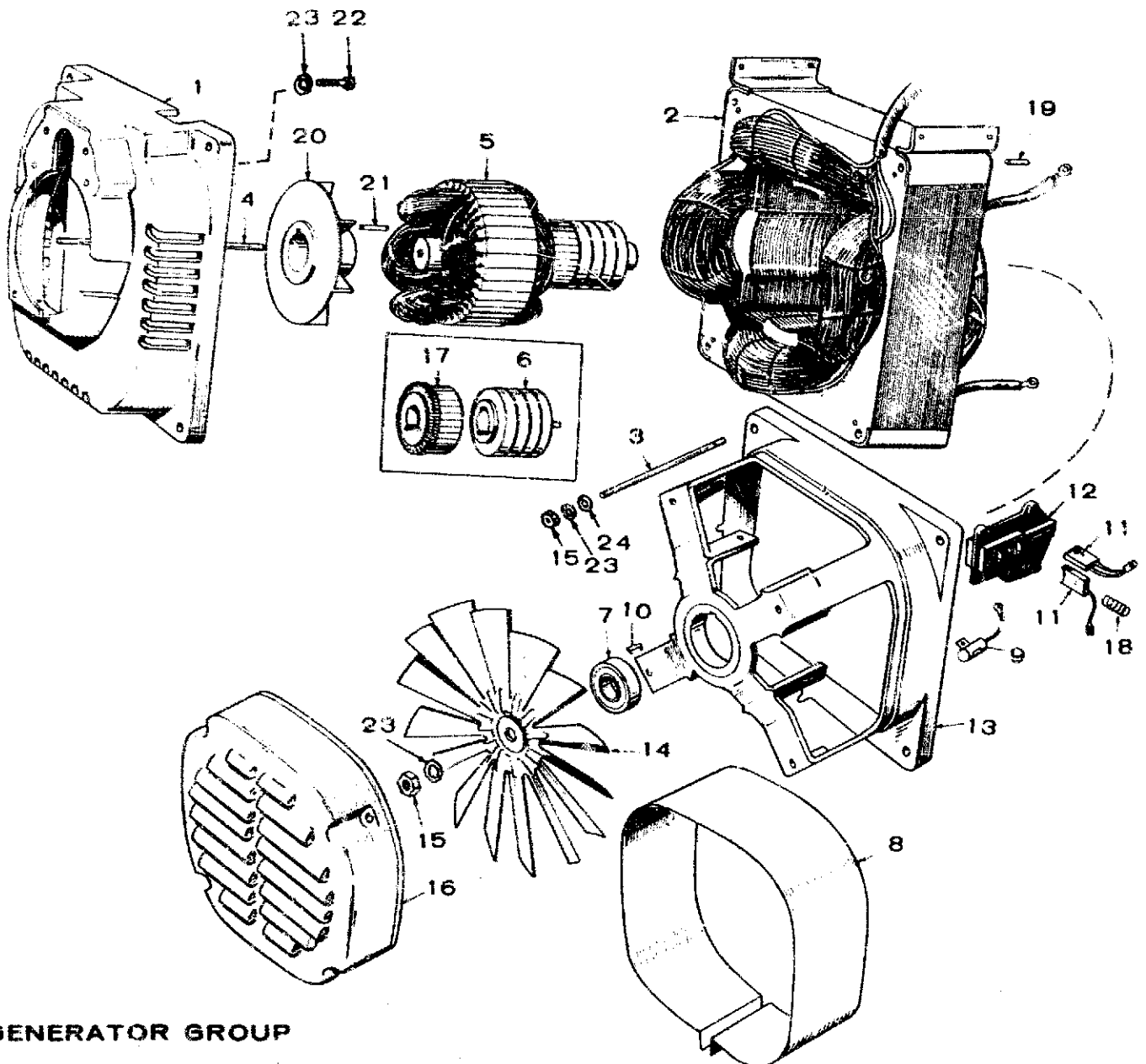
### THERMO-MAGNETIC CHOKE GROUP

NOTE: For Key 2

REF. NO.	PART NO.	QTY. USED	PART DESCRIPTION	REF. NO.	PART NO.	QTY. USED	PART DESCRIPTION
1	153-0400	1	Heater Assembly	14	526-0018	1	Washer (17/64" I.D. x 5/8" O.D. x 1/16")
2	518-0129	1	Ring, Retaining	15	870-0134	1	Pinnut (1/4-20)
3	332-0876	1	Terminal Ground	16	153-0399	2	Insulator
4	336-1550	1	Lead, Choke to Ground	17	854-0007	2	Washer, Lock - Choke Plate Mounting #8
5	153-0385	1	Plate, Mounting	18	812-0076	2	Screw, R.H.M. - Choke Plate Mounting (8-32 x 5/16")
6	153-0386	1	Body	19	854-0017	1	Washer, Lock - Solenoid Mtg. (5/16)
7	153-0389	1	Cover	20	864-0002	1	Nut, Jam - Solenoid Mounting (5/16)
8	153-0391	1	Core, Solenoid				
9	153-0395	1	Armature				
10	307-1203	1	Coil, Solenoid				
11	153-0392	1	Frame, Solenoid				
12	153-0387	1	Spring				



Power Generation



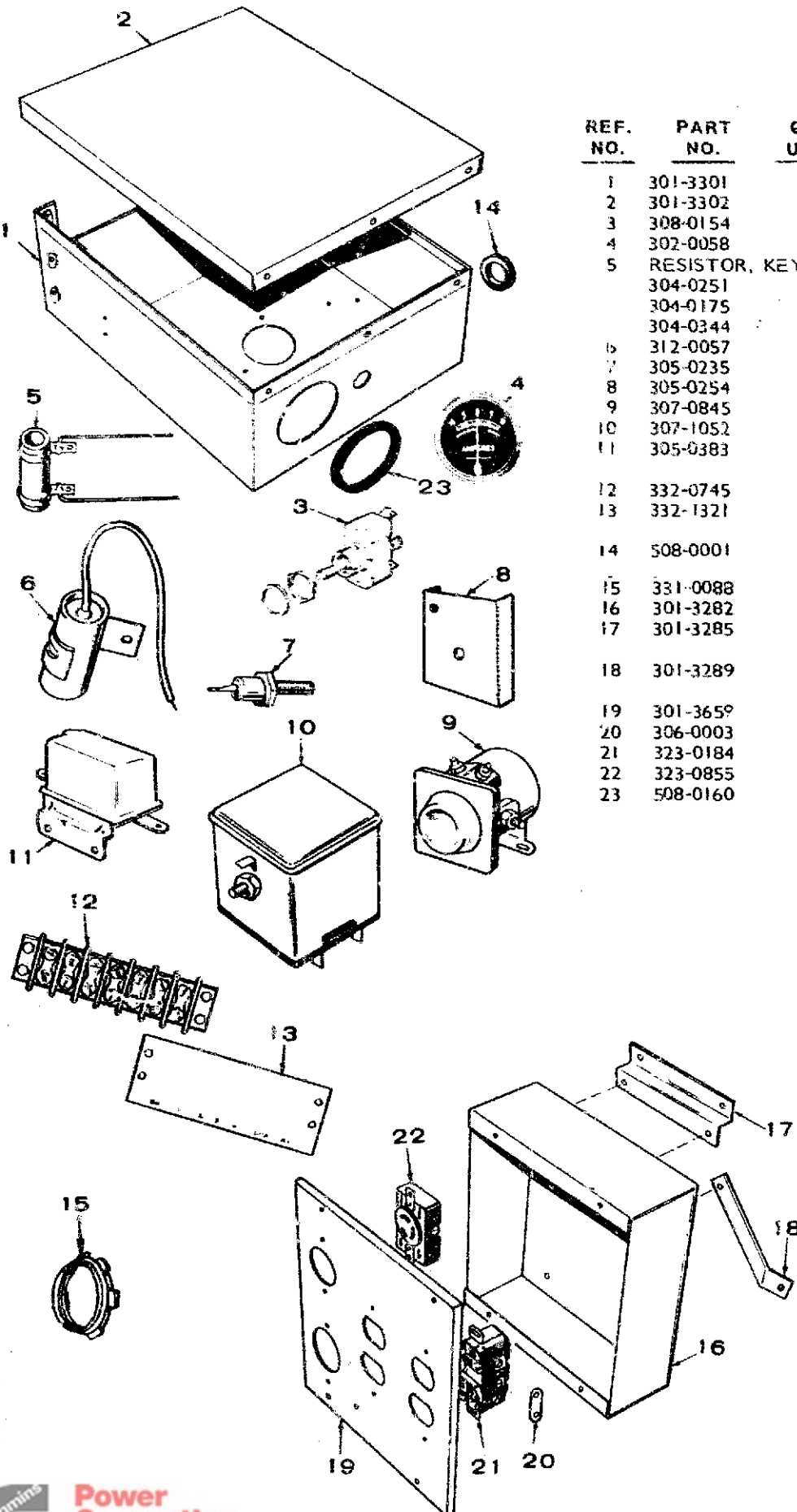
**GENERATOR GROUP**

REF. NO.	PART NO.	QTY. USED	PART DESCRIPTION
1	231-0150	1	Adapter, Generator to Engine
2	*	1	Stator, Wound
3	520-0731	4	Stud, Generator Through
4	520-0732	1	Stud, Rotor Through
5	*	1	Rotor, Wound
6	204-0108	1	Ring, Collector
7	510-0047	1	Bearing, Rotor (Double Sealed and Pre-lubricated)
8	234-0362	1	Wrapper, End Bell
9	CAPACITOR		
	312-0017	2	.5 Mfd.
	312-0058	3	.10 Mfd.
10	232-0596	1	Clip, Bearing Stop
11	BRUSH, GENERATOR		
	214-0095	4	Direct Current
	214-0096	8	Alternating Current
12	HOLDER, BRUSH		
	212-1230	2	Right Side and Bottom
	212-1231	2	Left Side and Top
13	211-0187	1	Bell, End

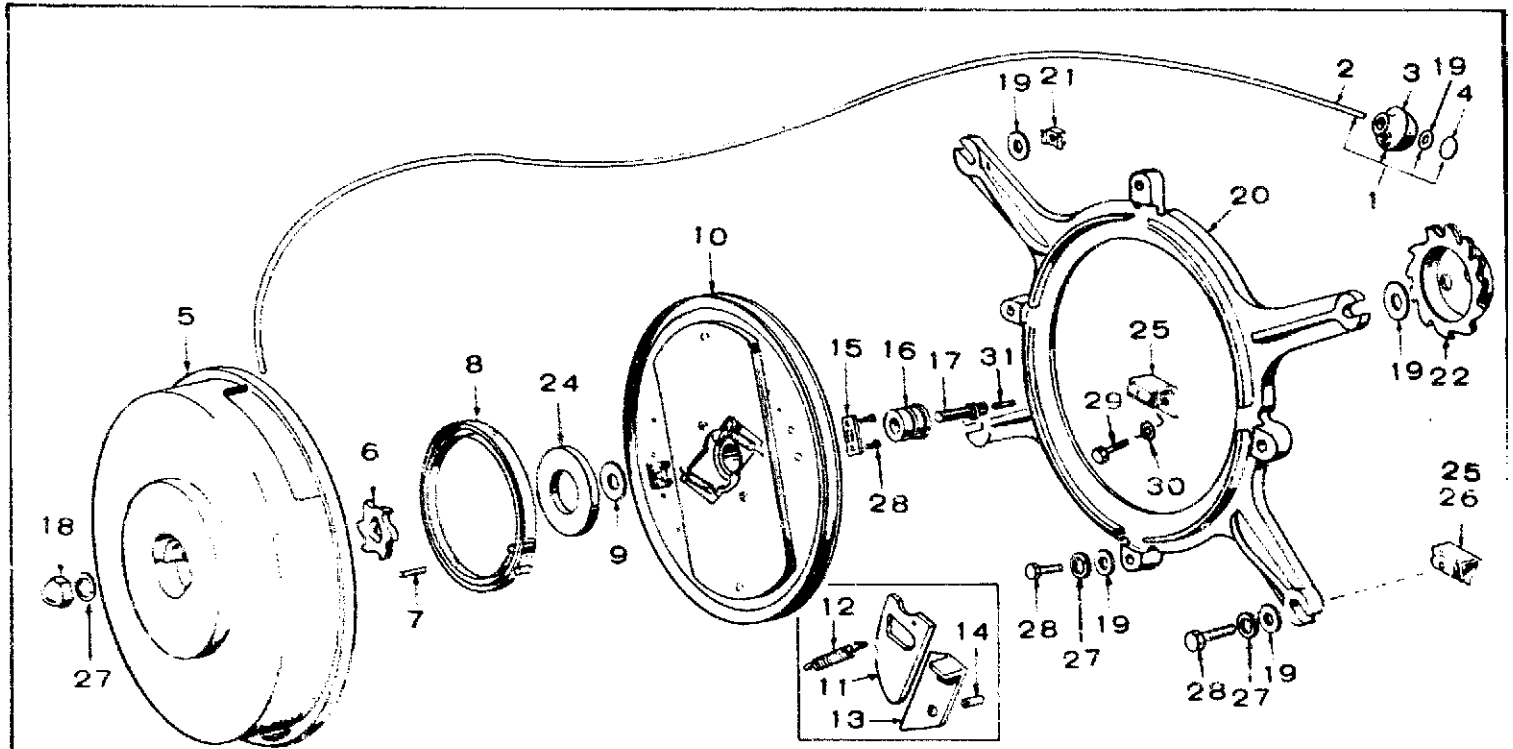
REF. NO.	PART NO.	QTY. USED	PART DESCRIPTION
14	205-0090	1	Blower, Generator
15	NUT, HEX		
	867-0004	1	Rotor Through Stud
	862-0015	4	Generator Through Stud
16	232-2107	1	Cover, End Bell
17	203-0151	1	Commutator
18	212-1232	12	Spring, Brush
19	516-0182	4	Pin, Roll - End Bell Locatin
20	232-2108	1	Hub, Drive
21	515-0007	1	Key, Drive Hub
22	800-0051	4	Screw, Hex Cap - Adapter Mt
23	WASHER, LOCK		
	850-0050	4	Adapter Mounting
	850-0055	1	Rotor Through Stud
	850-0045	4	Generator Through Stud
24	526-0115	4	Washer, Flat - Generator Th Stud

\* - Refer to factory giving complete Model, Spec and Serial Number.

# CONTROL GROUP



REF. NO.	PART NO.	QTY. USED	PART DESCRIPTION
1	301-3301	1	Box, Control - Key 2
2	301-3302	1	Cover, Control Box - Key 2
3	308-0154	1	Switch, Start-Stop - Key 2
4	302-0058	1	Ammeter (10-0-10) - Key 2
5	RESISTOR, KEY 2		
	304-0251	1	30-Ohm, 5 Watt
	304-0175	1	1-Ohm, 50 Watt (Adjustable)
	304-0344	1	1-Ohm, 25 Watt
6	312-0057	1	Capacitor, 1.0 Mfd. - Key 2
7	305-0235	1	Diode, Reverse Current - Key 2
8	305-0254	1	Sink, Heat - Diode - Key 2
9	307-0845	1	Relay, Start Solenoid - Key 2
10	307-1052	1	Relay, Stop - Key 2
11	305-0383	1	Relay, 2-Stop - Voltage Regulator - Key 2
12	332-0745	1	Block, Terminal - Key 2
13	332-1321	1	Strip, Marker - Terminal Block - Key 2
14	508-0001	1	Grommet, Rubber - Key 2 (1-1/16" Hole)
15	331-0088	2	Locknut - Chase Nipple (3/4")
16	301-3282	1	Box, Receptacle - Key 1
17	301-3285	1	Bracket, Upper - Receptacle Box - Key 1
18	301-3289	1	Bracket, Lower - Receptacle Box - Key 1
19	301-3659	1	Panel, Receptacle Box - Key 1
20	306-0003	2	Jumper, Key 1
21	323-0184	2	Receptacle, Duplex - Key 1
22	323-0855	2	Receptacle, Twistlock - Key 1
23	508-0160	1	Grommet, Rubber - Key 2 (1/2" Hole)



**READI-PULL STARTER GROUP**

**NOTE: For Key 1**

REF. NO.	PART NO.	QTY. USED	PART DESCRIPTION	REF. NO.	PART NO.	QTY. USED	PART DESCRIPTION
	192-0385	1	Starter Kit, Complete (includes Mtg. Ring & Ratchet Wheel)	20	192-0186	1	Ring, Starter to Blower Housing Mounting
1	192-0045	1	Rope & Grip Assembly	21	870-0110	4	Nut, Speed Grip, Starter Ring to Blower Housing
2	192-0043	1	Rope, Starter, Less Grip (83")	22	192-0309	1	Wheel, Ratchet
3	192-0044	1	Grip, Starter Rope - Rubber	24	526-0168	1	Washer, Recoil Spring Retain
4	517-0025	1	Plug, Starter Rope Grip	25	192-0295	1	Bracket, Starter Mounting (Left Side)
5	192-0152	1	Cover, Starter	26	192-0294	1	Bracket, Starter Mounting (Right Side)
6	192-0153	1	Wheel, Cog-Anti-Backlash	27	WASHER, LOCK		
7	516-0138	1	Pin (3/16 x 5/8") Recoil Spring		850-0040	4	Starter Cover to Mounting Ring
8	192-0039	1	Spring, Recoil		850-0040	4	Starter Mounting
9	526-0123	1	Washer, Thrust (Sheave Bushing to Cover)		850-0050	1	Cover to Sheave
10	192-0180	1	Sheave, Rope (Includes Parts Marked *)	28	SCREW, HEX HEAD		
11	192-0172	2	*Pawl		815-0137	2	Rope Clamp
12	192-0165	2	*Spring, Pawl		815-0137	4	Starter Cover to Mounting Ring
13	192-0168	2	*Arm, Ratchet		800-0007	4	Starter Mounting
14	516-0110	4	*Pin, Roll (5/16 x 1/2") - (2) Ratchet Arm (2) Pawl	29	800-1004	2	Screw, Starter Bracket (1/4-20 x 5/8")
15	192-0167	1	*Clamp, Rope	30	850-1040	2	Lockwasher, Starter Bracket (1/4)
16	192-0163	1	Bearing, Sheave Hub (Bronze)	31	516-0132	1	Pin, Spiral Brass Starter Loc (1/8 x 5/8")
17	192-0323	1	Capscrew (3/8-16 x 1-1/2")				
18	862-0003	1	Nut, Bushing to Cover Screw				
19	WASHER, FLAT						
	526-0180	4	Starter Cover to Mounting Ring				
	526-0169	1	Starter Rope Grip				
	526-0015	2	Rope Clamp				
	526-0014	1	Ratchet Wheel Mounting				
	526-0130	4	Starter Mounting				
	526-0158	4	Starter Mounting				

**SERVICE KITS AND MISCELLANEOUS**

**NOTE: For other kits, refer to the group for the part in question.**

REF. NO.	PART NO.	QTY. USED	PART DESCRIPTION
	92-1100	1	Decal Kit, Set
	168-0110	1	Kit, Gasket
	522-0251	1	Kit, Overhaul

SPEC. PARTS DATA INDEX

MODEL	SPEC.	FICHE LOCATION
3.0NB-3CM	1A	F2
3.0NB-3CR	1A	F3
2.3NB-53CM	1A	F4
3.0NB-3CR	15A	F5
3.0NB-3CR	862A	F6
3.0NB-3CR	8100A	F7
3.0NB-3CR	8390A	F8
3.0NB-3CM	9409A	F9
3.0NB-3CR	9409A	F10
3.0NB-1R	10343A	F11
3.0NB-1R	11734A	F12



SPECIAL PARTS LIST FOR MODEL 3.0NB-3CM SPEC 1A  
 FOR STANDARD PARTS REFER TO CATALOG 940-0300 KEY NO. 1  
 (PARTS CATALOG ALSO CONTAINS COMPONENTS FOR MAJOR OPTIONAL FEATURES LISTED BELOW)

WIRING DIAGRAM NO. (ENG) 601-0197-01

PART NO.	QTY.	DESCRIPTION	PART NO.	QTY.	DESCRIPTION
Mounted Fuel Tank Manual Start					
149-1223	1	Pump, Fuel (NOTE: For Parts Breakdown See Pg. 27 - Catalog #940-0300)			
220-1477	1	Stator, Wound			
201-1691	1	Rotor, Wound			

SPECIAL PARTS LIST FOR MODEL 3.0NB-3CR SPEC 1A  
 FOR STANDARD PARTS REFER TO CATALOG 940-0300 KEY NO. 2  
 (PARTS CATALOG ALSO CONTAINS COMPONENTS FOR MAJOR OPTIONAL FEATURES LISTED BELOW)

**WIRING DIAGRAM NO. (ENG) 610-0326-01**

PART NO.	QTY.	DESCRIPTION	PART NO.	QTY.	DESCRIPTION
Electric Start					
149-1223	1	Pump, Fuel (NOTE: For Parts Breakdown See Pg. 27 - Catalog #940-0300)			
220-1477	1	Stator, Wound			
201-1691	1	Rotor, Wound			

SPECIAL PARTS LIST FOR MODEL 2, 3NB-53CM SPEC 1A  
 FOR STANDARD PARTS REFER TO CATALOG 940-0300 KEY NO. 1  
 (PARTS CATALOG ALSO CONTAINS COMPONENTS FOR MAJOR OPTIONAL FEATURES LISTED BELOW)

WIRING DIAGRAM NO. (ENG) 601-0197-01

PART NO.	QTY.	DESCRIPTION	PART NO.	QTY.	DESCRIPTION
		Mounted Fuel Tank			
		Standard Engine			
149-1223	1	Pump, Fuel (NOTE: For Parts Breakdown See Pg. 27 - Catalog #940-0300)			
220-1477	1	Stator, Wound			
201-1693	1	Rotor, Wound			



SPECIAL PARTS LIST FOR MODEL 3.0NB-3CR SPEC 13A  
 FOR STANDARD PARTS REFER TO CATALOG 940-0300 KEY NO. 2  
 (PARTS CATALOG ALSO CONTAINS COMPONENTS FOR MAJOR OPTIONAL FEATURES LISTED BELOW)

WIRING DIAGRAM NO. (ENG) 610-0326-01

PART NO.	QTY.	DESCRIPTION	PART NO.	QTY	DESCRIPTION
Electric Start					
149-0136	1	Cover, Fuel Pump Hole			
141-0726	1	Carburetor, Gas			
	1	Block Assembly, Cylinder (Refer To Factory Giving Complete Model, Spec And Serial Number)			
220-1477	1	Stator, Wound			
201-1691	1	Rotor, Wound			
148-0323	1	Gas Accessory Package (Consists Of Following Parts Marked *)			
148-0311	1	*Regulator, Gas Fuel (Garretson)			
505-0017	1	*Bushing, Reducer (3/8 X 1/4")			
505-0099	1	*Nipple, Pipe - Close (1/4 X 7/8")			
505-0038	1	*Elbow, Pipe - Female (1/4 X 90°)			
505-0302	1	*Nipple, Pipe - Half (1/4 X 1-1/2")			
503-0032	2	*Clamp, Hose			
503-0315	1	*Line, Fuel			
505-0057	1	*Plug, Pipe (1/8")			
148-0107	1	*Vent, Regulator			
146-0390	1	Kit, Repair - Gas Regulator			

SPECIAL PARTS LIST FOR MODEL 3. ONB-3CR SPEC 862A  
 FOR STANDARD PARTS REFER TO CATALOG 940-0300 KEY NO. 2  
 (PARTS CATALOG ALSO CONTAINS COMPONENTS FOR MAJOR OPTIONAL FEATURES LISTED BELOW)

WIRING DIAGRAM NO. (ENG)610-0326-01

PART NO.	QTY.	DESCRIPTION	PART NO.	QTY.	DESCRIPTION
Electric Start					
149-0136	1	Cover, Fuel Pump Hole			
141-0726	1	Carburetor, Gas			
	1	Block Assembly, Cylinder (Refer To Factory giving Complete Model, Spec And Serial Number)			
220-1477	1	Stator, Wound			
201-1691	1	Rotor, Wound			
148-0323	1	Gas Accessory Package (Consists Of Following Parts Marked *)			
148-0311	1	*Regulator, Gas Fuel (Garretson)			
505-0017	1	*Bushing, Reducer (3/8 X 1/4")			
505-0099	1	*Nipple, Pipe - Close (1/4 X 7/8")			
505-0038	1	*Elbow, Pipe - Female (1/4 X 90°)			
505-0302	1	*Nipple, Pipe - Half (1/4 X 1-1/2")			
503-0032	2	*Clamp, Hose			
503-0315	1	*Line, Fuel			
505-0057	1	*Plug, Pipe (1/8")			
148-0107	1	*Vent, Regulator			
146-0390	1	Kit, Repair - Gas Regulator			
102-0752	1	Base, Oil (Cone Mount)			
505-0019	1	Bushing, Pipe Reducer			
102-0558	1	Heater, Oil Base			

SPECIAL PARTS LIST FOR MODEL 3.0NB-3CR SPEC 8100A  
 FOR STANDARD PARTS REFER TO CATALOG 940-0300 KEY NO. 2  
 (PARTS CATALOG ALSO CONTAINS COMPONENTS FOR MAJOR OPTIONAL FEATURES LISTED BELOW)  
 WIRING DIAGRAM NO. (ENG) 610-0326-01

PART NO.	QTY.	DESCRIPTION	PART NO.	QTY.	DESCRIPTION
Electric Start					
160-0500	1	Bracket, Timing - Top Right			
149-1223	1	Pump, Fuel (NOTE: For Parts Breakdown See Pg. 27 - Catalog #940-0300)			
104-0615	1	Flywheel			
134-2136	1	Cover, Cylinder Head			
134-2164	1	Housing, Blower			
134-0565	1	Wheel, Blower			
134-0564	1	Scroll, Blower Housing - Vacu-Flo			
517-0021	2	Button, Dot - Scroll			
220-1477	1	Stator, Wound			
201-1691	1	Rotor, Wound			
338-0561	1	Harness, Choke			
192-0272	1	Plate, Rope Sheave			

SPECIAL PARTS LIST FOR MODEL 3.0NB-3CR SPEC 8390A  
 FOR STANDARD PARTS REFER TO CATALOG 940-0300 KEY NO. 2  
 (PARTS CATALOG ALSO CONTAINS COMPONENTS FOR MAJOR OPTIONAL FEATURES LISTED BELOW)

WIRING DIAGRAM NO. (ENG)610-0326-01

PART NO.	QTY.	DESCRIPTION	PART NO.	QTY.	DESCRIPTION
Electric Start					
149-0136	1	Cover, Fuel Pump Hole			
141-0726	1	Carburetor, Gas			
	1	Block Assembly, Cylinder (Refer To Factory giving Complete Model, Spec And Serial Number)			
220-1477	1	Stator, Wound			
201-1691	1	Rotor, Wound			
148-0323	1	Gas Accessory Package (Consists Of Following Parts Marked *)			
148-0311	1	*Regulator, Gas Fuel (Garretson)			
505-0017	1	*Bushing, Reducer (3/8 X 1/4")			
505-0099	1	*Nipple, Pipe - Close (1/4 X 7/8")			
505-0038	1	*Elbow, Pipe - Female (1/4 X 90°)			
505-0302	1	*Nipple, Pipe - Half (1/4 X 1-1/2")			
503-0032	2	*Clamp, Hose			
503-0315	1	*Line, Fuel			
505-0057	1	*Plug, Pipe (1/8")			
148-0107	1	*Vent, Regulator			
146-0390	1	Kit, Repair - Gas Regulator			
160-0500	1	Bracket, Timing - Top Right			
104-0615	1	Flywheel			
134-2136	1	Cover, Cylinder Head			
134-2164	1	Housing, Blower			
134-0565	1	Wheel, Blower			
134-0564	1	Scroll, Blower Housing - Vacu-Flo			
517-0021	2	Button, Dot - Scroll			
192-0272	1	Plate, Rope Sheave			
134-2956	1	Guard, Scroll Outlet			

SPECIAL PARTS LIST FOR MODEL 3.0NB-3CM SPEC 9409A  
 FOR STANDARD PARTS REFER TO CATALOG 940-0300 KEY NO. 1  
 (PARTS CATALOG ALSO CONTAINS COMPONENTS FOR MAJOR OPTIONAL FEATURES LISTED BELOW)

WIRING DIAGRAM NO. (ENG)601-0197-01

PART NO.	QTY.	DESCRIPTION	PART NO.	QTY.	DESCRIPTION
Mounted Fuel Tank					
104-0963	1	Crankshaft			
149-1223	1	Pump, Fuel (NOTE: For Parts Breakdown See Pg. 27 - Catalog #940-0300)			
220-1477	1	Stator, Wound			
201-1691	1	Rotor, Wound			



SPECIAL PARTS LIST FOR MODEL 3.0NB-3CR SPEC 9409A  
 FOR STANDARD PARTS REFER TO CATALOG 940-0300 KEY NO. 2  
 (PARTS CATALOG ALSO CONTAINS COMPONENTS FOR MAJOR OPTIONAL FEATURES LISTED BELOW)

WIRING DIAGRAM NO. (ENG)610-0326-01

PART NO.	QTY.	DESCRIPTION	PART NO.	QTY.	DESCRIPTION
Electric Start					
104-0963	1	Crankshaft			
149-1223	1	Pump, Fuel (NOTE: For Parts Breakdown See Pg. 27 - Catalog #940-0300)			
220-1477	1	Stator, Wound			
201-1691	1	Rotor, Wound			

SPECIAL PARTS LIST FOR MODEL 3.0NB-1R SPEC 10343A  
 FOR STANDARD PARTS REFER TO CATALOG 940-0300 KEY NO. 2  
 (PARTS CATALOG ALSO CONTAINS COMPONENTS FOR MAJOR OPTIONAL FEATURES LISTED BELOW)

WIRING DIAGRAM NO. (ENG)610-0332-01

PART NO.	QTY.	DESCRIPTION	PART NO.	QTY.	DESCRIPTION
Electric Start			301-1160	1	Box, Control - Includes Panel And Resistor Bracket
149-1223	1	Pump, Fuel (NOTE: For Parts Breakdown See Pg. 27 - Catalog #940-0300)	301-1198	1	Bracket, Control Box Mount
231-1006	1	Adapter, Generator	301-1244	1	Cover, Control Box
338-0561	1	Harness, Choke	301-1271	1	Plate, End
503-0170	1	Clamp, Breather Hose	308-0002	1	Switch, Toggle
503-0557	1	Hose, Breather	307-0253	1	Relay, Stop
140-0933	1	Adapter, Air Cleaner	305-0001	1	Regulator, Voltage - Charge Circuit
140-0584	1	Gasket, Air Cleaner	307-0180	1	Relay, Reverse Current
140-0791	1	Pan, Air Cleaner	332-0537	1	Block, Terminal (5 Place) - Remote Control
520-0621	2	Stud, Air Cleaner Adapter	332-0566	1	Strip, Marker (4 Place)
140-0636	1	Element, Air Cleaner	332-0609	1	Block, Terminal
140-0650	1	Cover, Air Cleaner	517-0009	1	Plug, Dot Button
865-0020	2	Nut, Wing (1/4-20)	517-0019	1	Plug, Dot Button
140-0921	1	Gasket, Air Cleaner - Air Horn	332-0610	1	Strip, Marker (Blank)
526-0008	2	Washer, Air Cleaner Mounting	332-0592	1	Jumper
167-0177	1	Plug, Spark	304-0344	1	Resistor, Fixed (1 ohm, 25 Watt)
201-1563	1	Armature Assembly (Includes Parts Marked *)	304-0175	1	Resistor, Adjustable (10 ohm, 50 Watt)
205-0053	1	*Blower, Generator			
510-0047	1	*Bearing (Ball), Armature			
515-0006	1	Key Blower To Crankshaft			
232-0596	1	Clip, Bearing Stop			
520-0408	1	Stud, Armature Through			
210-0243	1	Frame Only, Generator (Machined And Drilled, Less Coils And Pole Shoes)			
221-0086	4	Shoe, Pole-Field Coils			
222-1633	1	Coil Assembly, Field			
212-0294	1	Rig Assembly, Brush			
232-1256	1	Scroll, Air Baffle			
312-0057	1	Condenser, Start Solenoid (1 Mfd.)			
214-0050	4	Brush, Collector Ring			
214-0061	4	Brush, Commutator			
212-1105	8	Spring, Brush			
312-0017	1	Condenser (.5 MFD) DC			
312-0058	1	Condenser (.1 MFD) AC			
211-0099	1	Cover, End Bell			
234-0002	1	Band, End Bell			
211-0097	1	Bell, End			
520-0337	2	Stud, Generator Through			
212-1214	4	Clamp, Brush Rig Assembly			
203-0009	1	Commutator			
204-0009	1	Collector Ring			
515-0122	1	Key, Armature Drive			
518-0014	2	Ring, Blower Retaining			
336-0735	1	Jumper			

SPECIAL PARTS LIST FOR MODEL 3.0NB-1R SPEC 11734A  
 FOR STANDARD PARTS REFER TO CATALOG 940-0300 KEY NO. 2  
 (PARTS CATALOG ALSO CONTAINS COMPONENTS FOR MAJOR OPTIONAL FEATURES LISTED BELOW)

WIRING DIAGRAM NO. (ENG)610-0332-01

PART NO.	QTY.	DESCRIPTION	PART NO.	QTY.	DESCRIPTION
Electric Start			301-1244	1	Cover, Control Box
			301-1271	1	Plate, End
149-1223	1	Pump, Fuel (NOTE: For Parts Breakdown See Pg. 27 - Catalog #940-0300)	308-0002	1	Switch, Toggle
			307-0253	1	Relay, Stop
231-1006	1	Adapter, Generator	305-0001	1	Regulator Voltage - Charge Circuit
338-0561	1	Harness, Choke	307-0180	1	Relay, Reverse Current
503-0170	1	Clamp, Breather Hose	332-0537	1	Block, Terminal - (5 Place) Remote Control
503-0557	1	Hose, Breather	332-0566	1	Strip, Marker (4 Place)
140-0933	1	Adapter, Air Cleaner	332-0609	1	Block, Terminal
140-0584	1	Gasket, Air Cleaner	517-0009	1	Plug, Dot Button
140-0791	1	Pan, Air Cleaner	517-0019	1	Plug, Dot Button
520-0621	2	Stud, Air Cleaner Adapter	332-0610	1	Strip, Marker (Blank)
140-0636	1	Element, Air Cleaner	332-0592	1	Jumper
140-0650	1	Cover, Air Cleaner	304-0344	1	Resistor, Fixed (1 ohm, 25 Watt)
865-0020	2	Nut, Wing (1/4-20)	304-0175	1	Resistor, Adjustable (10 ohm, 50 Watt)
140-0921	1	Gasket, Air Cleaner - Air Horn	312-0057	1	Condenser, Start Solenoid (1 MFD)
526-0008	2	Washer, Air Cleaner Mounting	416-0021	1	Cable, Battery (20-1/2" Lg.)
167-0177	1	Plug, Spark	416-0435	1	Cable, Battery (38" Lg.)
201-1563	1	Armature Assembly (Includes Parts Marked *)			
205-0053	1	*Blower, Generator			
510-0047	1	*Bearing (Ball), Armature			
515-0006	1	Key, Blower To Crankshaft			
232-0596	1	Clip, Bearing Stop			
520-0408	1	Stud, Armature Through			
210-0243	1	Frame Only, Generator (Machined And Drilled, Less Coils And Pole Shoes)			
221-0086	4	Shoe, Pole - Field Coils			
222-1633	1	Coil Assembly, Field			
212-0294	1	Rig Assembly, Brush			
232-1256	1	Scroll, Air Baffle			
214-0050	4	Brush, Collector Ring			
214-0061	4	Brush, Commutator			
212-1105	8	Spring, Brush			
312-0017	1	Condenser (.5 MFD) DC			
312-0058	1	Condenser (.1 MFD) AC			
211-0099	1	Cover, End Bell			
234-0002	1	Band, End Bell			
211-0097	1	Bell, End			
520-0337	2	Stud, Generator Through			
212-1214	4	Clamp, Brush Rig Assembly			
203-0009	1	Commutator			
204-0009	1	Collector Ring			
515-0122	1	Key, Armature Drive			
518-0014	2	Ring, Blower Retaining			
336-0735	1	Jumper			
301-1160	1	Box, Control - Includes Panel And Resistor Bracket			
301-1198	1	Bracket, Control Box Mounting			