

SUPPLEMENTARY INFORMATION

BASIC DIFFERENCES BETWEEN

Onan[®]

MODEL 6.0 NH-IR/9000

and

MODEL 6.0 NH-IR/9500

(POWER DRAWER)

OPERATION _____ SAME AS COVERED IN 940-0315

PARTS _____ SAME AS COVERED IN 940-0315
EXCEPT AS INDICATED HEREIN

SERVICE _____ USE 940-0515 SERVICE MANUAL



<http://stores.ebay.com/UserFriendlyCDs>

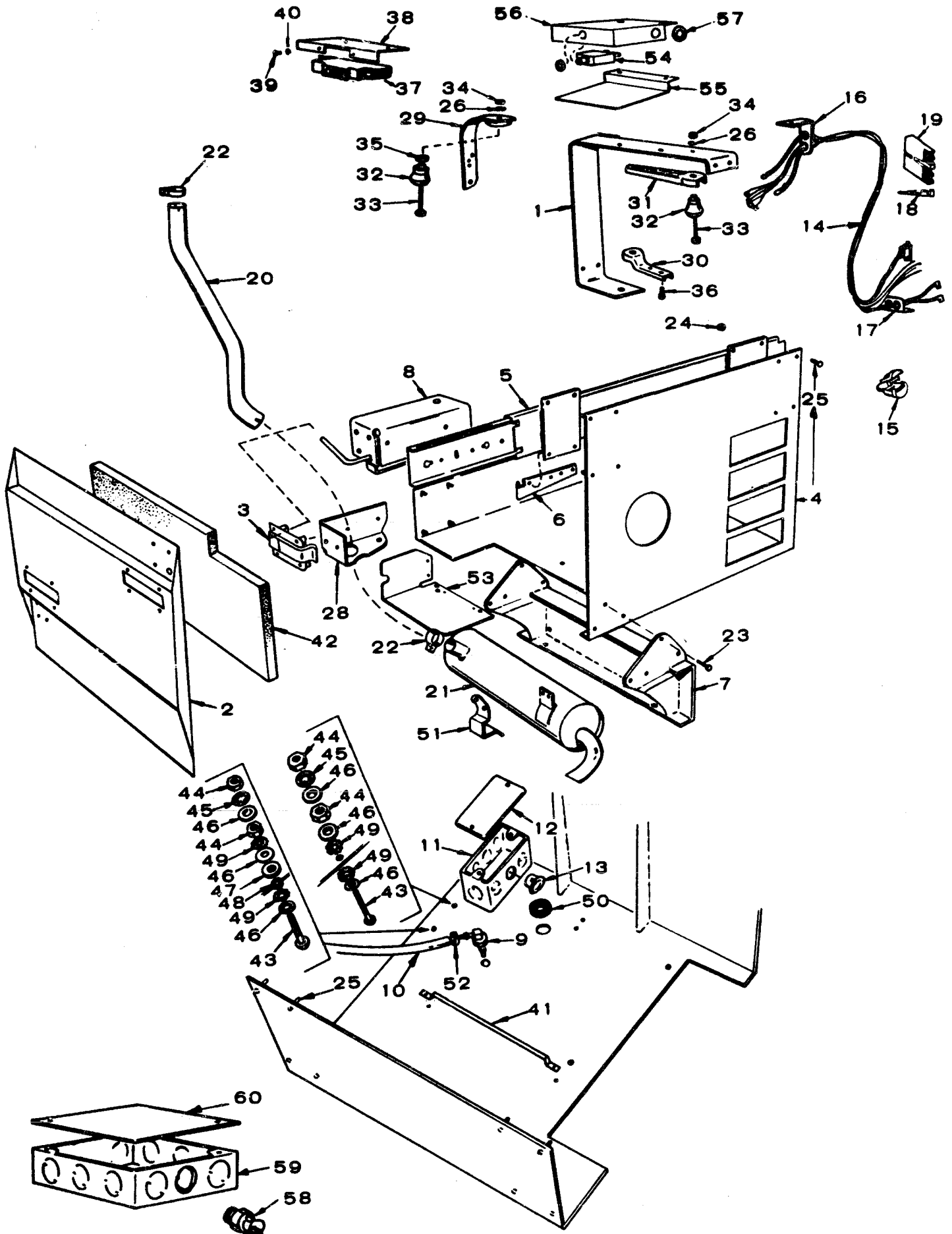
ONAN

1400 73RD AVENUE N.E. • MINNEAPOLIS, MINNESOTA 55432
A DIVISION OF ONAN CORPORATION

FORM NUMBER
940-1012

ISSUE DATE
2-76
(Spec A-H)

CHASSIS GROUP



CHASSIS GROUP

REF. NO.	PART NO.	QTY. USED	PART DESCRIPTION
1	405-2024	1	Yoke, Generator Support
2	405-2021	1	Door, Slide Out
3	406-0369	2	Latch, Door
4	405-2023	1	Pan, Mounting Base
5	405-2000	2	Slide
6	405-1998	2	Bracket, Latch Strike
7	405-2022	1	Bracket, Set Mounting
8	405-2018	1	Bracket and Catch Assembly - Safety
9	502-0419	1	Connector Elbow - Fuel Line
10	HOSE, FUEL		
	503-0673	1	Spec A through D
	503-0716	1	Begin Spec E
11	330-0077	1	Box, Junction - Spec A through G
12	330-0004	1	Cover, Junction Box - Spec A through G
13	331-0027	1	Clamp, Junction Box - Spec A through G
14	HARNESS, WIRING - CHASSIS		
	338-0702	1	Spec A through D
	338-0751	1	Spec E through G
	338-0974	1	Begin Spec H
15	508-0179	4	Relief, Strain (Part of Wiring Harness)
16	301-3612	1	Bracket, Harness Mounting (Part of Wiring Harness)
17	301-3613	1	Bracket, Harness Mounting (Part of Wiring Harness)
18	332-1546	4	Contact, Connector (Part of Wiring Harness)
19	332-1545	1	Body, Connector (Part of Wiring Harness)
20	155-1245	1	Tube, Exhaust
21	155-1247	1	Muffler, Exhaust
22	155-1244	2	Clamp, Exhaust
23	821-0014	6	Screw (5/16-18 x 1/2") - Self Locking - Set Mounting Bracket to Base Pan
24	870-0212	15	Nut, Self Locking
25	826-0031	15	Screw (1/4-20 x 3/4")
26	850-0050	4	Washer, Lock - Generator Support Mounting (3/8")
28	405-2020	1	Bracket, Engine End - Left Side
29	403-1022	1	Foot Assembly, Engine Mounting - Right Side
30	232-2363	1	Support Generator - Left Side
31	232-2364	1	Support Generator - Right Side
32	402-0284	4	Cushion, Mount

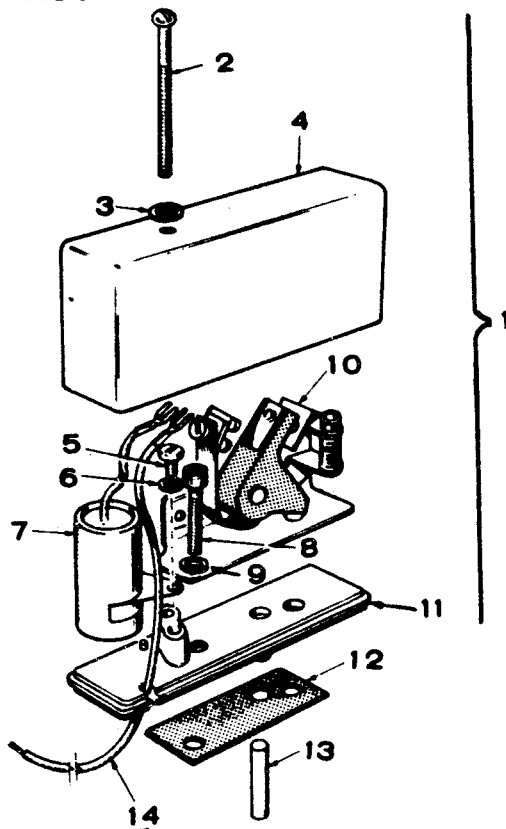
CHASSIS GROUP (Continued)

REF. NO.	PART NO.	QTY. USED	PART DESCRIPTION
33	402-0412	4	Bolt, Cushion Mounting
34	870-0281	4	Nut, Self Locking - Cushion Mounting
35	402-0413	1	Spacer, Cushion Mounting - Engine End - Right Side
36	800-0051	4	Screw, Hex Cap - Generator Support (3/8-16 x 1-1/4")
37	320-0052	1	Breaker, Circuit - Spec A through F
38	405-2003	1	Bracket, Circuit Breaker Mounting - Spec A through F
39	812-0059	2	Screw, Round Head - Circuit Breaker Mounting (#6-32 x 1/4") - Spec A through F
40	850-0020	2	Washer, Lock - Circuit Breaker Mounting (#6) - Spec A through F
41	405-2007	1	Bracket, Fuel Line Return
42	405-2080	1	Insulation, Door
43	810-0181	2	Screw, Round Head Brass - Battery Cable Terminals (5/16-18 x 1-1/4")
44	871-0025	4	Nut, Hex Brass - Battery Cable Terminals (5/16-18)
45	854-0017	2	Washer, Internal Shakeproof - Battery Cable Terminals (5/16")
46	526-0054	7	Washer, Flat - Battery Cable Terminals (5/16")
47	508-0019	1	Washer, Fibre - Battery Cable Terminals (5/16")
48	508-0181	1	Washer, Fibre - Battery Cable Terminals (5/16")
49	856-0008	4	Washer, External-Internal Terminals (5/16")
50	GROMMET		
	508-0060	1	Battery Cable Through Pan
	508-0180	1	Harness Bracket (Part of Wiring Harness)
51	155-1246	1	Bracket, Muffler Mounting
52	503-0685	2	Clamp, Hose
53	405-2113	1	Guard, Mud
54	320-0549	1	Breaker, Circuit - Begin Spec G
55	301-3734	1	Box, Circuit Breaker Mounting - Begin Spec G
56	301-3735	1	Cover, Circuit Breaker Box - Begin Spec G
57	508-0068	1	Grommet, Circuit Breaker Box - Begin Spec G
58	331-0128	1	Connector, Compression - Flexible Conduit - Begin Spec H
59	330-0028	1	Box, Outlet - Begin Spec H
60	330-0006	1	Cover, Outlet Box - Begin Spec H

IGNITION GROUP (Not Illustrated)

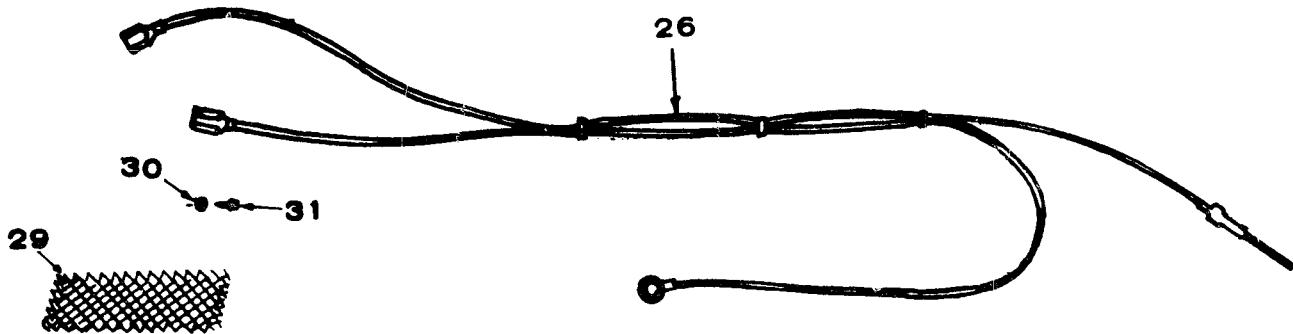
REF. NO.	PART NO.	QTY. USED	PART DESCRIPTION
13	BREAKER BOX ASSEMBLY		
	160-1158	1	Spec A through G (Includes Parts Marked * in Parts Catalog)
	160-1210	1	Begin Spec H (See Separate Group for Components)

BREAKER BOX ASSEMBLY GROUP - BEGIN SPEC H



REF. NO.	PART NO.	QTY. USED	PART DESCRIPTION
1	160-1210	1	Box Assembly, Breaker (Includes Parts Marked *)
2	812-0108	1	*Screw, Machine - Round Head (#10-24 x 1-1/2")
3	526-0008	1	*Washer, Flat (13/64" ID x 7/16" OD x 1/32" Thk)
4	160-1176	1	*Cover, Breaker Box
5	815-0358	1	*Screw, Tapping - Hex Head (#8-32 x 5/16")
6	850-0025	1	*Washer, Lock - Spring (#8)
7	312-0196	1	*Capacitor, Ignition - 30 Mfd
8	802-0034	2	*Screw, Cap - Socket Head (1/4-20 x 3/4")
9	850-0038	2	*Washer, Lock - Spring (1/4)
10	160-1183	1	*Point Assembly, Breaker
11	160-1172	1	*Base, Breaker Box
12	160-1150	1	*Gasket, Breaker Box
13	160-1151	1	Plunger, Breaker Point Assembly
14	336-2378	1	Lead, Electrical - Coil to Breaker Points

GOVERNOR , STARTER , CHARGING ALTERNATOR AND BLOWER HOUSING GROUP



REF. NO.	PART NO.	QTY. USED	PART DESCRIPTION
8	191-1052	1	Starting Motor - Begin Spec G (See Separate Group for Components)
11	STATOR, CHARGING ALTERNATOR		
	191-0931	1	Spec A Through D
	191-1073	1	Begin Spec E
26	HARNESS, WIRING - ALTERNATOR		
	338-0709	1	Spec A Through D
	338-0752	1	Begin Spec E (Illustrated)
29	134-3034	1	Guard, Scroll Outlet
30	526-0012	2	Washer, Flat - Scroll Mounting - Steel (7/32" I. D. x 3/4" O.D. x 1/32" Thick)
31	815-0421	2	Screw, Hex Head Sheet Metal W/ET Washer (#10-16 x 1/2") Steel

GENERATOR GROUP (Not Illustrated)

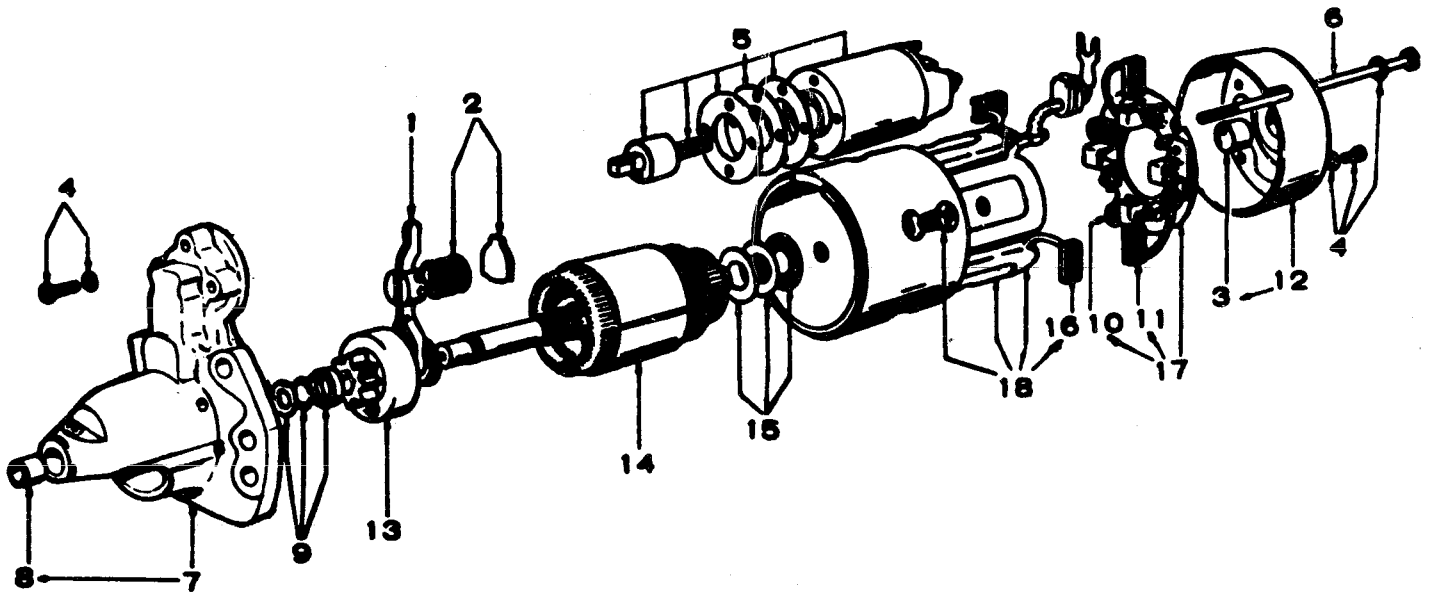
REF. NO.	PART NO.	QTY. USED	PART DESCRIPTION
9	ARMATURE ASSEMBLY, WOUND (Includes Bearing and Collector Ring)		
	201-1987	1	*Spec A through F
	201-1989	1	Begin Spec G
12	FRAME AND STATOR, WOUND		
	220-1858	1	*Spec A through F
	220-1860	1	Begin Spec G
17	REACTOR, COMPOUNDING		
	315-0378	1	Spec A through F
	315-0409	1	Begin Spec G

* - No longer available; order both 201-1989 and 220-1860 for replacement.

FUEL SYSTEM GROUP (Not Illustrated)

REF. NO.	PART NO.	QTY. USED	PART DESCRIPTION
36	154-1572	1	Flange, Exhaust Outlet

STARTER MOTOR PARTS GROUP - BEGIN SPEC G



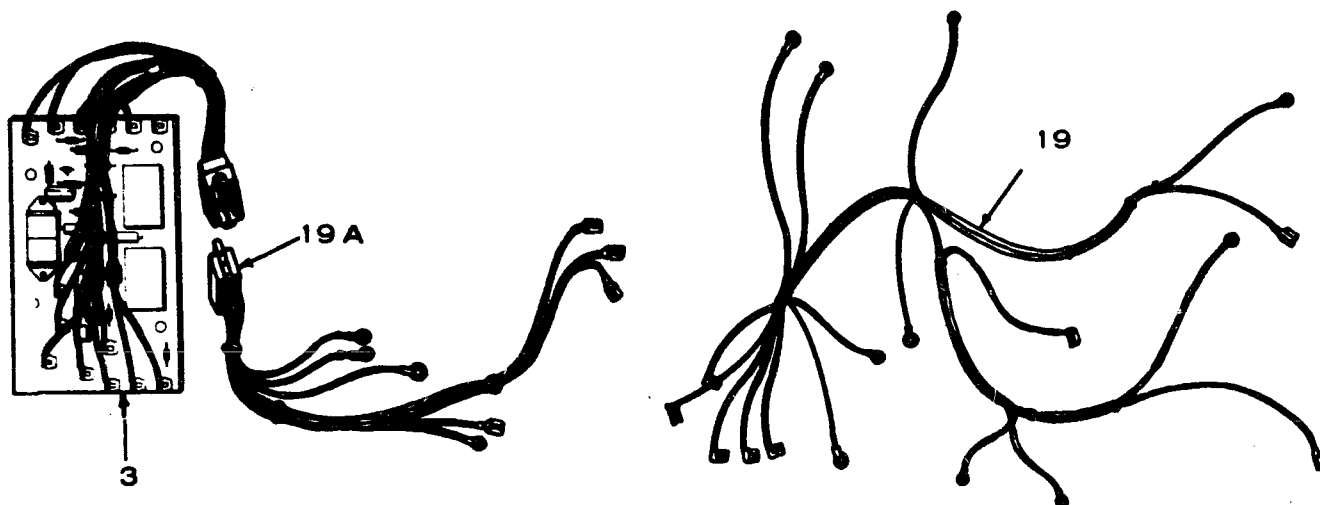
REF. NO.	PART NO.	QTY. USED	PART DESCRIPTION
	191-1052	1	Motor, Starting - Complete
1	191-0983	1	Lever Assembly
2	191-0984	1	Spring Set
3	191-1010	1	Bearing, Rear Bracket Assembly
4	191-1011	1	Screw Set
5	191-0987	1	Switch Assembly
6	191-0988	2	Bolt, Through
7	191-1086	1	Bracket Assembly, Front (Includes Bearing)
8	191-0971	1	Bearing, Front Bracket
9	191-0991	1	Stopper Set, Pinion
10	191-1007	4	*Spring, Brush
11	191-1008	2	*Brush, Negative
12	191-1009	1	Bracket Assembly, Rear (Includes Bearing)
13	191-1087	1	Clutch Assembly
14	191-1088	1	Armature
15	191-0997	1	Washer Set
16	191-1005	2	Brush, Positive
17	191-1006	1	Holder Assembly, Brush (Includes Parts Marked *)
18	191-1089	1	Field Coil Set (Includes Positive Brushes)

* - Parts Included in 191-1006 Brush Holder Assembly.

CRANKSHAFT, FLYWHEEL, CAMSHAFT AND PISTON GROUP (Not Illustrated)

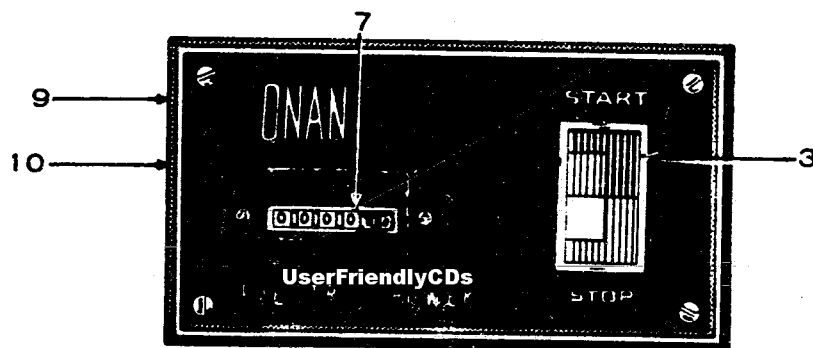
REF. NO.	PART NO.	QTY. USED	PART DESCRIPTION
8	515-0098	1	Key, Flywheel Mounting - Begin Spec G
18	104-0867	1	Crankshaft - Begin Spec G

CONTROL GROUP



REF. NO.	PART NO.	QTY. USED	PART DESCRIPTION
3	CONTROL BOARD (Includes Parts Marked * in Parts Catalog) 300-1073	1	Without Wiring Harness - Spec A Through D
	300-1074	1	With Wiring Harness - Begin Spec E (Illustrated)
19	338-0697	1	Harness, Wiring - Control to Engine (Spec A Through D)
19A	338-0753	1	Harness Wiring - Control to Engine (Begin Spec E)

REMOTE STARTING CONTROL GROUP - OPTIONAL EQUIPMENT



REF. NO.	PART NO.	QTY. USED.	PART DESCRIPTION
3	308-0341	1	Switch, Rocker
7	302-0885	1	Meter, Time Totalizing
9	300-1131	1	Control Assembly, Deluxe Remote (Includes Rocker Switch, Time Totalizing Meter and 301-3776 Panel)
10	301-3776	1	Panel, Control

SPECIAL PARTS LIST FOR **MODEL** 6.0NH-1R **SPEC** 9000 A
 FOR STANDARD PARTS REFER TO **CATALOG** 940-0315 **KEY NO.** _____
 (PARTS CATALOG ALSO CONTAINS COMPONENTS FOR MAJOR OPTIONAL FEATURES LISTED BELOW)
WIRING DIAGRAM NO. 611-1094-01

PART NO.	QTY.	DESCRIPTION	PART NO.	QTY.	DESCRIPTION
		Standard Model Motor Home Power Drawer Refer to Supplement 940-1012			

SPECIAL PARTS LIST FOR **MODEL** 6.0NH-1R **SPEC** 9000 E
 FOR STANDARD PARTS REFER TO **CATALOG** 940-0315 **KEY NO.** _____
 (PARTS CATALOG ALSO CONTAINS COMPONENTS FOR MAJOR OPTIONAL FEATURES LISTED BELOW)

WIRING DIAGRAM NO. 611-1109-01

PART NO.	QTY.	DESCRIPTION	PART NO.	QTY.	DESCRIPTION
----------	------	-------------	----------	------	-------------

Standard Model
 Motor Home Power Drawer
 Refer to Supplement 940-1012

SPECIAL PARTS LIST FOR **MODEL** 6.0NH-1R **SPEC** 9000 G
 FOR STANDARD PARTS REFER TO **CATALOG** 940-0315 **KEY NO.** _____
 (PARTS CATALOG ALSO CONTAINS COMPONENTS FOR MAJOR OPTIONAL FEATURES LISTED BELOW)
WIRING DIAGRAM NO. 611-1109-01

ART NO.	QTY.	DESCRIPTION	PART NO.	QTY.	DESCRIPTION
		Standard Model Motor Home Power Drawer Refer to Supplement 940-1012			

SPECIAL PARTS LIST FOR MODEL 6.0NH-1R SPEC 9000 H
 FOR STANDARD PARTS REFER TO CATALOG 940-0315 KEY NO. _____
 (PARTS CATALOG ALSO CONTAINS COMPONENTS FOR MAJOR OPTIONAL FEATURES LISTED BELOW)
 WIRING DIAGRAM NO. 611-1019-01

PART NO.	QTY.	DESCRIPTION	PART NO.	QTY.	DESCRIPTION
		Standard Model Motor Home Power Drawer Refer to Supplement 940-1012			

SPECIAL PARTS LIST FOR **MODEL** 6.0NH-1R **SPEC** 9500 A
 FOR STANDARD PARTS REFER TO **CATALOG** 940-0315 **KEY NO.** _____
 (PARTS CATALOG ALSO CONTAINS COMPONENTS FOR MAJOR OPTIONAL FEATURES LISTED BELOW)
WIRING DIAGRAM NO. 611-1094-01

PART NO.	QTY.	DESCRIPTION	PART NO.	QTY.	DESCRIPTION
Motor Home Power Drawer					
155-1269	1	Bracket, Muffler Mounting			
122-0322	1	Adapter, Oil Filter			
502-0196	1	Elbow, Low Oil Pressure			
191-1207	1	Shield, Solenoid			
167-1595	1	Cable, Spark Plug - Resistor			
167-1596	1	Cable, Spark Plug - Resistor			
201-1989	1	Armature Assembly, Generator			
220-1860	1	Frame and Stator, Wound			