

PARTS CATALOG

FOR
Onan
ELECTRIC GENERATING PLANTS

DFD
SERIES

ONAN

ENGINE/GENERATOR DIVISION
Studebaker
CORPORATION

2515 UNIVERSITY AVE. S.E. MINNEAPOLIS, MINN. 55414
IN CANADA: ONAN GENERATORS CANADA LTD., P.O. BOX 652, GUELPH, ONTARIO

955-5

INSTRUCTIONS FOR ORDERING REPAIR PARTS

ONAN PARTS

ALL PARTS IN THIS LIST ARE ONAN PARTS. FOR ONAN PARTS OR SERVICE, CONTACT THE DEALER FROM WHOM YOU PURCHASED THIS EQUIPMENT OR REFER TO YOUR NEAREST AUTHORIZED SERVICE STATION.

TO AVOID ERRORS OR DELAY IN FILLING YOUR PARTS ORDER, PLEASE FURNISH ALL INFORMATION REQUESTED. REFER TO THE ONAN NAMEPLATE ON YOUR PLANT. ONAN NAMEPLATE IS LOCATED ON THE UPPER RIGHT SIDE OF THE FLYWHEEL HOUSING. ALWAYS GIVE THE COMPLETE:

MODEL & SPEC NO.
and
SERIAL NO.

ELECTRIC Onan PLANT
MODEL AND SPECIFICATION NO. SERIAL NO.
IMPORTANT MENTION ABOVE NUMBERS AND GEN DATA NO WHEN ORDERING PARTS OR WRITING ABOUT THIS PLANT
RATINGS AT SEA LEVEL BASED ON FUEL CHECKED BELOW:
GASOLINE DIESEL FUEL
STAND BY KW KVA AMPS
CONTINUOUS KW KVA AMPS
A.C. VOLTS CYCLES PHASE P.F.
EXCITER GEN DATA
R.P.M. USE VOLT BATTERY-NEGATIVE GROUND
MANUFACTURED BY ONAN
MINNEAPOLIS, MINNESOTA MADE IN U.S.A.

CUMMINS PARTS

ALL CUMMINS PARTS MUST BE ORDERED FROM THE CUMMINS ENGINE COMPANY, INC., COLUMBUS, INDIANA OR THEIR NEAREST AUTHORIZED CUMMINS DISTRIBUTOR OR DEALER.

REFER TO THE CUMMINS ENGINE NAMEPLATE LOCATED ON THE GEAR COVER ON THE RIGHT SIDE OF THE ENGINE AS VIEWED FACING THE RADIATOR END.

WHEN ORDERING PARTS OR REQUESTING SERVICE INFORMATION, SUPPLY CUMMINS WITH ALL INFORMATION STATED ON THE ENGINE NAMEPLATE.

CUMMINS CUMMINS ENGINE COMPANY, INC.
COLUMBUS, INDIANA, U.S.A.

SBM NO. [] MODEL [] ENG NO. [] OTHER REF. NO. []

PARTS CATALOG

DFD SERIES

This parts catalog applies to the standard ONAN DFD Series electric generating plants. They are powered by a Cummins Model HRS-6 engine which is more completely described in the Cummins manual. Basically, the engine is a 6 cylinder, water cooled, super charged diesel (compression ignition) type. The cylinder bore is 5-1/8 inches, piston stroke is 6 inches, and displacement is 743 cubic inches.

Cummins Engine parts must be selected from the appropriate Cummins parts list and parts must be secured from the Cummins Engine Company or their authorized distributor or dealer.

"Right" and "Left" sides of the Generator and Controls are determined by FACING the Radiator (Front) End.

Parts in this catalog are illustrated in groups and have reference numbers which correspond to the like number in the list for that group. Parts illustrations are typical and should not be construed to represent a particular part number.

Compare your ONAN plant nameplate MODEL and SPEC with the Plant Data Table. The Plant Data Table contains all descriptive information pertinent to this list, such as voltage, phase, etc. which appears in the description of some parts that differ between basic models.

UNLESS OTHERWISE MENTIONED IN THE PARTS DESCRIPTION, PARTS ARE INTERCHANGEABLE BETWEEN ALL MODELS LISTED IN THE DATA TABLE.

PLANT DATA TABLE

MODEL & SPEC NO. †	ELECTRICAL DATA				
	WATTS *	VOLTS	CYCLES	PHASE	WIRE
140DFD-3R8/	140,000	120/240	60	1	3
140DFD-4R8/	140,000	120/208	60	3	4
140DFD-4XR8/	140,000	277/480	60	3	4
140DFD-5DR8/▲	140,000	120/240	60	3	4
140DFD-6R8/	140,000	480	60	3	3
140DFD-7R8/	140,000	220/380	60	3	4
140DFD-9R8/	140,000	600	60	3	3

- † - The NUMBER after the diagonal line (/) signifies standard or optional features (1 is standard). The LETTER ending the Model and Spec No. is the Spec Letter and will advance with manufacturing changes (A to B, B to C, etc.).
- ▲ - This is a delta-wound 240 volt model with one phase center-tapped. A limited amount of 1 phase 120/240 volt power can be utilized together with 3 phase power as long as no terminal current exceeds the rated nameplate current.
- * - Maximum rating is shown. Continuous rating also appears on the nameplate.

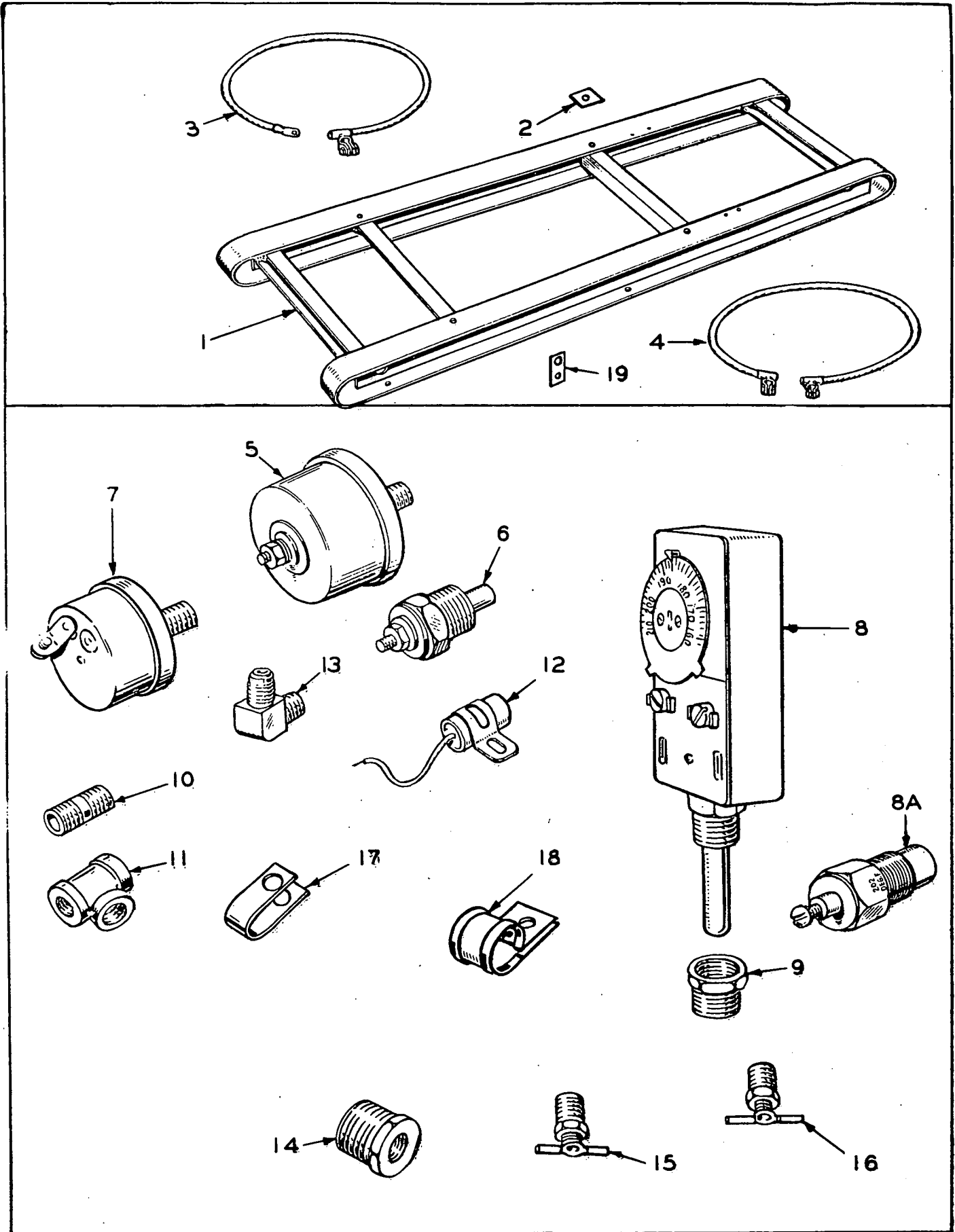


FIG. 1 - MOUNTING BASE, BATTERY CABLES & SENDER GROUP

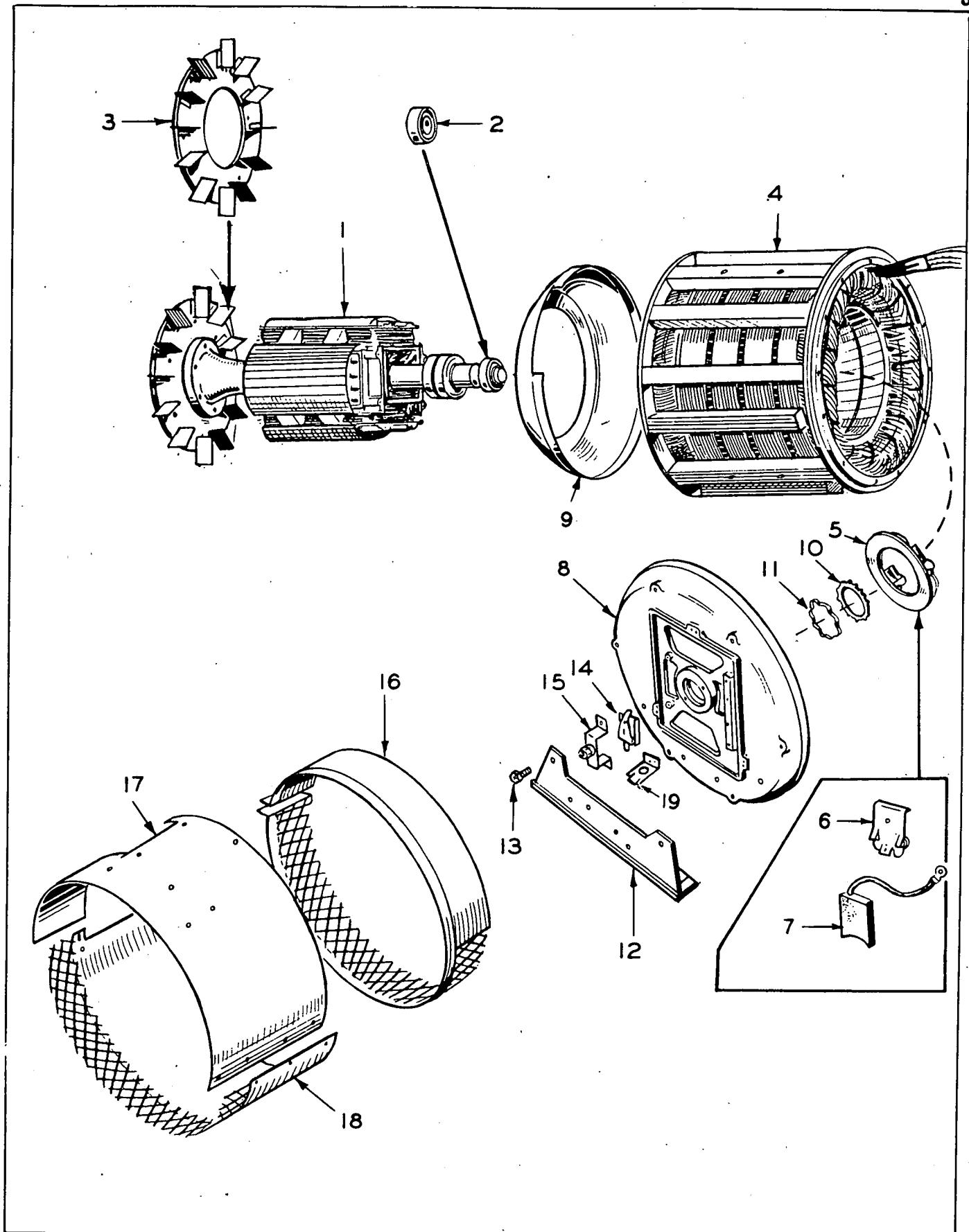


FIG. 2 - GENERATOR GROUP - Alternator Portion

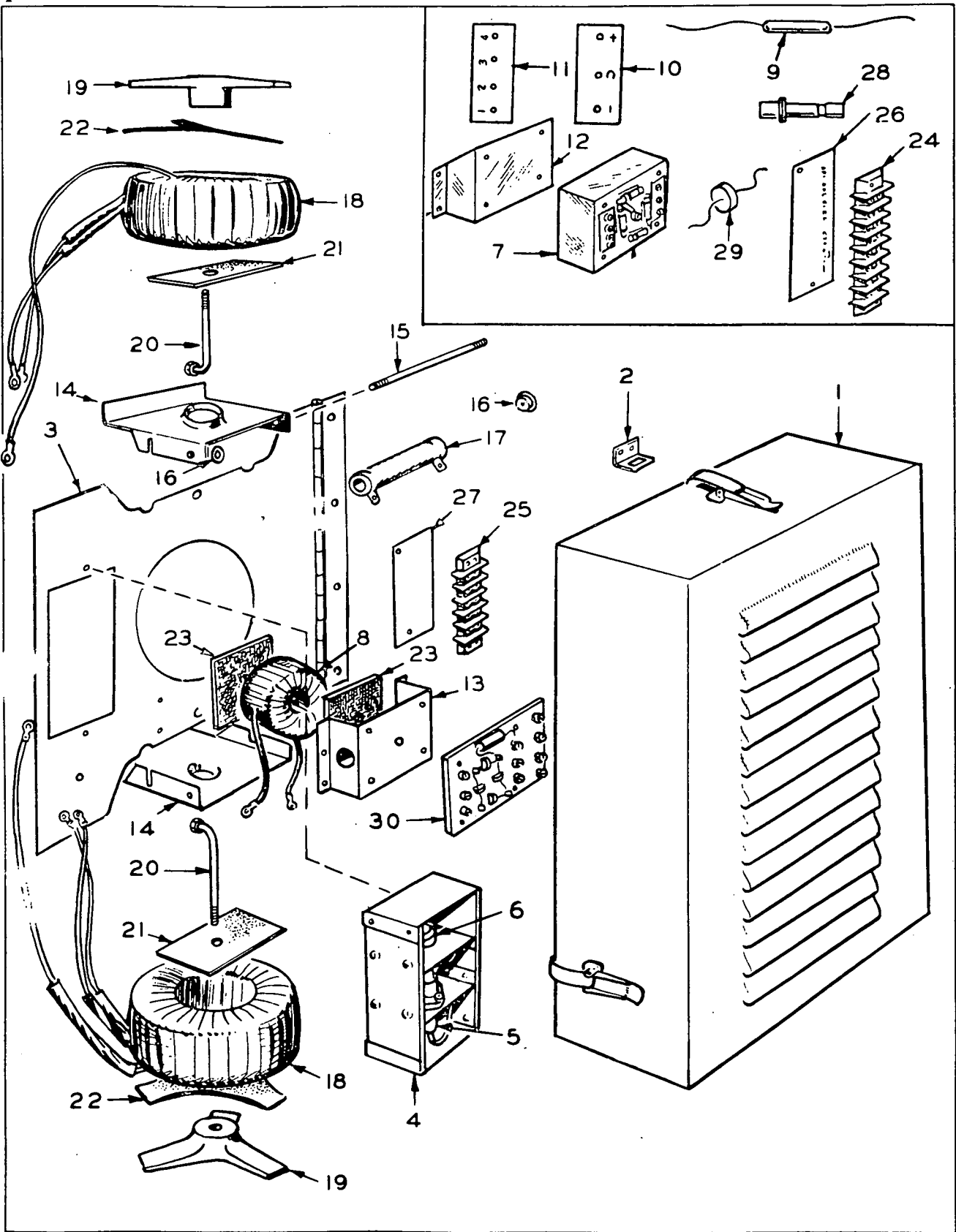


FIG. 3 - GENERATOR GROUP - Exciter Portion

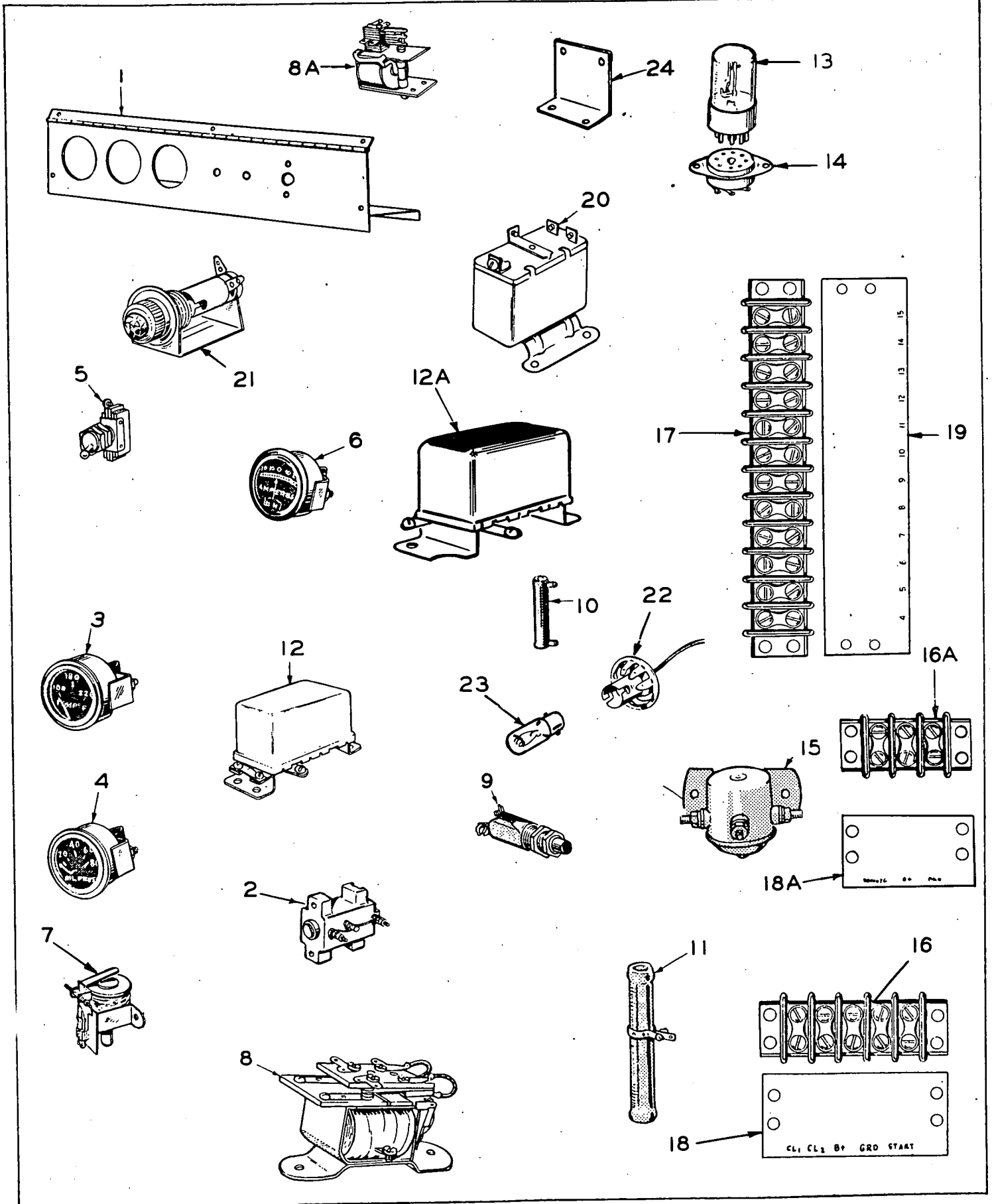


FIG. 4 - CONTROL GROUP - Engine Instruments

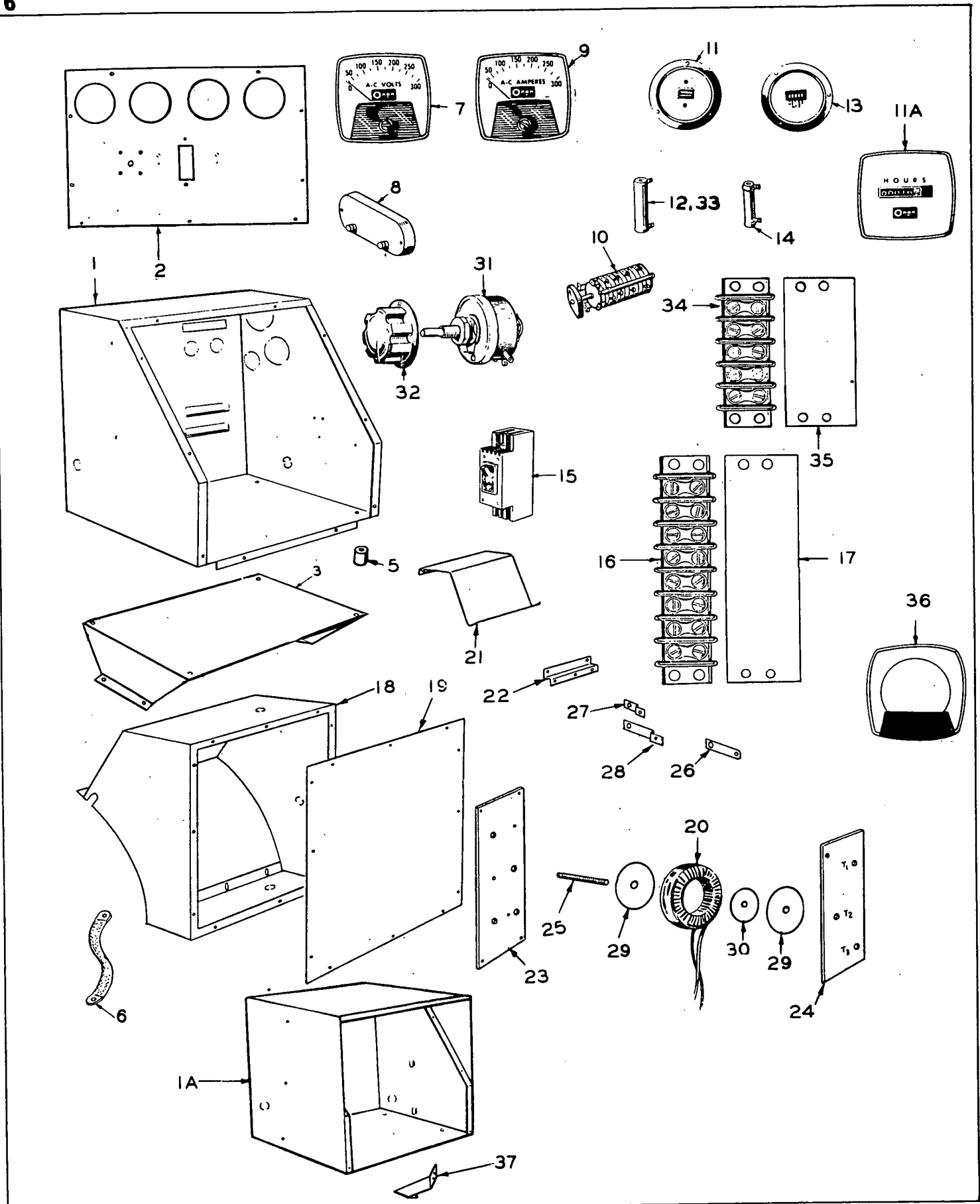


FIG. 5 - CONTROL GROUP - AC Output

PARTS LIST

REF. NO.	PART NO.	QUANT. USED	DESCRIPTION
-------------	-------------	----------------	-------------

REPLACEMENT ENGINE

100P259	1	<p>Engine, Replacement (Cummins Engine Company Model HRS-6) General description: <u>Includes</u> - Complete Cylinder Block; Fuel Pump; Air Cleaner; Fuel Filter; Oil Filter; Starter & Solenoid; Charge Generator & Voltage Regulator; Governor; Radiator; Water Pump; Fan Blades & Belt; Fan Guard; Exhaust Manifold; Flywheel Housing; Engine Supports; and Oil Cooler.</p>
---------	---	--

Excludes - Throttle Control; Engine Wiring; Oil Pressure & Water Temperature Gauge Senders; and Mounting Base.

FIG. 1 - MOUNTING BASE, BATTERY CABLES & SENDER GROUP

1	403C559	1	Base, Mounting.
2	232A1489	2	Shim, Generator to Mounting Base. No. 16 Gauge (.0598).
	232A1490	2	No. 20 Gauge (.0359).
3	416A444	1	Cable, Battery. Positive.
	416A445	1	Negative.
4	416A446	1	Cable, Battery Jumper.
5	193A98	1	Sender, Oil Pressure Gauge (Engine Sending unit only).
6	193A100	1	Sender, Water Temperature Gauge (Engine Sending unit only).
7	309B64	1	Switch, Oil Pressure.
8	309B1	1	Switch, High Water Temperature Cut-off - Adjustable - Use 309A146.
8A	309A146	1	Switch, High Water Temperature Cut-off - Non- Adjustable - Replaces 309B1.
9	505-19	2	Bushing, Pipe Reducer (1/2 x 3/8") High Water Tem- perature Switch (1), Water Temperature Gauge Sender (1).
10	505-98	1	Nipple, Close (1/8" x 3/4") Oil Pressure Tee to Block.
11	505-59	1	Tee, Pipe (1/8") Oil Pressure Switch and Oil Gauge Sender Mounting.
12	312A58	2	Condenser - .1 Mfd. (1) Charge Generator, (1) Charge Regulator - Replaces 312A15.
13	502-218	1	Elbow, Male (5/8" x 1/2") Brass - Fuel Inlet to Injection Pump.
14	505-131	1	Bushing, Pipe Reducer (3/4" x 3/8") Radiator Outlet to Drain Valve.
15,16	504-28	1	Valve Drain Radiator Drain.
16	504-3	1	Cylinder Water Jacket Drain.

PARTS LIST

REF. NO.	PART NO.	QUANT. USED	DESCRIPTION
FIG. 1 - MOUNTING BASE, BATTERY CABLES & SENDER GROUP (Cont.)			
17,18			Clip, Harness - Engine Control Connections.
17	416A96	3	"U" Shaped - All Metal.
18	332-49	2	"O" Shaped - Metal with rubber insulator.
19	191A214	1	Connector, Starter Terminal (1" x 2" Copper Strip).

FIG. 2 - GENERATOR GROUP (Alternator Portion)

NOTE: Output Terminal Box, Cover & Internal Parts are listed in the AC Output Control Group (Mounts on Side of Generator).

1	★	1	Rotor Assembly, Wound - Includes Bearing, Blower and Drive Assembly.
2	510P63	1	Bearing - To Spec E.
2	510P88	1	Bearing - Begin Spec E.
3	205C61	1	Blower.
4	★	1	Stator Assembly, Wound.
5	212C248	1	Rig Assembly, Brush - Includes Brushes & Springs.
6	212B1105	4	Spring, Brush.
7	(214A56)	4	Brush. <i>Use 214-46 on this model</i>
8	211D130	1	Bell, End - Alternator to Exciter - To Spec E.
8	211D153	1	Bell, End - Alternator to Exciter - Begin Spec E.
9	234D69	1	Baffle, Air.
10	232A1186	1	Holder, Bearing - Anti-Rotation - To Spec E.
10	232A1807	1	Holder, Bearing - Anti-Rotation - Begin Spec E.
11	232A1187	1	Spring, Bearing Holder - Anti-Rotation - To Spec E.
11	232A1808	1	Spring, Bearing Holder - Anti-Rotation - Begin Spec E.
12	232D1396	1	Support, Generator Mounting.
13	805-35	4	Bolt, Place - Generator Mounting Support to End Bell.
14	150A717	1	Switch Assembly, Overspeed.
15	150A713	1	Bracket, Overspeed Switch - Includes Contact Point.
16	234D70	1	Band, Generator - Front Portion (Narrow).
17			Band, Generator - Rear Portion - UPPER HALF (Wide).
	234D84	1	Single Phase Models - To Spec C.
	234C140	1	Single Phase Models - Begin Spec C.
	234D89	1	3 Phase Models - To Spec C.
	234C134	1	3 Phase Models - Begin Spec C.
18			Band, Generator - Rear Portion - LOWER HALF (Wide).
	234D86	1	Single Phase Models - To Spec C.
	234C141	1	Single Phase Models - Begin Spec C.
	234D90	1	3 Phase Models - To Spec C.
	234C135	1	3 Phase Models - Begin Spec C.
19	234A107	1	Bracket, Conduit Connector - Begin Spec C.

★ - Order by description, giving Model, Spec & Serial Number (ONAN Nameplate).

PARTS LIST

REF. NO.	PART NO.	QUANT. USED	DESCRIPTION
FIG. 3 - GENERATOR GROUP (Exciter Portion) Model 2SX			
1			Cover, Exciter.
	234D73	1	Prior to Spec "C".
	234D116	1	Begin Spec "C".
2	232A1376	3	Bracket, Fastening - Exciter Cover to Alternator End Bell.
3	234D74	1	Panel Only, Exciter.
4			Rectifier Assembly, Power - Complete.
	305B206	1	Prior to Spec "C" (Includes four #305-205 Rectifiers plus wire and hardware).
	305B228	1	Begin Spec "C" (Includes #305P233 and two #305P234 Rectifiers plus wire and hardware).
5,6			Rectifier Only, Power (Field).
5	305-205	4	Prior to Spec "C" (Included in Rectifier Assembly #305B206).
			Begin Spec "C".
5	305P233	2	Lower two - Negative (Included in Rectifier Assembly #305B228).
6	305P234	2	Upper two - Positive (Included in Rectifier Assembly #305B228).
7,8			Reactor, Voltage Control.
7	315B53	1	Prior to Spec "C" (Includes #304-443 Resistor and four Rectifiers #305B203).
8	315A78	1	Begin Spec "C".
9			Resistor, Voltage Control Reactor.
	304-443	1	Prior to Spec "C" (Included in Reactor Assembly #315B53).
	304P476	1	Begin Spec "C" (Included in Rectifier & Resistor Assembly #305B227).
10,11			Strip, Marker - Voltage Control Reactor Connections - Prior to Spec "C".
10	332A644	1	Marked +, C, -.
11	332A645	1	Marked 1, 2, 3, 4.
12,13			Bracket, Mounting - Voltage Control Reactor.
12	232B1404	1	Prior to Spec "C".
13	234B115	1	Begin Spec "C".
14	234B75	2	Bracket, Gate Reactor Mounting.
15	520A190	1	Stud, Fixed Resistor Mounting.
16	304A15	2	Washer, Fixed Resistor Centering.
17	304-442	1	Resistor, Fixed - Mounts to Gate Reactor Bracket.
18	315A51	2	Reactor, Gate.
19	232A1389	2	Retainer, Gate Reactor.
20	232A1403	2	Stud, Gate Reactor Mounting.
21	232B1388	2	Gasket, Gate Reactor Mounting.

PARTS LIST

REF. NO.	PART NO.	QUANT. USED	DESCRIPTION
FIG. 3 - GENERATOR GROUP (Exciter Portion) Model 2SX (Cont.)			
22	232B1387	2	Gasket, Gate Reactor to Retainer.
23	232A1548	2	Gasket, Control Reactor Coil Mounting Block, Terminal.
24	332A503	1	Prior to Spec "C" (8 Place).
25	332A532	1	Begin Spec "C" (5 Place). Strip, Terminal Block Marker.
26	332A643	1	Prior to Spec "C" - For 8 Place Block.
27	332A693	1	Begin Spec "C" - For 5 Place Block.
28	305-203	4	Rectifier, Voltage Control Reactor. Prior to Spec "C" (Included in Reactor Assembly #315B53).
29	305P218	4	Begin Spec "C" (Included in Rectifier & Resistor Assembly #305B227).
30	305B227	1	Resistor Assy., Rectifier & (Includes #304P476 Resistor and (4) Rectifiers #305P218) - Begin Spec "C".

FIG. 4 - CONTROL GROUP (Engine Instruments Portion)

1			Panel Only, Lower Control -
	301C1672	1	Prior to Spec "D".
	301C2124	1	Begin Spec "D".
2	320A104	1	Limiter, Cranking.
3	193B112	1	Gauge, Water Temperature (Panel Unit Only).
4	193B111	1	Gauge, Oil Pressure (Panel Unit Only).
5			Switch, Toggle -
	308P2	1	Panel Lights - Begin Spec "D".
	308P2	1	RUN, STOP, AUTOMATIC - Prior to Spec "D".
	308P138	1	RUN, STOP, REMOTE - Begin Spec "D".
6	302A61	1	Ammeter, Charge (30-0-30).
7	307A388	1	Relay, Time Delay.
8,8A			Relay, Emergency Stop -
8	307B299	1	Prior to Spec "D".
8A	307A655	1	Begin Spec "D" - Latching.
9	308-91	1	Button, Emergency Stop Re-set - Prior to Spec "D".
10			Resistor, Fixed -
	304A446	2	(1) Water Temperature Gauge, (1) Oil Pressure Gauge (150 Ohm, 10 Watts) 5/16 x 1-3/4".
	304A262	3	(1) Start-Disconnect Relay (2) Emergency Stop Relay (50 Ohm, 10 Watt) 5/16 x 1-3/4" - Prior to Spec "D".
	304A262	1	Start-Disconnect Relay (50 Ohm, 10 Watt) 5/16 x 1-3/4" - Begin Spec "D".

PARTS LIST

11

REF. NO.	PART NO.	QUANT. USED	DESCRIPTION
FIG. 4 - CONTROL GROUP (Engine Instruments Portion) Cont.			
10 (cont.)	304A248	1	Time Delay Relay (100 Ohm, 10 Watt) 5/16 x 1-3/4".
	304A276	1	Between Fuel Solenoid Relay and Emergency Stop Relay (75 Ohm, 10 Watt) 5/16 x 1-3/4" - Begin Spec "D".
	304A62	1	Pilot Relay (25 Ohm, 25 Watt) 3/4 x 2" - Begin Spec "D".
11			Resistor, Adjustable -
	304A66	1	Between Start-Disconnect Relay and Cranking Limiter - 3/4 x 4".
	304A194	1	Between Fuel Solenoid Relay and Start-Disconnect Relay - 9/16 x 2".
12,12A			Relay, Fuel Solenoid -
12	307B4	1	Prior to Spec "D".
12A	307B597	1	Begin Spec "D".
13			Relay, Cycle Cranking - Plug-in Type -
	307-509	1	Prior to Spec "D" - 15 Second Delay.
	307A697	1	Begin Spec "D" - 10 Second Delay.
	307A753	1	Begin Spec "D" - 5 Second Delay.
14	323-52	2	Socket, Cycle Cranking Relay (Prior to Spec "D"; 1 Only Used).
15	307-61	1	Relay, Pilot.
16,16A,17			Block, Terminal -
16	332A604	1	Remote Operation Connection (5 Place) - Prior to Spec "D".
16A	332A611	1	Remote Operation Connection (3 Place) - Begin Spec "D".
17	332A607	1	Engine Connection (12 Place).
18,18A,19			Strip, Block Marker -
18	332A679	1	For Remote Operation Block (Marked CL1, CL2, B+, GND, START) - Prior to Spec "D".
18A	332A762	1	For Remote Operation Block (Marked REMOTE, B+, GND) - Begin Spec "D".
19	332A608	1	For Engine Connection Block (Marked 4 through 15).
20	307B52	1	Relay, Start-Disconnect.
21	322P69	1	Receptacle, Pilot Light - Begin Spec "D".
22	322P72	2	Receptacle, Panel Light - Begin Spec "D".
23	322P17	3	Bulb, (1) Pilot Light (2) Panel Lights - Begin Spec "D".
24	301A1685	1	Bracket, Time Delay Relay Mounting

PARTS LIST

REF. NO.	PART NO.	QUANT. USED	DESCRIPTION
FIG. 5 - CONTROL GROUP (AC Output Portion)			
1,1A			Box Only, Control -
1	301D1537	1	Prior to Spec "D".
1A	301D2115	1	Begin Spec "D".
2	★	1	Panel Only, Upper Control.
3	301C1830	1	Bracket, Control Box Mounting - Single Piece (Replaces two piece brackets).
5	402-78	4	Rubber, Mounting - Control Box to Mounting Bracket.
6	337A44	1	Strap, Ground.
7			Voltmeter, AC (Check VOLTMETER Scale - Select according to rating.) -
	302P421	1	Voltmeter Scale Reads 0-300 - Replaces 302-41.
	302P422	1	Voltmeter Scale Reads 0-600 - Replaces 302-42.
	302P423	1	Voltmeter Scale Reads 0-750.
8	302-157	1	Multiplier, Meter (Resistor) Voltmeter to Selector Switch (Use Only with 0-500 Scale Voltmeter) - Prior to Spec "D".
9			Ammeter, AC (Check AMMETER Scale - Select according to rating) -
	302P411	1	Ammeter Scale Reads 0-200.
	302P413	1	Ammeter Scale Reads 0-300 - Replaces 302-14.
	302P414	1	Ammeter Scale Reads 0-500 - Replaces 302-371.
	302P415	1	Ammeter Scale Reads 0-750 - Replaces 302-384.
10	308-22	1	Switch, Voltage and Current Selector.
11,11A			Meter, Running Time -
11			Prior to Spec "D" -
	302-212	1	60 Cycle Plants - (NOTE: When used to replace #302-387 Meter on early 480 volt & 277/480 volt plants also order #304A125 Resistor).
	302-102	1	50 Cycle Plants.
11A			Begin Spec "D" -
	302P465	1	For 120/208, 120/240, and 600 Volt, 3 Phase 60 Cycle Plants.
	302P466	1	For 220/380 Volt, 3 Phase, 60 Cycle Plants.
	302P467	1	For 277/480 Volt, 3 Phase, 60 Cycle Plants.
	302P469	1	For 220/380 Volt, 3 Phase, 50 Cycle Plants
12			Resistor, Running Time Meter -
	304A99	1	5, 000 Ohm, 10 Watt (Used only with #302-212 Meter on 120/240 volt, 3 phase plants prior to Spec "C").
	304A125	1	15, 000 Ohm, 25 Watt (Used only with #302-212 Meter on 480 and 277/480 volt plants prior to Spec "D").
	304A444	1	2, 500 Ohm, 10 Watt (Used only with #302-387 Meter on early 120/240 volt, 3 phase plants prior to Spec "C").

★ - Order by description, giving Model, Spec & Serial Number (ONAN Nameplate).

PARTS LIST

REF. NO.	PART NO.	QUANT. USED	DESCRIPTION
FIG. 5 - CONTROL GROUP (AC Output Portion) Cont.			
(cont.)			
12	304A445	1	6, 500 Ohm, 25 Watt (Used only with #302-387 Meter on early 480 volt and 277/480 volt plants).
	304A536	1	9, 000 Ohm, 50 Watt (Used only with #302P465 Meter on 600 volt plants - Begin Spec "D").
13			Meter, Frequency -
	302-213	1	60 Cycle Plants.
	302-234	1	50 Cycle Plants.
14			Resistor, Frequency Meter -
	304A305	1	45, 000 Ohm, 10 Watt (Used only on 480 volt and 277/480 volt, 3 phase plants.
	304A125	1	15, 000 Ohm, 25 Watt (Used only on 120/240 volt, 3 phase plants prior to Spec "C" and 220/380 volt, 3 phase plants begin Spec "D").
	304A402	1	60, 000 Ohm, 10 Watt (Used only on 600 volt, 3 phase plants).
15			Breaker, Circuit.
	320B18	1	Single Phase Plants.
	320B2	1	3 Phase Plants.
16	332A503	1	Block, Terminal (8 Place).
17	332A601	1	Strip, Block Marker (Marked 15 through 22).
18	301E1675	1	Box Only, Output Terminal - Mounts on Side of Generator.
19	301B1676	1	Cover, Output Terminal Box.
20			Transformer, Current (Mounts in Output Terminal Box) Check TRANSFORMER Nameplate - Select according to rating.
	302B106	3	Transformer Nameplate Reads "Ratio 200/5" (Use with 0-200 Scale AC Ammeter)
	302B107	3	Transformer Nameplate Reads "Ratio 300/5" (Use with 0-300 Scale AC Ammeter).
	302B372	3	Transformer Nameplate Reads "Ratio 500/5" (Use with 0-500 Scale AC Ammeter).
	302B385	3	Transformer Nameplate Reads "Ratio 750/5" (Use with 0-750 Scale AC Ammeter) NOTE: Single Phase Models use quantity of 2.
21,22			Bracket, Current Transformer Bottom Panel Mounting (Bolts to Generator Frame) - Prior to Spec "C".
21	232C1391	1	Upper (Large).
22	232C1390	1	Lower (Small).
23			Panel Only, Current Transformer Mounting - Bottom Panel (Mounts Output Terminal Studs) - Prior to Spec "C".
	232C1418	1	Single Phase Plants.
	232C1385	1	3 Phase Plants.

PARTS LIST

REF. NO.	PART NO.	QUANT. USED	DESCRIPTION
FIG. 5 - CONTROL GROUP (AC Output Portion) Cont.			
24			Panel Only, Current Transformer Retaining - Top Panel - Prior to Spec "C".
	232B1419	1	Single Phase Plants.
	232B1386	1	3 Phase Plants.
25			Stud, Output Terminal - Copper - Prior to Spec "C".
	232A1420	2	Single Phase Plants (7/8-14" x 6-1/2").
	232A1400	4	3 Phase Plants (5/8-18" x 6").
26			Strap, Output Terminal - Copper - Terminal Stud to Ground - Prior to Spec "C".
	337A58	1	Single Phase Plants (3-3/8" x 1-1/2").
	337A57	1	3 Phase Plants (3-1/4" x 1").
27			Strap, Output Terminal - Copper - GROUNDED Stud to Machine Screw - Prior to Spec "C".
	232A1416	1	Single Phase Plants (2-3/4" x 1-1/2").
	232A1397	1	3 Phase Plants (2-1/4" x 1").
28			Strap, Output Terminal - Copper - UNGROUNDED Studs to Machine Screw - Prior to Spec "C".
	232A1415	2	Single Phase Plants (4-1/4" x 1-1/2").
	232A1398	3	3 Phase Plants (3-3/8" x 1").
29			Washer, Neoprene Insulating - Current Transformer Mounting - Prior to Spec "C".
	508A81	4	Single Phase Plants (4-1/2" O.D.).
	508A79	6	3 Phase Plants (3" O.D.).
30			Washer, Fibre - Current Transformer Mounting - Prior to Spec "C".
	508A83	2	Single Phase Plants (2-1/4" O.D.).
	508A82	3	3 Phase Plants (1-1/2" O.D.).
31	303-111	1	Rheostat, Voltage Regulator - 175 Ohm, Model H - Begin Spec "C".
32	303-32	1	Knob, Rheostat - Begin Spec "C".
33	304A484	1	Resistor, Fixed - Rheostat (825 Ohm, 75 Watt) - Begin Spec "C".
34	332A604	1	Block, Terminal - Exciter Connections (5 Place) - Begin Spec "C".
35	332A690	1	Strip, Block Marker (5 Place) - Begin Spec "C".
36	302B448	As Req.	Plate, Meter Face - For appearance only - to give round meter a square appearance.
37	301A1914	1	Bracket, Panel Stop - Begin Spec "D".