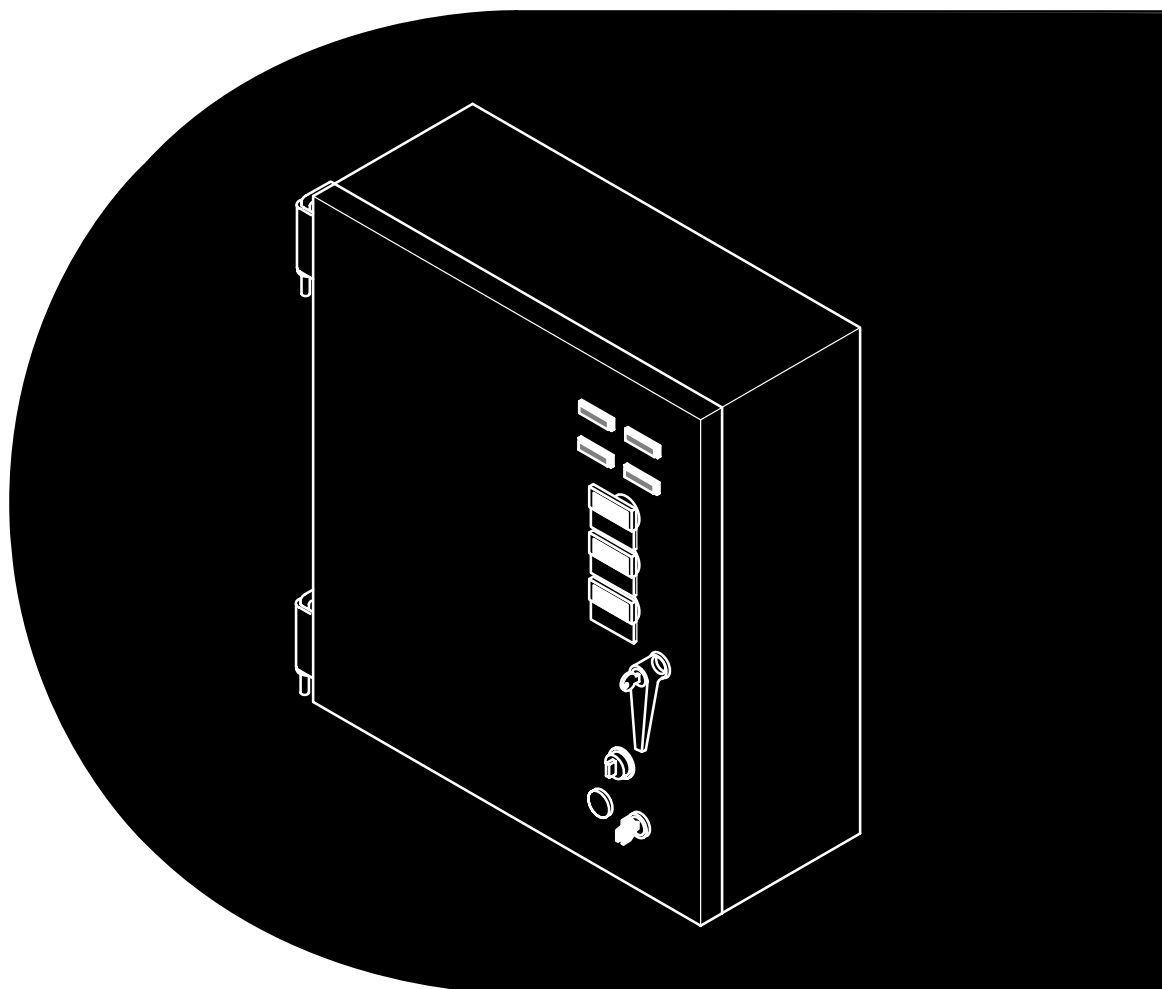


# Parts Catalog

Models

OT/ON-CT/CN 150/225/260 AMP

OTIII TRANSFER SWITCH



Printed in U.S.A.

962-0219B (Spec G - K) 8-2001  
Replaces Spec G, H & J 6-1994

## MODEL IDENTIFICATION

This catalog covers models produced under the Cummins®/Onan® and Cummins Power Generation brand names.

To avoid errors or delay in filling your parts order, always give the MODEL, SPEC NO. and SERIAL NO. from the Cummins Power Generation nameplate.

For handy reference, insert your nameplate information in the spaces below.

MODEL AND SPEC NO.

SERIAL NO.

DIGITAL CONTROL SOFTWARE VERSION  
AND DATE (IF APPLICABLE)

## SAFETY PRECAUTIONS

The following symbols are used in Cummins Power Generation manuals to alert users to the potentially dangerous conditions relating to maintenance of equipment and replacement of parts. Please read and observe.



*This symbol warns of immediate hazards which will result in severe personal injury or death.*



*This symbol refers to a hazard or unsafe practice which can result in severe personal injury or death.*



*This symbol refers to a hazard or unsafe practice which can result in severe personal injury or product or property damage.*

## PRODUCT SAFETY PRECAUTIONS



***Service and repair of Cummins Power Generation equipment must be performed by trained, experienced personnel only. Improper service or repair may result in property damage, severe personal injury or death. Do not use this catalog as a guide to servicing your equipment. Read and follow the IMPORTANT SAFETY INSTRUCTIONS in the Service Manual appropriate for the equipment you are working on.***



***Contact with USED ENGINE OILS has been identified by a United States federal agency and some USA state agencies as causing CANCER or REPRODUCTIVE TOXICITY. When checking or changing engine oils take all necessary precautions not to ingest, breathe the fumes or contact the used oil.***



***Contact with ASBESTOS has been identified by a United States federal agency and some USA state agencies as causing CANCER or REPRODUCTIVE TOXICITY. When handling engine gaskets take all necessary precautions not to ingest, breathe or contact the dust from the gaskets! Use adequate ventilation and wear protective gloves, masks and clothing!***



***Contact with BENZINE and LEAD, found in gasoline, fuel additives and solvents has been identified by a United States federal agency and some USA state agencies as causing CANCER or REPRODUCTIVE TOXICITY. When checking, draining or adding gasoline and fuel additives or using solvents take all necessary precautions not to ingest, breathe the fumes or contact the liquids. Use adequate ventilation and wear protective gloves, masks and protective clothing!***

PSP-1

## Introduction

This catalog applies to the OTIII Specs G - K Transfer Switches as indicated below. Each illustrated part is identified by a reference number corresponding to the same reference number in the parts list for that group. Parts illustrations are typical. Using the model and spec number from the switch box nameplate, select the parts that apply to your automatic transfer switch. Unless otherwise noted in the parts description, parts are interchangeable between models.

### Model Selection Table

**OT C U 225 A 00000 G**

**Transfer Switch Series**

OT = 3 Pole  
ON = 4 Pole

**Application Code**

A = Non-Automatic  
B = Utility to Utility  
C = Utility to Generator Set (2 wire)  
D = Generator Set to Generator Set  
E = Generator Set to Generator Set (3 wire)  
F = Remote Control (Slave)  
G = Remote Control (LRS)  
H = Utility to Generator Set

**Standards Code**

U = UL Listed  
C = CSA Approved  
N = No Approval Required

**Ampere Rating**

150, 225, 260

**Specification Letter**

Designates Major Manufacturing Changes

**Specification Number**

Factory code designating a combination of accessories

**Voltage & Frequency Code**

A = 120 V 60 Hz 1 Ph 2 Wire  
B = 120/240 V 60 Hz 1 Ph 3 Wire  
C = 120/208 V 60 Hz 3 Ph 4 Wire  
D = 120/240 V 60 Hz 3 Ph 4 Wire  
E = 240/480 V 60 Hz 3 Ph 4 Wire  
F = 220/380 V 60 Hz 3 Ph 4 Wire  
G = 277/480 V 60 Hz 3 Ph 4 Wire  
H = 347/600 V 60 Hz 3 Ph 4 Wire  
J = 120/240 V 60 Hz 1 Ph 4 Wire  
K = 416-440,480 V 60 Hz 3 Ph 4 W  
M = 110/220 V 50 Hz 1 Ph 4 Wire  
N = 120/240 V 50 Hz 1 Ph 3 Wire  
P = 120/240 V 50 Hz 1 Ph 4 Wire  
S = 120/240 V 50 Hz 3 Ph 4 Wire  
T = 220/380 V 50 Hz 3 Ph 4 Wire  
U = 240 V 50 Hz 1 Ph 2 Wire  
Y = 380,400,416 V 50 Hz 3 Ph 4 W  
R = Special

Feature Options can be determined by reading them off the nameplate or by accessing the following screen through the Distributor On-Line computer system. Note that the first digit typed on this screen is a code number corresponding to an individual Cummins Power Generation product (1=Engines, 2=Gensets, 5=Generator Ends, 6=LT's, 7=OT's/BT's) and that the spec number is always kept to the right and zero filled if the spec number is less than five digits.

**MAD2**  
**ITEM NO: 702835**  
.....

**A015 260 Amps Continuous**  
**A029 4 Pole Switch for Program**  
**A035 Utility to Genset**  
**A042 Three Phase (3 or 4 Wire)**  
**A044 60 Hz Frequency**  
**A046 UL Listed**

# Index

- Adhesive, **31**
- Ammeter, **31**
  
- Bar, Interlock, **13**
- Barrier, **11**
- Barrier, Base, **13**
- Barrier, Chute - Arc, **16**
- Barrier, Switch, **17**
- Base, Mounting, **13**
- Block & Contact Assembly, **15**
- Block & Cross Bar Assembly, **16**
- Block - Component, **16**
- Block and Cross Bar Assembly, **13**
- Block, Auxiliary, **25**
- Block, Contact, **29, 32**
- Block, Terminal, **11, 23, 25**
- Block, Terminal - Sectional, **27, 40, 41, 44, 46, 47, 51**
- Board, PC - 2 to 3 Wire Convertor, **47**
- Board, PC - Battery Charger, **35, 37, 39**
- Board, PC - Elevator Signal, **41**
- Board, PC - Mother, **21**
- Board, PC - Programmed Transition, **43**
- Board, PC - Sequencer, **49**
- Board, PC - Time Delay, **21**
- Board, PC - Transformer, **21**
- Board, PC - Voltage Sensor, **21**
- Bracket, Accessory Control Plate, **23**
- Bracket, Door, **31**
- Bracket, End, **33, 51**
- Bracket, End - Terminal, **27, 40, 41, 44, 46, 47**
- Bracket, Mounting - Circuit, **52**
- Bracket, Mounting - Cross Bar, **16**
- Bracket, Plate - Door, **25**
- Bracket, Switch - Auxiliary, **17**
- Bracket, Terminal, **11**
- Breaker, Circuit, **11**
- Breaker, Circuit - Heaters, **52**
- Breaker, Circuit - Main, **52**
- Bumper, **31**
- Bus, Load, **15**
- Bus, Normal & Emergency, **15**
  
- Cabinet, **51**
- Cabinet, Control, **29**
- Capacitor, **11**
- Channel, Support, **15**
- Chute, Arc, **15, 16**
- Clip, Pin, **31**
- Clock, Exerciser, **42**
- Contactors, Interlocking, **25**
- Cover, Transition - Programmed, **43**
- Cover, Board - PC, **21**
- Cover, Charger - Battery, **35, 37, 39**
- Cover, Chute - Arc, **15**
- Cover, Contact, **11**
- Cover, Meter, **31**
  
- Cover, Signal - Elevator, **41**
- Cover, Start - 3 Wire, **47**
- Cross Bar Assembly, **16**
  
- Door, Cabinet, **31, 51**
  
- Edging, **31**
  
- Fuse, **35, 37, 39**
  
- Gasket, Cover - Meter, **31**
- Gasket, Door, **31**
- Guide, Rod, **31**
  
- Handle Assembly - Actuator, **19**
- Handle Assembly, Actuator, **15**
- Handle, Door, **29**
- Handle, Switch, **19**
- Harness, Wiring - 3 Wire Start, **47**
- Harness, Wiring - Battery Charger, **35, 37, 39**
- Harness, Wiring - Battery Charger Alarm, **40**
- Harness, Wiring - Elevator Signal, **41**
- Harness, Wiring - Main, **23, 27**
- Harness, Wiring - Main (600 Volts), **25**
- Harness, Wiring - Meter, **29**
- Harness, Wiring - Programmed Transition, **43**
- Harness, Wiring - Transfer Switch, **15**
- Hinge, Door, **31**
- Holder, Fuse, **35, 37, 39**
- Housing, Lamp, **27**
- Housing, Pin, **50**
- Housing, Socket, **50**
  
- Insulator, Chute - Arc, **15, 16**
- Interlock, Arm, **13**
  
- Key, **32**
- Key, Replacement, **29**
  
- Label, Block - Terminal, **41, 44, 46, 47**
- Label, Cover, **21**
- Label, Operation, **32**
- Label, Switch, **21, 32**
- Lamp, Indicating, **27**
- Latch, Cam, **31**
- Latch, Cam - 3 Point, **31**
- Light, Indicating, **29**
- Log, Mounting Block, **15**
- Lug, Solderless, **13**
  
- Marker, Adhesive - Relay, **32**
- Meter, Ampere - DC, **35, 37, 39**
- Meter, Frequency, **29**
- Module, Alarm, **45**
- Mount, Tie - Cable, **35, 37, 39**
  
- Paint, Green, **31**

# Index

- Pin and Ribbon Assembly, **41, 47**
- Pin Assembly, Ribbon, **21**
- Pin, Contact, **50**
- Pin, Hinge, **31**
- Plate, Clock - Exerciser, **42**
- Plate, Door, **23, 25**
- Plate, End - Terminal, **27, 40, 41, 44, 46, 47**
- Plate, End -Terminal , **51**
- Plate, Mounting - Handle, **13**
- Plate, Mounting - Sequencer, **49**
- Plate, Open Construction, **27**
- Plate, Relay, **48**
- Plug, Hole, **21, 29, 31**
- Plug, Keying, **21**
  
- Rail, Block - Terminal, **40**
- Rail, Terminal, **27, 33, 41, 44, 46, 47, 51**
- Rectifier, Bridge, **37, 39**
- Rectifier, SCR, **37, 39**
- Relay, 24VAC, **23, 25**
- Relay, 4 Pole - 24 VAC, **23**
- Relay, Control, **32, 33**
- Relay, Monitor, **48**
- Relay, Programmed Transition, **43**
- Resistor, Fixed, **35**
- Rod, Actuator, **11**
- Rod, Roller, **31**
- Rod-End, Actuator, **11**
  
- Sequencer, **49**
- Shield, **27**
- Shield, Accessory Control Plate, **23, 25**
- Shield, Meter, **29**
- Sleeving, Insulation, **31**
- Socket, Contact, **50**
- Spacer, Actuator, **11**
  
- Spacer, Bar - Neutral, **31**
- Spacer, Threaded, **15**
- Splice, Inline, **45**
- Spring, Conical, **31**
- Standoff, Insulator, **15**
- Strain Relief, **50**
- Strap, Jumper, **13**
- Strap, Lead, **15**
- Strap, Line, **16**
- Switch - Assembly, **13**
- Switch Assembly - Transfer, **7, 9, 11**
- Switch Assembly, Auxiliary, **13, 17**
- Switch, Selector, **29, 31, 32**
- Switch, Snap-Action, **17**
- Switch, Toggle, **23, 25**
  
- Tag, Terminal, **41, 44, 46, 47**
- Template, Module - Alarm, **45**
- Terminal, Jumper, **11**
- Terminal, Ring, **33**
- Terminal, Spade, **35, 37, 39**
- Terminal, Tap - Plier, **33**
- Tie, Cable, **32, 35, 37, 39, 41, 42, 43, 47**
- Transformer (Primary Voltage), **35, 37, 39**
- Transformer, Current, **31, 51**
- Transformer, Power, **23, 25, 27**
- Transformer, Stepdown, **31**
- Transition, Programmed, **43**
  
- Voltmeter - AC, **29**
  
- Washer, Centering, **35**
- Washer, Spring - Conical, **13, 15**
- Wrapper, Charger - Battery, **35, 37, 39**
- Actuator, Linear, **11**

## Feature/Options

Beginning with Spec J, feature option codes applicable to the individual unit are listed on the Transfer Switch Nameplate. The following describes these codes;

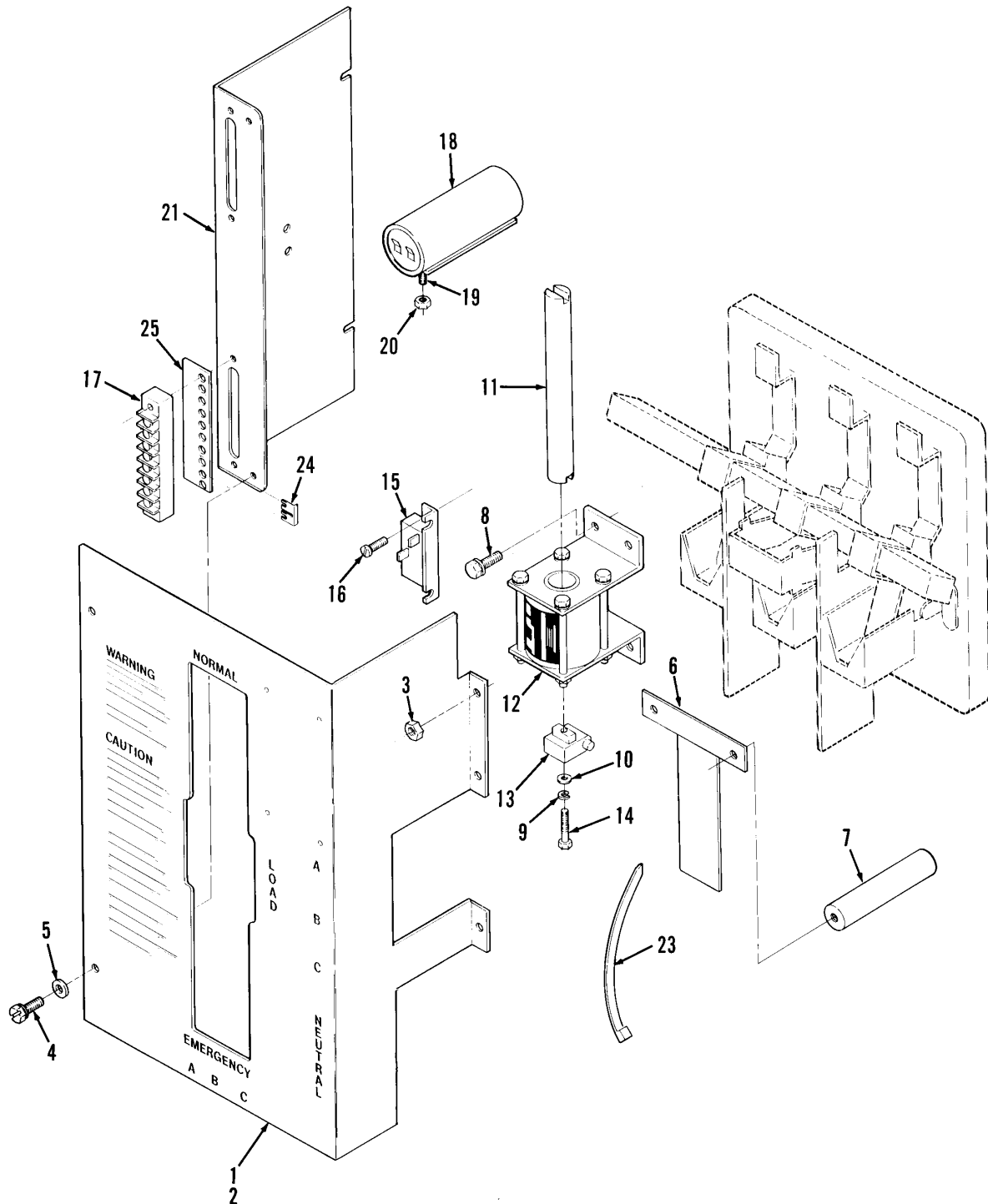
A028	Poles - 3	L005	Auxiliary Relay - Normal Source
A029	Poles - 4	L101	Auxiliary Relay - 24 VDC Coil
A035	Application - Utility to Genset	L102	Auxiliary Relay - Emergency Position
A036	Application - Utility to Utility	L103	Auxiliary Relay - Normal Position
A037	Application - Genset to Genset	L104	Auxiliary Relay - Genset Start
A038	Application - Non-Automatic/Remote	L201	Auxiliary Relay - 12 VDC Coil
A041	System - 1 Phase 2 or 3 Wire	L202	Auxiliary Relay - Emergency Position
A042	System - 3 Phase 3 or 4 Wire	L203	Auxiliary Relay - Normal Position
A044	Frequency - 60 Hertz	L204	Auxiliary Relay - Genset Start
A045	Frequency - 50 Hertz		
A046	Listing - UL	M001	Module - Signal
A047	Certification - CSA	M002	Module - 3 Wire Start
A048	Listing - Not Applicable	M003	Terminal Block - 30 Place
		M004	Monitor - Phase/Sequence Balance
B001	Cabinet - Type 1	M006	Sequencer - Standby Set Start 12 Volt
B002	Cabinet - Type 3R	M007	Load Shed - From Emergency
B003	Cabinet - Type 4	M008	Module - Alarm
B004	Construction - Open	M010	Sequencer - Standby Set Start 24 Volt
C015	Start Time Delay - 90 Seconds	N001	Switch - Auto/Manual
C016	Control - Over Voltage & Over/Under Hertz Source 2	N002	Terminal Block - Battery Charger Alarm
C017	Control - Over Voltage & Over/Under Hertz Source 1	N005	Terminal Block - Source 1/2 Remote Signal
		N009	Power Connect - Bus Stubs
D001	Meters - None	N013	Harness, Extension - 4 Feet
D002	Meters - Door Mounted		
		R020	Voltage - 120
J001	Clock - 7 Day Exerciser	R021	Voltage - 208
J021	Programmed Transition 0.5 to 7.5 Second Delay	R022	Voltage - 220
		R023	Voltage - 240
J022	Programmed Transition 1 to 60 Second Delay	R024	Voltage - 380
		R025	Voltage - 416
		R026	Voltage - 480
		R027	Voltage - 600
K001	Battery Charger - 2 Amp, 12/24 Volt	S049	Current Rating - 150 Amps
K002	Battery Charger - 10 Amp, 12 Volt	S050	Current Rating - 225 Amps
K003	Battery Charger - 10 Amp, 24 Volt	S051	Current Rating - 260 Amps
L001	Auxiliary Relay - 24 VAC Coil		
L002	Auxiliary Relay - Emergency Position		
L003	Auxiliary Relay - Normal Position		
L004	Auxiliary Relay - Emergency Source		

## Abbreviations

Some of the following abbreviations may be used throughout this Parts Catalog;

Alternating Current	AC
Ampere	Amp
As Required	A/R
Automatic Voltage Regulator	AVR
Direct Current	DC
External Tooth	ET
External-Internal Tooth	EIT
Inside Diameter	ID
Internal Tooth	IT
Kilowatt	kW
Liquid Petroleum Gas	LPG
Left	LT
Meter	M(meter number)
Millimeter	mm
Not for sale	NFS
Nominal Pipe Thread	NPT
Outside Diameter	OD
Phase	Ph
Printed Circuit	PC
Right	RT
Specification	Spec
Union National Coarse	UNC
Union National Fine	UNF
Volts Alternating Current	VAC
Volts Direct Current	VDC
With	W/(ET, IT, or EIT)

# Transfer Switch Assembly



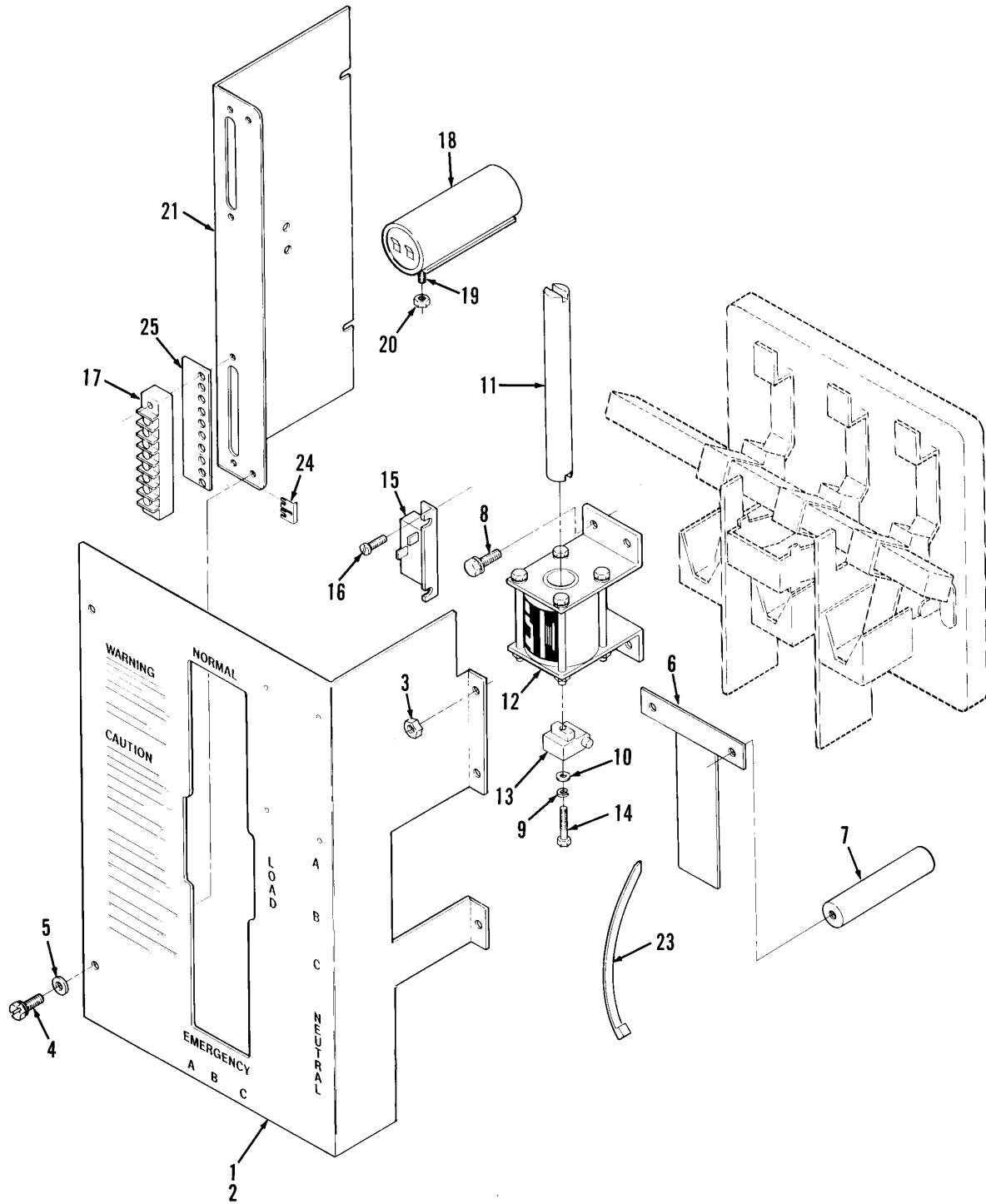


## Transfer Switch Assembly

REF NO.	PART NO.	QTY USED	PART DESCRIPTION	REF NO.	PART NO.	QTY USED	PART DESCRIPTION
			Transfer Switch Assembly - Complete - Front Connect, 3 Pole (Includes Parts Marked *)				
			<b>150 Amp</b>		306-3480-03	1	<b>50 Hertz</b> 220 Volt, 1 Ph., 2 Wire
			<b>60 Hertz</b>		306-3480-03	1	115/200 Volt, 1 Ph., 3 Wire
306-3479-01	1		120 Volt, 1 Ph., 2 Wire	306-3480-03	1		220/380 Volt, 3 Ph., 4 Wire
306-3479-03	1		120/240 Volt, 1 Ph., 3 Wire	306-3480-03	1		120/208 Volt, 3 Ph., 4 Wire
306-3479-03	1		120/208 Volt, 3 Ph., 4 Wire	306-3480-05	1		240/416 Volt, 3 Ph., 4 Wire
306-3479-03	1		120/240 Volt, 3 Ph., 4 Wire				<b>260 Amp</b>
306-3479-06	1		240/480 Volt, 3 Ph., 4 Wire	306-3481-01	1		<b>60 Hertz</b> 120 Volt, 1 Ph., 2 Wire
306-3479-05	1		220/380 Volt, 3 Ph., 4 Wire	306-3481-03	1		120/240 Volt, 1 Ph., 3 Wire
306-3479-06	1		277/480 Volt, 3 Ph., 4 Wire	306-3481-03	1		120/208 Volt, 3 Ph., 4 Wire
306-3479-04	1		347/600 Volt, 3 Ph., 4 Wire	306-3481-03	1		120/240 Volt, 3 Ph., 4 Wire
			<b>50 Hertz</b>	306-3481-06	1		240/480 Volt, 3 Ph., 4 Wire
306-3479-03	1		220 Volt, 1 Ph. 2 Wire	306-3481-05	1		220/380 Volt, 3 Ph., 4 Wire
306-3479-03	1		115/200 Volt, 1 Ph. 3 Wire	306-3481-06	1		277/480 Volt, 3 Ph., 4 Wire
306-3479-03	1		220/380 Volt, 3 Ph. 4 Wire	306-3481-04	1		347/600 Volt, 3 Ph., 4 Wire
306-3479-03	1		120/208 Volt, 3 Ph. 4 Wire				<b>50 Hertz</b> 220 Volt, 1 Ph., 2 Wire
306-3479-05	1		240/416 Volt, 3 Ph., 4 Wire	306-3481-03	1		115/200 Volt, 1 Ph., 3 Wire
			<b>225 Amp</b>	306-3481-03	1		220/380 Volt, 3 Ph., 4 Wire
			<b>60 Hertz</b>	306-3481-03	1		120/208 Volt, 3 Ph., 4 Wire
306-3480-01	1		120 Volt, 1 Ph., 2 Wire	306-3481-03	1		120/208 Volt, 3 Ph., 4 Wire
306-3480-03	1		120/240 Volt, 1 Ph., 3 Wire	306-3481-05	1		240/416 Volt, 3 Ph., 4 Wire
306-3480-03	1		120/208 Volt, 3 Ph., 4 Wire				
306-3480-03	1		120/240 Volt, 3 Ph., 4 Wire				
306-3480-06	1		240/480 Volt, 3 Ph., 4 Wire				
306-3480-05	1		220/380 Volt, 3 Ph., 4 Wire				
306-3480-06	1		277/480 Volt, 3 Ph., 4 Wire				
306-3480-04	1		347/600 Volt, 3 Ph., 4 Wire				

Continued on next page.

# Transfer Switch Assembly (Continued)

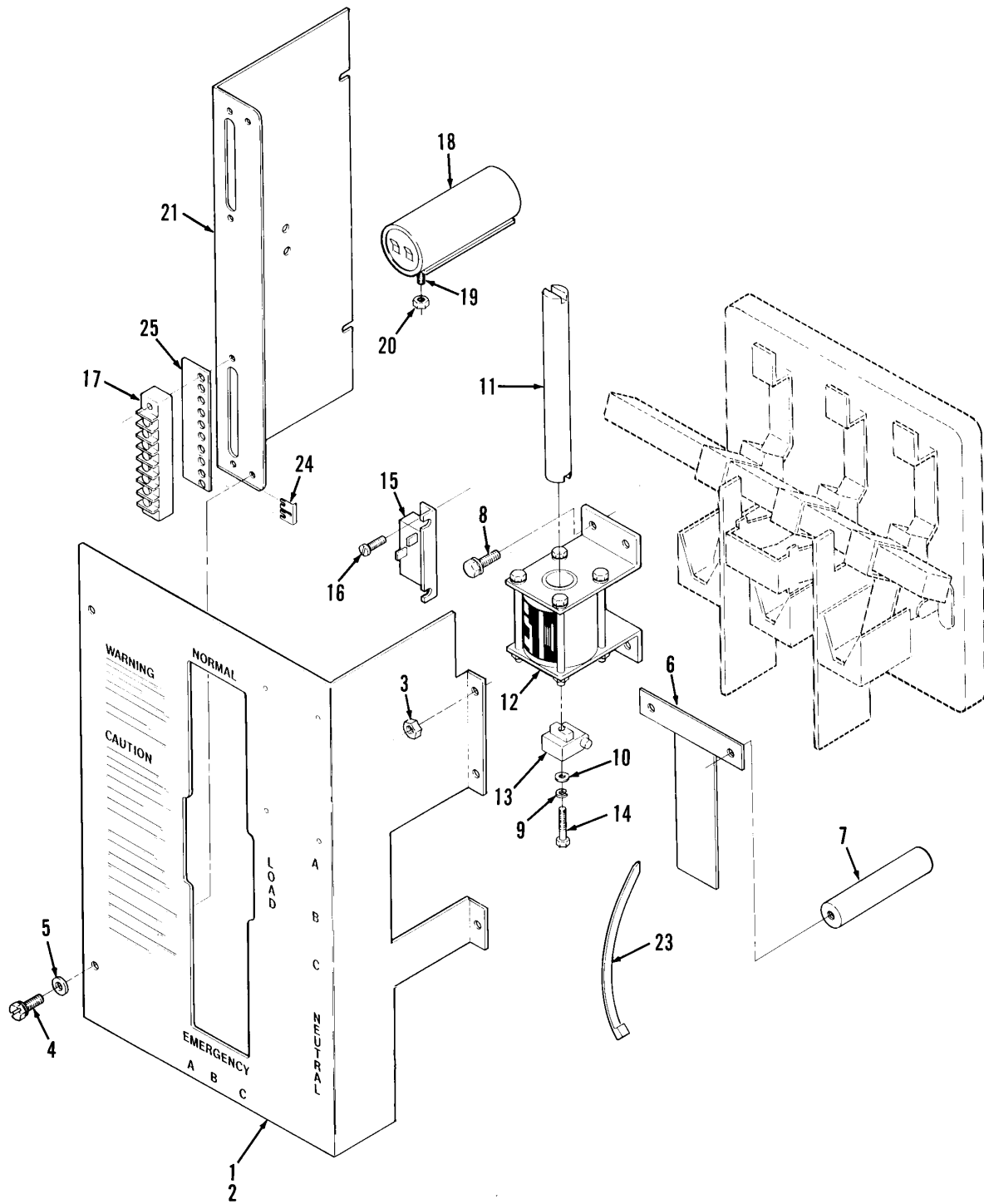


## Transfer Switch Assembly (Continued)

REF NO.	PART NO.	QTY USED	PART DESCRIPTION	REF NO.	PART NO.	QTY USED	PART DESCRIPTION
			Transfer Switch Assembly - Complete - Rear Connect, 4 Pole (Includes Parts Marked *)				
			<b>150 Amp</b>				<b>50 Hertz</b>
			<b>60 Hertz</b>				220 Volt, 1 Ph., 2 Wire
306-3518-01		1	120 Volt, 1 Ph., 2 Wire	306-3519-03		1	115/200 Volt, 1 Ph., 3 Wire
306-3518-03		1	120/240 Volt, 1 Ph., 3 Wire	306-3519-03		1	220/380 Volt, 3 Ph., 4 Wire
306-3518-03		1	120/208 Volt, 3 Ph., 4 Wire	306-3519-03		1	120/208 Volt, 3 Ph., 4 Wire
306-3518-03		1	120/240 Volt, 3 Ph., 4 Wire	306-3519-05		1	240/416 Volt, 3 Ph., 4 Wire
306-3518-06		1	240/480 Volt, 3 Ph., 4 Wire				<b>260 Amp</b>
306-3518-05		1	220/380 Volt, 3 Ph., 4 Wire	306-3520-01		1	<b>60 Hertz</b>
306-3518-06		1	277/480 Volt, 3 Ph., 4 Wire	306-3520-03		1	120 Volt, 1 Ph., 2 Wire
306-3518-04		1	347/600 Volt, 3 Ph., 4 Wire	306-3520-03		1	120/240 Volt, 1 Ph., 3 Wire
			<b>50 Hertz</b>	306-3520-03		1	120/208 Volt, 3 Ph., 4 Wire
306-3518-03		1	220 Volt, 1 Ph., 2 Wire	306-3520-03		1	120/240 Volt, 3 Ph., 4 Wire
306-3518-03		1	115/200 Volt, 1 Ph., 3 Wire	306-3520-06		1	240/480 Volt, 3 Ph., 4 Wire
306-3518-03		1	220/380 Volt, 3 Ph., 4 Wire	306-3520-05		1	220/380 Volt, 3 Ph., 4 Wire
306-3518-03		1	120/208 Volt, 3 Ph., 4 Wire	306-3520-06		1	277/480 Volt, 3 Ph., 4 Wire
306-3518-05		1	240/416 Volt, 3 Ph., 4 Wire	306-3520-04		1	347/600 Volt, 3 Ph., 4 Wire
			<b>225 Amp</b>				<b>50 Hertz</b>
			<b>60 Hertz</b>				220 Volt, 1 Ph., 2 Wire
306-3519-01		1	120 Volt, 1 Ph., 2 Wire	306-3520-03		1	115/200 Volt, 1 Ph., 3 Wire
306-3519-03		1	120/240 Volt, 1 Ph., 3 Wire	306-3520-03		1	220/380 Volt, 3 Ph., 4 Wire
306-3519-03		1	120/208 Volt, 3 Ph., 4 Wire	306-3520-03		1	120/208 Volt, 3 Ph., 4 Wire
306-3519-03		1	120/240 Volt, 3 Ph., 4 Wire	306-3520-05		1	240/416 Volt, 3 Ph., 4 Wire
306-3519-06		1	240/480 Volt, 3 Ph., 4 Wire				
306-3519-05		1	220/380 Volt, 3 Ph., 4 Wire				
306-3519-06		1	277/480 Volt, 3 Ph., 4 Wire				
306-3519-04		1	347/600 Volt, 3 Ph., 4 Wire				

Continued on next page.

## Transfer Switch Assembly (Continued)

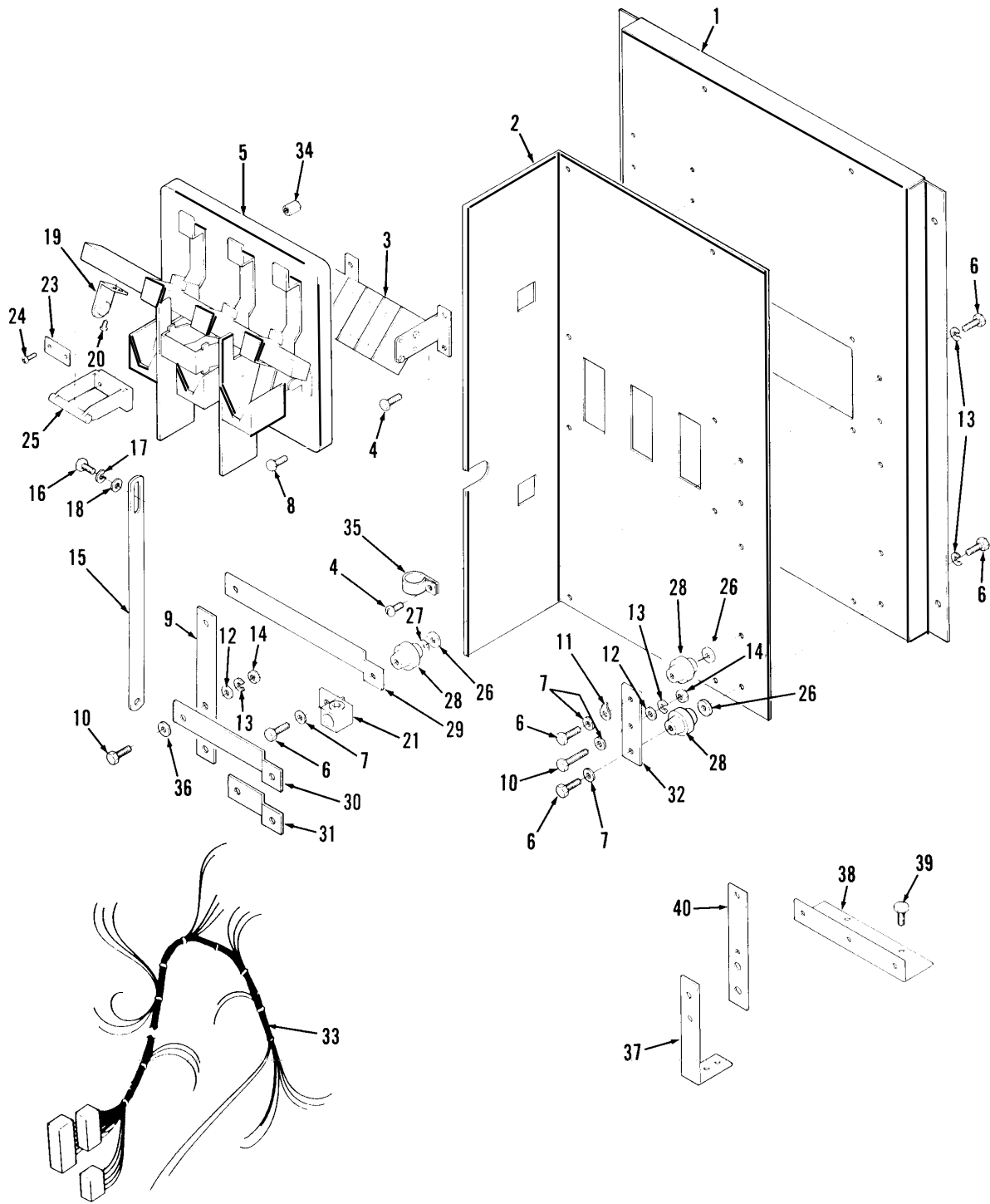


## Transfer Switch Assembly (Continued)

REF NO.	PART NO.	QTY USED	PART DESCRIPTION	REF NO.	PART NO.	QTY USED	PART DESCRIPTION
			*Switch Assembly (See separate page for components)	15			*Breaker, Circuit
			<b>3 Pole</b>		320-0609	1	<b>60 Hertz</b>
			Front Connect		320-0608	1	120 Volt, 1 Ph. 2 Wire
	306-3581-01	1	150 & 225 Amp		320-0608	1	120/240 Volt, 1 Ph., 3 Wire
	306-3581-02	1	260 Amp		320-0608	1	120/208 Volt, 3 Ph., 4 Wire
	306-3516	1	Rear Connect		320-0606	1	120/240 Volt, 3 Ph., 4 Wire
			<b>4 Pole</b>		320-0606	1	240/480 Volt, 3 Ph. 4 Wire
	306-3592-01	1	150 & 225 Amp		320-0606	1	220/380 Volt, 3 Ph., 4 Wire
	306-3592-02	1	260 Amp		320-0606	1	277/480 Volt, 3 Ph., 4 Wire
1			*Cover, Contact (Includes Label)		320-0606	1	347/600 Volt, 3 Ph., 4 Wire
			<b>3 Pole</b>		320-0608	1	<b>50 Hertz</b>
	306-3484-01	1	Front Connect		320-0608	1	220 Volt, 1 Ph., 2 Wire
	306-3484-02	1	Rear Connect		320-0608	1	115/200 Volt, 1 Ph., 3 Wire
	306-3591-01	1			320-0608	1	220/380 Volt, 3 Ph., 4 Wire
2			*Label		320-0606	1	120/208 Volt, 3 Ph., 4 Wire
	098-5688	1	3 Pole	16	815-0651	6	240/416 Volt, 3 Ph., 4 Wire
	098-5943	1	4 Pole				*Screw, Machine - Round Head (#6-32 x 3/4)
3	870-0320	2	*Nut, Lock (#10-32)	17	332-2832	2	*Block, Terminal
4	815-0652	5	*Screw, Cap - Hex Head (#10-32 x 1/2)	18			*Capacitor
5	526-0008	2	*Washer, Flat (#10)		312-0209	1	<b>60 Hertz</b>
6	306-2340	2	*Barrier		312-0204	1	120 Volt, 1 Ph. 2 Wire
7	306-3483	4	*Spacer, Actuator		312-0204	1	120/240 Volt, 1 Ph., 3 Wire
8	800-0021	4	*Screw, Cap - Hex Head (1/4-20 x 4-1/2)		312-0204	1	120/208 Volt, 3 Ph., 4 Wire
9	850-0040	6	*Washer, Lock (1/4)		312-0203	2	120/240 Volt, 3 Ph., 4 Wire
10	526-0018	6	*Washer, Flat (1/4)		312-0203	2	240/480 Volt, 3 Ph. 4 Wire
11	306-3473	1	*Rod, Actuator		312-0203	2	220/380 Volt, 3 Ph., 4 Wire
12			*Actuator, Linear		312-0236	2	277/480 Volt, 3 Ph., 4 Wire
			<b>60 Hertz</b>		312-0204	1	347/600 Volt, 3 Ph., 4 Wire
	306-3471-01	1	120 Volt, 1 Ph. 2 Wire		312-0204	1	<b>50 Hertz</b>
	306-3471-03	1	120/240 Volt, 1 Ph., 3 Wire		312-0204	1	220 Volt, 1 Ph., 2 Wire
	306-3471-03	1	120/208 Volt, 3 Ph., 4 Wire		312-0204	1	115/200 Volt, 1 Ph., 3 Wire
	306-3471-03	1	120/240 Volt, 3 Ph., 4 Wire		312-0204	1	220/380 Volt, 3 Ph., 4 Wire
	306-3471-06	1	240/480 Volt, 3 Ph. 4 Wire		312-0203	2	120/208 Volt, 3 Ph., 4 Wire
	306-3471-05	1	220/380 Volt, 3 Ph., 4 Wire	19	815-0029	4	240/416 Volt, 3 Ph., 4 Wire
	306-3471-06	1	277/480 Volt, 3 Ph., 4 Wire				*Screw, Machine - Flat Head (#10-32 x 1/2)
	306-3471-03	1	347/600 Volt, 3 Ph., 4 Wire	20	870-0131	4	*Nut, Hex - w/ET (#10-32)
			<b>50 Hertz</b>	21	306-3418	1	*Bracket, Terminal
	306-3471-03	1	220 Volt, 1 Ph., 2 Wire	23	332-0942	4	*Tie, Cable
	306-3471-03	1	115/200 Volt, 1 Ph., 3 Wire	24	332-2605	2	*Terminal, Jumper
	306-3471-03	1	220/380 Volt, 3 Ph., 4 Wire	25	332-2903	2	*Strip, Marker
	306-3471-03	1	120/208 Volt, 3 Ph., 4 Wire				
	306-3471-03	1	120/240 Volt, 3 Ph., 4 Wire				
	306-3471-05	1	240/416 Volt, 3 Ph., 4 Wire				
13	306-3400-02	2	*Rod-End, Actuator				
14	800-0068	2	*Screw, Cap - Hex Head (1/4-20 x 1)				

\* Parts included in Transfer Switch Assembly

# Switch Assembly



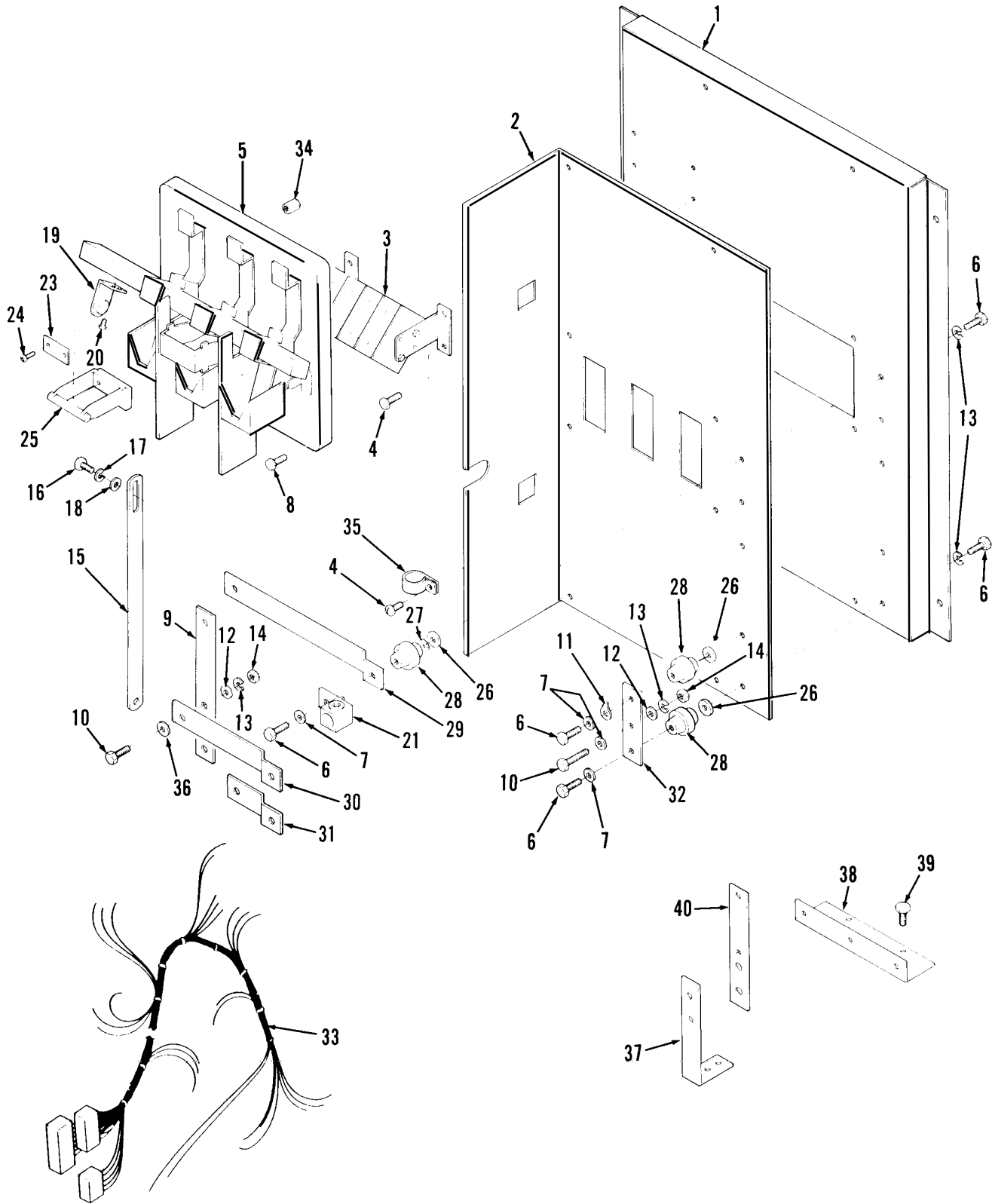
## Switch Assembly

REF NO.	PART NO.	QTY USED	PART DESCRIPTION	REF NO.	PART NO.	QTY USED	PART DESCRIPTION
			Switch Assembly (Includes Parts Marked *)	10			*Screw, Cap - Hex Head
			<b>Front Connect</b>		800-0030	4	Front Connect (5/16-18 x 1-1/4)
			<b>3 Pole</b>		800-0008	6	Rear Connect (1/4-20 x 1-1/4)
	306-3581-01	1	150 & 225 Amp	11			*Terminal, Tab
	306-3581-02	1	260 Amp		332-2463	10	Front Connect
			<b>4 Pole</b>		332-2463	9	Rear Connect
	306-3592-01	1	150 & 225 Amp	12			*Washer, Flat
	306-3592-02	1	260 Amp		526-0045	4	Front Connect (5/16)
	306-3516	1	<b>Rear Connect</b>		526-0018	4	Rear Connect (1/4)
1	306-3474	1	*Base, Mounting	13			*Washer, Lock
2			*Barrier, Base		850-0045	8	Front Connect (5/16)
	306-3478	1	150 & 225 Amp		850-0040	4	Rear Connect
	306-3575	1	260 Amp	14			*Nut, Hex
3	306-3417	2	*Switch Assembly - Auxiliary (See Separate Page for Components)		862-0015	4	Front Connect (5/16-18)
4	815-0652	9	*Screw, Slotted - Hex Head (#10-32 x 1/2)		862-0001	6	Rear Connect (1/4-20)
5		1	*Block and Cross Bar Assembly (See Separate Page for Components)	15	306-3482	1	*Bar, Interlock
			<b>3 Pole</b>	16	800-0003	2	*Screw, Cap - Hex Head (1/4-20 x 1/2)
			Normal	17	850-0040	2	*Washer, Lock (1/4)
	306-4079-01	1	Emergency	18	526-0018	2	*Washer, Flat (1/4)
	306-4079-02	1	<b>4 Pole</b>	19	306-0508	2	*Interlock, Arm
			Normal	20	815-0446	4	*Screw, Round Head - Cross Recessed - w/IT (#8-32 x 1/2)
			Emergency	21			*Lug, Solderless (Used Only on Front Connect Switches)
	306-4080-01	1	Normal		332-3038	12	150 & 225 Amp
	306-4080-02	1	Emergency		332-1480	12	260 Amp
6	800-0027	24	*Screw, Cap - Hex Head (5/16-18 x 7/8)	23	306-1396	2	*Plate, Mounting - Handle
7			*Washer, Spring - Conical (5/16)	24	815-0496	2	*Screw, Round Head - Cross Recessed w/IT (#8-32 x 3/4)
	851-0028	20	Front Connect				
	851-0028	12	Rear Connect				
8	815-0667	8	*Screw, Cap - Hex Head (1/4-20 x 1-1/4)				
9	337-2365	3	*Strap, Jumper				

\* Parts Included in Switch Assembly

Continued on next page.

# Switch Assembly (Continued)

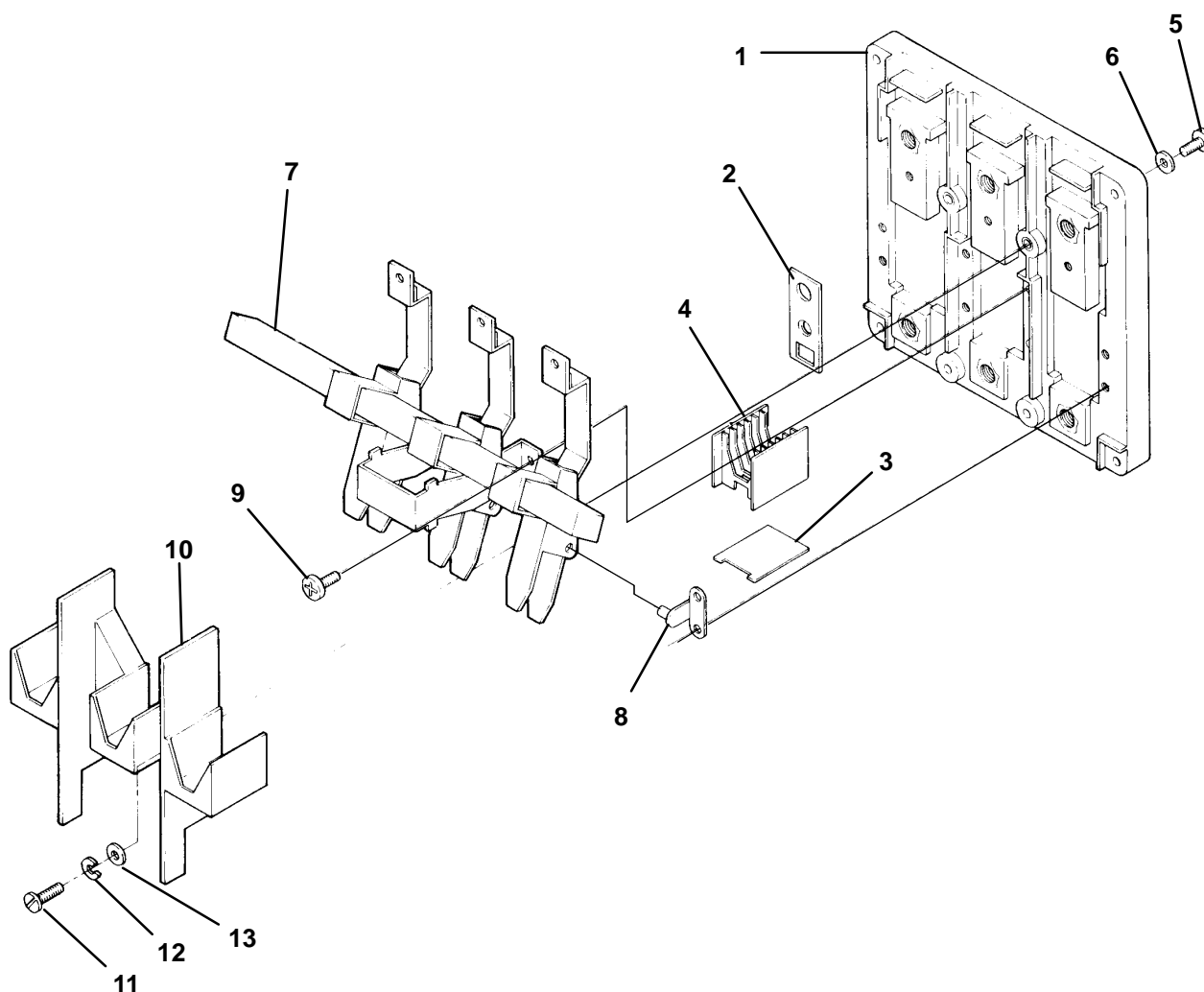




## Switch Assembly (Continued)

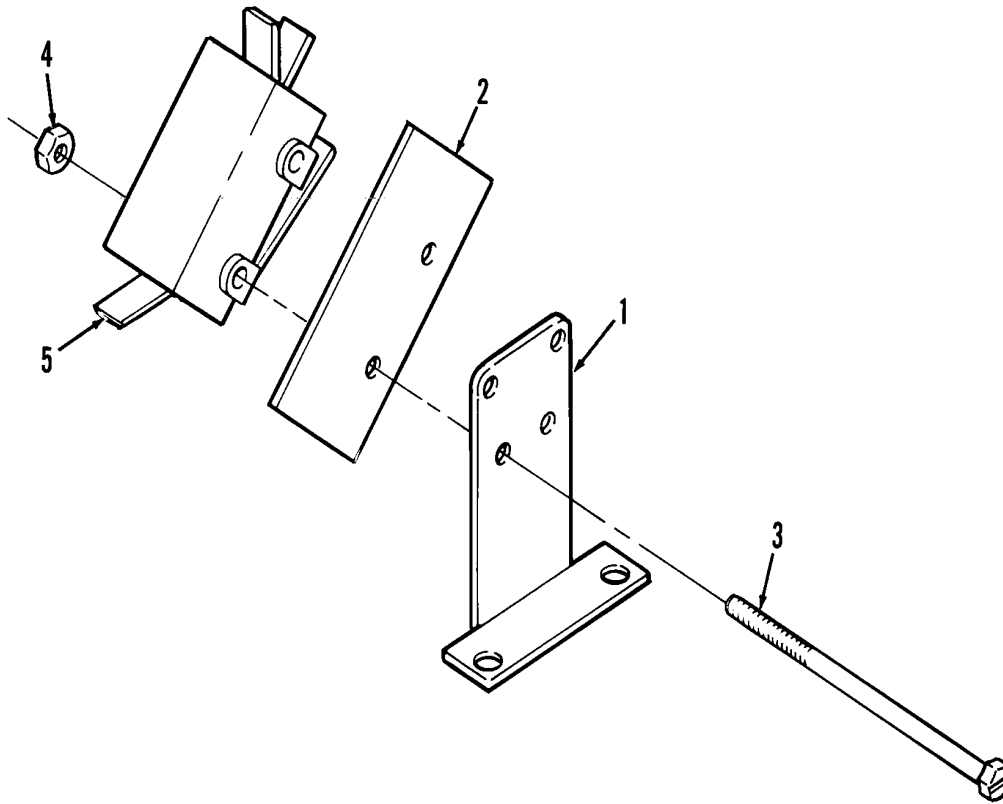
REF NO.	PART NO.	QTY USED	PART DESCRIPTION	REF NO.	PART NO.	QTY USED	PART DESCRIPTION
25	306-1842	2	*Handle Assembly, Actuator (See Separate Page for Components)	40	337-2404	6	*Bus, Normal & Emergency (Used Only on Rear Connect Switches)
26	526-0077	5	*Washer, Flat (5/16) (Used only on 3 Pole - Front Connect Switches)		306-3578	2	Block & Contact Assembly (Used Only on 4 Pole Switches) (Not Illustrated)
27	853-0016	5	*Washer, Lock (5/16) (Used only on 3 Pole - Front Connect Switches)		800-0026	2	Screw, Cap - Hex Head (5/16-18 x 3/4) (Used Only on 4 Pole Switches) (Not Illustrated)
28	332-2744-05	5	*Standoff, Insulator (Used only on 3 Pole - Front Connect Switches)		306-3573	1	Log, Mounting Block (Used Only on 4 Pole Switches) (Not Illustrated)
29	337-2410-01	1	*Strap, Lead				
30			*Strap, Lead (Used Only on Front Connect Switches)		815-0261	2	Screw, Thread Forming (1/4-20 x 1/2) (Used Only on 4 Pole Switches) (Not Illustrated)
	337-2363	1	3 Pole				
	337-2410-02	1	4 Pole				
31			*Strap, Lead (Used Only on Front Connect Switches)		815-0656	6	Screw, Machine - Round Head (1/4-20 x 2-3/4) (Used Only on 4 Pole Switches) (Not Illustrated)
	337-2362	1	3 Pole				
	337-2410-03	1	4 Pole				
32	337-2366	1	*Strap, Lead (Used only on 3 Pole - Front Connect Switches)		306-0268	2	Chute, Arc (Used Only on 4 Pole Switches) (Not Illustrated)
33			*Harness, Wiring		815-0527	4	Screw, Pan Head - Thread Forming (#10-32 x 3/4) (Used Only on 4 Pole Switches) (Not Illustrated)
	338-2039	1	3 Pole				
		1	4 Pole				
34	870-0394	4	*Spacer, Threaded (1/4-20) (Used only on 3 Pole - Front Connect Switches)		306-3576	2	Cover, Chute Arc (Used Only on 4 Pole Switches) (Not Illustrated)
35	332-2542	1	*Clamp, Cable (Used only on 3 Pole Switches)				
36	851-0027	6	*Washer, Spring - Conical (1/4) (Used Only on Rear Connect Switches)		306-2352	2	Insulator, Chute - Arc (Used Only on 4 Pole Switches) (Not Illustrated)
37	337-2403	3	*Bus, Load (Used Only on Rear Connect Switches)				
38	306-3515	2	*Channel, Support (Used Only on Rear Connect Switches)				
39	815-0261	4	*Screw, Hex Washer Head - Thread Forming (1/4-20 x 1/2) (Used Only on Rear Connect Switches)				
				*	Parts Included in Switch Assembly		

## Block & Cross Bar Assembly



REF NO.	PART NO.	QTY USED	PART DESCRIPTION	REF NO.	PART NO.	QTY USED	PART DESCRIPTION
			Block & Cross Bar Assembly (Includes Items #1-13) 3 Pole	6	855-0008	3	Washer, Lock - w/ET (#10)
			Normal	7			Cross Bar Assembly 3 Pole
	306-4079-01	1	Emergency		306-3406	1	Normal
	306-4079-02	1	4 Pole		306-3407	1	Emergency
	306-4080-01	1	Normal		306-3408	1	Normal
	306-4080-02	1	Emergency		306-3409	1	Emergency
1	306-4078	1	Block, Component	8	306-0273	2	Bracket, Mounting - Cross Bar
2	306-0264	3	Strap, Line	9	815-0449	8	Screw, Round Head - w/ET (#10-32 x 3/4)
		4	Strap, Line (4 Pole)				
3	306-2352	3	Insulator, Chute - Arc	10	306-2301	1	Barrier, Chute - Arc
		4	Insulator, Chute - Arc (4 Pole)	11	812-0082	2	Screw, Machine - Round Head (#8-32 x 3/4)
4	306-0268	3	Chute, Arc				
		4	Chute, Arc (4 Pole)	12	850-0025	2	Washer, Lock (#8)
5	815-0163	3	Screw, Flat Head (#10-32 x 5/8)	13	526-0003	2	Washer, Flat (#8)

## Auxiliary Switch Assembly



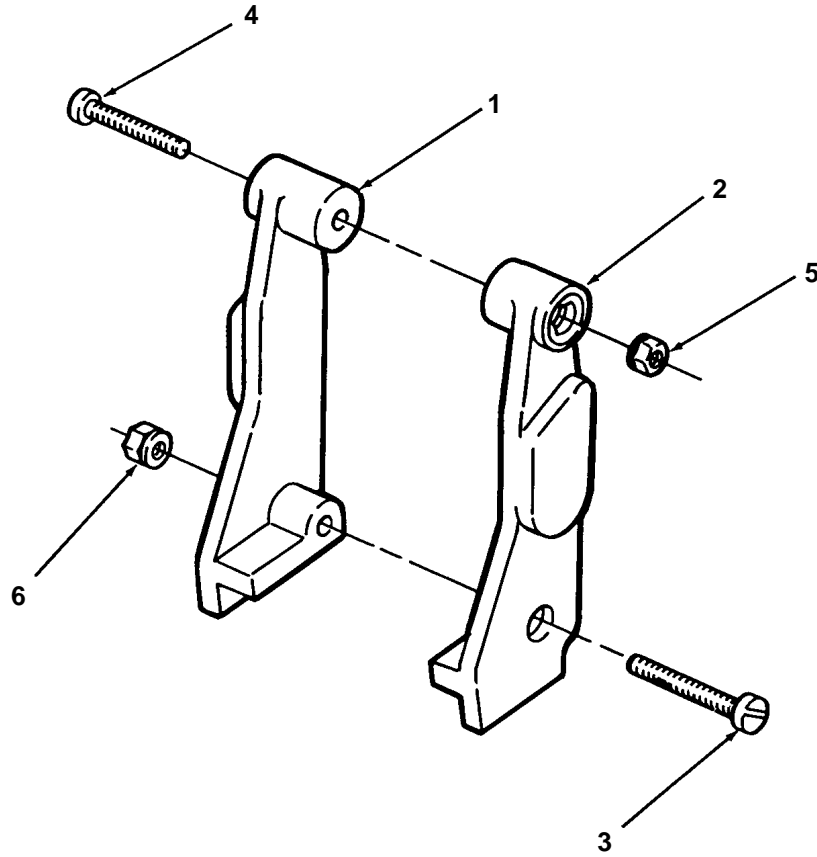
REF NO.	PART NO.	QTY USED	PART DESCRIPTION
	306-3417	2	Switch Assembly, Auxiliary (Includes parts marked *)
1	306-3420	2	*Bracket, Switch - Auxiliary
2	306-3391	5	*Barrier, Switch
3	815-0686	2	*Screw, Cap - Hex Head (#6-32 x 3-1/4)

REF NO.	PART NO.	QTY USED	PART DESCRIPTION
4	870-0201	2	*Nut, Lock (#6-32)
5	309-0393	4	*Switch, Snap-Action

\* Parts included in 306-3417 Auxiliary Switch Assembly



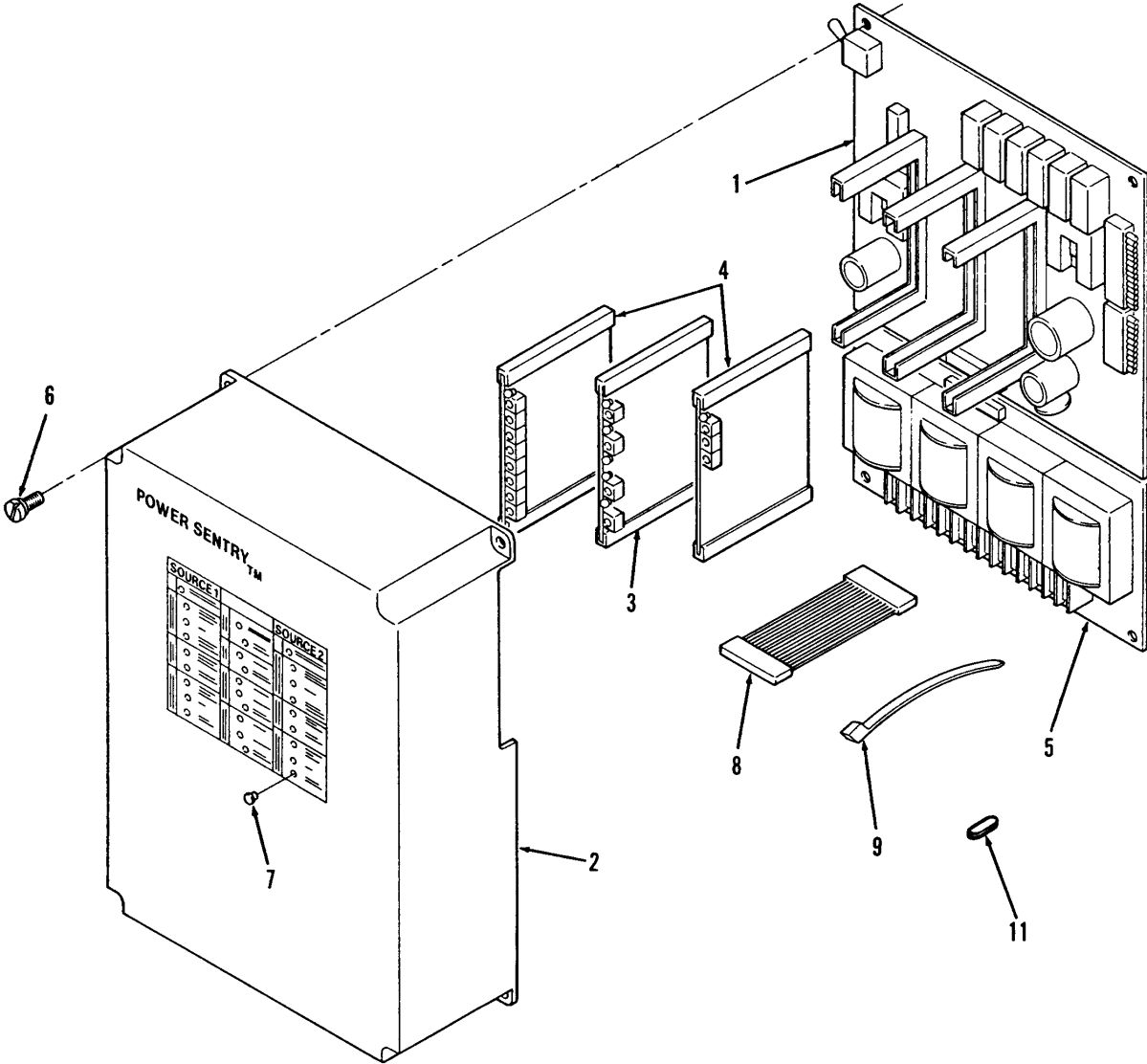
## Actuator Handle Assembly



REF NO.	PART NO.	QTY USED	PART DESCRIPTION	REF NO.	PART NO.	QTY USED	PART DESCRIPTION
	306-1842	1	Handle Assembly, Actuator (Includes parts marked *)	4	815-0933	1	*Screw, Round Head - XREC (#10-32 x 1-3/4)
1	306-1382	1	*Handle, Switch - Left Hand	5	870-0298	1	*Nut, Lock (#10-32)
2	306-1381	1	*Handle, Switch - Right Hand	6	870-0235	1	*Nut, Lock (#8-32)
3	815-0932	1	*Screw, Round Head - XREC (#8-32 x 2-1/4)				

\* Parts included in 306-1842 Actuator Handle Assembly

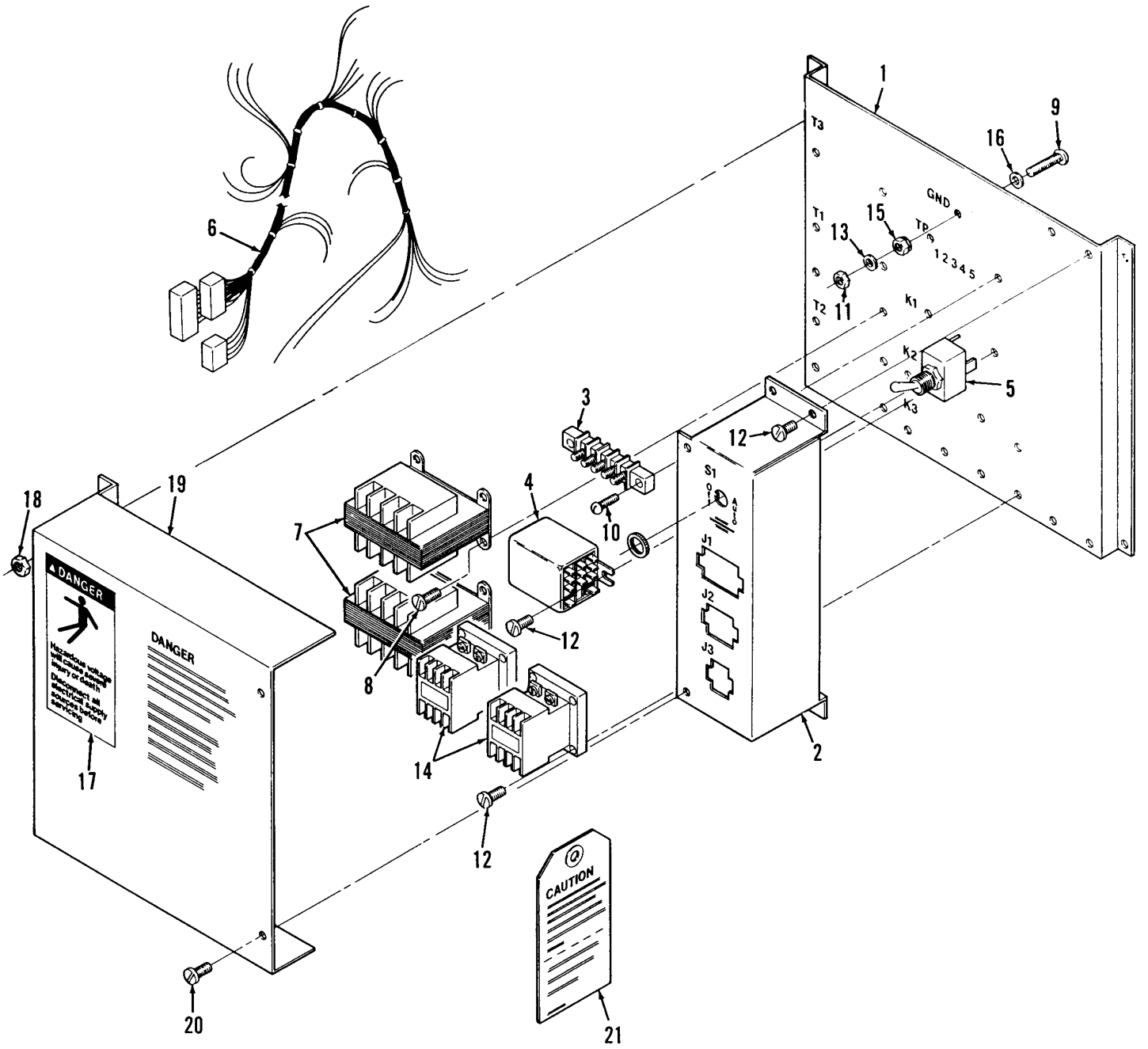
# Control Assembly



## Control Assembly

REF NO.	PART NO.	QTY USED	PART DESCRIPTION	REF NO.	PART NO.	QTY USED	PART DESCRIPTION
1			Board, PC - Mother	5			Board, PC - Transformer
	300-3953-01	1	Utility to Genset				<b>60 Hertz</b>
	300-3267	1	Genset to Genset		300-31 19	1	120 Volt, 1 Ph., 2 Wire
2	306-3470	1	Cover, Board - PC		300-3092	1	120/240 Volt, 1 Ph., 3 Wire
			(Includes Label)		300-3092	1	120/208 Volt, 3 Ph., 4 Wire
	098-5661	1	Label, Cover (0-15 Seconds)		300-3092	1	120/240 Volt, 3 Ph. 4 Wire
	098-6279	1	Label, Cover (0-30 Minutes)		300-3092	1	240/480 Volt, 3 Ph., 4 Wire
			(Extended Control)		300-3092	1	220/380 Volt, 3 Ph., 4 Wire
	098-5766	1	Label, Switch		300-3092	1	277/480 Volt, 3 Ph., 4 Wire
3			Board, PC		300-31 18	1	347-600 Volt, 3 Ph., 4 Wire
	300-3094	1	Standard Time Delay				<b>50 Hertz</b>
	300-3261	1	90 Second Extended Time		300-3092	1	220 Volt, 1 Ph., 2 Wire
			Delay		300-3092	1	115/200 Volt, 1 Ph., 3 Wire
4			Board, PC - Voltage Sensor		300-3092	1	220/380 Volt, 3 Ph., 4 Wire
			(J1, J3)		300-3092	1	120/208 Volt, 3 Ph., 4 Wire
	300-3121	1	Undervoltage (50 & 60 Hertz)		300-3092	1	240/416 Volt, 3 Ph., 4 Wire
	300-3093-01	1	Over/Under Voltage & Over/	6	815-0544	9	Screw, Machine - Round Head
			Under Hertz (60 Hz)				w/IT (#6-32 x 1/2)
	300-3093-02	1	Over/Under Voltage & Over/	7	517-0256	10	Plug, Hole
			Under Hertz (50 Hz)	8	323-1387	1	Pin Assembly, Ribbon
	300-4275	1	Undervoltage (5 sec.)	9	332-1877	5	Tie, Cable
	300-4276-01	1	Overvoltage (5 sec.) (60 Hz.)	11	332-1917	3	Plug, Keying
	300-4276-02	1	Overvoltage (5 sec.) (50 Hz.)				

# Accessory Control Plate (All except 600 Volt)





## Accessory Control Plate (All except 600 Volt)

REF NO.	PART NO.	QTY USED	PART DESCRIPTION	REF NO.	PART NO.	QTY USED	PART DESCRIPTION
1			Plate, Door	7			Transformer, Power (T1, T2)
	301-9754	1	Standard				<b>60 Hertz</b>
	319-0002	1	Load Shed Label		315-0655-01	2	120 Volt, 1 Ph, 2 Wire
	098-5773	1	Standard		315-0655-02	2	120/240 Volt, 1 Ph, 3 Wire
	098-5680	1	Load Shed		315-0655-02	2	120/208 Volt, 3 Ph, 4 Wire
2	301-9774	1	Bracket (Includes Label)		315-0655-02	2	120/240 Volt, 3 Ph, 4 Wire
	098-5681	1	Label, Bracket		315-0655-03	2	240/480 Volt, 3 Ph, 4 Wire
3	332-2884	1	Block, Terminal		315-0655-02	2	220/380 Volt, 3 Ph, 4 Wire
4			#*Relay, 3PDT - 24VAC		315-0655-03	2	277/480 Volt, 3 Ph, 4 Wire
	307-2575	2	Standard (K1, K2)				347 Volt, 3 Ph, 4 Wire
	307-2575	1	Load Shed from Emergency (K1)		315-0655-02	2	<b>50 Hertz</b>
					315-0655-02	2	220 Volt, 1 Ph, 2 Wire
5	308-0406	1	Switch, Toggle - DPDT (S1)		315-0655-03	2	115/200 Volt, 1 Ph, 3 Wire
6			*Harness, Wiring - Main		315-0655-03	2	220/380 Volt, 3 Ph, 4 Wire
			<b>Standard</b>		315-0655-03	2	120/208 Volt, 3 Ph, 4 Wire
			<b>60 Hertz</b>				240/416 Volt, 3 Ph, 4 Wire
	338-2234	1	120 Volt, 1 Ph, 2 Wire	8	821-0040	8	Screw, Self-Locking - Flanged (#10-32 x 5/16)
	338-2235	1	120/240 Volt, 1 Ph, 3 Wire	9	810-0085	1	Screw, Machine - Round Head Brass (#8-32 x 1-1/8)
	338-2235	1	120/208 Volt, 3 Ph, 4 Wire	10	815-0539	2	Screw, Machine - Round Head W/IT (#8-32 x 5/8)
	338-2235	1	120/240 Volt, 3 Ph, 4 Wire	11	860-0008	1	Nut, Hex (#8-32)
	338-2235	1	240/480 Volt, 3 Ph, 4 Wire	12	815-0555	A/R	Screw, Pan Head W/ET (#6-32 x 3/8)
	338-2235	1	220/380 Volt, 3 Ph, 4 Wire				Washer, Flat (#8)
	338-2235	1	277/480 Volt, 3 Ph, 4 Wire	13	526-0048	1	#Relay, 4 Pole - 24VAC (Only used on Load Shed from Emergency Units) (K2, K4)
	338-2235	1	347 Volt, 3 Ph, 4 Wire	14	307-2648	2	Nut, Lock W/ET (#8-32)
			<b>50 Hertz</b>				Washer, Lock W/EIT (#8)
	338-2235	1	220 Volt, 1 Ph, 2 Wire	15	870-0221	1	Label, Danger
	338-2235	1	115/200 Volt, 1 Ph, 3 Wire	16	856-0002	1	Nut, Lock W/ET (#10-32)
	338-2235	1	220/380 Volt, 3 Ph, 4 Wire	17	098-5387	5	Shield (Includes Label)
	338-2235	1	220/380 Volt, 3 Ph, 4 Wire	18	870-0131	6	Label
	338-2235	1	120/208 Volt, 3 Ph, 4 Wire	19	301-9961	1	Screw, Machine - Round Head W/IT (#6-32 x 1/2)
	338-2235	1	240/416 Volt, 3 Ph, 4 Wire	20	815-0544	8	Label, Caution
			<b>Load Shed from Emergency</b>	21	098-5589	1	
			<b>60 Hertz</b>				
	338-2230	1	120 Volt, 1 Ph, 2 Wire				
	338-2236	1	120/240 Volt, 1 Ph, 3 Wire				
	338-2236	1	120/208 Volt, 3 Ph, 4 Wire				
	338-2236	1	120/240 Volt, 3 Ph, 4 Wire				
	338-2236	1	240/480 Volt, 3 Ph, 4 Wire				
	338-2236	1	220/380 Volt, 3 Ph, 4 Wire				
	338-2236	1	277/480 Volt, 3 Ph, 4 Wire				
	338-2236	1	347 Volt, 3 Ph, 4 Wire				
			<b>50 Hertz</b>				
	338-2236	1	220 Volt, 1 Ph, 2 Wire				
	338-2236	1	115/200 Volt, 1 Ph, 3 Wire				
	338-2236	1	220/380 Volt, 3 Ph, 4 Wire				
	338-2236	1	120/208 Volt, 3 Ph, 4 Wire				
	338-2236	1	240/416 Volt, 3 Ph, 4 Wire				
	338-2340	1	<b>Non-Automatic (120 Volt Only)</b>				

\* Load Shed Units use Reference #14

# Note: If customer requests K2 Relay, if K4 filled, supply 307-2648. If not, supply 307-2575

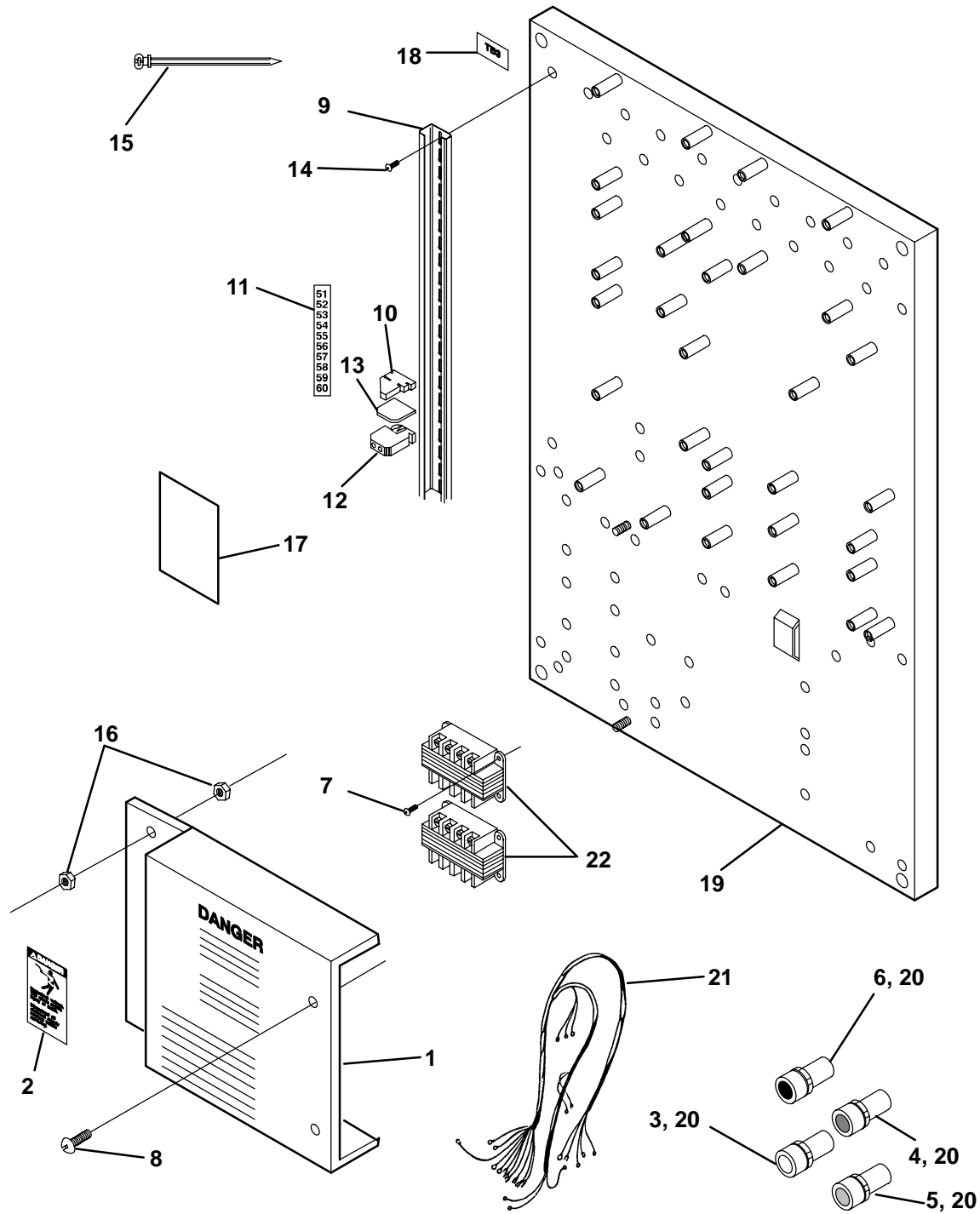


## Accessory Control Plate (600 Volts)

REF NO.	PART NO.	QTY USED	PART DESCRIPTION	REF NO.	PART NO.	QTY USED	PART DESCRIPTION
1	319-0009	1	Plate, Door (Includes Label)	11	860-0008	1	Nut, Hex (#8-32)
	098-5734	1	Label	12	815-0550	6	Screw, Pan Head Cross Recessed W/ET (#6-32 x 3/8)
2	301-9774	1	Bracket (Includes Label)				
	098-5681	1	Label	13	526-0048	1	Washer, Flat (#8)
3	332-2884	1	Block, Terminal	14	307-2648	1	*Relay, 4 Pole - 24VAC (Load Shed from Emergency Units)
4	307-2597	1	Contactors, Interlocking (24VAC)	15	870-0221	1	Nut, Lock W/ET (#8-32)
5	308-0406	1	Switch, Toggle (S1)	16	856-0002	1	Washer, Lock W/EIT (#8)
6			Harness, Wiring - Main (600 Volts)	17	098-5387	5	Label, Danger
	338-2232	1	Standard	18	870-0131	6	Nut, Lock W/ET (#10-32)
	338-2233	1	Load Shed from Emergency	19	301-9961	1	Shield (Includes Label)
	338-2346	1	Non-Automatic		098-5699	1	Label
7			Transformer, Power (T1, T2)	20	815-0544	8	Screw, Machine - Round Head W/IT (#6-32 x 1/2)
	315-0655-04	2	Spec G	21	098-5589	1	Label, Caution
	315-0662	2	Spec H & J	22	307-2600-01	1	Block, Auxiliary
8	821-0040	8	Screw, Self-Locking - Flanged (#10-32 x 5/16)				
9	810-0085	1	Screw, Machine - Round Head (#8-32 x 1-1/8)				
10	815-0538	2	Screw, Machine - Round Head Cross Recessed W/IT (#8-32 x 5/8)				

\* Load Shed Units use Reference #14

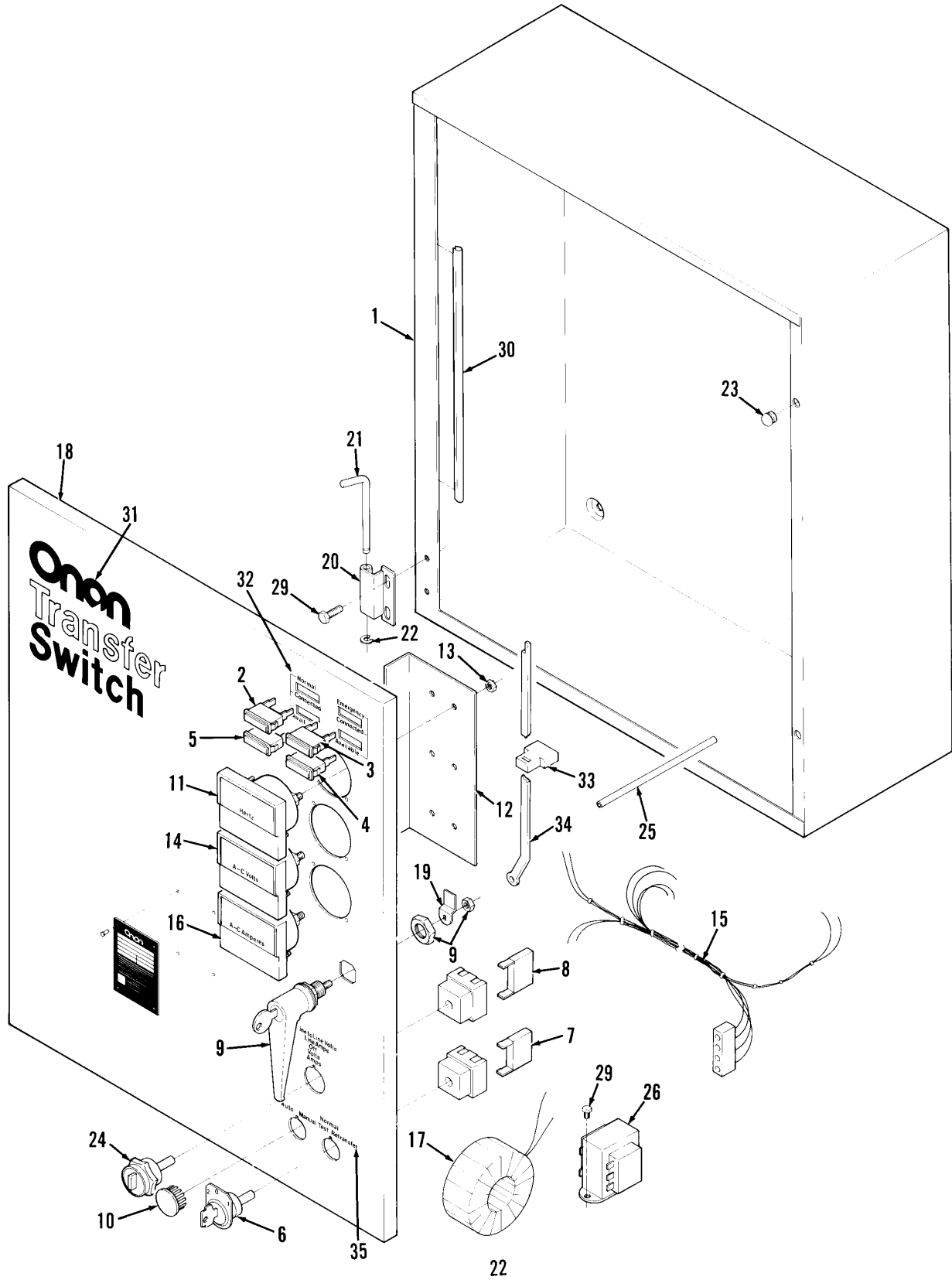
# Plate Assembly (Open Construction)



## Plate Assembly (Open Construction)

REF NO.	PART NO.	QTY USED	PART DESCRIPTION	REF NO.	PART NO.	QTY USED	PART DESCRIPTION
1	301-9961	1	Shield (Includes Silkscreen)	18	098-5710	1	Label, Block - Terminal
2	098-5387	3	Label, Danger	19	319-2050-01	1	Plate, Open Construction
3	322-0392-06	1	Housing, Lamp (White)	20	322-0133	4	Lamp, Indicating
4	322-0392-04	1	Housing, Lamp (Green)	21			Harness, Wiring - Main
5	322-0392-02	1	Housing, Lamp (Amber)				Non-Automatic/Remote
6	322-0392-01	1	Housing, Lamp (Red)		338-2958	1	All Except 600 Volt
7	815-0538	8	Screw, Machine - Round Head Cross Recessed w/IT		338-2957	1	600 Volt
			(#8-32 x 1/2)				Load Shed
8	815-0544	22	Screw, Machine - Round Head		338-2959	1	120 Volt
			Cross Recessed w/IT		338-2982	1	600 Volt
			(#6-32 x 1/2)		338-2981	1	All Except 120 & 600 Volt
9	332-2837-07	1	Rail, Terminal				All Except Non-Automatic/ Remote & Load Shed
10	332-2839	2	Bracket, End - Terminal		338-2961	1	120 Volt
11	332-2842-16	2	Tag, Terminal (51-60)		338-2960	1	600 Volt
12	332-2836-02	1	Block, Terminal - Sectional		338-2962	1	All Except 120 & 600 Volt
13	332-2841	1	Plate, End - Terminal	22			Transformer, Power
14	815-0446	4	Screw, Round Head - Cross Recessed w/IT Thread Cutting		315-0723-05	2	120 Volt
			(#8-32 x 1/2)		315-0723-06	2	208/220/240/480 Volt
					315-0723-07	2	380/416 Volt
15	332-2877	2	Tie, Cable		315-0723-08	2	600 Volt
16	870-0131	4	Nut, Hex w/ET (#10-32)		315-0662	2	600 Volt
17	878-0032	1	Laminate Material				

# Door and Cabinet

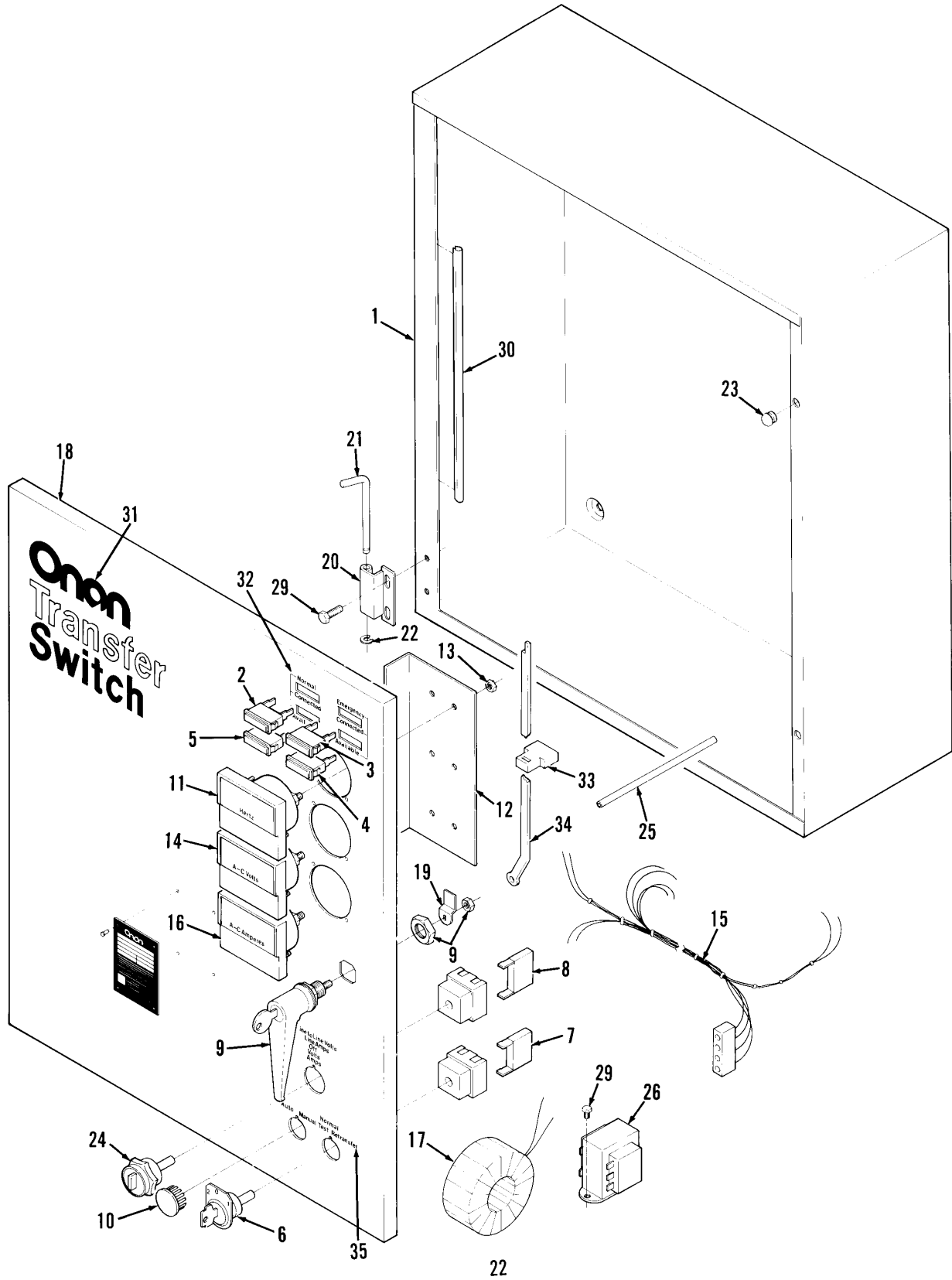


## Door and Cabinet

REF NO.	PART NO.	QTY USED	PART DESCRIPTION	REF NO.	PART NO.	QTY USED	PART DESCRIPTION
1			Cabinet, Control		302-1175	1	115/200 Volt, 1 Ph., 3 Wire
			<b>150 &amp; 225 Amp</b>		302-171 1	1	220/380 Volt, 3 Ph., 4 Wire
	301-9814	1	NEMA 1		302-1175	1	120/208 Volt, 3 Ph., 4 Wire
	319-0370	1	NEMA 3R		302-171 1	1	240/416 Volt, 3 Ph., 4 Wire
	319-0161	1	NEMA 4	15			Harness, Wiring - Meter
	319-0371-01	1	NEMA 12				<b>150 &amp; 225 Amp</b>
			<b>Spec K</b>				<b>60 Hertz</b>
	319-0371-01	1	NEMA 1		338-2063	1	120 Volt, 1 Ph., 2 Wire
	319-1100	1	NEMA 3R		338-2133	1	120/240 Volt, 1 Ph.,
	319-1101	1	NEMA 4				3 Wire
	319-1100-01	1	NEMA 12		338-2133	1	120/208 Volt, 3 Ph.,
			<b>260 Amp</b>				4 Wire
			NEMA 1		338-2133	1	120/240 Volt, 3 Ph.,
	301-9824	1	Spec G				4 Wire
	319-1143	1	Spec H & J		338-2134	1	240/480 Volt, 3 Ph.,
	319-0376	1	NEMA 3R				4 Wire
	319-0169	1	NEMA 4		338-2134	1	220/380 Volt, 3 Ph.,
	319-0371-01	1	NEMA 12				4 Wire
			<b>Spec K</b>		338-2134	1	277/480 Volt, 3 Ph.,
	319-1144	1	NEMA 1				4 Wire
	319-1102	1	NEMA 3R		338-2134	1	347/600 Volt, 3 Ph.,
	319-1103	1	NEMA 4				4 Wire
	319-1102-01	1	NEMA 12				<b>50 Hertz</b>
2	322-0170	1	Light, Indicating - Normal		338-2133	1	220 Volt, 1 Ph., 2 Wire
			(Green)		338-2133	1	115/200 Volt, 1 Ph.,
3	322-0137	1	Light, Indicating - Emergency				3 Wire
			(Red)		338-2134	1	220/380 Volt, 3 Ph.,
4	322-0387-02	1	Light, Indicating - Emergency				4 Wire
			Source Available (Clear)		338-2133	1	120/208 Volt, 3 Ph.,
5	322-0168	1	Light, Indicating - Normal				4 Wire
			Source Available (Amber)		338-2134	1	240/416 Volt, 3 Ph.,
6			Switch, Selector (Includes Key)				4 Wire
	308-0848	1	NEMA 1				<b>260 Amp</b>
	308-0849	1	Key, Replacement				<b>60 Hertz</b>
	308-0886	1	NEMA 3R		338-2135	1	120 Volt, 1 Ph., 2 Wire
	308-0988	1	Key, Replacement		338-2136	1	120/240 Volt, 1 Ph.,
	308-1054	1	Fire Pump Applications				3 Wire
	308-1055	1	Fire Pump Applications		338-2136	1	120/208 Volt, 3 Ph.,
	308-0989	1	Key, Replacement				4 Wire
			<b>Spec K</b>		338-2136	1	120/240 Volt, 3 Ph.,
	308-0994	1	NEMA 4				4 Wire
	308-0989	1	Key, Replacement		338-2065	1	240/480 Volt, 3 Ph.,
7	308-0854	1	Block, Contact - N.C. (1 Ph.)				4 Wire
8	308-0850	1	Block, Contact - N.O. (1 Ph.)		338-2065	1	220/380 Volt, 3 Ph.,
9	406-0613	1	Handle, Door (Includes Key)				4 Wire
	406-0649	1	Key, Replacement		338-2065	1	277/480 Volt, 3 Ph.,
10	517-0137	2	Plug, Hole				4 Wire
11	302-1992	1	Meter, Frequency (45 - 65 Hz.)		338-2065	1	347/600 Volt, 3 Ph.,
12	306-3464	1	Shield, Meter				4 Wire
13	870-0439	6	Nut, Nylon				<b>50 Hertz</b>
14			Voltmeter - AC		338-2136	1	220 Volt, 1 Ph., 2 Wire
			<b>60 Hertz</b>		338-2136	1	115/200 Volt, 1 Ph.,
	302-1692	1	120 Volt, 1 Ph., 2 Wire				3 Wire
	302-1175	1	120/240 Volt, 1 Ph., 3 Wire		338-2065	1	220/380 Volt, 3 Ph.,
	302-1175	1	120/208 Volt, 3 Ph., 4 Wire				4 Wire
	302-1175	1	120/240 Volt, 3 Ph., 4 Wire		338-2136	1	120/208 Volt, 3 Ph.,
	302-171 1	1	240/480 Volt, 3 Ph., 4 Wire				4 Wire
	302-171 1	1	220/380 Volt, 3 Ph., 4 Wire		338-2065	1	240/416 Volt, 3 Ph.,
	302-171 1	1	277/480 Volt, 3 Ph., 4 Wire				4 Wire
	302-1710	1	347/600 Volt, 3 Ph., 4 Wire		338-3203	1	<b>Open Construction</b>
			<b>50 Hertz</b>				
	302-1175	1	220 Volt, 1 Ph., 2 Wire				

Continued on next page

# Door and Cabinet (Continued)

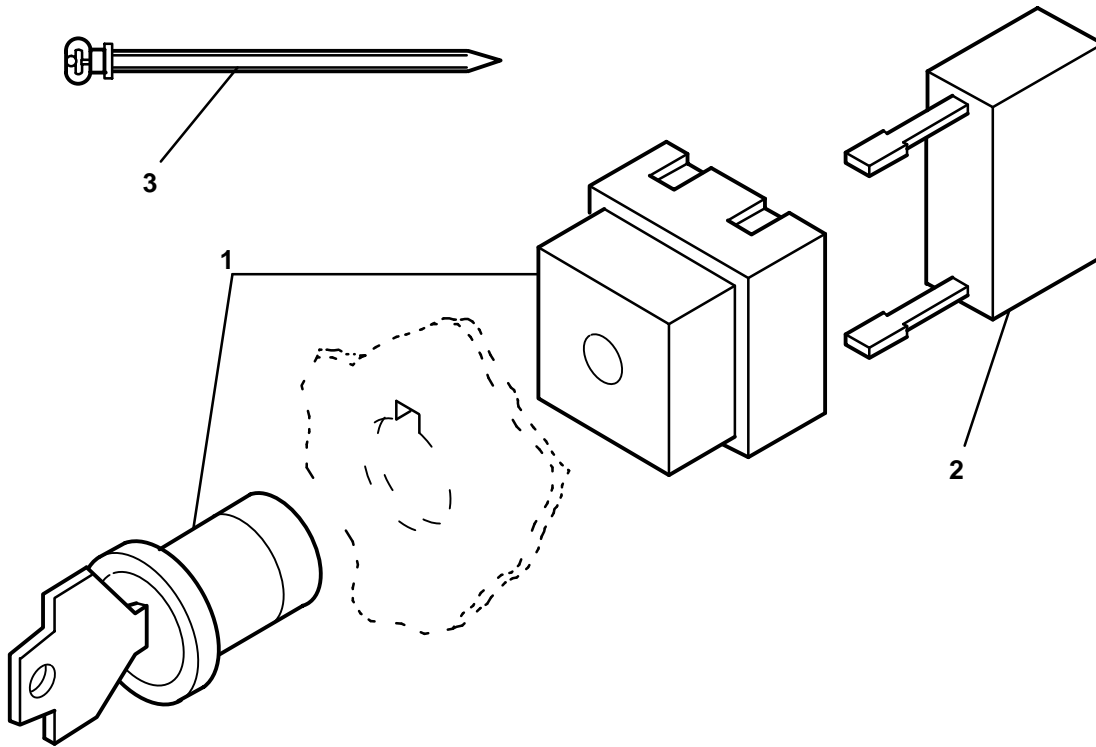




## Door and Cabinet (Continued)

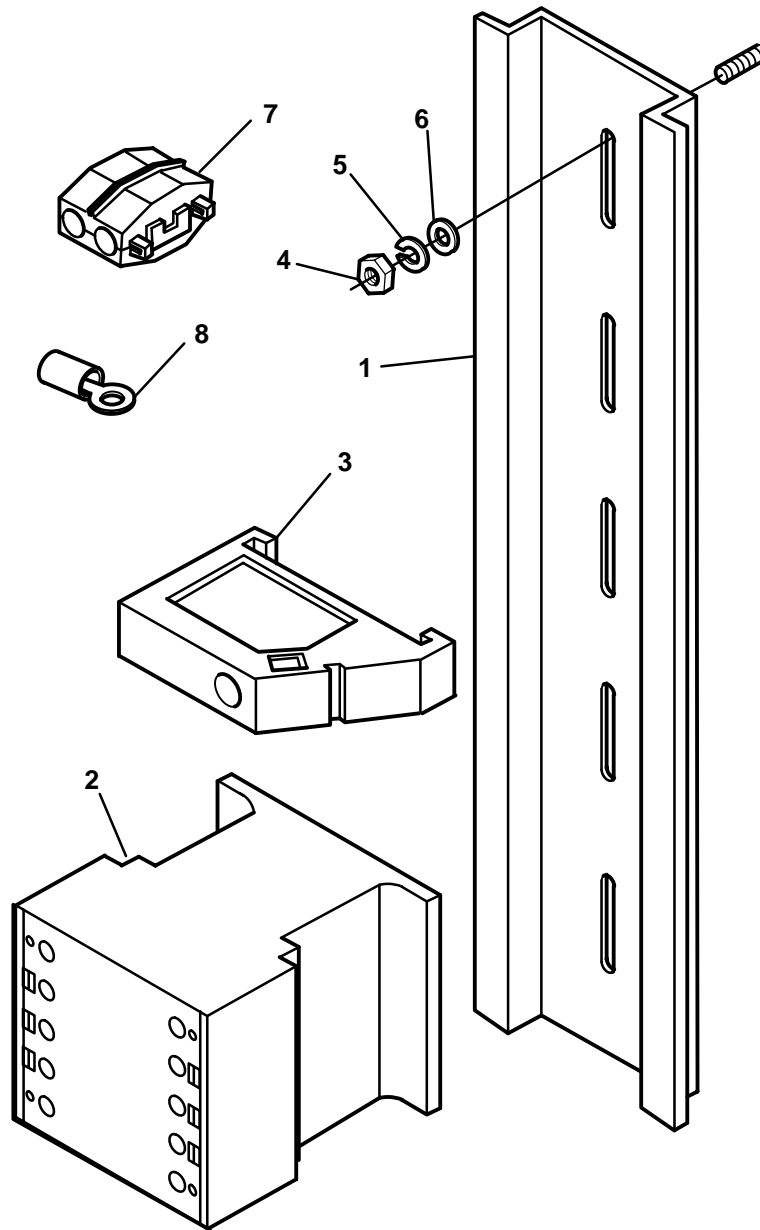
REF NO.	PART NO.	QTY USED	PART DESCRIPTION	REF NO.	PART NO.	QTY USED	PART DESCRIPTION
16			Ammeter		319-1 146-01	1	Without Meter Holes
	302-1808-01	1	150 Amp				<b>NEMA 3R</b>
	302-1761	1	225 Amp		319-0375-03	1	With Meter Holes
	302-1805-03	1	260 Amp		319-0375-04	1	Without Meter Holes
17			Transformer, Current				<b>NEMA 4</b>
	338-2204-04	1	1 Phase -150 Amp		319-0163-03	1	With Meter Holes
	338-2204-05	1	1 Phase - 225 Amp		319-0163-04	1	Without Meter Holes
	338-2204-06	1	1 Phase - 260 Amp				<b>NEMA 12</b>
	338-2205-04	1	3 Phase - 150 Amp		319-0375-05	1	With Meter Holes
	338-2205-05	1	3 Phase - 225 Amp		319-0375-06	1	Without Meter Holes
	338-2205-06	1	3 Phase - 260 Amp				
18			Door, Cabinet	19			Latch, Cam
			150 & 225 Amp		306-3465	1	150 & 225 Amp
			<b>NEMA 1</b>		306-3466	1	260 Amp
	301-9818	1	With Meter Holes	20	406-0610-02	2	Hinge, Door
	301-9816	1	Without Meter Holes	21	406-0610-03	2	Pin, Hinge
			<b>NEMA 3R</b>	22	406-0610-04	2	Clip, Pin
	319-0369-01	1	With Meter Holes	23	508-0231	3	Bumper
	319-0369-02	1	Without Meter Holes	24			Switch, Selector Phase
			<b>NEMA 4</b>		308-0905	1	1 Phase
	319-0155-01	1	With Meter Holes		308-0904	1	3 Phase
	319-0155-02	1	Without Meter Holes	25	898-0778	1	Sleeving, Insulation
			<b>NEMA 12</b>	26			Transformer, Stepdown (T3)
	319-0369-05	1	With Meter Holes		315-0731	1	(380/416 Volts Only)
	319-0369-06	1	Without Meter Holes		315-0377	1	(480/600 Volts Only)
			<b>Spec K</b>	29	821-0004	4	Screw, Lock (#10-32 x .31)
			<b>NEMA 1</b>	30	508-1045	2	Edging
	301-9818-01	1	With Meter Holes	31	098-5692	1	Label, Product ID
	301-9816-01	1	Without Meter Holes	32	098-5693	1	Label, Lamp
			<b>NEMA 3R</b>	33	306-3467	2	Guide, Rod (260 Amp Only)
	319-0369-03	1	With Meter Holes	34	306-3468-01	2	Rod, Roller (260 Amp Only)
	319-0369-04	1	Without Meter Holes	35			Label, Door
			<b>NEMA 4</b>		098-5694	1	150 & 225 Amp
	319-0155-03	1	With Meter Holes		098-5695	1	With Switch
	319-0155-04	1	Without Meter Holes				Without Switch
			<b>NEMA 12</b>		098-5696	1	260 Amp
	319-0369-05	1	With Meter Holes		098-5697	1	With Switch
	319-0369-06	1	Without Meter Holes		332-2877	5	Without Switch
			<b>260 Amp</b>		332-1348	2	Tie, Cable (Not Illustrated)
			<b>Spec G</b>				Spacer, Bar - Neutral (Not Illustrated)
			<b>NEMA 1</b>		319-0145	1	*#Cover, Meter (Not Illustrated)
	301-9818	1	With Meter Holes		319-0146	1	*#Gasket, Cover - Meter (Not Illustrated)
	301-9816	1	Without Meter Holes				*#Adhesive (Not Illustrated)
	319-0369-01	1	With Meter Holes		518-0404	1	*#Washer, Rubber (Not Illustrated)
	319-0369-02	1	Without Meter Holes		508-0233	AR	Illustrated)
			<b>NEMA 4</b>		870-0386	16	*#Nut, Acorn (Not Illustrated)
	319-0155-01	1	With Meter Holes				*#Gasket, Door (Not Illustrated)
	319-0155-02	1	Without Meter Holes				150 & 225 Amp
			<b>Spec H &amp; J</b>		895-0293-03	2	26.70" Long
			<b>NEMA 1</b>		895-0293-04	2	34.73" Long
	319-1 148	1	With Meter Holes				260 Amp
	319-1 146	1	Without Meter Holes		895-0293-05	2	28.39" Long
			<b>NEMA 3R</b>		895-0293-06	2	39.14" Long
	319-0369-01	1	With Meter Holes		306-3525	1	*Latch, Cam - 3 Point (Not Illustrated)
	319-0369-02	1	Without Meter Holes				#Spring, Conical (Not Illustrated)
			<b>NEMA 4</b>		406-0519	8	#Bracket, Door (Not Illustrated)
	319-0155-01	1	With Meter Holes		301-6727	8	*#Plug, Hole (Not Illustrated)
	319-0155-02	1	Without Meter Holes		517-0266	AR	Paint, 13 oz. Spray Can
			<b>NEMA 12</b>		525-0305	1	(Green) (Not Illustrated)
	319-0375-05	1	With Meter Holes		098-6367	1	Label, Torque (Not Illustrated)
	319-0375-06	1	Without Meter Holes				
			<b>Spec K</b>	*	NEMA 3R Only		# NEMA 4 Only
	319-1 148-01	1	With Meter Holes				

## Auto/Manual Switch



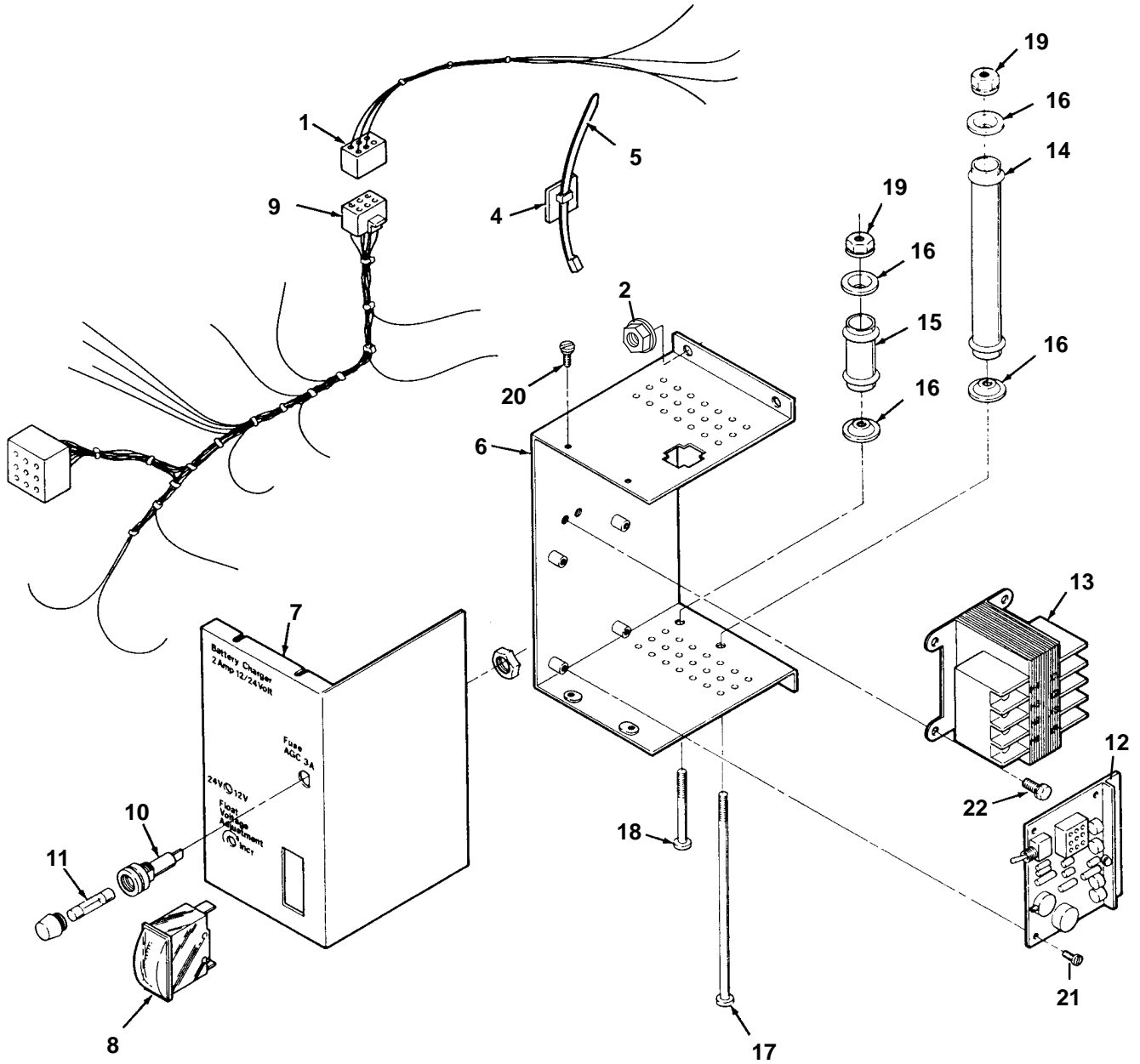
REF NO.	PART NO.	QTY USED	PART DESCRIPTION	REF NO.	PART NO.	QTY USED	PART DESCRIPTION
1			Switch, Selector (S12) (Includes Key)	332-0941	10	Open Construction	
			Spec G & H	308-0955	1	*Switch, Selector (S14)	(Not Illustrated)
	308-0851	1	NEMA 1	308-0989	1	Key (Not Illustrated)	
	308-0849	1	Key, Replacement	307-2578	2	*Relay, Control (Not Illustrated)	
	308-0886	1	NEMA 4	815-0446	4	*Screw, Round Head - Cross Recessed w/IT (#8-32 x 1/2)	(Not Illustrated)
	308-0988	1	Key, Replacement			*Terminal, Ring (#8)	(Not Illustrated)
	308-0990	1	Spec J	332-0802	1	*Label, Operation	(Not Illustrated)
	308-0990	1	NEMA 1	098-6561	1	*Mount, Tie - Cable	(Not Illustrated)
	308-0989	1	Key, Replacement	332-2420	2	*Label, Switch (Not Illustrated)	
	308-0990	1	Open Construction	098-6697	1	*Marker, Adhesive - Relay	(Not Illustrated)
	308-0989	1	Utility to Genset	532-0374	1		
	308-0989	1	Key, Replacement				
	308-0957	1	Utility to Utility				
	308-0989	1	Key, Replacement				
	308-0994	1	Spec K				
	308-0989	1	NEMA 4				
	308-0989	1	Key, Replacement				
2	308-0850	1	Block, Contact - Normally Open	* Parts used on Open Construction Utility to Utility Only (Not Illustrated)			
3			Tie, Cable				
	332-0942	10	Units with Cabinet				

## Auxiliary Relay



REF NO.	PART NO.	QTY USED	PART DESCRIPTION	REF NO.	PART NO.	QTY USED	PART DESCRIPTION
1	332-2879-02	1	Rail, Terminal	5	853-0005	2	Washer, Lock ET (#8)
2			Relay, Control	6	526-0003	2	Washer, Flat (#8)
	307-2578	1	24 VAC	7	332-2230	1	Terminal, Tap - Plier
	307-2582	1	12 VDC	8	332-0802	1	Terminal, Ring (#8)
	307-2583	1	24 VDC		334-1842	1	Wire, 16 AWG - 600V TEW (12") (Not Illustrated)
3	332-2878	2	Bracket, End				
4	860-0008	2	Nut, Hex (#8-32)				

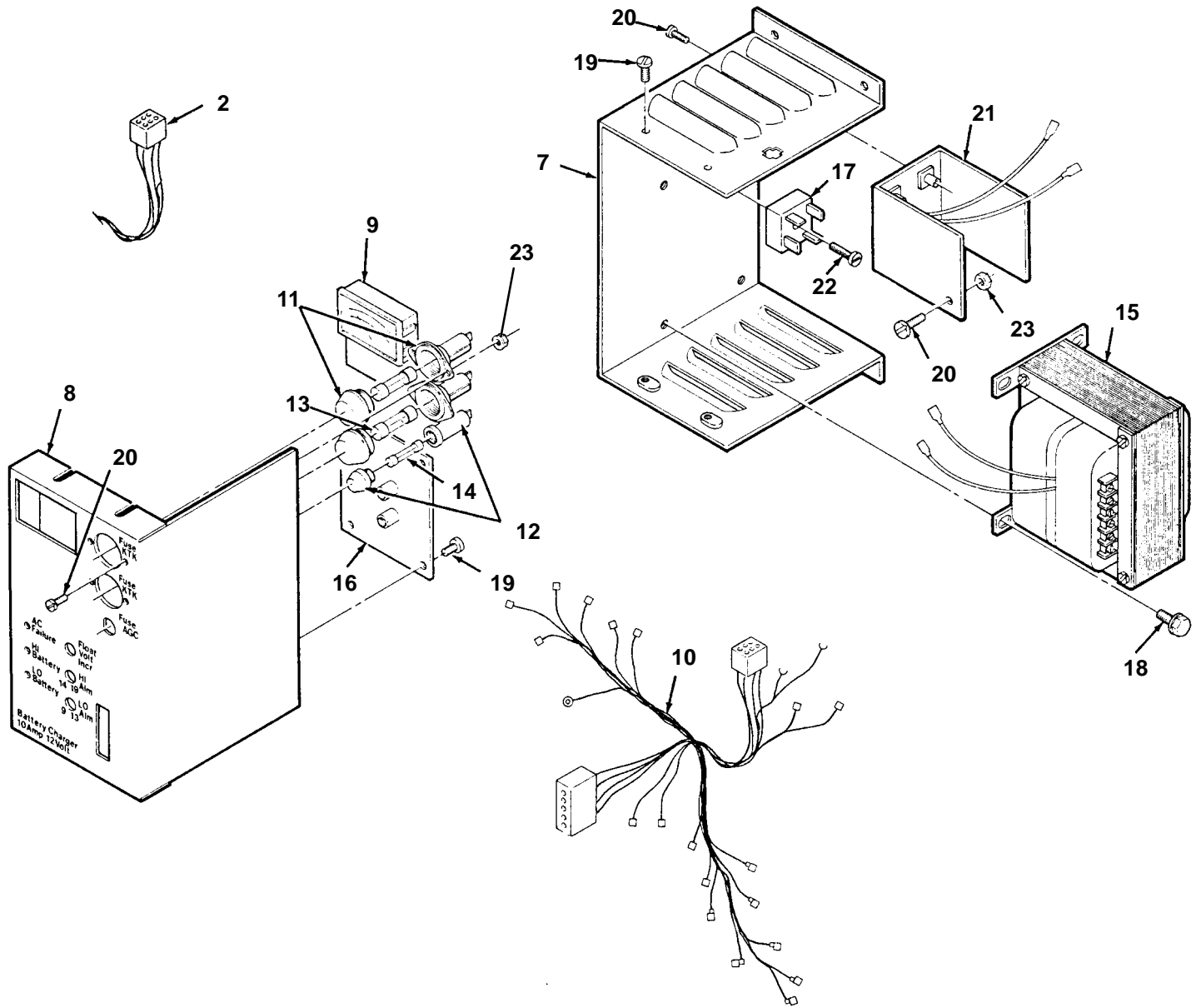
# Battery Charger (2 Amp)



## Battery Charger (2 Amp)

REF NO.	PART NO.	QTY USED	PART DESCRIPTION	REF NO.	PART NO.	QTY USED	PART DESCRIPTION
1			Harness, Wiring - Battery Charger	14	304-0037	1	Resistor, Fixed
	338-2161	1	Units with Cabinet Open Construction	15	304-0139	1	Resistor, Fixed
	338-2949	1	Genset to Genset	16	304-0015	4	Washer, Centering
	338-2161	1	Utility to Genset	17	813-01 16	1	Screw, Round Head (#10-32 x 6-1/2)
	338-2983	1	3 Wire Start	18	813-01 12	1	Screw, Round Head (#10-32 x 2-1/2)
2	870-0131	4	Nut, Lock W/ET (#10-32)	19	870-0131	2	Nut, Lock W/ET (#10-32)
3	332-2777	2	Terminal, Spade	20	815-0550	4	Screw, Pan Head W/ET (#6-32 x 3/8)
4	332-2420	8	Mount, Tie - Cable	21	815-0549	4	Screw, Pan Head W/ET (#6-32 x 1/4)
5	332-0942	20	Tie, Cable	22	821-0040	4	Screw, Lock (#10-32 x 5/16)
6	301-9990	1	Wrapper, Charger - Battery				
7	301-9992	1	Cover, Charger - Battery (Includes Label)				
	098-5708	1	Label				
8	302-0807	1	Meter, Ampere - DC				
9	338-2149	1	Harness, Wiring - Battery Charger				
10	321-0175	1	Holder, Fuse				
11	321-0153	1	Fuse, 3 Amp				
12	300-2946	1	Board, Printed Circuit - Battery Charger				
13			Transformer (Primary Voltage)				
			<b>60 Hertz</b>				
	315-0621-01	1	120 Volt				
	315-0621-02	1	208 Volt				
	315-0621-02	1	240 Volt				
	315-0621-03	1	380 Volt				
	315-0621-02	1	480 Volt				
	315-0621-04	1	600 Volt				
			<b>50 Hertz</b>				
	315-0621-02	1	200 Volt				
	315-0621-02	1	208 Volt				
	315-0621-02	1	220 Volt				
	315-0621-03	1	380 Volt				
	315-0621-03	1	416 Volt				

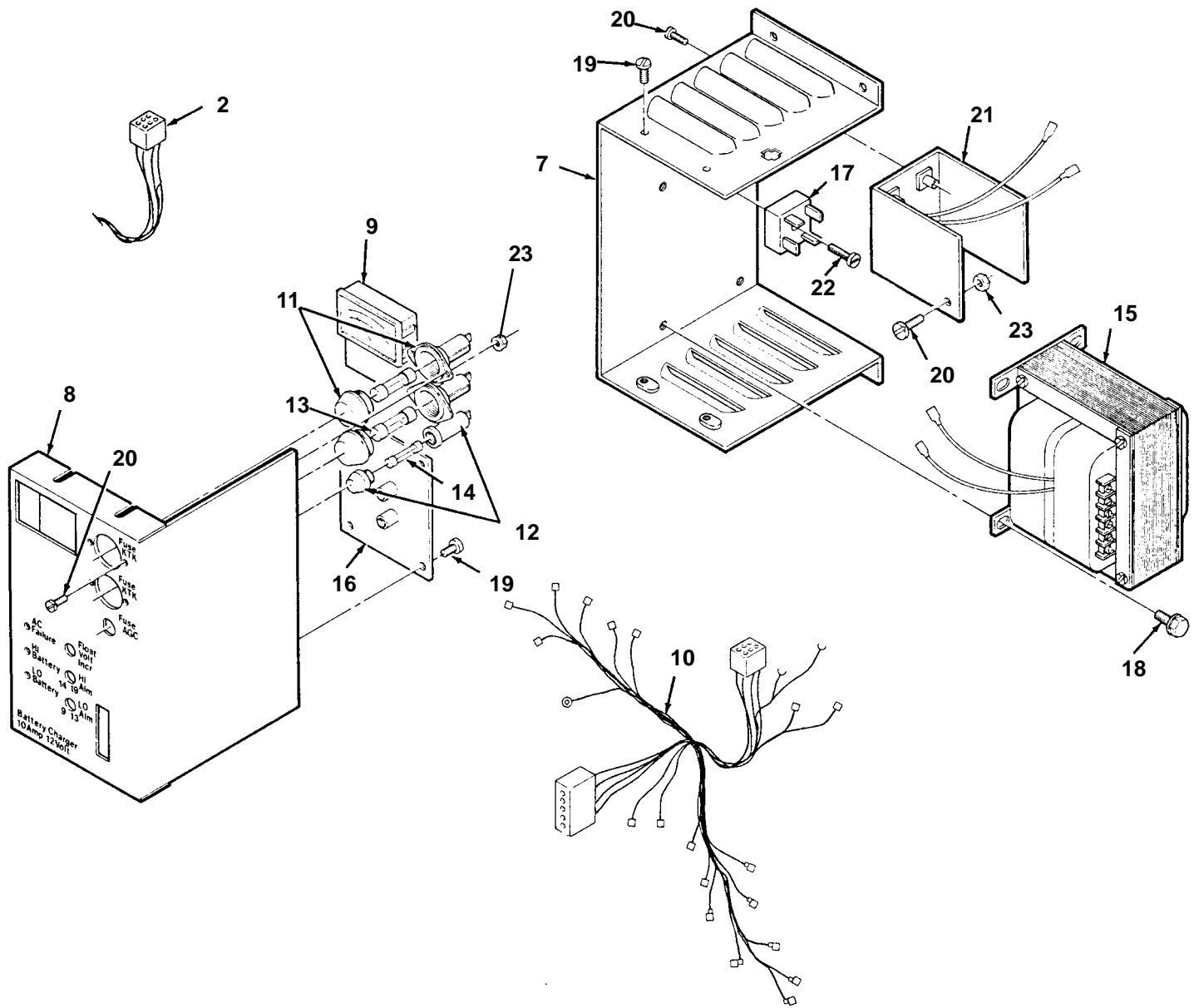
# Battery Charger (10 Amp 12 Volt)



## Battery Charger (10 Amp 12 Volt)

REF NO.	PART NO.	QTY USED	PART DESCRIPTION	REF NO.	PART NO.	QTY USED	PART DESCRIPTION
1	098-4339	1	Label, Option	14	321-0127	1	Fuse, 15 Amp
2			Harness, Wiring - Battery Charger	15			Transformer (Primary Voltage) <b>60 Hertz</b>
	338-2161	1	Units with Cabinet		315-0665	1	120 Volt
			Open Construction		315-0665	1	208 Volt
	338-2949	1	Genset to Genset		315-0665	1	240 Volt
	338-2161	1	Utility to Genset		315-0671	1	380 Volt
	338-2983	1	3 Wire Start		315-0673	1	480 Volt
3	870-0131	4	Nut, Lock W/ET (#10-32)		315-0675	1	600 Volt
4	332-2777	2	Terminal, Spade				<b>50 Hertz</b>
5	332-2420	8	Mount, Tie - Cable		315-0667	1	200 Volt
6	332-0942	20	Tie, Cable		315-0669	1	220 Volt
7	319-0072	1	Wrapper, Charger - Battery		315-0677	1	240 Volt
8	319-0073	1	Cover, Charger - Battery		315-0679	1	347 Volt
			Label		315-0667	1	380 Volt
			<b>500 Volt</b>		315-0667	1	400 Volt
	098-5807	1	4.5 Amp		315-0669	1	416 Volt
	098-5808	1	2.5 Amp		315-0669	1	440 Volt
	098-5809	1	2.0 Amp	16	300-3160	1	Board, Printed Circuit - Battery Charger
	098-5995	1	1.5 Amp				Rectifier, Bridge
	098-5996	1	1.0 Amp	17	305-0653	1	Screw, Lock (#10-32 x 5/16)
			<b>600 Volt</b>	18	821-0040	4	Screw, Pan Head W/ET (#6-32 x 3/8)
	098-6039	1	1.0 Amp	19	815-0550	8	Screw, Pan Head (#8-32 x 1/2)
9	302-1844	1	Meter, Ampere - DC				Rectifier, SCR
10	338-2223	1	Harness, Wiring - Battery Charger	20	822-2048	5	Screw, Pan Head W/ET (#8-32 x 5/8)
			Holder, Fuse (AC Input)	21	305-0781	1	Nut, Lock W/ET (#8-32)
11	321-0237	2	Holder, Fuse (DC Output)	22	822-2049	1	Instruction Sheet
12	321-0104	1	Fuse	23	870-0221	5	
13			<b>500 Volt</b>	24	C-0308	1	
	321-0304-01	2	1.0 Amp				
	321-0304-02	2	1.5 Amp				
	321-0304-03	2	2.0 Amp				
	321-0304-04	2	2.5 Amp				
	321-0304-05	2	4.5 Amp				
			<b>600 Volt</b>				
	321-0236	2	1.0 Amp				

# Battery Charger (10 Amp 24 Volt)

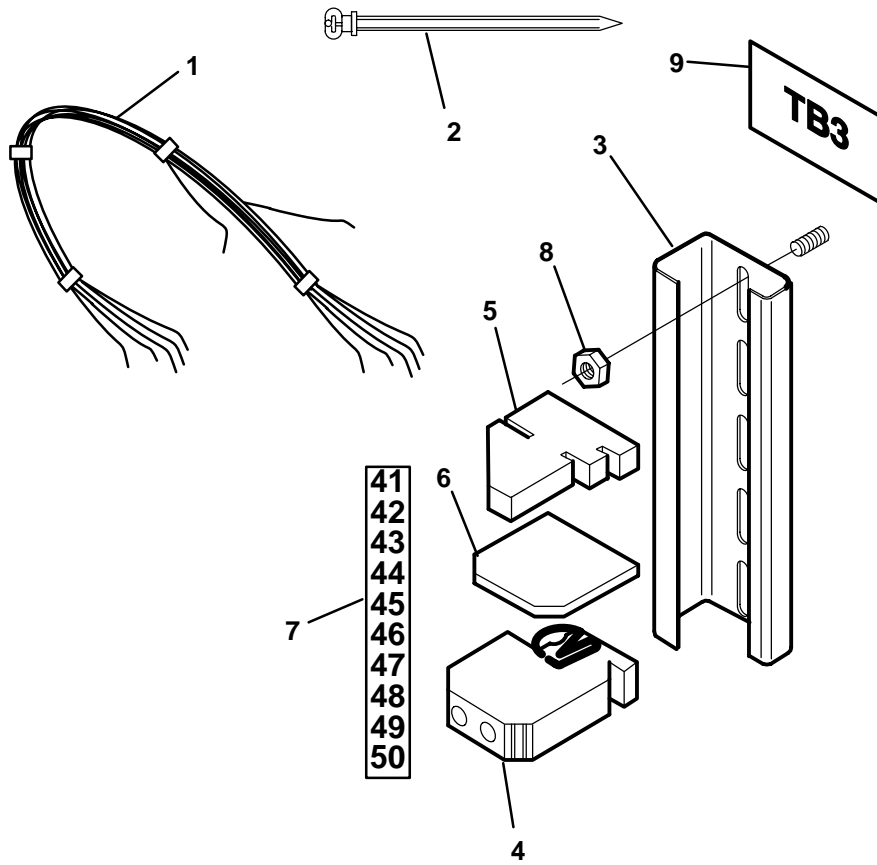




## Battery Charger (10 Amp 24 Volt)

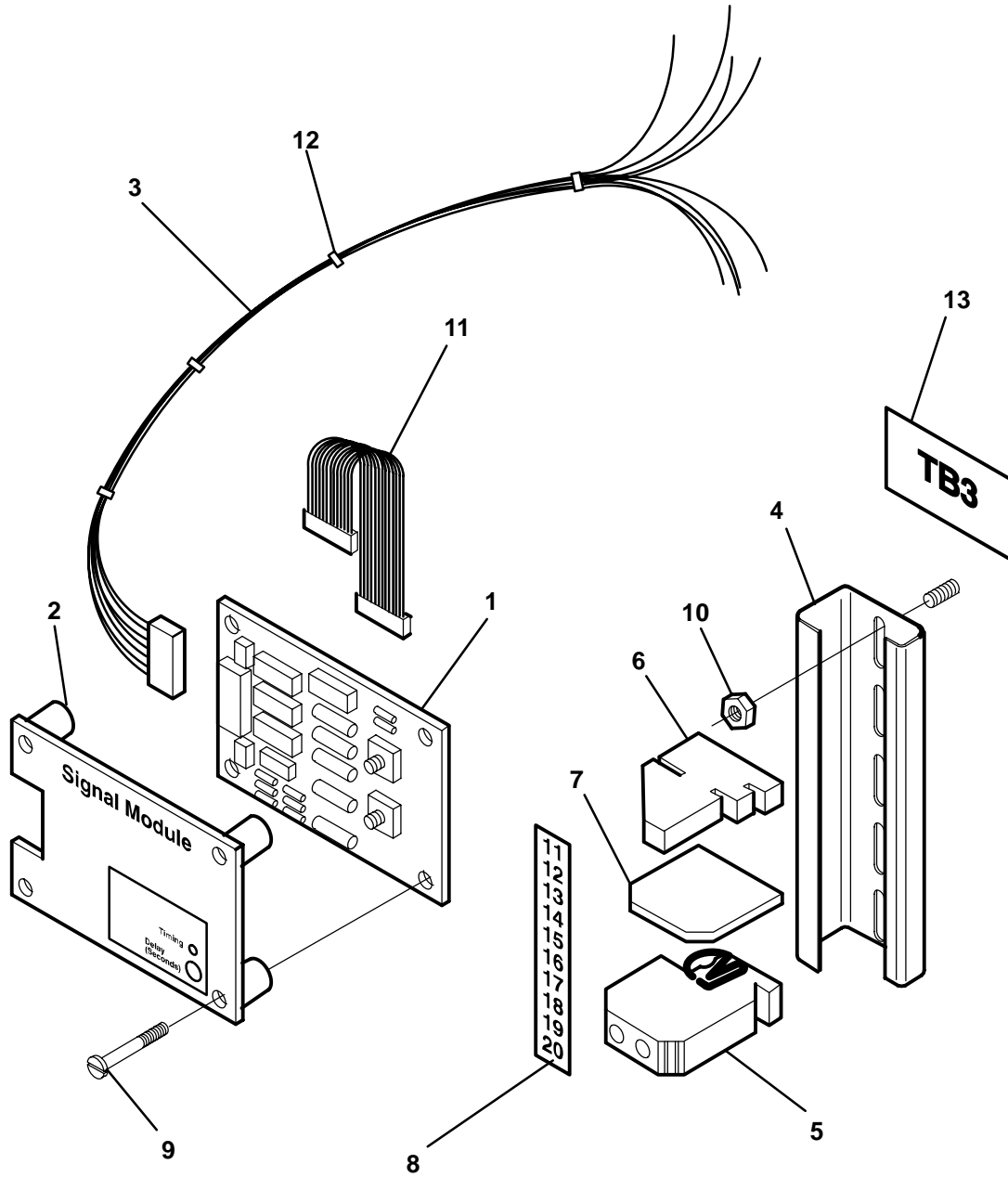
REF NO.	PART NO.	QTY USED	PART DESCRIPTION	REF NO.	PART NO.	QTY USED	PART DESCRIPTION
1	098-4339	1	Label, Option	14	321-0127	1	Fuse, 15 Amp
2			Harness, Wiring - Battery Charger	15			Transformer (Primary Voltage) <b>60 Hertz</b>
	338-2161	1	Units with Cabinet Open Construction		315-0701	1	120 Volt
	338-2949	1	Genset to Genset		315-0701	1	208 Volt
	338-2161	1	Utility to Genset		315-0701	1	240 Volt
	338-2983	1	3 Wire Start		315-0707	1	380 Volt
3	870-0131	4	Nut, Lock W/ET (#10-32)		315-0709	1	480 Volt
4	332-2777	2	Terminal, Spade		315-071 1	1	600 Volt
5	332-2420	8	Mount, Tie - Cable				<b>50 Hertz</b>
6	332-0942	20	Tie, Cable		315-0703	1	200 Volt
7	319-0072	1	Wrapper, Charger - Battery		315-0705	1	220 Volt
8	319-0073	1	Cover, Charger - Battery		315-0713	1	240 Volt
			Label		315-0715	1	347 Volt
	098-5914	1	5.0 Amp		315-0703	1	380 Volt
	098-5915	1	4.5 Amp		315-0703	1	400 Volt
	098-5916	1	2.5 Amp		315-0705	1	416 Volt
	098-5997	1	2.0 Amp	16	315-0705	1	440 Volt
	098-5998	1	1.5 Amp		300-3244	1	Board, Printed Circuit - Battery Charger
9	302-1844	1	Meter, Ampere - DC	17	305-0653	1	Rectifier, Bridge
10	338-2223	1	Harness, Wiring - Battery Charger	18	821-0040	4	Screw, Lock (#10-32 x 5/16)
			Holder, Fuse (AC Input)	19	815-0550	8	Screw, Pan Head W/ET (#6-32 x 3/8)
11	321-0237	2	Holder, Fuse (DC Output)	20	822-2048	5	Screw, Pan Head (#8-32 x 1/2)
12	321-0104	1	Fuse	21	305-0781	1	Rectifier, SCR
13			1.5 Amp	22	822-2049	1	Screw, Pan Head W/ET (#8-32 x 5/8)
	321-0304-02	2	2.0 Amp				
	321-0304-03	2	2.5 Amp	23	870-0221	5	Nut, Lock W/ET (#8-32)
	321-0304-04	2	4.5 Amp	24	C-0308	1	Instruction Sheet
	321-0304-05	2	5.0 Amp				
	321-0304-06	2					

## Battery Charger Alarm



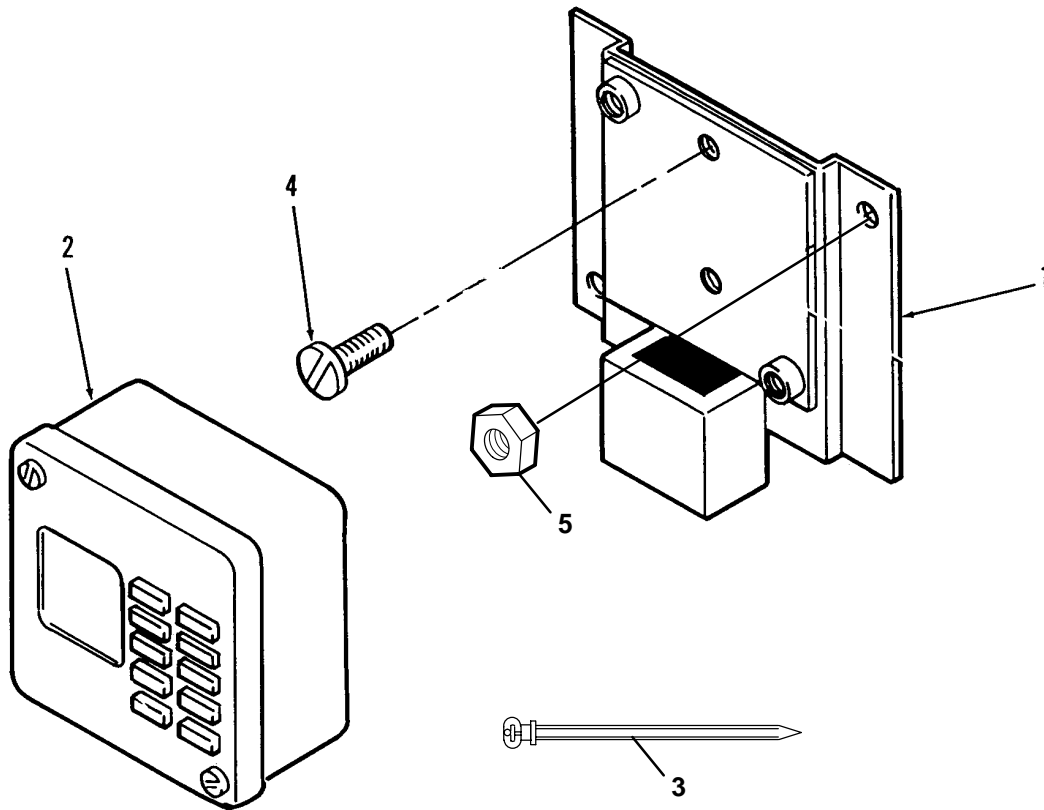
REF NO.	PART NO.	QTY USED	PART DESCRIPTION	REF NO.	PART NO.	QTY USED	PART DESCRIPTION
1	338-2349	1	Harness, Wiring - Battery Charger Alarm	5	332-2839	2	Bracket, End - Terminal
2	332-0942	20	Tie, Cable Units with Cabinets	6	332-2841	1	Plate, End - Terminal
	332-0941	5	Open Construction	7	332-2842-15	2	Tag, Terminal (41-50)
3	332-2837-09	1	Rail, Block - Terminal (Units with Cabinets Only)	8	870-0221	2	Nut, Hex w/ET (#8-32) (Units with Cabinets Only)
4	332-2836-02	1	Block, Terminal - Sectional	9	098-5710	1	Label, Block - Terminal (TB3) (Units with Cabinets Only)

# Elevator Signal



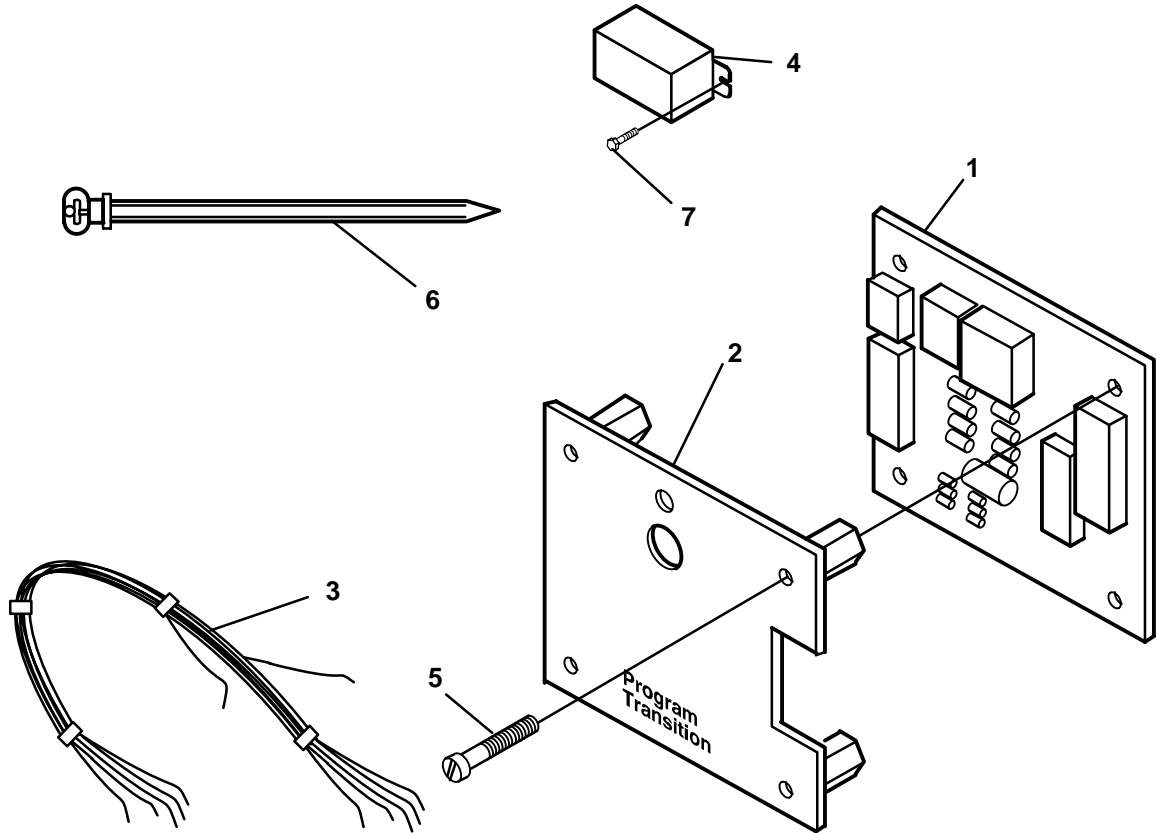
REF NO.	PART NO.	QTY USED	PART DESCRIPTION	REF NO.	PART NO.	QTY USED	PART DESCRIPTION
1	300-3096	1	Board, Printed Circuit - Elevator Signal (Includes Fuses)	7	332-2841	1	Plate, End - Terminal Tag, Terminal
	321-0174	5	Fuse, 5 Amp 250 Volt (F1-F5)	8	332-2842-12	2	Spec G (11-20)
2	301-9932	1	Cover, Signal - Elevator (Includes Label)		332-2842-13	2	Spec H & J (21-30)
3			Harness, Wiring - Elevator Signal	9	815-0680	4	Screw, Pan Head Recessed W/ET (#6-32 x 1)
	338-2141	1	Spec G	10	870-0221	2	Nut, Lock W/ET (#8-32)
	338-2140	1	Spec H & J	11	323-1409	1	Pin and Ribbon Assembly
4	332-2837-09	1	Rail, Terminal	12	332-0942	10	Tie, Cable
5	332-2836-02	2	Block, Terminal - Sectional	13	098-5710	1	Label, Block - Terminal
6	332-2839	2	Bracket, End - Terminal		332-2842-13	2	Tag, Terminal (21-30) (Not Illustrated)

## Exerciser Clock



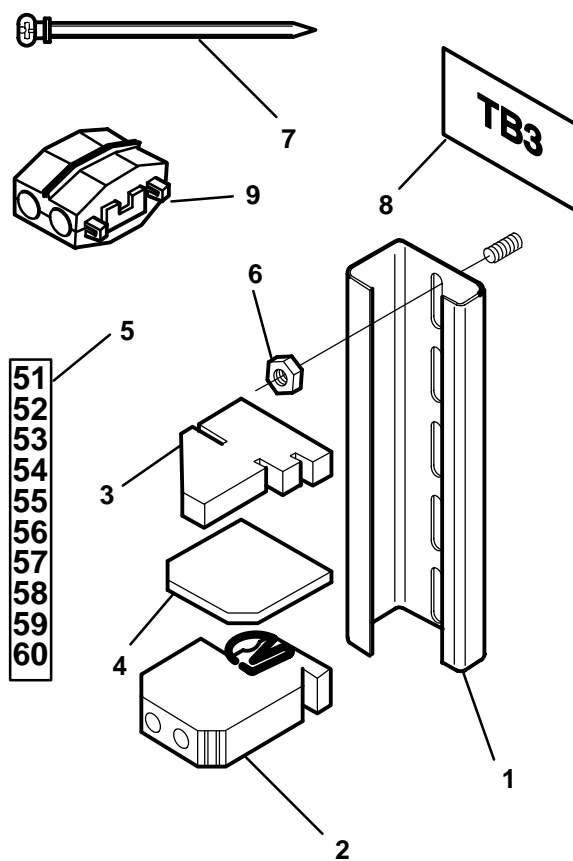
REF NO.	PART NO.	QTY USED	PART DESCRIPTION	REF NO.	PART NO.	QTY USED	PART DESCRIPTION
1	301-9768	1	Plate, Clock - Exerciser	4	815-0550	2	Screw, Machine - Round Head - Cross Recessed W/ET (#6-32 x 3/8)
2	307-2577	1	Clock, Exerciser	5	870-0131	2	Nut, Lock W/ET (#10-32)
3	332-0942	10	Tie, Cable				

## Programmed Transition



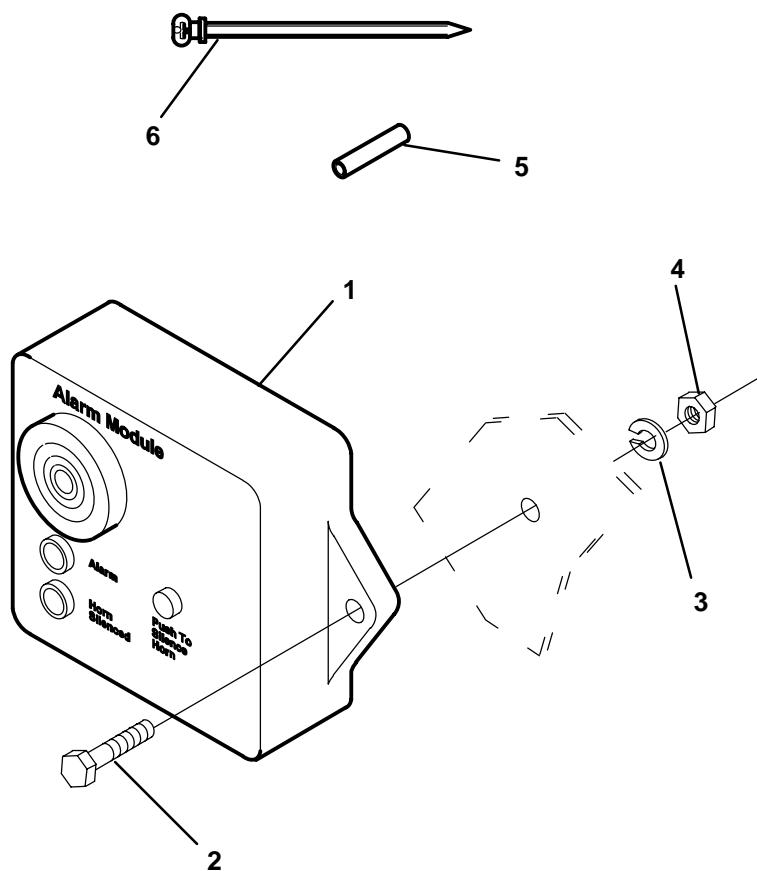
REF NO.	PART NO.	QTY USED	PART DESCRIPTION	REF NO.	PART NO.	QTY USED	PART DESCRIPTION
1			Board, Printed Circuit - Programmed Transition	4	307-2591	1	Relay, Programmed Transition (K3)
	300-31 15-01	1	07.5 Seconds	5	815-0680	4	Screw, Machine - Pan Head Cross Recessed W/ET (#6-32 x 1)
	300-31 15-02	1	60.0 Seconds	6	332-0942	8	Tie, Cable
2			Cover, Programmed Transition (Includes Silkscreen)	7	815-0550	2	Screw, Pan Head - Recessed W/ET (#6-32 x 3/8)
	301-9928-01	1	07.5 Seconds				
	301-9928-02	1	60 Seconds				
3	338-2139	1	Harness, Wiring - Programmed Transition				

## Remote Connection Signal



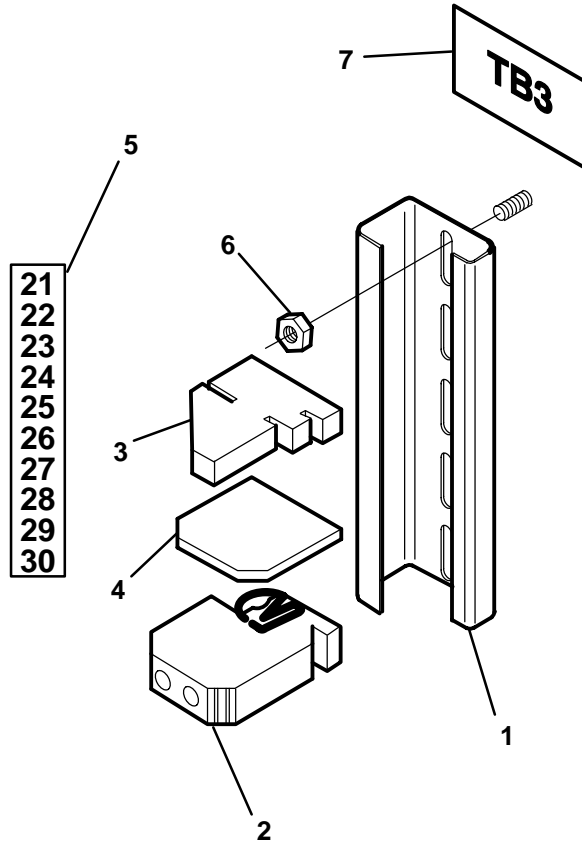
REF NO.	PART NO.	QTY USED	PART DESCRIPTION	REF NO.	PART NO.	QTY USED	PART DESCRIPTION
1	332-2837-09	1	Rail, Terminal	6	870-0221	2	Nut, Hex w/ET (#8-32)
2	332-2836-01	2	Block, Terminal - Sectional	7	332-0942	10	Tie, Cable
3	332-2839	2	Bracket, End - Terminal	8	098-5710	1	Label, Block - Terminal
4	332-2841	1	Plate, End - Terminal	9	332-2230	2	Terminal, Tap - Plier
5	332-2842-16	2	Tag, Terminal (51-60)				

## Alarm Module



REF NO.	PART NO.	QTY USED	PART DESCRIPTION	REF NO.	PART NO.	QTY USED	PART DESCRIPTION
1			Module, Alarm	4	862-0001	2	Nut, Hex (1/4-20)
	300-3998-01	1	24 Volt AC or DC	5	332-2230	2	Splice, Inline (22-18 Wire)
	300-3998-02	1	12 VDC	6	332-0942	3	Tie, Cable
2	800-0006	2	Screw, Cap - Hex Head (1/4-20 x 7/8)		539-1344	1	Template, Module - Alarm (Not Illustrated)
3	850-0040	2	Washer, Lock (1/4)				

# Load Shed



REF NO.	PART NO.	QTY USED
1	332-2837-09	1
2	332-2836-01	2
3	332-2839	2
4	332-2841	1
5	332-2842-13	2

PART DESCRIPTION
*Rail, Terminal
Block, Terminal - Sectional
Bracket, End - Terminal
Plate, End - Terminal
Tag, Terminal (21-30)

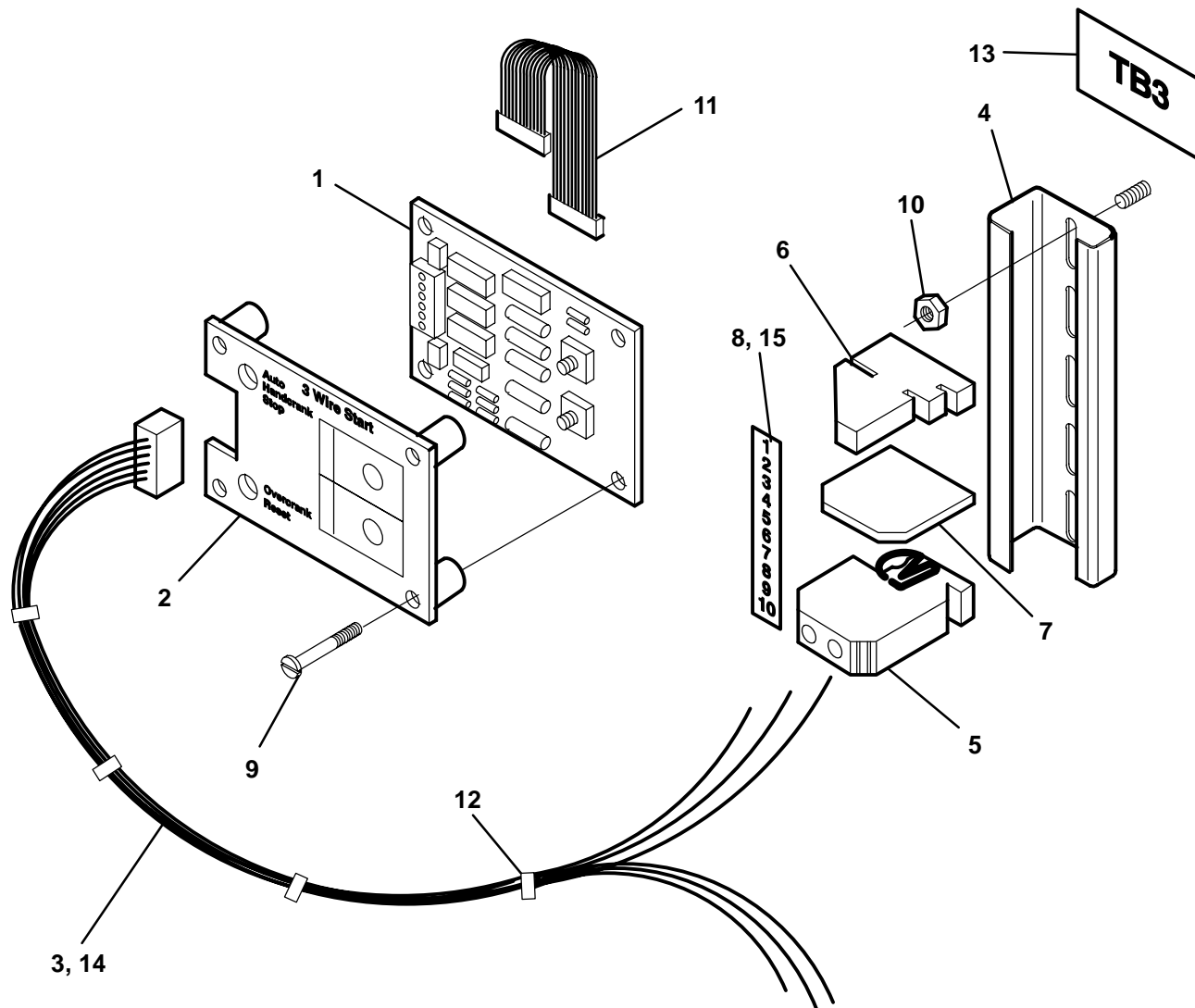
REF NO.	PART NO.	QTY USED
6	870-0221	2
7	098-5710	1

PART DESCRIPTION
*Nut, Hex w/ET (#8-32)
*Label, Block - Terminal

\* Not used with Open Construction

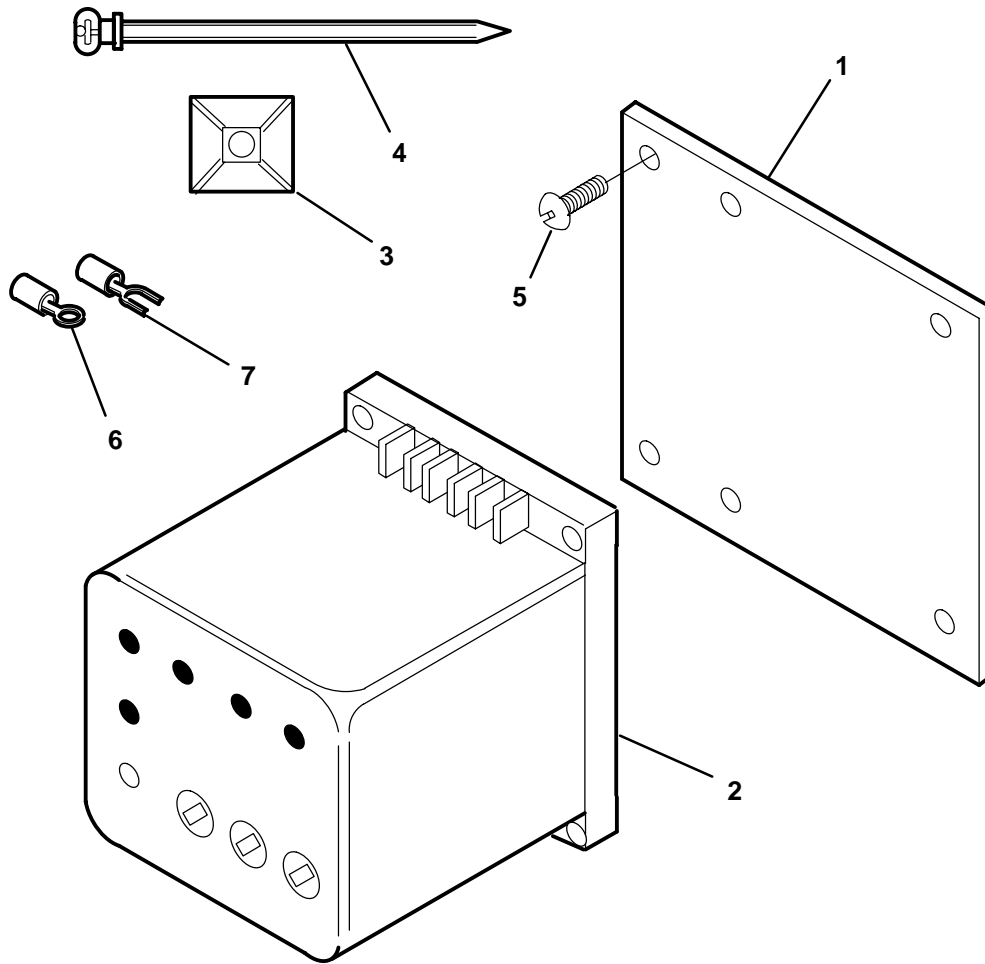


## 2 to 3 Wire Convertor



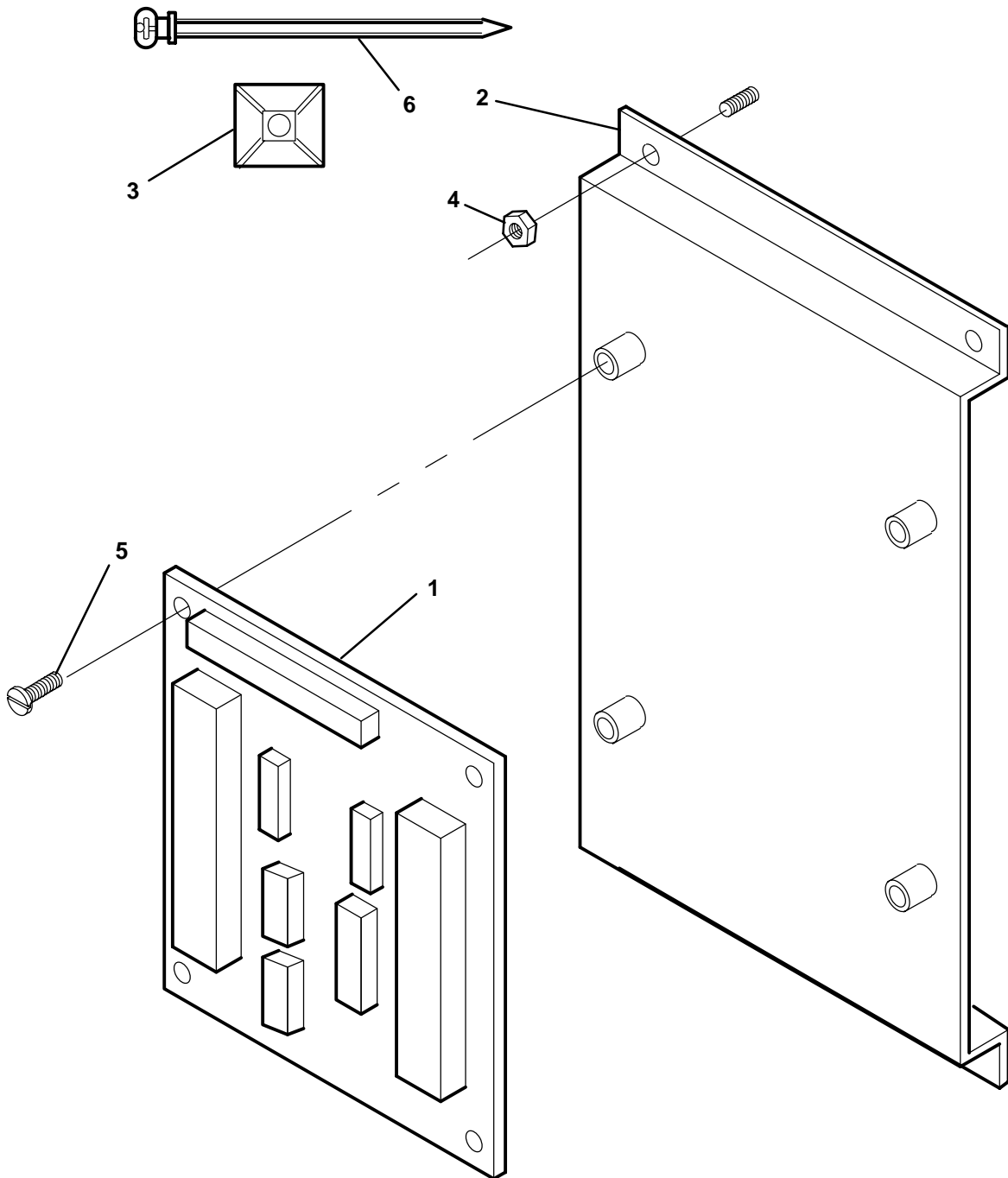
REF NO.	PART NO.	QTY USED	PART DESCRIPTION	REF NO.	PART NO.	QTY USED	PART DESCRIPTION
1			Board, Printed Circuit - 2 to 3 Wire Convertor	8	332-2842-1	1 2	Tag, Terminal (1-10)
	300-3095	1	Spec G & H	9	815-0680	4	Screw, Pan Head - Recessed W/ET (#6-32 x 1)
	300-4054	1	Spec J	10	870-0221	2	Nut, Lock W/ET (#8-32)
2	319-1502	1	Cover, Start - 3 Wire (Includes Label)	11	323-1408	1	Pin and Ribbon Assembly
3			Harness, Wiring - 3 Wire Start	12	332-0942	12	Tie, Cable
	338-2142	1	Units with Cabinet	13	098-5710	1	Label, Block - Terminal
	338-2987	1	Open Construction	14	338-2993	1	Harness, Wiring (Open Construction - Utility to Genset Only)
4	332-2837-09	1	Rail, Terminal	15	332-2842-14	2	Tag, Terminal (31-40) (Open Construction - Utility to Genset Only)
5	332-2836-02	1	Block, Terminal - Sectional				
6	332-2839	2	Bracket, End - Terminal				
7	332-2841	1	Plate, End - Terminal				

# Monitor



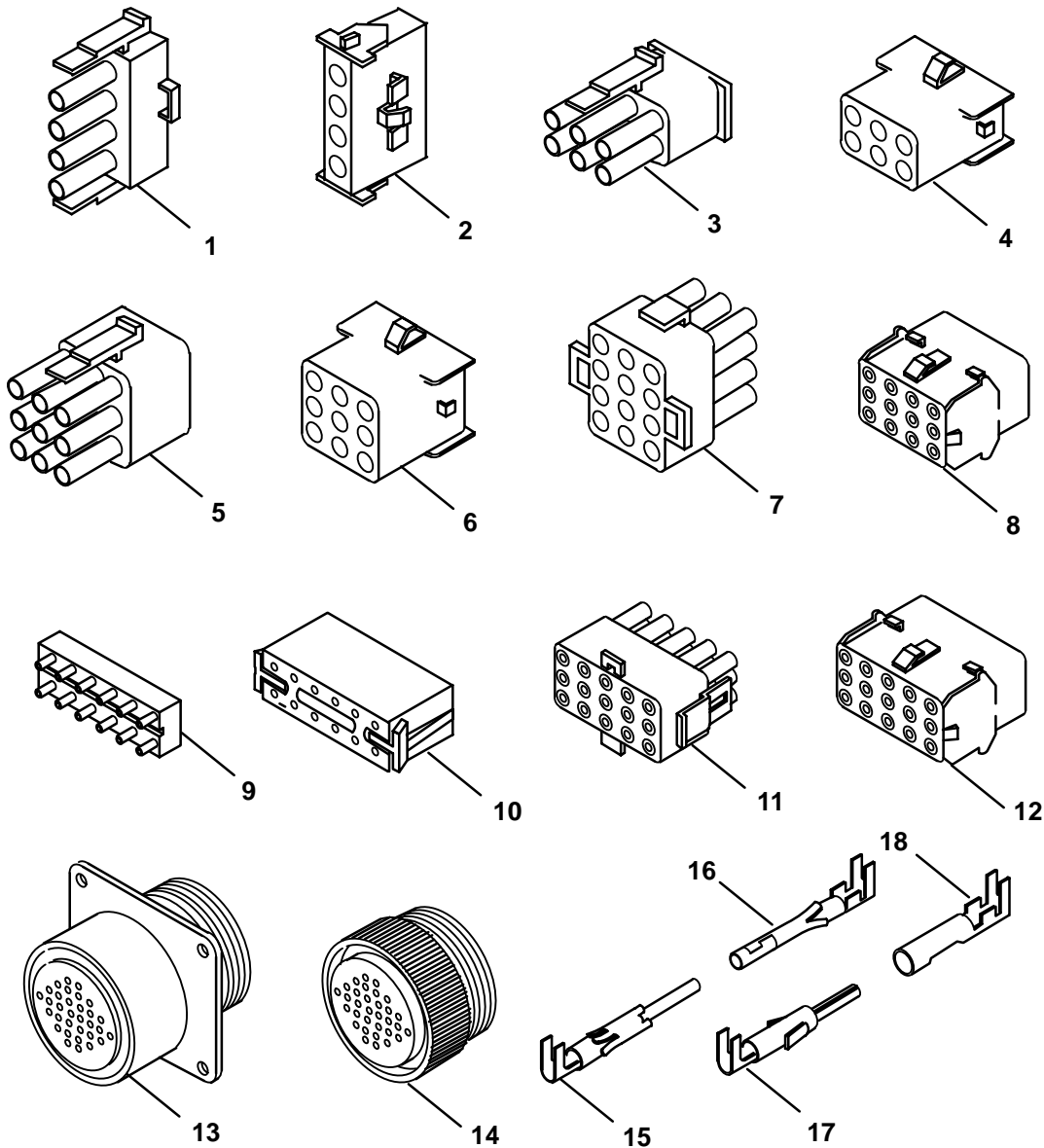
REF NO.	PART NO.	QTY USED	PART DESCRIPTION	REF NO.	PART NO.	QTY USED	PART DESCRIPTION
1	319-0976-00	1	Plate, Relay	3	332-2420	5	Mount, Tie - Cable
2			Relay, Monitor	4	332-0941	15	Tie, Cable
	307-2840-02	1	240 VAC	5	815-0544	6	Screw, Round Head w/IT (#6-32 x 1/2)
	307-2840-03	1	380 VAC	6	332-0801	3	Terminal, Ring (#6)
	307-2840-04	1	480 VAC	7	332-2630	7	Terminal, Spade (#6)
	307-2840-05	1	600 VAC				

# Sequencer



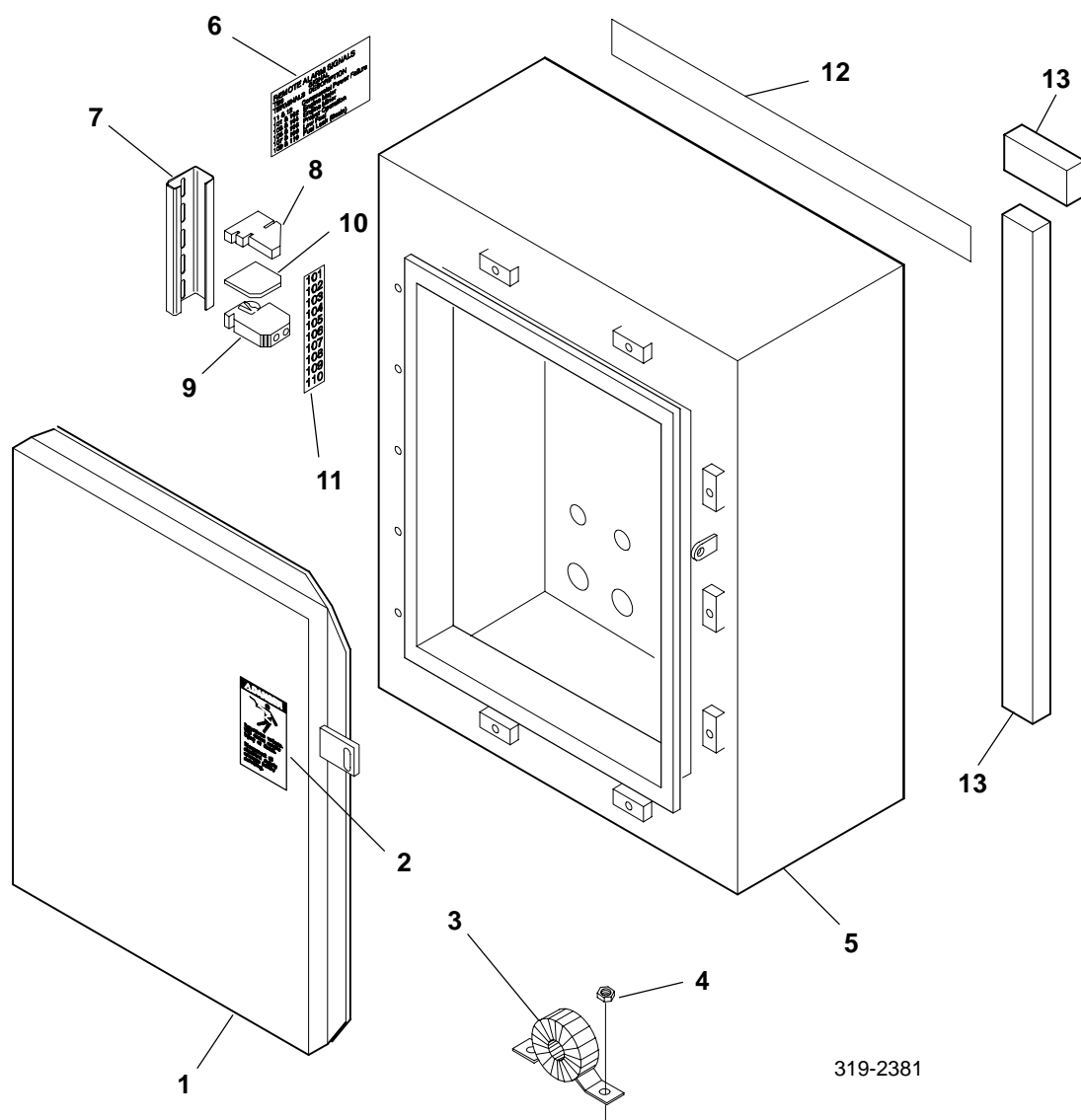
REF NO.	PART NO.	QTY USED	PART DESCRIPTION	REF NO.	PART NO.	QTY USED	PART DESCRIPTION
1	300-3893-01	1	Board, PC - Sequencer	4	870-0131	4	Nut, Hex w/ET (#10-32)
	300-3893-02	1	12 Volt	5	815-0550	4	Screw, Pan Head - Cross Recessed w/ET (#6-32 x 3/8)
2	319-1208	1	24 Volt	6	332-0942	20	Tie, Cable
3	332-2420	10	Plate, Mounting - Sequencer				
			Mount, Tie - Cable				

## Pins and Sockets



REF NO.	PART NO.	QTY USED	PART DESCRIPTION	REF NO.	PART NO.	QTY USED	PART DESCRIPTION
1	323-1292	1	Housing, Pin - 4				
2	323-1333	1	Housing, Socket - 4				
3	323-1317	1	Housing, Pin - 6				
4	323-1318	1	Housing, Socket - 6				
5	323-1291	1	Housing, Pin - 9				
6	323-1325	1	Housing, Socket - 9				
7	323-1314	1	Housing, Pin - 12				
8	323-1315	1	Housing, Socket - 12				
9	323-0983	1	Housing, Pin - 12				
10	323-0984	1	Housing, Socket - 12				
11	323-1252	1	Housing, Pin - 15				
12	323-1253	1	Housing, Socket - 15				
13	323-1207	1	Housing, Pin - 24				
14	323-1206	1	Housing, Socket - 24				
15	323-1194	1	Pin, Contact (Used with Circular				
				16	323-1195	1	Housings) (18-14 AWG) Socket, Contact (Used with Circular Housings) (18-14 AWG)
				17	323-1199	1	Pin, Contact (Used with Rectangular Housings) (20-14 AWG)
				18	323-1200	1	Socket, Contact (Used with Rectangular Housings) (20-14 AWG)
				19			Strain Relief (Not Shown)
					323-1158	1	15 Pin
					323-1316	1	12 Pin
					323-1208	1	9 Pin

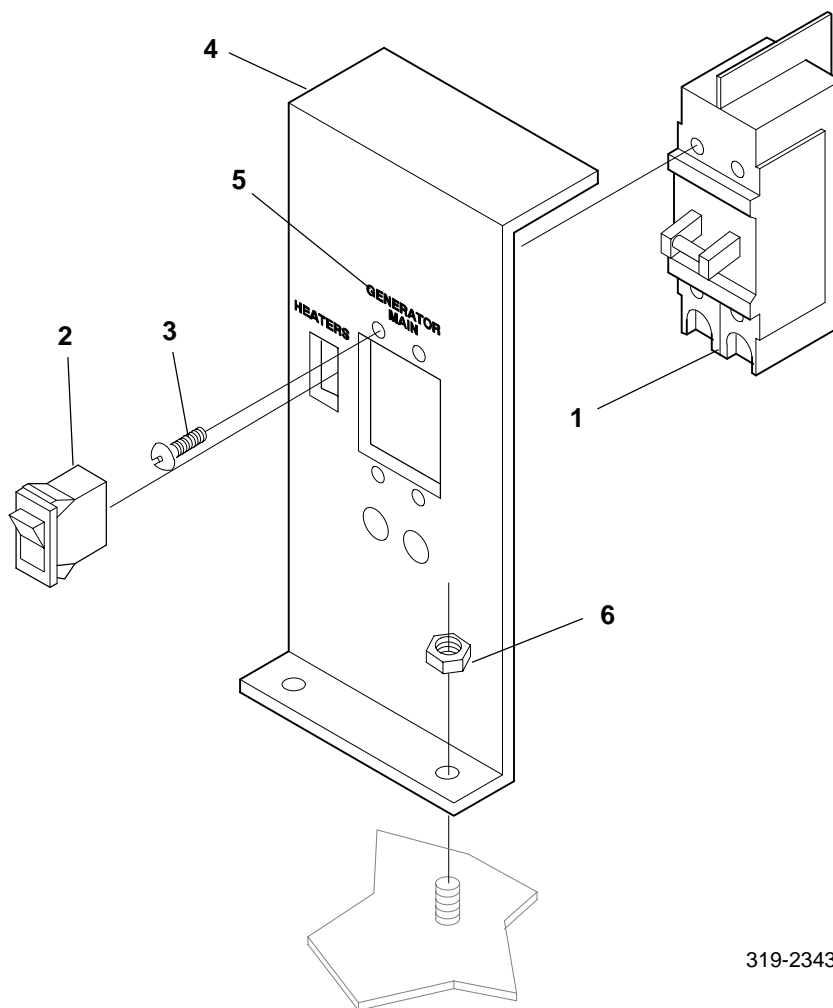
## Cabinet (Set Mounted Switch)



319-2381

REF NO.	PART NO.	QTY USED	PART DESCRIPTION	REF NO.	PART NO.	QTY USED	PART DESCRIPTION
1	319-2428-01	1	Door, Cabinet	8	332-2839	2	Bracket, End
2	098-5387	1	Label, Danger	9	332-2836-02	1	Block, Terminal - Sectional
3	302-1984-04	2	Transformer, Current	10	332-2841	1	Plate, End - Terminal
4	870-0131	4	Nut, Hex - W/ET (#10)	11	332-2842-23	1	Tag, Terminal (101 - 110)
5	319-2483-01	1	Cabinet	12	895-0308	20"	Tape - Polyurethane
6	098-6895	1	Label, Alarm	13	895-0172	7"	Tape, Neoprene
7	332-3356	1	Rail, Terminal				

## Circuit Breakers (Set Mounted Switch)



319-2343

REF NO.	PART NO.	QTY USED	PART DESCRIPTION	REF NO.	PART NO.	QTY USED	PART DESCRIPTION
1	320-1841-39	1	Breaker, Circuit - Main	4	319-2343-01	1	Bracket, Mounting - Circuit Breaker
2	320-1 140	1	Breaker, Circuit - Heaters	5	098-6879	1	Label, Circuit Breakers
3	812-0060	4	Screw, Machine - Round Head (#6-32 x 5/16)	6	870-0232	2	Nut, Hex - W/ET (1/4)

# Numerical Index

<u>Part No.</u>	<u>Page</u>	<u>Part No.</u>	<u>Page</u>	<u>Part No.</u>	<u>Page</u>	<u>Part No.</u>	<u>Page</u>
098-5387,	<b>23, 25, 27, 51</b>	300-3094,	<b>21</b>	302-1805-03,	<b>31</b>	306-3471-06,	<b>11</b>
098-5589,	<b>23, 25</b>	300-3095,	<b>47</b>	302-1808-01,	<b>31</b>	306-3473,	<b>11</b>
098-5661,	<b>21</b>	300-3096,	<b>41</b>	302-1844,	<b>37, 39</b>	306-3474,	<b>13</b>
098-5680,	<b>23</b>	300-31 15-01,	<b>43</b>	302-1984-04,	<b>51</b>	306-3478,	<b>13</b>
098-5681,	<b>23, 25</b>	300-31 15-02,	<b>43</b>	302-1992,	<b>29</b>	306-3479-01,	<b>7</b>
098-5688,	<b>11</b>	300-31 18,	<b>21</b>	304-0015,	<b>35</b>	306-3479-03,	<b>7</b>
098-5692,	<b>31</b>	300-31 19,	<b>21</b>	304-0037,	<b>35</b>	306-3479-04,	<b>7</b>
098-5693,	<b>31</b>	300-3121,	<b>21</b>	304-0139,	<b>35</b>	306-3479-05,	<b>7</b>
098-5694,	<b>31</b>	300-3160,	<b>37</b>	305-0653,	<b>37, 39</b>	306-3479-06,	<b>7</b>
098-5695,	<b>31</b>	300-3244,	<b>39</b>	305-0781,	<b>37, 39</b>	306-3480-01,	<b>7</b>
098-5696,	<b>31</b>	300-3261,	<b>21</b>	306-0264,	<b>16</b>	306-3480-03,	<b>7</b>
098-5697,	<b>31</b>	300-3267,	<b>21</b>	306-0268,	<b>15, 16</b>	306-3480-04,	<b>7</b>
098-5699,	<b>23, 25</b>	300-3893-01,	<b>49</b>	306-0273,	<b>16</b>	306-3480-05,	<b>7</b>
098-5708,	<b>35</b>	300-3893-02,	<b>49</b>	306-0508,	<b>13</b>	306-3480-06,	<b>7</b>
098-5710,	<b>27, 40, 41, 44, 46, 47</b>	300-3953-01,	<b>21</b>	306-1381,	<b>19</b>	306-3481-01,	<b>7</b>
098-5734,	<b>25</b>	300-3998-01,	<b>45</b>	306-1382,	<b>19</b>	306-3481-03,	<b>7</b>
098-5766,	<b>21</b>	300-3998-02,	<b>45</b>	306-1396,	<b>13</b>	306-3481-04,	<b>7</b>
098-5773,	<b>23</b>	300-4054,	<b>47</b>	306-1842,	<b>15</b>	306-3481-05,	<b>7</b>
098-5807,	<b>37</b>	301-6727,	<b>31</b>	306-1996,	<b>19</b>	306-3481-06,	<b>7</b>
098-5808,	<b>37</b>	301-9754,	<b>23</b>	306-2301,	<b>16</b>	306-3482,	<b>13</b>
098-5809,	<b>37</b>	301-9768,	<b>42</b>	306-2340,	<b>11</b>	306-3483,	<b>11</b>
098-5914,	<b>39</b>	301-9774,	<b>23, 25</b>	306-2352,	<b>15, 16</b>	306-3484-01,	<b>11</b>
098-5915,	<b>39</b>	301-9814,	<b>29</b>	306-3391,	<b>17</b>	306-3484-02,	<b>11</b>
098-5916,	<b>39</b>	301-9816,	<b>31</b>	306-3400-02,	<b>11</b>	306-3515,	<b>15</b>
098-5943,	<b>11</b>	301-9816-01,	<b>31</b>	306-3406,	<b>16</b>	306-3516,	<b>11, 13</b>
098-5995,	<b>37</b>	301-9818,	<b>31</b>	306-3407,	<b>16</b>	306-3518-01,	<b>9</b>
098-5996,	<b>37</b>	301-9818-01,	<b>31</b>	306-3408,	<b>16</b>	306-3518-03,	<b>9</b>
098-5997,	<b>39</b>	301-9824,	<b>29</b>	306-3409,	<b>16</b>	306-3518-04,	<b>9</b>
098-5998,	<b>39</b>	301-9928-01,	<b>43</b>	306-3417,	<b>13, 17</b>	306-3518-05,	<b>9</b>
098-6039,	<b>37</b>	301-9928-02,	<b>43</b>	306-3418,	<b>11</b>	306-3518-06,	<b>9</b>
098-6279,	<b>21</b>	301-9932,	<b>41</b>	306-3420,	<b>17</b>	306-3519-01,	<b>9</b>
098-6367,	<b>31</b>	301-9961,	<b>23, 25, 27</b>	306-3464,	<b>29</b>	306-3519-03,	<b>9</b>
098-6561,	<b>32</b>	301-9990,	<b>35</b>	306-3465,	<b>31</b>	306-3519-04,	<b>9</b>
098-6697,	<b>32</b>	301-9992,	<b>35</b>	306-3466,	<b>31</b>	306-3519-05,	<b>9</b>
098-6879,	<b>52</b>	302-0807,	<b>35</b>	306-3467,	<b>31</b>	306-3519-06,	<b>9</b>
098-6895,	<b>51</b>	302-1 175,	<b>29</b>	306-3468-01,	<b>31</b>	306-3520-01,	<b>9</b>
300-2946,	<b>35</b>	302-1692,	<b>29</b>	306-3470,	<b>21</b>	306-3520-03,	<b>9</b>
300-3092,	<b>21</b>	302-1710,	<b>29</b>	306-3471-01,	<b>11</b>	306-3520-04,	<b>9</b>
300-3093-01,	<b>21</b>	302-171 1,	<b>29</b>	306-3471-03,	<b>11</b>	306-3520-05,	<b>9</b>
300-3093-02,	<b>21</b>	302-1761,	<b>31</b>	306-3471-05,	<b>11</b>	306-3520-06,	<b>9</b>

# Numerical Index

<u>Part No.</u>	<u>Page</u>	<u>Part No.</u>	<u>Page</u>	<u>Part No.</u>	<u>Page</u>	<u>Part No.</u>	<u>Page</u>
306-3525,	31	308-0990,	32	319-0009,	25	319-1502,	47
306-3573,	15	308-0994,	29, 32	319-0072,	37, 39	319-2050-01,	27
306-3575,	13	308-1054,	29	319-0073,	37, 39	319-2343-01,	52
306-3576,	15	308-1055,	29	319-0145,	31	319-2428-01,	51
306-3578,	15	309-0393,	17	319-0146,	31	319-2483-01,	51
306-3581-01,	11, 13	312-0203,	11	319-0155-01,	31	320-0606,	11
306-3581-02,	11, 13	312-0204,	11	319-0155-02,	31	320-0608,	11
306-3591-01,	11	312-0209,	11	319-0155-03,	31	320-0609,	11
306-3592-01,	11, 13	312-0236,	11	319-0155-04,	31	320-1 140,	52
306-3592-02,	11, 13	315-0377,	31	319-0161,	29	320-1841-39,	52
306-4078,	16	315-0621-01,	35	319-0163-03,	31	321-0104,	37, 39
306-4079-01,	13, 16	315-0621-02,	35	319-0163-04,	31	321-0127,	37, 39
306-4079-02,	13, 16	315-0621-03,	35	319-0169,	29	321-0153,	35
306-4080-01,	13, 16	315-0621-04,	35	319-0369-01,	31	321-0174,	41
306-4080-02,	13, 16	315-0655-01,	23	319-0369-02,	31	321-0175,	35
307-2575,	23	315-0655-02,	23	319-0369-03,	31	321-0236,	37
307-2577,	42	315-0655-03,	23	319-0369-04,	31	321-0237,	37, 39
307-2578,	32, 33	315-0655-04,	25	319-0369-05,	31	321-0304-01,	37
307-2582,	33	315-0662,	25, 27	319-0369-06,	31	321-0304-02,	37, 39
307-2583,	33	315-0665,	37	319-0370,	29	321-0304-03,	37, 39
307-2591,	43	315-0667,	37	319-0370-01,	29	321-0304-04,	37, 39
307-2597,	25	315-0669,	37	319-0371-01,	29	321-0304-05,	37, 39
307-2600-01,	25	315-0671,	37	319-0375-03,	31	321-0304-06,	39
307-2648,	23, 25	315-0673,	37	319-0375-04,	31	322-0133,	27
307-2840-02,	48	315-0675,	37	319-0375-05,	31	322-0137,	29
307-2840-03,	48	315-0677,	37	319-0375-06,	31	322-0168,	29
307-2840-04,	48	315-0679,	37	319-0376,	29	322-0170,	29
307-2840-05,	48	315-0701,	39	319-0976-00,	48	322-0387-02,	29
308-0406,	23, 25	315-0703,	39	319-1 100,	29	322-0392-01,	27
308-0848,	29	315-0705,	39	319-1 100-01,	29	322-0392-02,	27
308-0849,	29, 32	315-0707,	39	319-1 101,	29	322-0392-04,	27
308-0850,	29, 32	315-0709,	39	319-1 102,	29	322-0392-06,	27
308-0851,	32	315-071 1,	39	319-1 102-01,	29	323-0983,	50
308-0854,	29	315-0713,	39	319-1 103,	29	323-0984,	50
308-0886,	29, 32	315-0715,	39	319-1 143,	29	323-1 158,	50
308-0904,	31	315-0723-05,	27	319-1 144,	29	323-1 194,	50
308-0905,	31	315-0723-06,	27	319-1 146,	31	323-1 195,	50
308-0955,	32	315-0723-07,	27	319-1 146-01,	31	323-1 199,	50
308-0957,	32	315-0723-08,	27	319-1 148,	31	323-1200,	50
308-0988,	29, 32	315-0731,	31	319-1 148-01,	31	323-1206,	50
308-0989,	29, 32	319-0002,	23	319-1208,	49	323-1207,	50



# Numerical Index

<u>Part No.</u>	<u>Page</u>	<u>Part No.</u>	<u>Page</u>	<u>Part No.</u>	<u>Page</u>	<u>Part No.</u>	<u>Page</u>
323-1208,	<b>50</b>	332-2841,	<b>27, 40, 41, 44, 46, 47, 51</b>	338-2204-06,	<b>31</b>	526-0003,	<b>16, 33</b>
323-1252,	<b>50</b>			338-2205-04,	<b>31</b>	526-0008,	<b>11</b>
323-1253,	<b>50</b>	332-2842-1	<b>1, 47</b>	338-2205-05,	<b>31</b>	526-0018,	<b>11, 13</b>
323-1291,	<b>50</b>	332-2842-12,	<b>41</b>	338-2205-06,	<b>31</b>	526-0045,	<b>13</b>
323-1292,	<b>50</b>	332-2842-13,	<b>41, 46</b>	338-2223,	<b>37, 39</b>	526-0048,	<b>23, 25</b>
323-1314,	<b>50</b>	332-2842-14,	<b>47</b>	338-2230,	<b>23</b>	526-0077,	<b>15</b>
323-1315,	<b>50</b>	332-2842-15,	<b>40</b>	338-2232,	<b>25</b>	532-0374,	<b>32</b>
323-1316,	<b>50</b>	332-2842-16,	<b>27, 44</b>	338-2233,	<b>25</b>	539-1344,	<b>45</b>
323-1317,	<b>50</b>	332-2842-23,	<b>51</b>	338-2234,	<b>23</b>	800-0003,	<b>13</b>
323-1318,	<b>50</b>	332-2877,	<b>27, 31</b>	338-2235,	<b>23</b>	800-0006,	<b>45</b>
323-1325,	<b>50</b>	332-2878,	<b>33</b>	338-2236,	<b>23</b>	800-0008,	<b>13</b>
323-1333,	<b>50</b>	332-2879-02,	<b>33</b>	338-2340,	<b>23</b>	800-0021,	<b>11</b>
323-1387,	<b>21</b>	332-2884,	<b>23, 25</b>	338-2346,	<b>25</b>	800-0026,	<b>15</b>
323-1408,	<b>47</b>	332-2903,	<b>11</b>	338-2349,	<b>40</b>	800-0027,	<b>13</b>
323-1409,	<b>41</b>	332-3038,	<b>13</b>	338-2949,	<b>35, 37, 39</b>	800-0030,	<b>13</b>
332-0801,	<b>48</b>	332-3356,	<b>51</b>	338-2957,	<b>27</b>	800-0068,	<b>11</b>
332-0802,	<b>32, 33</b>	334-1842,	<b>33</b>	338-2958,	<b>27</b>	810-0085,	<b>23, 25</b>
332-0941,	<b>32, 40, 48</b>	337-2362,	<b>15</b>	338-2959,	<b>27</b>	812-0060,	<b>52</b>
332-0942,	<b>11, 32, 35, 37, 39, 40, 41, 42, 43, 44, 45, 47, 49</b>	337-2363,	<b>15</b>	338-2960,	<b>27</b>	812-0082,	<b>16</b>
		337-2365,	<b>13</b>	338-2961,	<b>27</b>	813-01 12,	<b>35</b>
		337-2366,	<b>15</b>	338-2962,	<b>27</b>	813-01 16,	<b>35</b>
332-1348,	<b>31</b>	337-2403,	<b>15</b>	338-2981,	<b>27</b>	815-0029,	<b>11</b>
332-1480,	<b>13</b>	337-2404,	<b>15</b>	338-2982,	<b>27</b>	815-0163,	<b>16</b>
332-1877,	<b>21</b>	337-2410-01,	<b>15</b>	338-2983,	<b>35, 37, 39</b>	815-0261,	<b>15</b>
332-1917,	<b>21</b>	337-2410-02,	<b>15</b>	338-2987,	<b>47</b>	815-0446,	<b>13, 27, 32</b>
332-2230,	<b>33, 44, 45</b>	337-2410-03,	<b>15</b>	338-2993,	<b>47</b>	815-0449,	<b>16</b>
332-2420,	<b>32, 35, 37, 39, 48, 49</b>	338-2039,	<b>15</b>	406-0519,	<b>31</b>	815-0496,	<b>13</b>
332-2463,	<b>13</b>	338-2063,	<b>29</b>	406-0610-02,	<b>31</b>	815-0527,	<b>15</b>
332-2542,	<b>15</b>	338-2065,	<b>29</b>	406-0610-03,	<b>31</b>	815-0538,	<b>25, 27</b>
332-2605,	<b>11</b>	338-2133,	<b>29</b>	406-0610-04,	<b>31</b>	815-0539,	<b>23</b>
332-2630,	<b>48</b>	338-2134,	<b>29</b>	406-0613,	<b>29</b>	815-0544,	<b>21, 23, 25, 27, 48</b>
332-2744-05,	<b>15</b>	338-2135,	<b>29</b>	406-0649,	<b>29</b>	815-0549,	<b>35</b>
332-2777,	<b>35, 37, 39</b>	338-2136,	<b>29</b>	508-0231,	<b>31</b>	815-0550,	<b>25, 35, 37, 39, 42, 43, 49</b>
332-2832,	<b>11</b>	338-2139,	<b>43</b>	508-0233,	<b>31</b>	815-0555,	<b>23</b>
332-2836-01,	<b>44, 46</b>	338-2140,	<b>41</b>	508-1045,	<b>31</b>	815-0651,	<b>11</b>
332-2836-02,	<b>27, 40, 41, 47, 51</b>	338-2141,	<b>41</b>	517-0137,	<b>29</b>	815-0652,	<b>11, 13</b>
332-2837-07,	<b>27</b>	338-2142,	<b>47</b>	517-0256,	<b>21</b>	815-0656,	<b>15</b>
332-2837-09,	<b>40, 41, 44, 46, 47</b>	338-2149,	<b>35</b>	517-0266,	<b>31</b>	815-0667,	<b>13</b>
332-2839,	<b>27, 40, 41, 44, 46, 47, 51</b>	338-2161,	<b>35, 37, 39</b>	518-0404,	<b>31</b>	315-0680,	<b>43</b>
		338-2204-04,	<b>31</b>	525-0305,	<b>31</b>		
		338-2204-05,	<b>31</b>				

# Numerical Index

<u>Part No.</u>	<u>Page</u>	<u>Part No.</u>	<u>Page</u>	<u>Part No.</u>	<u>Page</u>	<u>Part No.</u>	<u>Page</u>
815-0680,	<b>41, 47</b>	850-0045,	<b>13</b>	870-0131,	<b>11, 23, 25, 27, 35,</b>	870-0439,	<b>29</b>
815-0686,	<b>17</b>	851-0027,	<b>15</b>		<b>37, 39, 42, 49, 51</b>	878-0032,	<b>27</b>
815-0932,	<b>19</b>	851-0028,	<b>13</b>	870-0201,	<b>17</b>	895-0172,	<b>51</b>
815-0933,	<b>19</b>	853-0005,	<b>33</b>	870-0221,	<b>23, 25, 37, 39,</b>	895-0293-03,	<b>31</b>
821-0004,	<b>31</b>	853-0016,	<b>15</b>		<b>40, 41, 44, 46, 47</b>	895-0293-04,	<b>31</b>
821-0040,	<b>23, 25, 35, 37, 39</b>	855-0008,	<b>16</b>	870-0232,	<b>52</b>	895-0293-05,	<b>31</b>
822-2048,	<b>37, 39</b>	856-0002,	<b>23, 25</b>	870-0235,	<b>19</b>	895-0293-06,	<b>31</b>
822-2049,	<b>37, 39</b>	860-0008,	<b>23, 25, 33</b>	870-0298,	<b>19</b>	895-0308,	<b>51</b>
850-0025,	<b>16</b>	862-0001,	<b>13, 45</b>	870-0320,	<b>11</b>	898-0778,	<b>31</b>
850-0040,	<b>11, 13, 45</b>	862-0015,	<b>13</b>	870-0386,	<b>31</b>	098-4339,	<b>37, 39</b>
				870-0394,	<b>15</b>		

**Cummins Power Generation**  
1400 73rd Avenue N.E.  
Minneapolis, MN 55432  
1-800-888-6626  
763-574-5000 International Use  
Fax: 763-574-8087

Cummins is a registered trademark of Cummins Inc.



Redistribution or publication of this document by any means, is strictly prohibited.