



Parts Manual

Transfer Switch

300/400/600 Amps

OTIII (Spec G-K)

MODEL IDENTIFICATION

To avoid errors or delay in filling your parts order, always give the MODEL, SPEC NO. and SERIAL NO. from the Cummins Power Generation nameplate.

For handy reference, insert your nameplate information in the spaces below.

MODEL AND SPEC NO.

SERIAL NO.

DIGITAL CONTROL SOFTWARE VERSION
AND DATE (IF APPLICABLE)

SAFETY PRECAUTIONS

The following symbols are used in Cummins Power Generation manuals to alert users to the potentially dangerous conditions relating to maintenance of equipment and replacement of parts. Please read and observe.

▲ DANGER

This symbol warns of immediate hazards which will result in severe personal injury or death.

▲ WARNING

This symbol refers to a hazard or unsafe practice which can result in severe personal injury or death.

▲ CAUTION

This symbol refers to a hazard or unsafe practice which can result in severe personal injury or product or property damage.

PRODUCT SAFETY PRECAUTIONS

▲ WARNING

*Service and repair of Cummins Power Generation equipment must be performed by trained, experienced personnel only. Improper service or repair may result in property damage, severe personal injury or death. Do not use this catalog as a guide to servicing your equipment. Read and follow the **IMPORTANT SAFETY INSTRUCTIONS** in the Service Manual appropriate for the equipment you are working on.*

▲ WARNING

*Contact with **USED ENGINE OILS** has been identified by a United States federal agency and some USA state agencies as causing **CANCER** or **REPRODUCTIVE TOXICITY**. When checking or changing engine oils take all necessary precautions not to ingest, breathe the fumes or contact the used oil.*

▲ WARNING

*Contact with **ASBESTOS** has been identified by a United States federal agency and some USA state agencies as causing **CANCER** or **REPRODUCTIVE TOXICITY**. When handling engine gaskets take all necessary precautions not to ingest, breathe or contact the dust from the gaskets! Use adequate ventilation and wear protective gloves, masks and clothing!*

▲ WARNING

*Contact with **BENZINE** and **LEAD**, found in gasoline, fuel additives and solvents has been identified by a United States federal agency and some USA state agencies as causing **CANCER** or **REPRODUCTIVE TOXICITY**. When checking, draining or adding gasoline and fuel additives or using solvents take all necessary precautions not to ingest, breathe the fumes or contact the liquids. Use adequate ventilation and wear protective gloves, masks and protective clothing!*

Introduction

This catalog applies to the OTIII Spec G – K Transfer Switches as indicated below. Each illustrated part is identified by a reference number corresponding to the same reference number in the parts list for that group. Parts illustrations are typical. Using the model and spec number from the switch box nameplate, select the parts that apply to your automatic transfer switch. Unless otherwise noted in the parts description, parts are interchangeable between models.

Model Selection Table

OT C U 400 A 00000 G

Transfer Switch Series

OT = 3 Pole
ON = 4 Pole

Application Code

A = Non-Automatic
B = Utility to Utility
C = Utility to Generator Set (2 wire)
D = Generator Set to Generator Set
E = Generator Set to Generator Set (3 wire)
F = Remote Control (Slave)
G = Remote Control (LRS)
H = Utility to Generator Set

Standards Code

U = UL Listed
C = CSA Approved
N = No Approval Required

Ampere Rating

300, 400, 600

Specification Letter

Designates Major Manufacturing Changes

Specification Number

Factory code designating a combination of accessories

Voltage & Frequency Code

A = 120 V 60 Hz 1 Ph 2 Wire
B = 120/240 V 60 Hz 1 Ph 3 Wire
C = 120/208 V 60 Hz 3 Ph 4 Wire
D = 120/240 V 60 Hz 3 Ph 4 Wire
E = 240/480 V 60 Hz 3 Ph 4 Wire
F = 220/380 V 60 Hz 3 Ph 4 Wire
G = 277/480 V 60 Hz 3 Ph 4 Wire
H = 347/600 V 60 Hz 3 Ph 4 Wire
J = 120/240 V 60 Hz 1 Ph 4 Wire
K = 416-440,480 V 60 Hz 3 Ph 4 W
M = 110/220 V 50 Hz 1 Ph 4 Wire
N = 120/240 V 50 Hz 1 Ph 3 Wire
P = 120/240 V 50 Hz 1 Ph 4 Wire
S = 120/240 V 50 Hz 3 Ph 4 Wire
T = 220/380 V 50 Hz 3 Ph 4 Wire
U = 240 V 50 Hz 1 Ph 2 Wire
Y = 380,400,416 V 50 Hz 3 Ph 4 W
R = Special

Feature Options can be determined by reading them off the nameplate or by accessing the following screen through the Distributor On-Line computer system. Note that the first digit typed on this screen is a code number corresponding to an individual Cummins Power Generation product (1=Engines, 2=Gensets, 5=Generator Ends, 6=LT's, 7=OT's/BT's) and that the spec number is always kept to the right and zero filled if the spec number is less than five digits.

MAD2
ITEM NO: 702835

.....

A015 260 Amps Continuous
A029 4 Pole Switch for Program
A035 Utility to Genset
A042 Three Phase (3 or 4 Wire)
A044 60 Hz Frequency
A046 UL Listed

Index

A

Actuator, Linear, **14**
Adhesive, **36**
Arm, Interlock, **18**

B

Bar, Interlock, **18**
Bar, Neutral, **24**
Barrier, **14**
Barrier, Base – Mounting, **18**
Barrier, Lug, **16**
Barrier, Switch, **22**
Base, Mounting, **18**
Block & Contact Assembly, **18**
Block & Crossbar Assembly, **18 , 20 , 21**
Block, Auxiliary, **32**
Block, Component, **21**
Block, Contact, **34 , 37**
Block, Terminal, **16 , 28 , 32**
Block, Terminal – Sectional, **47 , 49 , 52 , 54**
Board, PC – Battery Charger, **42 , 44 , 46**
Board, PC – Elevator Signal, **49**
Board, PC – Mother, **26**
Board, PC – Programmed Transition, **51**
Board, PC – Sequencer, **40**
Board, PC – Time Delay, **26**
Board, PC – Transformer, **26**
Board, PC – Voltage Sensor, **26**
Boot, Insulator, **21**
Bracket, **28 , 32**
Bracket, Door, **36**
Bracket, End, **38**
Bracket, End – Terminal, **47 , 49 , 52 , 54**
Bracket, Support, **18**
Bracket, Switch – Auxiliary, **22**
Bracket, Terminal, **16**
Breaker, Circuit, **14**
Bumper, **36**

C

Cabinet, Control, **34**
Capacitor, **16**
Chute, Arc, **18 , 21**
Clip. Pin, **36**
Clock, Exerciser, **50**
Contactor, Interlocking, **32**
Cover, Transition – Programmed, **51**
Cover, Board – PC, **26**
Cover, Charger – Battery, **42 , 44 , 46**
Cover, Chute – Arc, **21**
Cover, Contact, **14**
Cover, Lug, **16**
Cover, Meter, **36**
Cover, Signal – Elevator, **49**
Crossbar Assembly, **21**

D

Door, Cabinet, **34**

E

Edging, **36**

F

Fuse, **42 , 44 , 46**

G

Gasket, Cover – Meter, **36**
Gasket, Door, **36**
Guide, Rod, **36**

H

Handle Assembly, **20**
Handle Assembly – Actuator, **23**
Handle, Keyed, **34**

Index

Handle, Switch, **23**
Harness & Current Transformer, **34**
Harness, Extension – 48", **32**
Harness, Wiring – Battery Charger, **42 , 44 , 46**
Harness, Wiring – Battery Charger Alarm, **47**
Harness, Wiring – Elevator Signal, **49**
Harness, Wiring – Main, **28 , 32**
Harness, Wiring – Meter, **34**
Harness, Wiring – Programmed Transition, **51**
Harness, Wiring – Switch Assembly, **20**
Hinge, Door, **36**
Holder, Fuse, **42 , 44 , 46**
Housing, Pin, **55**
Housing, Socket, **55**

K

Key, **37**
Key, Replacement, **34**

L

Label, Block – Terminal, **49 , 52 , 54**
Label, Operation, **37**
Label, Switch, **37**
Latch, Cam, **36**
Light, Indicating, **34**
Lock, Trigger, **21**
Lug, Solderless, **20 , 24**

M

Marker, Adhesive – Relay, **37**
Meter, Ampere, **34**
Meter, Ampere – DC, **42 , 44 , 46**
Meter, Frequency, **34**
Meter, Volt – AC, **34**
Module, Alarm, **53**
Mount, Tie – Cable, **42 , 44 , 46**

P

Paint, **36**

Pin and Ribbon Assembly, **49**
Pin Assembly, Ribbon, **26**
Pin, Contact, **55**
Pin, Hinge, **36**
Plate, **32**
Plate, Clock – Exerciser, **50**
Plate, Door, **28**
Plate, End – Terminal, **47 , 49 , 52 , 54**
Plate, Mounting – Sequencer, **40**
Plate, Relay, **39**
Plug, Hole, **26 , 34 , 36**
Plug, Keying, **26**

R

Rail, Block – Terminal, **47**
Rail, Terminal, **38 , 49 , 52 , 54**
Rectifier, Bridge, **44 , 46**
Rectifier, SCR, **44 , 46**
Relay, 24 VAC, **30 , 32**
Relay, 24 VDC, **28**
Relay, Control, **37 , 38**
Relay, Monitor, **39**
Relay, Programmed Transition, **51**
Resistor, Fixed, **42**
Rod, Actuator, **14**
Rod-End,, **14**
Roller, Rod, **36**
Runner, Arc, **21**

S

Sequencer, **40**
Shield, **30 , 32 , 36**
Shield, Meter, **34 , 36**
Sleeving, Insulation, **36**
Socket, Contact, **55**
Spacer, Bar – Neutral, **36**
Splice, Inline, **53**
Spring, Conical, **36**
Spring, Disk – Conical, **24**
Standoff, Insulator, **20 , 24**

Index

Strain Relief, **55**
Strap, Jumper, **18**
Strap, Line, **21**
Strap, Load, **20**
Strap, Normal & Emergency, **20**
Support, **18 , 21**
Switch Assembly – Auxiliary, **22**
Switch Assembly, Auxiliary, **18**
Switch Assembly, Transfer, **8 , 10 , 12 , 14 , 18**
Switch, Selector, **34 , 36 , 37**
Switch, Snap Action, **22**
Switch, Toggle, **28 , 32**

T

Tag, Terminal, **49 , 52 , 54**

Template, Module – Alarm, **53**
Terminal, Jumper, **14**
Terminal, Ring, **38**
Terminal, Spade, **42 , 44 , 46**
Terminal, Tap – Plier, **38**
Tie, Cable, **37 , 42 , 44 , 46 , 49 , 50 , 51**
Transformer, **36**
Transformer (Primary Voltage), **42 , 44 , 46**
Transformer, Power, **30 , 32**
Transition, Programmed, **51**

W

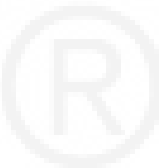
Washer, Centering, **42**
Washer, Conical, **18 , 20**
Wrapper, Charger – Battery, **42 , 44 , 46**



Feature/Options

Beginning with Spec J, feature option codes applicable to the individual unit are listed on the Transfer Switch Nameplate. The following describes these codes;

A028	Poles – 3	L004	Auxiliary Relay – Emergency Source
A029	Poles – 4	L005	Auxiliary Relay – Normal Source
A035	Application – Utility to Genset	L101	Auxiliary Relay – 24 VDC Coil
A036	Application – Utility to Utility	L102	Auxiliary Relay – Emergency Position
A037	Application – Genset to Genset	L103	Auxiliary Relay – Normal Position
A038	Application – Non–Automatic/Remote	L104	Auxiliary Relay – Genset Start
A041	System – 1 Phase 2 or 3 Wire	L201	Auxiliary Relay – 12 VDC Coil
A042	System – 3 Phase 3 or 4 Wire	L202	Auxiliary Relay – Emergency Position
A044	Frequency – 60 Hertz	L203	Auxiliary Relay – Normal Position
A045	Frequency – 50 Hertz	L204	Auxiliary Relay – Genset Start
A046	Listing – UL		
A047	Certification – CSA	M001	Module – Signal
A048	Listing – Not Applicable	M003	Terminal Block – 30 Place
		M004	Monitor – Phase/Sequence Balance
B001	Cabinet – Type 1	M006	Sequencer – Standby Set Start 12 Volt
B002	Cabinet – Type 3R	M007	Load Shed – From Emergency
B003	Cabinet – Type 4	M008	Module – Alarm
B004	Construction – Open	M010	Sequencer – Standby Set Start 24 Volt
C015	Start Time Delay – 90 Seconds	N001	Switch – Auto/Manual
C016	Control – Over Voltage & Over/Under Hertz Source 2	N002	Terminal Block – Battery Charger Alarm
C017	Control – Over Voltage & Over/Under Hertz Source 1	N005	Terminal Block – Source 1/2 Remote Signal
		N009	Power Connect – Bus Stubs
D001	Meters – None	N013	Harness, Extension – 4 Feet
D002	Meters – Door Mounted		
J001	Clock – 7 Day Exerciser	R020	Voltage – 120
J021	Programmed Transition 0.5 to 7.5 Second Delay	R021	Voltage – 208
		R022	Voltage – 220
J022	Programmed Transition 1 to 60 Second Delay	R023	Voltage – 240
		R024	Voltage – 380
		R025	Voltage – 416
		R026	Voltage – 480
		R027	Voltage – 600
K001	Battery Charger – 2 Amp, 12/24 Volt		
K002	Battery Charger – 10 Amp, 12 Volt	S052	Current Rating – 300 Amps
K003	Battery Charger – 10 Amp, 24 Volt	S053	Current Rating – 400 Amps
		S054	Current Rating – 600 Amps
L001	Auxiliary Relay – 24 VAC Coil		
L002	Auxiliary Relay – Emergency Position		
L003	Auxiliary Relay – Normal Position		



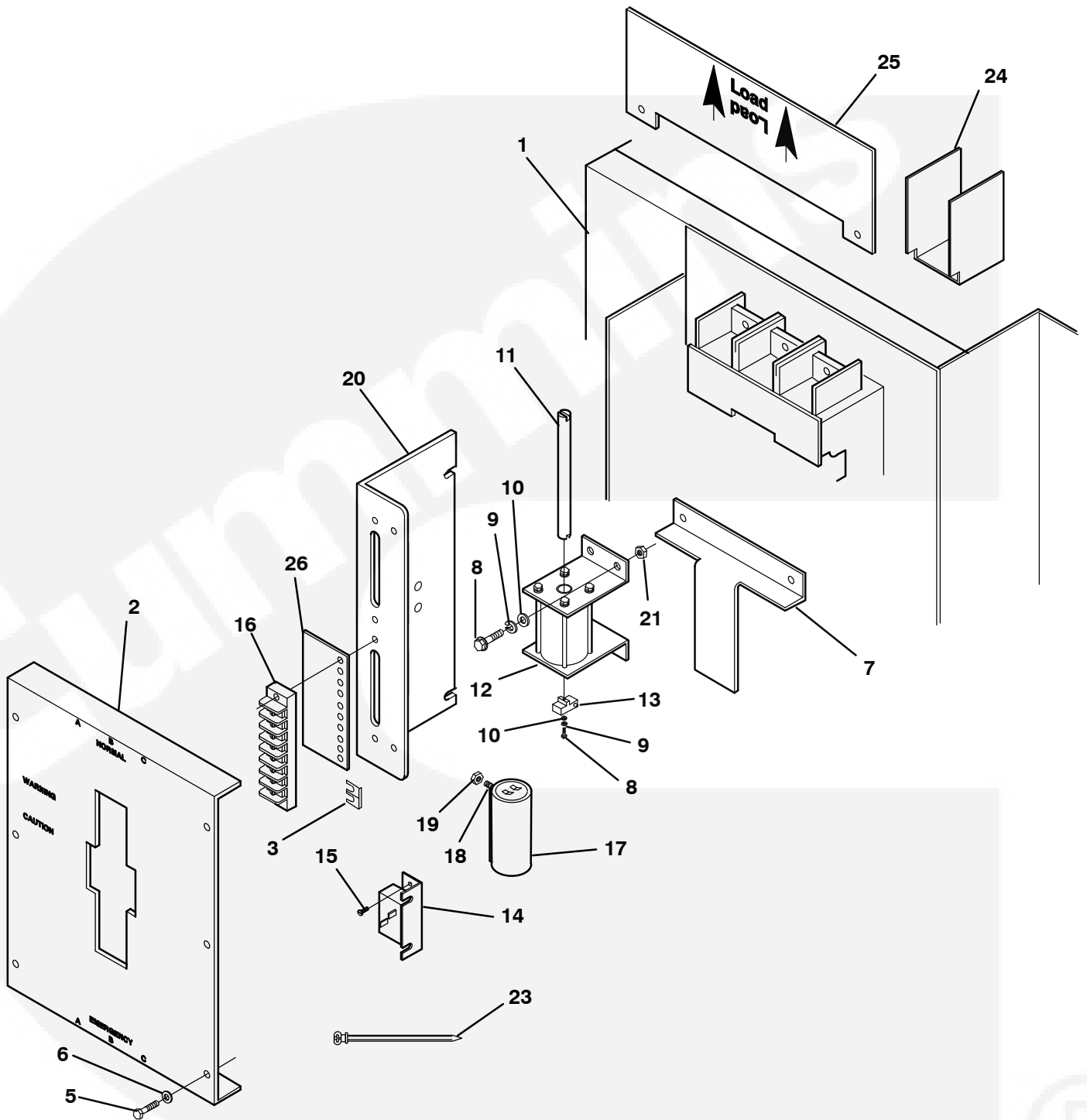
Abbreviations

Some of the following abbreviations may be used throughout this Parts Catalog;

Alternating Current	AC	Meter	M(me-
Ampere	Amp	ter number)	mm
As Required	A/R	Millimeter	NFS
Automatic Voltage Regulator	AVR	Not for sale	NPT
Direct Current	DC	Nominal Pipe Thread	OD
External Tooth	ET	Outside Diameter	Ph
External-Internal Tooth	EIT	Phase	PC
Inside Diameter	ID	Printed Circuit	RT
Internal Tooth	IT	Right	Spec
Kilowatt	kW	Specification	UNC
Liquid Petroleum Gas	LPG	Union National Coarse	UNF
Left	LT	Union National Fine	VAC
		Volts Alternating Current	VDC
		Volts Direct Current	W/(ET
		With	
		, IT, or EIT)	



Transfer Switch Assembly

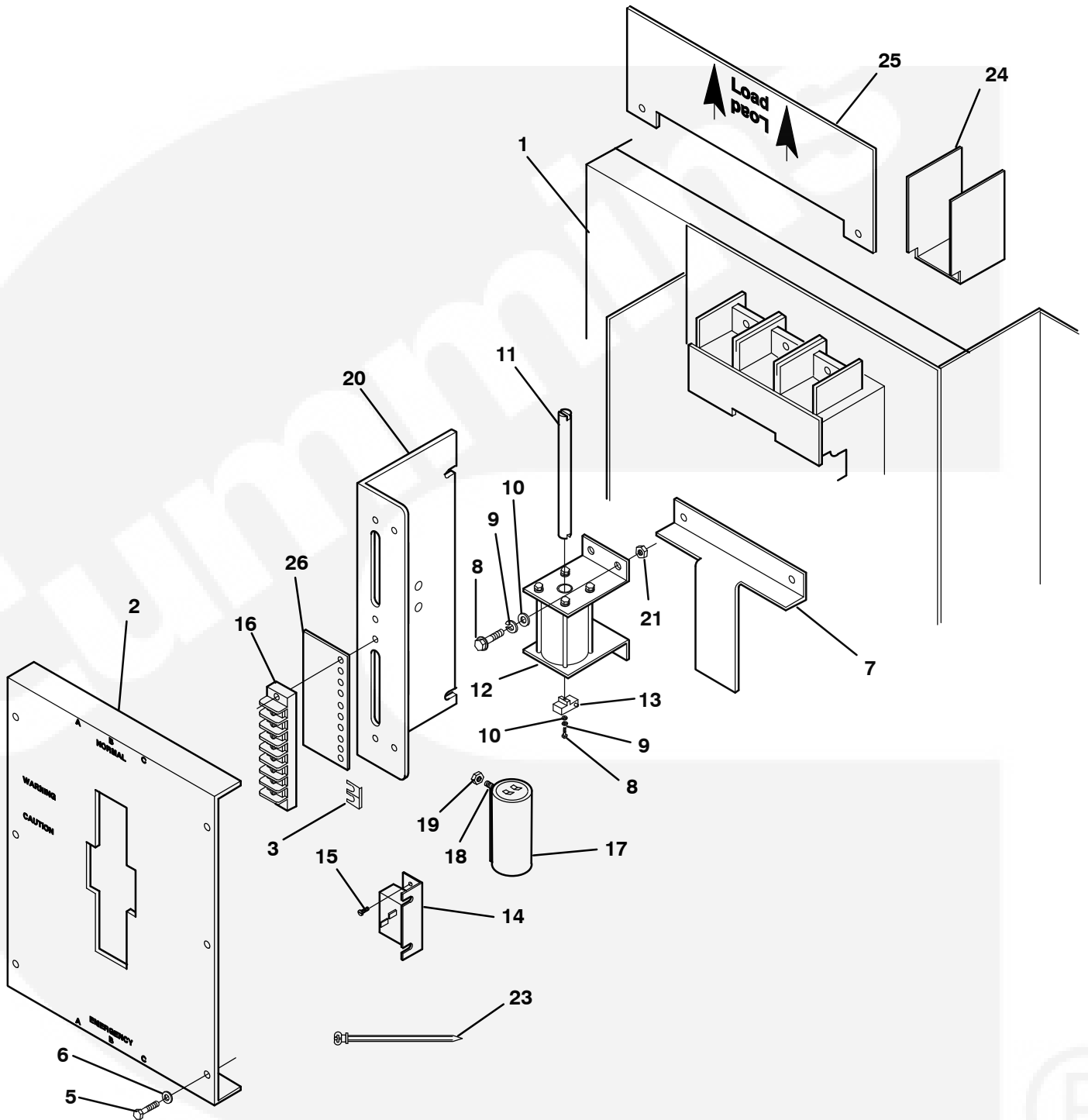


Transfer Switch Assembly

REF NO.	PART NO.	QTY USED	PART DESCRIPTION	REF NO.	PART NO.	QTY USED	PART DESCRIPTION
			Transfer Switch Assembly – Front Connect (Includes Parts Marked *)				400 Amp
			300 Amp				3 Pole
			60 Hertz				60 Hertz
			120 Volt, 1 Ph., 2 Wire	306-3489-01	1		120 Volt, 1 Ph., 2 Wire
			120/240 Volt, 1 Ph., 3 Wire	306-3489-04	1		120/240 Volt, 1 Ph., 3 Wire
306-3488-01	1		120 Volt, 1 Ph., 2 Wire	306-3489-03	1		120/208 Volt, 3 Ph., 4 Wire
306-3488-04	1		120/240 Volt, 1 Ph., 3 Wire	306-3489-04	1		120/240 Volt, 3 Ph., 4 Wire
306-3488-03	1		120/208 Volt, 3 Ph., 4 Wire	306-3489-07	1		240/480 Volt, 3 Ph., 4 Wire
306-3488-04	1		120/240 Volt, 3 Ph., 4 Wire	306-3489-06	1		220/380 Volt, 3 Ph., 4 Wire
306-3488-07	1		240/480 Volt, 3 Ph., 4 Wire	306-3489-07	1		277/480 Volt, 3 Ph., 4 Wire
306-3488-06	1		220/380 Volt, 3 Ph., 4 Wire	306-3489-05	1		347/600 Volt, 3 Ph., 4 Wire
306-3488-07	1		277/480 Volt, 3 Ph., 4 Wire				50 Hertz
306-3488-05	1		347/600 Volt, 3 Ph., 4 Wire	306-3489-04	1		220 Volt, 1 Ph., 2 Wire
			50 Hertz	306-3489-04	1		115/200 Volt, 1 Ph., 3 Wire
306-3488-04	1		220 Volt, 1 Ph., 2 Wire	306-3489-04	1		220/380 Volt, 3 Ph., 4 Wire
306-3488-04	1		115/200 Volt, 1 Ph., 3 Wire	306-3489-03	1		120/208 Volt, 3 Ph., 4 Wire
306-3488-04	1		220/380 Volt, 3 Ph., 4 Wire	306-3489-06	1		240/416 Volt, 3 Ph., 4 Wire
306-3488-03	1		120/208 Volt, 3 Ph., 4 Wire				4 Pole
306-3488-06	1		240/416 Volt, 3 Ph., 4 Wire				60 Hertz
			4 Pole	306-3492-01	1		120 Volt, 1 Ph., 2 Wire
			60 Hertz	306-3492-04	1		120/240 Volt, 1 Ph., 3 Wire
306-3491-01	1		120 Volt, 1 Ph., 2 Wire	306-3492-03	1		120/208 Volt, 3 Ph., 4 Wire
306-3491-04	1		120/240 Volt, 1 Ph., 3 Wire	306-3492-04	1		120/240 Volt, 3 Ph., 4 Wire
306-3491-03	1		120/208 Volt, 3 Ph., 4 Wire	306-3492-07	1		240/480 Volt, 3 Ph., 4 Wire
306-3491-04	1		120/240 Volt, 3 Ph., 4 Wire	306-3492-06	1		220/380 Volt, 3 Ph., 4 Wire
306-3491-07	1		240/480 Volt, 3 Ph., 4 Wire	306-3492-07	1		277/480 Volt, 3 Ph., 4 Wire
306-3491-06	1		220/380 Volt, 3 Ph., 4 Wire	306-3492-05	1		347/600 Volt, 3 Ph., 4 Wire
306-3491-07	1		277/480 Volt, 3 Ph., 4 Wire				50 Hertz
306-3491-05	1		347/600 Volt, 3 Ph., 4 Wire	306-3492-04	1		220 Volt, 1 Ph., 2 Wire
			50 Hertz	306-3492-04	1		115/200 Volt, 1 Ph., 3 Wire
306-3491-04	1		220 Volt, 1 Ph., 2 Wire	306-3492-04	1		220/380 Volt, 3 Ph., 4 Wire
306-3491-04	1		115/200 Volt, 1 Ph., 3 Wire	306-3492-03	1		120/208 Volt, 3 Ph., 4 Wire
306-3491-04	1		220/380 Volt, 3 Ph., 4 Wire	306-3492-06	1		240/416 Volt, 3 Ph., 4 Wire
306-3491-03	1		120/208 Volt, 3 Ph., 4 Wire				
306-3491-06	1		240/416 Volt, 3 Ph., 4 Wire				

Continued on next page

Transfer Switch Assembly (Continued)

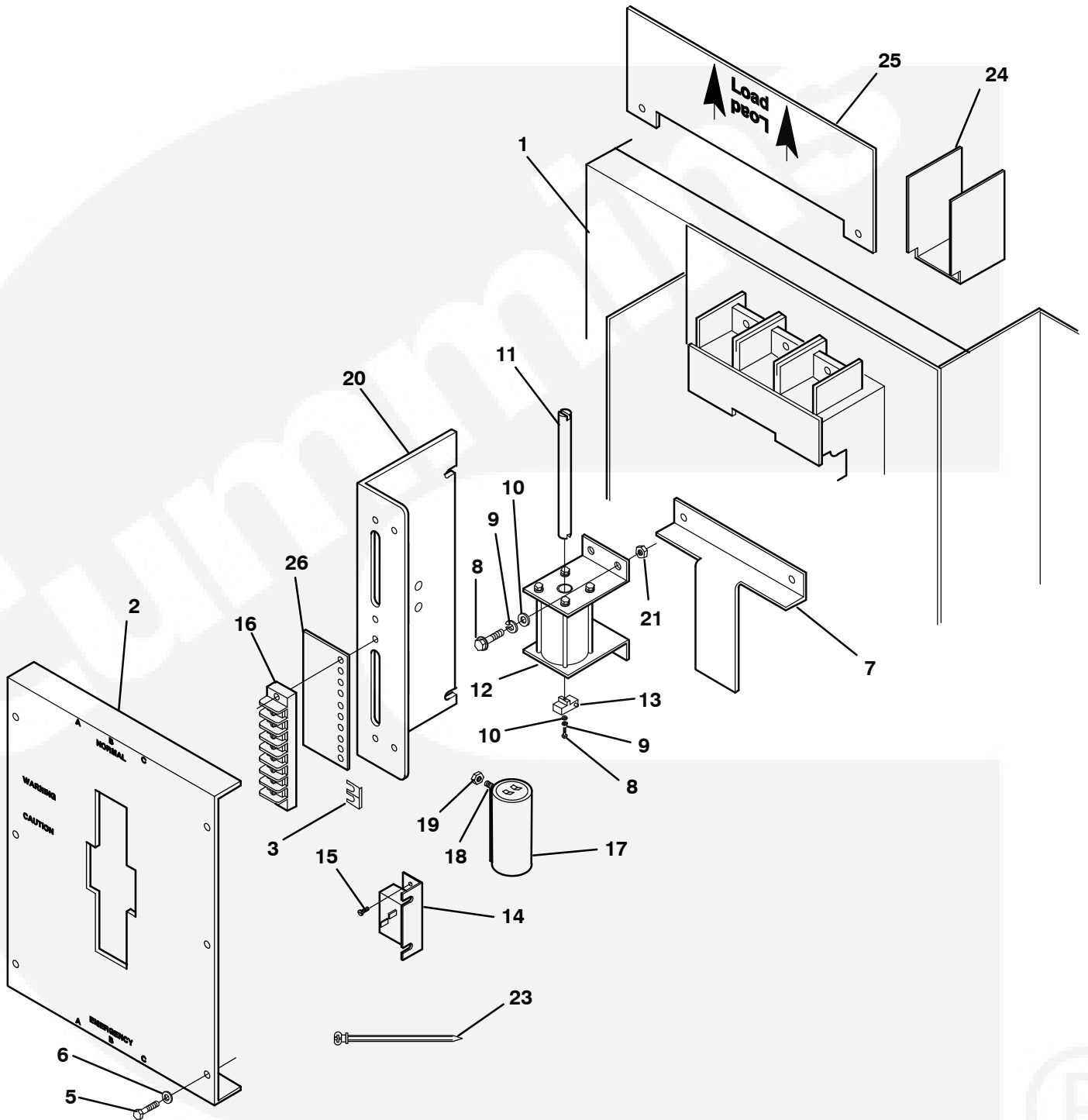


Transfer Switch Assembly (Continued)

REF NO.	PART NO.	QTY USED	PART DESCRIPTION	REF NO.	PART NO.	QTY USED	PART DESCRIPTION
			Transfer Switch Assembly – Front Connect (Includes Parts Marked *)				300 Amp 3 Pole 60 Hertz
			600 Amp 3 Pole 60 Hertz	306-3509-01	1		120 Volt, 1 Ph., 2 Wire
				306-3509-04	1		120/240 Volt, 1 Ph., 3 Wire
306-3490-01	1		120 Volt, 1 Ph., 2 Wire	306-3509-03	1		120/208 Volt, 3 Ph., 4 Wire
306-3490-04	1		120/240 Volt, 1 Ph., 3 Wire	306-3509-04	1		120/240 Volt, 3 Ph., 4 Wire
306-3490-03	1		120/208 Volt, 3 Ph., 4 Wire	306-3509-07	1		240/480 Volt, 3 Ph., 4 Wire
306-3490-04	1		120/240 Volt, 3 Ph., 4 Wire	306-3509-06	1		220/380 Volt, 3 Ph., 4 Wire
306-3490-07	1		240/480 Volt, 3 Ph., 4 Wire	306-3509-07	1		277/480 Volt, 3 Ph., 4 Wire
306-3490-06	1		220/380 Volt, 3 Ph., 4 Wire	306-3509-05	1		347/600 Volt, 3 Ph., 4 Wire
306-3490-07	1		277/480 Volt, 3 Ph., 4 Wire				50 Hertz
306-3490-05	1		347/600 Volt, 3 Ph., 4 Wire	306-3509-04	1		220 Volt, 1 Ph., 2 Wire
			50 Hertz	306-3509-04	1		115/200 Volt, 1 Ph., 3 Wire
306-3490-04	1		220 Volt, 1 Ph., 2 Wire	306-3509-04	1		220/380 Volt, 3 Ph., 4 Wire
306-3490-04	1		115/200 Volt, 1 Ph., 3 Wire	306-3509-03	1		120/208 Volt, 3 Ph., 4 Wire
306-3490-04	1		220/380 Volt, 3 Ph., 4 Wire	306-3509-06	1		240/416 Volt, 3 Ph., 4 Wire
306-3490-03	1		120/208 Volt, 3 Ph., 4 Wire				4 Pole 60 Hertz
306-3490-06	1		240/416 Volt, 3 Ph., 4 Wire	306-3512-01	1		120 Volt, 1 Ph., 2 Wire
			4 Pole 60 Hertz	306-3512-04	1		120/240 Volt, 1 Ph., 3 Wire
306-3493-01	1		120 Volt, 1 Ph., 2 Wire	306-3512-03	1		120/208 Volt, 3 Ph., 4 Wire
306-3493-04	1		120/240 Volt, 1 Ph., 3 Wire	306-3512-04	1		120/240 Volt, 3 Ph., 4 Wire
306-3493-03	1		120/208 Volt, 3 Ph., 4 Wire	306-3512-07	1		240/480 Volt, 3 Ph., 4 Wire
306-3493-04	1		120/240 Volt, 3 Ph., 4 Wire	306-3512-06	1		220/380 Volt, 3 Ph., 4 Wire
306-3493-07	1		240/480 Volt, 3 Ph., 4 Wire	306-3512-07	1		277/480 Volt, 3 Ph., 4 Wire
306-3493-06	1		220/380 Volt, 3 Ph., 4 Wire	306-3512-05	1		347/600 Volt, 3 Ph., 4 Wire
306-3493-07	1		277/480 Volt, 3 Ph., 4 Wire				50 Hertz
306-3493-05	1		347/600 Volt, 3 Ph., 4 Wire	306-3512-04	1		220 Volt, 1 Ph., 2 Wire
			50 Hertz	306-3512-04	1		115/200 Volt, 1 Ph., 3 Wire
306-3493-04	1		220 Volt, 1 Ph., 2 Wire	306-3512-04	1		220/380 Volt, 3 Ph., 4 Wire
306-3493-04	1		115/200 Volt, 1 Ph., 3 Wire	306-3512-03	1		120/208 Volt, 3 Ph., 4 Wire
306-3493-04	1		220/380 Volt, 3 Ph., 4 Wire	306-3512-06	1		240/416 Volt, 3 Ph., 4 Wire
306-3493-03	1		120/208 Volt, 3 Ph., 4 Wire				
306-3493-06	1		240/416 Volt, 3 Ph., 4 Wire				

Continued on next page

Transfer Switch Assembly (Continued)

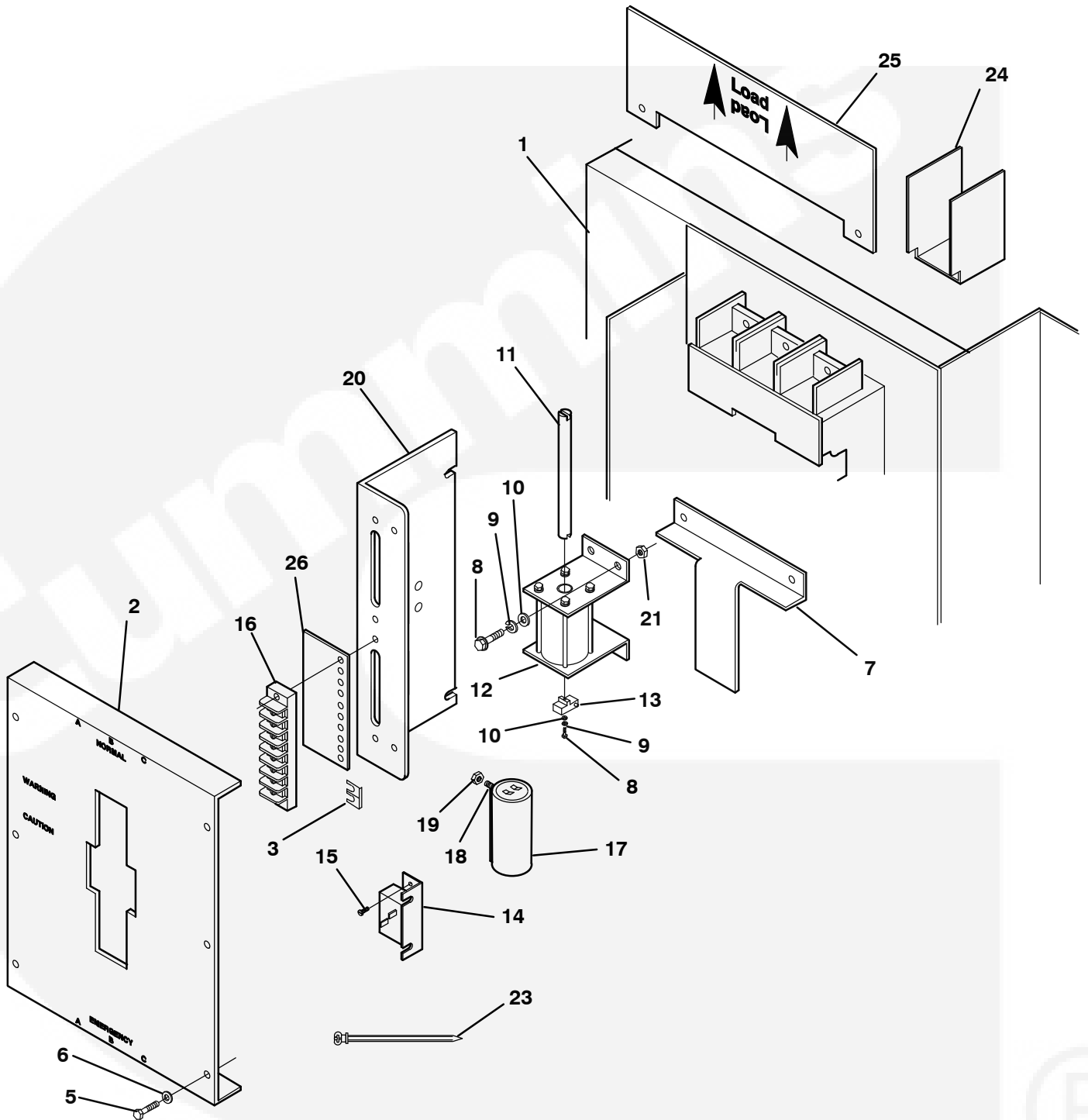


Transfer Switch Assembly (Continued)

REF NO.	PART NO.	QTY USED	PART DESCRIPTION	REF NO.	PART NO.	QTY USED	PART DESCRIPTION
Transfer Switch Assembly – Rear Connect (Includes Parts Marked *)							
400 Amp				600 Amp			
3 Pole				3 Pole			
60 Hertz				60 Hertz			
			120 Volt, 1 Ph., 2 Wire	306-3511-01	1		120 Volt, 1 Ph., 2 Wire
306-3510-01	1			306-3511-04	1		120/240 Volt, 1 Ph., 3 Wire
306-3510-04	1		120/240 Volt, 1 Ph., 3 Wire	306-3511-03	1		120/208 Volt, 3 Ph., 4 Wire
306-3510-03	1		120/208 Volt, 3 Ph., 4 Wire	306-3511-04	1		120/240 Volt, 3 Ph., 4 Wire
306-3510-04	1		120/240 Volt, 3 Ph., 4 Wire	306-3511-07	1		240/480 Volt, 3 Ph., 4 Wire
306-3510-07	1		240/480 Volt, 3 Ph., 4 Wire	306-3511-06	1		220/380 Volt, 3 Ph., 4 Wire
306-3510-06	1		220/380 Volt, 3 Ph., 4 Wire	306-3511-07	1		277/480 Volt, 3 Ph., 4 Wire
306-3510-07	1		277/480 Volt, 3 Ph., 4 Wire	306-3511-05	1		347/600 Volt, 3 Ph., 4 Wire
306-3510-05	1		347/600 Volt, 3 Ph., 4 Wire				50 Hertz
				306-3511-04	1		220 Volt, 1 Ph., 2 Wire
				306-3511-04	1		115/200 Volt, 1 Ph., 3 Wire
306-3510-04	1		220 Volt, 1 Ph., 2 Wire	306-3511-04	1		220/380 Volt, 3 Ph., 4 Wire
306-3510-04	1		115/200 Volt, 1 Ph., 3 Wire	306-3511-03	1		120/208 Volt, 3 Ph., 4 Wire
306-3510-04	1		220/380 Volt, 3 Ph., 4 Wire	306-3511-06	1		240/416 Volt, 3 Ph., 4 Wire
306-3510-03	1		120/208 Volt, 3 Ph., 4 Wire				4 Pole
306-3510-06	1		240/416 Volt, 3 Ph., 4 Wire				60 Hertz
				306-3514-01	1		120 Volt, 1 Ph., 2 Wire
				306-3514-04	1		120/240 Volt, 1 Ph., 3 Wire
306-3513-01	1		120 Volt, 1 Ph., 2 Wire	306-3514-03	1		120/208 Volt, 3 Ph., 4 Wire
306-3513-04	1		120/240 Volt, 1 Ph., 3 Wire	306-3514-04	1		120/240 Volt, 3 Ph., 4 Wire
306-3513-03	1		120/208 Volt, 3 Ph., 4 Wire	306-3514-07	1		240/480 Volt, 3 Ph., 4 Wire
306-3513-04	1		120/240 Volt, 3 Ph., 4 Wire	306-3514-06	1		220/380 Volt, 3 Ph., 4 Wire
306-3513-07	1		240/480 Volt, 3 Ph., 4 Wire	306-3514-07	1		277/480 Volt, 3 Ph., 4 Wire
306-3513-06	1		220/380 Volt, 3 Ph., 4 Wire	306-3514-05	1		347/600 Volt, 3 Ph., 4 Wire
306-3513-07	1		277/480 Volt, 3 Ph., 4 Wire				50 Hertz
306-3513-05	1		347/600 Volt, 3 Ph., 4 Wire	306-3514-04	1		220 Volt, 1 Ph., 2 Wire
				306-3514-04	1		115/200 Volt, 1 Ph., 3 Wire
306-3513-04	1		220 Volt, 1 Ph., 2 Wire	306-3514-04	1		220/380 Volt, 3 Ph., 4 Wire
306-3513-04	1		115/200 Volt, 1 Ph., 3 Wire	306-3514-03	1		120/208 Volt, 3 Ph., 4 Wire
306-3513-04	1		220/380 Volt, 3 Ph., 4 Wire	306-3514-06	1		240/416 Volt, 3 Ph., 4 Wire
306-3513-03	1		120/208 Volt, 3 Ph., 4 Wire				
306-3513-06	1		240/416 Volt, 3 Ph., 4 Wire				

Continued on next page

Transfer Switch Assembly (Continued)



Transfer Switch Assembly (Continued)

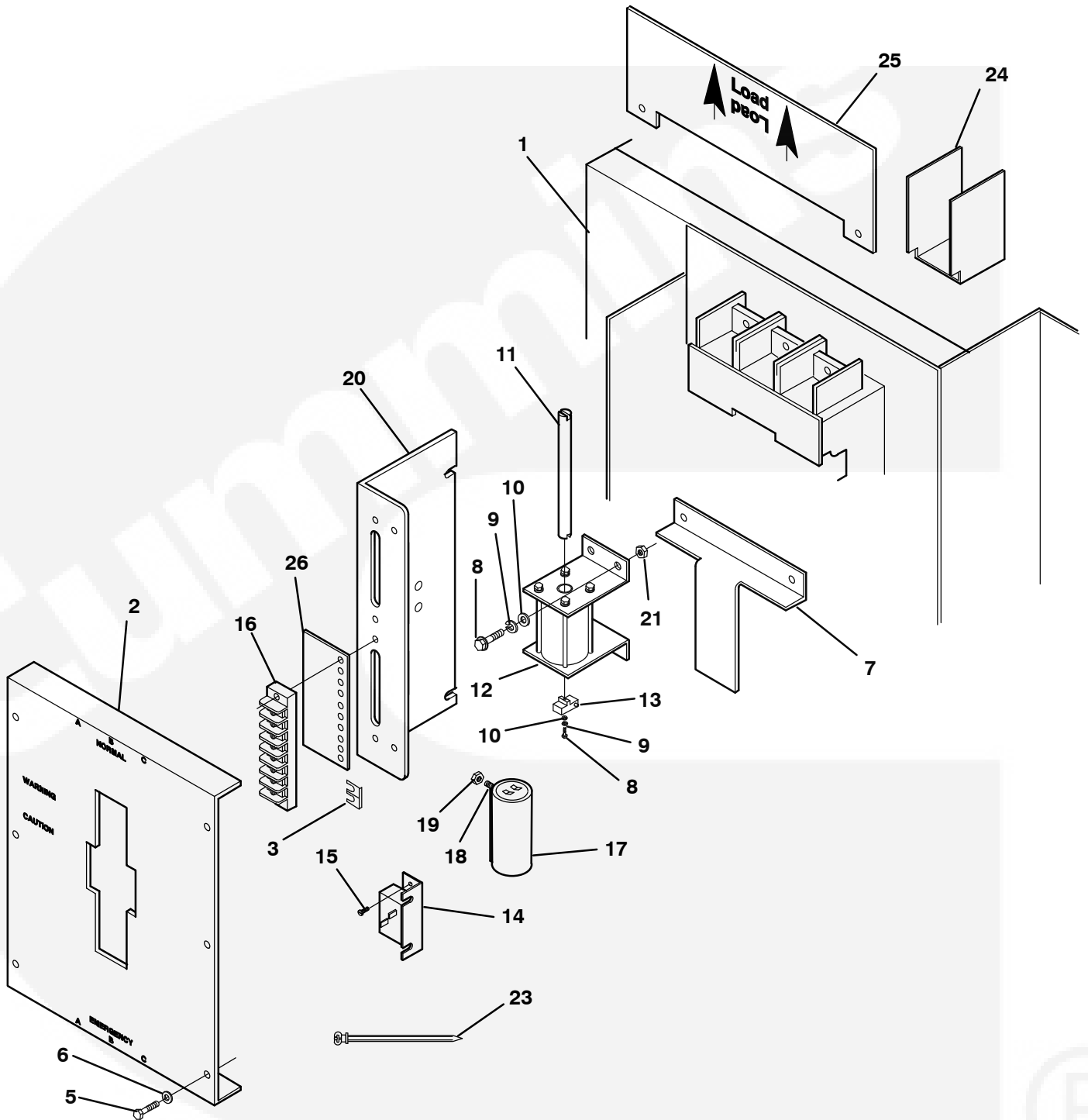
REF NO.	PART NO.	QTY USED	PART DESCRIPTION	REF NO.	PART NO.	QTY USED	PART DESCRIPTION
1			*Switch Assembly (See separate page for components)				50 Hertz
			Front Connect		306-3112	1	220 Volt, 1 Ph., 2 Wire
			300 & 400 Amp		306-3112	1	115/200 Volt, 1 Ph., 3 Wire
	306-3425-01	1	3 Pole		306-3114	1	220/380 Volt, 3 Ph., 4 Wire
	306-3427-01	1	4 Pole				
			600 Amp		306-3111	1	120/208 Volt, 3 Ph., 4 Wire
	306-3425-02	1	3 Pole				
	306-3427-02	1	4 Pole		306-3114	1	240/416 Volt, 3 Ph., 4 Wire
			Rear Connect				
	306-3506	1	3 Pole	13	306-3400-02	2	*Rod-End, Actuator
	306-3507	1	4 Pole	14			*Breaker, Circuit
2			*Cover, Contact (Includes Label)				60 Hertz
	306-3472	1	3 Pole		320-0613	1	120 Volt, 1 Ph., 2 Wire
	306-3429	1	4 Pole		320-0611	1	120/240 Volt, 1 Ph., 3 Wire
	098-5624-01	1	Label				
3	332-2605	2	*Terminal, Jumper		320-0611	1	120/208 Volt, 3 Ph., 4 Wire
5			*Screw, Cap - Hex Head (#10-32 x 1/2)		320-0611	1	120/240 Volt, 3 Ph., 4 Wire
	815-0652	14	3 Pole				
	815-0652	16	4 Pole		320-0608	1	240/480 Volt, 3 Ph., 4 Wire
6			*Washer, Flat (#10)				
	526-0008	8	3 Pole		320-0608	1	220/380 Volt, 3 Ph., 4 Wire
	526-0008	10	4 Pole				
7	306-2340	2	*Barrier		320-0608	1	277/480 Volt, 3 Ph., 4 Wire
8	800-0008	6	*Screw, Cap - Hex Head (1/4-20 x 1-1/4)		320-0609	1	347/600 Volt, 3 Ph., 4 Wire
9	850-0040	6	*Washer, Lock (1/4)				
10	526-0018	6	*Washer, Flat (1/4)				50 Hertz
11	306-3424	1	*Rod, Actuator		320-0608	1	220 Volt, 1 Ph., 2 Wire
12			*Actuator, Linear		320-0611	1	115/200 Volt, 1 Ph., 3 Wire
			60 Hertz				
	306-3109	1	120 Volt, 1 Ph., 2 Wire		320-0611	1	220/380 Volt, 3 Ph., 4 Wire
	306-3112	1	120/240 Volt, 1 Ph., 3 Wire				
					320-0608	1	120/208 Volt, 3 Ph., 4 Wire
	306-3111	1	120/208 Volt, 3 Ph., 4 Wire				
					320-0608	1	240/416 Volt, 3 Ph., 4 Wire
	306-3112	1	120/240 Volt, 3 Ph., 4 Wire				
	306-3115	1	240/480 Volt, 3 Ph., 4 Wire				
	306-3114	1	220/380 Volt, 3 Ph., 4 Wire				
	306-3115	1	277/480 Volt, 3 Ph., 4 Wire				
	306-3111	1	347/600 Volt, 3 Ph., 4 Wire				

* Parts included in complete Transfer Switch Assembly

Continued on next page



Transfer Switch Assembly (Continued)



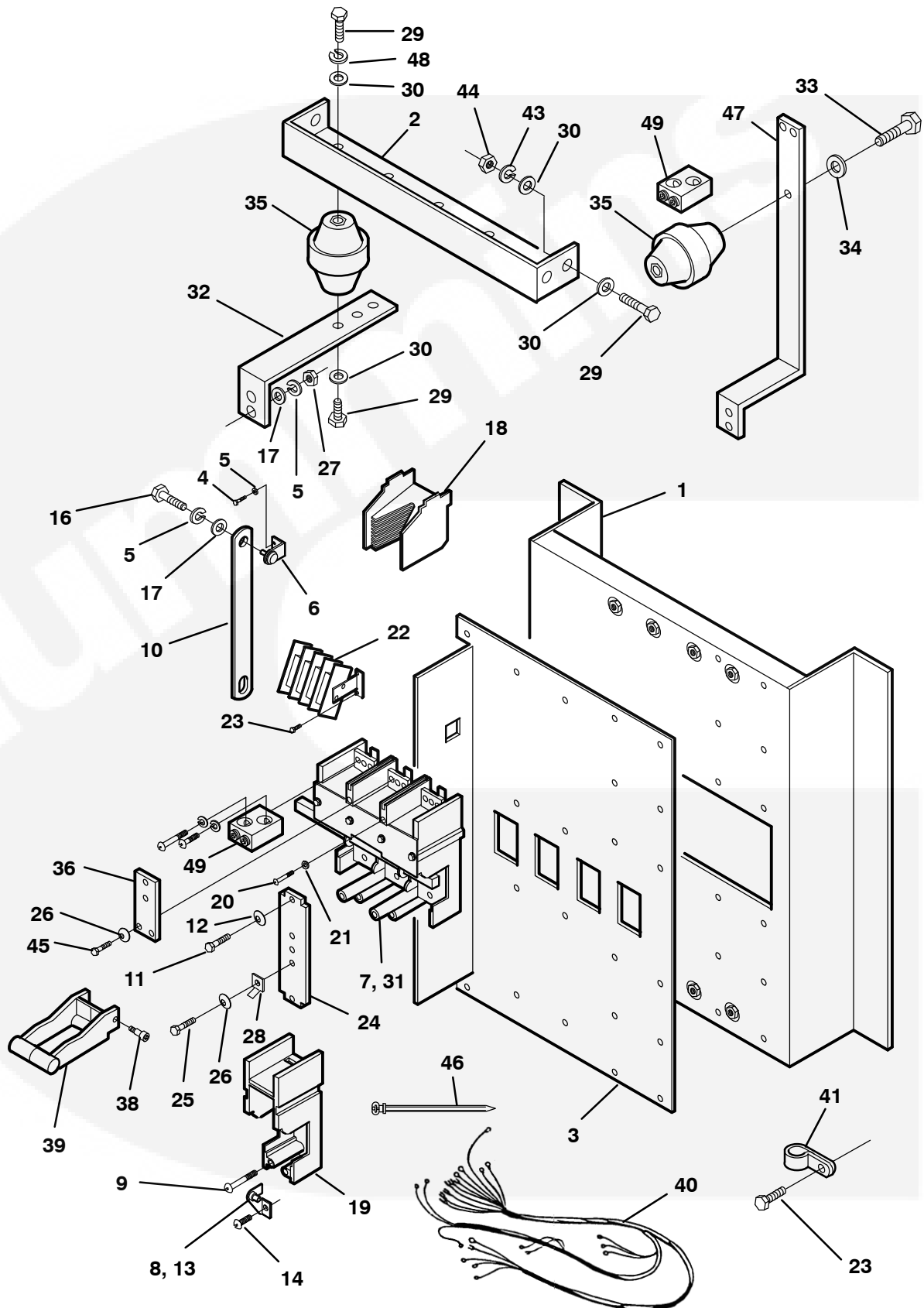
Transfer Switch Assembly (Continued)

REF NO.	PART NO.	QTY USED	PART DESCRIPTION	REF NO.	PART NO.	QTY USED	PART DESCRIPTION
15	815-0651	6	*Screw, Round Head – Cross Recessed (#6-32 x 3/4)	18	815-0029	AR	*Screw, Flat Head – Cross Recessed (#6-32 x 3/4)
16	332-2832	2	*Block, Terminal	19	870-0131	AR	*Nut, Hex – w/ET (#10-32)
17			*Capacitor	20	306-3418	2	*Bracket, Terminal
			60 Hertz	21	526-0016	4	*Washer, Flat (1/4)
	312-0239	1	120 Volt, 1 Ph., 2 Wire	23	332-0942	4	*Tie, Cable
	312-0206	1	120/240 Volt, 1 Ph., 3 Wire	24			*Barrier, Lug (Front Connect Only)
	312-0218	1	120/208 Volt, 3 Ph., 4 Wire		306-3099	1	3 Pole
	312-0206	1	120/240 Volt, 3 Ph., 4 Wire		306-3099	2	4 Pole
	312-0236	2	240/480 Volt, 3 Ph., 4 Wire	25			*Cover, Lug (Front Connect Only)
	312-0204	1	220/380 Volt, 3 Ph., 4 Wire		306-3127	1	3 Pole
	312-0236	2	277/480 Volt, 3 Ph., 4 Wire		306-3428	1	4 Pole
	312-0205	1	347/600 Volt, 3 Ph., 4 Wire	26	332-2903	2	*Strip, Marker
			50 Hertz				
	312-0206	1	220 Volt, 1 Ph., 2 Wire				
	312-0206	1	115/200 Volt, 1 Ph., 3 Wire				
	312-0206	1	220/380 Volt, 3 Ph., 4 Wire				
	312-0206	1	120/208 Volt, 3 Ph., 4 Wire				
	312-0204	1	240/416 Volt, 3 Ph., 4 Wire				

* Parts included in Transfer Switch Assembly



Switch Assembly

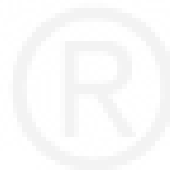


Switch Assembly

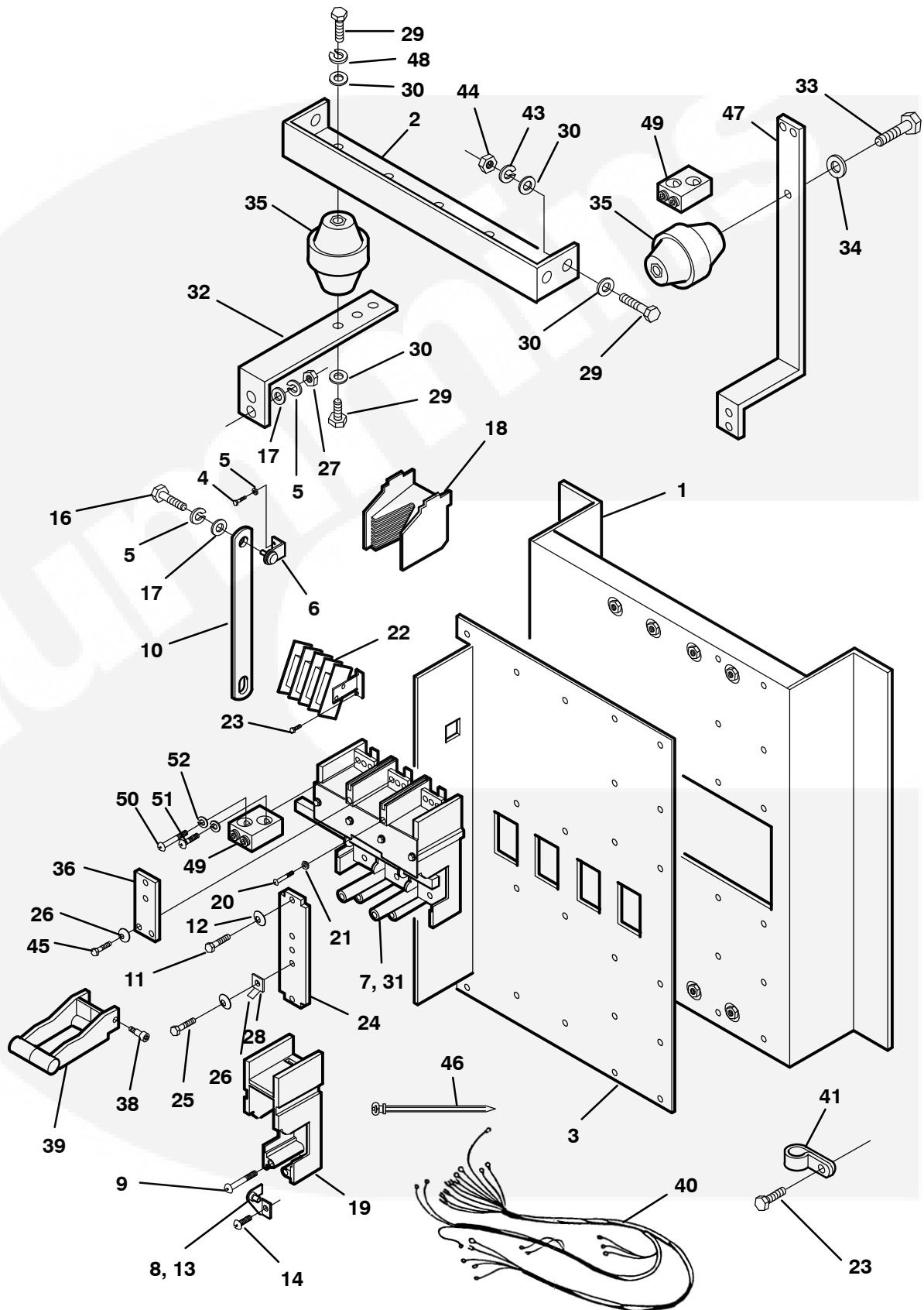
REF NO.	PART NO.	QTY USED	PART DESCRIPTION	REF NO.	PART NO.	QTY USED	PART DESCRIPTION
			Switch Assembly (Includes Parts Marked *)	19	306-3423	2	*Block & Contact Assembly (4 Pole Only)
			Front Connect	20	815-0656	8	*Screw, Round Head (1/4-20 x 2-3/4)
			300 & 400 Amp	21	526-2081	8	*Washer, Flat (#6)
	306-3425-01	1	3 Pole	22	306-3417	2	*Switch Assembly, Auxiliary (See Separate Page for Components)
	306-3427-01	1	4 Pole				
			600 Amp				
	306-3425-02	1	3 Pole	23	815-0652	9	*Screw, Cap - Hex Head (#10-32 x 1/2)
	306-3427-02	1	4 Pole				
			Rear Connect	24			*Strap, Jumper
	306-3506	1	3 Pole		337-1941	3	3 Pole
	306-3507	1	4 Pole		337-1941	4	4 Pole
1	306-3415	1	*Base, Mounting	25			*Screw, Cap - Hex Head (1/4-20 x 1-1/4)
2	306-3505	1	*Bracket, Support (Rear Connect Only)				3 Pole
3	306-3416	1	*Barrier, Base - Mounting		800-0008	6	4 Pole
4	800-0002	2	*Screw, Cap - Hex Head (1/4-20 x 3/8)	26	800-0008	8	*Washer, Conical (1/4) Front Connect
5			*Washer, Lock (1/4)				3 Pole
	850-0040	10	3 Pole		851-0027	6	4 Pole
	850-0040	12	4 Pole		851-0027	8	Rear Connect
6	306-0509	1	*Arm, Interlock - Left Hand		851-0027	18	3 Pole
7			*Block & Crossbar Assembly - Emergency (See Separate Page for Components)		851-0027	24	4 Pole
				27			*Nut, Hex (1/4-20)
	306-3414-02	1	3 Pole		862-0001	6	3 Pole
	306-3414-04	1	4 Pole		862-0001	8	4 Pole
8	306-0384	1	*Support, Right Hand (4 Pole Only)	28			*Terminal, Tab
9	815-0653	8	*Screw, Round Head (#10-32 x 1-3/4) (4 Pole Only)		332-2462	3	3 Pole
10	306-3107	1	*Bar, Interlock		332-2462	4	4 Pole
11			*Screw, Cap - Hex Head (5/16-18 x 1)	29			*Screw, Cap - Hex Head (3/8-16 x 3/4) (Rear Connect Only)
					800-0048	7	3 Pole
	800-0028	6	3 Pole		800-0048	8	4 Pole
	800-0028	8	4 Pole	30			*Washer, Flat (3/8) Front Connect
12			*Washer, Conical				3 Pole
	851-0028	6	3 Pole		526-0030	3	4 Pole
	851-0028	8	4 Pole		526-0030	4	Rear Connect
13	306-0382	1	*Support, Left Hand (4 Pole Only)				3 Pole
14	813-0142	2	*Screw, Round Head - w/IT (#10-32 x 3/4) (4 Pole Only)		526-0030	11	4 Pole
15	306-0510	1	*Arm, Interlock - Right Hand		526-0030	12	
16	800-0003	2	*Screw, Cap - Hex Head (1/4-20 x 1/2)				
17			*Washer, Flat (1/4)				
	526-0018	8	3 Pole				
	526-0018	10	4 Pole				
18	306-3030	2	*Chute, Arc (4 Pole Only)				

* Parts included in Switch Assembly

Continued on next page.



Switch Assembly (Continued)



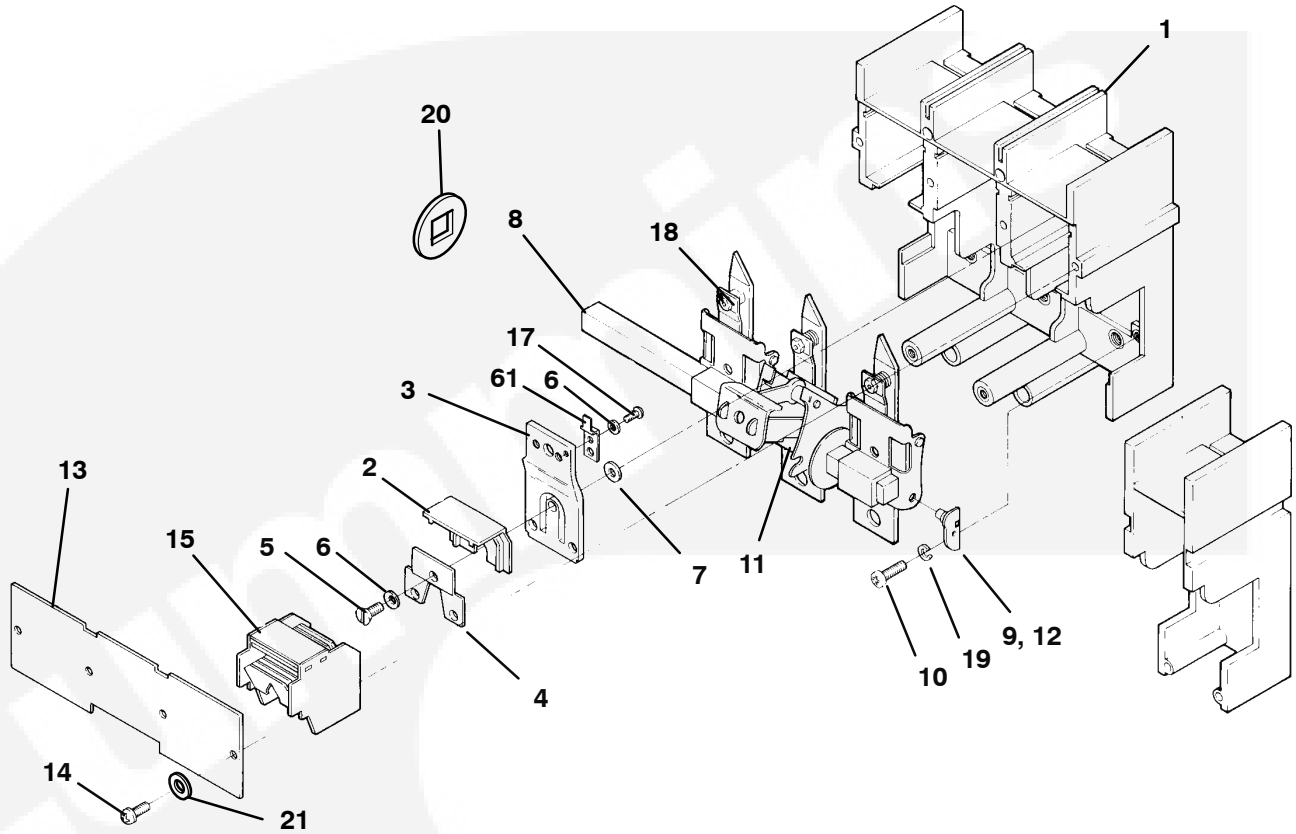
Switch Assembly (Continued)

REF NO.	PART NO.	QTY USED	PART DESCRIPTION	REF NO.	PART NO.	QTY USED	PART DESCRIPTION
31			*Block & Crossbar Assembly – Normal (See separate page for components)	43			(#10–32 x 1/4) (4 Pole Only)
	306–3414–01	1	3 Pole		850–0050	7	*Washer, Lock (3/8) (Rear Connect Only)
	306–3414–03	1	4 Pole		850–0050	8	3 Pole
32			*Strap, Load (Rear Connect Only)	44	862–0003	4	4 Pole
	337–2399	3	3 Pole	45			*Nut, Hex (3/8–16) (Rear Connect Only)
	337–2399	4	4 Pole				*Screw, Cap – Hex Head (1/4–20 x 3/4) (Rear Connect Only)
33			*Screw, Cap – Hex Head (3/8–16 x 1)		800–0005	12	3 Pole
			Front Connect		800–0005	16	4 Pole
	800–0050	3	3 Pole	46	332–1445	4	*Tie, Cable
	800–0050	4	4 Pole	47			*Strap, Load (Front Connect Only)
			Rear Connect		337–1940	3	3 Pole
	800–0050	3	3 Pole		337–1940	4	4 Pole
	800–0050	8	4 Pole				*Washer, Lock – ET (3/8) (Front Connect Only)
34			*Washer, Conical (3/8)	48			3 Pole
			Front Connect		853–0018	3	4 Pole
	851–0022	3	3 Pole		853–0018	4	*Lug, Solderless (Front Connect Only)
	851–0022	4	4 Pole	49			300 & 400 Amp
			Rear Connect				3 Pole
	851–0022	3	3 Pole				4 Pole
	851–0022	8	4 Pole				600 Amp
35			*Standoff, Insulator		332–2704	9	3 Pole
	332–2512	3	3 Pole		332–2704	12	4 Pole
	332–2512	4	4 Pole				600 Amp
36			*Strap, Normal & Emergency (Rear Connect Only)		332–2660	9	3 Pole
	337–2400	6	3 Pole		332–2660	12	4 Pole
	337–2400	8	4 Pole	50			*Screw
37	815–0485	4	*Screw, Shoulder (#10–32)		822–0089	1	300 & 400 Amp
38	850–0030	4	*Washer, Lock (#10)		822–0091	1	600 Amp
39	306–1372	2	*Handle Assembly – Actuator (See separate page for components)	51	822–0085	1	*Screw
				52	850–0039	2	*Washer
40			*Harness, Wiring – Switch Assembly				
	338–2039	1	Front Connect				
	338–2239	1	Rear Connect				
41	332–2352	1	*Clamp				
42	815–0157	2	*Screw, Socket Head				

* Parts included in Switch Assembly



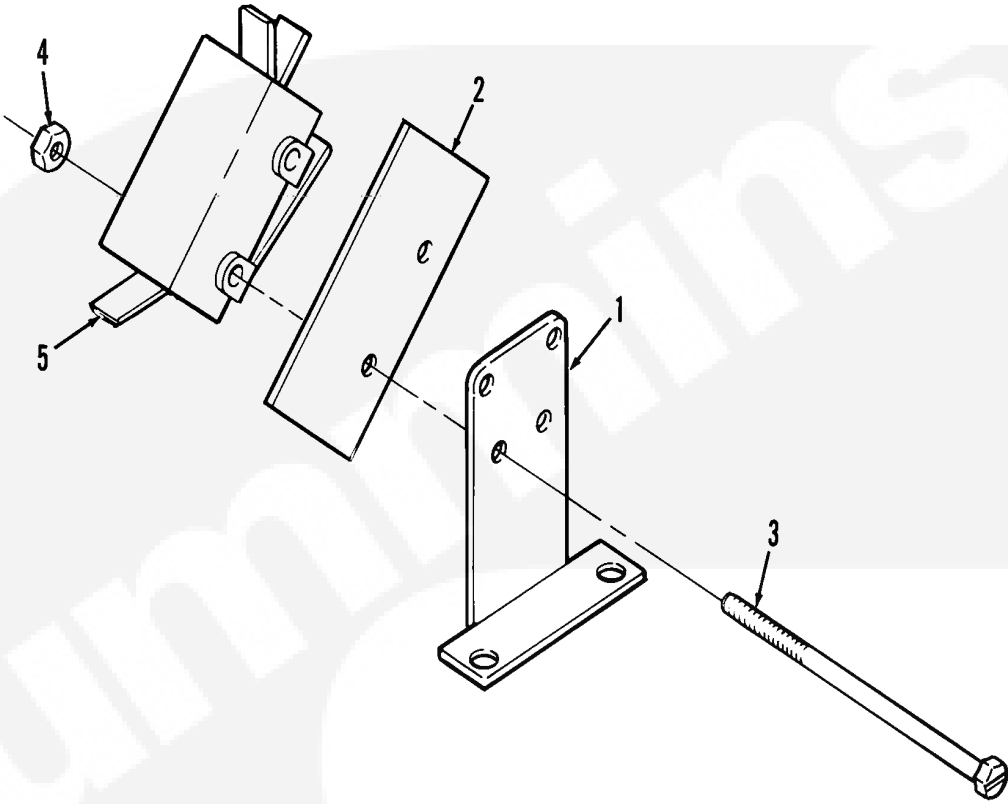
Block & Crossbar Assembly (Normal & Emergency)



REF NO.	PART NO.	QTY USED	PART DESCRIPTION	REF NO.	PART NO.	QTY USED	PART DESCRIPTION
			Block & Crossbar Assembly (Includes Parts Marked *)	9	306-0384	1	*Support, Right Hand
			3 Pole	10	813-0142	6	*Screw, Lock - Round Head (#10-32 x 3/4)
	306-3414-01	1	Normal	11	306-3106	1	*Lock, Trigger
	306-3414-02	1	Emergency	12	306-0382	1	*Support, Left Hand
			4 Pole	13	306-3097	1	*Cover, Chute - Arc 3 Pole
	306-3414-03	1	Normal		306-3422	1	4 Pole
	306-3414-04	1	Emergency	14	815-0801	4	*Screw, Machine - Pan Head
1	306-3105	1	*Block Assembly, Component	15	306-3030	3	*Chute, Arc
2	306-3032	3	*Boot, Insulator	16	332-2834	3	*Terminal
3	306-3104	3	*Strap, Line	17	815-0285	3	*Screw, Round Head - w/ET (#8-32 x 5/16)
4	306-3031	3	*Runner, Arc	18	815-0157	3	*Screw, Socket Head (#10-32 x 1/4)
5	815-0832	9	*Screw, Machine - Flat Head (#10-32 x 3/4)	19	526-0062	4	*Washer, Flat (#10)
6	850-0030	6	*Washer, Lock - EIT (#10)	20	306-3901	1	*Spacer
7	526-0009	3	*Washer, Flat (#8)				
8			*Crossbar Assembly 3 Pole				
	306-3410	1	Normal				
	306-3411	1	Emergency				
			4 Pole				
	306-3412	1	Normal				
	306-3413	1	Emergency				

* Parts included in Block & Crossbar Assembly

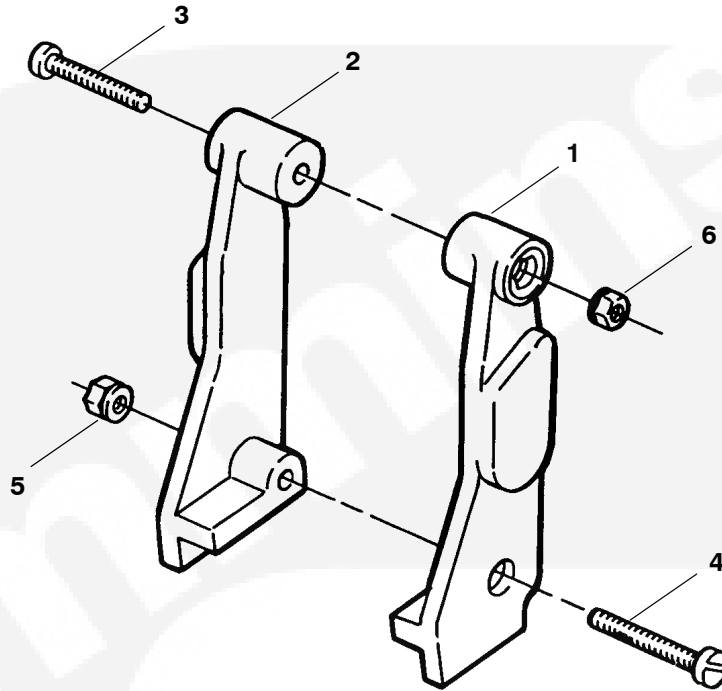
Auxiliary Switch Assembly



REF NO.	PART NO.	QTY USED	PART DESCRIPTION	REF NO.	PART NO.	QTY USED	PART DESCRIPTION
	306-3417	2	Switch Assembly - Auxiliary (Includes parts marked *)	4	870-0201	2	*Nut, Lock (#6-32)
1	306-3420	2	*Bracket, Switch - Auxiliary	5	309-0393	4	*Switch, Snap-Action
2	306-3391	5	*Barrier, Switch	* Parts included in 306-3417 Auxiliary Switch Assembly			
3	815-0686	2	*Screw, Machine - Hex Head (#6-32 x 3-1/4)				

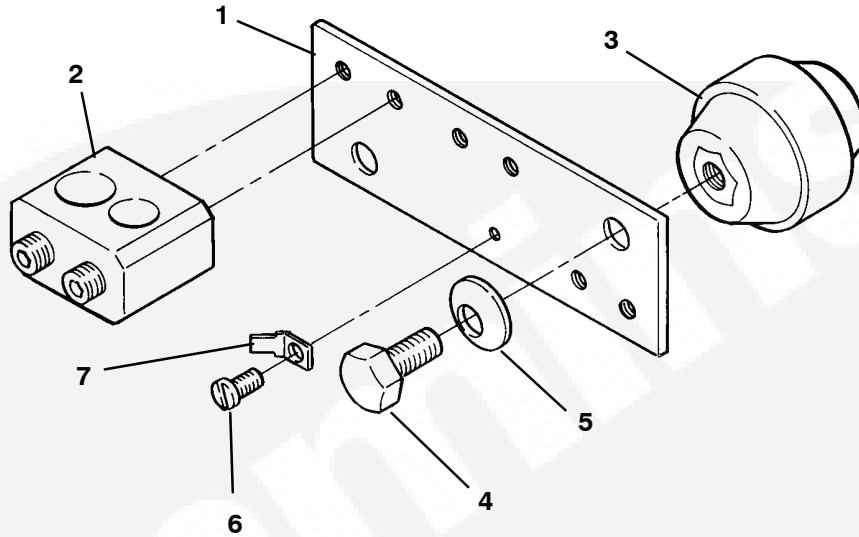


Actuator Handle Assembly



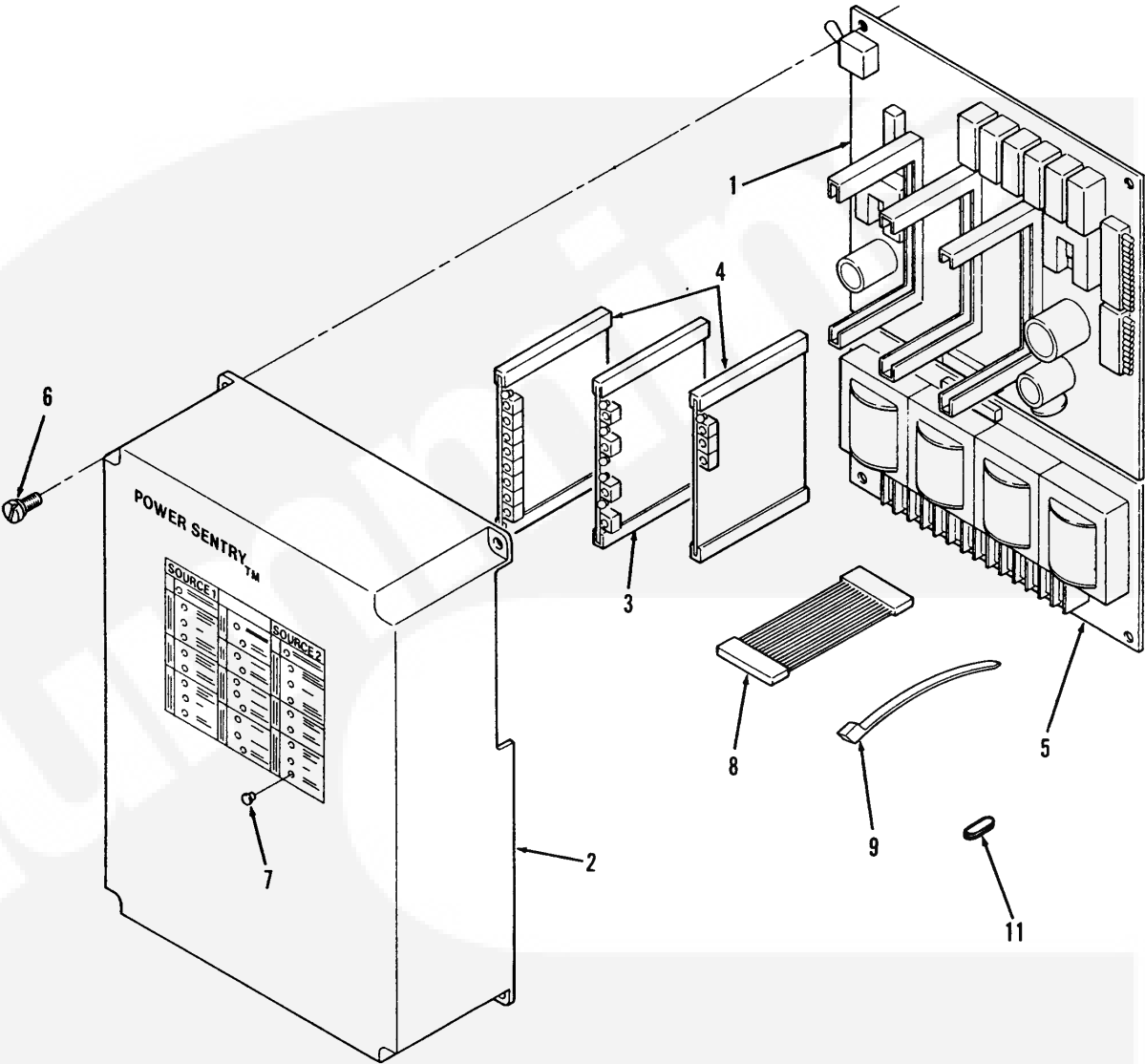
REF NO.	PART NO.	QTY USED	PART DESCRIPTION	REF NO.	PART NO.	QTY USED	PART DESCRIPTION
	306-1372	1	Handle Assembly – Actuator (Includes Parts Marked *)	4	815-0933	1	*Screw, Machine – Round Head (#10-32 x 1-3/4)
1	306-1341	1	*Handle, Switch – Right Hand	5	870-0298	1	*Nut, Lock (#10-32)
2	306-1342	1	*Handle, Switch – Left Hand	6	870-0235	1	*Nut, Lock (#8-32)
3	815-0932	1	*Screw, Machine – Round Head (#8-32 x 2-1/4)	* Parts included in 306-1372 Actuator Handle Assembly			

Neutral Bar



REF NO.	PART NO.	QTY USED	PART DESCRIPTION	REF NO.	PART NO.	QTY USED	PART DESCRIPTION
1	337-2352	1	Bar, Neutral	5	851-0022	4	Spring, Disc - Conical (3/8)
2	332-2704	3	Lug, Solderless 300 & 400 Amp	6	815-0285	1	Screw, Machine - Round Head w/ET (#8-32 x 5/8)
	332-2660	3	600 Amp	7	332-2834	1	Terminal, Tab (1/4)
3	332-2512	4	Standoff, Insulator				
4	800-0049	4	Screw, Cap - Hex Head (3/8-16 x 7/8)				

Control Assembly

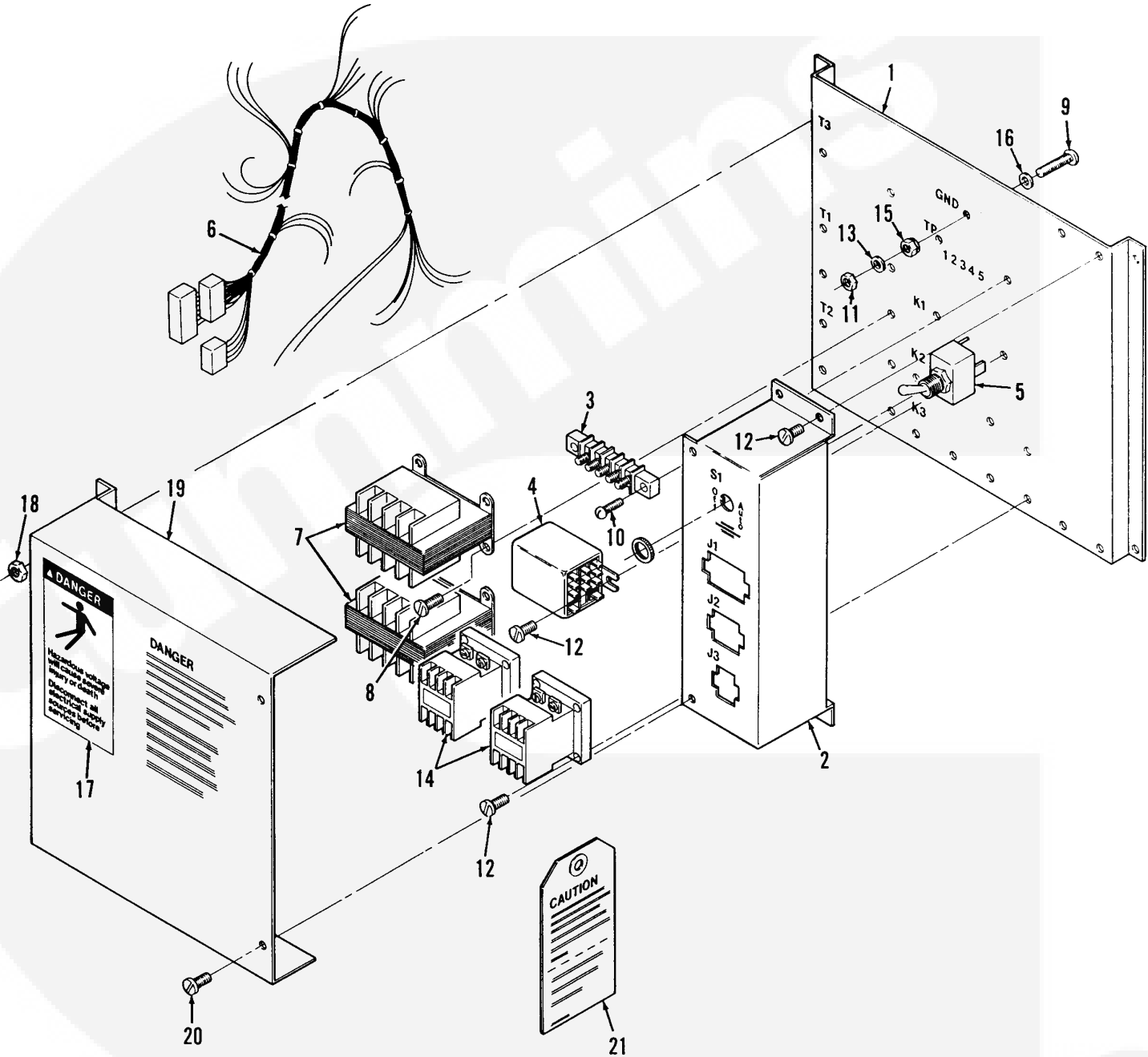


Control Assembly

REF NO.	PART NO.	QTY USED	PART DESCRIPTION	REF NO.	PART NO.	QTY USED	PART DESCRIPTION
1			Board, PC – Mother				50 Hertz
	300-3953-01	1	Utility to Genset		300-3092	1	220 Volt, 1 Ph., 2 Wire
	300-3267	1	Genset to Genset		300-3092	1	115/200 Volt, 1 Ph., 3 Wire
2	306-3470	1	Cover, Board – PC (Includes Labels)		300-3092	1	220/380 Volt, 3 Ph., 4 Wire
	098-5661	1	Label, Cover		300-3092	1	120/208 Volt, 3 Ph., 4 Wire
	098-5766	1	Label, Switch		300-3092	1	240/416 Volt, 3 Ph., 4 Wire
3			Board, PC – Time Delay (J2)				
	300-3094	1	Standard Time Delay		300-3092	1	240/416 Volt, 3 Ph., 4 Wire
	300-3261	1	90 Second Extended Time Delay	6	815-0544	9	Screw, Round Head – w/IT (#6-32 x 1/2)
4			Board, PC – Voltage Sensor (J1, J3)	7	517-0256	10	Plug, Hole
	300-3121	1	Undervoltage (50Hz. & 60 Hz.)	8	323-1387	1	Pin Assembly, Ribbon
			Over/Under Voltage & Over/Under Frequency	9	332-1877	5	Tie, Cable
	300-3093-01	1	60 Hertz	11	332-1917	3	Plug, Keying
	300-3093-02	1	50 Hertz				
	300-4275	1	Undervoltage (5 sec.)				
	300-4276-01	1	Overvoltage (5 sec.) (60 Hz.)				
	300-4276-02	1	Overvoltage (5 sec.) (50 Hz.)				
5			Board, PC – Transformer				
			60 Hertz				
	300-3119	1	120 Volt, 1 Ph., 2 Wire				
	300-3092	1	120/240 Volt, 1 Ph., 3 Wire				
	300-3092	1	120/208 Volt, 3 Ph., 4 Wire				
	300-3092	1	120/240 Volt, 3 Ph., 4 Wire				
	300-3092	1	240/480 Volt, 3 Ph., 4 Wire				
	300-3092	1	220/380 Volt, 3 Ph., 4 Wire				
	300-3092	1	277/480 Volt, 3 Ph., 4 Wire				
	300-3118	1	347/600 Volt, 3 Ph., 4 Wire				



Accessory Control Plate (All Except 600 Volt)



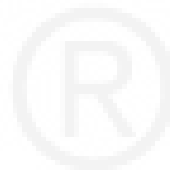
Accessory Control Plate (All Except 600 Volt)

REF NO.	PART NO.	QTY USED	PART DESCRIPTION	REF NO.	PART NO.	QTY USED	PART DESCRIPTION
1	301-9754	1	Plate, Door				Load Shed From Emergency
	098-5773	1	Label				60 Hertz
	098-5680	1	Standard	338-2099	1		120 Volt, 1 Ph., 2 Wire
			Load Shed	338-2100	1		120/240 Volt, 1 Ph.,
2	301-9774	1	Bracket (Includes Label)				3 Wire
	098-5681	1	Label	338-2100	1		120/208 Volt, 3 Ph.,
3	332-2884	1	Block, Terminal				4 Wire
4			#*Relay, 3PDT - 24 VAC	338-2100	1		120/240 Volt, 3 Ph.,
	307-2575	2	Standard (K1, K2)				4 Wire
	307-2575	1	Load Shed From Emergency	338-2100	1		240/480 Volt, 3 Ph.,
			(K1)				4 Wire
5	308-0406	1	Switch, Toggle - DPDT (S1)	338-2100	1		220/380 Volt, 3 Ph.,
6			Harness, Wiring - Main				4 Wire
			Standard	338-2100	1		277/480 Volt, 3 Ph.,
			60 Hertz				4 Wire
	338-2073	1	120 Volt, 1 Ph., 2 Wire	338-2100	1		347/600 Volt, 3 Ph.,
	338-2064	1	120/240 Volt, 1 Ph.,				4 Wire
			3 Wire				50 Hertz
	338-2064	1	120/208 Volt, 3 Ph.,	338-2100	1		220 Volt, 1 Ph., 2 Wire
			4 Wire	338-2100	1		115/200 Volt, 1 Ph.,
	338-2064	1	120/240 Volt, 3 Ph.,				3 Wire
			4 Wire	338-2100	1		220/380 Volt, 3 Ph.,
	338-2064	1	240/480 Volt, 3 Ph.,				4 Wire
			4 Wire	338-2100	1		120/208 Volt, 3 Ph.,
	338-2064	1	220/380 Volt, 3 Ph.,				4 Wire
			4 Wire	338-2100	1		240/416 Volt, 3 Ph.,
	338-2064	1	277/480 Volt, 3 Ph.,				4 Wire
			4 Wire	338-3231	1		Non-Automatic (120 Volt
	338-2064	1	347/600 Volt, 3 Ph.,				Only)
			4 Wire				
			50 Hertz				
	338-2064	1	220 Volt, 1 Ph., 2 Wire				
	338-2064	1	115/200 Volt, 1 Ph.,				
			3 Wire				
	338-2064	1	220/380 Volt, 3 Ph.,				
			4 Wire				
	338-2064	1	120/208 Volt, 3 Ph.,				
			4 Wire				
	338-2064	1	240/416 Volt, 3 Ph.,				
			4 Wire				

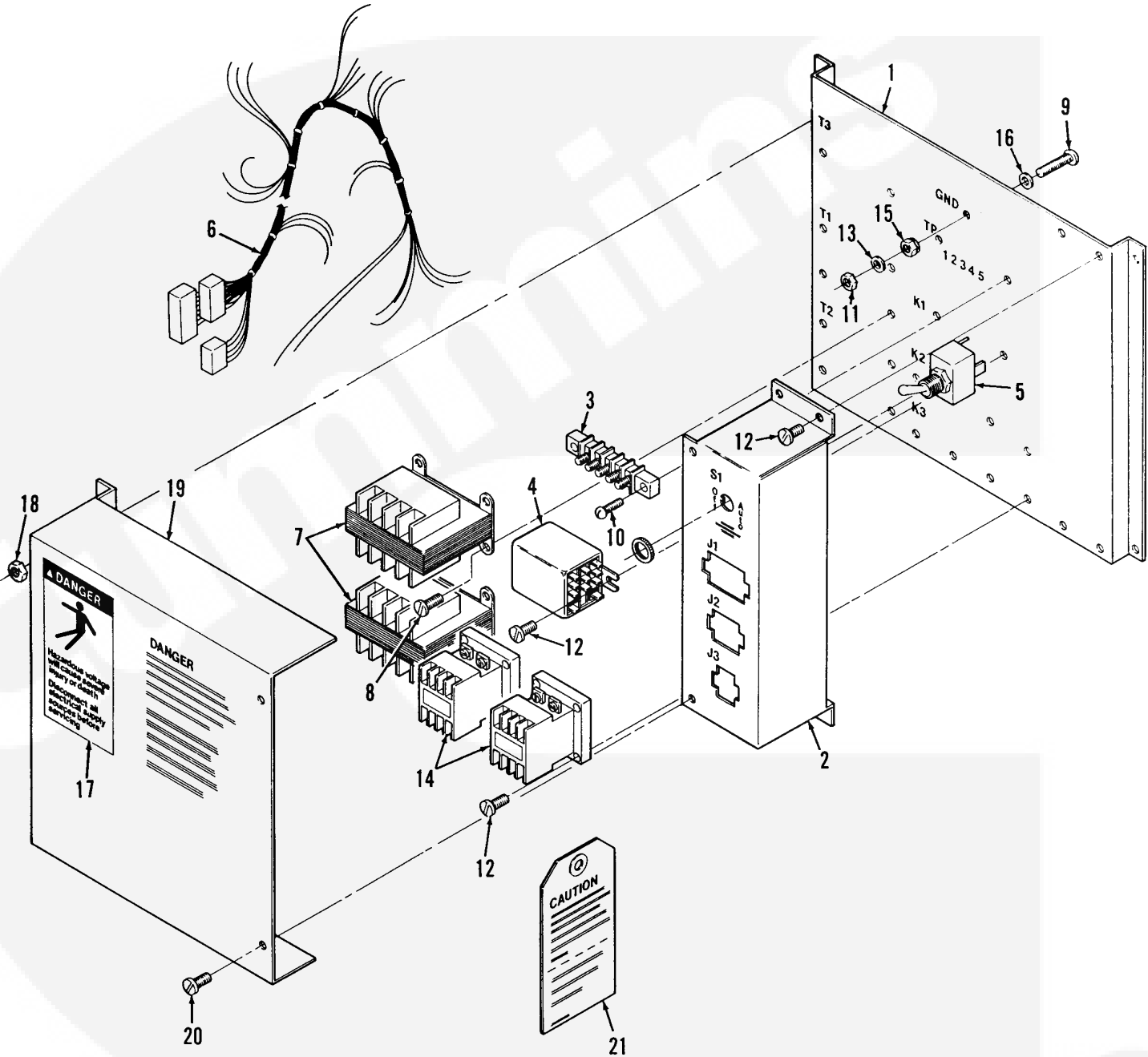
* Load Shed Units use Reference #14

Note: If customer requests K2 Relay, If K4 filled, supply 307-2648. If not, supply 307-2575.

Continued on next page.



Accessory Control Plate (All Except 600 Volt)



**Accessory Control Plate
(All Except 600 Volt)
(Continued)**

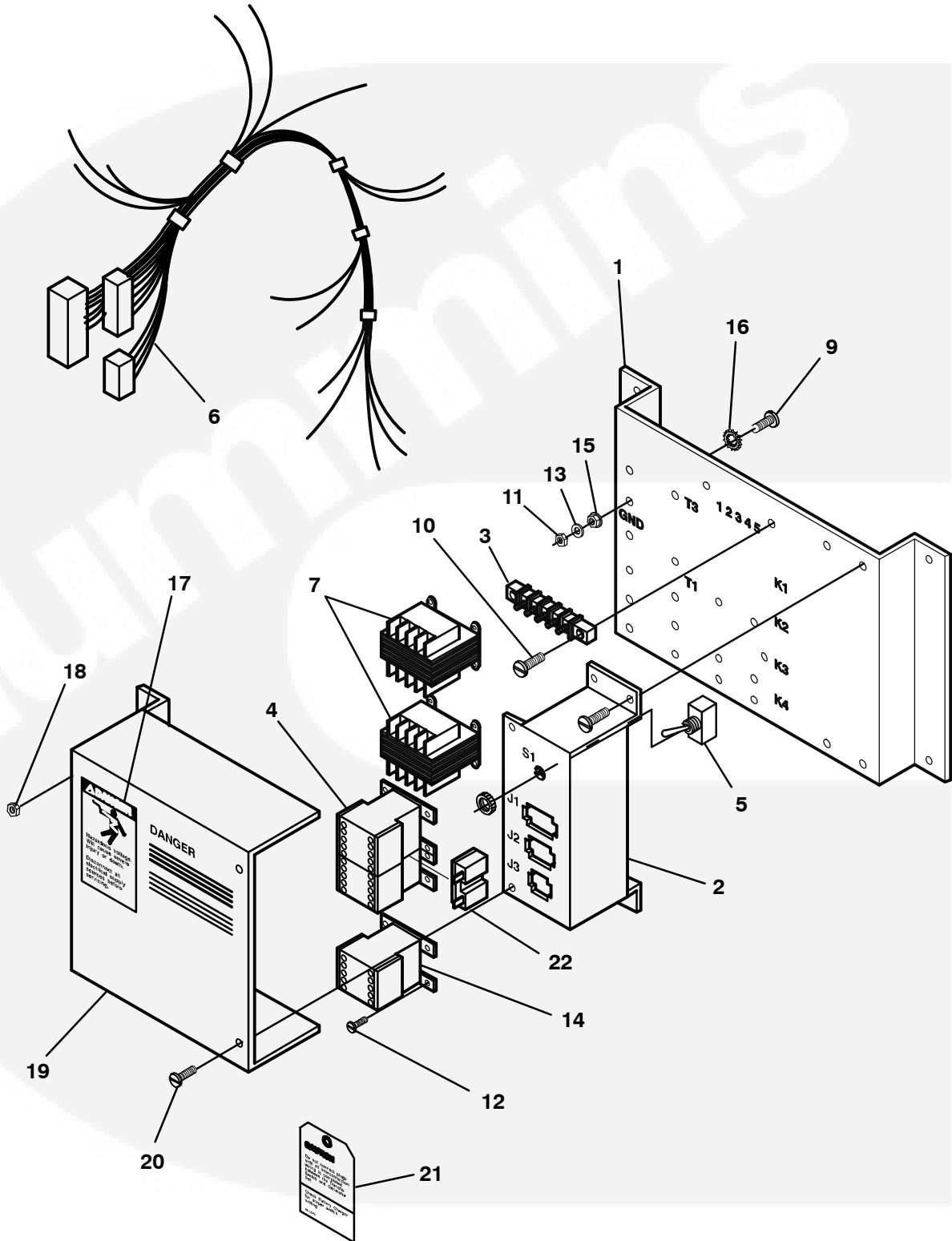
REF NO.	PART NO.	QTY USED	PART DESCRIPTION	REF NO.	PART NO.	QTY USED	PART DESCRIPTION
7			Transformer, Power (T1, T2)	9	810-0085	1	Screw, Machine – Round Head Brass (#8-32 x 1-1/8)
			60 Hertz	10	815-0539	2	Screw, Machine – Round Head W/IT (#8-32 x 5/8)
	315-0655-01	2	120 Volt, 1 Ph., 2 Wire	11	860-0008	1	Nut, Hex (#8-32)
	315-0655-02	2	120/240 Volt, 1 Ph., 3 Wire	12	815-0555	14	Screw, Pan Head – w/ET (#6-32 x 3/8)
	315-0655-02	2	120/208 Volt, 3 Ph., 4 Wire	13	526-0048	1	Washer, Flat (#8)
	315-0655-02	2	120/240 Volt, 3 Ph., 4 Wire	14	307-2648	2	#Relay, 4 Pole – 24 VAC (Load Shed from Emergency Only) (K2, K4)
	315-0655-02	2	240/480 Volt, 3 Ph., 4 Wire	15	870-0221	1	Nut, Lock – W/ET (#8-32)
	315-0655-02	2	220/380 Volt, 3 Ph., 4 Wire	16	856-0002	1	Washer, Lock – W/EIT (#8)
	315-0655-02	2	277/480 Volt, 3 Ph., 4 Wire	17	098-5387	5	Label, Danger
	315-0655-03	2	347/600 Volt, 3 Ph., 4 Wire	18	870-0131	6	Nut, Lock – W/ET (#10-32)
			50 Hertz	19	301-9961	1	Shield (Includes Label)
	315-0655-02	2	220 Volt, 1 Ph., 2 Wire		098-5699	1	Label
	315-0655-02	2	115/200 Volt, 1 Ph., 3 Wire	20	815-0544	8	Screw, Round Head – W/IT (#6-32 x 1/2)
	315-0655-03	2	220/380 Volt, 3 Ph., 4 Wire	21	098-5589	1	Label, Caution
	315-0655-02	2	120/208 Volt, 3 Ph., 4 Wire				
	315-0655-03	2	240/416 Volt, 3 Ph., 4 Wire				
8	821-0040	8	Screw, Flanged – Self-Locking (#10-32 x 5/16)				

* Load Shed Units use Reference #14

Note: If customer requests K2 Relay, If K4 filled, supply 307-2648. If not, supply 307-2575.



Accessory Control Plate (600 Volt Only)

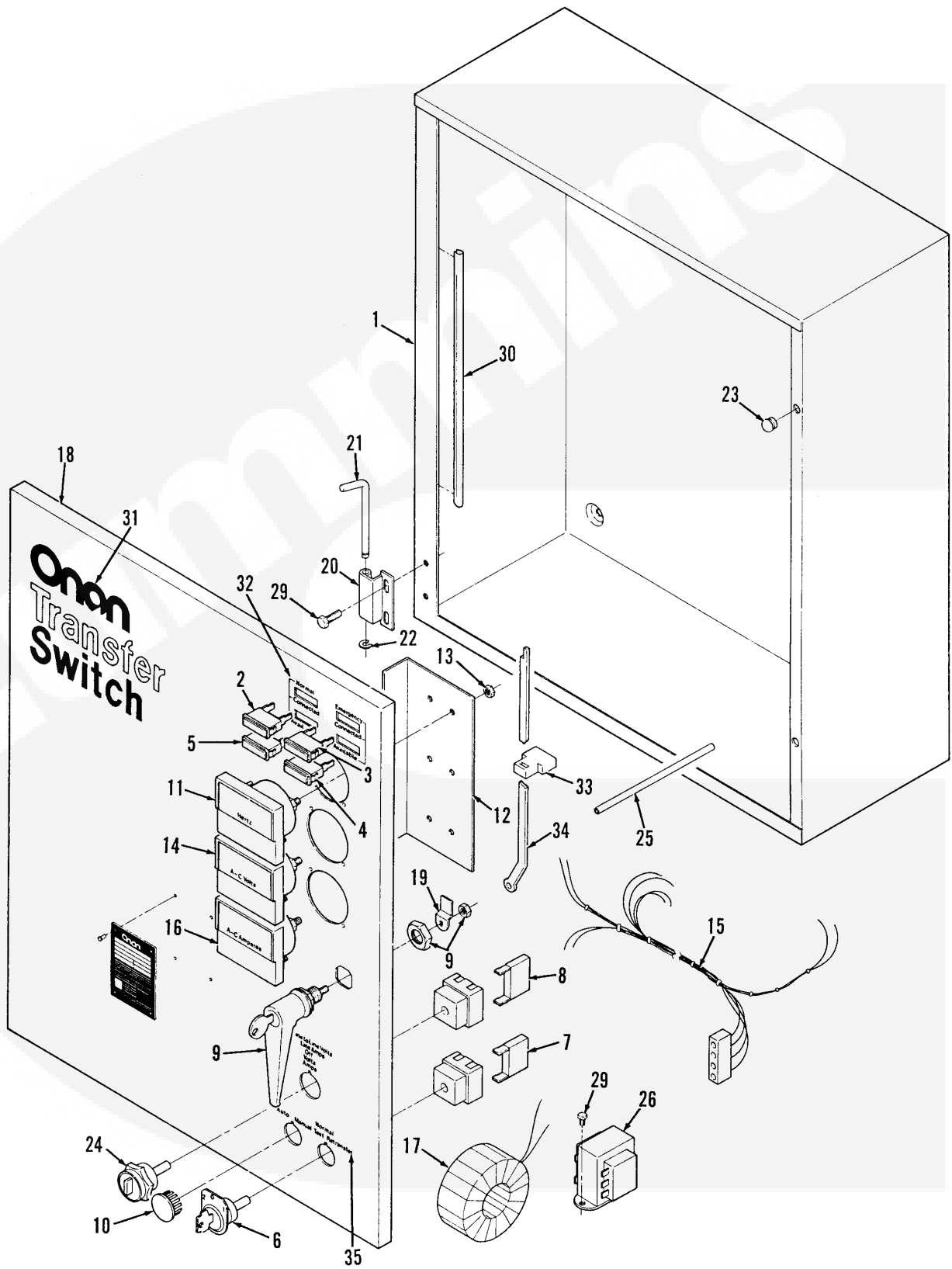


Accessory Control Plate (600 Volt Only)

REF NO.	PART NO.	QTY USED	PART DESCRIPTION	REF NO.	PART NO.	QTY USED	PART DESCRIPTION
1	319-0009	1	Plate (Includes Label)	11	860-0008	1	Nut, Hex (#8-32)
	098-5734	1	Label	12	815-0550	6	Screw, Pan Head - Cross Recessed w/ET (#6-32 x 3/8)
2	301-9774	1	Bracket (Includes Label)	13	526-0048	1	Washer, Flat (#8)
	098-5681	1	Label	14	307-2648	1	Relay, 4 Pole - 24 VAC (Load Shed from Emergency Only)
3	332-2884	1	Block, Terminal	15	870-0221	1	Nut, Lock - W/ET (#8-32)
4	307-2597	1	Contact, Interlocking (24 VAC)	16	856-0002	1	Washer, Lock - W/EIT (#8)
5	308-0406	1	Switch, Toggle (S1)	17	098-5387	5	Label, Danger
6			Harness, Wiring - Main (600 V) Standard	18	870-0131	6	Nut, Lock - W/ET (#10-32)
	338-2074	1	*Load Shed from Emergency	19	301-9961	1	Shield (Includes Label)
	338-2101	1	Non-Automatic		098-5699	1	Label
	338-2343	1		20	815-0544	8	Screw, Machine - Round Head W/IT (#6-32 x 1/2)
7	315-0655-04	2	Transformer, Power (T1, T2)	21	098-5589	1	Label, Caution
8	821-0040	8	Screw, Self-Locking - Flanged (#10-32 x 5/16)	22	307-2600-01	1	Block, Auxiliary
9	810-0085	1	Screw, Machine - Round Head (#8-32 x 1-1/8)		338-2913-01	1	Extension Harness, 48" Open Construction (Not Shown)
10	815-0538	2	Screw, Machine - Round Head Cross Recessed W/IT (#8-32 x 5/8)				

* Load Shed Units use Reference #14.

Door & Cabinet

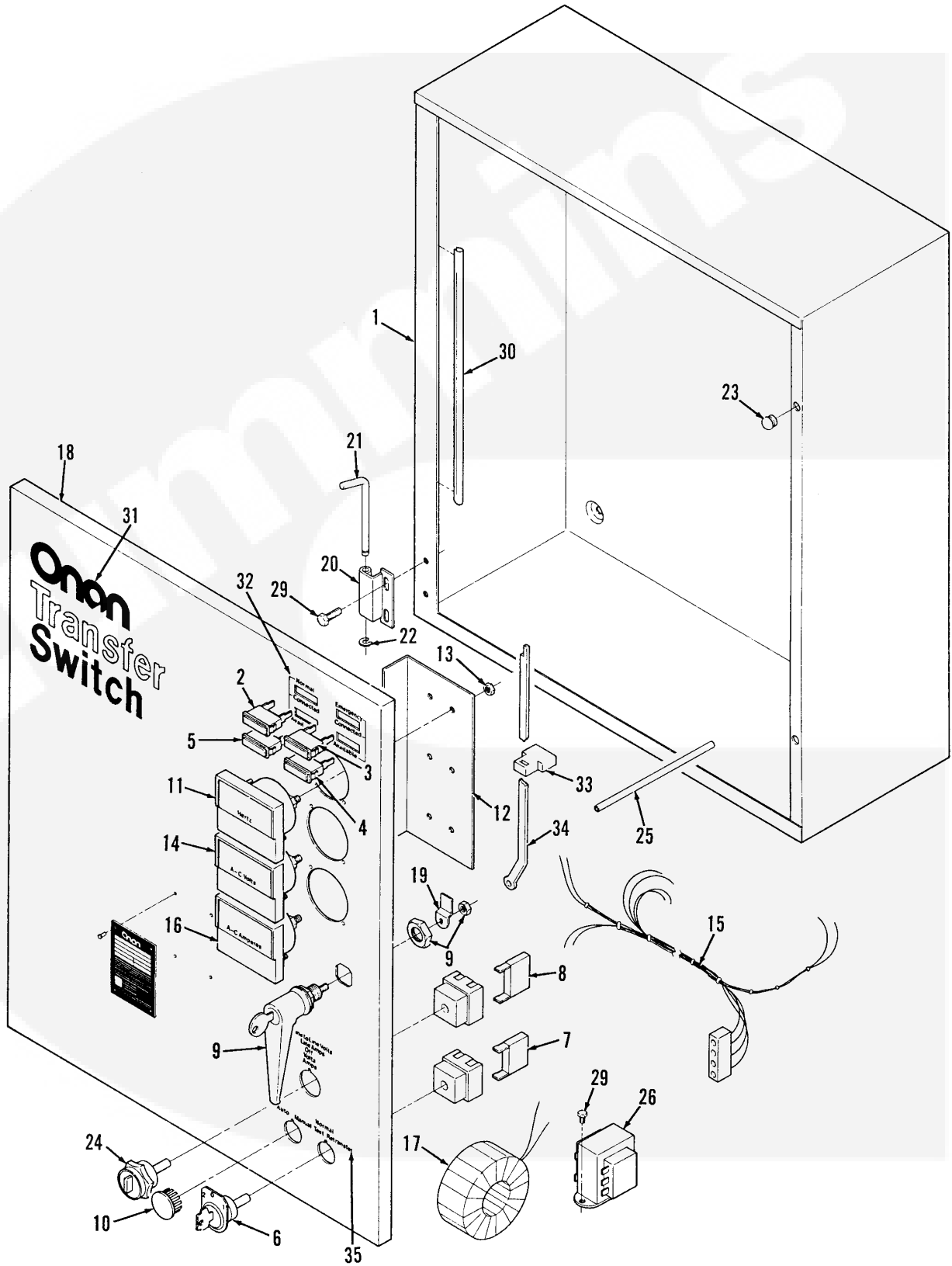


Door & Cabinet

REF NO.	PART NO.	QTY USED	PART DESCRIPTION	REF NO.	PART NO.	QTY USED	PART DESCRIPTION
1			Cabinet, Control		338-2136	1	120/240 Volt, 3 Ph., 4 Wire
	301-9773	1	NEMA 1				
	319-0382	1	NEMA 3R		338-2065	1	240/480 Volt, 3 Ph., 4 Wire
	319-0177	1	NEMA 4				
	319-0382-01	1	NEMA 12		338-2065	1	220/380 Volt, 3 Ph., 4 Wire
			Spec K				
	319-0383-01	1	NEMA 1		338-2065	1	277/480 Volt, 3 Ph., 4 Wire
	319-1104	1	NEMA 3R				
	319-1105	1	NEMA 4		338-2065	1	347/600 Volt, 3 Ph., 4 Wire
	319-1104-01	1	NEMA 12				
2	322-0170	1	Light, Indicating - Normal (Green)		338-2136	1	50 Hertz 220 Volt, 1 Ph., 2 Wire
3	322-0137	1	Light, Indicating - Emergency (Red)		338-2136	1	115/200 Volt, 1 Ph., 3 Wire
4	322-0387-02	1	Light, Indicating - Emergency Source Available (Clear)		338-2065	1	220/380 Volt, 3 Ph., 4 Wire
5	322-0168	1	Light, Indicating - Normal Source Available (Amber)		338-2136	1	120/208 Volt, 3 Ph., 4 Wire
6			Switch, Selector		338-2065	1	240/416 Volt, 3 Ph., 4 Wire
			Spec G & H				
	308-0848	1	NEMA 1		338-3203	1	Open Construction
	308-0849	1	Key, Replacement	16			Meter, Ampere
	308-0886	1	NEMA 3R		302-1805-04	1	300 Amp
	308-0988	1	Key, Replacement		302-1730	1	400 Amp
	308-1054	1	Fire Pump Switch		302-1731	1	600 Amp
	308-1055	1	Fire Pump Switch	17			Harness & Current Transformer
	308-0989	1	Key, Replacement				1 Phase
			Spec J				300 Amp
	308-0994	1	Utility to Genset		338-2204-07	1	400 Amp
	308-0991	1	Genset to Genset		338-2204-08	1	600 Amp
	308-0990	1	Utility to Utility		338-2204-09	1	3 Phase
7	308-0854	1	Block, Contact - N.C. (1 Phase)		338-2205-07	1	300 Amp
8	308-0850	1	Block, Contact - N.O. (1 Phase)		338-2205-08	1	400 Amp
9	406-0613	1	Handle, Keyed		338-2205-09	1	600 Amp
	406-0649	1	Key, Replacement	18			Door, Cabinet
10	517-0137	AR	Plug, Hole				NEMA 1
11	302-1992	1	Meter, Frequency (45-65 Hz.)		301-9770	1	With Meter Holes
12	306-3464	1	Shield, Meter		301-9832	1	Without Meter Holes
13	870-0439	6	Nut, Nylon				NEMA 3R
14			Meter, Volt - AC		319-0381-01	1	With Meter Holes
			60 Hertz		319-0381-02	1	Without Meter Holes
	302-1692	1	120 Volt, 1 Ph., 2 Wire				NEMA 4
	302-1175	1	120/240 Volt, 1 Ph., 3 Wire		319-0171-01	1	With Meter Holes
	302-1175	1	120/208 Volt, 3 Ph., 4 Wire		319-0171-02	1	Without Meter Holes
	302-1175	1	120/240 Volt, 3 Ph., 4 Wire				NEMA 12
	302-1711	1	240/480 Volt, 3 Ph., 4 Wire		319-0381-05	1	With Meter Holes
	302-1711	1	220/380 Volt, 3 Ph., 4 Wire		319-0381-06	1	Without Meter Holes
	302-1711	1	277/480 Volt, 3 Ph., 4 Wire				Spec K
	302-1710	1	347/600 Volt, 3 Ph., 4 Wire				NEMA 1
			50 Hertz		301-9770-01	1	With Meter Holes
	302-1175	1	220 Volt, 1 Ph., 2 Wire		301-9832-01	1	Without Meter Holes
	302-1175	1	115/200 Volt, 1 Ph., 3 Wire				NEMA 3R
	302-1711	1	220/380 Volt, 3 Ph., 4 Wire		319-0381-03	1	With Meter Holes
	302-1175	1	120/208 Volt, 3 Ph., 4 Wire		319-0381-04	1	Without Meter Holes
	302-1711	1	240/416 Volt, 3 Ph., 4 Wire				NEMA 4
15			Harness, Wiring - Meter		319-0171-03	1	With Meter Holes
			60 Hertz		319-0171-04	1	Without Meter Holes
	338-2135	1	120 Volt, 1 Ph., 2 Wire				NEMA 12
	338-2136	1	120/240 Volt, 1 Ph., 3 Wire		319-0381-05	1	With Meter Holes
	338-2136	1	120/208 Volt, 3 Ph., 4 Wire		319-0381-06	1	Without Meter Holes

Continued on next page.

Door & Cabinet (Continued)



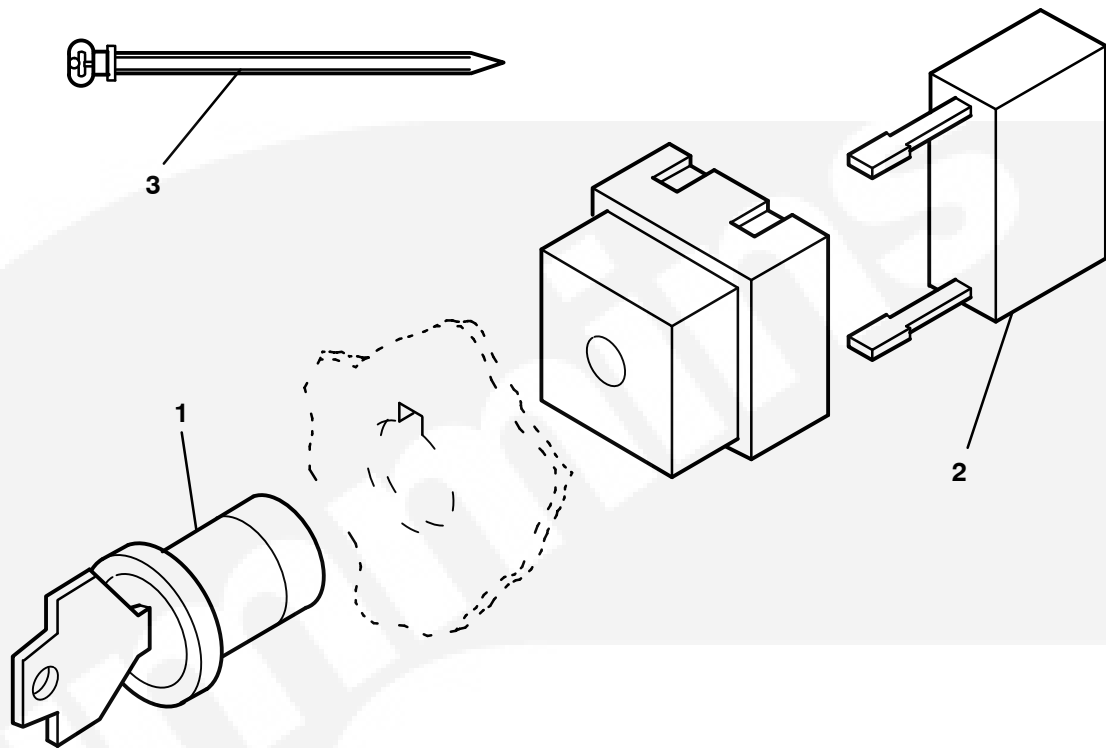
Door & Cabinet (Continued)

REF NO.	PART NO.	QTY USED	PART DESCRIPTION	REF NO.	PART NO.	QTY USED	PART DESCRIPTION
19	306-3466	1	Latch, Cam (NEMA 1)				(Not Illustrated)
20	406-0610-02	3	Hinge, Door	319-0145		1	**Cover, Meter (Not Illustrated)
	406-0909	3	Hinge, Door	319-0146		1	**Gasket, Cover - Meter (Not Illustrated)
21	406-0610-03	3	Pin, Hinge	318-0404		1	**Adhesive (Not Illustrated)
22	406-0610-04	3	Clip, Pin	508-0233	AR		**Washer, Rubber (Not Illustrated)
23	508-0231	3	Bumper	870-0386		16	Nut, Acorn (Not Illustrated)
24			Switch, Selector Phase				**Gasket, Door (Not Illustrated)
	308-0905	1	1 Phase	895-0293-07		2	23.82" Long
	308-0904	1	3 Phase	895-0293-08		2	51.08" Long
25	898-0778	1	Sleeving, Insulation	306-3525		1	**Latch, Cam - 3 Point (Not Illustrated)
26			Transformer, Stepdown (T3)				Washer, Flat (Not Shown) (Not Illustrated)
	315-0731	1	380/416 Volt	526-0022		7	
	315-0377	1	480-600 Volt	812-0177		8	Screw, Machine - Round Head (Not Illustrated)
29	821-0004	4	Screw, Lock (#10-32 x .31)				*Spring, Conical (Not Illustrated)
30	508-1045	2	Edging				*Bracket, Door (Not Illustrated)
31	098-5692	1	Label, Product ID	406-0519		8	Label, Warning (Not Illustrated)
32	098-5693	1	Label, Lamp	301-6727		8	**Plug, Hole (Not Illustrated)
33	306-3467	2	Guide, Rod	098-5777-01		1	**Shield, Meter (Not Illustrated)
34	306-3468-02	2	Roller, Rod	517-0266	AR		Nut, Acorn (Not Illustrated)
35			Label, Door	306-3464		1	Tag, Caution (Not Illustrated)
	098-5696	1	With Switch	870-0439		1	Paint, 13 oz. Spray Can (Green) (Not Illustrated)
	098-5697	1	Without Switch	098-5811		1	Label, Torque (Not Illustrated)
	098-5387	3	Label, Danger (Not Illustrated)	525-0305		1	
	870-0131	11	Nut, Hex (Not Illustrated)				
	301-9961	1	Shield (Includes Label) (Not Illustrated)	098-6367		1	
	332-2877	5	Tie, Cable (Not Illustrated)				
	870-0257	6	Nut, Lock (Not Illustrated)				
	815-0544	2	Screw, Machine - Round Head (Not Illustrated)				
	098-5589	1	Label, Caution (Not Illustrated)				
	332-1348	2	Spacer, Bar - Neutral				

NEMA 3R
* NEMA 4



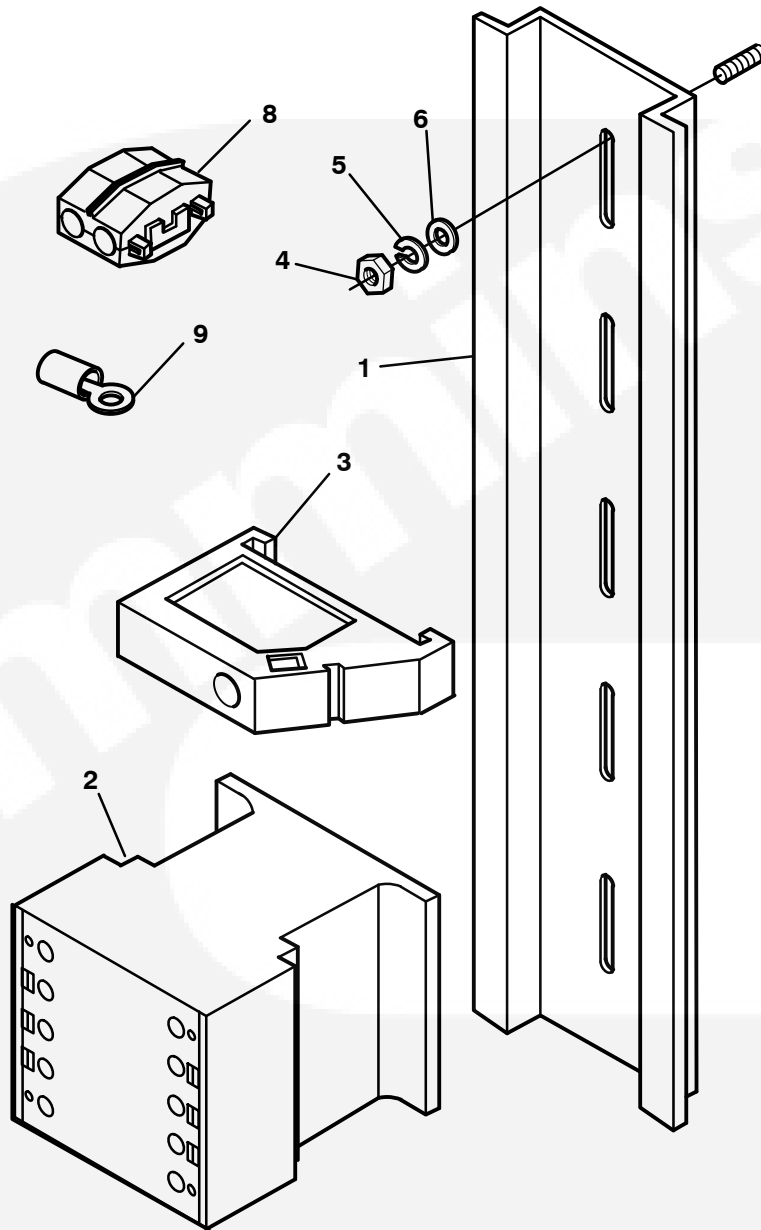
Auto/Manual Switch



REF NO.	PART NO.	QTY USED	PART DESCRIPTION	REF NO.	PART NO.	QTY USED	PART DESCRIPTION
1			Switch, Selector (S12) (Includes Key)	2	308-0850	1	Block, Contact - Normally Open
			Spec G & H	3			Tie, Cable
	308-0851	1	NEMA 1		332-0942	10	Units with Cabinet
	308-0849	1	Key		332-0941	10	Open Construction
	308-0886	1	NEMA 4		308-0955	1	*Switch, Selector (S14)
	308-0988	1	Key		308-0989	1	Key
			Spec J		307-2578	2	*Relay, Control
	308-0990	1	NEMA 1		815-0446	4	*Screw, Round Head - Cross Recessed w/IT (#8-32 x 1/2)
	308-0989	1	Key		332-0802	1	*Terminal, Ring (#8)
			Spec K		098-6561	1	*Label, Operation
	308-0994	1	NEMA 1		332-2420	2	*Mount, Tie - Cable
	308-0989	1	Key		098-6697	1	*Label, Switch
			Open Construction		532-0374	1	*Marker, Adhesive - Relay
	308-0990	1	Utility to Genset				
	308-0989	1	Key				
	308-0957	1	Utility to Utility				
	308-0989	1	Key				

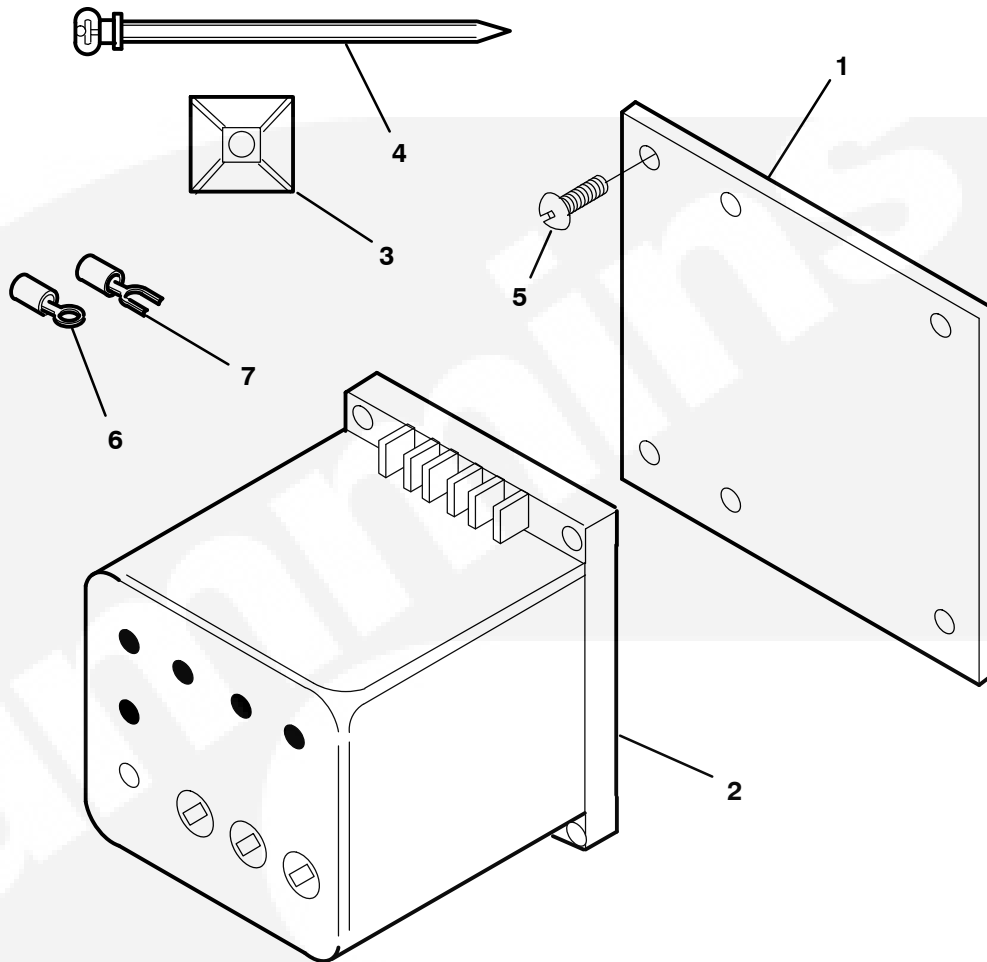
* Parts used on Open Construction Utility to Utility Only (Not Illustrated)

Auxiliary Relay



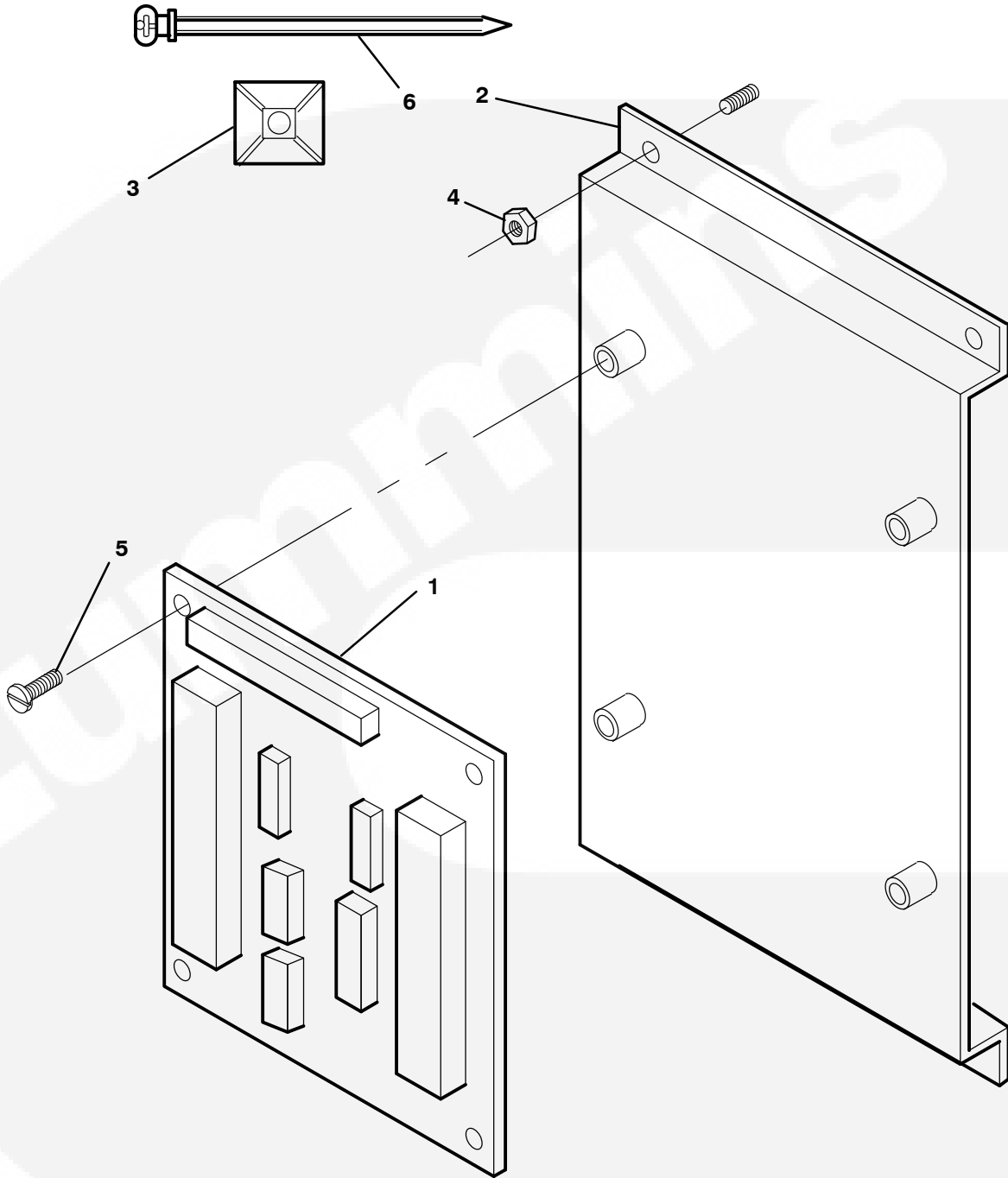
REF NO.	PART NO.	QTY USED	PART DESCRIPTION	REF NO.	PART NO.	QTY USED	PART DESCRIPTION
1	332-2879-02	1	Rail, Terminal	5	853-0005	2	Washer, Lock ET (#8)
2			Relay, Control	6	526-0003	2	Washer, Flat (#8)
	307-2578	1	24 VAC	7	334-1842	1	Wire, 16 AWG - 600V TEW (12") (Not Illustrated)
	307-2582	1	12 VDC	8	332-2230	1	Terminal, Tap - Plier
	307-2583	1	24 VDC	9	332-0802	1	Terminal, Ring (#8)
3	332-2878	2	Bracket, End				
4	860-0008	2	Nut, Hex (#8-32)				

Monitor



REF NO.	PART NO.	QTY USED	PART DESCRIPTION	REF NO.	PART NO.	QTY USED	PART DESCRIPTION
1	319-0976-00	1	Plate, Relay	4	332-0941	15	Tie, Cable
2			Relay, Monitor	5	815-0544	6	Screw, Round Head w/IT (#6-32 x 1/2)
	307-2840-02	1	240 VAC	6	332-0801	3	Terminal, Ring (#6)
	307-2840-03	1	380 VAC	7	332-2630	7	Terminal, Spade (#6)
	307-2840-04	1	480 VAC				
3	332-2420	5	Mount, Tie - Cable				

Sequencer



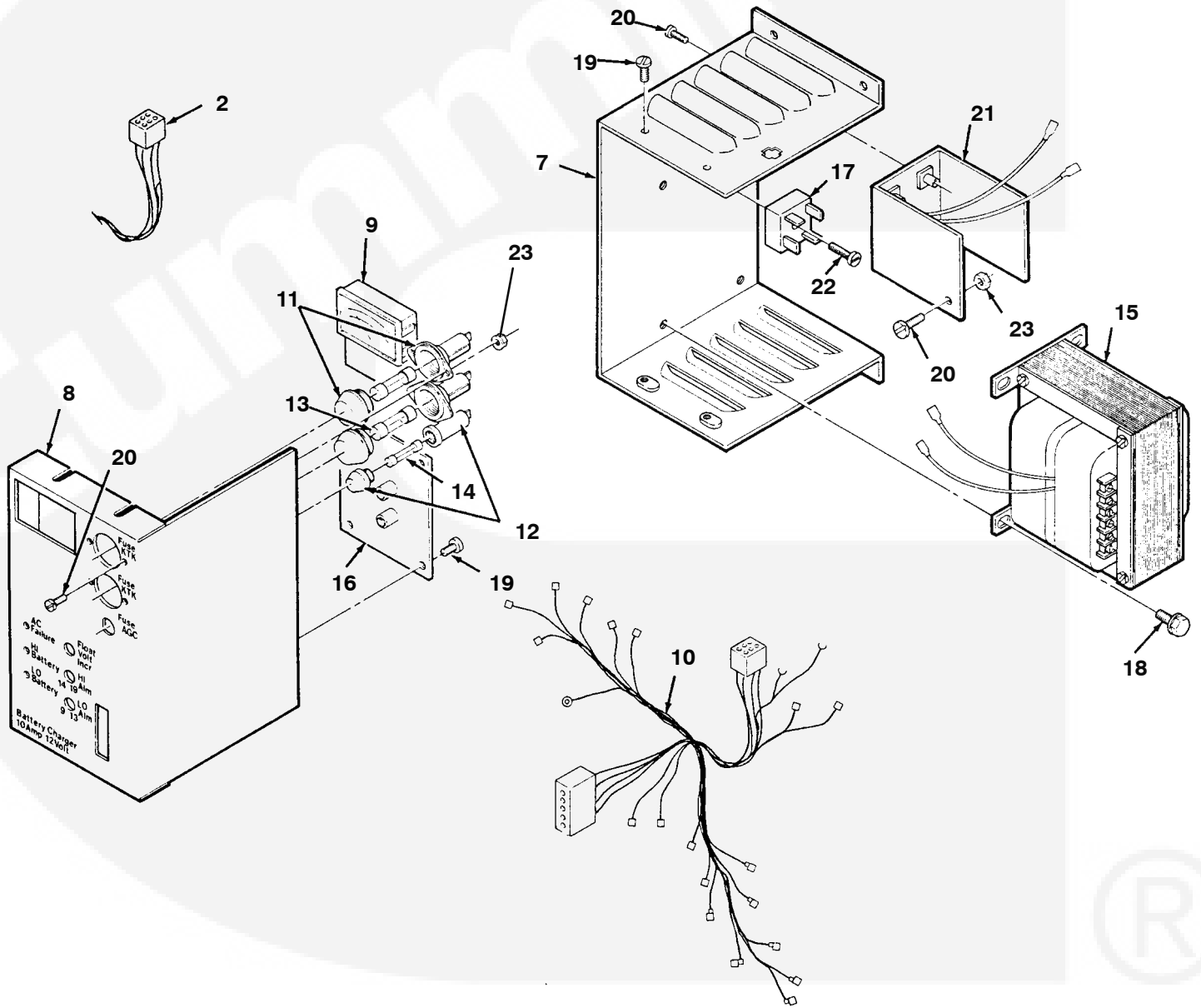
REF NO.	PART NO.	QTY USED	PART DESCRIPTION	REF NO.	PART NO.	QTY USED	PART DESCRIPTION
1	300-3893-01	1	Board, PC - Sequencer	4	870-0131	4	Nut, Hex w/ET (#10-32)
	300-3893-02	1	12 Volt	5	815-0550	4	Screw, Pan Head - Cross Recessed w/ET (#6-32 x 3/8)
			24 Volt				
2	319-1208	1	Plate, Mounting - Sequencer	6	332-0942	20	Tie, Cable
3	332-2420	10	Mount, Tie - Cable				

Battery Charger (2 Amp)

REF NO.	PART NO.	QTY USED	PART DESCRIPTION	REF NO.	PART NO.	QTY USED	PART DESCRIPTION
1			Harness, Wiring – Battery Charger	14	304-0037	1	Resistor, Fixed
	338-2161	1	Units with Cabinet Open Construction	15	304-0139	1	Resistor, Fixed
	338-2949	1	Genset to Genset	16	304-0015	4	Washer, Centering
	338-2161	1	Utility to Genset	17	813-0116	1	Screw, Round Head (#10-32 x 6-1/2)
	338-2983	1	3 Wire Start	18	813-0112	1	Screw, Round Head (#10-32 x 2-1/2)
2	870-0131	4	Nut, Lock W/ET (#10-32)	19	870-0131	2	Nut, Lock W/ET (#10-32)
3	332-2777	2	Terminal, Spade	20	815-0550	4	Screw, Pan Head W/ET (#6-32 x 3/8)
4	332-2420	8	Mount, Tie – Cable	21	815-0549	4	Screw, Pan Head W/ET (#6-32 x 1/4)
5	332-0942	20	Tie, Cable	22	821-0040	4	Screw, Lock (#10-32 x 5/16)
6	301-9990	1	Wrapper, Charger – Battery				
7	301-9992	1	Cover, Charger – Battery (Includes Label)				
	098-5708	1	Label				
8	302-0807	1	Meter, Ampere – DC				
9	338-2149	1	Harness, Wiring – Battery Charger				
10	321-0175	1	Holder, Fuse				
11	321-0153	1	Fuse, 3 Amp				
12	300-2946	1	Board, Printed Circuit – Battery Charger				
13			Transformer (Primary Voltage)				
			60 Hertz				
	315-0621-01	1	120 Volt				
	315-0621-02	1	208 Volt				
	315-0621-02	1	240 Volt				
	315-0621-03	1	380 Volt				
	315-0621-02	1	480 Volt				
	315-0621-04	1	600 Volt				
			50 Hertz				
	315-0621-02	1	200 Volt				
	315-0621-02	1	208 Volt				
	315-0621-02	1	220 Volt				
	315-0621-03	1	380 Volt				
	315-0621-03	1	416 Volt				

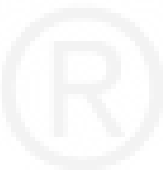


Battery Charger (10 Amp 12 Volt)

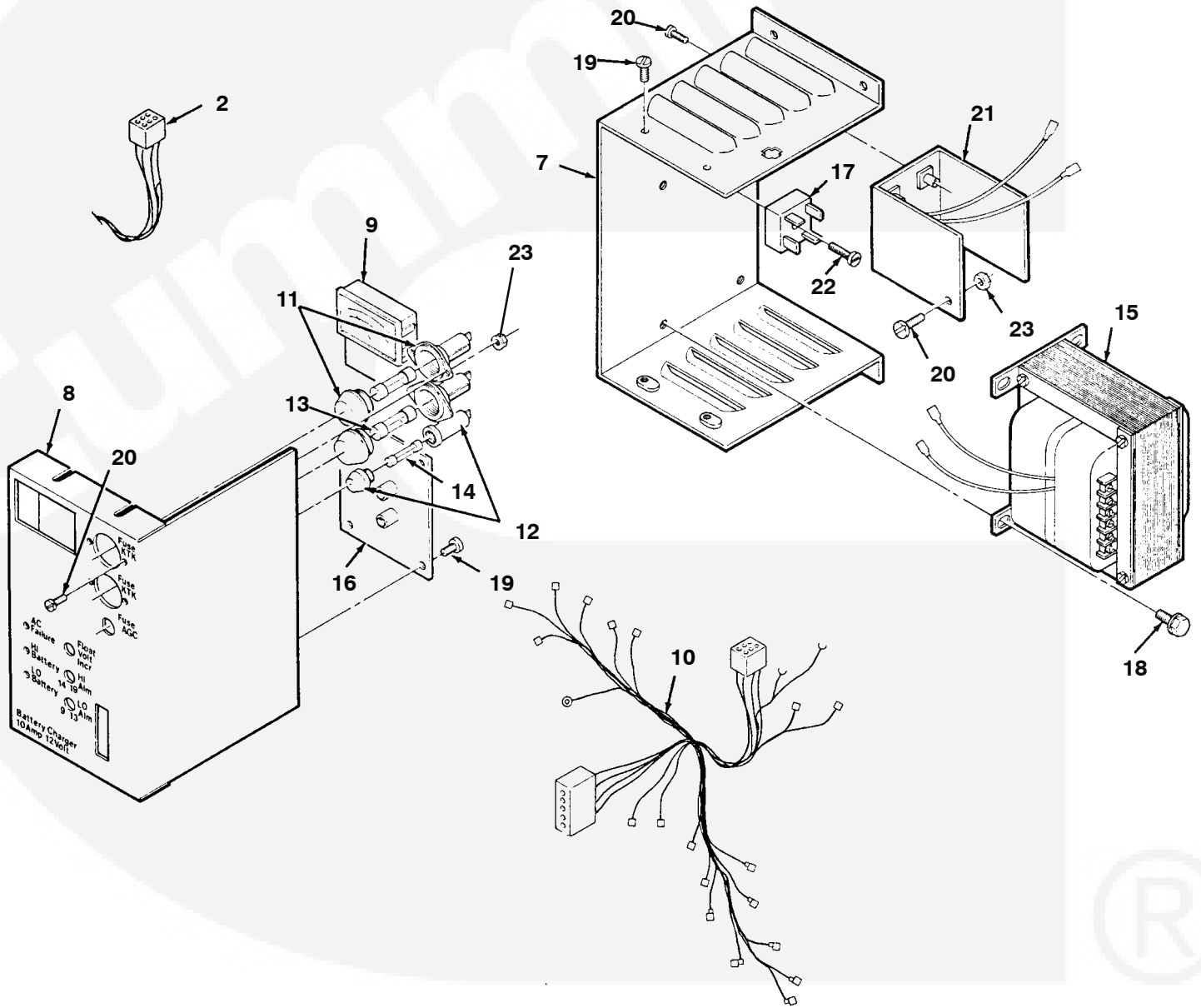


Battery Charger (10 Amp 12 Volt)

REF NO.	PART NO.	QTY USED	PART DESCRIPTION	REF NO.	PART NO.	QTY USED	PART DESCRIPTION
1	098-4339	1	Label, Option	14	321-0127	1	Fuse, 15 Amp
2			Harness, Wiring – Battery Charger	15			Transformer (Primary Voltage) 60 Hertz
	338-2161	1	Units with Cabinet		315-0665	1	120 Volt
			Open Construction		315-0665	1	208 Volt
	338-2949	1	Genset to Genset		315-0665	1	240 Volt
	338-2161	1	Utility to Genset		315-0671	1	380 Volt
	338-2983	1	3 Wire Start		315-0673	1	480 Volt
3	870-0131	4	Nut, Lock W/ET (#10-32)		315-0675	1	600 Volt
4	332-2777	2	Terminal, Spade				50 Hertz
5	332-2420	8	Mount, Tie – Cable		315-0667	1	200 Volt
6	332-0942	20	Tie, Cable		315-0669	1	220 Volt
7	319-0072	1	Wrapper, Charger – Battery		315-0677	1	240 Volt
8	319-0073	1	Cover, Charger – Battery		315-0679	1	347 Volt
			Label		315-0667	1	380 Volt
			500 Volt		315-0667	1	400 Volt
	098-5807	1	4.5 Amp		315-0669	1	416 Volt
	098-5808	1	2.5 Amp		315-0669	1	440 Volt
	098-5809	1	2.0 Amp	16	300-3160	1	Board, Printed Circuit – Battery Charger
	098-5995	1	1.5 Amp				
	098-5996	1	1.0 Amp	17	305-0653	1	Rectifier, Bridge
			600 Volt	18	821-0040	4	Screw, Lock (#10-32 x 5/16)
	098-6039	1	1.0 Amp	19	815-0550	8	Screw, Pan Head W/ET (#6-32 x 3/8)
9	302-1844	1	Meter, Ampere – DC				
10	338-2223	1	Harness, Wiring – Battery Charger	20	822-2048	5	Screw, Pan Head (#8-32 x 1/2)
			Holder, Fuse (AC Input)	21	305-0781	1	Rectifier, SCR
11	321-0237	2	Holder, Fuse (DC Output)	22	822-2049	1	Screw, Pan Head W/ET (#8-32 x 5/8)
12	321-0104	1	Fuse	23	870-0221	5	Nut, Lock W/ET (#8-32)
13			500 Volt	24	C-0308	1	Instruction Sheet
	321-0304-01	2	1.0 Amp				
	321-0304-02	2	1.5 Amp				
	321-0304-03	2	2.0 Amp				
	321-0304-04	2	2.5 Amp				
	321-0304-05	2	4.5 Amp				
			600 Volt				
	321-0236	2	1.0 Amp				

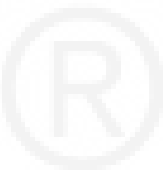


Battery Charger (10 Amp 24 Volt)

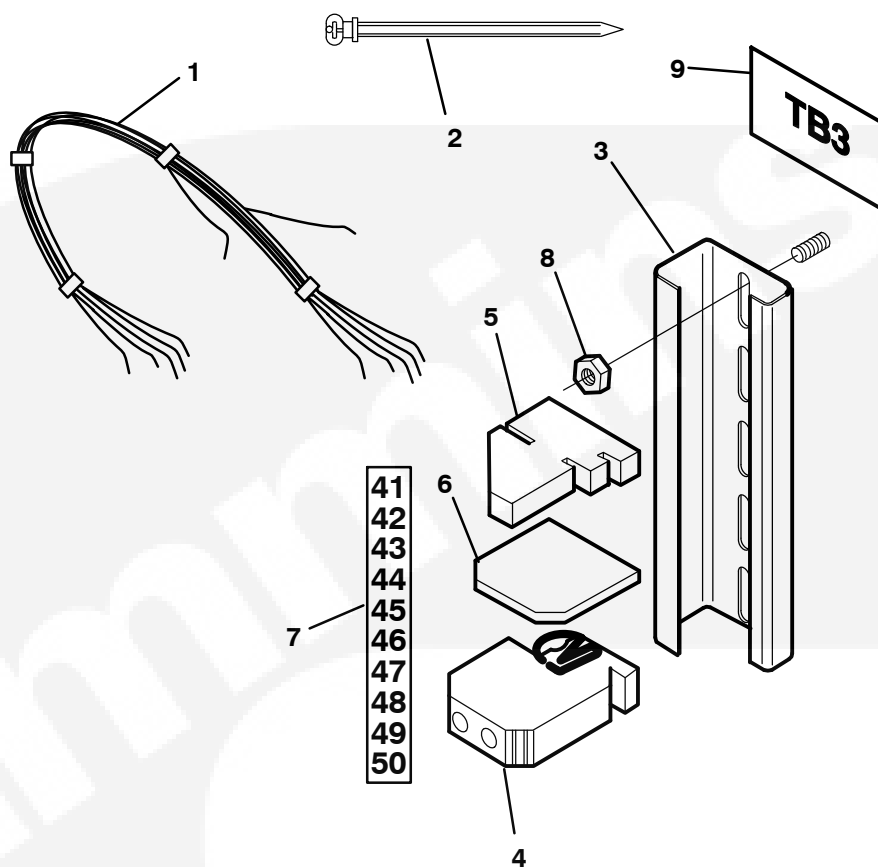


Battery Charger (10 Amp 24 Volt)

REF NO.	PART NO.	QTY USED	PART DESCRIPTION	REF NO.	PART NO.	QTY USED	PART DESCRIPTION
1	098-4339	1	Label, Option	14	321-0127	1	Fuse, 15 Amp
2			Harness, Wiring – Battery Charger	15			Transformer (Primary Voltage) 60 Hertz
	338-2161	1	Units with Cabinet		315-0701	1	120 Volt
			Open Construction		315-0701	1	208 Volt
	338-2949	1	Genset to Genset		315-0701	1	240 Volt
	338-2161	1	Utility to Genset		315-0707	1	380 Volt
	338-2983	1	3 Wire Start		315-0709	1	480 Volt
3	870-0131	4	Nut, Lock W/ET (#10-32)		315-0711	1	600 Volt
4	332-2777	2	Terminal, Spade				50 Hertz
5	332-2420	8	Mount, Tie – Cable		315-0703	1	200 Volt
6	332-0942	20	Tie, Cable		315-0705	1	220 Volt
7	319-0072	1	Wrapper, Charger – Battery		315-0713	1	240 Volt
8	319-0073	1	Cover, Charger – Battery		315-0715	1	347 Volt
			Label		315-0703	1	380 Volt
	098-5914	1	5.0 Amp		315-0703	1	400 Volt
	098-5915	1	4.5 Amp		315-0705	1	416 Volt
	098-5916	1	2.5 Amp		315-0705	1	440 Volt
	098-5997	1	2.0 Amp	16	300-3244	1	Board, Printed Circuit – Battery Charger
	098-5998	1	1.5 Amp				
9	302-1844	1	Meter, Ampere – DC	17	305-0653	1	Rectifier, Bridge
10	338-2223	1	Harness, Wiring – Battery Charger	18	821-0040	4	Screw, Lock (#10-32 x 5/16)
				19	815-0550	8	Screw, Pan Head W/ET (#6-32 x 3/8)
11	321-0237	2	Holder, Fuse (AC Input)				Screw, Pan Head (#8-32 x 1/2)
12	321-0104	1	Holder, Fuse (DC Output)	20	822-2048	5	Screw, Pan Head (#8-32 x 1/2)
13			Fuse	21	305-0781	1	Rectifier, SCR
	321-0304-02	2	1.5 Amp	22	822-2049	1	Screw, Pan Head W/ET (#8-32 x 5/8)
	321-0304-03	2	2.0 Amp				
	321-0304-04	2	2.5 Amp	23	870-0221	5	Nut, Lock W/ET (#8-32)
	321-0304-05	2	4.5 Amp	24	C-0308	1	Instruction Sheet
	321-0304-06	2	5.0 Amp				



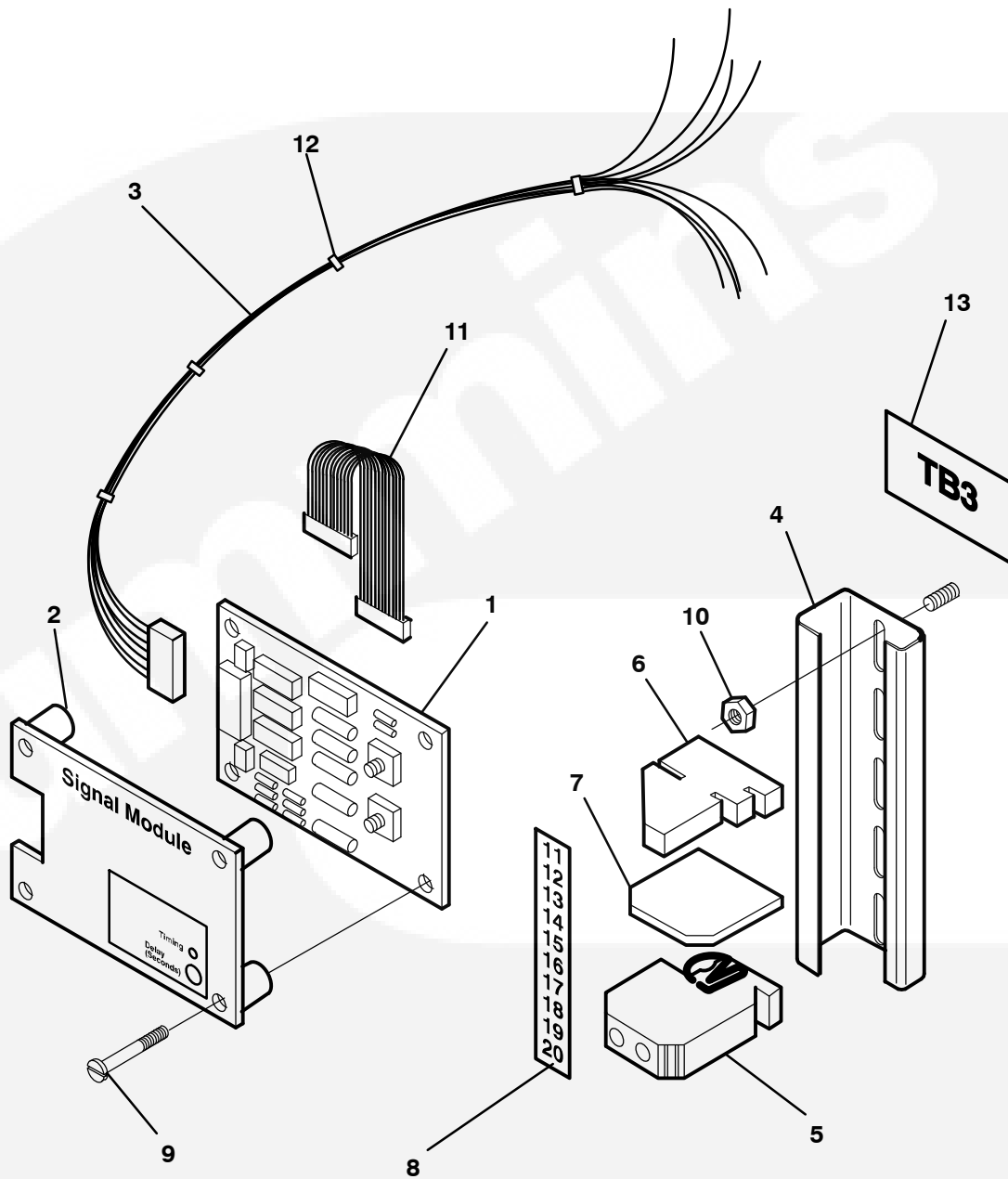
Battery Charger Alarm



REF NO.	PART NO.	QTY USED	PART DESCRIPTION	REF NO.	PART NO.	QTY USED	PART DESCRIPTION
1	338-2349	1	Harness, Wiring – Battery Charger Alarm	4	332-2836-02	1	Block, Terminal – Sectional
2	332-0942	20	Tie, Cable Units with Cabinets	5	332-2839	2	Bracket, End – Terminal
	332-0941	5	Open Construction	6	332-2841	1	Plate, End – Terminal
3	332-2837-09	1	Rail, Block – Terminal (Units with Cabinets Only)	7	332-2842-15	2	Tag, Terminal (41-50)
				8	870-0221	2	Nut, Hex w/ET (#8-32) (Units with Cabinets Only)

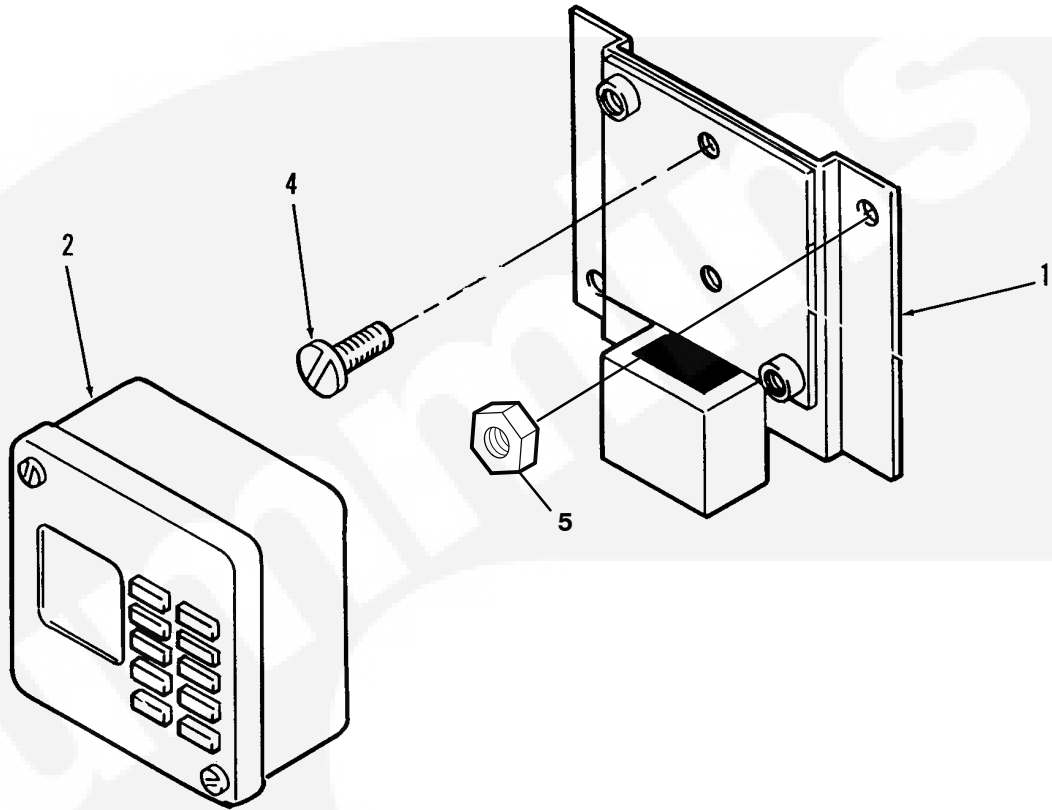


Elevator Signal



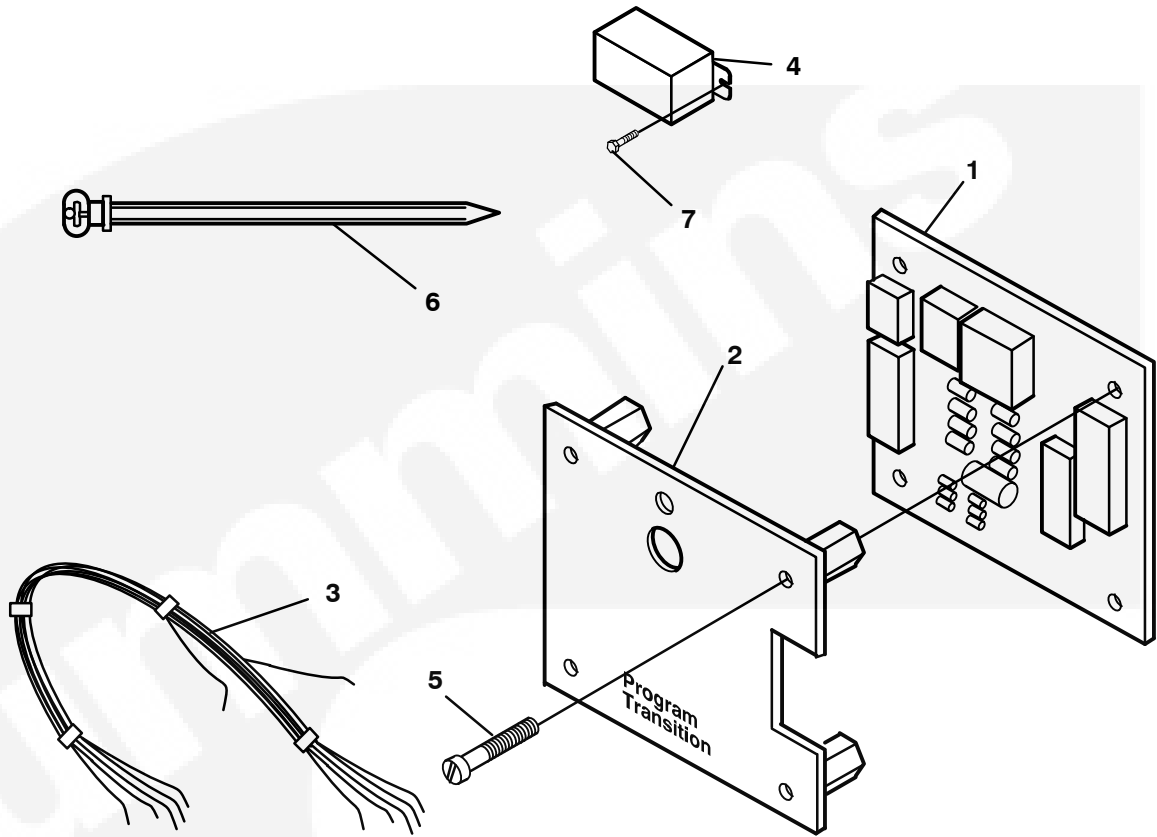
REF NO.	PART NO.	QTY USED	PART DESCRIPTION	REF NO.	PART NO.	QTY USED	PART DESCRIPTION
1	300-3096	1	Board, Printed Circuit - Elevator Signal (Includes Fuses)	7	332-2841	1	Plate, End - Terminal
	321-0174	5	Fuse, 5 Amp 250 Volt (F1-F5)	8	332-2842-12	2	Tag, Terminal Spec G (11-20)
2	301-9932	1	Cover, Signal - Elevator (Includes Label)		332-2842-13	2	Tag, Terminal Spec H & J (21-30)
3			Harness, Wiring - Elevator Signal	9	815-0680	4	Screw, Pan Head Recessed W/ET (#6-32 x 1)
	338-2141	1	Spec G	10	870-0221	2	Nut, Lock W/ET (#8-32)
	338-2140	1	Spec H & J	11	323-1409	1	Pin and Ribbon Assembly
4	332-2837-09	1	Rail, Terminal	12	332-0942	10	Tie, Cable
5	332-2836-02	2	Block, Terminal - Sectional	13	098-5710	1	Label, Block - Terminal
6	332-2839	2	Bracket, End - Terminal	14	332-2842-13	2	Tag, Terminal (21-30) (Not Shown)

Exerciser Clock (Except Open Construction)



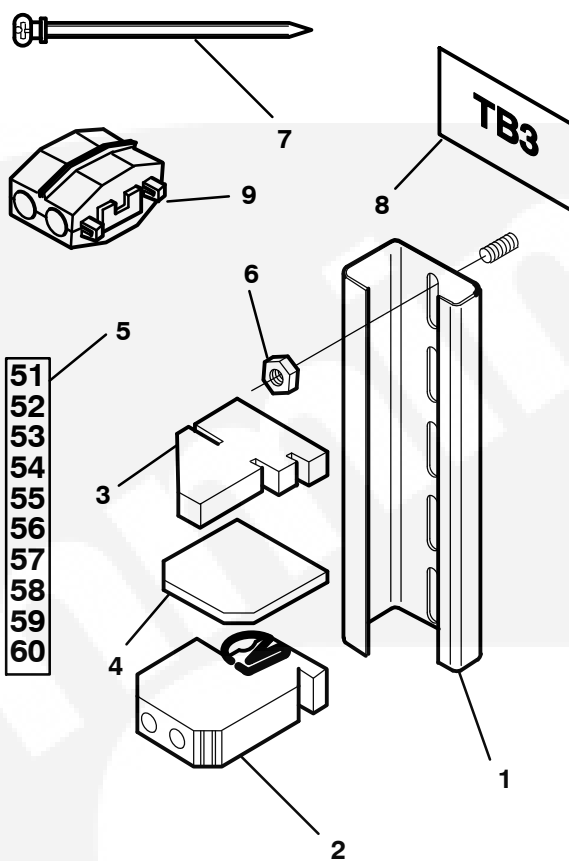
REF NO.	PART NO.	QTY USED	PART DESCRIPTION	REF NO.	PART NO.	QTY USED	PART DESCRIPTION
1	301-9768	1	Plate, Clock - Exerciser	4	815-0550	2	Screw, Machine - Round Head - Cross Recessed W/ET (#6-32 x 3/8)
2	307-2577	1	Clock, Exerciser	5	870-0131	2	Nut, Lock W/ET (#10-32)
3	332-0942	10	Tie, Cable				

Programmed Transition



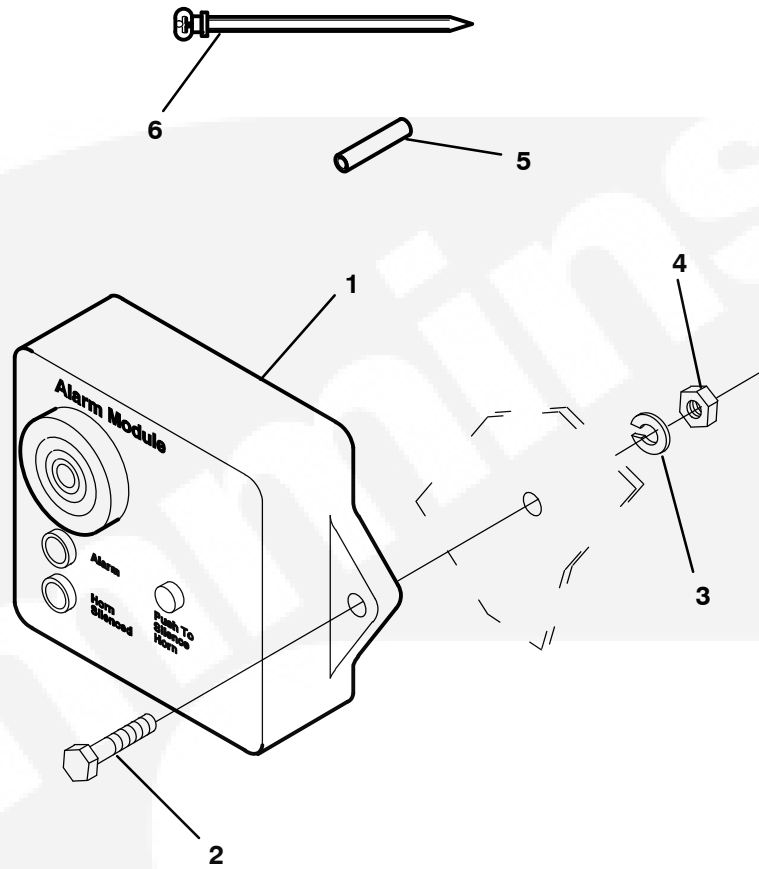
REF NO.	PART NO.	QTY USED	PART DESCRIPTION	REF NO.	PART NO.	QTY USED	PART DESCRIPTION
1			Board, Printed Circuit – Programmed Transition	4	307-2591	1	Relay, Programmed Transition (K3) 24 VDC
	300-3115-01	1	07.5 Seconds	5	815-0680	4	Screw, Machine – Pan Head Cross Recessed W/ET (#6-32 x 1)
	300-3115-02	1	60.0 Seconds				
2			Cover, Programmed Transition (Includes Silkscreen)	6	332-0942	8	Tie, Cable
	301-9928-01	1	07.5 Seconds	7	815-0550	2	Screw, Pan Head – Recessed W/ET (#6-32 x 3/8)
	301-9928-02	1	60 Seconds				
3	338-2139	1	Harness, Wiring – Programmed Transition				

Remote Connection Signal



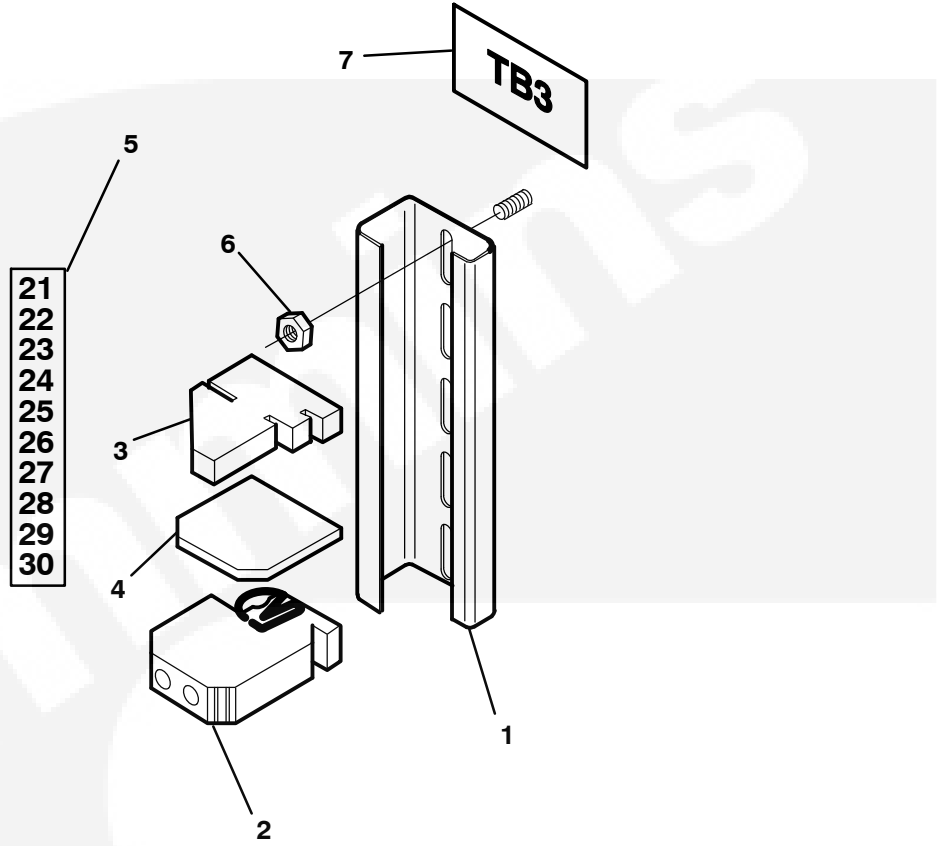
REF NO.	PART NO.	QTY USED	PART DESCRIPTION	REF NO.	PART NO.	QTY USED	PART DESCRIPTION
1	332-2837-09	1	Rail, Terminal	6	870-0221	2	Nut, Hex w/ET (#8-32)
2	332-2836-01	2	Block, Terminal - Sectional	7	332-0942	10	Tie, Cable
3	332-2839	2	Bracket, End - Terminal	8	098-5710	1	Label, Block - Terminal
4	332-2841	1	Plate, End - Terminal	9	332-2230	2	Terminal, Tap - Plier
5	332-2842-16	2	Tag, Terminal (51-60)				

Alarm Module



REF NO.	PART NO.	QTY USED	PART DESCRIPTION	REF NO.	PART NO.	QTY USED	PART DESCRIPTION
1	300-3998-01	1	Module, Alarm	4	862-0001	2	Nut, Hex (1/4-20)
	300-3998-02	1	24 Volt AC or DC	5	332-2230	2	Splice, Inline (22-18 Wire)
			12 VDC	6	332-0942	3	Tie, Cable
2	800-0006	2	Screw, Cap - Hex Head (1/4-20 x 7/8)	7	539-1344	1	Template, Module - Alarm (Not Illustrated)
3	850-0040	2	Washer, Lock (1/4)				

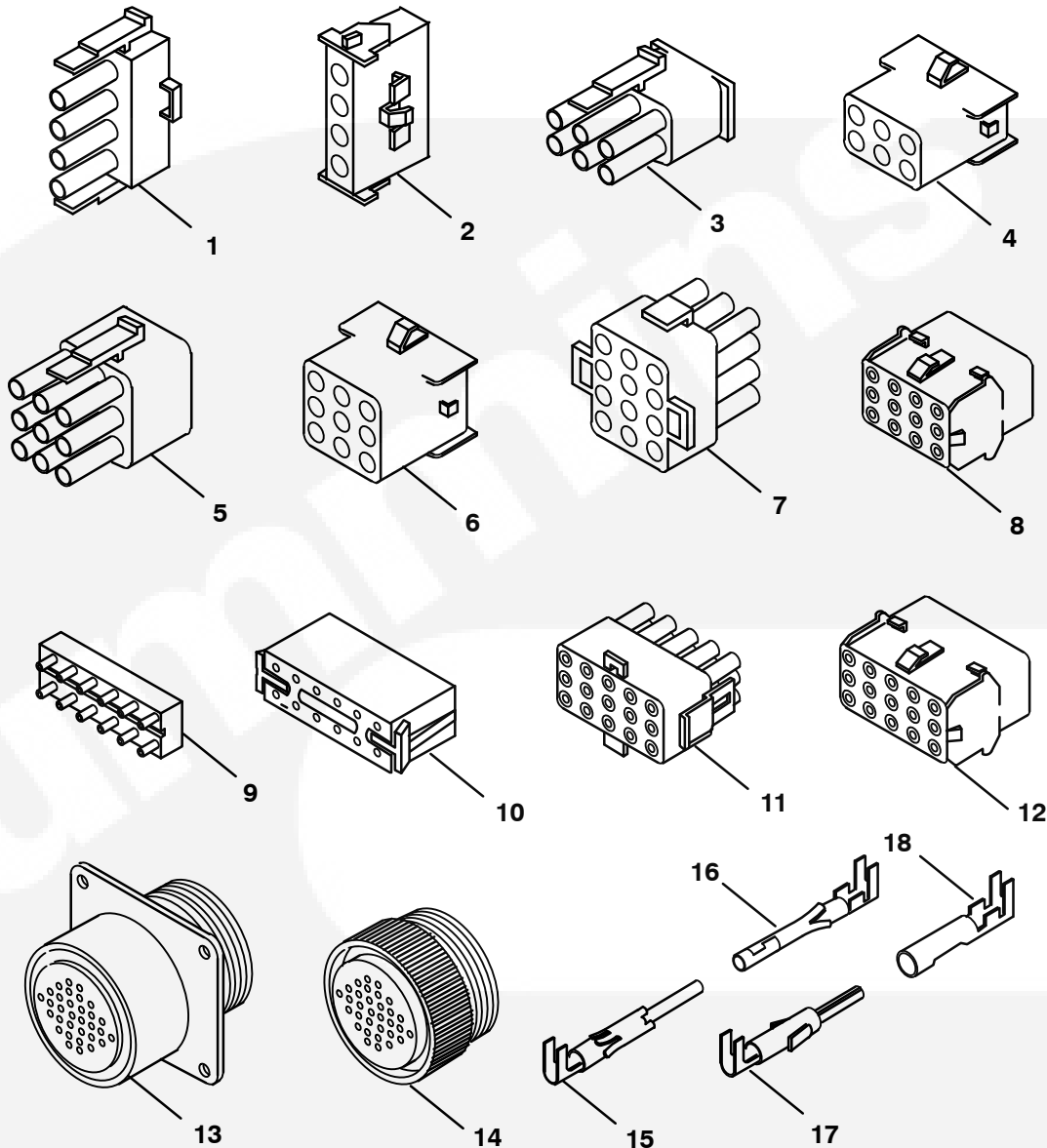
Load Shed



REF NO.	PART NO.	QTY USED	PART DESCRIPTION	REF NO.	PART NO.	QTY USED	PART DESCRIPTION
1	332-2837-09	1	*Rail, Terminal	6	870-0221	2	*Nut, Hex w/ET (#8-32)
2	332-2836-01	2	Block, Terminal - Sectional	7	098-5710	1	*Label, Block - Terminal
3	332-2839	2	Bracket, End - Terminal				
4	332-2841	1	Plate, End - Terminal				
5	332-2842-13	2	Tag, Terminal (21-30)				

* Not used with Open Construction

Pins and Sockets



REF NO.	PART NO.	QTY USED	PART DESCRIPTION	REF NO.	PART NO.	QTY USED	PART DESCRIPTION
1	323-1292	1	Housing, Pin - 4	16	323-1195	1	Socket, Contact (Used with Circular Housings) (18-14 AWG)
2	323-1333	1	Housing, Socket - 4	17	323-1199	1	Pin, Contact (Used with Rectangular Housings) (20-14 AWG)
3	323-1317	1	Housing, Pin - 6	18	323-1200	1	Socket, Contact (Used with Rectangular Housings) (20-14 AWG)
4	323-1318	1	Housing, Socket - 6				Strain Relief (Not Illustrated)
5	323-1291	1	Housing, Pin - 9		323-1158	1	15 Pin
6	323-1325	1	Housing, Socket - 9		323-1316	1	12 Pin
7	323-1314	1	Housing, Pin - 12		323-1208	1	9 Pin
8	323-1315	1	Housing, Socket - 12				
9	323-0983	1	Housing, Pin - 12				
10	323-0984	1	Housing, Socket - 12				
11	323-1252	1	Housing, Pin - 15				
12	323-1253	1	Housing, Socket - 15				
13	323-1207	1	Housing, Pin - 24				
14	323-1206	1	Housing, Socket - 24				
15	323-1194	1	Pin, Contact (Used with Circular Housings) (18-14 AWG)				

Numerical Index

<u>Part No.</u>	<u>Page</u>	<u>Part No.</u>	<u>Page</u>	<u>Part No.</u>	<u>Page</u>	<u>Part No.</u>	<u>Page</u>
098-4339, 44 , 46		300-3118, 26		304-0037, 42		306-3420, 22	
098-5387, 30 , 32 , 36		300-3119, 26		304-0139, 42		306-3422, 21	
098-5589, 30 , 32 , 36		300-3121, 26		305-0653, 44 , 46		306-3423, 18	
098-5624-01, 14		300-3160, 44		305-0781, 44 , 46		306-3424, 14	
098-5661, 26		300-3244, 46		306-0382, 18 , 21		306-3425-01, 14 , 18	
098-5680, 28		300-3261, 26		306-0384, 18 , 21		306-3425-02, 14 , 18	
098-5681, 28 , 32		300-3267, 26		306-0509, 18		306-3427-01, 14 , 18	
098-5692, 36		300-3893-01, 40		306-0510, 18		306-3427-02, 14 , 18	
098-5693, 36		300-3893-02, 40		306-1341, 23		306-3428, 16	
098-5696, 36		300-3953-01, 26		306-1342, 23		306-3429, 14	
098-5697, 36		300-3998-01, 53		306-1372, 20 , 23		306-3464, 34 , 36	
098-5699, 30 , 32		300-3998-02, 53		306-2340, 14		306-3466, 36	
098-5708, 42		300-4275, 26		306-3030, 18 , 21		306-3467, 36	
098-5710, 48 , 49 , 52 , 54		300-4276-01, 26		306-3031, 21		306-3468-02, 36	
098-5734, 32		300-4276-02, 26		306-3032, 21		306-3470, 26	
098-5766, 26		301-6727, 36		306-3097, 21		306-3472, 14	
098-5773, 28		301-9754, 28		306-3099, 16		306-3488-01, 8	
098-5777-01, 36		301-9768, 50		306-3104, 21		306-3488-03, 8	
098-5807, 44		301-9770, 34		306-3105, 21		306-3488-04, 8	
098-5808, 44		301-9770-01, 34		306-3106, 21		306-3488-05, 8	
098-5809, 44		301-9773, 34		306-3107, 18		306-3488-06, 8	
098-5811, 36		301-9774, 28 , 32		306-3109, 14		306-3488-07, 8	
098-5914, 46		301-9832, 34		306-3111, 14		306-3489-01, 8	
098-5915, 46		301-9832-01, 34		306-3112, 14		306-3489-03, 8	
098-5916, 46		301-9928-01, 51		306-3114, 14		306-3489-04, 8	
098-5995, 44		301-9928-02, 51		306-3115, 14		306-3489-05, 8	
098-5996, 44		301-9932, 49		306-3127, 16		306-3489-06, 8	
098-5997, 46		301-9961, 30 , 32 , 36		306-3391, 22		306-3489-07, 8	
098-5998, 46		301-9990, 42		306-3400-02, 14		306-3490-01, 10	
098-6039, 44		301-9992, 42		306-3410, 21		306-3490-03, 10	
098-6367, 36		302-0807, 42		306-3411, 21		306-3490-04, 10	
098-6561, 37		302-1175, 34		306-3412, 21		306-3490-05, 10	
098-6697, 37		302-1692, 34		306-3413, 21		306-3490-06, 10	
300-2946, 42		302-1710, 34		306-3414-01, 20 , 21		306-3490-07, 10	
300-3092, 26		302-1711, 34		306-3414-02, 18 , 21		306-3491-01, 8	
300-3093-01, 26		302-1730, 34		306-3414-03, 20 , 21		306-3491-03, 8	
300-3093-02, 26		302-1731, 34		306-3414-04, 18 , 21		306-3491-04, 8	
300-3094, 26		302-1805-04, 34		306-3415, 18		306-3491-05, 8	
300-3096, 49		302-1844, 44 , 46		306-3416, 18		306-3491-06, 8	
300-3115-01, 51		302-1992, 34		306-3417, 18 , 22		306-3491-07, 8	
300-3115-02, 51		304-0015, 42		306-3418, 16		306-3492-01, 8	

Numerical Index

<u>Part No.</u>	<u>Page</u>	<u>Part No.</u>	<u>Page</u>	<u>Part No.</u>	<u>Page</u>	<u>Part No.</u>	<u>Page</u>
306-3492-03,	8	306-3513-05,	12	309-0393,	22	319-0177,	34
306-3492-04,	8	306-3513-06,	12	312-0204,	16	319-0381-01,	34
306-3492-05,	8	306-3513-07,	12	312-0205,	16	319-0381-02,	34
306-3492-06,	8	306-3514-01,	12	312-0206,	16	319-0381-04,	34
306-3492-07,	8	306-3514-03,	12	312-0218,	16	319-0381-05,	34
306-3493-01,	10	306-3514-04,	12	312-0239,	16	319-0381-06,	34
306-3493-03,	10	306-3514-05,	12	315-0377,	36	319-0382,	34
306-3493-04,	10	306-3514-06,	12	315-0621-01,	42	319-0382-01,	34
306-3493-05,	10	306-3514-07,	12	315-0621-02,	42	319-0383-01,	34
306-3493-06,	10	306-3525,	36	315-0621-03,	42	319-0976-00,	39
306-3493-07,	10	306-3901,	21	315-0621-04,	42	319-1104,	34
306-3505,	18	307-2575,	28	315-0655-01,	30	319-1104-01,	34
306-3506,	14 , 18	307-2577,	50	315-0655-02,	30	319-1105,	34
306-3507,	14 , 18	307-2578,	37 , 38	315-0655-03,	30	319-1208,	40
306-3509-01,	10	307-2582,	38	315-0655-04,	32	320-0608,	14
306-3509-03,	10	307-2583,	38	315-0665,	44	320-0609,	14
306-3509-04,	10	307-2591,	51	315-0667,	44	320-0611,	14
306-3509-05,	10	307-2597,	32	315-0669,	44	320-0613,	14
306-3509-06,	10	307-2600-01,	32	315-0671,	44	321-0104,	44 , 46
306-3509-07,	10	307-2648,	30 , 32	315-0673,	44	321-0127,	44 , 46
306-3510-01,	12	307-2840-02,	39	315-0675,	44	321-0153,	42
306-3510-03,	12	307-2840-03,	39	315-0677,	44	321-0174,	49
306-3510-04,	12	307-2840-04,	39	315-0679,	44	321-0175,	42
306-3510-05,	12	308-0406,	28 , 32	315-0701,	46	321-0236,	44
306-3510-06,	12	308-0848,	34	315-0703,	46	321-0237,	44 , 46
306-3510-07,	12	308-0849,	34 , 37	315-0705,	46	321-0304-01,	44
306-3511-01,	12	308-0850,	34 , 37	315-0707,	46	321-0304-02,	44 , 46
306-3511-03,	12	308-0851,	37	315-0709,	46	321-0304-03,	44 , 46
306-3511-04,	12	308-0854,	34	315-0711,	46	321-0304-04,	44 , 46
306-3511-05,	12	308-0886,	34 , 37	315-0713,	46	321-0304-05,	44 , 46
306-3511-06,	12	308-0904,	36	315-0715,	46	321-0304-06,	46
306-3511-07,	12	308-0905,	36	315-0731,	36	322-0137,	34
306-3512-01,	10	308-0955,	37	318-0404,	36	322-0168,	34
306-3512-03,	10	308-0957,	37	319-0009,	32	322-0170,	34
306-3512-04,	10	308-0988,	34 , 37	319-0072,	44 , 46	322-0387-02,	34
306-3512-05,	10	308-0989,	34 , 37	319-0073,	44 , 46	323-0983,	55
306-3512-06,	10	308-0990,	34 , 37	319-0145,	36	323-0984,	55
306-3512-07,	10	308-0991,	34	319-0146,	36	323-1158,	55
306-3513-01,	12	308-0994,	34 , 37	319-0171-01,	34	323-1194,	55
306-3513-03,	12	308-1054,	34	319-0171-02,	34	323-1195,	55
306-3513-04,	12	308-1055,	34	319-0171-04,	34	323-1199,	55

Numerical Index

<u>Part No.</u>	<u>Page</u>	<u>Part No.</u>	<u>Page</u>	<u>Part No.</u>	<u>Page</u>	<u>Part No.</u>	<u>Page</u>
323-1200, 55		332-2837-09, 47 , 49 , 52 , 54		338-2913-01, 32		812-0177, 36	
323-1206, 55		332-2839, 47 , 49 , 52 , 54		338-2949, 42 , 44 , 46		813-0112, 42	
323-1207, 55		332-2841, 47 , 49 , 52 , 54		338-2983, 42 , 44 , 46		813-0116, 42	
323-1208, 55		332-2842-12, 49		338-3203, 34		813-0142, 18 , 21	
323-1252, 55		332-2842-13, 49 , 54		338-3231, 28		815-0029, 16	
323-1253, 55		332-2842-15, 47		406-0519, 36		815-0157, 20 , 21	
323-1291, 55		332-2842-16, 52		406-0610-02, 36		815-0285, 21 , 24	
323-1292, 55		332-2877, 36		406-0610-03, 36		815-0446, 37	
323-1314, 55		332-2878, 38		406-0610-04, 36		815-0485, 20	
323-1315, 55		332-2879-02, 38		406-0613, 34		815-0538, 32	
323-1316, 55		332-2884, 28 , 32		406-0649, 34		815-0539, 30	
323-1317, 55		332-2903, 16		406-0909, 36		815-0544, 26 , 30 , 32 , 36 , 39	
323-1318, 55		334-1842, 38		508-0231, 36		815-0549, 42	
323-1325, 55		337-1940, 20		508-0233, 36		815-0550, 32 , 40 , 42 , 44 , 46 , 50 , 51	
323-1333, 55		337-1941, 18		508-1045, 36		815-0555, 30	
323-1387, 26		337-2352, 24		517-0137, 34		815-0651, 16	
323-1409, 49		337-2399, 20		517-0256, 26		815-0652, 14 , 18	
332-0801, 39		337-2400, 20		517-0266, 36		815-0653, 18	
332-0802, 37 , 38		338-2039, 20		525-0305, 36		815-0656, 18	
332-0941, 37 , 39 , 47		338-2064, 28		526-0003, 38		815-0680, 51	
332-0942, 16 , 37 , 40 , 42 , 44 , 46 , 47 , 49 , 50 , 51 , 52 , 53		338-2065, 34		526-0008, 14		815-0680, 49	
332-1348, 36		338-2073, 28		526-0009, 21		815-0686, 22	
332-1445, 20		338-2074, 32		526-0016, 16		815-0801, 21	
332-1877, 26		338-2099, 28		526-0018, 14 , 18		815-0832, 21	
332-1917, 26		338-2100, 28		526-0022, 36		815-0932, 23	
332-2230, 38 , 52 , 53		338-2101, 32		526-0030, 18		815-0933, 23	
332-2352, 20		338-2135, 34		526-0048, 30 , 32		821-0004, 36	
332-2420, 37 , 39 , 40 , 42 , 44 , 46		338-2136, 34		526-0062, 21		821-0040, 30 , 32 , 42 , 44 , 46	
332-2462, 18		338-2139, 51		526-2081, 18		822-0085, 20	
332-2512, 20 , 24		338-2141, 49		532-0374, 37		822-0089, 20	
332-2605, 14		338-2149, 42		539-1344, 53		822-0091, 20	
332-2630, 39		338-2161, 42 , 44 , 46		800-0002, 18		822-2048, 44 , 46	
332-2660, 20 , 24		338-2204-07, 34		800-0003, 18		822-2049, 44 , 46	
332-2704, 20 , 24		338-2204-08, 34		800-0005, 20		850-0030, 20 , 21	
332-2777, 42 , 44 , 46		338-2204-09, 34		800-0006, 53		850-0039, 20	
332-2832, 16		338-2205-07, 34		800-0008, 14 , 18		850-0040, 14 , 18 , 53	
332-2834, 21 , 24		338-2205-08, 34		800-0028, 18		850-0050, 20	
332-2836-01, 52 , 54		338-2205-08, 34		800-0048, 18		851-0022, 20 , 24	
332-2836-02, 47 , 49		338-2205-09, 34		800-0049, 24		851-0027, 18	
		338-2223, 44 , 46		800-0050, 20		851-0028, 18	
		338-2343, 32		810-0085, 30 , 32			
		338-2349, 47					

Numerical Index

<u>Part No.</u>	<u>Page</u>	<u>Part No.</u>	<u>Page</u>	<u>Part No.</u>	<u>Page</u>	<u>Part No.</u>	<u>Page</u>
853-0005,	38						
853-0018,	20						
856-0002,	30 , 32						
860-0008,	30 , 32 , 38						
862-0001,	18 , 53						
862-0003,	20						
870-0131,	16 , 30 , 32 , 36 , 40 , 42 , 44 , 46 , 50						
870-0201,	22						
870-0221,	30 , 32 , 44 , 46 , 47 , 49 , 52 , 54						
870-0235,	23						
870-0257,	36						
870-0298,	23						
870-0386,	36						
870-0439,	34 , 36						
895-0293-07,	36						
895-0293-08,	36						
898-0778,	36						



Cummins Power Generation

1400 73rd Ave. NE
Minneapolis, MN 55432 USA

Phone 1 763 574 5000

Toll-free 1 800 888 6626

Fax 1 763 574 5298

Email ask.powergen@cummins.com

www.cumminspower.com

Cummins®, the “C” logo, and “Our energy working for you.”
are trademarks of Cummins Inc.

©2014 Cummins Power Generation, Inc. All rights reserved.

