



Parts Manual

Our energy working for you.™



**Power
Generation**

Transfer Switch **1200/1600/2000/3000 Amps** **OTIII (Spec G, H and J)**

MODEL IDENTIFICATION

To avoid errors or delay in filling your parts order, always give the MODEL, SPEC NO. and SERIAL NO. from the Onan nameplate.

For handy reference, insert your nameplate information in the spaces below.

MODEL AND SPEC NO.

SERIAL NO.

SAFETY PRECAUTIONS

The following symbols are used in Onan manuals to alert users to the potentially dangerous conditions relating to maintenance of equipment and replacement of parts. Please read and observe.



This symbol warns of immediate hazards which will result in severe personal injury or death.



This symbol refers to a hazard or unsafe practice which can result in severe personal injury or death.



This symbol refers to a hazard or unsafe practice which can result in severe personal injury or product or property damage.

PRODUCT SAFETY PRECAUTIONS



Service and repair of Onan equipment must be performed by trained, experienced personnel only. Improper service or repair may result in property damage, severe personal injury or death. Do not use this catalog as a guide to servicing your equipment. Read and follow the IMPORTANT SAFETY INSTRUCTIONS in the Service Manual appropriate for the equipment you are working on.



Contact with USED ENGINE OILS has been identified by a United States federal agency and some USA state agencies as causing CANCER or REPRODUCTIVE TOXICITY. When checking or changing engine oils take all necessary precautions not to ingest, breathe the fumes or contact the used oil.



Contact with ASBESTOS has been identified by a United States federal agency and some USA state agencies as causing CANCER or REPRODUCTIVE TOXICITY. When handling engine gaskets take all necessary precautions not to ingest, breathe or contact the dust from the gaskets! Use adequate ventilation and wear protective gloves, masks and clothing!



Contact with BENZINE and LEAD, found in gasoline, fuel additives and solvents has been identified by a United States federal agency and some USA state agencies as causing CANCER or REPRODUCTIVE TOXICITY. When checking, draining or adding gasoline and fuel additives or using solvents take all necessary precautions not to ingest, breathe the fumes or contact the liquids. Use adequate ventilation and wear protective gloves, masks and protective clothing!

Index

Adhesive, **13**
Ammeter, **11, 15**
Ammeter – DC, **33, 35, 37**

Bar, Neutral, **7**
Block, Contact, **11, 17, 31**
Block, Terminal, **25, 27**
Block, Terminal – Sectional, **29, 41, 44**
Board, PC – Battery Charger, **33, 35, 37**
Board, PC – Mother, **23**
Board, PC – Programmed Transition, **39**
Board, PC – Sequencer, **46**
Board, PC – Signal, **41**
Board, PC – Time Delay, **23**
Board, PC – Transformer, **23**
Board, PC – Voltage Sensor, **23**
Bracket, **27, 29**
Bracket, Corner, **19**
Bracket, Door, **11**
Bracket, End, **30**
Bracket, End – Terminal, **29, 41, 44**
Bracket, Lifting, **19**
Bracket, Plate, **25**
Bumper, **13**
Bus, Adapter – Lug, **43**
Bus, Ground, **15**

Cabinet, **11**
Catch, Handle, **15**
Channel, Corner, **19**
Channel, Frame, **19**
Channel, Mounting, **15**
Chute, Arc, **8, 9**
Clock, Exerciser, **38**
Connector, Neutral Bar, **13**
Contact, Movable, **8, 9**
Contact, Stationary, **8, 9**
Contactor, Reversing, **25, 27, 29**
Cover, Blank, **19**
Cover, Board – PC, **23, 41**
Cover, Charger, **33, 35, 37**
Cover, End – Rear, **19**
Cover, Meter, **13**
Cover, Solenoid, **7**
Cover, Switch – Transfer, **7**
Cover, Top, **19**
Cover, Transition – Programmed, **39**

Diode, **8, 9**
Door, Cabinet, **11, 15**

Edging, Protective, **19**

Fuse, **33, 35, 37**

Gasket, Cover – Meter, **13**
Gasket, Door, **11**
Guide, Rod, **13**

Handle, Locking, **13, 15**
Harness, Meter, **19**
Harness, Wiring – Battery Charger, **33, 35, 37**
Harness, Wiring – Contactor, **8, 9**
Harness, Wiring – Current Transformer, **13**
Harness, Wiring – Extension, **29**
Harness, Wiring – Main, **25, 27**
Harness, Wiring – Meter, **13**
Harness, Wiring – Programmed Transition, **39**
Harness, Wiring – Signal Module, **41**
Hinge, Outside, **15**
Holder, Fuse, **33, 35, 37**
Housing, Pin, **47**
Housing, Socket, **47**

Insulator, Stand-Off, **7**

Key, Replacement, **11, 13, 15, 17, 31**

Label, **21**
Label, Block – Terminal, **44**
Latch, Cam, **13**



Index

- Light, Indicating, **11, 15**
- Lug, **43**
- Lug, Contact, **8**
- Lug, Modified, **42, 43**
- Lug, Neutral, **42, 43**
- Lug, Solderless, **7, 13, 15**

- Meter, Frequency, **11, 15**
- Module, Alarm, **40**

- Paint, **13, 19, 27**
- Panel, Meter, **13, 15**
- Pin, Contact, **47**
- Pin, Hinge, **15**
- Pin, Ribbon, **23, 41**
- Plate, **29**
- Plate, Barrier, **15**
- Plate, Clock – Exercisor, **38**
- Plate, Control – Accessory, **25, 27**
- Plate, End – Terminal, **29, 41, 44**
- Plate, Mounting, **19**
- Plate, Mounting – Sequencer, **46**
- Plate, Relay, **45**
- Plug, Hole, **11, 13, 15, 19, 23**

- Rail, Terminal, **29, 30, 41, 44**
- Rectifier, **7, 35, 37**
- Rectifier, Bridge, **35, 37**
- Relay, **27, 29, 39**
- Relay, Auxiliary, **30**
- Relay, Control, **30**
- Relay, Monitor, **45**

- Relay, Power, **29**
- Relay, Transition – Programmed, **39**
- Resistor, **33**
- Rod, Roller, **13**

- Sequencer, **46**
- Shield, **25, 27**
- Shield, Meter, **11, 15**
- Sleeving, Shrink – Heat, **13**
- Socket, Contact, **47**
- Solenoid, **7**
- Spacer, Bar – Neutral, **13**
- Splice, Inline, **39, 40**
- Spring, Conical, **7, 11**
- Strain Relief, **47**
- Support, Mounting – Current Transformer, **15**
- Switch, **7**
- Switch Assembly, Transfer, **3, 5**
- Switch, Rotary, **13, 15**
- Switch, Selector, **11, 17, 31**
- Switch, Toggle, **25, 27, 29**

- Tag, Terminal, **29, 41, 44**
- Transformer, **33, 35, 37**
- Transformer, Current, **13, 15**
- Transformer, Power, **25, 27**
- Transformer, Stepdown, **11, 19**

- Voltmeter, **11, 15**

- Washer, Centering, **33**
- Wrap, Cable, **19**
- Wrapper, Charger – Battery, **33, 35, 37**



Introduction

This catalog applies to the OTIII Spec G , H & J Transfer Switches as indicated below. Each illustrated part is identified by a reference number corresponding to the same reference number in the parts list for that group. Parts illustrations are typical. Using the model and spec number from the switch box nameplate, select the parts that apply to your automatic transfer switch. Unless otherwise noted in the parts description or page heading parts are interchangeable between models.

Model Selection Table

OT C U 1200 A 00000 G

Transfer Switch Series

OT = 3 Pole
ON = 4 Pole

Application Code

A = Non-Automatic
B = Utility to Utility
C = Utility to Generator Set (2 wire)
D = Generator Set to Generator Set
E = Generator Set to Generator Set (3 wire)
F = Remote Control (Slave)
G = Remote Control (LRS)
H = Utility to Generator Set

Standards Code

U = UL Listed
C = CSA Approved
N = No Approval Required

Ampere Rating

1200, 1600, 2000, 3000

Specification Letter

Designates Major Manufacturing Changes

Specification Number

Factory code designating a combination of accessories

Voltage & Frequency Code

A = 120 V 60 Hz 1 Ph 2 Wire
B = 120/240 V 60 Hz 1 Ph 3 Wire
C = 120/208 V 60 Hz 3 Ph 4 Wire
D = 120/240 V 60 Hz 3 Ph 4 Wire
E = 240/480 V 60 Hz 3 Ph 4 Wire
F = 220/380 V 60 Hz 3 Ph 4 Wire
G = 277/480 V 60 Hz 3 Ph 4 Wire
H = 347/600 V 60 Hz 3 Ph 4 Wire
J = 120/240 V 60 Hz 1 Ph 4 Wire
K = 416-440,480 V 60 Hz 3 Ph 4 W
M = 110/220 V 50 Hz 1 Ph 4 Wire
N = 120/240 V 50 Hz 1 Ph 3 Wire
P = 120/240 V 50 Hz 1 Ph 4 Wire
S = 120/240 V 50 Hz 3 Ph 4 Wire
T = 220/380 V 50 Hz 3 Ph 4 Wire
U = 240 V 50 Hz 1 Ph 2 Wire
Y = 380,400,416 V 50 Hz 3 Ph 4 W
R = Special

Feature Options can be determined by reading them off the nameplate or by accessing the following screen through the Distributor On-Line computer system. Note that the first digit typed on this screen is a code number corresponding to an individual Onan product (1=Engines, 2=Gensets, 5=Generator Ends, 6=LT's, 7=OT's/BT's) and that the spec number is always kept to the right and zero filled if the spec number is less than five digits.

MAD2
ITEM NO: 702835

.....

- A015 260 Amps Continuous**
- A029 4 Pole Switch for Program**
- A035 Utility to Genset**
- A042 Three Phase (3 or 4 Wire)**
- A044 60 Hz Frequency**
- A046 UL Listed**

Feature/Options

Beginning with Spec J, feature option codes applicable to the individual unit are listed on the Transfer Switch Nameplate. The following describes these codes;

A028	Poles – 3	L005	Auxiliary Relay – Normal Source
A029	Poles – 4	L101	Auxiliary Relay – 24 VDC Coil
A035	Application – Utility to Genset	L102	Auxiliary Relay – Emergency Position
A036	Application – Utility to Utility	L103	Auxiliary Relay – Normal Position
A037	Application – Genset to Genset	L104	Auxiliary Relay – Genset Start
A038	Application – Non–Automatic/Remote	L201	Auxiliary Relay – 12 VDC Coil
A042	System – 3 Phase 3 or 4 Wire	L202	Auxiliary Relay – Emergency Position
A044	Frequency – 60 Hertz	L203	Auxiliary Relay – Normal Position
A045	Frequency – 50 Hertz	L204	Auxiliary Relay – Genset Start
A046	Listing – UL		
A047	Certification – CSA	M001	Module – Signal
A048	Listing – Not Applicable	M003	Terminal Block – 30 Place
		M004	Monitor – Phase/Sequence Balance
B001	Cabinet – Type 1	M006	Sequencer – Standby Set Start 12 Volt
B002	Cabinet – Type 3R	M007	Load Shed – From Emergency
B003	Cabinet – Type 4	M008	Module – Alarm
B004	Construction – Open	M010	Sequencer – Standby Set Start 24 Volt
C015	Start Time Delay – 90 Seconds	N001	Switch – Auto/Manual
C016	Control – Over Voltage & Over/Under Hertz Source 2	N002	Terminal Block – Battery Charger Alarm
C017	Control – Over Voltage & Over/Under Hertz Source 1	N005	Terminal Block – Source 1/2 Remote Signal
		N008	Terminal Lugs – Cable
D001	Meters – None	N013	Harness, Extension – 4 Feet
D002	Meters – Door Mounted		
		R020	Voltage – 120
J001	Clock – 7 Day Exerciser	R021	Voltage – 208
J021	Programmed Transition 0.5 to 7.5 Second Delay	R022	Voltage – 220
J022	Programmed Transition 1 to 60 Second Delay	R023	Voltage – 240
		R024	Voltage – 380
K001	Battery Charger – 2 Amp, 12/24 Volt	R025	Voltage – 416
K002	Battery Charger – 10 Amp, 12 Volt	R026	Voltage – 480
K003	Battery Charger – 10 Amp, 24 Volt	R027	Voltage – 600
		S057	Current Rating – 1200 Amps
L001	Auxiliary Relay – 24 VAC Coil	S058	Current Rating – 1600 Amps
L002	Auxiliary Relay – Emergency Position	S059	Current Rating – 2000 Amps
L003	Auxiliary Relay – Normal Position	S060	Current Rating – 3000 Amps
L004	Auxiliary Relay – Emergency Source		

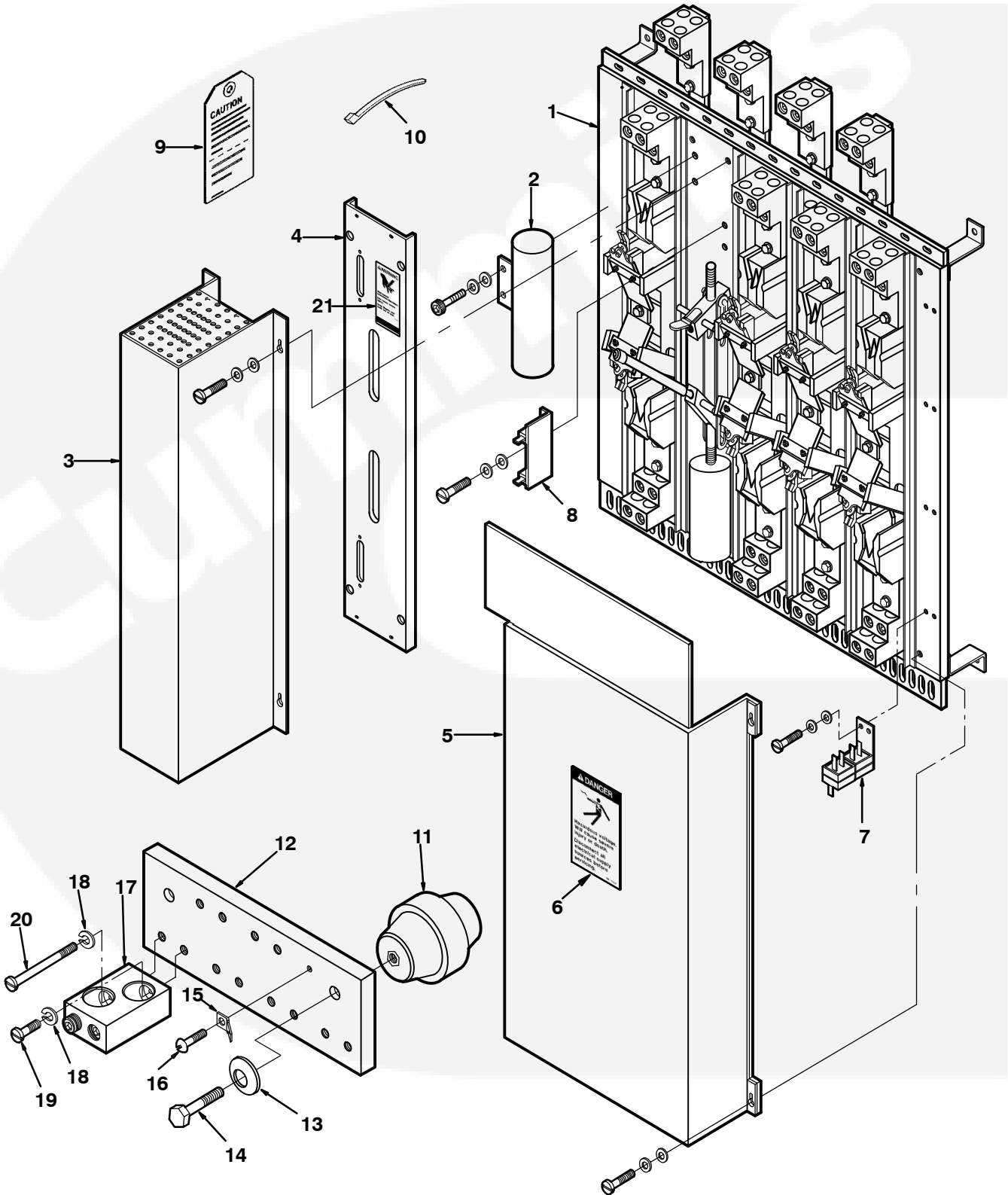
Abbreviations

Some of the following abbreviations may be used throughout this Parts Catalog;

Alternating Current	AC
Ampere	Amp
As Required	A/R
Automatic Voltage Regulator	AVR
Direct Current	DC
External Tooth	ET
External-Internal Tooth	EIT
Inside Diameter	ID
Internal Tooth	IT
Kilowatt	kW
Liquid Petroleum Gas	LPG
Left	LT
Meter	M(meter number)
Millimeter	mm
Not for sale	NFS
Nominal Pipe Thread	NPT
Outside Diameter	OD
Phase	Ph
Printed Circuit	PC
Right	RT
Specification	Spec
Union National Coarse	UNC
Union National Fine	UNF
Volts Alternating Current	VAC
Volts Direct Current	VDC
With	W/(ET, IT, or EIT)



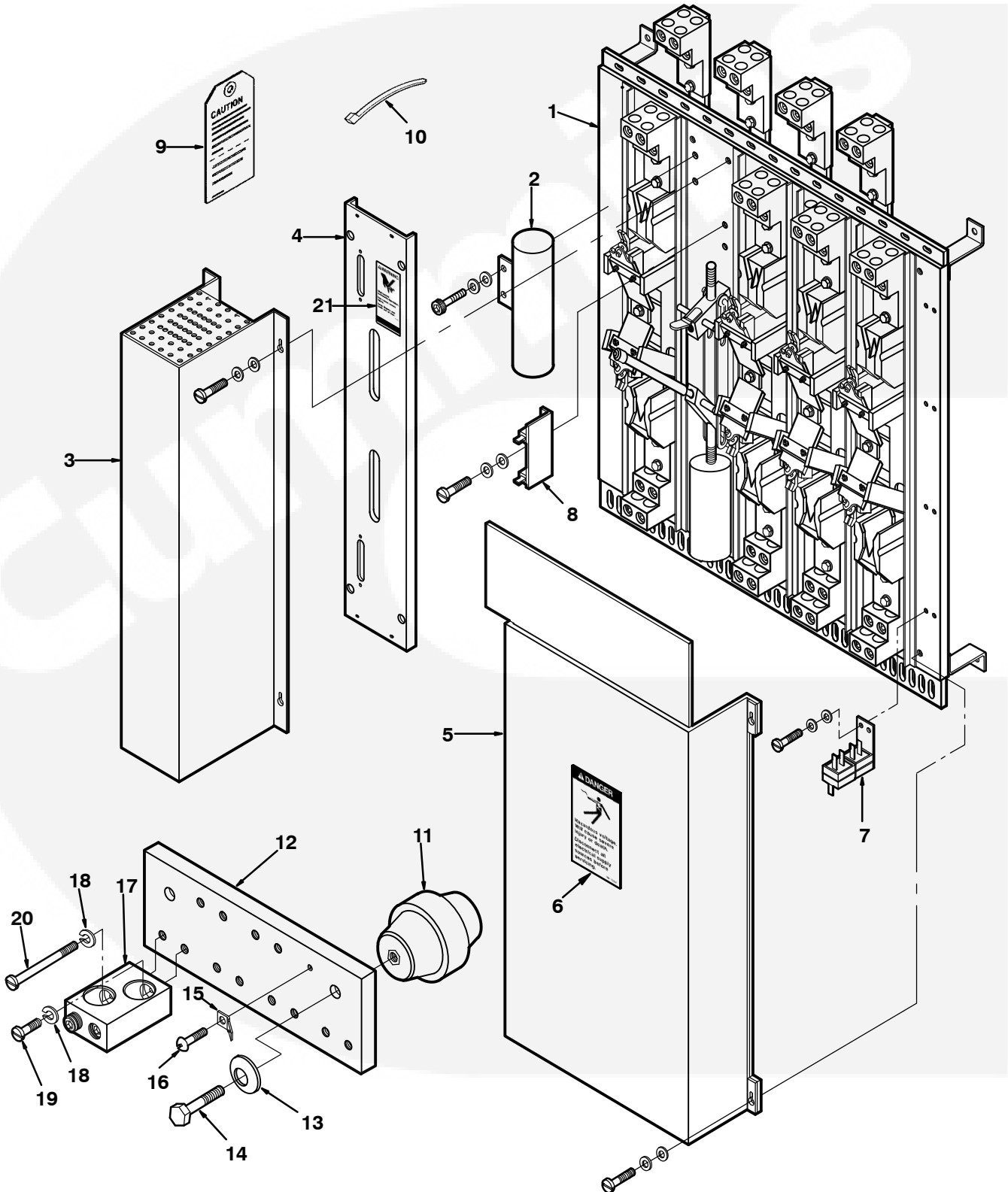
Transfer Switch Assembly (Spec G)



Transfer Switch Assembly (Spec G)

REF NO.	PART NO.	QTY USED	PART DESCRIPTION	REF NO.	PART NO.	QTY USED	PART DESCRIPTION
1			Transfer Switch Assembly				2000 Amp
			1200 Amp				Without Neutral Position
			3 Pole				3 Pole
							208 Volt
							220/240 Volt
							440/480 Volt
							380 – 416 Volt
			4 Pole				4 Pole
							208 Volt
							220/240 Volt
							440/480 Volt
							380 – 416 Volt
			With Neutral Position				With Neutral Position
			3 Pole				3 Pole
							208/220/240 Volt
							440/480 Volt
							380 – 416 Volt
			4 Pole				4 Pole
							208/220/240 Volt
							440/480 Volt
							380 – 416 Volt
			1600 Amp				3000 Amp
			Without Neutral Position				Without Neutral Position
			3 Pole				3 Pole
							208 Volt
							220/240 Volt
							440/480 Volt
							380 – 416 Volt
			4 Pole				4 Pole
							208 Volt
							220/240 Volt
							440/480 Volt
							380 – 416 Volt
			With Neutral Position				With Neutral Position
			3 Pole				3 Pole
							208/220/240 Volt
							440/480 Volt
							380 – 416 Volt
			4 Pole				4 Pole
							208/220/240 Volt
							440/480 Volt
							380 – 416 Volt

Transfer Switch Assembly (Spec H & J)

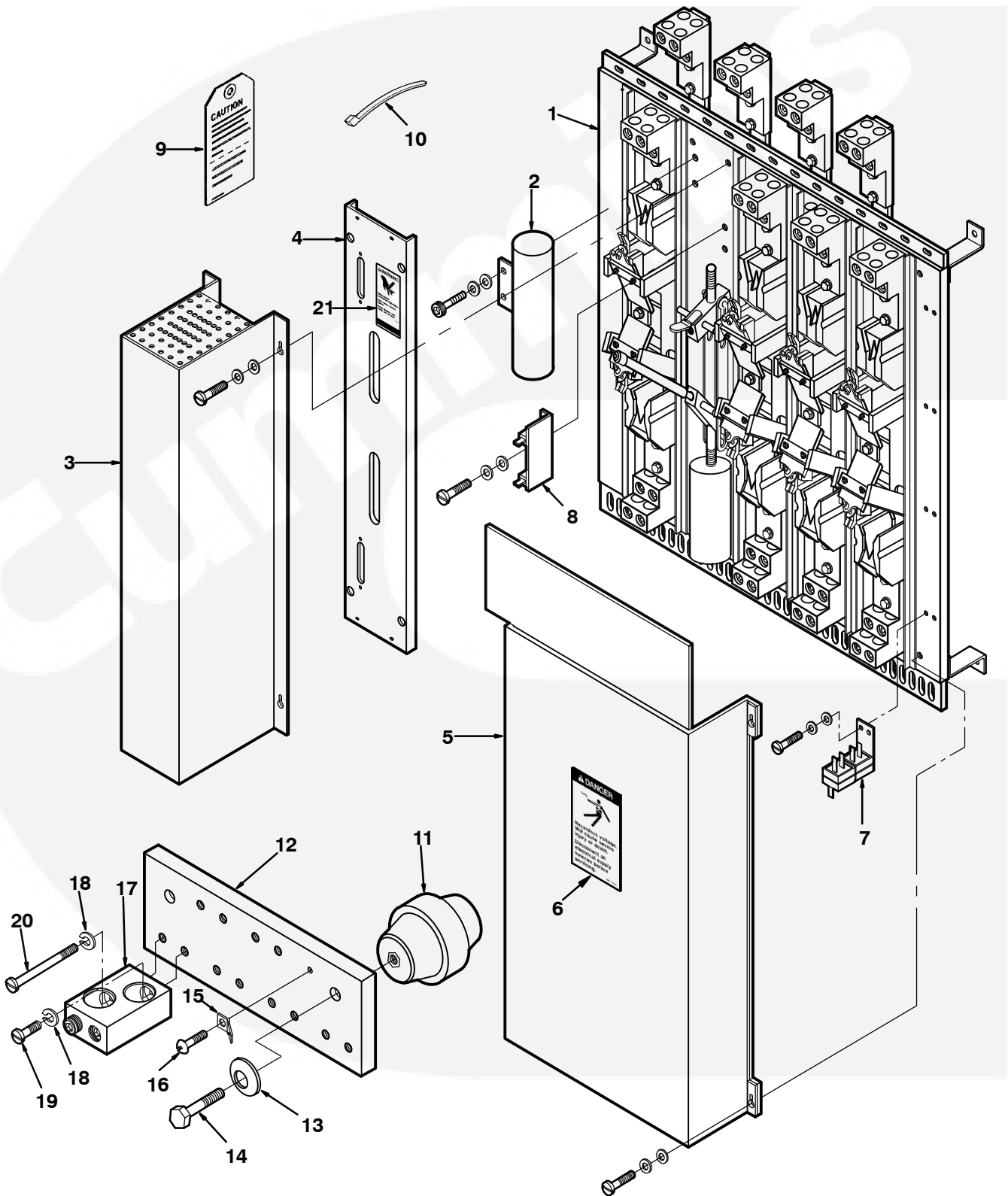


Transfer Switch Assembly (Spec H & J)

REF NO.	PART NO.	QTY USED	PART DESCRIPTION	REF NO.	PART NO.	QTY USED	PART DESCRIPTION
1			Transfer Switch Assembly				2000 Amp
			1200 Amp				3 Pole
			3 Pole				
				306-3619-21	1		208/220/240 Volt
306-3617-21	1		208/220/240 Volt	306-3619-22	1		440/480 Volt
306-3617-22	1		440/480 Volt	306-3619-23	1		380 - 416 Volt
306-3617-23	1		380 - 416 Volt				4 Pole
306-3617-24	1		600 Volt	306-3619-31	1		208/220/240 Volt
			4 Pole	306-3619-32	1		440/480 Volt
306-3617-31	1		208/220/240 Volt	306-3619-33	1		380 - 416 Volt
306-3617-32	1		440/480 Volt				3000 Amp
306-3617-33	1		380 - 416 Volt				3 Pole
306-3617-34	1		600 Volt	306-3620-21	1		208/220/240 Volt
			1600 Amp	306-3620-22	1		440/480 Volt
			3 Pole	306-3620-23	1		380 - 416 Volt
306-3618-21	1		208/220/240 Volt				4 Pole
306-3618-22	1		440/480 Volt	306-3620-31	1		208/220/240 Volt
306-3618-23	1		380 - 416 Volt	306-3620-32	1		440/480 Volt
			4 Pole	306-3620-33	1		380 - 416 Volt
306-3618-31	1		208/220/240 Volt				
306-3618-32	1		440/480 Volt				
306-3618-33	1		380 - 416 Volt				

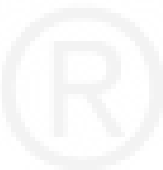


Transfer Switch Assembly (Continued)

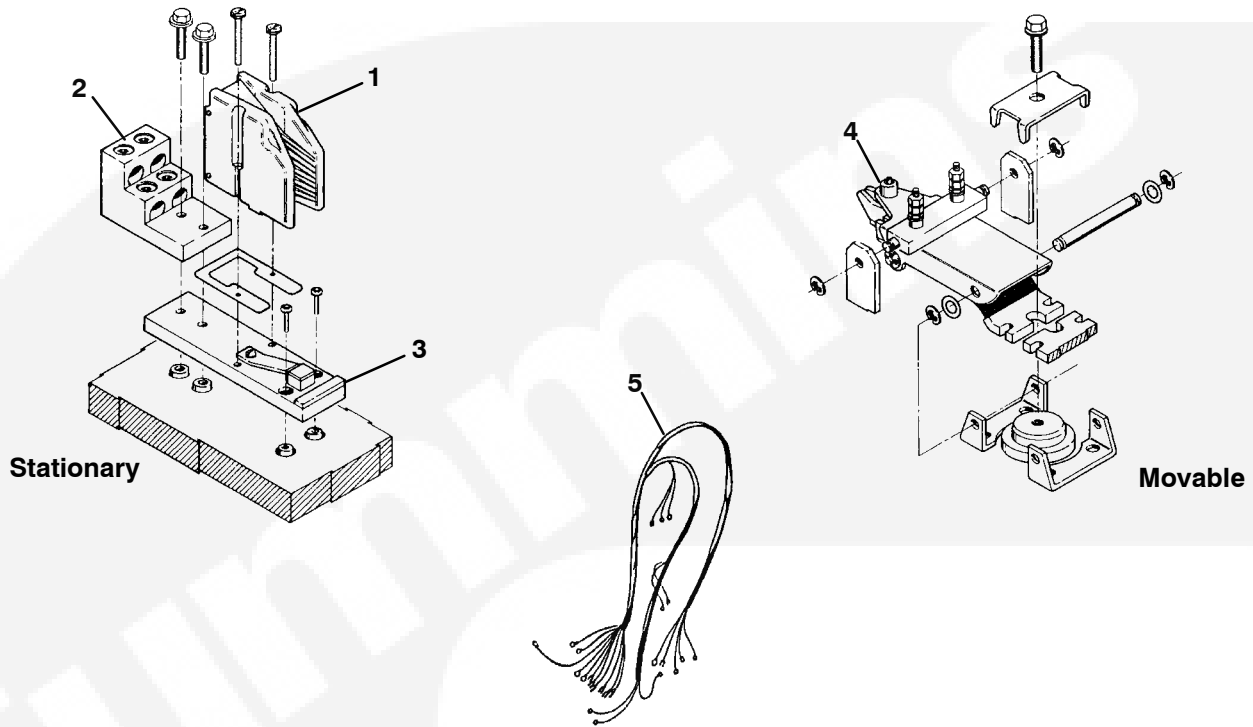


Transfer Switch Assembly (Continued)

REF NO.	PART NO.	QTY USED	PART DESCRIPTION	REF NO.	PART NO.	QTY USED	PART DESCRIPTION
2			Solenoid (K1, K2)	6	098-5387	1	Label, Danger
			1200 Amp	7	306-3624-01	4	Rectifier
			With Neutral Position	8			Switch
	306-3623-04	2	208/220/240 Volt				1200 Amp Standard
	306-3623-16	2	380-416 Volt		306-3622-01	A/R	Normal Side Closed (A3, SN)
	306-3623-05	2	440/480 Volt		306-3622-02	A/R	Emergency Side Closed (SE)
			Standard		306-3622-03	A/R	Emergency Side Closed (A4)
	306-3623-01	2	220/240 Volt				1200 Amp W/Neutral Position
	306-3623-03	2	208/380 - 416 Volt		306-3622-04	A/R	Normal Side Closed
	306-3623-02	2	440/480 Volt				(SN, SNO, SE, SEO, A3)
			1600/2000/3000 Amp		306-3622-07	A/R	Emergency Side Closed
			With Neutral Position				(A4)
	306-3623-14	2	208/220/240 Volt				1600/2000/3000 Amp
	306-3623-18	2	380 - 416 Volt				Standard
	306-3623-15	2	440/480 Volt		306-3622-08	A/R	Normal Side Closed
			Standard				(SN, A3)
			3 Pole		306-3622-09	A/R	Emergency Side Closed
	306-3623-08	2	208 Volt				(SE, A4)
	306-3623-07	2	220/240 Volt				1600/2000/3000 Amp
	306-3623-09	2	380 - 416 Volt				With Neutral Position
	306-3623-06	2	440/480 Volt		306-3622-10	A/R	Normal Side Open
			4 Pole				(SN, SNO, SE, SEO, A3)
	306-3623-11	2	208 Volt		306-3622-12	A/R	Emergency Side Closed
	306-3623-10	2	220/240 Volt				(A4)
	306-3623-17	2	380 - 416 Volt	9	098-5811	1	Tag, Caution
	306-3623-12	2	440/480 Volt	10	332-0942	1	Tie, Cable
3			Cover, Pole - Neutral (Includes Silkscreen)	11	332-2512	2	Insulator, Standoff
	306-4121-01	1	1200 Amp	12	337-2354	1	Bar, Neutral
	306-4129-01	1	1600/2000/3000 Amp	13	851-0022	2	Spring, Conical - Disk
4			Cover, Solenoid	14	800-0049	2	Screw, Cap - Hex Head
	319-0600	1	Spec G				(3/8-16 x 7/8)
	319-0601	1	Spec H and J	15	332-2834	1	Terminal, Tab
5			Cover, Switch - Transfer (Includes Silkscreen)	16	815-0285	1	Screw, Machine - Round Head
			1200 Amp	17	332-2660	6	W/ET (#8-32 x 5/8)
	306-4122-01	1	200-480 Volt	18	850-0039	12	Lug, Solderless
	306-4122-02	1	600 Volt	19	822-0084	6	Washer, Lock (1/4)
			1600/2000 Amp				Screw, Machine - Pan Head
	306-4122-03	1	200-480 Volt	20	822-0091	6	(1/4-20 x 1/2)
	306-4122-04	1	600 Volt				Screw, Machine - Pan Head
			3000 Amp	21	098-6201	1	(1/4-20 x 1-1/2)
	306-4122-05	1	200-480 Volt				Label, Warning
	306-4122-06	1	600 Volt				

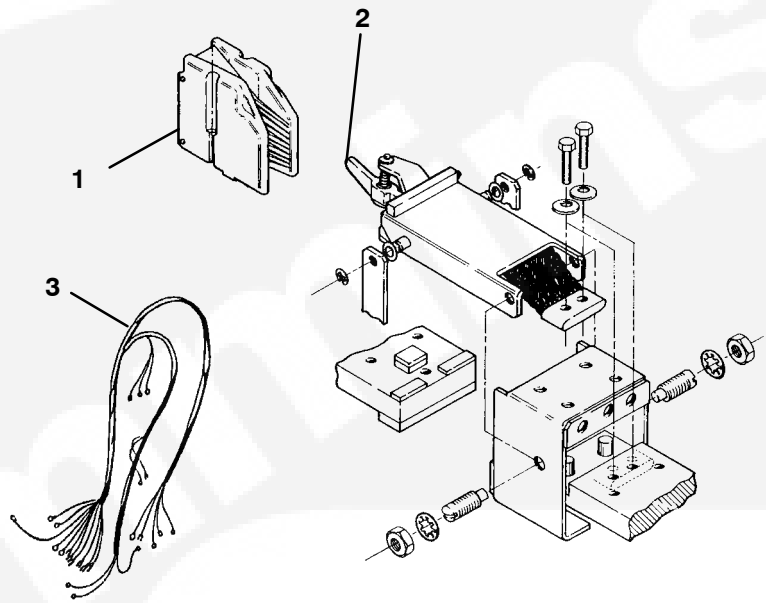


Contacts (1200 Amp)



REF NO.	PART NO.	QTY USED	PART DESCRIPTION	REF NO.	PART NO.	QTY USED	PART DESCRIPTION
1	306-4124-01	1	Chute, Arc	5	338-3041-01	1	Harness, Wiring – Contactor (Includes Diode)
2	306-4124-02	1	Lug		306-3624	1	Diode
3	306-4124-03	1	Contact, Stationary				
4	306-4124-04	1	Contact, Movable				

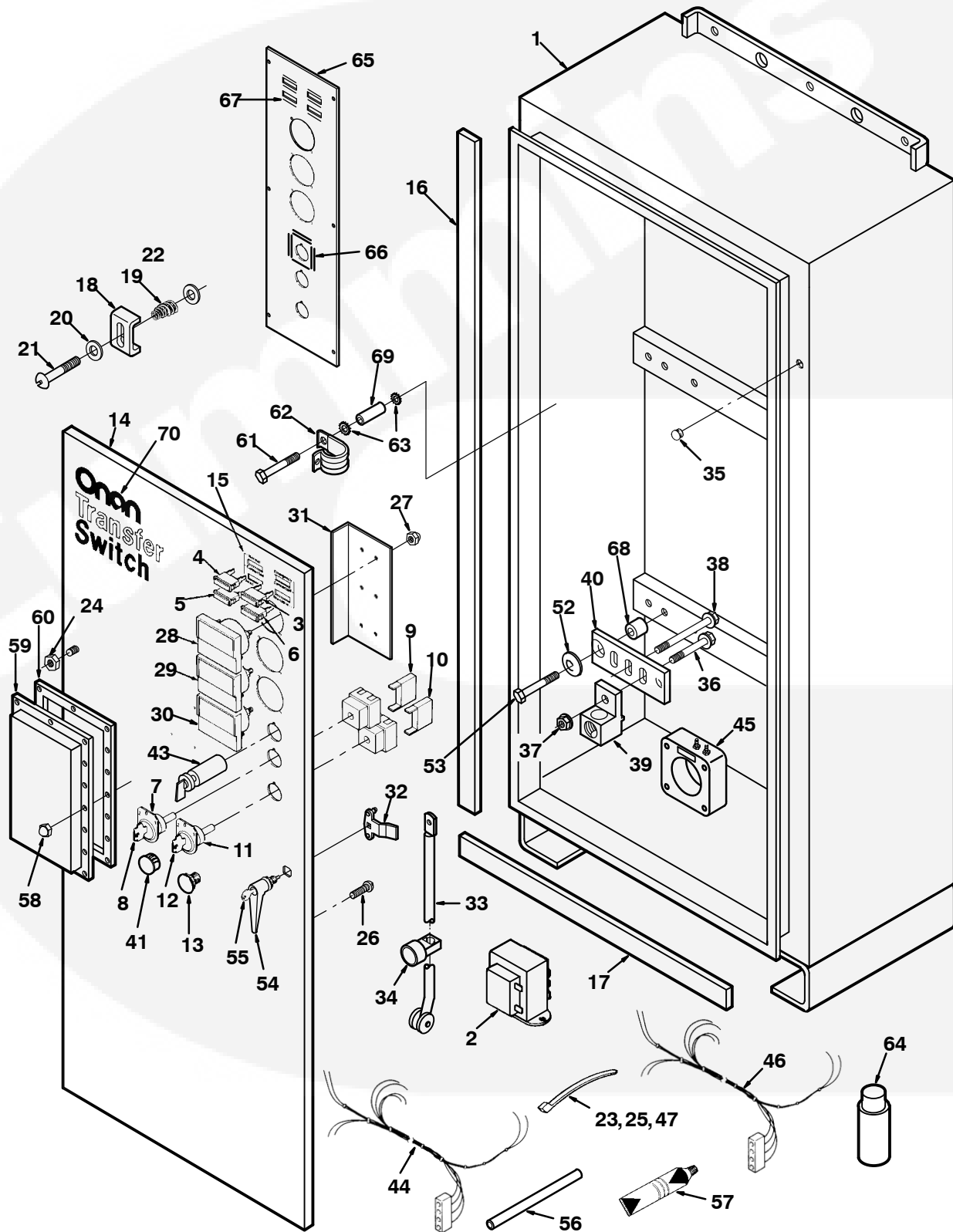
**Contacts
(1600/2000/3000 Amp)**



REF NO.	PART NO.	QTY USED	PART DESCRIPTION	REF NO.	PART NO.	QTY USED	PART DESCRIPTION
1	306-4127-01	1	Chute, Arc				
2	306-4127-03	1	Contact, Movable	306-4127-02	1	Contact, Stationary (Not Illustrated)	
3	338-3041-02	1	Harness, Wiring – Contactor (Includes Diode)				
	306-3624	1	Diode				



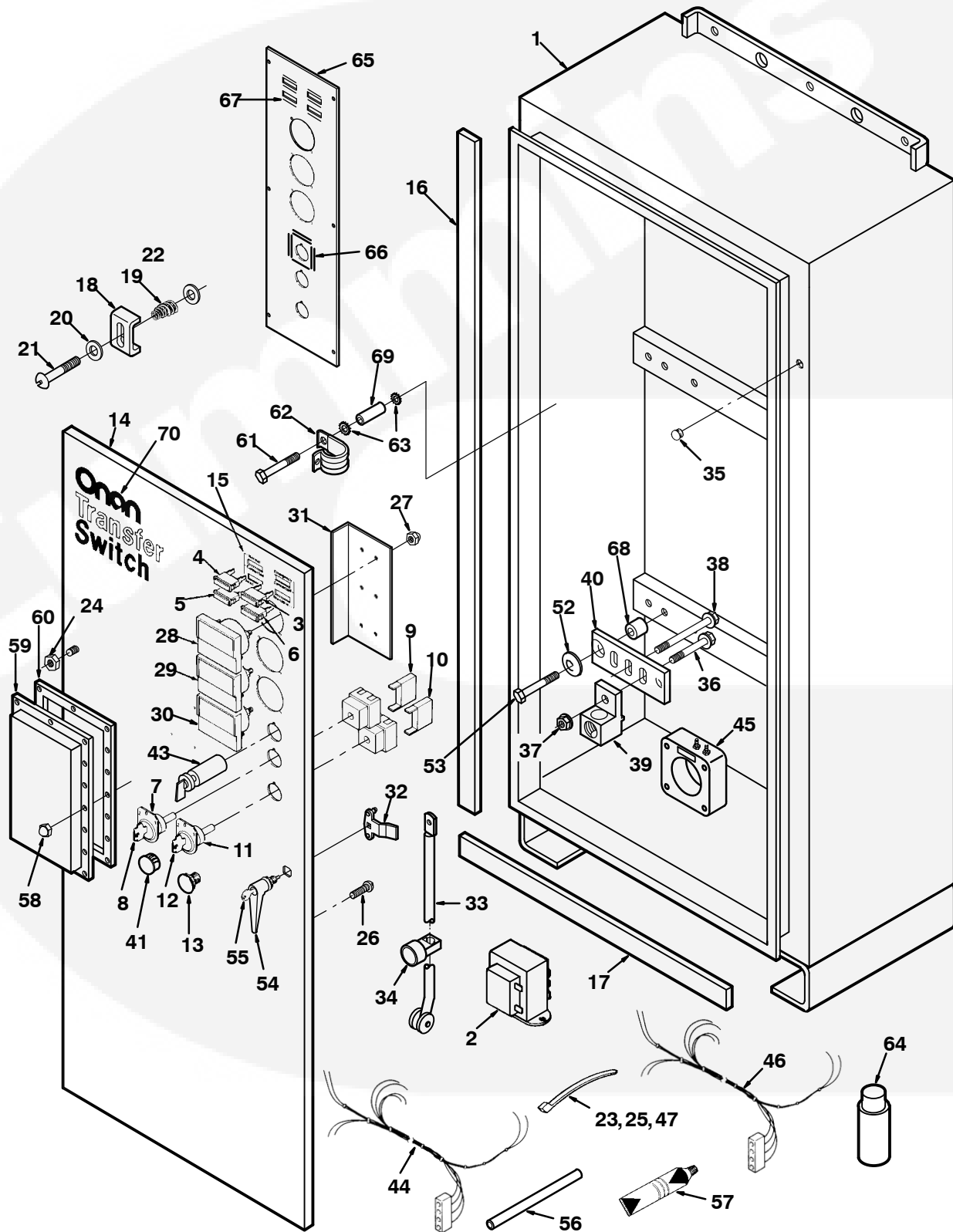
Door and Cabinet Assembly (1200 Amp)



Door and Cabinet Assembly (1200 Amp)

REF NO.	PART NO.	QTY USED	PART DESCRIPTION	REF NO.	PART NO.	QTY USED	PART DESCRIPTION
1		1	Cabinet	12			Key, Replacement (fits item 11)
	319-0627		NEMA 1				Spec G & H
	319-0627		NEMA 3		308-0849	1	NEMA 1
	319-0625		NEMA 4		308-0989	1	NEMA 3 & 4
2			Transformer, Stepdown (T3)		308-0989	1	Spec J
	315-0377	1	480/600 Volt	13	517-0266	1	#*Plug, Hole (Includes Nut & Rubber Washer)
	315-1998	1	380/416 Volt				Door, Cabinet
3	322-0170	1	Light, Indicating - Normal (Green)	14			NEMA 1
4	322-0137	1	Light, Indicating - Emergency (Red)		319-0615-01	1	Without Meter Holes
					319-0615-02	1	With Meter Holes
5	322-0387-02	1	Light, Indicating - Emergency Source Available (Clear)		319-0615-03	1	NEMA 3
6	322-0168	1	Light, Indicating - Normal Source Available (Amber)		319-0615-04	1	Without Meter Holes
							With Meter Holes
7			Switch, Selector 3 Position (Retransfer/Normal/Test) (S12) (Includes Key)		319-0616-01	1	NEMA 4
			Spec G & H	15	319-0616-02	1	Without Meter Holes
			NEMA 1		098-5697	1	Decal, Door
	308-0848	1	Utility to Genset		098-5696	1	Without Meters
	308-0895-01	1	Genset to Genset	16	895-0293-10	2	#*Gasket, Door (65.24")
	308-0895-02	1	Non-Automatic	17	895-0293-11	2	#*Gasket, Door (32.38")
			NEMA 3	18	301-6727	11	#Bracket, Door
	308-0886	1	Utility to Genset	19	406-0519	11	#Spring, Conical
	308-0903	1	Genset to Genset	20	526-0022	11	#Washer, Flat (5/16)
	308-0889	1	Utility to Utility	21	812-0177	11	#Screw, Machine - Round Head (5/16-18 x 3/4)
			NEMA 4	22	508-0233	11	#Washer, Rubber
	308-0886	1	Utility to Genset	23	332-0942	1	Tie, Cable (3.62" Long)
	308-0903	1	Genset to Genset	24	870-0212	15	Nut, Hex (1/4-20)
	308-0889	1	Utility to Utility	25	332-2877	9	Tie, Cable (8" Long)
			Spec J	26	815-0544	14	Screw, Machine - Round Head (#6-32 x 1/2)
	308-0994	1	Utility to Genset				Nut, Acorn - Nylon (1/4-28)
	308-0991	1	Genset to Genset	27	870-0439	6	Voltmeter - AC (M4)
	308-0990	1	Utility to Utility	28			0 - 300 Volt
8			Key, Replacement (fits item 7)		302-1175	1	0 - 600 Volt
	308-0849	1	NEMA 1		302-1710	1	Ammeter (M2)
	308-0988	1	NEMA 3	29	302-1734	1	Meter, Frequency (M3)
	308-0988	1	NEMA 4	30			300 Volt
9	308-0850	A/R	@Block, Contact - Normaly Open		302-1720	1	380/416/480/600 Volt
10	308-0854	A/R	@Block, Contact - Normaly Closed	31	306-3464	1	Shield, Meter
11			Switch, Selector 2 Position (Auto-Manual) (S14) (Includes Key)				
			Spec G & H				
	308-0851	1	NEMA 1				# = NEMA 4
	308-0957	1	NEMA 3 & 4				* = NEMA 3
	308-0957	1	Spec J				@ = NEMA 1

Door and Cabinet Assembly (1200 Amp) (Continued)

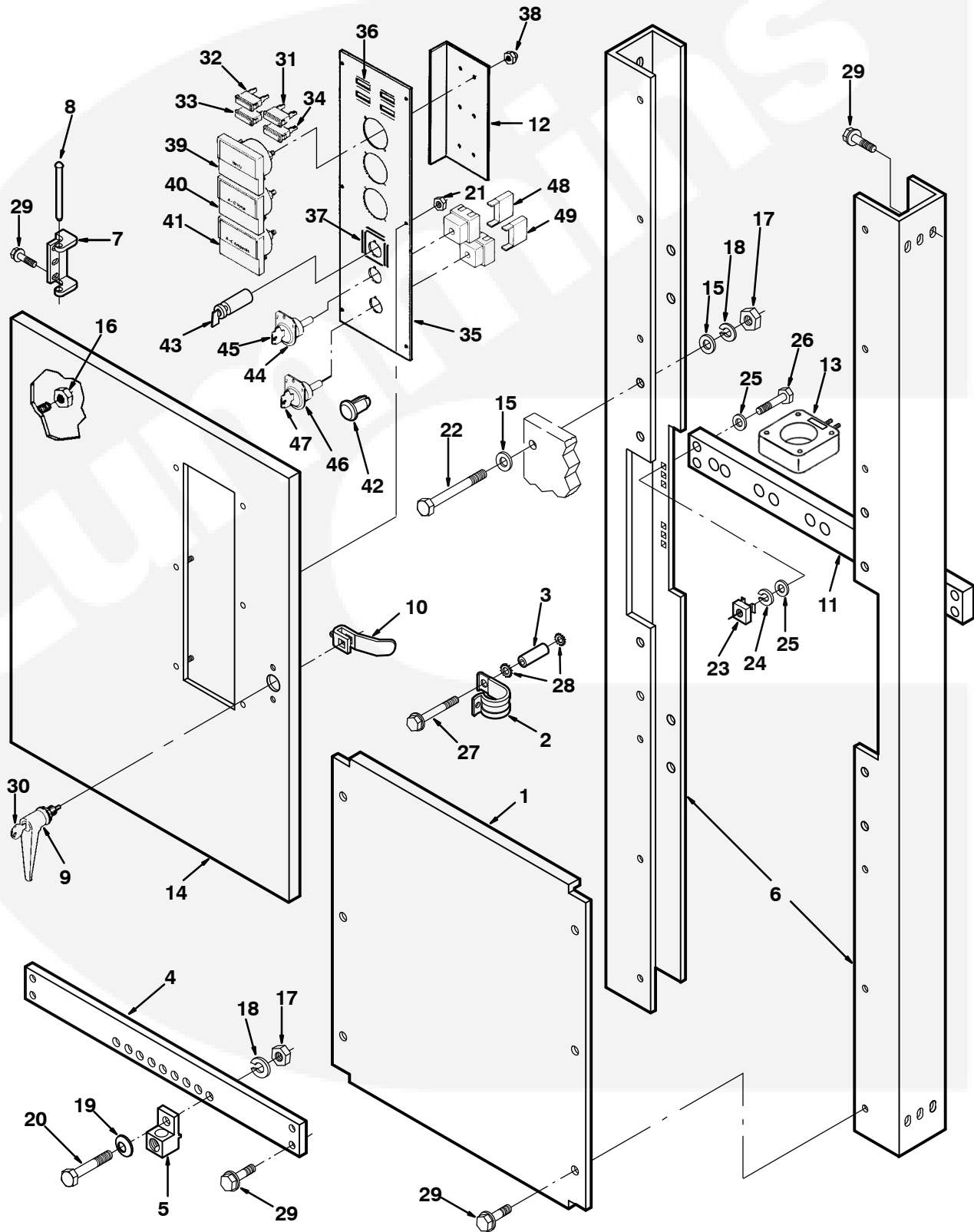


Door and Cabinet Assembly (1200 Amp) (Continued)

REF NO.	PART NO.	QTY USED	PART DESCRIPTION	REF NO.	PART NO.	QTY USED	PART DESCRIPTION
32	306-3525	1	#Latch, Cam – 3 Point	45	302-1976-01	3	Transformer, Current (CT1, 2, 3)
33	306-3526-04	2	#Rod, Roller	46	338-2459	1	Harness, Transformer – Current
34	306-3467	2	#Guide, Rod	47	332-1389	12	Tie, Cable (14" Long)
35	508-0231	3	#Bumper	52	851-0022	2	Washer, Conical
36	821-0020	2	Screw, Locking – Flange (5/16-18 x 7/8)	53	800-0053	2	Screw, Cap – Hex Head (3/8-16 x 1-3/4)
37	870-0257	3	Nut, Locking – Flange (5/16-18)	54	406-0613	1	Handle, Locking (Includes Key)
38	821-0023	1	Screw, Locking – Flange (5/16-18 x 1-1/2)	55	406-0649	A/R	Key, Replacement (Fits Item 54)
39	332-2016	3	Lug, Solderless	56	898-0798	1	Sleeving, Heat Shrink
40	332-0722	1	Connector, Neutral Bar	57	518-0404	1	#Adhesive, Neoprene
41	517-0137	1	Plug, Hole (Snap in)	58	870-0386	16	#Nut, Acorn – Nylon (#8-32)
43	308-0904	1	Switch, Rotary – Volt Ammeter (S13)	59	319-0145	1	#Cover, Meter
44			Harness, Meter	60	319-0146	1	#Gasket, Cover – Meter
			NEMA 1	61	815-0592	1	Screw, Thread Forming – Hex Washer Head (#8-32 x 1-3/8)
		1	Utility to Genset	62	332-0051	1	Clip, Wire
	338-2136		200 – 300 Volt	63	853-0005	2	Washer, Lock – ET (#8)
	338-2065	1	480 Volt	64		.	Paint – Spray Can
			Genset to Genset		525-0551-02	1	Cummins Beige
	338-2136	1	200 – 300 Volt		525-0305	1	Onan Green
	338-2065	1	480 Volt	65			Panel, Meter (Open Construction)
	338-2065	1	Utility to Utility		319-0689	1	With Meter Holes
	338-2065	1	Non-Automatic		319-0690	1	Without Meter Holes
			Open Construction	66			Label
	338-2133	1	200 – 300 Volt		098-5697	1	Utility to Genset – No Meters
	338-2134	1	480 Volt		098-5696	1	Utility to Genset – Meters
			NEMA 3		098-5865	1	Utility to Utility – No Meters
			Utility to Genset		098-5866	1	Utility to Utility – Meters
	338-2136	1	200 – 300 Volt		098-5862	1	Genset to Genset – No Meters
	338-2065	1	480 Volt		098-5861	1	Genset to Genset – Meters
			Genset to Genset		098-5922	1	Non-Automatic – No Meters
	338-2136	1	200 – 300 Volt		098-5923	1	Non-Automatic – Meters
	338-2065	1	480 Volt	67			Label
	338-2065	1	Utility to Utility		098-5693	1	Utility to Genset
	338-2065	1	Non-Automatic		098-5859	1	Utility to Utility
			NEMA 4		098-5859	1	Genset to Genset
			Utility to Genset		098-6117	1	Non-Automatic
	338-2136	1	200 – 300 Volt	68	332-1348	2	Spacer – Neutral Bar
	338-2065	1	480 Volt	69	370-4061	1	Spacer
			Genset to Genset				
	338-2136	1	200 – 300 Volt				
	338-2065	1	480 Volt				
			Utility to Utility				
	338-2136	1	200 – 300 volt				
	338-2065	1	480 Volt				

= NEMA 3 & 4

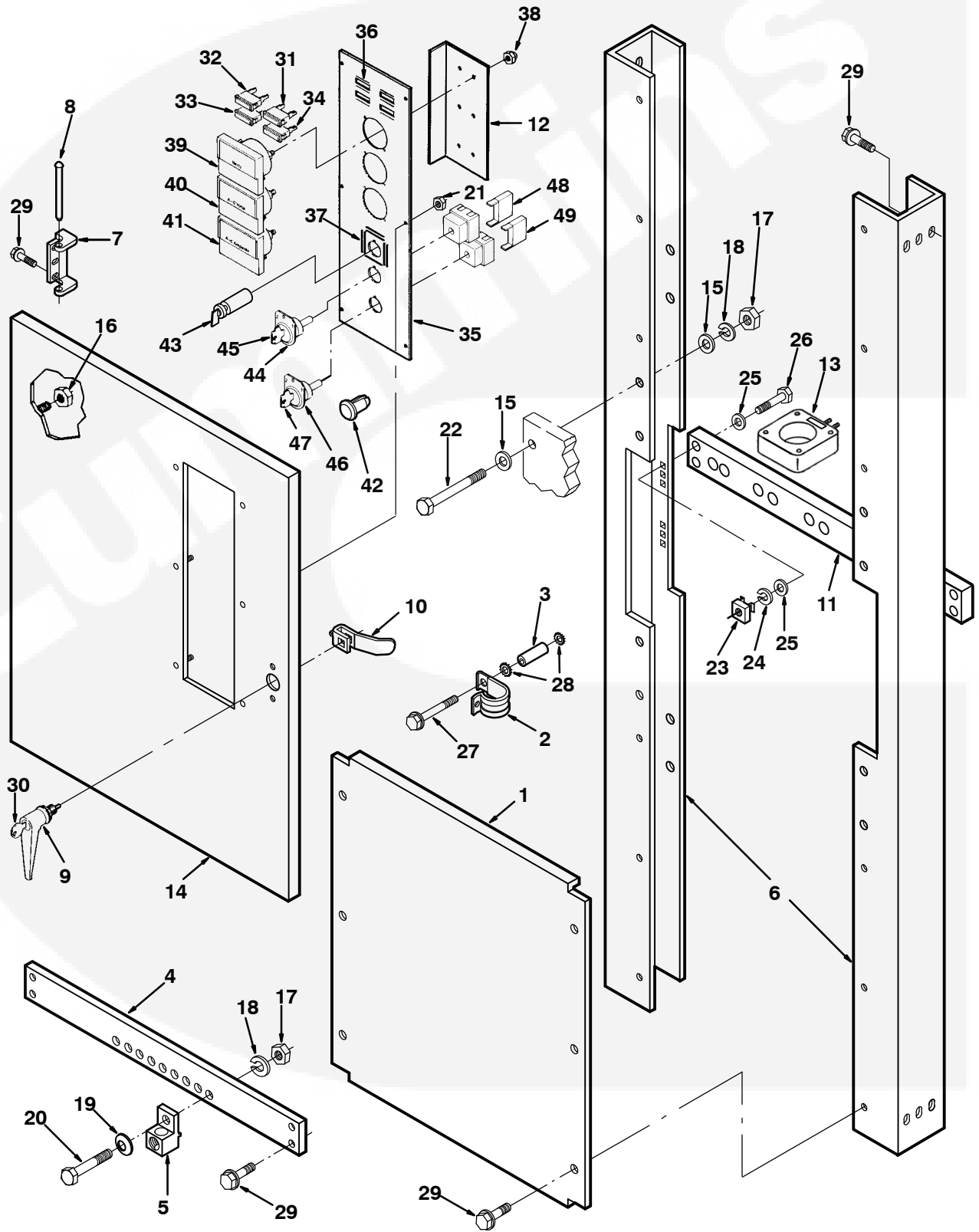
Door Assembly (1600/2000/3000 Amp)



Door Assembly (1600/2000/3000 Amp)

REF NO.	PART NO.	QTY USED	PART DESCRIPTION	REF NO.	PART NO.	QTY USED	PART DESCRIPTION
1	319-0684	2	Plate, Barrier	32	322-0137	1	Light, Indicating – Emergency (Red)
2	425-1798	1	Clamp, Cable	33	322-0387-02	1	Light, Indicating – Emergency Source Available (Clear)
3	370-4061	1	Spacer	34	322-0168	1	Light, Indicating – Normal Source Available (Amber)
4	337-2440	1	Bus, Ground	35		1	Panel, Meter
5	332-2016	6	Lug, Solderless		319-0690		No Meter Holes
6	319-0683	2	Channel, Mounting		319-0689		With Meter Holes
7	406-0686	3	Hinge, Outside	36			Label
8	301-4984	3	Pin, Hinge		098-5693	1	Utility to Genset
9	406-0613	1	Handle, Locking (Includes Key)		098-5859	1	Utility to Utility
10	406-0089	1	Catch, Handle		098-5859	1	Genset to Genset
11	319-0706	1	Support, Mounting – Current Transformer		098-6117	1	Non-Automatic
12	306-3464	1	Shield, Meter				Label
13			Transformer, Current (CT1, 2, 3)	37			Utility to Genset – No Meters
	302-1820-15	3	1600 Amp		098-5697	1	Utility to Genset – Meters
	302-1820-16	3	2000 Amp		098-5696	1	Utility to Utility – No Meters
	302-1830-06	3	3000 Amp		098-5865	1	Utility to Utility – No Meters
14	319-0687	1	Door, Cabinet		098-5866	1	Utility to Utility – Meters
15	526-0115	24	Washer, Flat (5/16)		098-5862	1	Genset to Genset – No Meters
16	870-0212	4	Nut, Hex (1/4-20)		098-5861	1	Genset to Genset – Meters
17	862-0015	18	Nut, Hex (5/16)		098-5922	1	Non-Automatic – No Meters
18	850-0045	18	Washer, Lock (5/16)		098-5923	1	Non-Automatic – Meters
19	851-0028	6	Washer, Conical – Disk Spring (5/16)	38	870-0439	6	Nut, Acorn – Nylon (1/4-28)
20	800-0028	10	Screw, Cap – Hex Head (5/16-18 x 1)	39			Meter, Frequency (M3)
21	870-0131	6	Nut, Hex – W/ET (#10-32)		302-1720	1	300 Volt
22	800-0034	8	Screw, Cap – Hex Head (5/16-18 x 2-1/4)	40	302-1992	1	380/416/480/600 Volt
23	862-0003	4	Nut, Hex (3/8-16)		302-1175	1	Voltmeter (M4)
24	850-0050	4	Washer, Lock (3/8)		302-1711	1	300 Volt
25	526-0029	8	Washer, Flat (3/8)		302-1710	1	480 Volt
26	800-0051	4	Screw, Cap – Hex Head (3/8-16 x 1-1/4)	41			750 Volt
27	815-0592	1	Screw, Thread Forming – Hex Washer Head (#8-32 x 1-3/8)		302-1735	1	Ammeter (M2)
					302-1736	1	1600 Amp
					302-1891	1	2000 Amp
					302-1891	1	3000 Amp
28	853-0005	2	Washer, Lock – ET (#8)	42	517-0256	1	Plug, Hole
29	815-0261	39	Screw, Thread Forming – Hex Washer Head (1/4-20 x 1/2)	43	308-0904	1	Switch, Rotary – Volt Ammeter (S13)
30	406-0649	1	Key, Handle (fits item 9)				
31	322-0170	1	Light, Indicating – Normal (Green)				

**Door Assembly
(1600/2000/3000 Amp) (Continued)**



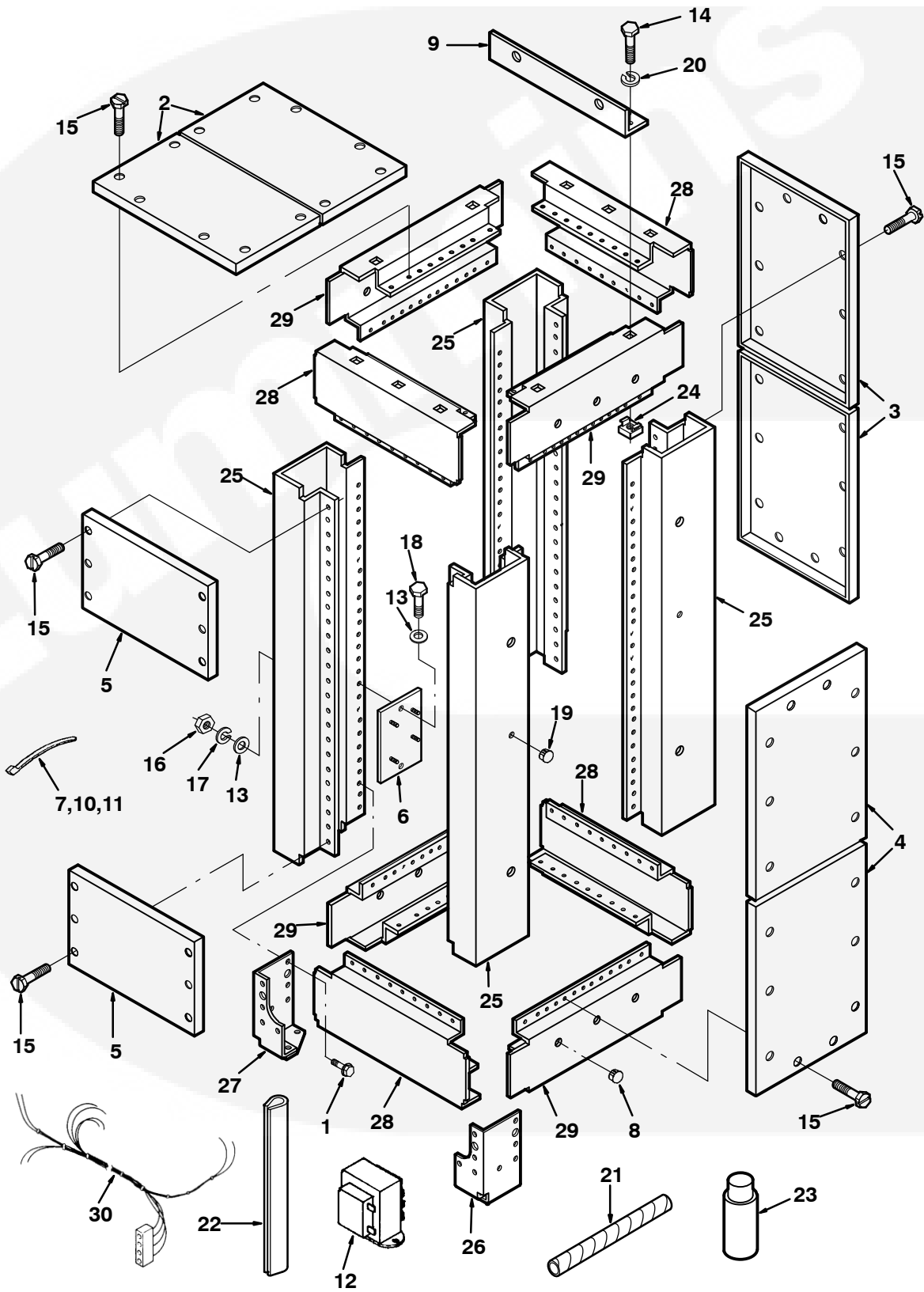
Door Assembly (1600/2000/3000 Amp) (Continued)

REF NO.	PART NO.	QTY USED	PART DESCRIPTION	REF NO.	PART NO.	QTY USED	PART DESCRIPTION
44			Switch, Selector 3 Position (Retransfer/Normal/Test) (S12) (Includes Key)	46			Switch, Selector 2 Position (Auto-Manual) (S14) (Includes Key)
			Spec G & H				Spec G & H
			NEMA 1		308-0851	1	NEMA 1
	308-0848	1	Utility to Genset		308-0957	1	NEMA 3 & 4
	308-0895-01	1	Genset to Genset		308-0957	1	Spec J
	308-0895-02	1	Non-Automatic	47			Key, Replacement (fits item 11)
			NEMA 3				Spec G & H
	308-0886	1	Utility to Genset		308-0849	1	NEMA 1
	308-0903	1	Genset to Genset		308-0989	1	NEMA 3 & 4
	308-0889	1	Utility to Utility		308-0989	1	Spec J
			NEMA 4	48	308-0850	1	@Block, Contact - Normaly Open
	308-0886	1	Utility to Genset	49	308-0854	1	@Block, Contact - Normaly Closed
	308-0903	1	Genset to Genset				
	308-0889	1	Utility to Utility				
			Spec J				
	308-0994	1	Utility to Genset				
	308-0991	1	Genset to Genset				
	308-0990	1	Utility to Utility				
45			Key, Replacement (fits item 7)				
	308-0849	1	NEMA 1				
	308-0988	1	NEMA 3				
	308-0988	1	NEMA 4				

@ = NEMA 1

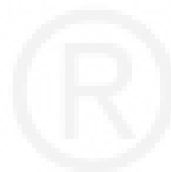


Cabinet (1600/2000/3000 Amp)

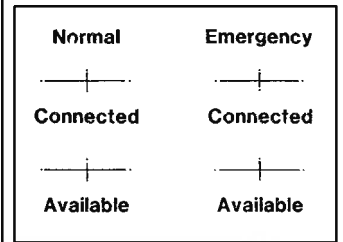
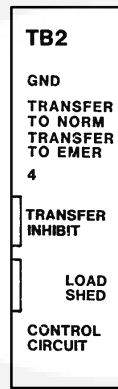
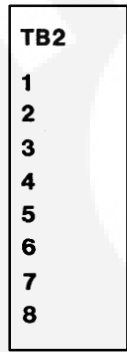
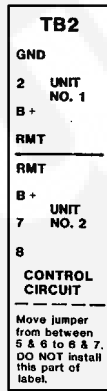
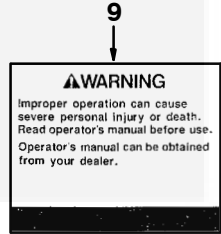
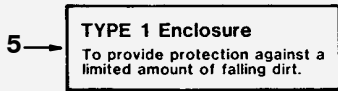
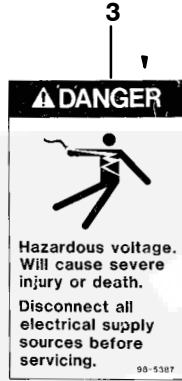
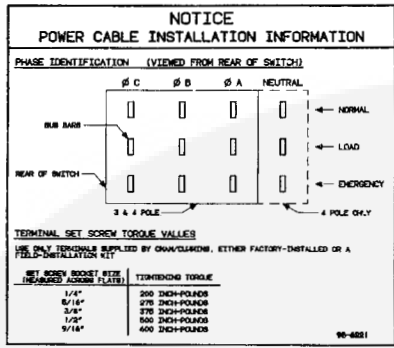


**Cabinet Assembly
(1600/2000/3000 Amp)**

REF NO.	PART NO.	QTY USED	PART DESCRIPTION	REF NO.	PART NO.	QTY USED	PART DESCRIPTION
1	815-0290	96	Screw, Machine – Hex Washer Head (1/4-20 x 5/8)	19	517-0131	12	Plug, Hole
2	301-9751-14	2	Cover, Top	20	850-0060	8	Washer, Lock (1/2)
3	301-9750-08	2	Cover, End – Rear	21	332-2341	25"	Wrap, Cable
4	301-9750-04	4	Cover, End – Rear	22	508-1045	1	Edging, Protective
5	319-0685	2	Cover, Blank	23	525-0208	1	Paint
6	319-0696	1	Plate, Mounting	24	876-0431-05	8	Nut, Retainer (1/2-13, 12 Ga.)
7	332-2877	6	Tie, Cable (8")	25	319-0541	4	Channel, Corner – Vertical
8	517-0132	12	Plug, Hole	26	319-0536	4	Bracket, Corner – Left Hand
9	319-1759	4	Bracket, Lifting	27	319-0535	4	Bracket, Corner – Right Hand
10	332-0942	1	Tie, Cable (3.62")	28	319-0540-01	4	Channel, Frame – Side to Side
11	332-1389	13	Tie, Cable (14")	29	319-0542-02	4	Channel, Frame – Front to Back
12			Transformer, Stepdown (T3)	30		1	Harness, Meter
	315-1998	1	380/416 Volt		338-2136	1	Utility to Genset 200 – 300 Volt
	315-0377	1	480/600 Volt		338-2065	1	480 Volt
13	526-0115	24	Washer, Flat (5/16)				Genset to Genset
14	800-0091	8	Screw, Cap – Hex Head (1/2-13 x 1-1/4)		338-2136	1	200 – 300 Volt
					338-2065	1	480 Volt
15	815-0667	68	Screw, Slotted – Hex Head (1/4-20 x 1-1/4)		338-2065	1	Utility to Utility
					338-2065	1	Non-Automatic
16	862-0015	18	Nut, Hex (5/16)				Open Construction
17	850-0045	18	Washer, Lock (5/16)		338-2133	1	200 – 300 Volt
18	800-0028	10	Screw, Cap – Hex Head (5/16-18 x 1)		338-2134	1	480 Volt



Plates, Labels and Tags

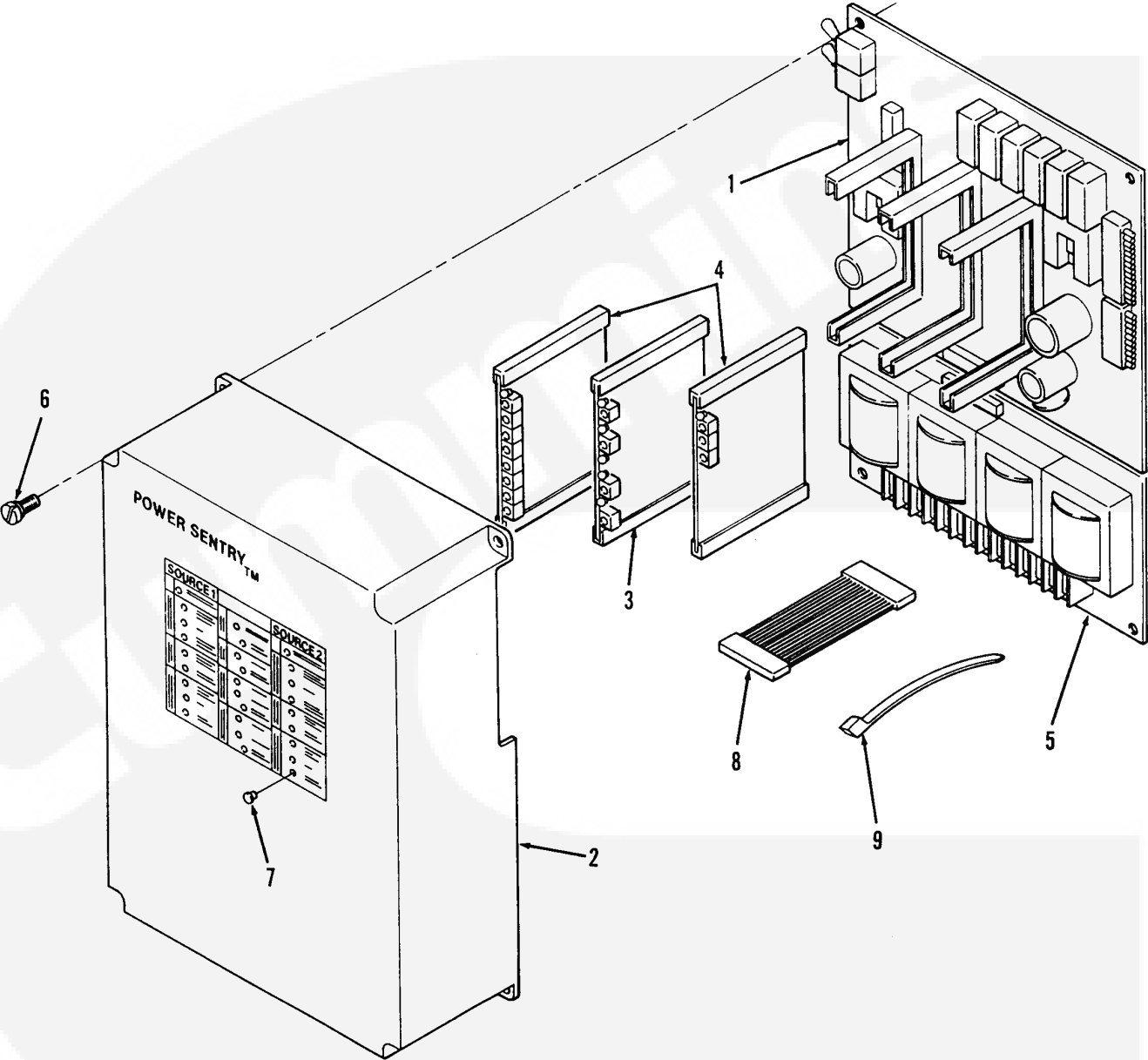


Plates, Labels and Tags

REF NO.	PART NO.	QTY USED	PART DESCRIPTION	REF NO.	PART NO.	QTY USED	PART DESCRIPTION
1	098-6221	1	Label – Power Cable	9	098-5777-01	1	Label, Warning
3	098-5387	1	Label – Danger	11	098-6032	1	Label – Genset to Genset
4	098-5589	1	Tag – Caution	12	098-6031	1	Label – Utility to Utility
5	098-6118	1	Label – Cabinet	13	098-6033	1	Label – Non Automatic
6	098-6635	1	Label – Ground	14	098-5692	1	Label – Product Identification
7	098-6200	1	Label – Warning	15	098-5693	1	Label – Lamp
8	098-6107	1	Label – Caution (Jumper)				



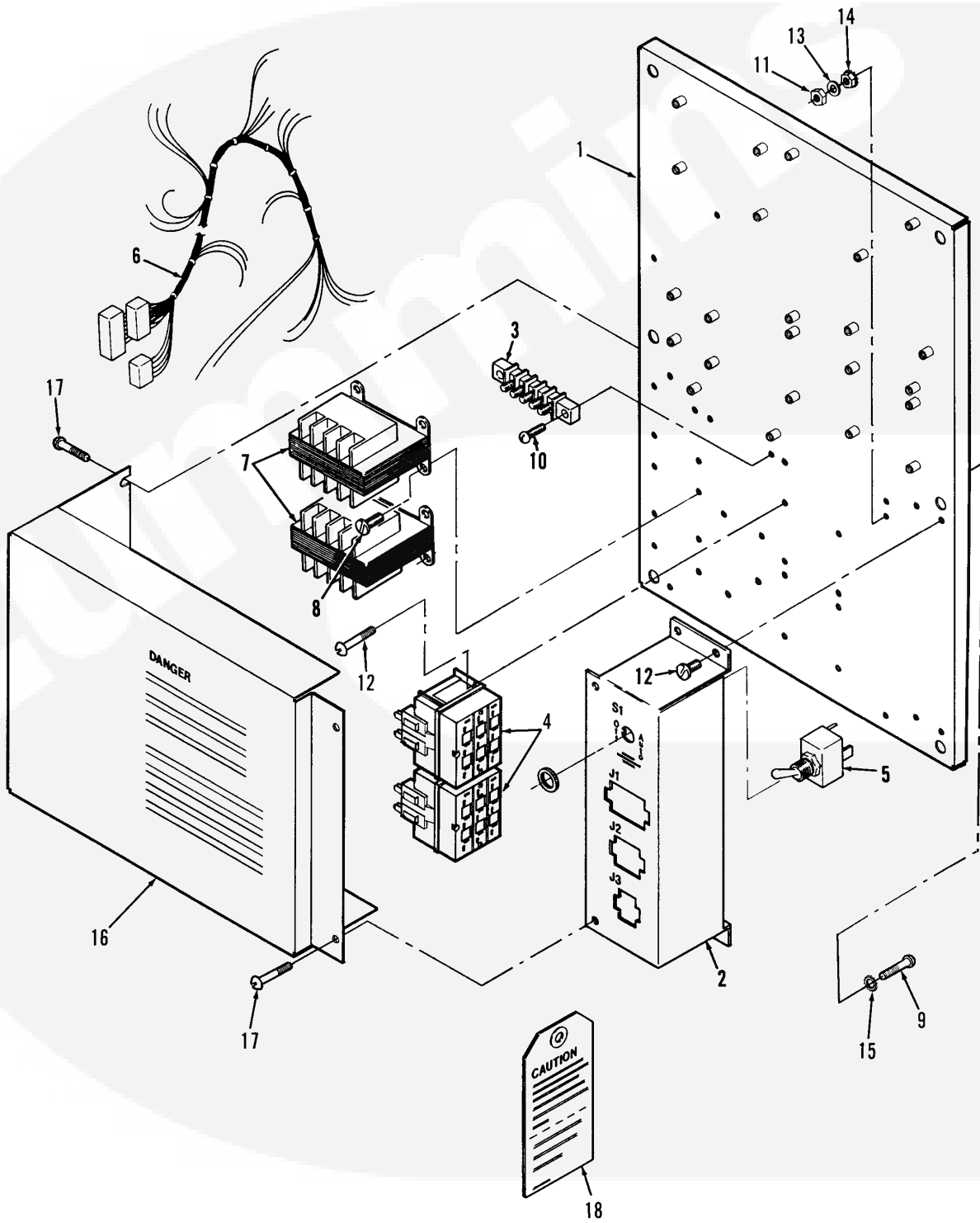
Control Assembly



Control Assembly

REF NO.	PART NO.	QTY USED	PART DESCRIPTION	REF NO.	PART NO.	QTY USED	PART DESCRIPTION
1			Board, Printed Circuit – Mother Utility to Genset	4			Board, Printed Circuit – Voltage Sensor (J1, J3)
	300-3953-01	1	Standard		300-3121	1	Undervoltage (50Hz & 60Hz)
	300-3953-02	1	Extended Time Delay		300-3093-01	1	Over/Under Voltage & Over/Under Frequency (60Hz)
	300-3267	1	Genset to Genset				Over/Under Voltage & Over/Under Frequency (50Hz)
	300-3267	1	Utility to Utility		300-3093-02	1	Over/Under Voltage & Over/Under Frequency (50Hz)
2	306-3980	1	Cover, Board – Printed Circuit (Includes Decals)	5	300-3092	1	Board, Printed Circuit – Transformer (60Hz)
	098-5661	1	Decal, Cover	6	815-0544	9	Screw, Machine – Round Head W/IT (#6-32 x 1/2)
	098-5766	1	Decal, Switch	7	517-0256	10	Plug, Hole
3			Board, Printed Circuit – Time Delay (J2)	8	323-1387	1	Pin, Ribbon
	300-3094	1	Standard Time Delay	9	332-1877	5	Tie, Cable
	300-3261		Extended Time Delay				

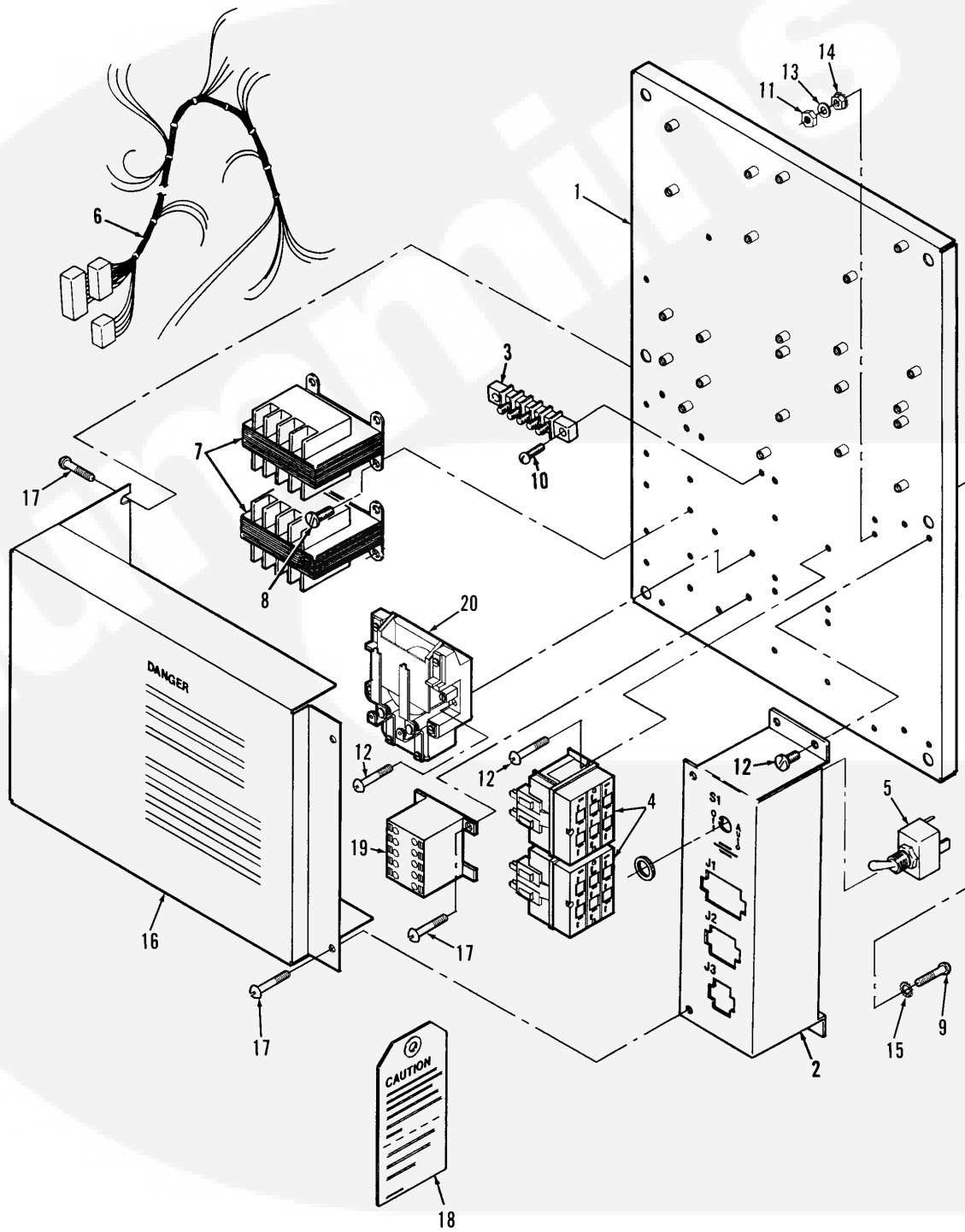
Accessory Control Plate (Except Non-Automatic)



Accessory Control Plate (Except Non-Automatic)

REF NO.	PART NO.	QTY USED	PART DESCRIPTION	REF NO.	PART NO.	QTY USED	PART DESCRIPTION
1			Plate (Includes Label)	9	810-0085	1	Screw, Machine – Round Head (#8-32 x 1-1/8)
	319-0628	1	Standard				
	319-0755	1	Load Shed	10	815-0539	2	Screw, Machine – Round Head (#8-32 x 5/8)
2			Bracket (Includes Label)				
	301-9753	1	Standard	11	860-0008	1	Nut, Hex (#8-32)
	301-9774	1	Load Shed	12	815-0538	8	Screw, Machine – Round Head (#8-32 x 1/2)
3	332-2933	1	Block, Terminal				
4	307-2694	2	Contactor, Reversing (K1 & K2)	13	526-0048	1	Washer, Flat (#8)
5	308-0406	1	Switch, Toggle	14	870-0221	1	Nut, Lock – W/ET (#8-32)
6	338-2439	1	Harness, Main	15	856-0002	1	Washer, Lock – EIT (#8)
7			Transformer, Power (T1 & T2)	16	319-0702	1	Shield (Includes Silkscreen)
	315-0655-02	2	208, 240 & 480 Volt	17	815-0544	8	Screw, Machine – Round Head (#6-32 x 1/2)
	315-0655-03	2	347, 380 & 416 volt				
	315-0655-04	2	600 Volt	18	098-5589	1	Label, Caution
8	815-0538	8	Screw, Machine – Round Head (#8-32 x 1/2)		098-6060	1	Label, Plate (Not Illustrated)
					098-5681	1	Label, Bracket (Not Illustrated)

Accessory Control Plate (Non-Automatic and Load Shed)



Accessory Control Plate (Non-Automatic and Load Shed)

REF NO.	PART NO.	QTY USED	PART DESCRIPTION	REF NO.	PART NO.	QTY USED	PART DESCRIPTION
1	319-0628	1	Plate	12	815-0538	8	*Screw, Machine – Round Head (#8-32 x 1/2)
	319-0755	1	Non-Automatic Load Shed	13	526-0048	1	Washer, Flat (#8)
2			Bracket	14	870-0221	1	Nut, Lock – W/ET (#8-32)
	301-9753	1	Non-Automatic	15	856-0002	1	Washer, Lock – EIT (#8)
	301-9774	1	Load Shed	16	319-0702	1	*Shield (Includes Silkscreen)
3	332-2933	1	*Block, Terminal	17			Screw, Machine – Round Head (#6-32 x 1/2)
4	307-2694	2	Contactor, Reversing (K1 & K2)		815-0544	8	Non-Automatic
5	308-0406	1	Switch, Toggle (S1)		815-0544	2	Load Shed
6	338-2497	1	*Harness, Main	18	098-5589	1	*Label, Caution
7			*Transformer, Power (T1 & T2)	19			Relay(K4)
	315-0655-02	2	208, 240 & 480 Volt		307-2689	1	Non-Automatic
	315-0655-03	2	347, 380 & 416 volt		307-2648	1	Load Shed
	315-0655-04	2	600 Volt		307-2697	1	Relay (K5)
8	815-0538	8	Screw, Machine – Round Head (#8-32 x 1/2)	20	525-0440	1	Paint, White (Not Illustrated)
9	810-0085	1	Screw, Machine – Round Head (#8-32 x 1-1/8)		098-6094	1	*Label, Plate (Not Illustrated)
10	815-0539	2	Screw, Machine – Round Head (#8-32 x 5/8)		098-5681	1	*Label, Bracket (Not Illustrated)
11	860-0008	1	Nut, Hex (#8-32)				

* = Not used on Load Shed

Plate Assembly (Open Construction)

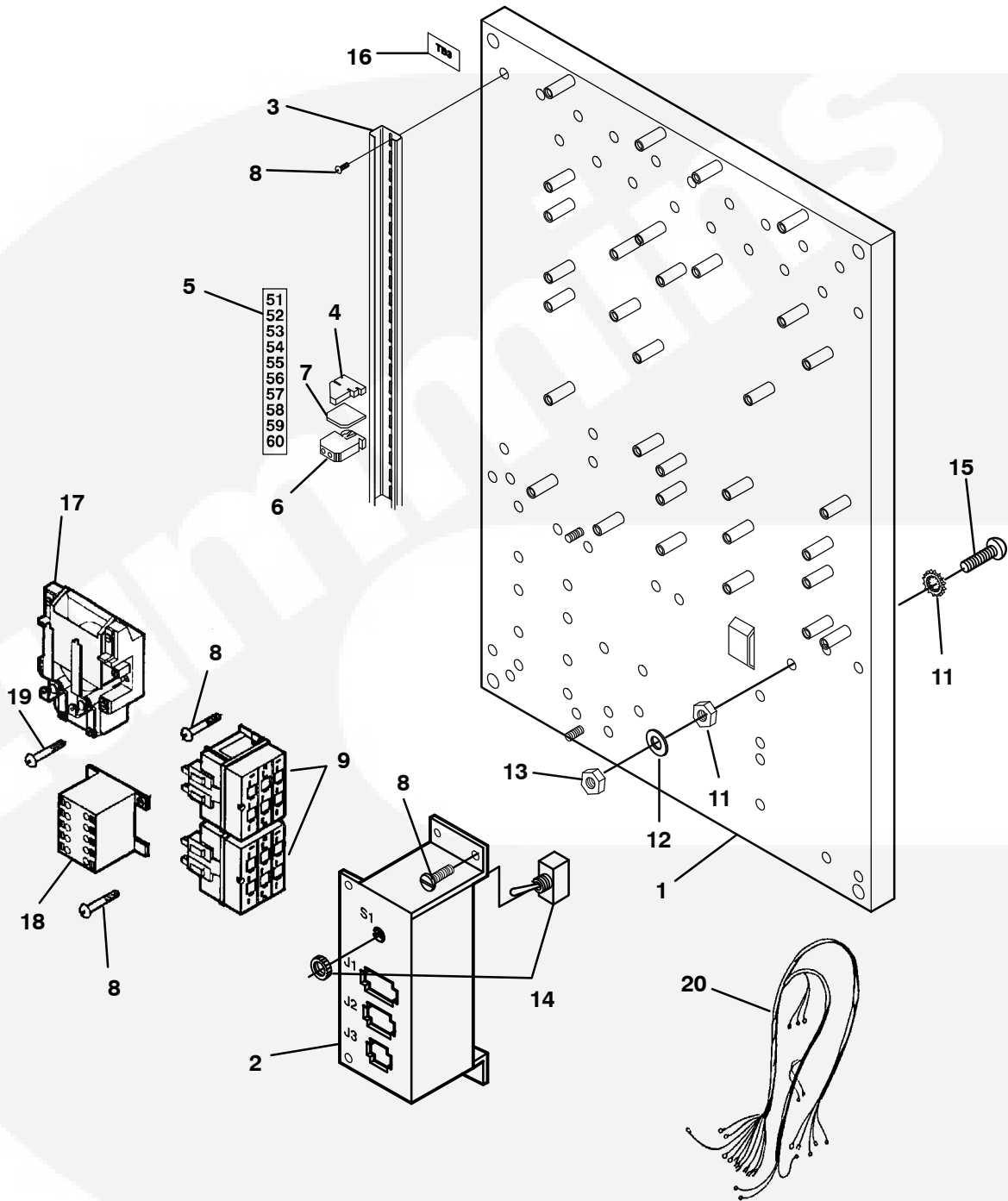
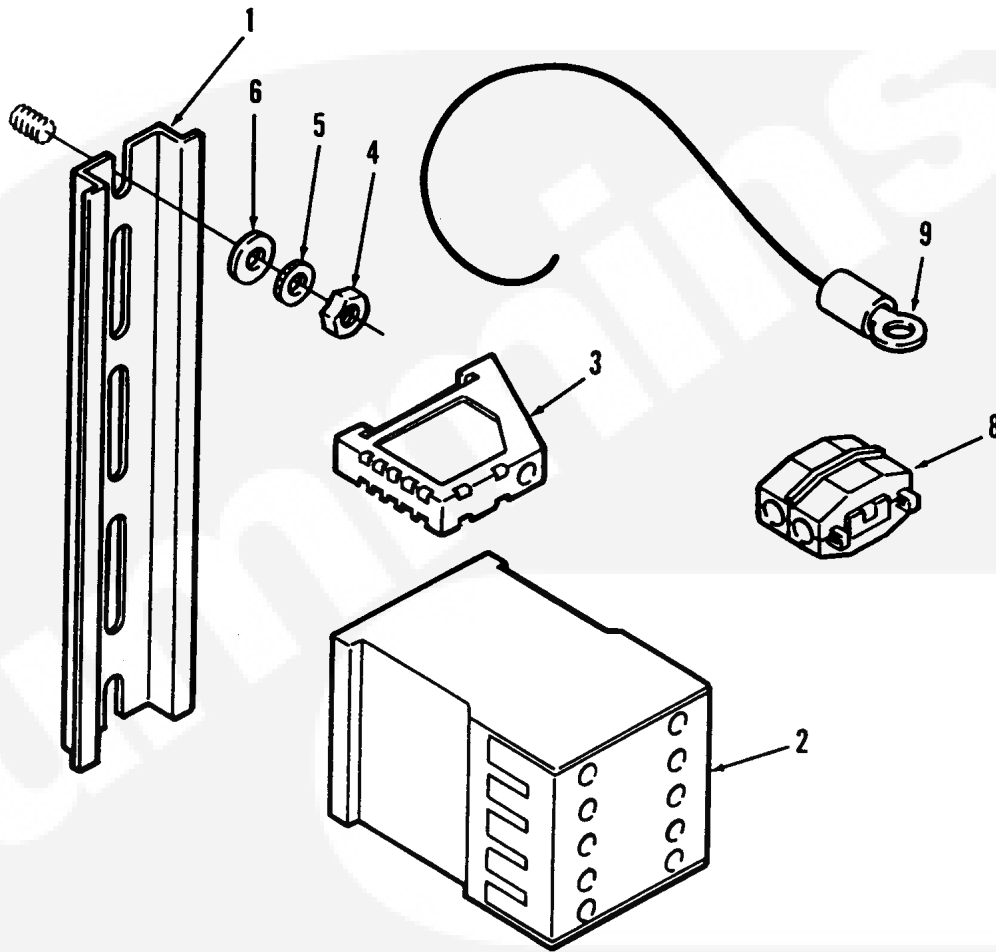


Plate Assembly (Open Construction)

REF NO.	PART NO.	QTY USED	PART DESCRIPTION	REF NO.	PART NO.	QTY USED	PART DESCRIPTION
1	319-2050-01	1	Plate	11	870-0221	1	Nut, Hex W/ET (#8-32)
	098-6696	1	Label, Plate	12	526-0048	1	Washer, Flat (#8)
2	301-9753	1	Bracket	13	860-0008	1	Nut, Hex (#8-32)
	098-5681	1	Label, Bracket	14	308-0406	1	Switch, Toggle (DPDT) (S1)
3	332-2837-07	1	Rail, Terminal (50 Place)	15	810-0085	1	Screw, Round Head (#8-32 x 1-1/8)
4	332-2839	2	Bracket, End - Terminal	16	098-5710	1	Label, Block - Terminal (TB3)
5	332-2842-16	1	Tag, Terminal (51-60)	17	307-2697	1	*Relay, Power (K5)
6	332-2836-02	1	Block, Terminal - Sectional	18	307-2648	1	*Relay (K4)
7	332-2841	1	Plate, End - Terminal	19	815-0447	2	*Screw, Round Head - Cross Recessed W/IT (#8-32 x 3/4)
8			Screw, Round Head - Cross Recessed W/IT (Thread Cutting) (#8-32 x 1/2)	20	338-2913	1	Harness, Extension J1, J2, J3, P1, P2, and P3(4 feet)
	815-0446	10	Standard				
	815-0446	12	Non-Automatic/Remote				
9	307-2694	2	Contact, Reversing				
10	856-0002	1	Washer, EIT (#8)				

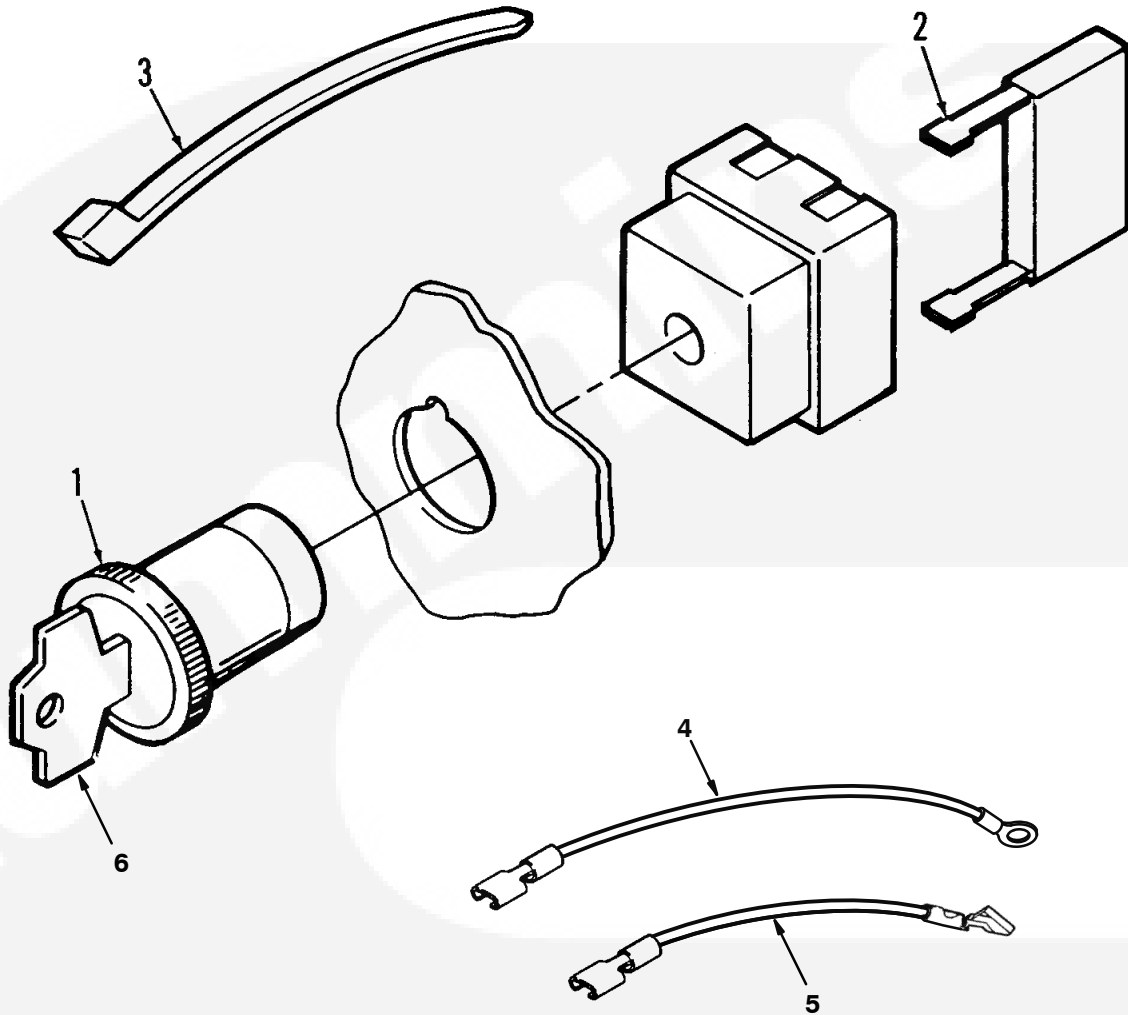
* - Used on Non-Automatic/Remote Only.

Auxiliary Relay



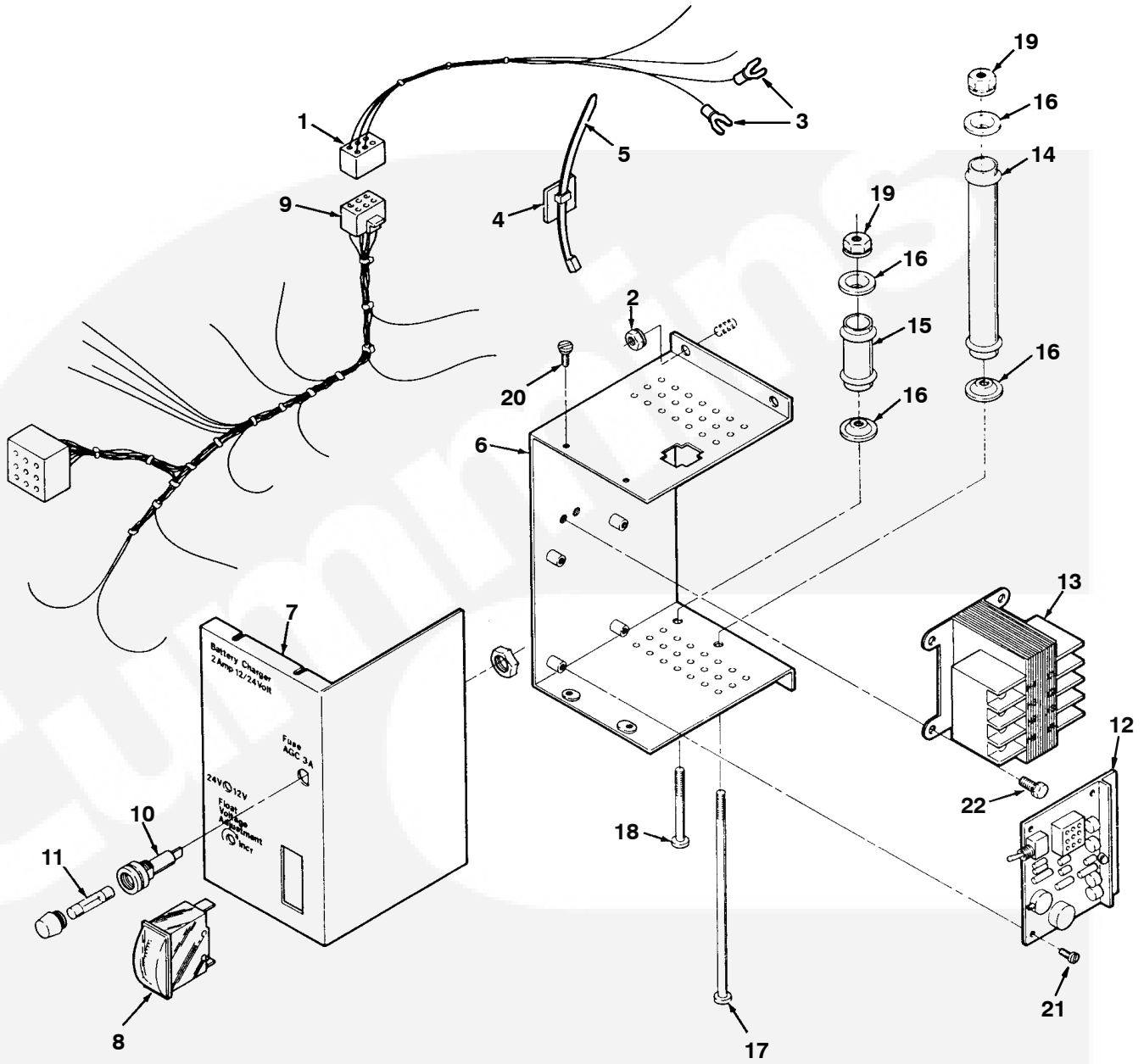
REF NO.	PART NO.	QTY USED	PART DESCRIPTION	REF NO.	PART NO.	QTY USED	PART DESCRIPTION
1	332-2879-02	1	Rail, Terminal	4	860-0008	2	Nut, Hex (#8-32)
2			Relay, Control	5	853-0005	2	Washer, Lock - ET (#8)
	307-2578	1	24 VAC	6	526-0003	2	Washer, Flat (#8)
	307-2582	1	12 VDC	8	332-2230	1	Terminal, Tap - Plier
	307-2583	1	24 VDC	9	332-0802	1	Terminal, Ring (#8)
3	332-2878	2	Bracket, End				

Auto/Manual Switch



REF NO.	PART NO.	QTY USED	PART DESCRIPTION	REF NO.	PART NO.	QTY USED	PART DESCRIPTION
1			Switch, Selector (S14) (Includes Key)	3	332-0942	10	Tie, Cable
	308-0889	1	NEMA 1	4	226-3569-01	1	Lead (S14-14, GND)
	308-0990	1	NEMA 3 & 4	5	226-3569-02	1	Lead (S14-13, J7-3)
2	308-0850	1	Block, Contact - Normally Closed (NEMA 1)	6			Key, Replacement (Fits Item 1)
					308-0989	1	NEMA 1
					308-0988	1	NEMA 3 & 4

Battery Charger (2 Amp)

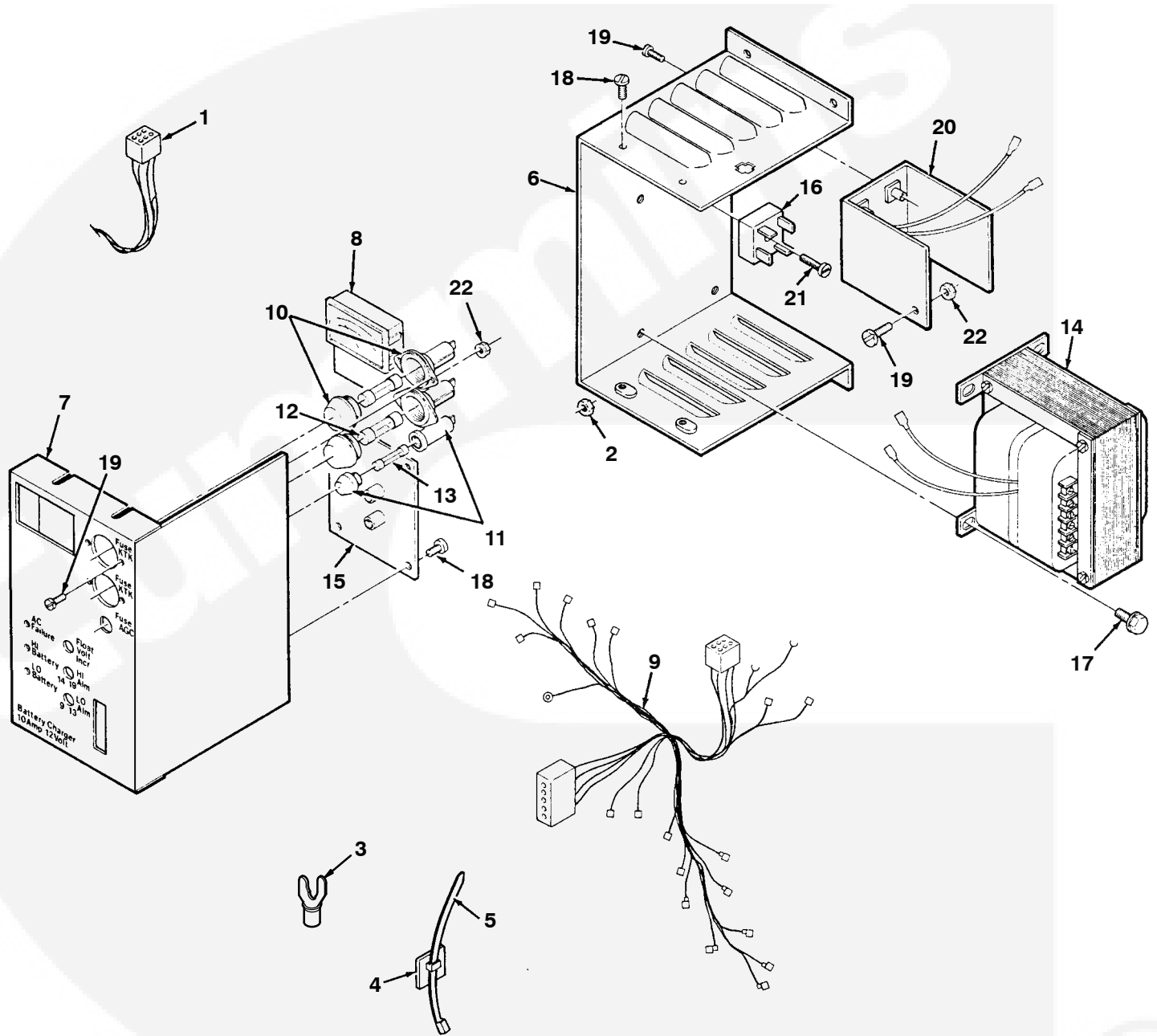


Battery Charger (2 Amp)

REF NO.	PART NO.	QTY USED	PART DESCRIPTION	REF NO.	PART NO.	QTY USED	PART DESCRIPTION
1	338-2161	1	Harness, Wiring – Battery Charger	14	304-0037	1	Resistor, Fixed (6 Ohms – 75 Watts)
2	870-0131	4	Nut, Lock – W/ET (#10-32)	15	304-0139	1	Resistor, Fixed (2.5 Ohms – 25 Watts)
3	332-2777	2	Terminal, Spade	16	304-0015	4	Washer, Centering
4	332-2420	8	Mount, Tie – Cable	17	813-0116	1	Screw, Machine – Round Head (#10-32 x 6-1/2)
5	332-0942	20	Tie, Cable	18	813-0112	1	Screw, Machine – Round Head (#10-32 x 2-1/2)
6	301-9990	1	Wrapper, Charger – Battery	19	870-0131	2	Nut, Lock – W/ET (#10-32)
7	301-9992	1	Cover, Charger (Includes Silkscreen)	20	815-0550	4	Screw, Machine – Pan Head (#6-32 x 3/8)
8	302-0807	1	Ammeter – DC	21	815-0549	4	Screw, Machine – Pan Head (#6-32 x 1/4)
9	338-2149	1	Harness, Wiring – Battery Charger	22	821-0040	4	Screw, Lock (#10-32 x 5/16)
10	321-0175	1	Holder, Fuse				
11	321-0153	1	Fuse, 3 Amp				
12	300-2946	1	Board, Printed Circuit – Battery Charger				
13			Transformer (Primary Voltage)				
			60 Hertz				
	315-0621-01	1	120 Volt				
	315-0621-02	1	208 Volt				
	315-0621-02	1	240 Volt				
	315-0621-03	1	380 Volt				
	315-0621-02	1	480 Volt				
	315-0621-04	1	600 Volt				
			50 Hertz				
	315-0621-02	1	200 Volt				
	315-0621-02	1	208 Volt				
	315-0621-02	1	220 Volt				
	315-0621-03	1	380 Volt				
	315-0621-03	1	416 Volt				



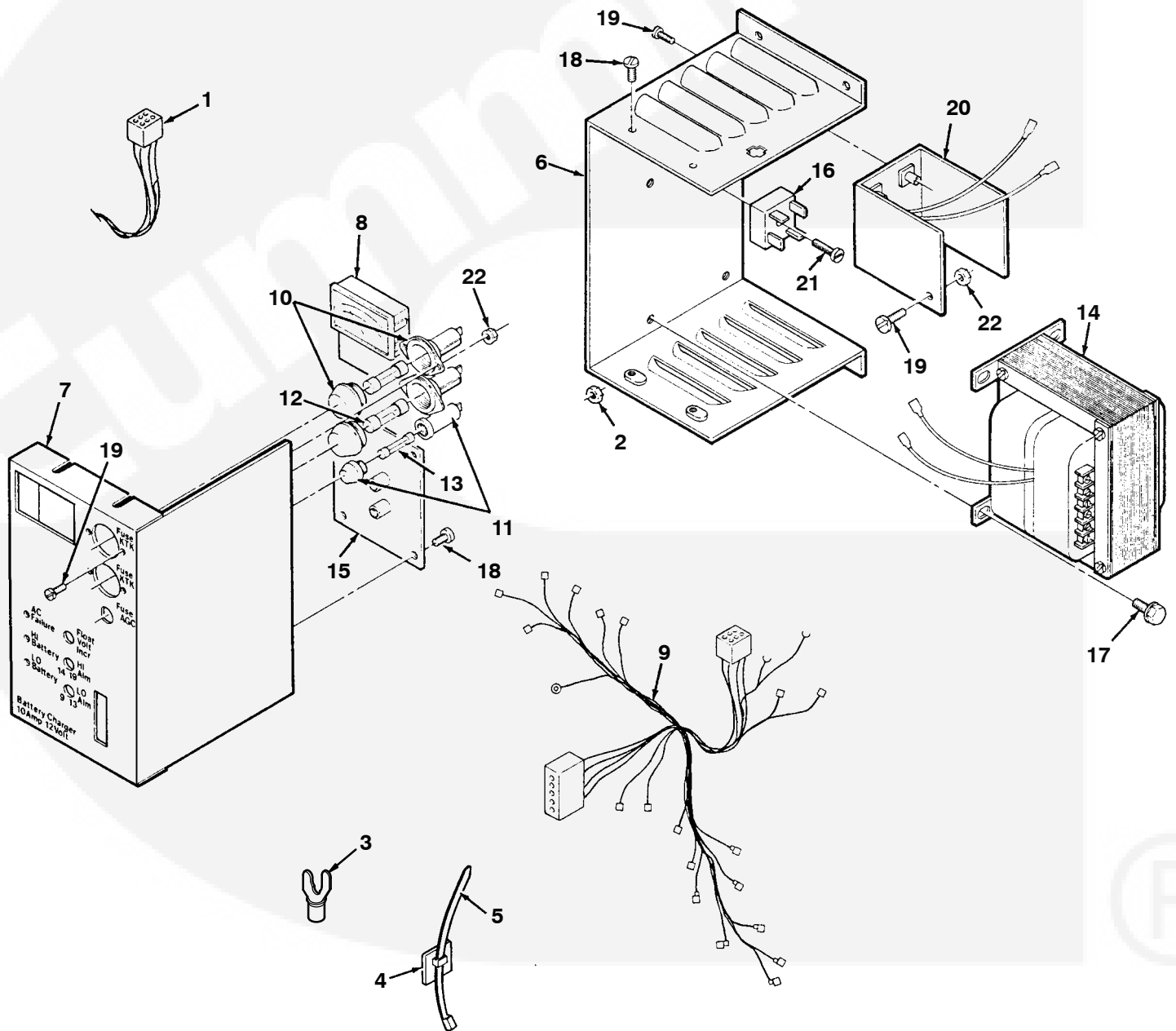
Battery Charger (10 Amp) (12 Volt)



Battery Charger (10 Amp) (12 Volt)

REF NO.	PART NO.	QTY USED	PART DESCRIPTION	REF NO.	PART NO.	QTY USED	PART DESCRIPTION
1	338-2161	1	Harness, Wiring – Battery Charger	14			Transformer (Primary Voltage)
2	870-0131	4	Nut, Lock – W/ET (#10-32)		315-0700	1	60 Hertz 120 Volt
3	332-2777	2	Terminal, Spade		315-0700	1	208 Volt
4	332-2420	8	Mount, Tie – Cable		315-0700	1	240 Volt
5	332-0942	20	Tie, Cable		315-0706	1	380 Volt
6	319-0072	1	Wrapper, Charger – Battery		315-0708	1	480 Volt
7	319-0073		Cover, Charger		315-0710	1	600 Volt
7A			Label				50 Hertz
			60 Hertz		315-0702	1	200 Volt
	098-5807	1	120 Volt		315-0704	1	220 Volt
	098-5808	1	208 Volt		315-0712	1	240 Volt
	098-5809	1	240 Volt		315-0714	1	347 Volt
	098-5995	1	380 Volt		315-0702	1	380 Volt
	098-5996	1	480 Volt		315-0702	1	400 Volt
	098-6039	1	600 Volt		315-0704	1	416 Volt
			50 Hertz		315-0704	1	440 Volt
	098-5808	1	200/220 Volt	15	300-3160	1	Board, Printed Circuit – Battery Charger
	098-5809	1	240 Volt				
	098-5995	1	347/380/400 Volt	16	305-0653	1	Rectifier, Bridge
	098-5996	1	416/440 Volt	17	821-0040	4	Screw, Lock (#10-32 x 5/16)
8	302-1844	1	Ammeter – DC	18	815-0550	8	Screw, Machine – Pan Head W/ET (#6-32 x 3/8)
9	338-2223	1	Harness, Wiring – Battery Charger	19	822-2048	5	Screw, Machine – Pan Head (#8-32 x 1/2)
10	321-0237	1	Holder, Fuse (AC Input)	20	305-0781	1	Rectifier, SCR
11	321-0104	1	Holder, Fuse (DC Output)	21	822-2049	1	Screw, Machine – Pan Head W/ET (#8-32 x 5/8)
12			Fuse	22	870-0221	5	Nut, Lock – W/ET (#8-32)
			500 Volt		C-0308	1	Instruction Sheet (Not Illustrated)
	321-0304-01	2	1.0 Amp				
	321-0304-02	2	1.5 Amp				
	321-0304-03	2	2.0 Amp				
	321-0304-04	2	2.5 Amp				
	321-0304-05	2	4.5 Amp				
			600 Volt				
	321-0236	2	1.0 Amp				
13	321-0127	1	Fuse, 15 Amp				

Battery Charger (10 Amp (24 Volt))

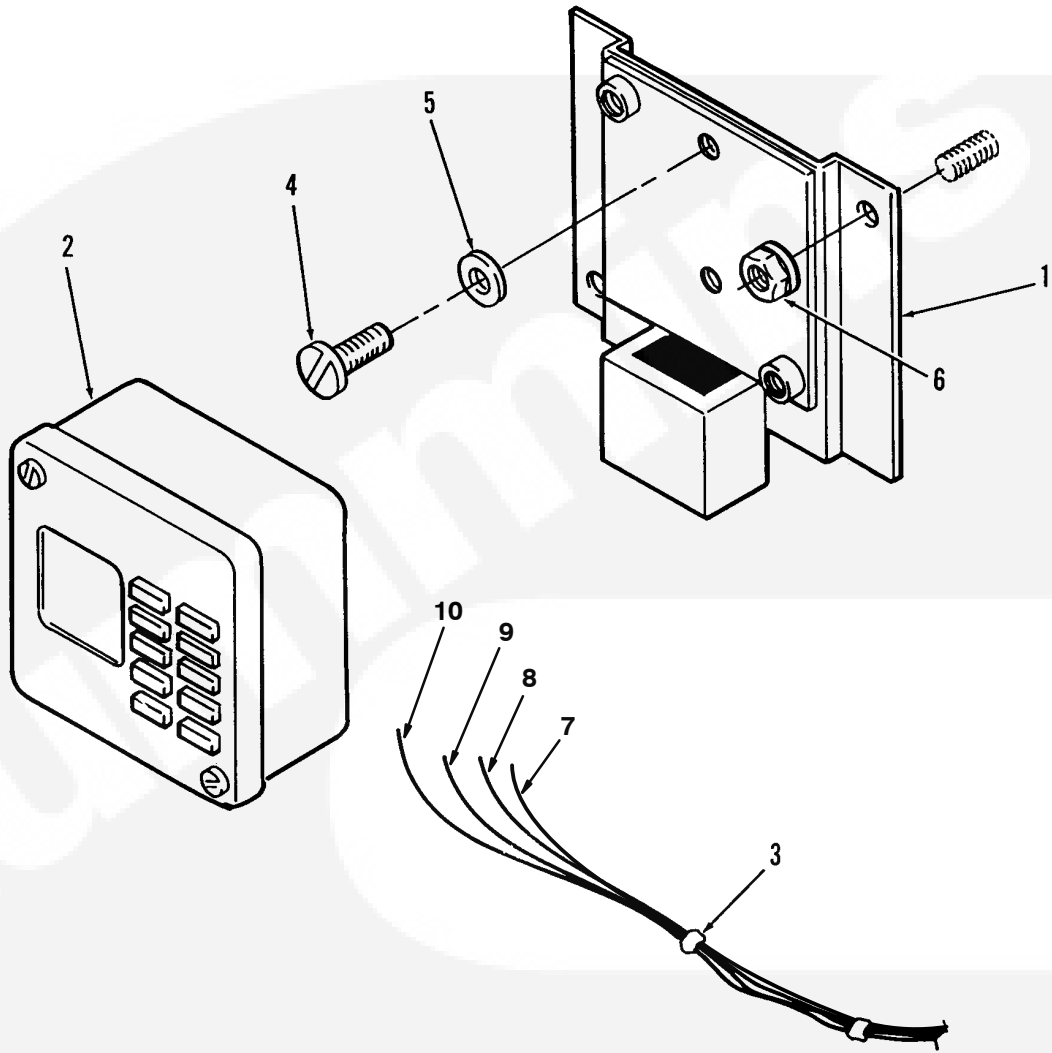


Battery Charger (10 Amp) (24 Volt)

REF NO.	PART NO.	QTY USED	PART DESCRIPTION	REF NO.	PART NO.	QTY USED	PART DESCRIPTION
1	338-2161	1	Harness, Wiring – Battery Charger			1	60 Hertz 120 Volt
2	870-0131	4	Nut, Lock – W/ET (#10-32)		315-0701	1	208 Volt
3	332-2777	2	Terminal, Spade		315-0701	1	240 Volt
4	332-2420	8	Mount, Tie – Cable		315-0707	1	380 Volt
5	332-0942	20	Tie, Cable		315-0709	1	480 Volt
6	319-0072	1	Wrapper, Charger – Battery		315-0711	1	600 Volt
7	319-0073		Cover, Charger				50 Hertz
7A			Label		315-0703	1	200 Volt
			60 Hertz		315-0705	1	220 Volt
	098-5914	1	120/208 Volt		315-0713	1	240 Volt
	098-5915	1	240 Volt		315-0715	1	347 Volt
	098-5916	1	380 Volt		315-0703	1	380 Volt
	098-5997	1	480 Volt		315-0703	1	400 Volt
	098-5998	1	600 Volt		315-0705	1	416 Volt
			50 Hertz		315-0705	1	440 Volt
	098-5914	1	200/220 Volt	15	300-3244	1	Board, Printed Circuit – Battery Charger
	098-5915	1	240 Volt				
	098-5916	1	347/380/400/416/440 Volt	16	305-0653	1	Rectifier, Bridge
8	302-1844	1	Ammeter – DC	17	821-0040	4	Screw, Lock (#10-32 x 5/16)
9	338-2223	1	Harness, Wiring – Battery Charger	18	815-0550	8	Screw, Machine – Pan Head W/ET (#6-32 x 3/8)
10	321-0237	1	Holder, Fuse (AC Input)	19	822-2048	5	Screw, Machine – Pan Head (#8-32 x 1/2)
11	321-0104	1	Holder, Fuse (DC Output)				
12			Fuse	20	305-0781	1	Rectifier, SCR
			500 Volt	21	822-2049	1	Screw, Machine – Pan Head W/ET (#8-32 x 5/8)
	321-0304-02	2	1.5 Amp				
	321-0304-03	2	2.0 Amp	22	870-0221	5	Nut, Lock – W/ET (#8-32)
	321-0304-04	2	2.5 Amp		C-0308	1	Instruction Sheet (Not Illustrated)
	321-0304-05	2	4.5 Amp				
	321-0304-06	2	5.0 Amp				
			600 Volt				
	321-0303-01	2	1.5 Amp				
13	321-0127	1	Fuse, 15 Amp				
14			Transformer (Primary Voltage)				

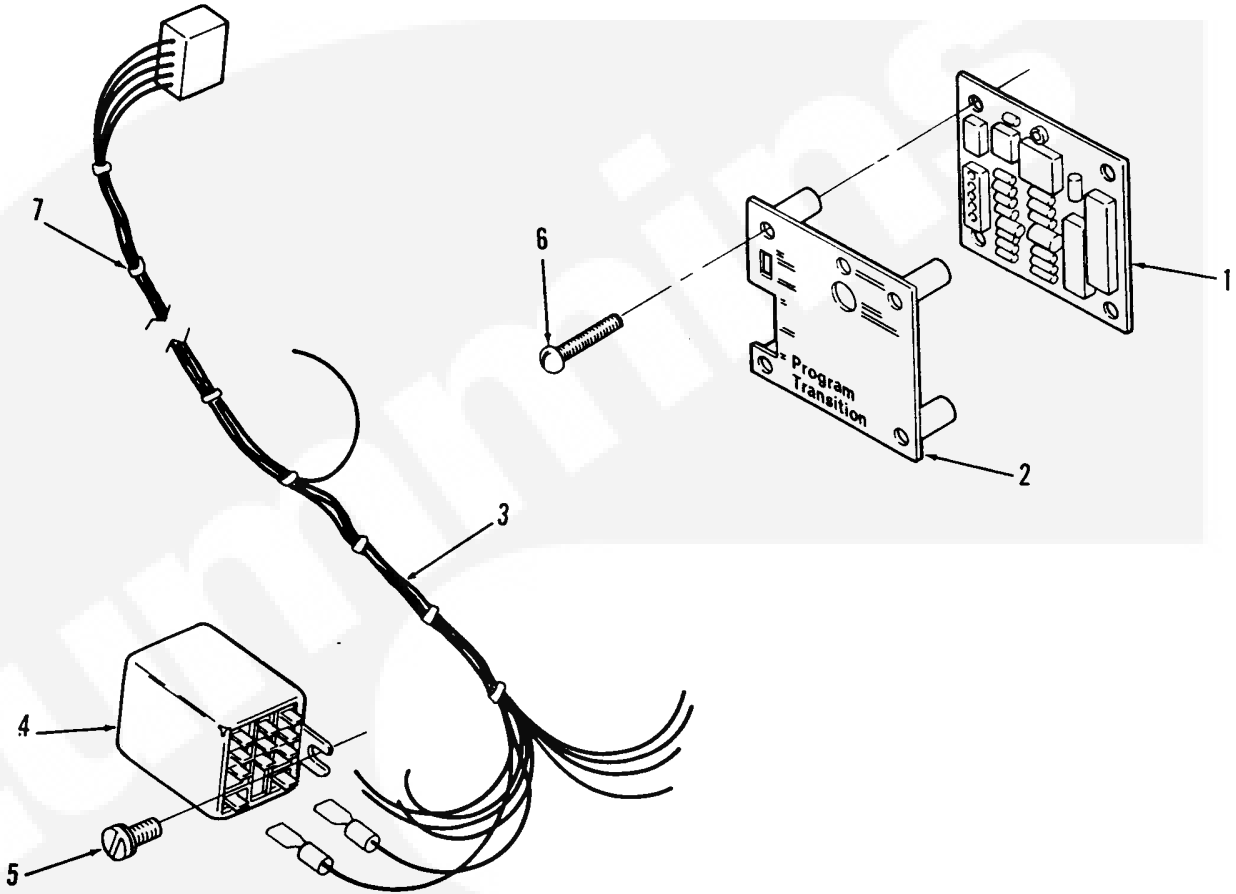


Exerciser Clock



REF NO.	PART NO.	QTY USED	PART DESCRIPTION	REF NO.	PART NO.	QTY USED	PART DESCRIPTION
1	301-9768	1	Plate, Clock - Exerciser	8	226-3568-02	1	Lead (M5-U2/GND)
2	307-2577	1	Clock, Exerciser	9	226-3568-04	1	Lead (M5-4/J7-8)
3	332-0942	10	Tie, Cable	10			Lead
4	812-0061	2	Screw, Machine - Round Head (#6-32 x 3/8)		226-3568-03	1	Utility to Utility (M5-U2/M5-1)
5	853-1003	2	Washer, Lock (#6)		226-3568-03	1	Utility to Genset (M5-U2/M5-1)
6	870-0131	2	Nut, Lock - W/ET (#10-32)				
7	226-3568-01	1	Lead (M5-U1/T1-X1)				

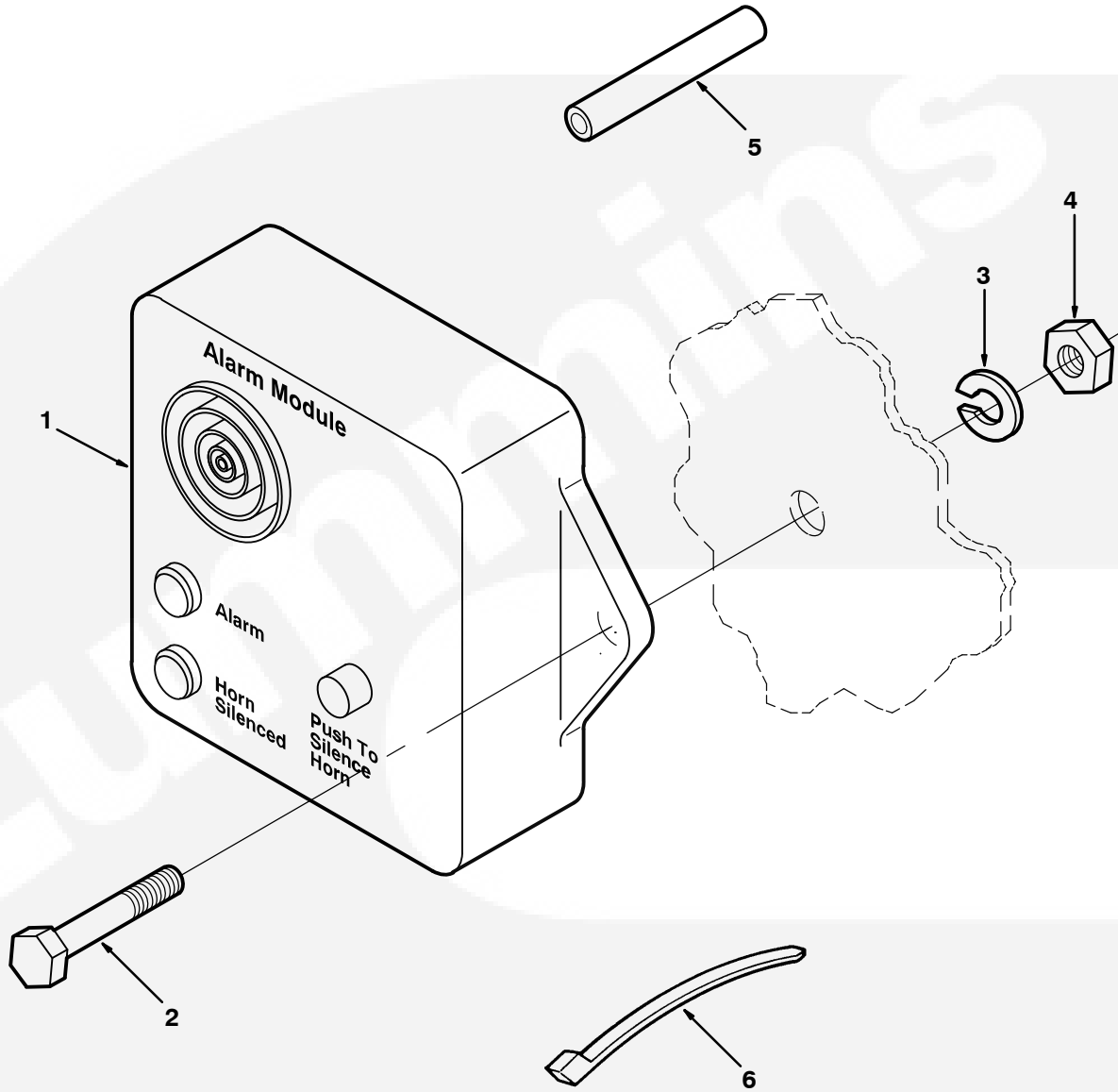
Programmed Transition



REF NO.	PART NO.	QTY USED	PART DESCRIPTION	REF NO.	PART NO.	QTY USED	PART DESCRIPTION
1			Board, Printed Circuit – Programmed Transition	6	815-0680	4	Screw, Machine – Pan Head Cross Recessed W/ET (#6-32 x 1)
	300-3115-01	1	07.5 Seconds				
	300-3115-02	1	60.0 Seconds	7	332-0942	8	Tie, Cable Label, Cover (Not Illustrated)
2	301-9927		Cover, Programmed Transition		098-5689	1	07.5 Seconds
3			Harness, Wiring – Programmed Transition		098-5700	1	60.0 Seconds
	338-2475	1	Standard		307-2575	2	*Relay, 3PDT (Not Illustrated)
	338-2908	1	Non-Automatic		815-0122	4	*Screw, Hex Head – Self-Tapping (#6-32 x 1/2) (Not Illustrated)
4	307-2591	1	Relay, Programmed Transition (K3)		332-2230	2	*Splice, Inline (22-18 AWG) (Not Illustrated)
5	815-0550	1	Screw, Machine – Pan Head W/ET (#6-32 x 3/8)				

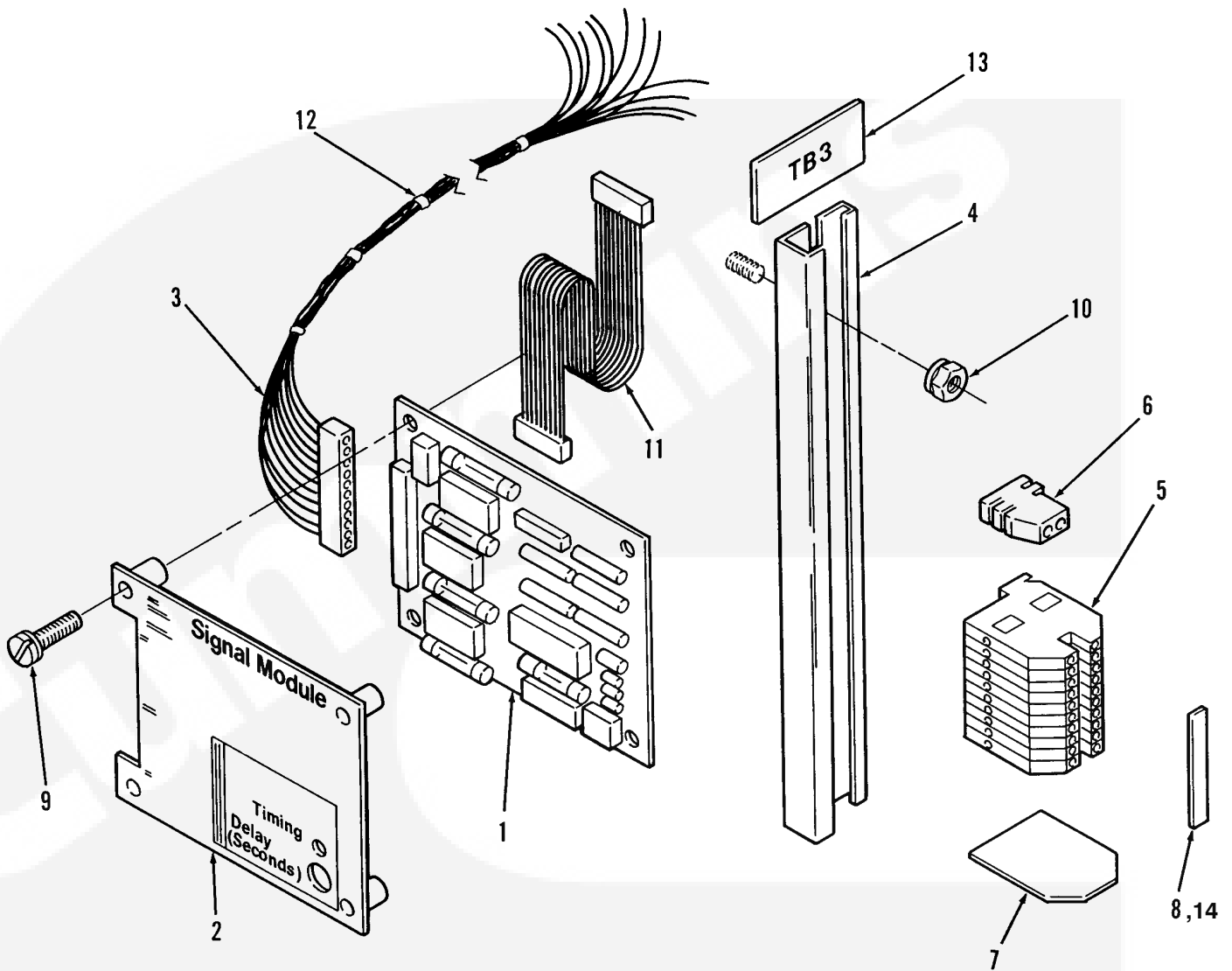
* Used on Non-Automatic Only.

Alarm Module



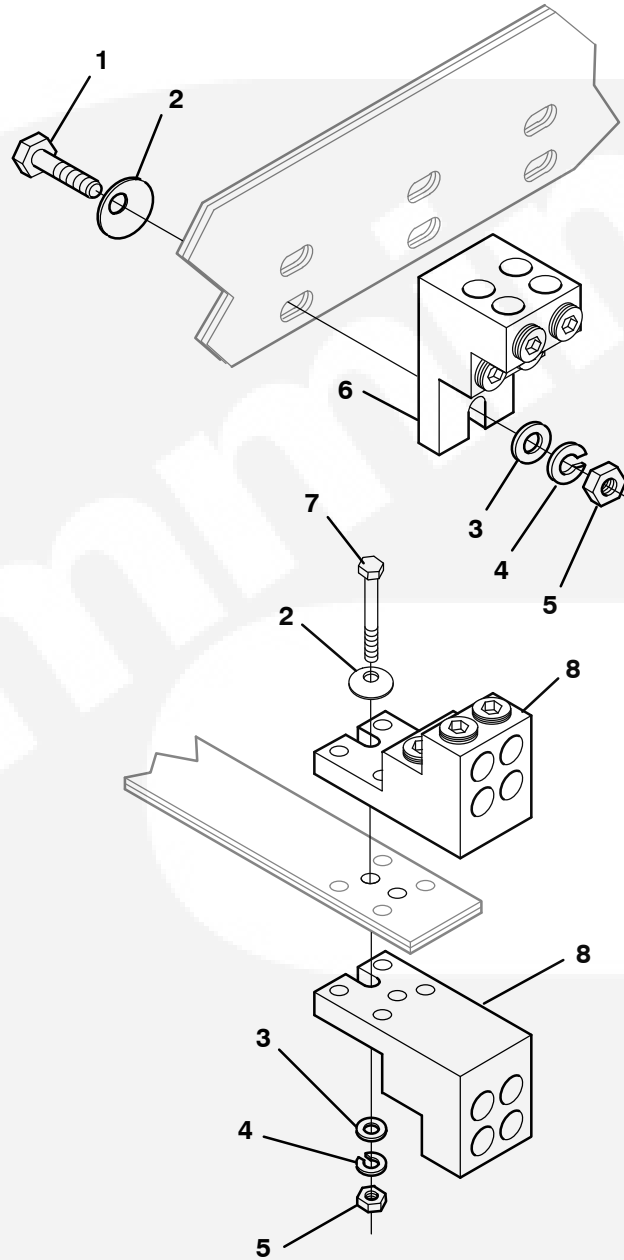
REF NO.	PART NO.	QTY USED	PART DESCRIPTION	REF NO.	PART NO.	QTY USED	PART DESCRIPTION
1	300-3998-01	1	Module, Alarm 24 Volt	4	862-0001	2	Nut, Hex (1/4-20)
	300-3998-02	1	12 Volt	5	332-2230	2	Splice, Inline (22-18 wire)
2	800-0006	2	Screw, Cap - Hex Head (1/4-20 x 7/8)	6	332-0942	3	Tie, Cable
3	850-0040	2	Washer, Lock (1/4)		539-1344	1	Template, Alarm Module (Not Illustrated)

Signal Module



REF NO.	PART NO.	QTY USED	PART DESCRIPTION	REF NO.	PART NO.	QTY USED	PART DESCRIPTION
1	300-3096	1	Board, Printed Circuit - Signal	9	815-0680	4	Screw, Machine - Pan Head Recessed W/ET (#6-32 x 1)
2	301-9931	1	Cover	10	870-0221	2	Nut, Hex W/ET (#8-32)
3	338-2140	1	Harness, Wiring	11	332-1409	1	Pin, Ribbon
4	332-2837-09	1	Rail, Terminal	12	332-0942	10	Tie, Cable
5	332-2836-02	2	Block, Terminal - Sectional	13	098-5710	1	Label, Terminal Block
6	332-2839	2	Bracket, End - Terminal	14	332-2842-13	2	Tag, Terminal (21-30)
7	332-2841	1	Plate, End - Terminal	15	098-5691	1	Label, Cover
8	332-2842-12	2	Tag, Terminal (11-20)				

Lugs (1600/2000 Amp)

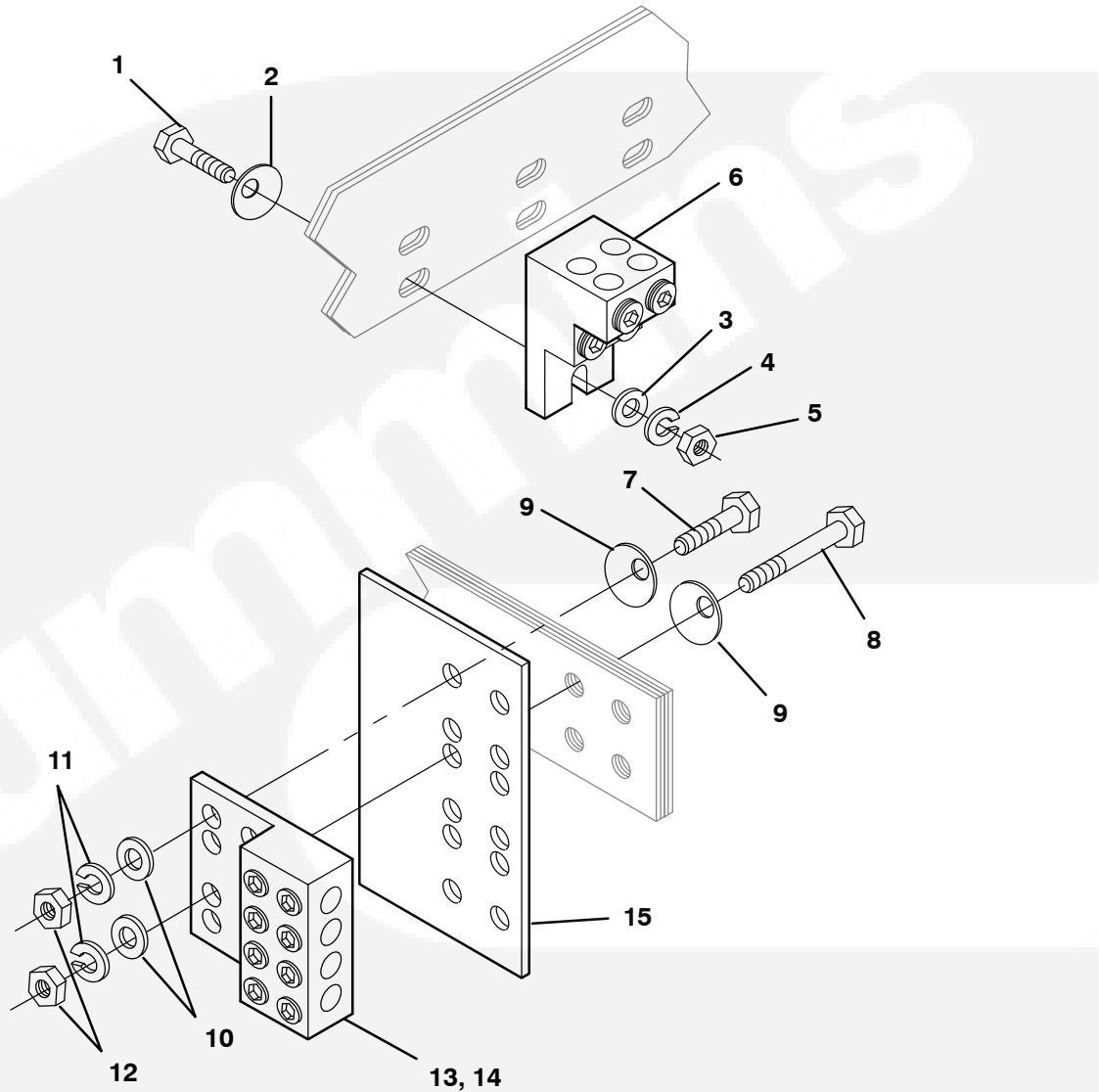


626-2088

REF NO.	PART NO.	QTY USED	PART DESCRIPTION	REF NO.	PART NO.	QTY USED	PART DESCRIPTION
1	800-0056	12	*Screw, Cap - Hex Head (3/8-16 x 2-1/2)	7			Screw, Cap - Hex Head (3/8-16 x 3)
2	851-0022	48	Washer, Spring (3/8)		800-0058	36	3 Pole
3	526-0030	48	Washer, Flat (3/8)		800-0058	48	4 Pole
4	850-0050	48	Washer, Lock (3/8)	8			Lug, Modified
5	862-0003	48	Nut, Hex (3/8-16)		332-2995	18	3 Pole
6	332-1557	6	*Lug, Neutral		332-2995	24	4 Pole

* 3 Pole Only

Lugs (3000 Amp)

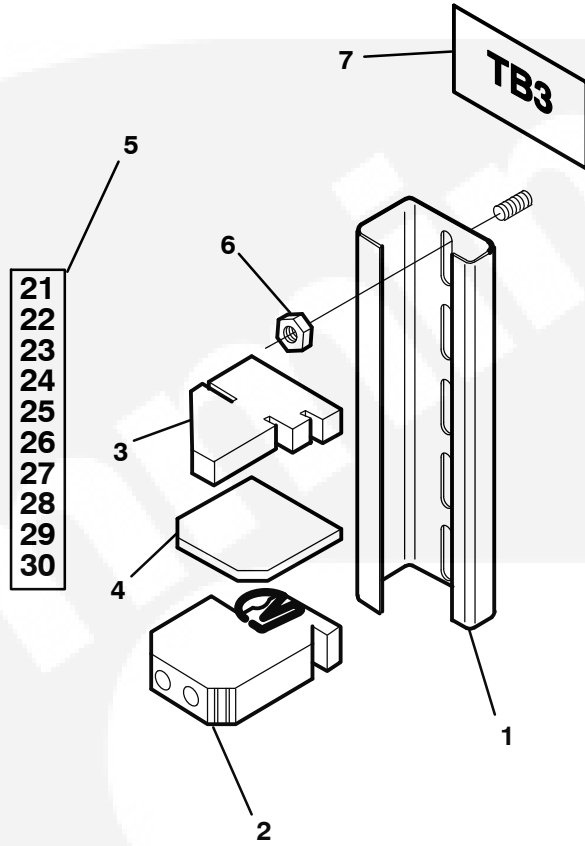


626-2097

REF NO.	PART NO.	QTY USED	PART DESCRIPTION	REF NO.	PART NO.	QTY USED	PART DESCRIPTION
1	800-0056	12	*Screw, Cap - Hex Head (3/8-16 x 2-1/2)	10	526-0219	60	Washer, Flat (1/2) 3 Pole
2	851-0022	12	*Washer, Spring (3/8)	10	526-0219	72	4 Pole
3	526-0030	12	*Washer, Flat (3/8)	11	850-0060	60	Washer, Lock (1/2) 3 Pole
4	850-0050	12	*Washer, Lock (3/8)	11	850-0060	72	4 Pole
5	862-0003	12	*Nut, Hex (3/8-16)	12	862-0016	60	Nut, Hex (1/2-13) 3 Pole
6	332-1557	6	*Lug, Neutral	12	862-0016	72	4 Pole
7	800-0093	24	Screw, Cap - Hex Head (1/2-13 x 1-3/4)	13	332-2998	4	Lug, Modified
8			Screw, Cap - Hex Head (1/2-13 x 3)	14	332-2427	60	Lug 3 Pole
	800-0098	36	3 Pole		332-2427	72	4 Pole
	800-0098	48	4 Pole	15	337-2441	6	Bus, Adapter - Lug
9			Washer, Spring (1/2)				
	851-0023	60	3 Pole				
	851-0023	72	4 Pole				

* 3 Pole Only

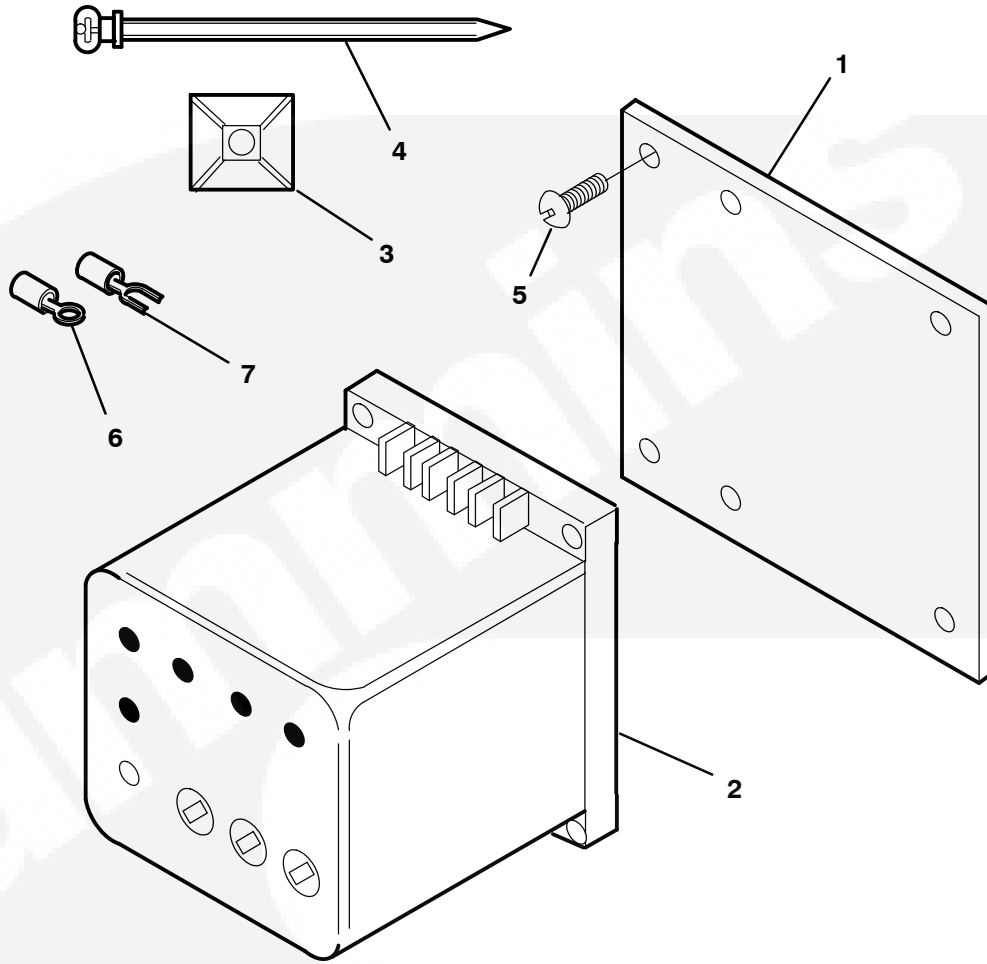
Load Shed



REF NO.	PART NO.	QTY USED	PART DESCRIPTION	REF NO.	PART NO.	QTY USED	PART DESCRIPTION
1	332-2837-09	1	*Rail, Terminal	6	870-0221	2	*Nut, Hex w/ET (#8-32)
2	332-2836-01	2	Block, Terminal - Sectional	7	098-5710	1	*Label, Block - Terminal
3	332-2839	2	Bracket, End - Terminal				
4	332-2841	1	Plate, End - Terminal				
5	332-2842-13	2	Tag, Terminal (21-30)				

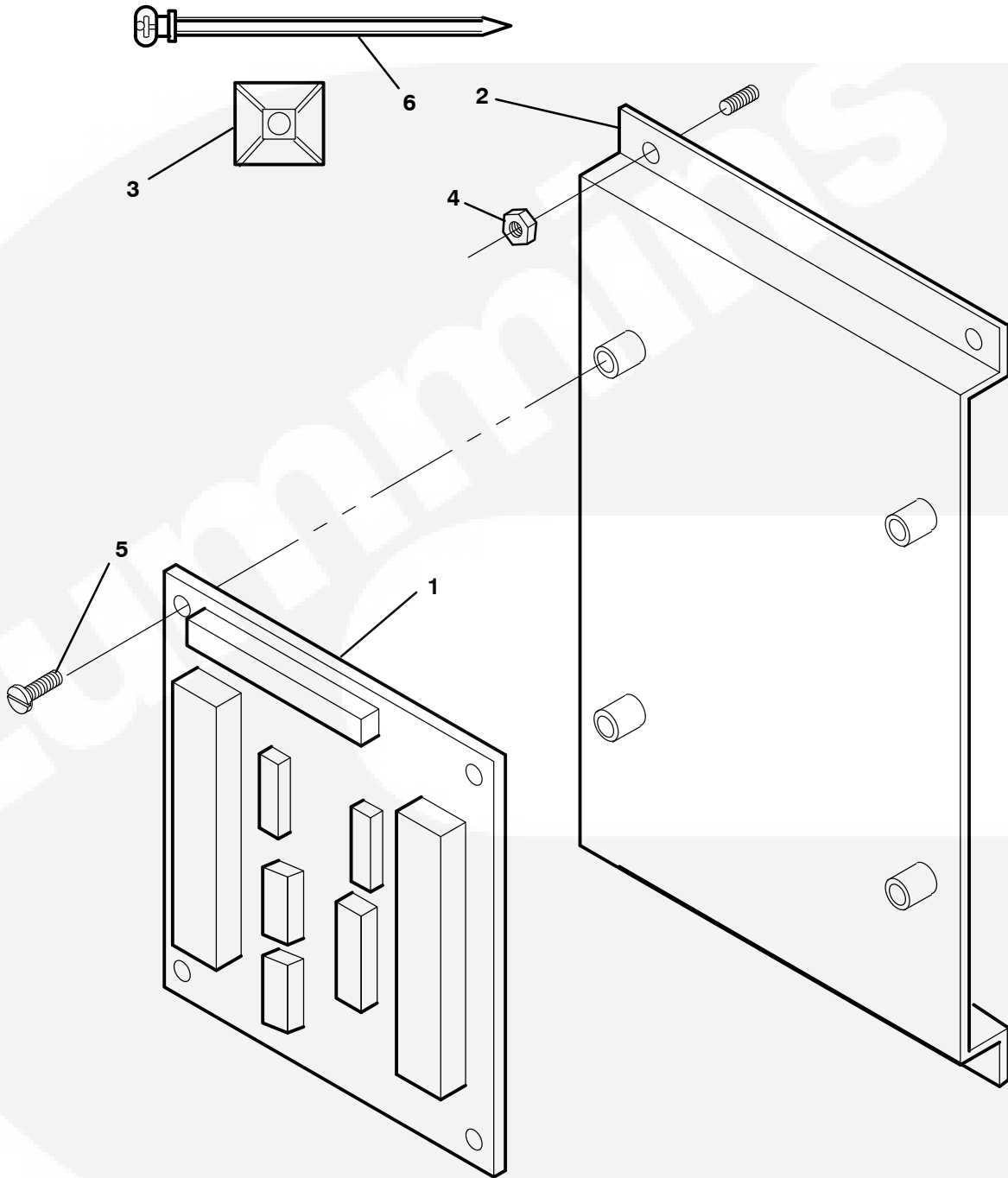
* Not used with Open Construction

Monitor



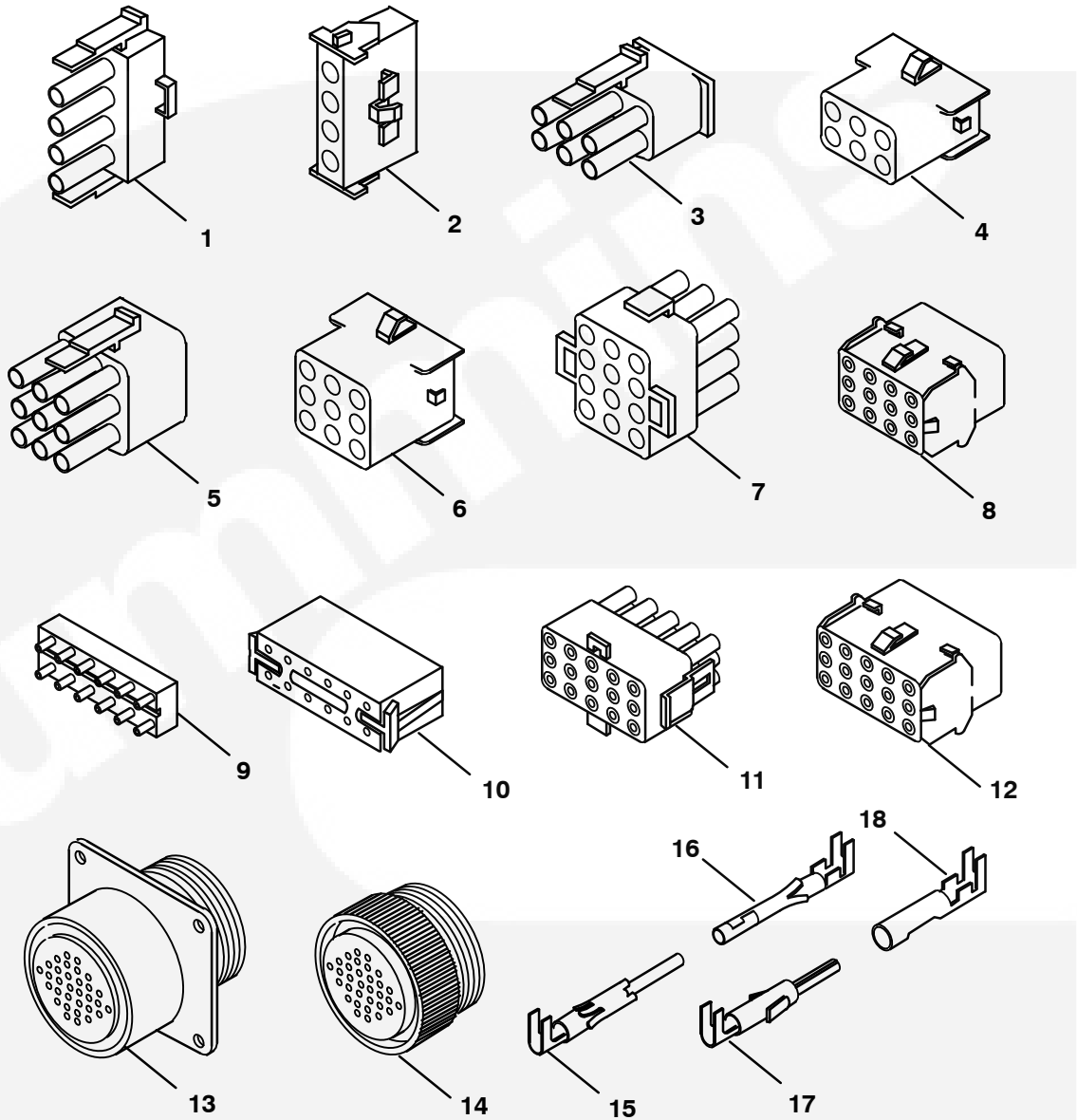
REF NO.	PART NO.	QTY USED	PART DESCRIPTION	REF NO.	PART NO.	QTY USED	PART DESCRIPTION
1	319-0976-00	1	Plate, Relay	4	332-0941	15	Tie, Cable
2			Relay, Monitor	5	815-0544	6	Screw, Round Head w/IT (#6-32 x 1/2)
	307-2801-01	1	240 VAC	6	332-0801	3	Terminal, Ring (#6)
	307-2801-02	1	380 VAC	7	332-2630	7	Terminal, Spade (#6)
	307-2801-03	1	480 VAC				
3	332-2420	5	Mount, Tie - Cable				

Sequencer



REF NO.	PART NO.	QTY USED	PART DESCRIPTION	REF NO.	PART NO.	QTY USED	PART DESCRIPTION
1	300-3893-01	1	Board, PC - Sequencer	4	870-0131	4	Nut, Hex w/ET (#10-32)
	300-3893-02	1	12 Volt	5	815-0550	4	Screw, Pan Head - Cross Recessed w/ET (#6-32 x 3/8)
			24 Volt				
2	319-1208	1	Plate, Mounting - Sequencer	6	332-0942	20	Tie, Cable
3	332-2420	10	Mount, Tie - Cable				

Pins and Sockets



REF NO.	PART NO.	QTY USED	PART DESCRIPTION	REF NO.	PART NO.	QTY USED	PART DESCRIPTION
1	323-1292	1	Housing, Pin - 4				
2	323-1333	1	Housing, Socket - 4				
3	323-1317	1	Housing, Pin - 6				
4	323-1318	1	Housing, Socket - 6				
5	323-1291	1	Housing, Pin - 9				
6	323-1325	1	Housing, Socket - 9				
7	323-1314	1	Housing, Pin - 12				
8	323-1315	1	Housing, Socket - 12				
9	323-0983	1	Housing, Pin - 12				
10	323-0984	1	Housing, Socket - 12				
11	323-1252	1	Housing, Pin - 15				
12	323-1253	1	Housing, Socket - 15				
13	323-1207	1	Housing, Pin - 24				
14	323-1206	1	Housing, Socket - 24				
15	323-1194	1	Pin, Contact (Used with Circular				
				16	323-1195	1	Housings) (18-14 AWG) Socket, Contact (Used with Circular Housings)
				17	323-1199	1	(18-14 AWG) Pin, Contact (Used with Rectangular Housings)
				18	323-1200	1	(20-14 AWG) Socket, Contact (Used with Rectangular Housings)
							(20-14 AWG) Strain Relief (Not Shown)
					323-1158	1	15 Pin
					323-1316	1	12 Pin
					323-1208	1	9 Pin

Numerical Index

098-5387, 7, 21	098-6117, 13, 15	301-9753, 25, 27, 29
098-5589, 21, 25, 27	098-6118, 21	301-9768, 38
098-5661, 23	098-6200, 21	301-9774, 25, 27
098-5681, 25, 27, 29	098-6201, 7	301-9927, 39
098-5689, 39	098-6221, 21	301-9931, 41
098-5691, 41	098-6635, 21	301-9990, 33
098-5692, 21	098-6696, 29	301-9992, 33
098-5693, 13, 15, 21	226-3568-01, 38	302-0807, 33
098-5696, 11, 13, 15	226-3568-02, 38	302-1175, 11, 15
098-5697, 11, 13, 15	226-3568-03, 38	302-1710, 11, 15
098-5700, 39	226-3568-04, 38	302-1711, 15
098-5710, 29, 41, 44	226-3569-01, 31	302-1720, 11, 15
098-5766, 23	226-3569-02, 31	302-1734, 11
098-5777-01, 21	300-2946, 33	302-1735, 15
098-5807, 35	300-3092, 23	302-1736, 15
098-5808, 35	300-3093-01, 23	302-1820-15, 15
098-5809, 35	300-3093-02, 23	302-1820-16, 15
098-5811, 7	300-3094, 23	302-1844, 35, 37
098-5859, 13, 15	300-3096, 41	302-1891, 15
098-5861, 13, 15	300-3115-01, 39	302-1976-01, 13
098-5862, 13, 15	300-3115-02, 39	302-1992, 11, 15
098-5865, 13, 15	300-3121, 23	304-0015, 33
098-5866, 13, 15	300-3160, 35	304-0037, 33
098-5914, 37	300-3244, 37	304-0139, 33
098-5915, 37	300-3261, 23	305-0653, 35, 37
098-5916, 37	300-3267, 23	305-0781, 35, 37
098-5922, 13, 15	300-3893-01, 46	306-3464, 11, 15
098-5923, 13, 15	300-3893-02, 46	306-3467, 13
098-5995, 35	300-3953-01, 23	306-3525, 13
098-5996, 35	300-3953-02, 23	306-3526-04, 13
098-5997, 37	300-3998-01, 40	306-3617-01, 3
098-5998, 37	300-3998-02, 40	306-3617-02, 3
098-6031, 21	301-4984, 15	306-3617-03, 3
098-6032, 21	301-6727, 11	306-3617-04, 3
098-6033, 21	301-9750-04, 19	306-3617-11, 3
098-6039, 35	301-9750-08, 19	306-3617-12, 3
098-6060, 25	301-9751-14, 19	306-3617-13, 3
098-6094, 27		
098-6107, 21		



Numerical Index

306-3617-14, 3	306-3620-02, 3	306-3624, 8, 9
306-3617-21, 3	306-3620-03, 3	306-3624-01, 7
306-3617-21, 5	306-3620-04, 3	306-3980, 23
306-3617-22, 3, 5	306-3620-11, 3	306-4121-01, 7
306-3617-23, 3, 5	306-3620-12, 3	306-4122-01, 7
306-3617-24, 5	306-3620-13, 3	306-4122-02, 7
306-3617-31, 3, 5	306-3620-14, 3	306-4122-03, 7
306-3617-32, 3, 5	306-3620-21, 3, 5	306-4122-04, 7
306-3617-33, 3, 5	306-3620-22, 3, 5	306-4122-05, 7
306-3617-34, 5	306-3620-23, 3, 5	306-4122-06, 7
306-3618-01, 3	306-3620-31, 3, 5	306-4124-01, 8
306-3618-02, 3	306-3620-32, 3, 5	306-4124-02, 8
306-3618-03, 3	306-3620-33, 3, 5	306-4124-03, 8
306-3618-04, 3	306-3622-01, 7	306-4124-04, 8
306-3618-11, 3	306-3622-02, 7	306-4127-01, 9
306-3618-12, 3	306-3622-03, 7	306-4127-02, 9
306-3618-13, 3	306-3622-04, 7	306-4127-03, 9
306-3618-14, 3	306-3622-07, 7	306-4129-01, 7
306-3618-21, 3, 5	306-3622-08, 7	
306-3618-22, 3, 5	306-3622-09, 7	307-2575, 39
306-3618-23, 3, 5	306-3622-10, 7	307-2577, 38
306-3618-31, 3, 5	306-3622-12, 7	307-2578, 30
306-3618-32, 3, 5	306-3623-01, 7	307-2582, 30
306-3618-33, 3, 5	306-3623-02, 7	307-2583, 30
306-3619-01, 3	306-3623-03, 7	307-2591, 39
306-3619-02, 3	306-3623-04, 7	307-2648, 27, 29
306-3619-03, 3	306-3623-05, 7	307-2689, 27
306-3619-04, 3	306-3623-06, 7	307-2694, 25, 27, 29
306-3619-11, 3	306-3623-07, 7	307-2697, 27, 29
306-3619-12, 3	306-3623-08, 7	307-2801-01, 45
306-3619-13, 3	306-3623-09, 7	307-2801-02, 45
306-3619-14, 3	306-3623-10, 7	307-2801-03, 45
306-3619-21, 3, 5	306-3623-11, 7	
306-3619-22, 3, 5	306-3623-12, 7	308-0406, 25, 27, 29
306-3619-23, 3, 5	306-3623-14, 7	308-0848, 11, 17
306-3619-31, 3, 5	306-3623-15, 7	308-0849, 11, 17
306-3619-32, 3, 5	306-3623-16, 7	308-0850, 11, 17, 31
306-3619-33, 3, 5	306-3623-17, 7	308-0851, 11, 17
306-3620-01, 3	306-3623-18, 7	308-0854, 11, 17
		308-0886, 11, 17



Numerical Index

308-0889, 11, 17, 31	319-0073, 35, 37	321-0237, 35, 37
308-0895-01, 11, 17	319-0145, 13	321-0303-01, 37
308-0895-02, 11, 17	319-0146, 13	321-0304-01, 35
308-0903, 11, 17	319-0535, 19	321-0304-02, 35, 37
308-0904, 13, 15	319-0536, 19	321-0304-03, 35, 37
308-0957, 11, 17	319-0540-01, 19	321-0304-04, 35, 37
308-0988, 11, 17, 31	319-0541, 19	321-0304-05, 35, 37
308-0989, 11, 17, 31	319-0542-02, 19	321-0304-06, 37
308-0990, 11, 17, 31	319-0600, 7	322-0137, 11, 15
308-0991, 11, 17	319-0601, 7	322-0168, 11, 15
308-0994, 11, 17	319-0615-01, 11	322-0170, 11, 15
315-0377, 11, 19	319-0615-02, 11	322-0387-02, 11, 15
315-0621-01, 33	319-0615-03, 11	323-0983, 47
315-0621-02, 33	319-0615-04, 11	323-0984, 47
315-0621-03, 33	319-0616-01, 11	323-1158, 47
315-0621-04, 33	319-0616-02, 11	323-1194, 47
315-0655-02, 25, 27	319-0625, 11	323-1195, 47
315-0655-03, 25, 27	319-0627, 11	323-1199, 47
315-0655-04, 27	319-0628, 25, 27	323-1200, 47
315-0700, 35	319-0683, 15	323-1206, 47
315-0701, 37	319-0684, 15	323-1207, 47
315-0702, 35	319-0685, 19	323-1208, 47
315-0703, 37	319-0687, 15	323-1252, 47
315-0704, 35	319-0689, 13, 15	323-1253, 47
315-0705, 37	319-0690, 13, 15	323-1291, 47
315-0706, 35	319-0696, 19	323-1292, 47
315-0707, 37	319-0702, 25, 27	323-1314, 47
315-0708, 35	319-0706, 15	323-1315, 47
315-0709, 37	319-0755, 25	323-1316, 47
315-0710, 35	319-0976-00, 45	323-1317, 47
315-0711, 37	319-1208, 46	323-1318, 47
315-0712, 35	319-1759, 19	323-1325, 47
315-0713, 37	319-2050-01, 29	323-1333, 47
315-0714, 35	321-0104, 35, 37	323-1387, 23
315-0715, 37	321-0127, 35, 37	332-0051, 13
315-1998, 11, 19	321-0153, 33	332-0722, 13
319-0072, 35, 37	321-0175, 33	332-0801, 45
	321-0236, 35	332-0802, 30



Numerical Index

332-0941, **45**
332-0942, **7, 11, 19, 31, 33, 35, 37, 38, 39, 40, 41, 46**
332-1348, **13**
332-1389, **13, 19**
332-1409, **41**
332-1557, **42, 43**
332-1877, **23**
332-2016, **13, 15**
332-2230, **30, 39, 40**
332-2341, **19**
332-2420, **33, 35, 37, 45, 46**
332-2427, **43**
332-2512, **7**
332-2630, **45**
332-2660, **7**
332-2777, **33, 35, 37**
332-2834, **7**
332-2836-02, **29, 41**
332-2837-07, **29**
332-2837-09, **41, 44**
332-2839, **29, 41, 44**
332-2841, **29, 41, 44**
332-2842, **44**
332-2842-12, **41**
332-2842-13, **41**
332-2842-16, **29**
332-2876-01, **44**
332-2877, **11, 19**
332-2878, **30**
332-2879-02, **30**
332-2933, **25, 27**
332-2995, **42**
332-2998, **43**
337-2354, **7**
337-2440, **15**
337-2441, **43**

338-2065, **13, 19**
338-2133, **13, 19**
338-2134, **13, 19**
338-2136, **13, 19**
338-2140, **41**
338-2149, **33**
338-2161, **33, 35, 37**
338-2223, **35, 37**
338-2439, **25**
338-2459, **13**
338-2475, **39**
338-2497, **27**
338-2908, **39**
338-2913, **29**
332-3041-01, **8**
338-3041-02, **9**
370-4061, **13, 15**

406-0089, **15**
406-0519, **11**
406-0613, **13, 15**
406-0649, **13, 15**
406-0686, **15**

425-1798, **15**

508-0231, **13**
508-0233, **11**
508-1045, **19**

517-0131, **19**
517-0132, **19**
517-0137, **13**
517-0256, **15, 23**
517-0266, **11**

518-0404, **13**

525-0208, **19**
525-0305, **13**
525-0440, **27**

525-0551-02, **13**

526-0003, **30**
526-0022, **11**
526-0029, **15**
526-0030, **42, 43**
526-0048, **25, 27, 29**
526-0115, **15, 19**
526-0219, **43**

539-1344, **40**

800-0006, **40**
800-0028, **15, 19**
800-0034, **15**
800-0049, **7**
800-0051, **15**
800-0053, **13**
800-0056, **42, 43**
800-0058, **42**
800-0091, **19**
800-0093, **43**
800-0098, **43**

810-0085, **25, 27, 29**

812-0061, **38**
812-0177, **11**

813-0112, **33**
813-0116, **33**

815-0122, **39**
815-0261, **15**
815-0285, **7**
815-0290, **19**
815-0446, **29**
815-0447, **29**
815-0538, **25, 27**
815-0539, **25, 27**
815-0544, **11, 23, 25, 27, 45**
815-0549, **33**

Numerical Index

815-0550, **33, 35, 37, 39, 46**

815-0592, **13, 15**

815-0667, **19**

815-0680, **39, 41**

821-0020, **13**

821-0023, **13**

821-0040, **33, 35, 37**

822-0084, **7**

822-0091, **7**

822-2048, **35, 37**

822-2049, **35, 37**

850-0039, **7**

850-0040, **40**

850-0045, **15, 19**

850-0050, **15, 42, 43**

850-0060, **19, 43**

851-0022, **7, 13, 42, 43**

851-0023, **43**

851-0028, **15**

853-0005, **13, 15, 30**

853-1003, **38**

856-0002, **25, 27, 29**

860-0008, **25, 27, 29, 30**

862-0001, **40**

862-0003, **15, 42, 43**

862-0015, **15, 19**

862-0016, **43**

870-0131, **15, 33, 35, 37, 38, 46**

870-0212, **11, 15**

870-0221, **25, 27, 29, 35, 37, 41, 44**

870-0257, **13**

870-0386, **13**

870-0439, **11, 15**

876-0431-05, **19**

895-0293-10, **11**

895-0293-11, **11**

898-0798, **13**



Cummins Power Generation

1400 73rd Ave. NE
Minneapolis, MN 55432 USA

Phone 1 763 574 5000

Toll-free 1 800 888 6626

Fax 1 763 574 5298

Email ask.powergen@cummins.com

www.cumminspower.com

Cummins®, the “C” logo, and “Our energy working for you.”
are trademarks of Cummins Inc.

©2012 Cummins Power Generation, Inc. All rights reserved.

