



Parts Manual

Transfer Switch

300/400/600 Amps

OTPCC (Spec A)

MODEL IDENTIFICATION

This catalog covers models produced under the Cummins®/Onan® and Cummins Power Generation brand names.

To avoid errors or delay in filling your parts order, always give the MODEL, SPEC NO. and SERIAL NO. from the Cummins Power Generation nameplate.

For handy reference, insert your nameplate information in the spaces below.

MODEL AND SPEC NO.

SERIAL NO.

DIGITAL CONTROL SOFTWARE VERSION AND DATE (IF APPLICABLE)

SAFETY PRECAUTIONS

The following symbols are used in Cummins Power Generation manuals to alert users to the potentially dangerous conditions relating to maintenance of equipment and replacement of parts. Please read and observe.



This symbol warns of immediate hazards which will result in severe personal injury or death.



This symbol refers to a hazard or unsafe practice which can result in severe personal injury or death.



This symbol refers to a hazard or unsafe practice which can result in severe personal injury or product or property damage.

PRODUCT SAFETY PRECAUTIONS



Service and repair of Cummins Power Generation equipment must be performed by trained, experienced personnel only. Improper service or repair may result in property damage, severe personal injury or death. Do not use this catalog as a guide to servicing your equipment. Read and follow the IMPORTANT SAFETY INSTRUCTIONS in the Service Manual appropriate for the equipment you are working on.



Contact with USED ENGINE OILS has been identified by a United States federal agency and some USA state agencies as causing CANCER or REPRODUCTIVE TOXICITY. When checking or changing engine oils take all necessary precautions not to ingest, breathe the fumes or contact the used oil.



Contact with ASBESTOS has been identified by a United States federal agency and some USA state agencies as causing CANCER or REPRODUCTIVE TOXICITY. When handling engine gaskets take all necessary precautions not to ingest, breathe or contact the dust from the gaskets! Use adequate ventilation and wear protective gloves, masks and clothing!



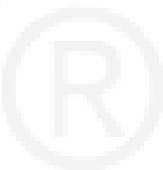
Contact with BENZINE and LEAD, found in gasoline, fuel additives and solvents has been identified by a United States federal agency and some USA state agencies as causing CANCER or REPRODUCTIVE TOXICITY. When checking, draining or adding gasoline and fuel additives or using solvents take all necessary precautions not to ingest, breathe the fumes or contact the liquids. Use adequate ventilation and wear protective gloves, masks and protective clothing!

Introduction

This catalog applies to the OTPC 300/400/600 Amp Transfer Switch. Each illustrated part is identified by a reference number corresponding to the same reference number in the parts list for that group. Parts illustrations are typical. Using the model and spec number from the switch box nameplate, select the parts that apply to your Transfer Switch. Unless otherwise noted in the parts description, parts are interchangeable between models.

Feature Options

Code	Description	Code	Description
A028	3-Pole Switch	L202	Auxiliary Relay – Emergency Position – 12 VDC
A029	4-Pole Switch	L203	Auxiliary Relay – Normal Position – 12 VDC
A035	Utility to Generator Set Applications	L204	Auxiliary Relay – Generator Start – 12 VDC
A036	Utility to Utility Applications	M003	Terminal Block – 30 Points
A037	Generator Set to Generator Set Applications	M007	Load Shed – From Emergency
A041	One Phase – 2 or 3 wire	M017	Security – Front Panel
A042	Three Phase – 3 or 4 wire	M018	Display – Digital
A044	Frequency – 60 Hz	M020	Communications – Lonworks
A045	Frequency – 50 Hz	M022	Monitoring – Load
A046	Listing – UL	M023	Module – Relay Signal
A064	Listing – UL/NFPA-20	N002	Terminal Block – Battery Charger Alarms
B001	Cabinet – Type 1	N009	Bus Stubs Connection
B002	Cabinet – Type 3R	N013	Harness – Extension
B003	Cabinet – Type 4	R020	Voltage – 120
B004	Construction – Open	R021	Voltage – 208
B010	Cabinet – Type 12	R022	Voltage – 220
C023	Control – Level 1	R023	Voltage – 240
C024	Control – Level 2	R024	Voltage – 380
D009	Meters – Bar Graph Display	R025	Voltage – 416
K001	Battery Charger – 2 Amp, 12/24V	R026	Voltage – 480
K002	Battery Charger – 10 Amp, 12V	R027	Voltage – 600
K003	Battery Charger – 10 Amp, 24V	R035	Voltage – 440
L101	Auxiliary Relay – 24 VDC Coil	R038	Voltage – 190
L102	Auxiliary Relay – Emergency Position – 24 VDC	S052	Current Rating – 300 Amps
L103	Auxiliary Relay – Normal Position – 24 VDC	S053	Current Rating – 400 Amps
L104	Auxiliary Relay – Generator Start – 24 VDC	S054	Current Rating – 600 Amps
L201	Auxiliary Relay – 12 VDC Coil		



Index

A

Actuator, Linear – Transfer Switch, **11**
Alarm, Battery Charger, **26**
Ammeter – DC – 10 Amp, 12 Volt Battery Charger, **29**
Ammeter – DC – 10 Amp, 24 Volt Battery Charger, **31**
Ammeter – DC – 2 Amp, 12/24 Volt Battery Charger, **27**
Arm, Interlock – Transfer Switch, **11**

B

Bar, Interlock – Transfer Switch, **11**
Bar, Neutral, **32**
Barrier – Transfer Switch, **11**
Barrier, Base – Transfer Switch, **11**
Barrier, Lug – Transfer Switch, **11**
Base, Mounting – Transfer Switch, **11**
Block and Contact Assembly – Transfer Switch, **13**
Block and Cross Bar Assembly – Transfer Switch, **11**
Block, Hinge – Type 1 Cabinet, **17**
Block, Terminal, **35**
Block, Terminal – Battery Charger Alarm, **26**
Block, Terminal – Network Module, **33**
Block, Terminal – Transfer Switch, **11**
Board, Printed Circuit – 10 Amp, 12 Volt Battery Charger, **29**
Board, Printed Circuit – 10 Amp, 24 Volt Battery Charger, **31**
Board, Printed Circuit – 2 Amp, 12/24 Volt Battery Charger, **27**
Board, Printed Circuit – Bar Graph – Type 1 Cabinet, **17**
Board, Printed Circuit – Bar Graph – Type 3R and 12 Cabinet, **19**
Board, Printed Circuit – Bar Graph – Type 4 Cabinet, **21**
Board, Printed Circuit – Current Transformer Module, **34**
Board, Printed Circuit – Digital – Type 1 Cabinet, **17**
Board, Printed Circuit – Digital – Type 3R and 12 Cabinet, **19**
Board, Printed Circuit – Digital – Type 4 Cabinet, **21**
Board, Printed Circuit – Network Module, **33**

Board, Printed Circuit – Power Module – Type 1 Cabinet, **17**
Board, Printed Circuit – Power Module – Type 3R and 12 Cabinet, **19**
Board, Printed Circuit – Power Module – Type 4 Cabinet, **21**
Board, Printed Circuit – Relay Module, **37**
Bracket, Connector – Accessory Control Plate (600 Volt), **23**
Bracket, Connector – Accessory Control Plate (Less than 600 Volt), **22**
Bracket, Door – Type 4 Cabinet, **21**
Bracket, End – Auxiliary Relay, **36**
Bracket, End – Terminal – Battery Charger Alarm, **26**
Bracket, End – Terminal – Network Module, **33**
Bracket, Support – Transfer Switch, **13**
Bracket, Terminal – Transfer Switch, **11**
Breaker, Circuit – Transfer Switch, **11**

C

Cabinet – Type 1, **17**
Cabinet – Type 12, **19**
Cabinet – Type 3R, **19**
Cabinet – Type 4, **21**
Capacitor – Transfer Switch, **11**
Charger, Battery – 10 Amp, 12 Volt, **29**
Charger, Battery – 10 Amp, 24 Volt, **31**
Charger, Battery – 2 Amp, 12/24 Volt, **27**
Chute, Arc – Transfer Switch, **13**
Cover, Charger – 10 Amp, 12 Volt Battery Charger, **29**
Cover, Charger – 10 Amp, 24 Volt Battery Charger, **31**
Cover, Charger – 2 Amp, 12/24 Volt Battery Charger, **27**
Cover, Labeled – Transfer Switch, **11**
Cover, Lug – Transfer Switch, **13**
Cover, Printed Circuit Board – Type 1 Cabinet, **17**
Cover, Printed Circuit Board – Type 3R and 12 Cabinet, **19**
Cover, Printed Circuit Board – Type 4 Cabinet, **21**
Cover, Relay Plate – Accessory Control Plate (600 Volt), **23**
Cover, Relay Plate – Accessory Control Plate (Less than 600 Volt), **22**

Index

D

- Door, Cabinet – Type 1, **17**
- Door, Cabinet – Type 3R and 12, **19**
- Door, Cabinet – Type 4, **21**

F

- Fuse – 10 Amp, 12 Volt Battery Charger, **29**
- Fuse – 10 Amp, 24 Volt Battery Charger, **31**
- Fuse – 2 Amp, 12/24 Volt Battery Charger, **27**

H

- Handle Assembly, Actuator, **14**
- Handle, Door – Type 3R and 12 Cabinet, **19**
- Handle, Locking – Type 1 Cabinet, **17**
- Harness, Wiring – 10 Amp, 12 Volt Battery Charger, **29**
- Harness, Wiring – 10 Amp, 24 Volt Battery Charger, **31**
- Harness, Wiring – 2 Amp, 12/24 Volt Battery Charger, **27**
- Harness, Wiring – Battery Charger, **25**
- Harness, Wiring – Battery Charger Alarm, **26**
- Harness, Wiring – Control – Open Construction, **24**
- Harness, Wiring – Current Transformer Module, **34**
- Harness, Wiring – Load Shed, **37**
- Harness, Wiring – Main – Type 1 Cabinet, **17**
- Harness, Wiring – Main – Type 3R and 12 Cabinet, **19**
- Harness, Wiring – Main – Type 4 Cabinet, **21**
- Harness, Wiring – Network Module, **33**
- Holder, Fuse – 10 Amp, 12 Volt Battery Charger, **29**
- Holder, Fuse – 10 Amp, 24 Volt Battery Charger, **31**
- Holder, Fuse – 2 Amp, 12/24 Volt Battery Charger, **27**

L

- Latch, Cam – Type 1 Cabinet, **17**
- Latch, Cam – Type 3R and 12 Cabinet, **19**
- Lead – Type 1 Cabinet, **17**
- Lead – Type 3R and 12 Cabinet, **19**
- Lead – Type 4 Cabinet, **21**
- Load Shed, **37**

- Lug, Solderless – Transfer Switch, **13**
- Lug, Solderless – Type 1 Cabinet, **17**
- Lug, Solderless – Type 3R and 12 Cabinet, **19**
- Lug, Solderless – Type 4 Cabinet, **21**

M

- Membrane, Panel – Type 1 Cabinet, **17**
- Membrane, Panel – Type 3R and 12 Cabinet, **19**
- Membrane, Panel – Type 4 Cabinet, **21**
- Module, Current Transformer, **34**
- Module, Digital Display – Type 1 Cabinet, **17**
- Module, Digital Display – Type 3R and 12 Cabinet, **19**
- Module, Digital Display – Type 4 Cabinet, **21**
- Module, Network, **33**

P

- Plate, Accessory Control (600 Volt), **23**
- Plate, Accessory Control (Less than 600 Volt), **22**
- Plate, End – Terminal – Battery Charger Alarm, **26**
- Plate, End – Terminal – Network Module, **33**
- Plate, Mounting – Battery Charger Alarm, **26**
- Plate, Mounting – Current Transformer Module, **34**
- Plate, Mounting – Load Shed, **37**
- Plate, Open Construction, **24**
- Plate, Relay – Accessory Control Plate (600 Volt), **23**
- Plate, Relay – Accessory Control Plate (Less than 600 Volt), **22**

R

- Rail, Terminal – Auxiliary Relay, **36**
- Rail, Terminal Block – Battery Charger Alarm, **26**
- Rail, Terminal Block – Network Module, **33**
- Rectifier, Bridge – 10 Amp, 12 Volt Battery Charger, **29**
- Rectifier, Bridge – 10 Amp, 24 Volt Battery Charger, **31**
- Rectifier, Gate – 10 Amp, 12 Volt Battery Charger, **29**
- Rectifier, Gate – 10 Amp, 24 Volt Battery Charger, **31**
- Relay – Accessory Control Plate (600 Volt), **23**
- Relay – Accessory Control Plate (Less than 600 Volt), **22**
- Relay – Load Shed, **37**

Index

Relay, Auxiliary, **36**
Relay, Control – Accessory Control Plate (600 Volt), **23**
Relay, Control – Auxiliary Relay, **36**
Resistor, Fixed – 2 Amp, 12/24 Volt Battery Charger, **27**

Rod, Actuator – Transfer Switch, **11**
Rod, Roller – Type 1 Cabinet, **17**
Rod, Roller – Type 3R and 12 Cabinet, **19**
Rod-End, Actuator – Transfer Switch, **11**

S

Spring, Conical – Type 4 Cabinet, **21**
Standoff, Insulator – Transfer Switch, **11**
Strap, Jumper – Transfer Switch, **11**
Strap, Load – Transfer Switch, **13**
Strap, Normal and Emergency – Transfer Switch, **13**
Strip, Marker – Transfer Switch, **11**
Switch Assembly, Auxiliary, **15**
Switch, Selector – Security, **38**
Switch, Toggle – Accessory Control Plate (600 Volt), **23**

Switch, Toggle – Accessory Control Plate (Less than 600 Volt), **22**

T

Transfer Switch Assembly, **9**
Transformer – 10 Amp, 12 Volt Battery Charger, **29**
Transformer – 10 Amp, 24 Volt Battery Charger, **31**
Transformer – 2 Amp, 12/24 Volt Battery Charger, **27**
Transformer, Current, **34**
Transformer, Power – Type 1 Cabinet, **17**
Transformer, Power – Type 3R and 12 Cabinet, **19**
Transformer, Power – Type 4 Cabinet, **21**

W

Wrapper, Charger – 2 Amp, 12/24 Volt Battery Charger, **27**
Wrapper, Charger – 10 Amp, 12 Volt Battery Charger, **29**
Wrapper, Charger – 10 Amp, 24 Volt Battery Charger, **31**



Abbreviations

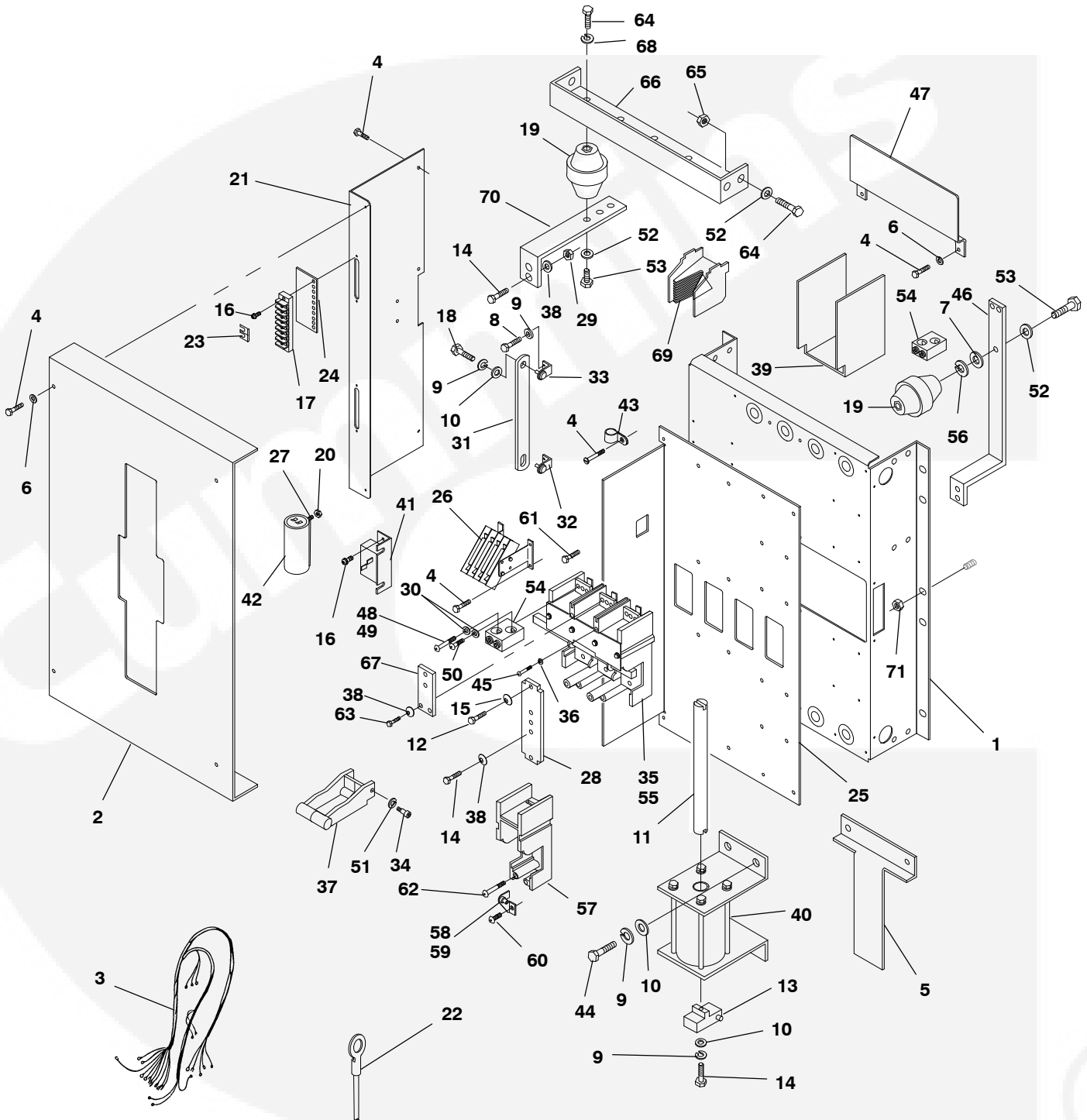
Some of the following abbreviations may be used throughout this Parts Catalog:

AC	Alternating Current	MCM	Metric Circular Mills
Amp	Ampere	mm	Millimeter
A/R	As Required	MOH	Mobile Off Highway
AVR	Automatic Voltage Regulator	NFS	Not For Sale
AWG	American Wire Gauge	NPT	National Pipe Thread
CSA	Canadian Standard Association	OD	Outside Diameter
DC	Direct Current	oz.	Ounce
Deg.	Degree	PCB	Printed Circuit Board
EFC	Electronic Fuel Control	Ph	Phase
EIT	External/Internal Tooth	PMG	Permanent Magnet Generator
EPROM	Erasable Programmable Read Only Memory	PT/CT	Potential Transformer/ Current Transformer
ET	External Tooth	RFI	Radio Frequency Interference
GFI	Ground Fault Interrupter	RT	Right
ID	Inside Diameter	Spec	Specification
IEC	International Electrotechnical Commission	Thk	Thick
IT	Internal Tooth	UL	Underwriters Laboratories Inc.
kW	Kilowatt	UNC	Union National Coarse
LPG	Liquid Petroleum Gas	UNF	Union National Fine
LT	Left	VAC	Volts Alternating Current
M(meter number)	Meter	VDC	Volts Direct Current
		W/(ET, IT, EIT)	With





Transfer Switch



Transfer Switch

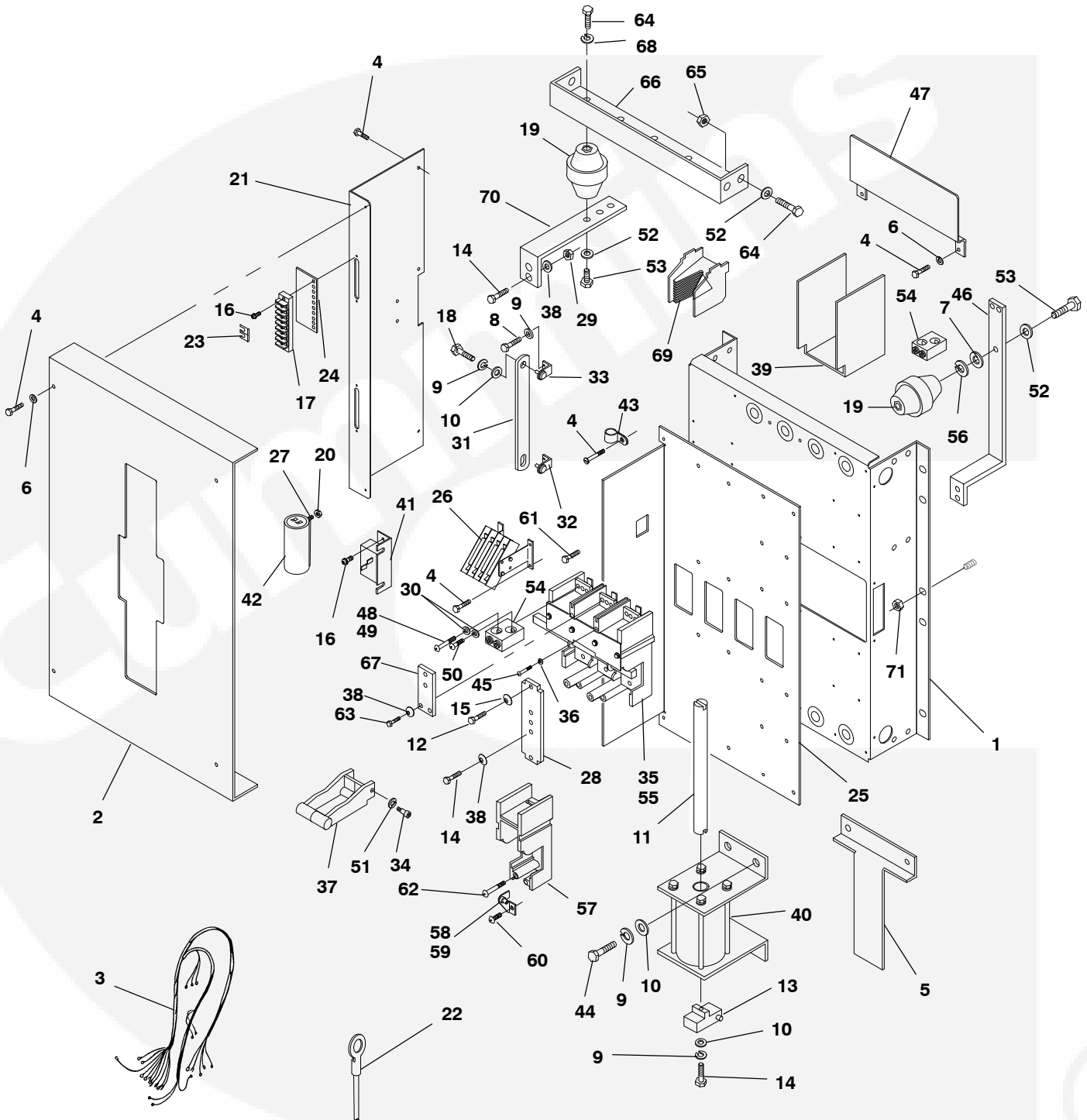
REF NO.	PART NO.	QTY USED	PART DESCRIPTION	REF NO.	PART NO.	QTY USED	PART DESCRIPTION
			Transfer Switch Assembly				3-Pole, Rear Connect with
			3-Pole, Front Connect with				Bus Stubs
			Mechanical Lugs				300 Amp
			300 Amp	306-4410-01		1	120 VAC
306-4408-01		1	120 VAC	306-4410-02		1	190 VAC
306-4408-02		1	190 VAC	306-4410-03		1	208/600* VAC
306-4408-03		1	208/600* VAC	306-4410-04		1	220/240 VAC
306-4408-04		1	220/240 VAC	306-4410-05		1	380/416 VAC
306-4408-05		1	380/416 VAC	306-4410-06		1	440/480 VAC
306-4408-06		1	440/480 VAC				400 Amp
			400 Amp	306-4410-07		1	120 VAC
306-4408-07		1	120 VAC	306-4410-08		1	190 VAC
306-4408-08		1	190 VAC	306-4410-09		1	208/600* VAC
306-4408-09		1	208/600* VAC	306-4410-10		1	220/240 VAC
306-4408-10		1	220/240 VAC	306-4410-11		1	380/416 VAC
306-4408-11		1	380/416 VAC	306-4410-12		1	440/480 VAC
306-4408-12		1	440/480 VAC				600 Amp
			600 Amp	306-4410-13		1	120 VAC
306-4408-13		1	120 VAC	306-4410-14		1	190 VAC
306-4408-14		1	190 VAC	306-4410-15		1	208/600* VAC
306-4408-15		1	208/600* VAC	306-4410-16		1	220/240 VAC
306-4408-16		1	220/240 VAC	306-4410-17		1	380/416 VAC
306-4408-17		1	380/416 VAC	306-4410-18		1	440/480 VAC
306-4408-18		1	440/480 VAC				4-Pole, Rear Connect with
			4-Pole, Front Connect with				Bus Stubs
			Mechanical Lugs				300 Amp
			300 Amp	306-4411-02		1	190 VAC
306-4409-02		1	190 VAC	306-4411-03		1	208/600* VAC
306-4409-03		1	208/600* VAC	306-4411-04		1	220/240 VAC
306-4409-04		1	220/240 VAC	306-4411-05		1	380/416 VAC
306-4409-05		1	380/416 VAC	306-4411-06		1	440/480 VAC
306-4409-06		1	440/480 VAC				400 Amp
			400 Amp	306-4411-08		1	190 VAC
306-4409-08		1	190 VAC	306-4411-09		1	208/600* VAC
306-4409-09		1	208/600* VAC	306-4411-10		1	220/240 VAC
306-4409-10		1	220/240 VAC	306-4411-11		1	380/416 VAC
306-4409-11		1	380/416 VAC	306-4411-12		1	440/480 VAC
306-4409-12		1	440/480 VAC				600 Amp
			600 Amp	306-4411-14		1	190 VAC
306-4409-14		1	190 VAC	306-4411-15		1	208/600* VAC
306-4409-15		1	208/600* VAC	306-4411-16		1	220/240 VAC
306-4409-16		1	220/240 VAC	306-4411-17		1	380/416 VAC
306-4409-17		1	380/416 VAC	306-4411-18		1	440/480 VAC
306-4409-18		1	440/480 VAC				

* Switch is actually 208 volts – A large transformer in the system reduces the 600 volt system voltage down to 208 volts.

Continued...



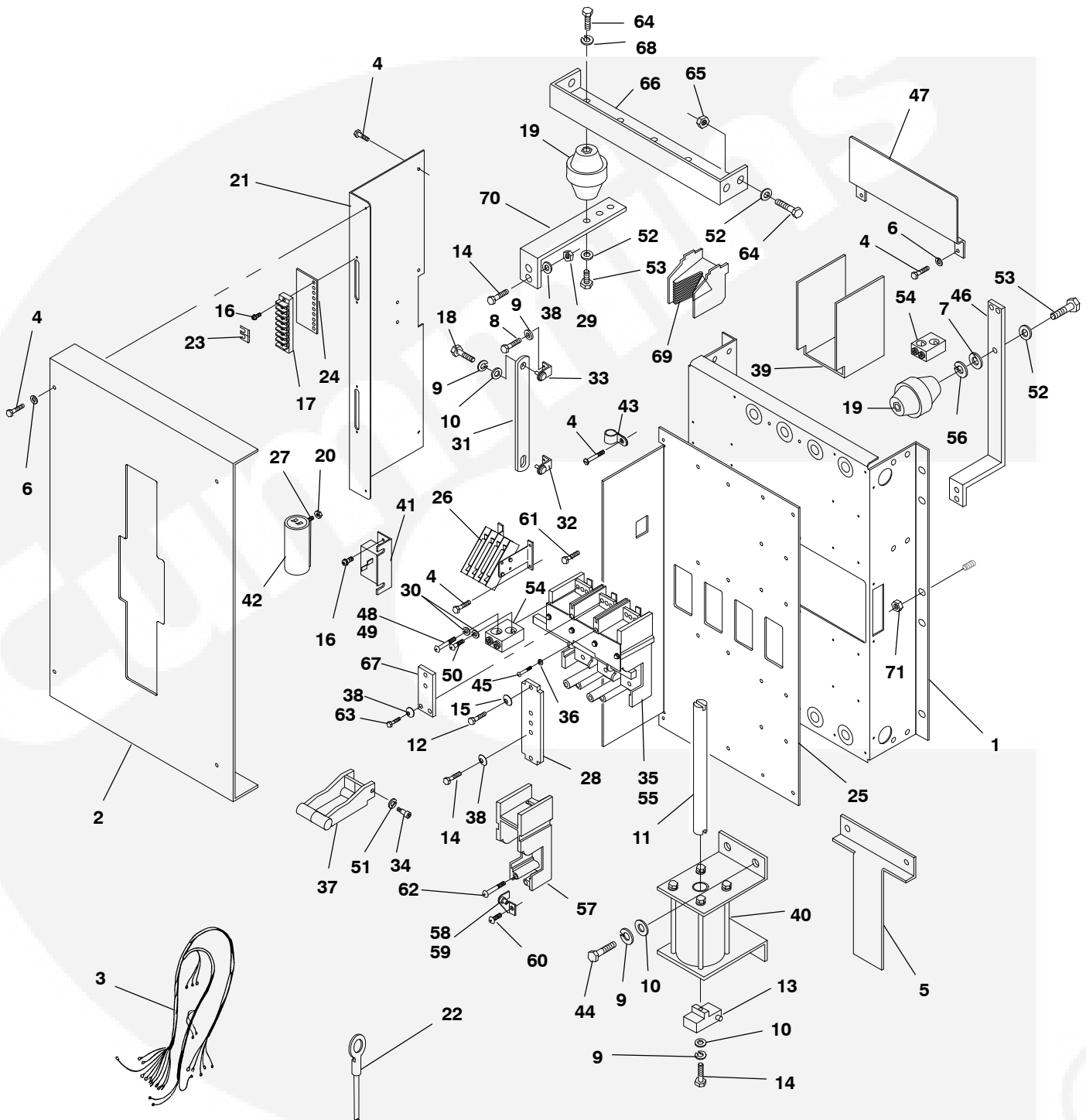
Transfer Switch



Transfer Switch

REF NO.	PART NO.	QTY USED	PART DESCRIPTION	REF NO.	PART NO.	QTY USED	PART DESCRIPTION
Continued...				27	815-0029	4	Screw, Flat Head - Cross Recessed (#10-32 x .50)
1	306-3415	1	Base, Mounting	28			Strap, Jumper
2	306-4270	1	Cover, Labeled		337-1941	3	3-Pole
3	338-3792	1	Harness, Wiring		337-1941	4	4-Pole
4			Screw, Hex Head - Slotted - W/IT (#10-32 x .50)	29			Nut, Hex (1/4-20)
	815-0652	23	3-Pole, Front Connect		862-0001	6	3-Pole
	815-0652	25	4-Pole, Front Connect		862-0001	8	4-Pole
	815-0652	19	Rear Connect	30			Washer, Lock (1/4)
5	306-2340	2	Barrier		850-0039	18	3-Pole, Front Connect
6			Washer, Flat (#10)		850-0039	24	4-Pole, Front Connect
	526-0008	8	3-Pole, Front Connect	31	306-3107	1	Bar, Interlock
	526-0008	10	4-Pole, Front Connect	32	306-0510	1	Arm, Interlock
	526-0008	4	Rear Connect	33	306-0509	1	Arm, Interlock
7			Washer, Lock - W/ET (3/8)	34	815-0485	4	Screw, Shoulder (#10-32)
	853-0018	3	3-Pole, Front Connect	35			Block and Cross Bar Assembly - Emergency
	853-0018	4	4-Pole, Front Connect		306-3414-02	1	3-Pole
8	800-0002	2	Screw, Cap - Hex Head (1/4-20 x .38)		306-3414-04	1	4-Pole
9	850-0040	10	Washer, Lock (1/4)	36	526-2081	8	Washer, Flat
10	526-0018	8	Washer, Flat (1/4)	37	306-1372	2	Handle, Actuator (See Separate Page For Components)
11	306-3424	1	Rod, Actuator				Washer, Spring - Conical (1/4)
12			Screw, Cap - Hex Head (5/16-18 x 1.00)	38			3-Pole, Front Connect
	800-0028	6	3-Pole		851-0027	12	3-Pole, Front Connect
	800-0028	8	4-Pole		851-0027	16	4-Pole, Front Connect
13	306-3400-02	2	Rod-End, Actuator		851-0027	24	3-Pole, Rear Connect
14			Screw, Cap - Hex Head (1/4-20 x 1.25)		851-0027	32	4-Pole, Rear Connect
	800-0008	8	3-Pole	39			Barrier, Lug
	800-0008	10	4-Pole		306-3893	1	3-Pole, Front Connect
15			Washer, Spring - Conical (5/16)		306-3893	2	4-Pole, Front Connect
	851-0028	6	3-Pole	40			Actuator, Linear
	851-0028	8	4-Pole		306-3109	1	120 VAC
16	815-0651	6	Screw, Round Head - Cross Recessed (#6-32 x .75)		306-3110	1	190 VAC
17	332-2832	2	Block, Terminal		306-3111	1	208/600 VAC
18	800-0003	2	Screw, Hex Head (1/4-20 x .50)		306-3112	1	220/240 VAC
19			Standoff, Insulator		306-3114	1	380/416 VAC
	332-2512	3	3-Pole, Front Connect		306-3115	1	440/480 VAC
	332-2512	4	4-Pole, Front Connect	41			Breaker, Circuit
	332-2512	3	Rear Connect		320-0613	1	120 VAC
20	870-0131	4	Nut, Hex - W/ET (#10-32)		320-0611	1	190/208/220/240/600 VAC
21	306-3418	2	Bracket, Terminal		320-0609	1	380/416 VAC
22	226-3380	1	Lead (380/416/440/480 VAC)		320-0608	1	440/480 VAC
23	332-2605	1	Jumper, Terminal	42			Capacitor
24	332-2903	2	Strip, Marker		312-0239	1	120 VAC
25	306-3416	1	Barrier, Base		312-0218	1	190/208/600 VAC
26	306-3417	2	Switch Assembly, Auxiliary (See Separate Page For Components)		312-0206	1	220/240 VAC
					312-0204	2	380/416 VAC
					312-0236	2	440/480 VAC
				43	332-2542	1	Clamp, Cable
				Continued...			

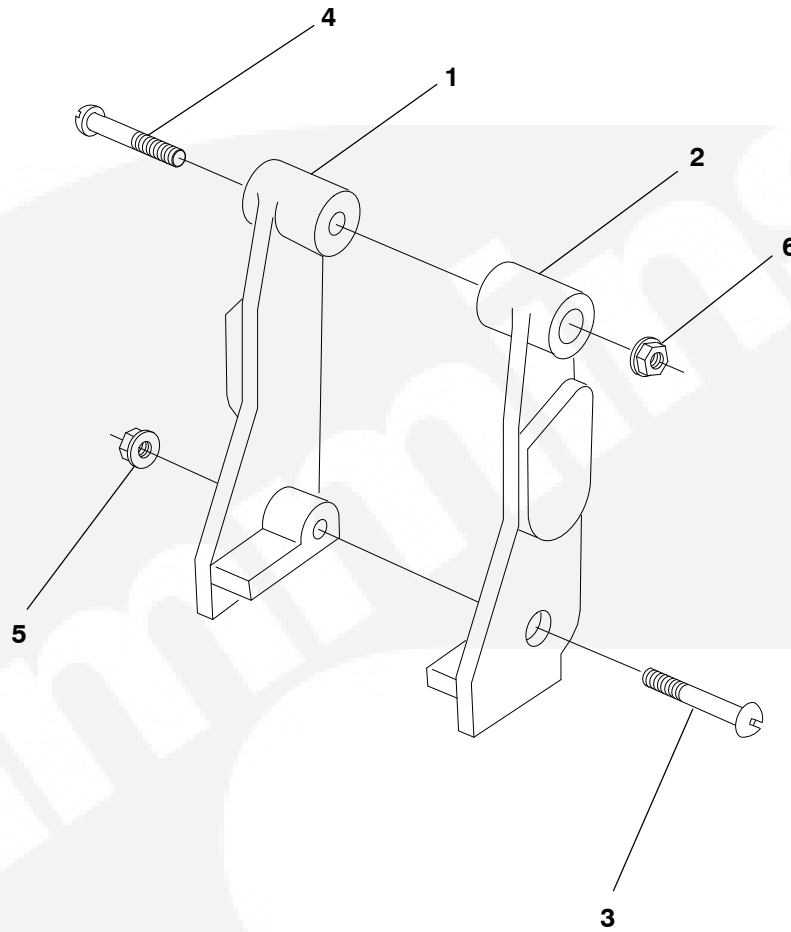
Transfer Switch



Transfer Switch

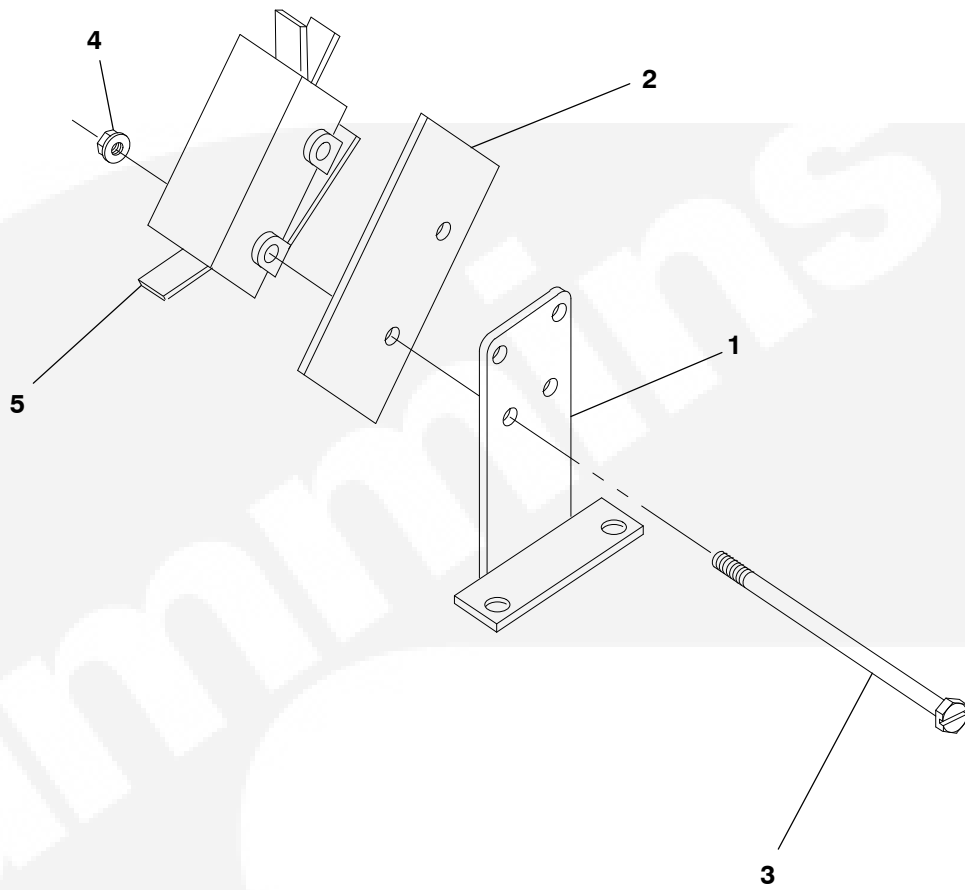
REF NO.	PART NO.	QTY USED	PART DESCRIPTION	REF NO.	PART NO.	QTY USED	PART DESCRIPTION
Continued...				55			Block and Cross Bar Assembly - Normal
44	800-0007	4	Screw, Cap - Hex Head (1/4-20 x 1.00)		306-3414-01	1	3-Pole
45	815-0656	8	Screw, Round Head - Cross Recessed (1/4-20 x 2.75)		306-3414-03	1	4-Pole
46			Strap, Load	56	526-0030	3	Washer, Lock - W/ET (3/8)
	337-1940	3	3-Pole, Front Connect		526-0030	4	3-Pole, Front Connect
	337-1940	4	4-Pole, Front Connect	57	306-3423	2	4-Pole, Front Connect
47			Cover, Lug	58	306-0384	1	Block and Contact Assembly - 4-Pole
	306-3899	1	3-Pole, Front Connect	59	306-0382	1	Support (RH) - 4-Pole
	306-3892	1	4-Pole, Front Connect	60	813-0142	2	Support (LH) - 4-Pole
48			Screw, Pan Head (1/4-20 x 1.25)				Screw, Round Head - Crossed Recessed - W/IT (#10-32 x .75) - 4-Pole
	822-0089	9	3-Pole, Front Connect - 300-400 Amp	61	815-0157	2	Screw, Set - Socket Head (#10-32 x 1/4) - 4-Pole
	822-0089	12	4-Pole, Front Connect - 300-400 Amp	62	815-0653	8	Screw, Round Head - Crossed Recessed (#10-32 x 1.75) - 4-Pole
49			Screw, Pan Head (1/4-20 x 1.50)	63			Screw, Cap - Hex Head (1/4-20 x .75)
	822-0091	9	3-Pole, Front Connect - 600 Amp		800-0005	12	3-Pole, Rear Connect
	822-0091	12	4-Pole, Front Connect - 600 Amp		800-0005	16	4-Pole, Rear Connect
50			Screw, Pan Head (1/4-20 x .62)	64	800-0048	7	Screw, Cap - Hex Head (3/8-16 x .75) - Rear Connect
	822-0085	9	3-Pole, Front Connect				Nut, Hex (3/8-16) - Rear Connect
	822-0085	12	4-Pole, Front Connect	65	862-0003	4	Bracket, Support - Rear Connect
51	850-0030	4	Washer, Lock (#10)	66	306-3505	1	Strap, Normal and Emergency
52			Washer, Conical (3/8)	67			3-Pole, Rear Connect
	851-0022	3	3-Pole, Front Connect		337-2400	6	4-Pole, Rear Connect
	851-0022	4	4-Pole, Front Connect		337-2400	8	Washer, Lock (3/8) - Rear Connect
	851-0022	3	Rear Connect	68	850-0050	7	Chute, Arc
53			Screw, Cap - Hex Head (3/8-16 x 1.0)				4-Pole, Front Connect
	800-0050	3	3-Pole, Front Connect		306-3030	2	4-Pole, Rear Connect
	800-0050	4	4-Pole, Front Connect	69	306-3030	3	Strap, Load
	800-0050	3	Rear Connect	70			3-Pole, Rear Connect
54			Lug, Solderless		337-2399	3	4-Pole, Rear Connect
	332-2704	12	300/400 Amp - Front Connect		337-2399	4	Nut, Lock (3/8-16)
	332-2660	12	600 Amp - Front Connect	71	870-0281	6	

Actuator Handle Assembly



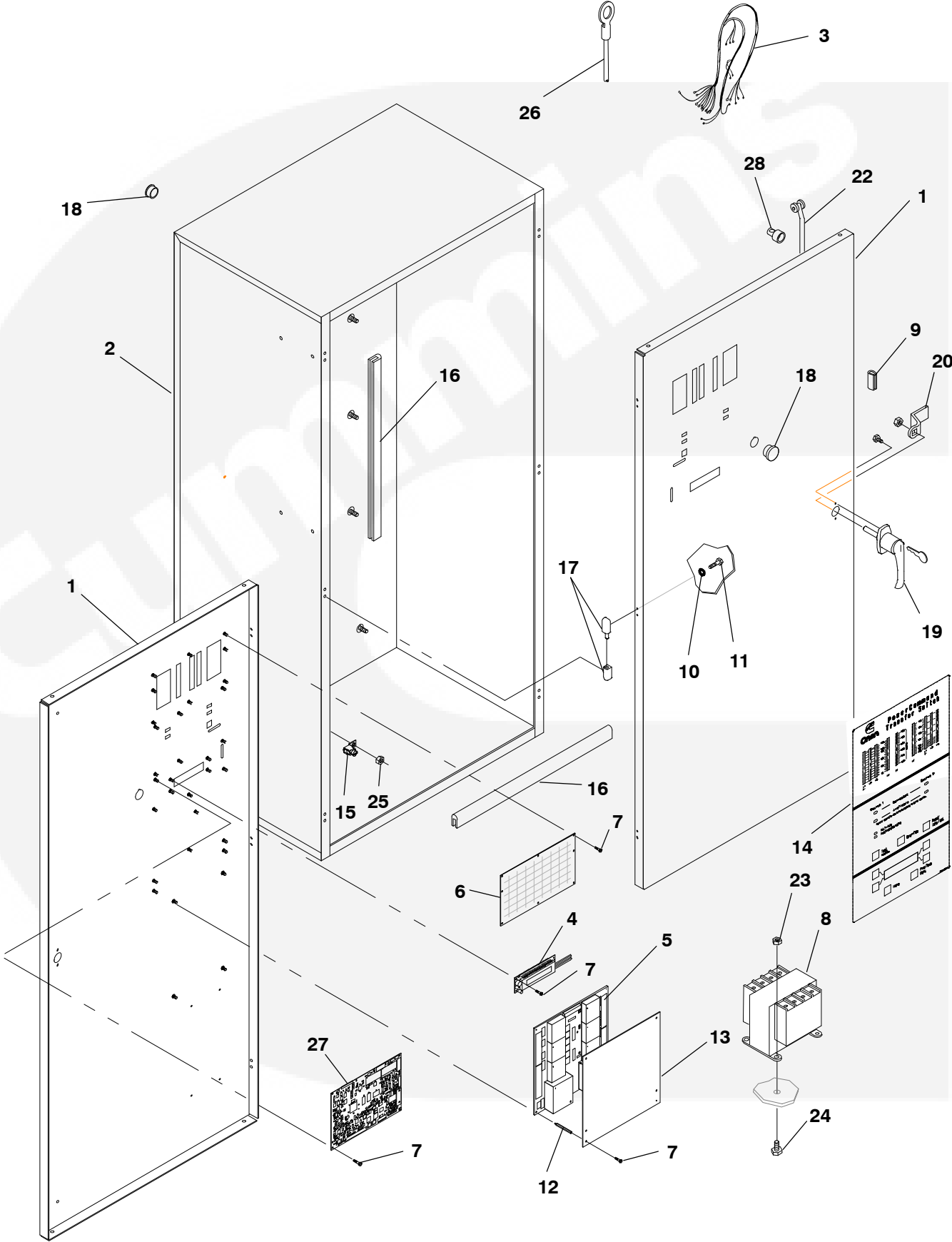
REF NO.	PART NO.	QTY USED	PART DESCRIPTION	REF NO.	PART NO.	QTY USED	PART DESCRIPTION
	306-1372	2	Handle Assembly, Actuator	4	815-0933	1	Screw, Machine – Round Head – Cross Recessed (#10-32 x 1-3/4)
1	306-1342	1	Handle, Switch – Left Hand	5	870-0235	1	Nut, Self-Locking (#8-32)
2	306-1341	1	Handle, Switch – Right Hand	6	870-0298	1	Nut, Self-Locking (#10-32)
3	815-0932	1	Screw, Machine – Round Head – Cross Recessed (#8-32 x 2-1/4)				

Auxiliary Switch Assembly



REF NO.	PART NO.	QTY USED	PART DESCRIPTION	REF NO.	PART NO.	QTY USED	PART DESCRIPTION
	306-3417	2	Switch Assembly, Auxiliary	4	870-0201	2	Nut, Lock (#6-32)
1	306-3420	2	Bracket, Switch - Auxiliary	5	309-0393	4	Switch, Snap-Action
2	306-3391	5	Barrier, Switch				
3	815-0686	2	Screw, Cap - Hex Head (#6-32 x 3-1/4)				

**Cabinet
Type 1**

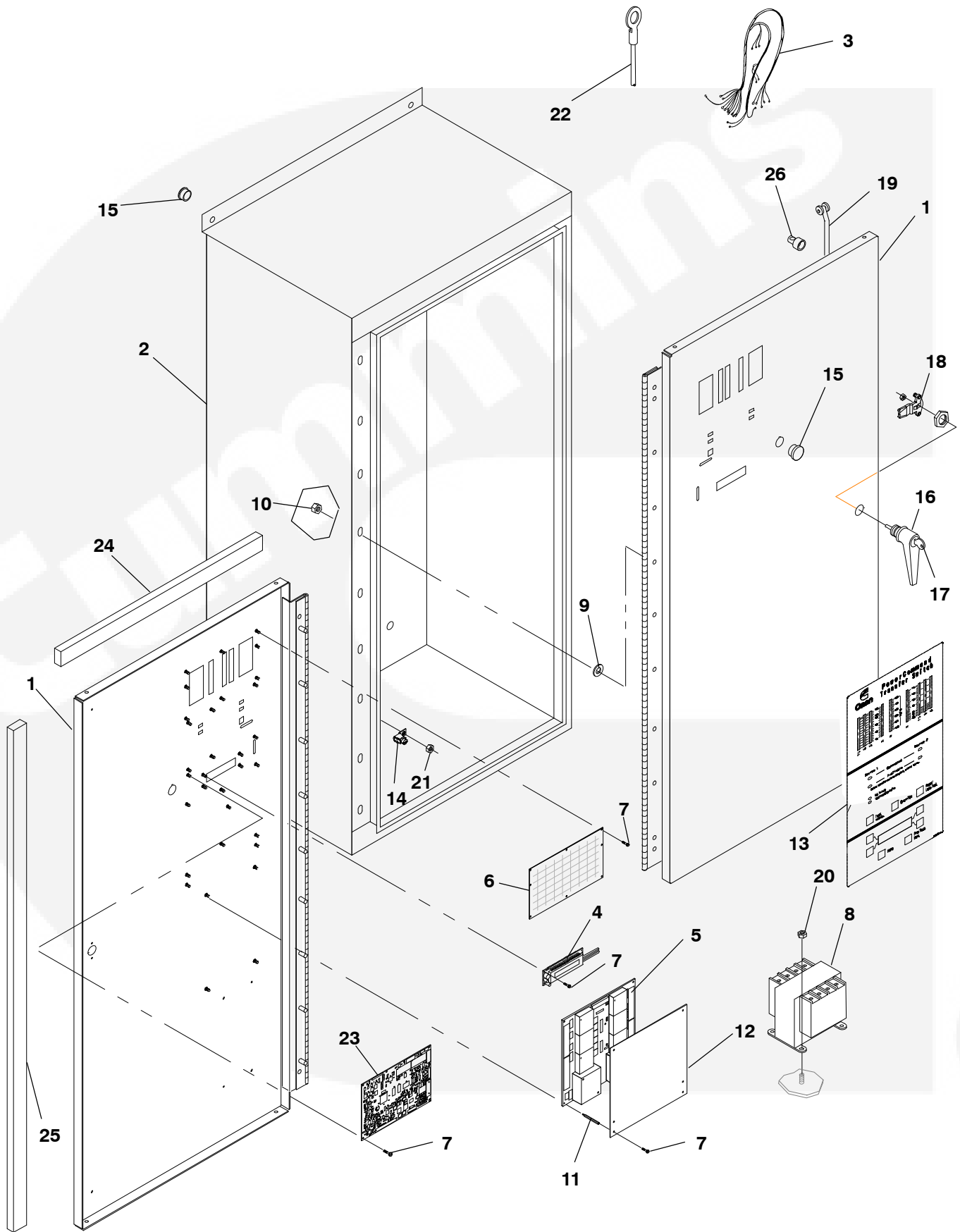


Cabinet Type 1

REF NO.	PART NO.	QTY USED	PART DESCRIPTION	REF NO.	PART NO.	QTY USED	PART DESCRIPTION
1	319-3885-02	1	Door, Cabinet	11	800-2000	12	Screw, Cap – Hex Head (M5 x 8)
2	319-3884-02	1	Cabinet	12	870-2216	4	Standoff, Male Snap
3			Harness, Main	13	306-4523	1	Cover, Printed Circuit Board
			Level 1 Control	14			Membrane, Panel
	338-3854	1	All Except 600 VAC		300-5185	1	Level 1 Control
	338-3856-02	1	600 VAC		300-5186	1	Without Digital Display
			Level 2 Control				With Digital Display
	338-3855-01	1	All Except 600 VAC		300-5186	1	Level 2 Control
	338-3857-02	1	600 VAC				Without Meters–Bar Graph Display
			Generator to Generator Applications		300-5186	1	With Meters–Bar Graph Display
	338-3855-02	1	All Except 600 VAC		300-5271	1	Without Meters–Bar Graph Display
	338-3857-04	1	600 VAC				With Meters–Bar Graph Display
4	300-5151	1	Module, Digital Display	15	332-3653	1	Lug, Solderless (3/8")
5			Board, Printed Circuit – Power Module	16	508-1045	3	Edge, Protection
			Level 1 Control	17	406-0810	3	Block, Hinge
	300-5148-01	1	120 VAC	18	517-0135	4	Plug, Hole
	300-5148-02	1	208/220/240/480 VAC	19	406-0809	1	Handle, Locking (Includes Hardware and 2 Keys)
	300-5148-03	1	600 VAC	20	406-0934	1	Latch, Cam (3 Point)
	300-5148-04	1	190/380/416 VAC	21	517-0137	1	Plug, Hole
			Level 2 Control	22	306-3468-02	2	Rod, Roller
	300-5149-05	1	120 VAC	23	870-0212	4	Nut, Self-Locking (1/4–20)
	300-5149-06	1	208/220/240/440/480 VAC	24	800-0003	4	Screw, Cap – Hex Head (1/4–20 x .50)
	300-5149-07	1	600 VAC	25	870-0281	1	Nut, Lock (3/8–16)
	300-5149-08	1	190/380/416 VAC	26			Lead (Quantity Used as Required)
6	300-5180	1	Board, Printed Circuit – Bar Graph		226-3554-01	1	6.0"
7	815-0959-03	26	Screw, Pan Head (M3 x 8)		226-3554-02	1	3.0"
8	315-0661	1	Transformer, Power (600 VAC Only)	27		1	Board, Printed Circuit – Digital
9	508-1114	4	Edge, Protection		300-5146	1	Level 1 Control
10	853-2005	12	Washer, Lock – W/ET (M5)		300-5147-01	1	Level 2 Control
				28	306-3467	2	Guide, Rod

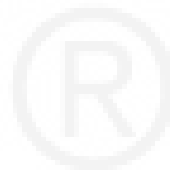


Cabinet Type 3R and 12

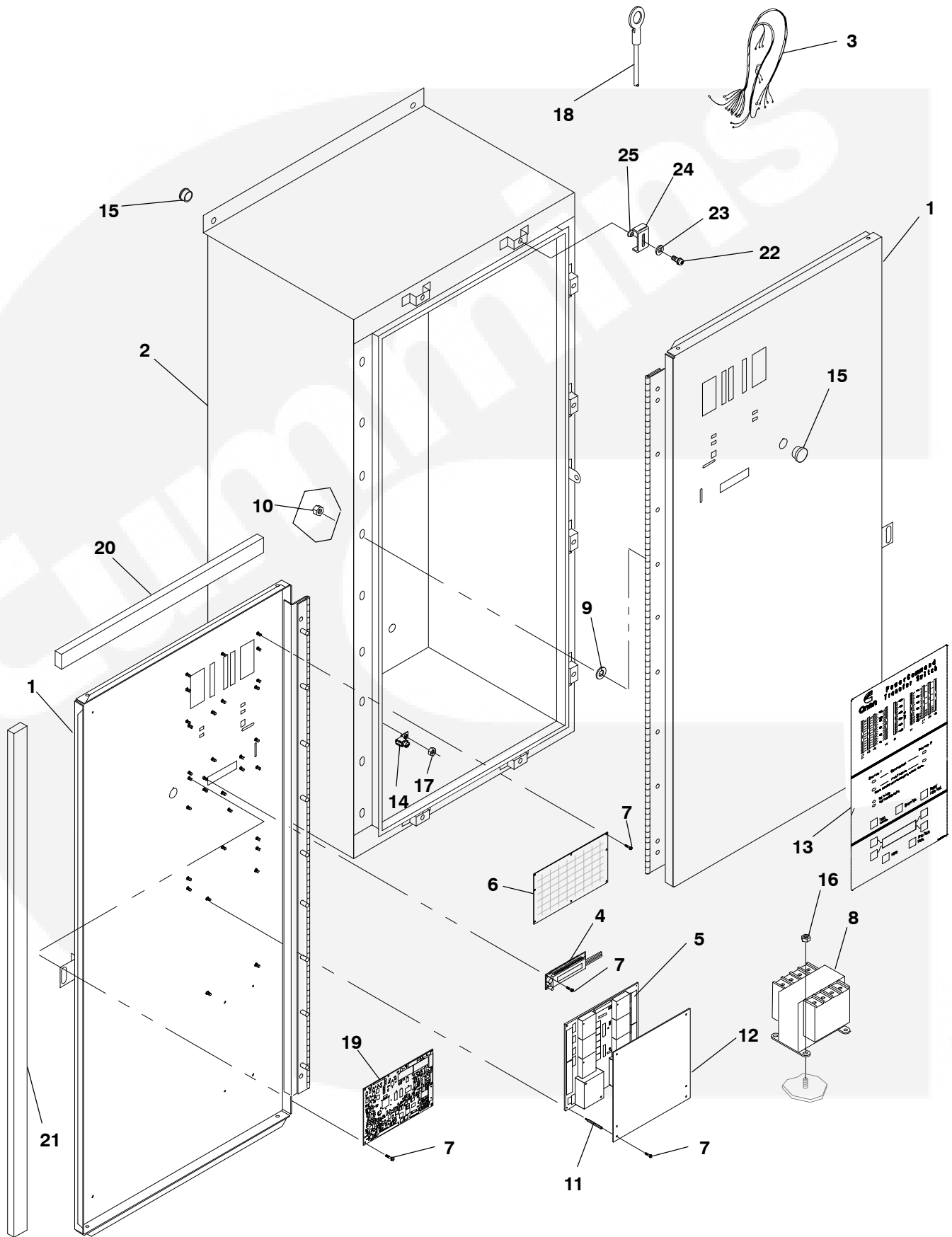


Cabinet Type 3R and 12

REF NO.	PART NO.	QTY USED	PART DESCRIPTION	REF NO.	PART NO.	QTY USED	PART DESCRIPTION
1	319-3888-02	1	Door, Cabinet	8	315-0661	1	Transformer, Power (600 VAC Only)
2			Cabinet	9	508-0233	9	Washer, Rubber
	319-3887-03	1	Type 3R Cabinet	10	870-0131	9	Nut, Hex - W/ET (#10-32)
	319-3887-04	1	Type 12 Cabinet	11	870-2216	4	Standoff, Male Snap
3			Harness, Main	12	306-4523	1	Cover, Printed Circuit Board
			Level 1 Control	13			Membrane, Panel
	338-3854	1	All Except 600 VAC				Level 1 Control
	338-3856-02	1	600 VAC		300-5391	1	Without Digital Display
			Level 2 Control		300-5392	1	With Digital Display
	338-3855-01	1	All Except 600 VAC				Level 2 Control
	338-3857-02	1	600 VAC		300-5392	1	Without Meters-Bar Graph
			Generator to Generator Applications		300-5393	1	Display
	338-3855-02	1	All Except 600 VAC				With Meters-Bar Graph
	338-3857-04	1	600 VAC				Display
4	300-5151	1	Module, Digital Display	14	332-3653	1	Lug, Solderless (3/8")
5			Board, Printed Circuit - Power	15	517-0266	5	Plug, Hole
			Module	16	406-0613	1	Handle, Door (Includes Key)
			Level 1 Control	17	406-0649	1	Key, Replacement
	300-5148-01	1	120 VAC	18	306-3525	1	Latch, Cam (3 Point)
	300-5148-02	1	208/220/240/440/480	19	306-3526-03	2	Rod, Roller
			VAC	20	870-0212	4	Nut, Self-Locking (1/4-20)
	300-5148-03	1	600 VAC	21	870-0281	1	Nut, Lock (3/8-16)
	300-5148-04	1	190/380/416 VAC	22			Lead (Quantity Used as
			Level 2 Control				Required)
	300-5149-05	1	120 VAC		226-3554-01	1	6.0"
	300-5149-06	1	208/220/240/440/480		226-3554-02	1	3.0"
			VAC	23		1	Board, Printed Circuit - Digital
	300-5149-07	1	600 VAC		300-5146	1	Level 1 Control
	300-5149-08	1	190/380/416 VAC		300-5147-01	1	Level 2 Control
6	300-5180	1	Board, Printed Circuit - Bar	24	895-0293-07	2	Gasket, Door
			Graph	25	895-0293-08	2	Gasket, Door
7	815-0959-03	26	Screw, Pan Head (M3 x 8)	26	306-3467	2	Guide, Rod



Cabinet Type 4

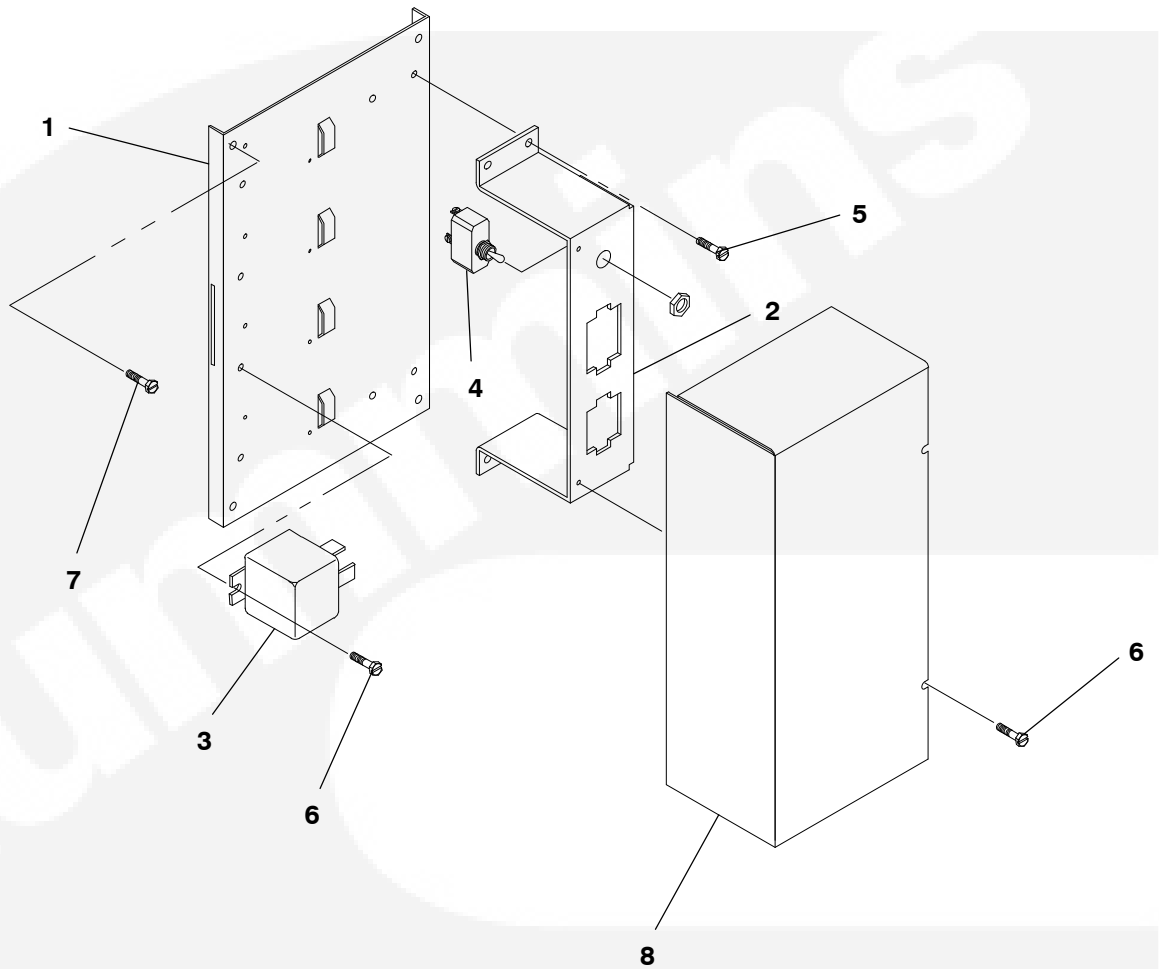


Cabinet Type 4

REF NO.	PART NO.	QTY USED	PART DESCRIPTION	REF NO.	PART NO.	QTY USED	PART DESCRIPTION
1	319-3891-02	1	Door, Cabinet	9	508-0233	9	Washer, Rubber
2	319-3890-02		Cabinet	10	870-0131	9	Nut, Hex - W/ET (#10-32)
3			Harness, Main	11	870-2216	4	Standoff, Male Snap
			Level 1 Control	12	306-4523	1	Cover, Printed Circuit Board
	338-3854	1	All Except 600 VAC	13			Membrane, Panel
	338-3856-02	1	600 VAC				Level 1 Control
			Level 2 Control		300-5391	1	Without Digital Display
	338-3855-01	1	All Except 600 VAC		300-5392	1	With Digital Display
	338-3857-02	1	600 VAC				Level 2 Control
			Generator to Generator Applications		300-5392	1	Without Meters-Bar Graph Display
	338-3855-02	1	All Except 600 VAC		300-5393	1	With Meters-Bar Graph Display
	338-3857-04	1	600 VAC				
4	300-5151	1	Module, Digital Display	14	332-3653	1	Lug, Solderless (3/8")
5			Board, Printed Circuit - Power Module	15	517-0266	5	Plug, Hole
			Level 1 Control	16	870-0212	4	Nut, Self-Locking (1/4-20)
	300-5148-01	1	120 VAC	17	870-0281	1	Nut, Lock (3/8-16)
	300-5148-02	1	208/220/240/440/480 VAC	18			Lead (Quantity Used as Required)
	300-5148-03	1	600 VAC		226-3554-01	1	6.0"
	300-5148-04	1	190/380/416 VAC		226-3554-02	1	3.0"
			Level 2 Control	19		1	Board, Printed Circuit - Digital Level 1 Control
	300-5149-05	1	120 VAC		300-5146	1	Level 2 Control
	300-5149-06	1	208/220/240/440/480 VAC	20	300-5147-01	1	Level 2 Control
			600 VAC	21	895-0293-07	2	Gasket, Door
	300-5149-07	1	600 VAC	22	895-0293-08	2	Gasket, Door
	300-5149-08	1	190/380/416 VAC		812-0177	8	Screw, Round Head (5/16-18 x .75)
6	300-5180	1	Board, Printed Circuit - Bar Graph	23	526-0022	8	Washer, Flat (5/16)
7	815-0959-03	26	Screw, Pan Head (M3 x 8)	24	301-6727	8	Bracket, Door
8	315-0661	1	Transformer, Power (600 VAC Only)	25	406-0519	8	Spring, Conical



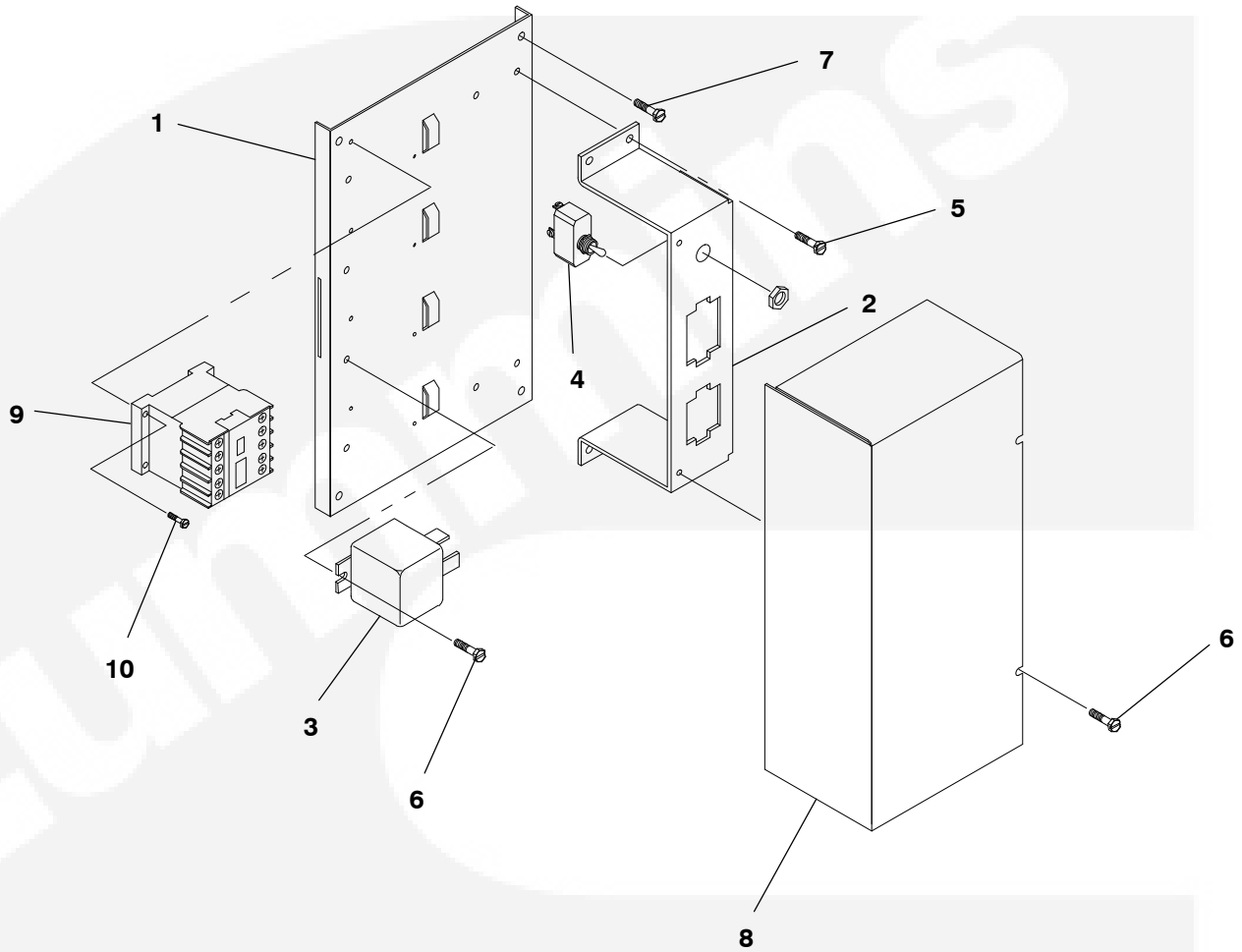
Accessory Control Plate (Less than 600 Volt)



CP01

REF NO.	PART NO.	QTY USED	PART DESCRIPTION	REF NO.	PART NO.	QTY USED	PART DESCRIPTION
1	319-3940-02	1	Plate, Relay	6	815-0792-02	5	Screw, Pan Head – Crossed Recessed (M4 x 8)
2	319-3941-02	1	Bracket, Connector	7	815-0960-04	4	Screw, Pan Head – Crossed Recessed (M4 x 12)
3	307-2929	3	Relay – 3PDT (K1, K2, and K3)	8	319-3942-02	1	Cover, Relay Plate
4	308-0406	1	Switch, Toggle				
5	815-0955-03	4	Screw, Phillips/Hex Head – GND (M4 x 10)				

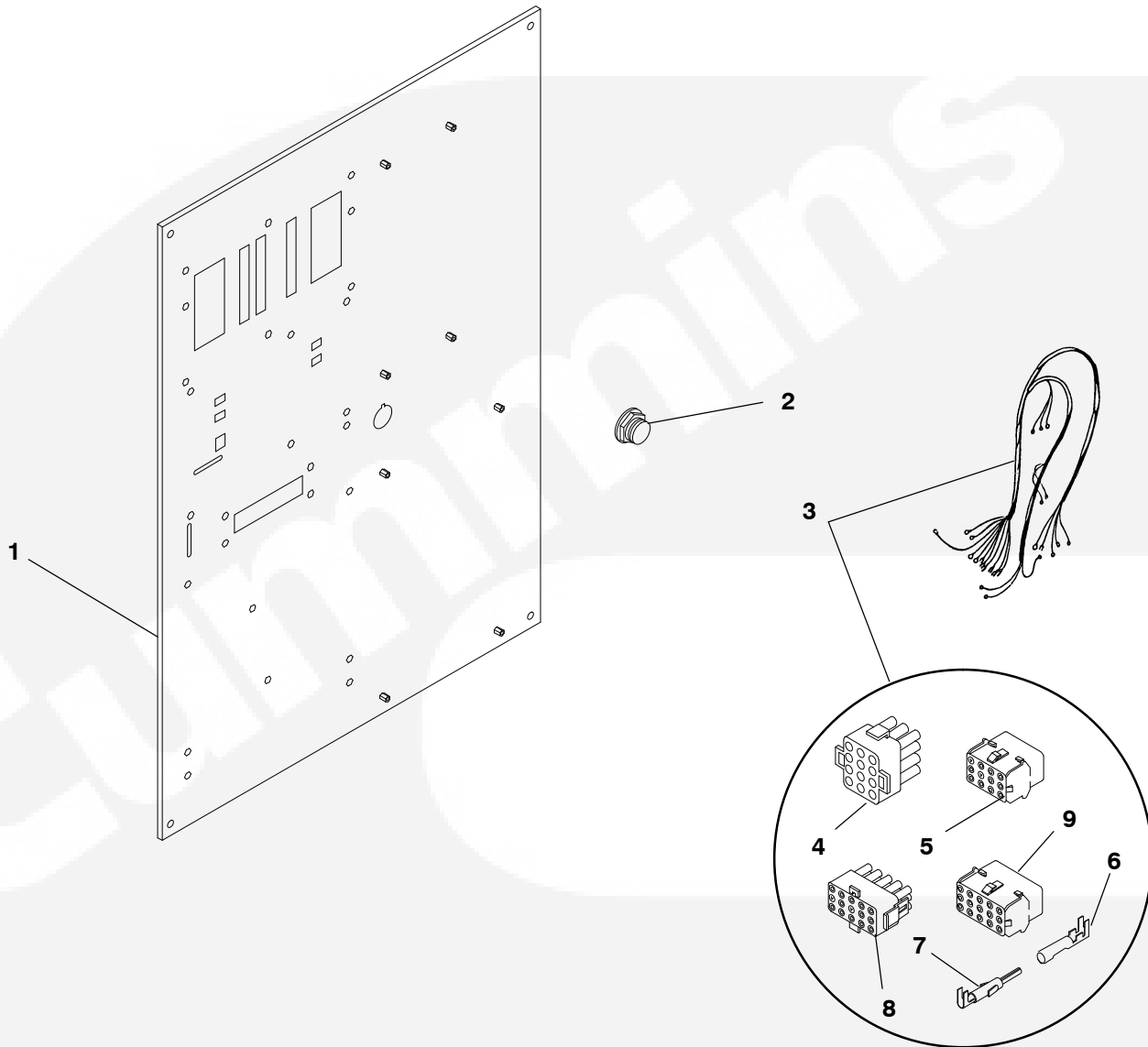
Accessory Control Plate (600 Volt)



R027

REF NO.	PART NO.	QTY USED	PART DESCRIPTION	REF NO.	PART NO.	QTY USED	PART DESCRIPTION
1	319-3940-02	1	Plate, Relay	7	815-0960-04	4	Screw, Pan Head – Crossed Recessed (M4 x 12)
2	319-3941-02	1	Bracket, Connector	8	319-3942-02	1	Cover, Relay Plate
3	307-2929	1	Relay – 3PDT	9	307-2931	2	Relay, Control
4	308-0406	1	Switch, Toggle	10	815-0958-04	4	Screw, Pan Head – Cross Recessed (M3 x 12)
5	815-0955-03	4	Screw, Phillips/Hex Head – GND (M4 x 10)				
6	815-0792-02	3	Screw, Pan Head – Crossed Recessed (M4 x 8)				

Plate and Wiring Harness (Open Construction)



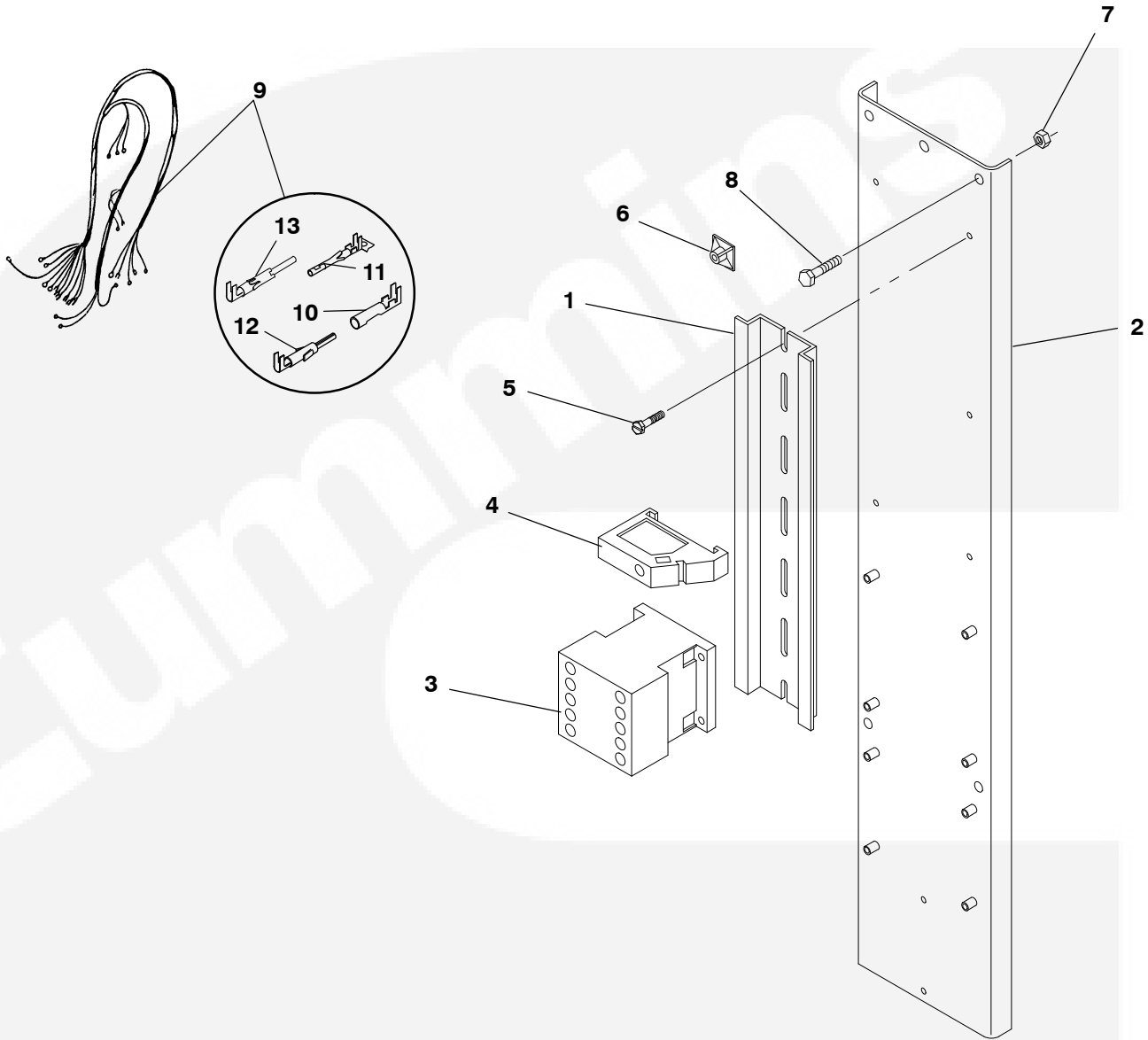
B004, N013

REF NO.	PART NO.	QTY USED	PART DESCRIPTION
1	319-4011-02	1	Plate, Open Construction
2	517-0266	1	Plug, Hole
3	338-2219	1	Harness, Control (Optional) With 12 Pin Connector (Includes Parts Marked *)
	338-2220	1	With 15 Pin Connector (Includes Parts Marked #)
4	323-1314	1	* Plug, Connector (12 Pin) (P2)
5	323-1315	1	* Cap, Connector (12 Pin) (J2)

REF NO.	PART NO.	QTY USED	PART DESCRIPTION
6			*# Socket, Contact
	323-1200	12	338-2219 Wiring Harness
	323-1200	15	338-2220 Wiring Harness
7			*# Pin, Contact
	323-1199	12	338-2219 Wiring Harness
	323-1199	15	338-2220 Wiring Harness
8	323-1252	1	# Plug, Connector (15 Pin) (P1)
9	323-1253	1	# Cap, Connector (15 Pin) (J1)

* - Parts Included in 338-2219 Wiring Harness
- Parts Included in 338-2220 Wiring Harness

Wiring Harness Battery Charger (Generator Set to Generator Set)

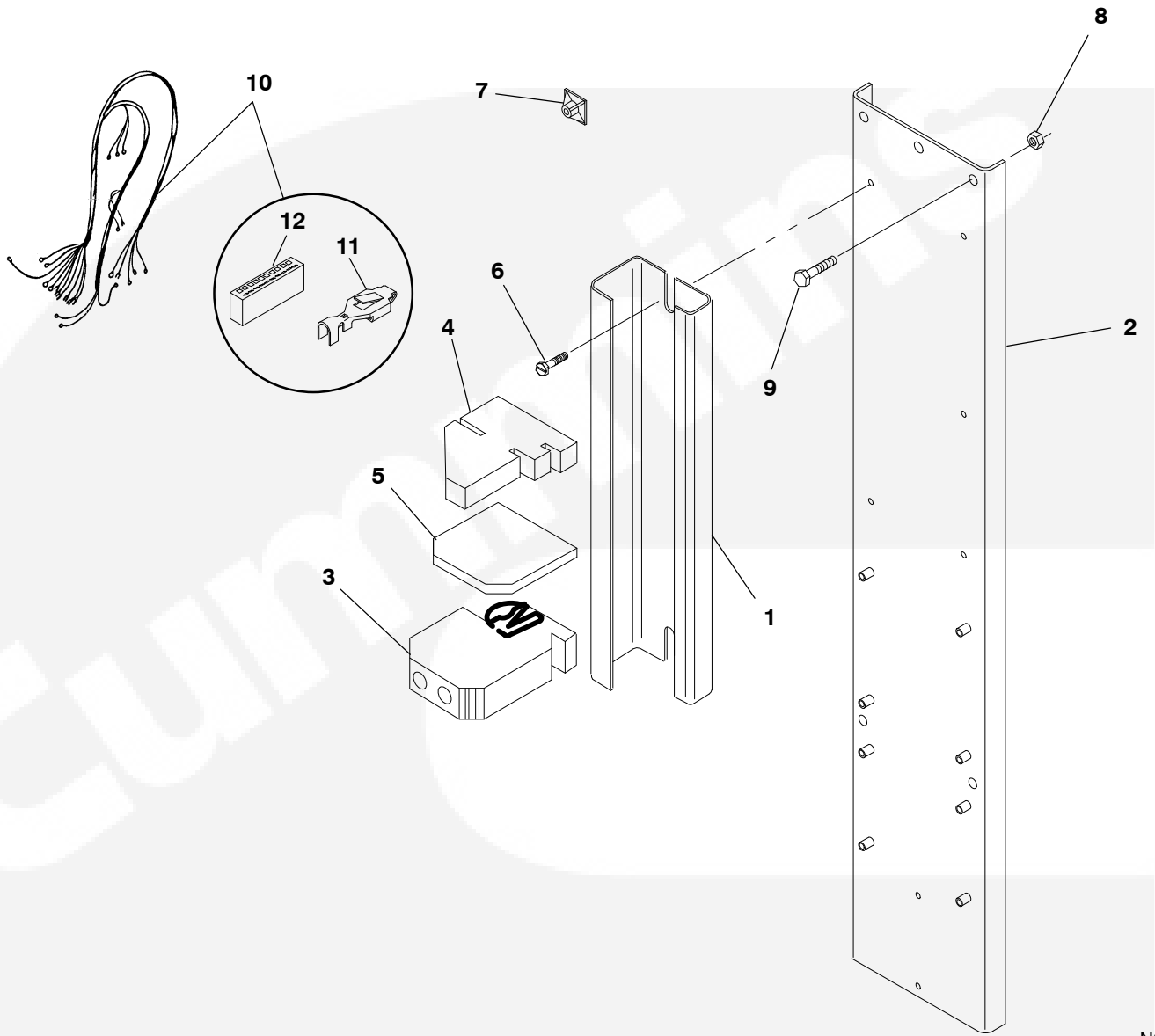


A037

REF NO.	PART NO.	QTY USED	PART DESCRIPTION	REF NO.	PART NO.	QTY USED	PART DESCRIPTION
1	332-2879-04	1	Rail, Terminal	9	338-3836	1	Harness, Battery Charger (Includes Parts Marked *)
2	319-3943	1	Plate, Mounting	10	323-1200	2	* Socket, Contact
3	307-2873	1	Relay, Control (12 VDC)	11	332-3606	1	* Socket, Contact
4	332-2878	2	Bracket, End	12	323-1199	2	* Pin, Contact
5	815-0955-03	2	Screw, Phillips/Hex Head - GND (M4 x 10)	13	323-1703	2	* Pin, Contact
6	332-2420	2	Mount, Cable Tie				
7	870-0212	4	Nut, Self-Locking (1/4-20)				
8	800-0005	4	Screw, Cap - Hex Head (1/4-20 x .75)				

* - Parts Included in 338-3837 Wiring Harness

Battery Charger Alarm

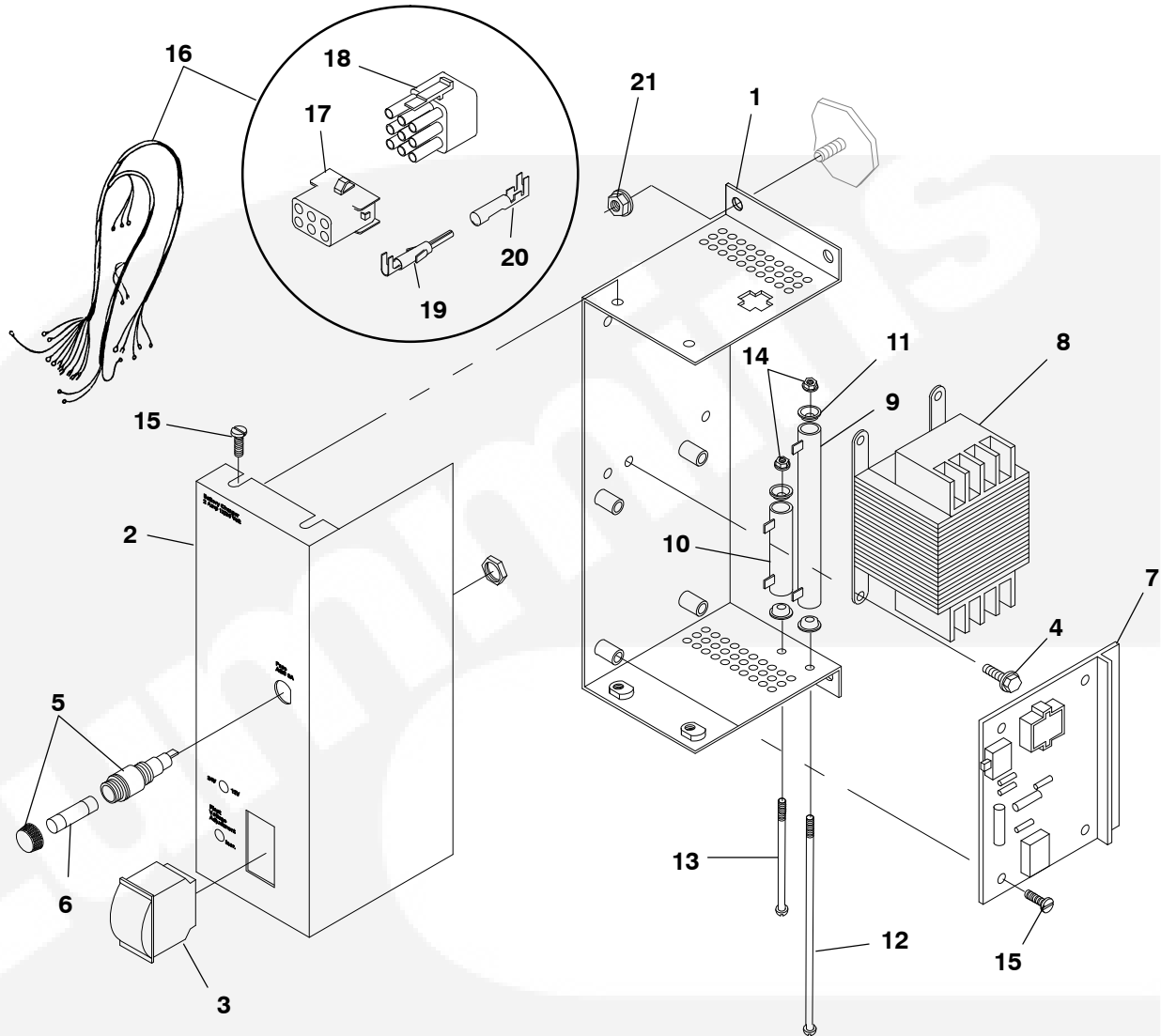


N002

REF NO.	PART NO.	QTY USED	PART DESCRIPTION	REF NO.	PART NO.	QTY USED	PART DESCRIPTION
1	332-2837-09	1	Rail, Terminal Block	9	800-0005	4	Screw, Cap - Hex Head (1/4-20 x .75)
2	319-3943	1	Plate, Mounting	10	338-2350	1	Harness, Alarm (Includes Parts Marked *)
3	332-2836-02	1	Block, Terminal (Sectional)	11	323-1302	9	* Pin, Contact (J2)
4	332-2839	2	Bracket, End - Terminal	12	323-1374-10	1	* Housing, Connector (10 Pin) (J2)
5	332-2841	1	Plate, End - Terminal				
6	815-0955-03	2	Screw, Phillips/Hex Head - GND (M4 x 10)				
7	332-2420	2	Mount, Cable Tie				
8	870-0212	4	Nut, Self-Locking (1/4-20)				

* - Parts Included in 338-2349 Wiring Harness

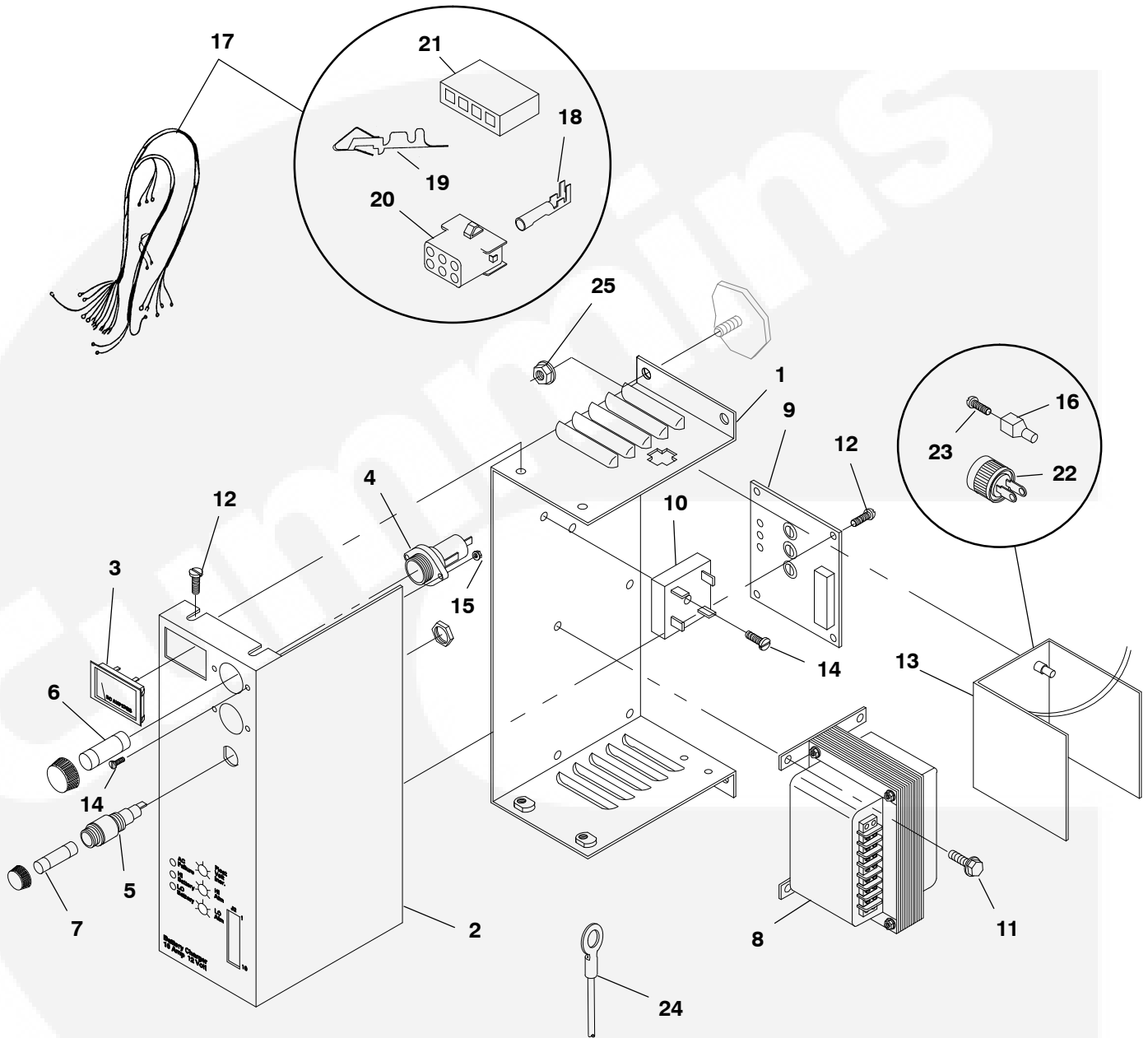
Battery Charger 2 Amp, 12/24 Volt



REF NO.	PART NO.	QTY USED	PART DESCRIPTION	REF NO.	PART NO.	QTY USED	PART DESCRIPTION
1	301-9990	1	Wrapper, Charger – Battery	13	813-0112	1	Screw, Machine – Round Head (#10-32 x 2-1/2)
2	301-9991	1	Cover, Charger – Battery	14	870-0131	2	Nut, Hex – W/ET (#10-32)
3	302-0807	1	Ammeter, DC	15	815-0845	8	Screw, Pan Head – W/ET (#6-32 x 3/8)
4	821-0040	4	Screw, Machine – Locking Head Slotted (#10-32 x 5/16)	16	338-2149	1	Harness, Wiring (Includes Parts Marked #)
5	321-0175	1	Holder, Fuse	17	323-1318	1	*Cap, 6 pin (J6)
6	321-0153	1	Fuse, 3 Amp	18	323-1291	1	*Plug, 9 pin (P9)
7	300-2946	1	Board, Printed Circuit	19	323-1199	A/R	*Pin, Terminal
8			Transformer	20	323-1200	A/R	*Socket, Terminal
	315-0621-01	1	120 Volt	21	862-0026-53	4	Nut, Hex – W/ET (M5)
	315-0621-02	1	208/240/480 Volt				
	315-0621-03	1	380/416 Volt				
	315-0621-04	1	600 Volt				
9	304-0037	1	Resistor, Fixed				
10	304-0139	1	Resistor, Fixed				
11	304-0015	4	Washer, Centering (7/32")				
12	813-0116	1	Screw, Machine – Round Head (#10-32 x 6-1/2)				

* – Parts Included in 338-2149 Wiring Harness

Battery Charger 10 Amp, 12 Volt



Battery Charger 10 Amp, 12 Volt

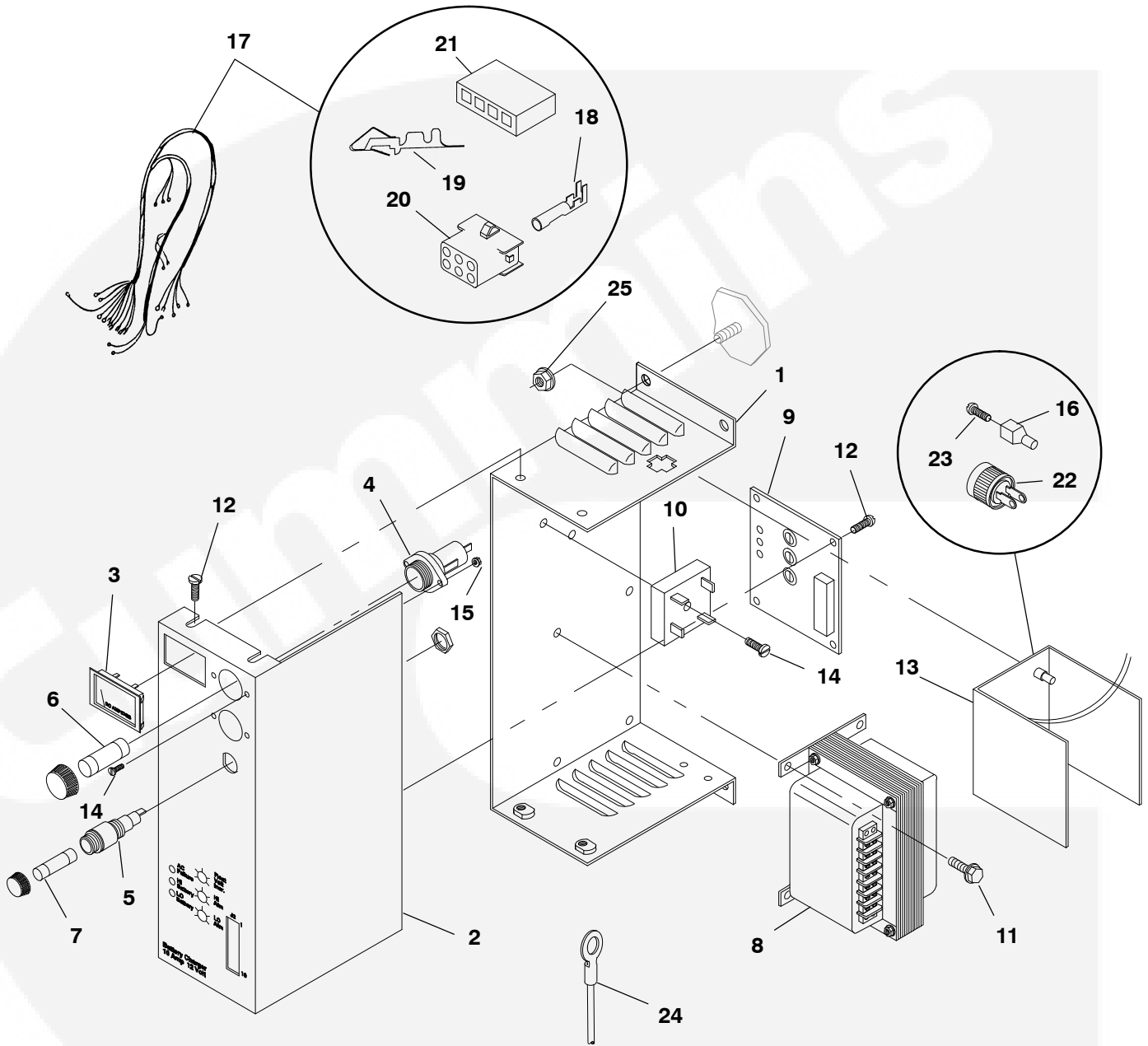
REF NO.	PART NO.	QTY USED	PART DESCRIPTION	REF NO.	PART NO.	QTY USED	PART DESCRIPTION
1	319-0072	1	Wrapper, Charger – Battery	9	300-3160	1	PCB, Charger – Battery
2	319-0073	1	Cover, Charger – Battery	10	305-0653	1	Rectifier, Bridge
3	302-1844	1	Ammeter, DC	11	821-0040	4	Screw, Machine – Locking Head (#10-32 x 5/16)
4	321-0237	2	Holder, Fuse (AC Input)	12	815-0845	8	Screw, Pan Head – W/ET (#6-32 x 3/8)
5	321-0104	1	Holder, Fuse (DC Output)	13	305-0781	1	Rectifier Assembly – SCR (12 Volt) (Includes Parts Marked *)
6			Fuse	14	815-0539	6	Screw, Pan Head – W/ET (#8-32 x 5/8)
			50 Hertz	15	870-0221	5	Nut, Hex – W/ET (#8-32)
	321-0304-01	2	416/440 Volt	16	870-0263	4	*Nut, Insulated (#8)
	321-0304-02	2	380 Volt	17	338-2223	1	Harness, Battery Charger (Includes Parts Marked #)
	321-0304-03	2	240 Volt	18	323-1200	A/R	#Socket, Terminal
	321-0304-04	2	220 Volt	19	323-1302	A/R	#Pin, Terminal
			60 Hertz	20	323-1318	1	#Cap, 6 pin
	321-0304-01	2	480 Volt	21	323-1374-05	1	#Plug, 5 pin
	321-0304-02	2	380 Volt	22	364-0003	1	*Rectifier, Gate (SCR)
	321-0304-03	2	240 Volt	23	809-0035	4	*Screw, Sheet Metal – Round Head (#8 x 3/4)
	321-0304-04	2	208 Volt	24	226-3554-02	1	Lead (Quantity Used as Required)
	321-0304-05	2	120 Volt	25	862-0026-53	4	Nut, Hex – W/ET (M5)
	321-0303-02	2	600 Volt				
7	321-0127	1	Fuse (15 Amp)				
8			Transformer				
			50 Hertz				
	315-0702	1	380 Volt				
	315-0704	1	220/416/440 Volt				
	315-0712	1	240 Volt				
			60 Hertz				
	315-0700	1	120/208/240 Volt				
	315-0706	1	380 Volt				
	315-0708	1	480 Volt				
	315-0710	1	600 Volt				

– Parts Included in 338-2223 Wiring Harness

* – Parts Included in 305-0781 Rectifier Assembly



Battery Charger 10 Amp, 24 Volt



Battery Charger 10 Amp, 24 Volt

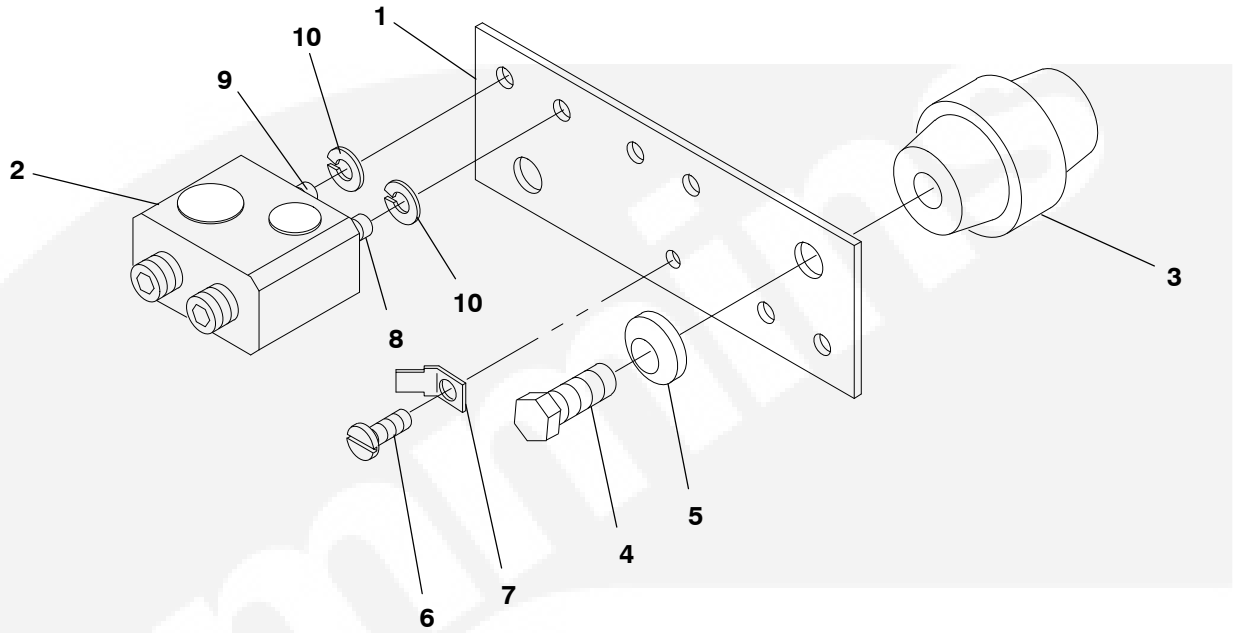
REF NO.	PART NO.	QTY USED	PART DESCRIPTION	REF NO.	PART NO.	QTY USED	PART DESCRIPTION
1	319-0072	1	Wrapper, Charger – Battery	9	300-3244	1	PCB, Charger – Battery
2	319-0073	1	Cover, Charger – Battery (Includes Silkscreen)	10	305-0653	1	Rectifier, Bridge
3	302-1844	1	Ammeter, DC	11	821-0040	4	Screw, Machine – Locking Head (#10-32 x 5/16)
4	321-0237	2	Holder, Fuse (AC Input)	12	815-0845	8	Screw, Pan Head – W/ET (#6-32 x 3/8)
5	321-0104	1	Holder, Fuse (DC Output)	13	305-0781	1	Rectifier Assembly – SCR (12 Volt) (Includes Parts Marked *)
6			Fuse				
			50 Hertz				
	321-0304-04	2	380/416/440 Volt				
	321-0304-05	2	240 Volt	14	815-0539	6	Screw, Pan Head – W/ET (#8-32 x 5/8)
	321-0304-06	2	220 Volt				
			60 Hertz				
	321-0303-02	2	600 Volt	15	870-0221	5	Nut, Hex – W/ET (#8-32)
	321-0304-03	2	480 Volt	16	870-0263	4	*Nut, Insulated (#8)
	321-0304-04	2	380 Volt	17	338-2223	1	Harness, Battery Charger (Includes Parts Marked #)
	321-0304-05	2	240 Volt	18	323-1200	A/R	#Socket, Terminal
	321-0304-06	2	120/208 Volt	19	323-1302	A/R	#Pin, Terminal
7	321-0127	1	Fuse (15 Amp)	20	323-1318	1	#Cap, 6 pin
8			Transformer	21	323-1374-05	1	#Plug, 5 pin
			50 Hertz	22	364-0003	1	*Rectifier, Gate (SCR)
	315-0705	1	220/416/440 Volt	23	809-0035	4	*Screw, Sheet Metal – Round Head (#8 x 3/4)
	315-0703	1	380 Volt				
	315-0713	1	240 Volt	24	226-3554-02	1	Lead (Quantity Used as Required)
			60 Hertz				
	315-0701	1	120/208/240 Volt	25	862-0026-53	4	Nut, Hex – W/ET (M5)
	315-0707	1	380 Volt				
	315-0709	1	480 Volt				
	315-0711	1	600 Volt				

– Parts Included in 338-2223 Wiring Harness

* – Parts Included in 305-0781 Rectifier Assembly

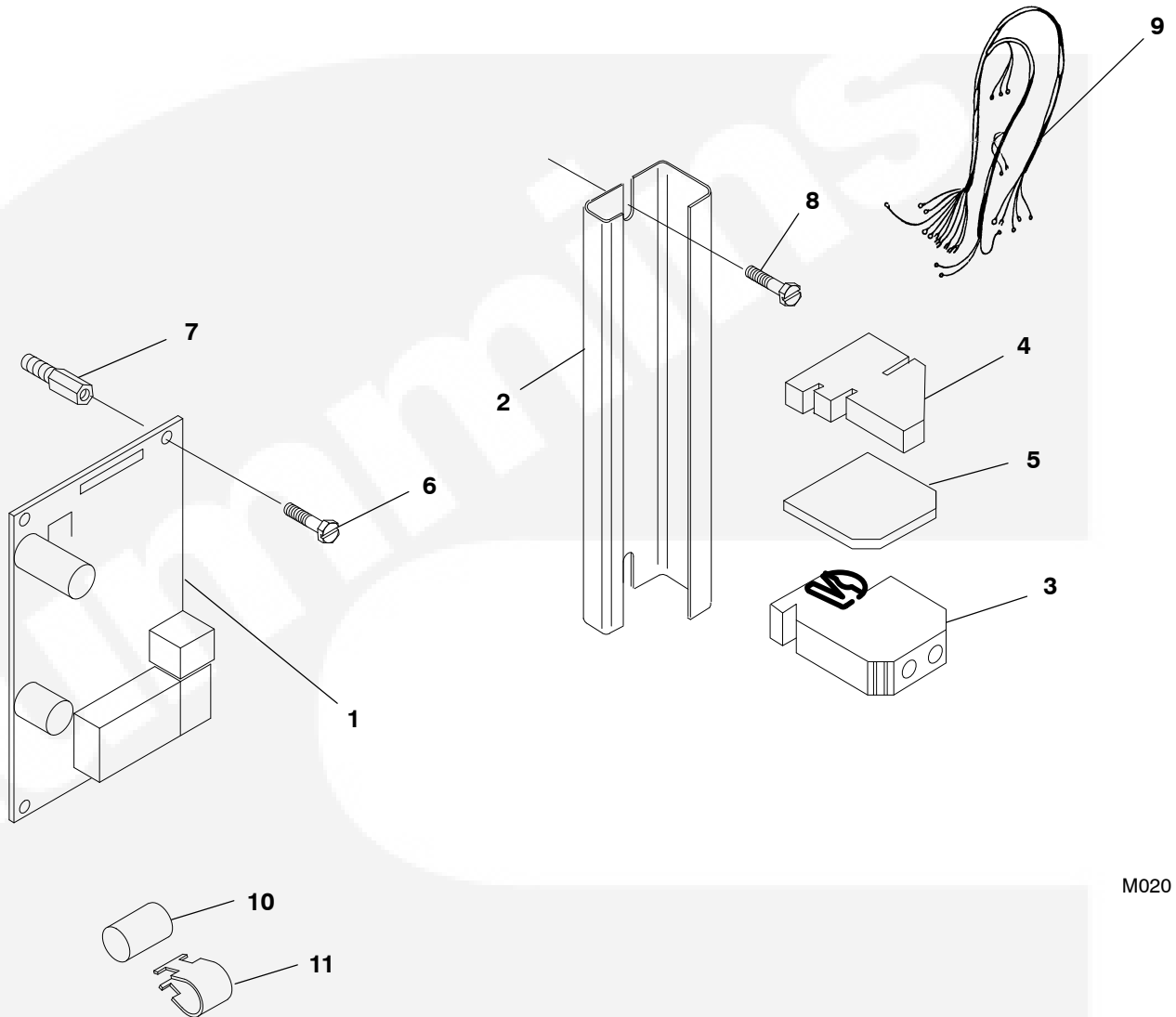


Neutral Bar



REF NO.	PART NO.	QTY USED	PART DESCRIPTION	REF NO.	PART NO.	QTY USED	PART DESCRIPTION
1	337-2352	1	Bar, Neutral	7	332-2834	1	Tab, Terminal (.25)
2	332-2704	3	Lug, Solderless 300/400 Amp	8	822-0085	3	Screw, Pan Head (1/4-20 x 5/8)
	332-2660	3	600 Amp	9	822-0089	3	Screw, Pan Head 300/400 Amp (1/4-20 x 1-1/4)
3	332-2512	2	Standoff, Insulator		822-0091	3	600 Amp (1/4-20 x 1-1/2)
4	800-0049	2	Screw, Cap - Hex Head (3/8-16 x 7/8)	10	850-0039	6	Washer, Lock (1/4)
5	851-0022	2	Spring, Disc - Conical (3/8)				
6	815-0285	1	Screw, Machine - Round Head - W/ET (#8-32 x 5/8)				

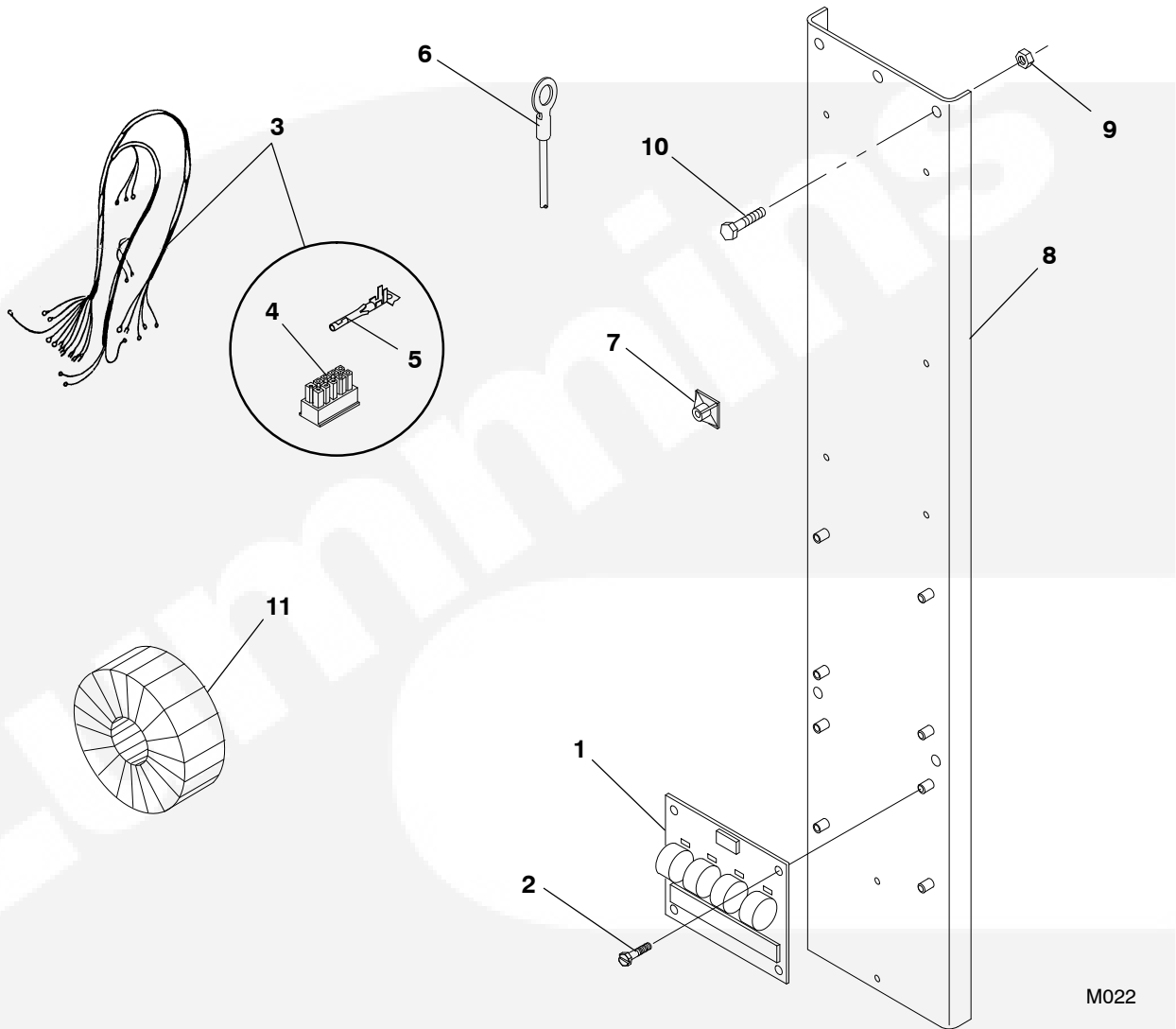
Network Module



M020

REF NO.	PART NO.	QTY USED	PART DESCRIPTION	REF NO.	PART NO.	QTY USED	PART DESCRIPTION
1	327-1542	1	Board, Printed Circuit - Network Module	7	870-2213-02	4	Standoff, Hex Thread (M3)
2	332-2837-09	1	Rail, Terminal Block	8	815-0955-03	2	Screw, Phillips/Hex Head - GND (M4 x 10)
3	332-2836-01	2	Block, Terminal (Sectional)	9	338-3886	1	Harness, Network
4	332-2839	2	Bracket, End - Terminal	10		2	Battery - Lithium (3.0V) (Purchase Locally)
5	332-2841	1	Plate, End - Terminal	11	416-1049	2	Clip, Battery
6	815-0959-03	4	Screw, Pan Head (M3 x 0.5 x 8)				

Current Transformer Module

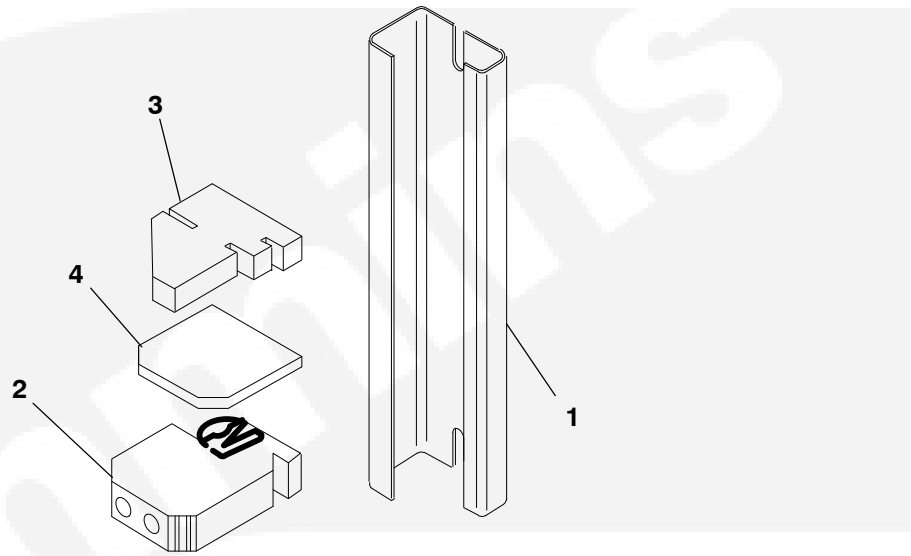


M022

REF NO.	PART NO.	QTY USED	PART DESCRIPTION	REF NO.	PART NO.	QTY USED	PART DESCRIPTION
1	300-5254	1	Board, Printed Circuit – Current Module	11			Transformer, Current 300 Amp
2	815-0959-03	4	Screw, Pan Head (M3 x 8)	302-1394	2		120 VAC
3	338-3884-01	1	Harness, Current Module (Includes Parts Marked *)	302-1394	3		1 Phase, 2 or 3 Wire
4	323-1806-05	2	* Connector, Receptacle (10 Pin)	302-1394	4		3 Phase, 3 or 4 Wire
5	332-3606	20	* Socket, Contact				400 Amp
6			Lead	302-1809	2		120 VAC
	226-4794-03	1	15" (Marked J40-14, GND)	302-1809	3		1 Phase, 2 or 3 Wire
	226-4794-04	4	3" (No Markings)	302-1809	4		3 Phase, 3 or 4 Wire
7	332-2420	2	Mount, Cable Tie				600 Amp
8	319-3943	1	Plate, Mounting	302-1395	2		120 VAC
9	870-0212	4	Nut, Self-Locking (1/4-20)	302-1395	3		1 Phase, 2 or 3 Wire
10	800-0005	4	Screw, Cap – Hex Head (1/4-20 x .75)	302-1395	4		3 Phase, 3 or 4 Wire

* – Parts Included in 338-3884-01 Wiring Harness

Terminal Block

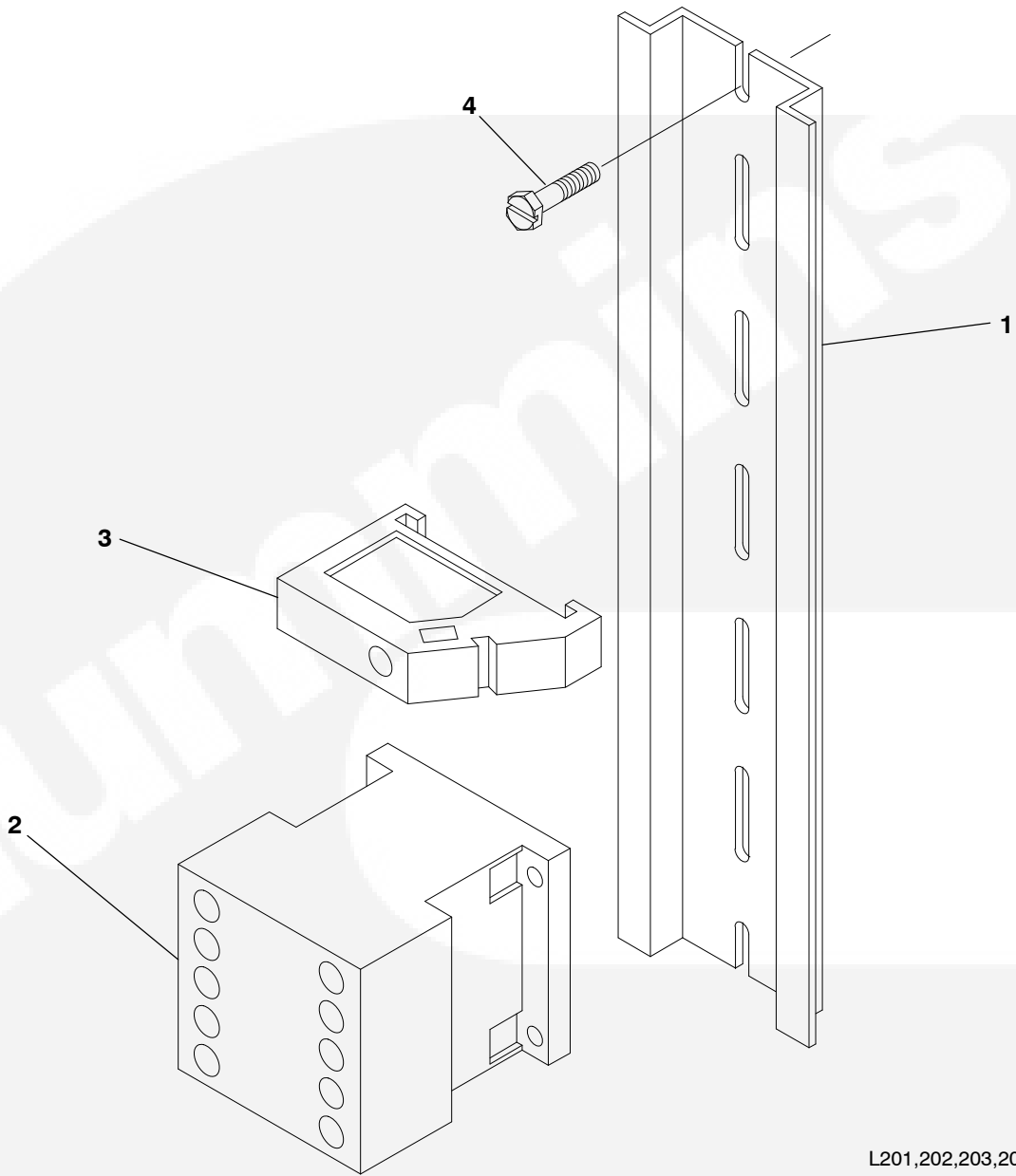


A037,K001,K002,K003

REF NO.	PART NO.	QTY USED	PART DESCRIPTION	REF NO.	PART NO.	QTY USED	PART DESCRIPTION
1	332-2837-09	1	Rail, Terminal Block	3	332-2839	2	Bracket, End - Terminal
2	332-2836-02	3	Block, Terminal (Sectional)	4	332-2841	1	Plate, End - Terminal



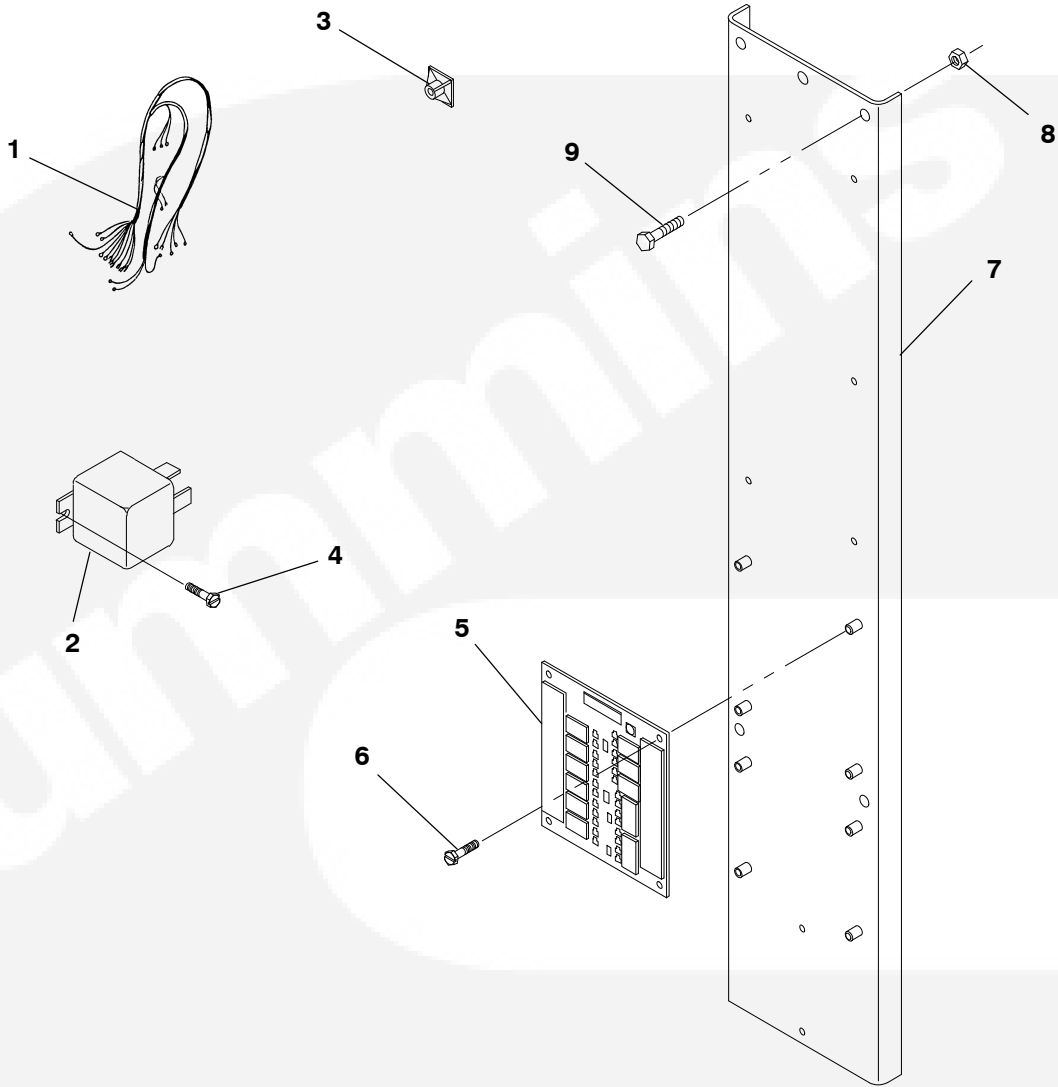
Auxiliary Relay



L201,202,203,204,101,102,103,104

REF NO.	PART NO.	QTY USED	PART DESCRIPTION	REF NO.	PART NO.	QTY USED	PART DESCRIPTION
1	332-2879-02	1	Rail, Terminal	3	332-2878	2	Bracket, End
2	307-2873	1	Relay, Control 12 VDC	4	815-0955-03	2	Screw, Phillips/Hex Head - GND (M4 x 10)
	307-2874	1	24 VDC				

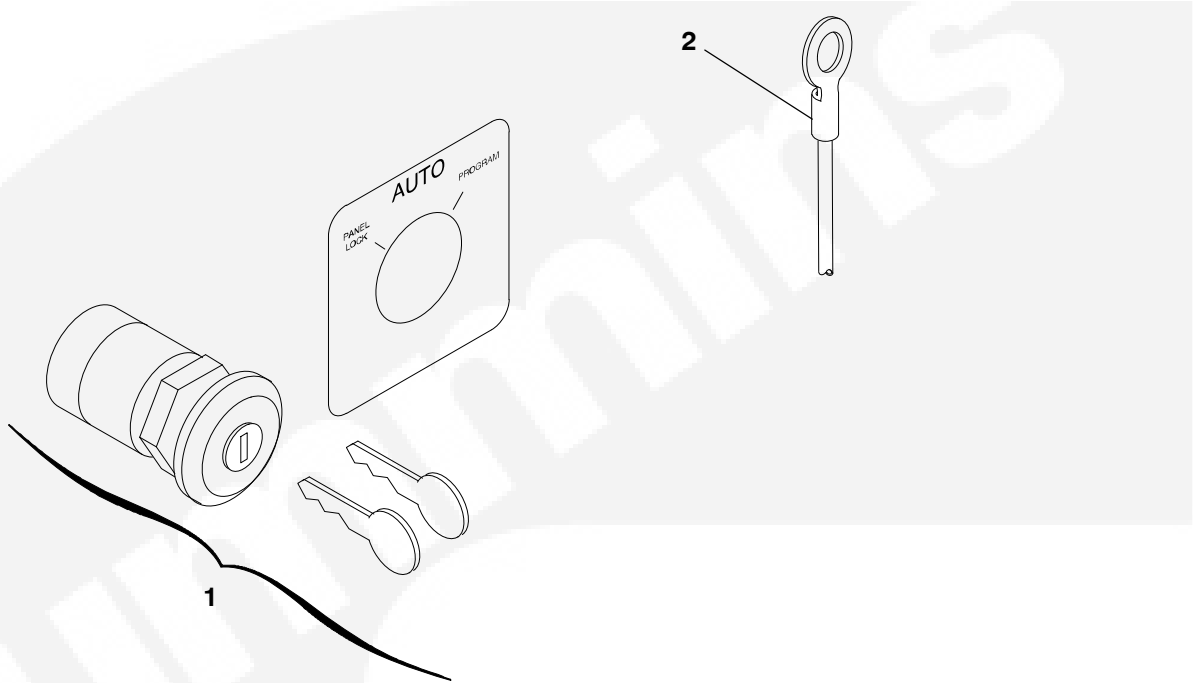
Load Shed



M007,R027

REF NO.	PART NO.	QTY USED	PART DESCRIPTION	REF NO.	PART NO.	QTY USED	PART DESCRIPTION
1	338-3876-01	1	Harness, Load Shed	6	815-0959-03	4	Screw, Pan Head (M3 x 8)
	338-3876-02	1	All Except 600 Volt	7	319-3943	1	Plate, Mounting
			600 Volt	8	870-0212	4	Nut, Self-Locking (1/4-20)
2	307-2929	1	Relay - 3PDT (12 VDC)	9	800-0005	4	Screw, Cap - Hex Head (1/4-20 x .75)
3	332-2420	2	Mount, Cable Tie				
4	815-0792-02	1	Screw, Pan Head (M4 x 8)				
5	300-5152	1	Board, Printed Circuit - Relay Module				

Front Panel Security



M017

REF NO.	PART NO.	QTY USED	PART DESCRIPTION	REF NO.	PART NO.	QTY USED	PART DESCRIPTION
1	308-1094	1	Switch, Selector	2			Lead
					226-4794-01	1	14" (Marked S20-2 - J27-5)
					226-4794-02	1	16" (Marked S20-2 - J27-11)



Numerical Index

<u>Part No.</u>	<u>Page</u>	<u>Part No.</u>	<u>Page</u>	<u>Part No.</u>	<u>Page</u>	<u>Part No.</u>	<u>Page</u>
226-3380,	11	306-0384,	13	306-4408-09,	9	306-4411-04,	9
226-3554-01,	17 , 19 , 21	306-0509,	11	306-4408-10,	9	306-4411-05,	9
226-3554-02,	17 , 19 , 21 , 29 , 31	306-0510,	11	306-4408-11,	9	306-4411-06,	9
226-4794-01,	38	306-1341,	14	306-4408-12,	9	306-4411-08,	9
226-4794-02,	38	306-1342,	14	306-4408-13,	9	306-4411-09,	9
226-4794-03,	34	306-1372,	11 , 14	306-4408-14,	9	306-4411-10,	9
226-4794-04,	34	306-2340,	11	306-4408-15,	9	306-4411-11,	9
300-2946,	27	306-3030,	13	306-4408-16,	9	306-4411-12,	9
300-3160,	29	306-3107,	11	306-4408-17,	9	306-4411-14,	9
300-3244,	31	306-3109,	11	306-4408-18,	9	306-4411-15,	9
300-5146,	17 , 19 , 21	306-3110,	11	306-4409-02,	9	306-4411-16,	9
300-5147-01,	17 , 19 , 21	306-3111,	11	306-4409-03,	9	306-4411-17,	9
300-5148-01,	17 , 19 , 21	306-3112,	11	306-4409-04,	9	306-4411-18,	9
300-5148-02,	17 , 19 , 21	306-3114,	11	306-4409-05,	9	306-4523,	17 , 19 , 21
300-5148-03,	17 , 19 , 21	306-3115,	11	306-4409-06,	9	307-2873,	25 , 36
300-5148-04,	17 , 19 , 21	306-3391,	15	306-4409-08,	9	307-2874,	36
300-5149-05,	17 , 19 , 21	306-3400-02,	11	306-4409-09,	9	307-2929,	22 , 23 , 37
300-5149-06,	17 , 19 , 21	306-3414-01,	13	306-4409-10,	9	307-2931,	23
300-5149-07,	17 , 19 , 21	306-3414-02,	11	306-4409-11,	9	308-0406,	22 , 23
300-5149-08,	17 , 19 , 21	306-3414-03,	13	306-4409-12,	9	308-1094,	38
300-5151,	17 , 19 , 21	306-3414-04,	11	306-4409-14,	9	309-0393,	15
300-5152,	37	306-3415,	11	306-4409-15,	9	312-0204,	11
300-5180,	17 , 19 , 21	306-3416,	11	306-4409-16,	9	312-0206,	11
300-5185,	17	306-3417,	11 , 15	306-4409-17,	9	312-0218,	11
300-5186,	17	306-3418,	11	306-4409-18,	9	312-0236,	11
300-5254,	34	306-3420,	15	306-4410-01,	9	312-0239,	11
300-5271,	17	306-3423,	13	306-4410-02,	9	315-0621-01,	27
300-5391,	19 , 21	306-3424,	11	306-4410-03,	9	315-0621-02,	27
300-5392,	19 , 21	306-3467,	17 , 19	306-4410-04,	9	315-0621-03,	27
300-5393,	19 , 21	306-3468-02,	17	306-4410-05,	9	315-0621-04,	27
301-6727,	21	306-3505,	13	306-4410-06,	9	315-0661,	17 , 19 , 21
301-9990,	27	306-3525,	19	306-4410-07,	9	315-0700,	29
301-9991,	27	306-3526-03,	19	306-4410-08,	9	315-0701,	31
302-0807,	27	306-3892,	13	306-4410-09,	9	315-0702,	29
302-1394,	34	306-3893,	11	306-4410-10,	9	315-0703,	31
302-1395,	34	306-3899,	13	306-4410-11,	9	315-0704,	29
302-1809,	34	306-4270,	11	306-4410-12,	9	315-0705,	31
302-1844,	29 , 31	306-4408-01,	9	306-4410-13,	9	315-0706,	29
304-0015,	27	306-4408-02,	9	306-4410-14,	9	315-0707,	31
304-0037,	27	306-4408-03,	9	306-4410-15,	9	315-0708,	29
304-0139,	27	306-4408-04,	9	306-4410-16,	9	315-0709,	31
305-0653,	29 , 31	306-4408-05,	9	306-4410-17,	9	315-0710,	29
305-0781,	29 , 31	306-4408-06,	9	306-4410-18,	9	315-0711,	31
306-0382,	13	306-4408-07,	9	306-4411-02,	9	315-0712,	29
		306-4408-08,	9	306-4411-03,	9	315-0713,	31

Numerical Index

<u>Part No.</u>	<u>Page</u>	<u>Part No.</u>	<u>Page</u>	<u>Part No.</u>	<u>Page</u>	<u>Part No.</u>	<u>Page</u>
319-0072, 29 , 31		323-1806-05, 34		338-3886, 33		815-0652, 11	
319-0073, 29 , 31		327-1542, 33		364-0003, 29 , 31		815-0653, 13	
319-3884-02, 17		332-2420, 25 , 26 , 34 , 37		406-0519, 21		815-0656, 13	
319-3885-02, 17		332-2512, 11 , 32		406-0613, 19		815-0686, 15	
319-3887-03, 19		332-2542, 11		406-0649, 19		815-0792-02, 22 , 23 , 37	
319-3887-04, 19		332-2605, 11		406-0809, 17		815-0845, 27 , 29 , 31	
319-3888-02, 19		332-2660, 13 , 32		406-0810, 17		815-0932, 14	
319-3890-02, 21		332-2704, 13 , 32		406-0934, 17		815-0933, 14	
319-3891-02, 21		332-2832, 11		416-1049, 33		815-0955-03, 22 , 23 , 25 , 26 , 33 , 36	
319-3940-02, 22 , 23		332-2834, 32		508-0233, 19 , 21		815-0958-04, 23	
319-3941-02, 22 , 23		332-2836-01, 33		508-1045, 17		815-0959-03, 17 , 19 , 21 , 33 , 34 , 37	
319-3942-02, 22 , 23		332-2836-02, 26 , 35		508-1114, 17		815-0960-04, 22 , 23	
319-3943, 25 , 26 , 34 , 37		332-2837-09, 26 , 33 , 35		517-0135, 17		821-0040, 27 , 29 , 31	
319-4011-02, 24		332-2839, 26 , 33 , 35		517-0137, 17		822-0085, 13 , 32	
320-0608, 11		332-2841, 26 , 33 , 35		517-0266, 19 , 21 , 24		822-0089, 13 , 32	
320-0609, 11		332-2878, 25 , 36		526-0008, 11		822-0091, 13 , 32	
320-0611, 11		332-2879-02, 36		526-0018, 11		850-0030, 13	
320-0613, 11		332-2879-04, 25		526-0022, 21		850-0039, 11 , 32	
321-0104, 29 , 31		332-2903, 11		526-0030, 13		850-0040, 11	
321-0127, 29 , 31		332-3606, 25 , 34		526-2081, 11		850-0050, 13	
321-0153, 27		332-3653, 17 , 19 , 21		800-0002, 11		851-0022, 13 , 32	
321-0175, 27		337-1940, 13		800-0003, 11 , 17		851-0027, 11	
321-0237, 29 , 31		337-1941, 11		800-0005, 13 , 25 , 26 , 34 , 37		851-0028, 11	
321-0303-02, 29 , 31		337-2352, 32		800-0007, 13		853-0018, 11	
321-0304-01, 29		337-2399, 13		800-0008, 11		853-2005, 17	
321-0304-02, 29		337-2400, 13		800-0028, 11		862-0001, 11	
321-0304-03, 29 , 31		338-2149, 27		800-0048, 13		862-0003, 13	
321-0304-04, 29 , 31		338-2219, 24		800-0049, 32		862-0026-53, 27 , 29 , 31	
321-0304-05, 29 , 31		338-2220, 24		800-0050, 13		870-0131, 11 , 19 , 21 , 27	
321-0304-06, 31		338-2223, 29 , 31		800-2000, 17		870-0201, 15	
323-1199, 24 , 25 , 27		338-2350, 26		809-0035, 29 , 31		870-0212, 17 , 19 , 21 , 25 , 26 , 34 , 37	
323-1200, 24 , 25 , 27 , 29 , 31		338-3792, 11		812-0177, 21		870-0221, 29 , 31	
323-1252, 24		338-3836, 25		813-0112, 27		870-0235, 14	
323-1253, 24		338-3854, 17 , 19 , 21		813-0116, 27		870-0263, 29 , 31	
323-1291, 27		338-3855-01, 17 , 19 , 21		813-0142, 13		870-0281, 13 , 17 , 19 , 21	
323-1302, 26 , 29 , 31		338-3855-02, 17 , 19 , 21		815-0029, 11		870-0298, 14	
323-1314, 24		338-3856-02, 17 , 19 , 21		815-0157, 13		870-2213-02, 33	
323-1315, 24		338-3857-02, 17 , 19 , 21		815-0285, 32		870-2216, 17 , 19 , 21	
323-1318, 27 , 29 , 31		338-3857-04, 17 , 19 , 21		815-0485, 11		895-0293-07, 19 , 21	
323-1374-05, 29 , 31		338-3876-01, 37		815-0539, 29 , 31		895-0293-08, 19 , 21	
323-1374-10, 26		338-3876-02, 37		815-0651, 11			
323-1703, 25		338-3884-01, 34					

Cummins Power Generation

1400 73rd Ave. NE
Minneapolis, MN 55432 USA

Phone 1 763 574 5000

Toll-free 1 800 888 6626

Fax 1 763 574 5298

Email ask.powergen@cummins.com

www.cumminspower.com

Cummins®, the "C" logo, and "Our energy working for you." are trademarks of Cummins Inc.

©2013 Cummins Power Generation, Inc. All rights reserved.

