

Onan

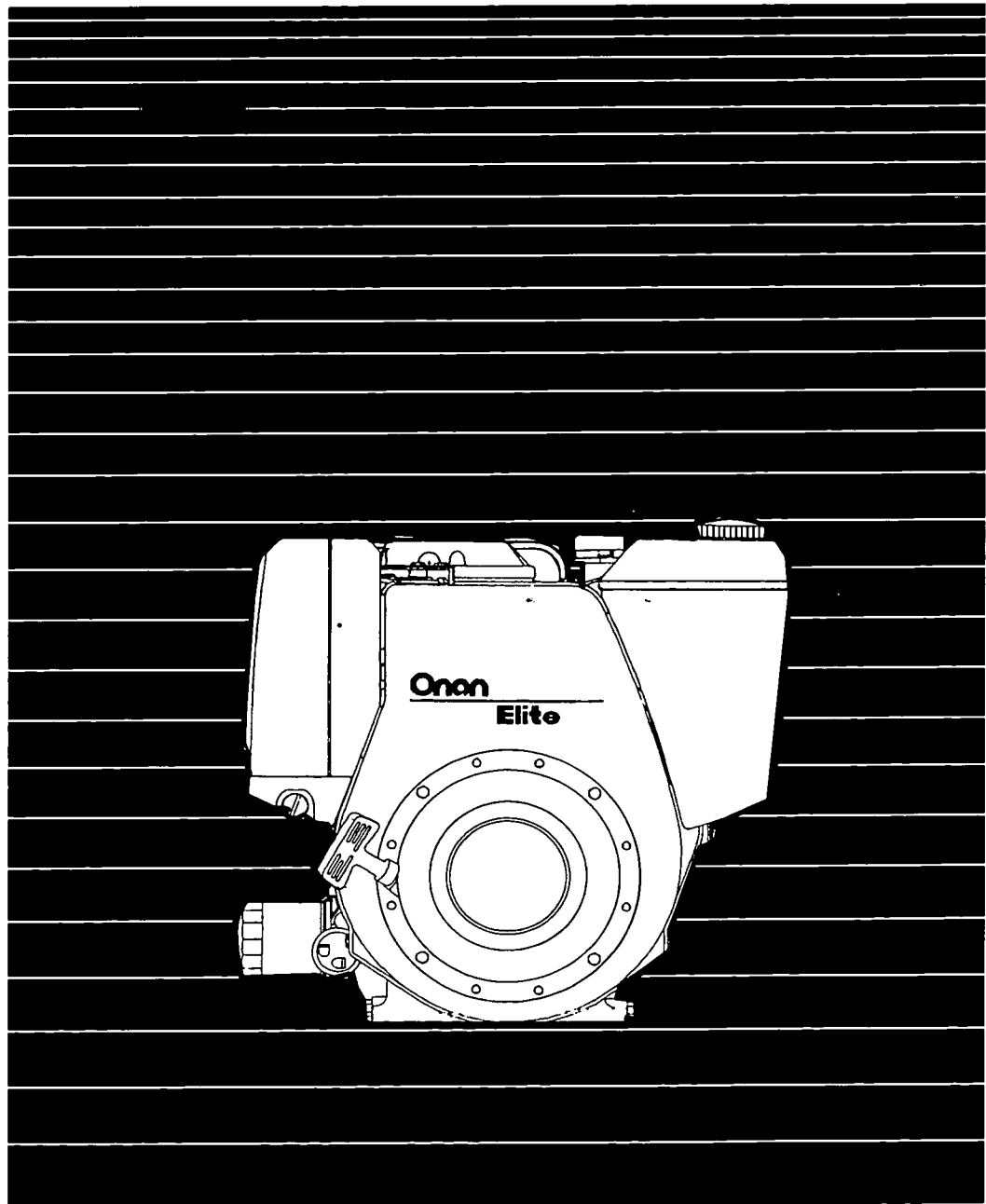
Engine

Parts Manual

E140H

Elite Series

Cub Cadet



Printed in U.S.A

965-0201
9-95 (Spec A-C)
Replaces 3-94 (Spec A)

Introduction

This parts manual applies to the Elite horizontal shaft engine as listed in the Engine Data Table. Parts are arranged in groups of related items and each illustrated part is identified by a reference number corresponding to the same reference number in the parts list. Parts illustrations are typical. Throughout this manual, left and right sides are determined by facing the blower housing (front) side of the engine.

Engine Data Table

| <u>Model and Specification Number</u> | <u>Rating</u> |
|--|----------------------|
| E140H-N/11187 | 14 Horsepower |
| E140H-N/11317 | 14 Horsepower |

Note – The diagonal line (/) in the model and specification number separates engine characteristics from the specification number and letter. The specification number denotes customer requested features. The specification letter advances (A to B, B to C, etc.) with major manufacturing changes.

Index

- Adapter, Filter – Oil, 11
- Arm Assy, Rocker, 10
- Armature, Starter, 16

- Ball, Steel, 11
- Bearing, Camshaft, 4
- Bearing, Crankshaft (Block End), 4
- Bearing, Crankshaft (Gearcase End), 11
- Bearing, Oilless – Starter, 16
- Bearing, Shaft – Balancer, 4
- Bearing, Starter – Oilless, 16
- Block, Cylinder, 4
- Body, Connector, 17
- Bracket, Lever – Throttle, 12
- Bracket, Lift, 18
- Bracket, Stop – Throttle, 12
- Breather, 10

- Camgear, 6
- Camshaft, 6
- Carburetor, 14
- Circlip, 12
- Clamp, Cable, 12
- Clamp, Hose, 15
- Clip, Link – Governor Lever, 12
- Clip, Retainer, 10
- Clutch, Starter, 16
- Coil, Ignition, 4
- Connector, Harness – Wiring, 17
- Connector, Tube – Breather, 10
- Cover, Cleaner – Air, 14
- Cover, Filter – Air, 14
- Cover, Pump – Oil, 11
- Cover, Valve, 10
- Crankshaft, 5

- Duct, Inlet – Air, 14

- Elbow, Hose, 11
- Elbow, Intake, 14

- Fastener, Cover – Air Cleaner, 14
- Fastener, Receptacle, 14
- Filter, Air, 14
- Filter, Fuel, 15
- Filter, Oil, 11
- Frame, Commutator, 16
- Frame, Starter, 16

- Gasket, Cleaner – Air, 14
- Gasket, Cover – Valve, 10
- Gasket, Gearcase, 11
- Gasket, Head – Cylinder, 10
- Gasket, Insulator, 14
- Gasket, Intake, 14
- Gear, Balancer, 5
- Gear, Crankshaft, 5
- Gear, Governor, 11
- Gear, Ring, 8

- Gearcase, 11
- Governor, 12
- Grommet, Tube – Breather, 14
- Guide, Valve, 10
- Harness, Wiring – Engine, 17
- Head Assy, Cylinder, 10
- Head, Cylinder, 10
- Holder, Brush, 16
- Hose, Drain, 16
- Hose, Fuel, 15
- Housing, Blower, 17
- Housing, Cylinder – Air, 18
- Housing, Receptacle, 17
- Housing, Starter, 16

- Indicator, Level – Oil, 18
- Insulator, Carburetor, 14
- Insulator, Starter, 16

- Jet, Altitude, 14

- Key, Gear – Crankshaft, 5
- Key, Wheel – Blower, 8
- Kit, Repair – Carburetor, 14

- Label, Ident – Model, 18
- Lever, Choke, 12
- Lever, Control, 12
- Lever, Drive – Starter, 16
- Lever, Governor, 12
- Link, Throttle, 12
- Lock, Valve, 10

- O–Ring, Fill – Oil, 18
- O–Ring, Pump – Oil, 11

- Pan Assy, Cleaner – Air, 14
- Pin, Alignment – Alternator, 8
- Pin, Alignment – Cylinder Block, 4
- Pin, Decompression, 6
- Pin, Dowel, 10
- Pin, Dowel – Hollow, 4
- Pin, Piston, 7
- Piston, 7
- Pivot, 12
- Plug, Drain – Oil, 4
- Plug, Expansion – Crankshaft, 5
- Plug, Spark, 10
- Pump, Fuel, 15
- Pump, Oil, 11

- Regulator, Voltage, 17
- Retainer, Gear – Governor, 11
- Retainer, Latch – Air Cleaner, 14
- Retainer, Valve Spring – Exhaust, 10
- Retainer, Valve Spring – Intake, 10
- Ring Set, Piston, 7
- Ring, Guide – Valve, 10
- Ring, Retaining – Gearcase, 11

Index

Ring, Retaining – Piston, 7
Ring, Snap, 16
Rod, Connecting, 7
Rod, Push, 10

Screen, Chaff – Blower Wheel, 8
Screen, Pickup – Oil, 11
Seal, Lever – Governor Shaft, 12
Seal, Oil – Crankshaft, 4, 11
Seal, Spacer – Air Cleaner, 14
Seal, Stem – Valve, 10
Shaft, Arm – Rocker, 10
Shaft, Balancer, 5
Shaft, Governor, 11
Shaft, Lever – Governor, 12
Shield, Valve – Exhaust, 10
Shim, Camshaft, 6
Shim, Crankshaft, 5
Shim, Shaft – Balancer, 5
Sleeve, Governor, 11
Spacer, 5
Spacer, Coil – Ignition, 4

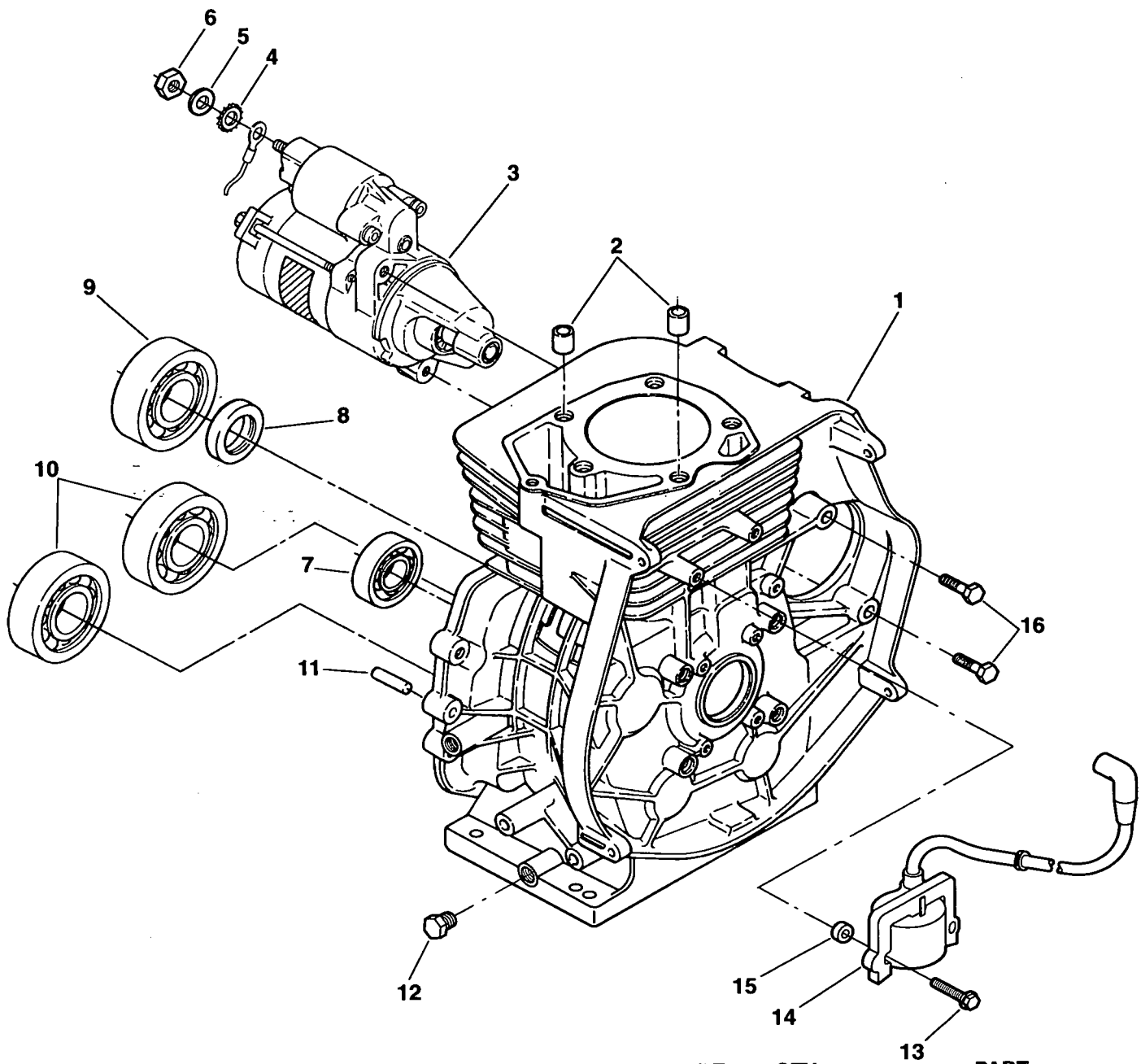
Spring, Brush, 16
Spring, Decompression, 6
Spring, Governor, 12
Spring, Latch – Air Cleaner, 14
Spring, Valve, 10
Spring, Valve – Relief, 11
Starter, 4
Starter Components, 16
Stator, 8
Support, Carburetor, 14
Switch, Magnetic, 16
Switch, Pressure – Oil, 11

Tappet, 10
Tube, Breather, 14
Tube, Fill – Oil, 18
Tube, Pickup – Oil, 11

Valves, 10

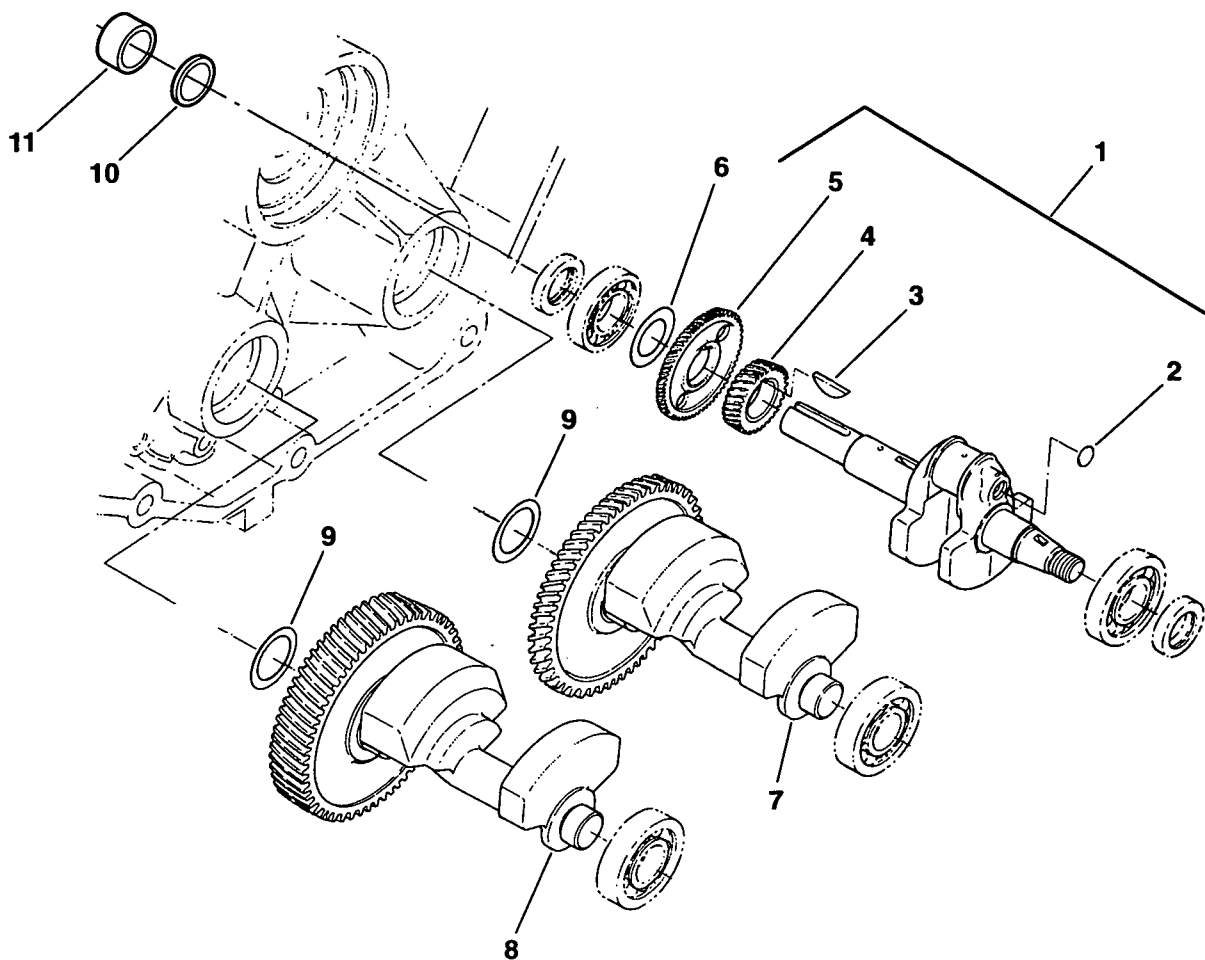
Wheel, Blower, 8
Wrapper, Element, 14

Cylinder Block



| REF NO. | PART NO. | QTY USED | PART DESCRIPTION | REF NO. | PART NO. | QTY USED | PART DESCRIPTION |
|---------|----------|----------|---|---------|-------------|----------|--|
| 1 | - | 1 | Block, Cylinder (See Short Block Catalog #932-0109) | 10 | 510-0163 | 2 | Bearing, Shaft - Balancer |
| 2 | 110-3615 | 2 | Pin, Dowel - Hollow | 11 | 775-0074 | 2 | Pin, Alignment |
| 3 | 191-2107 | 1 | Starter (See Separate Page for Components) | 12 | 502-0153 | 2 | Plug, Drain - Oil |
| 4 | 853-0016 | 1 | Washer, Lock - ET (5/16") | 13 | 823-0003-07 | 2 | Screw, Pan Head (M6 x 1 x 30mm) |
| 5 | 526-0115 | 1 | Washer, Flat (5/16") | 14 | 166-0832 | 1 | Coil, Ignition |
| 6 | 750-1006 | 1 | Nut, Hex (M8 x 1.25) | 15 | 166-0837 | 2 | Spacer, Coil - Ignition (M6 x 30mm) |
| 7 | 510-0162 | 1 | Bearing, Camshaft | 16 | 718-1040 | 2 | Screw, Cap - Hex Head (M8 x 1.25 x 40mm) |
| 8 | 509-0258 | 1 | Seal, Oil - Crankshaft | | | | |
| 9 | 510-0160 | 1 | Bearing, Crankshaft | | | | |

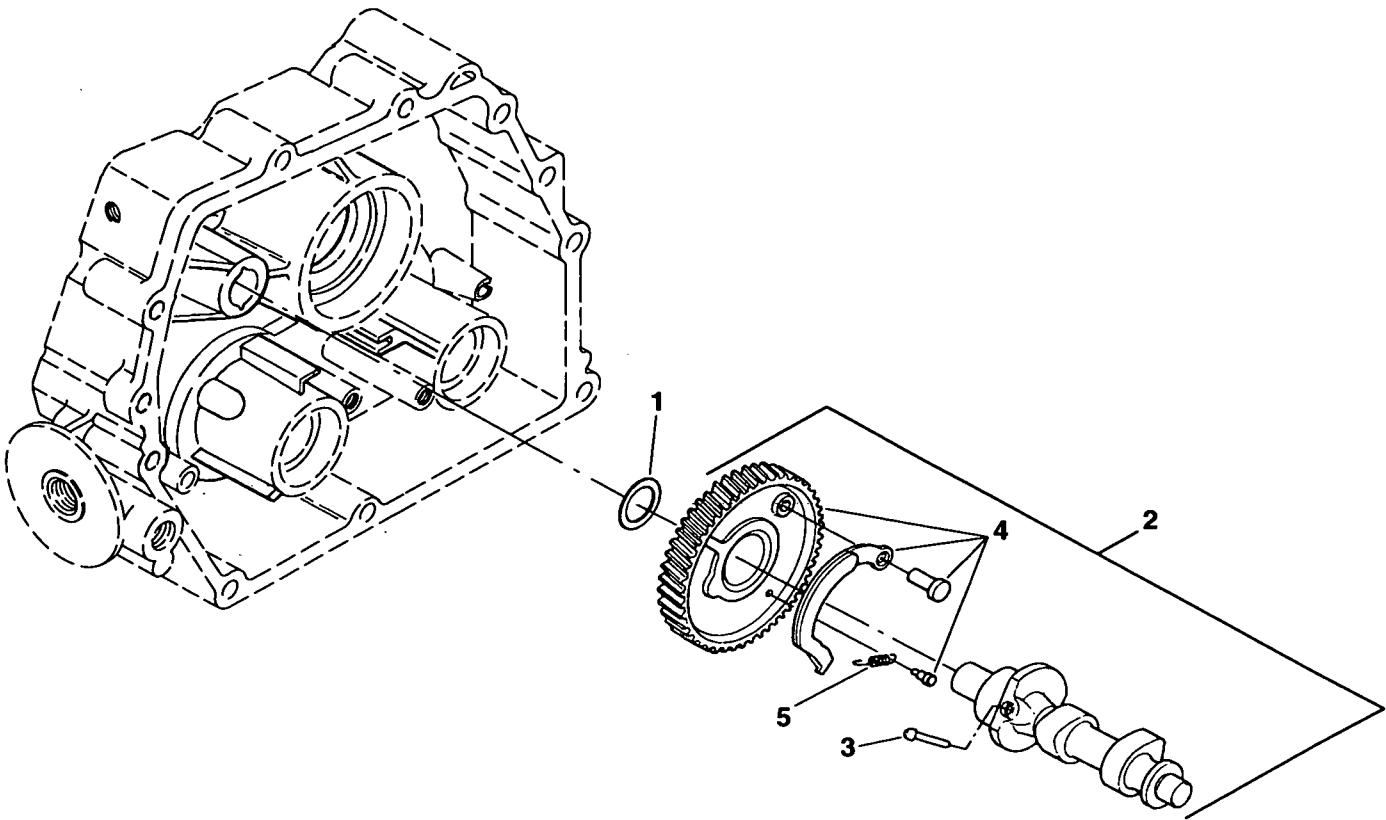
Crankshaft



| REF NO. | PART NO. | QTY USED | PART DESCRIPTION | REF NO. | PART NO. | QTY USED | PART DESCRIPTION |
|---------|-------------|----------|---|---------|-------------|----------|--|
| 1 | | | Crankshaft Assy (Includes Parts Marked *) | 8 | 104-1816-03 | 1 | Shaft Assy, Balancer (Includes Gear) |
| | 104-1832-04 | 1 | Spec 11187 | 9 | | | Shim, Shaft - Balancer (Use as Required) |
| | 104-1832-07 | 1 | Spec 11317 | | 104-1809-01 | 1 | 0.5mm Thick |
| 2 | 104-1718 | 1 | *Plug, Expansion | | 104-1809-02 | 1 | 0.6mm Thick |
| 3 | 515-0293 | 1 | *Key, Gear - Crankshaft | | 104-1809-03 | 1 | 0.7mm Thick |
| 4 | 104-1856 | 1 | *Gear, Crankshaft | | 104-1809-04 | 1 | 0.8mm Thick |
| 5 | 104-1855 | 1 | *Gear, Balancer | | 104-1809-05 | 1 | 0.9mm Thick |
| 6 | | | Shim, Crankshaft (Use as Required) | | 104-1809-06 | 1 | 1.0mm Thick |
| | 104-1721-01 | 1 | 0.2mm Thick | | 104-1809-07 | 1 | 1.2mm Thick |
| | 104-1721-02 | 1 | 0.3mm Thick | 10 | 526-0421 | 1 | Washer, Spacer (Spec 11187) |
| | 104-1721-03 | 1 | 0.4mm Thick | 11 | 104-1903 | 1 | Spacer (Spec 11187) |
| | 104-1721-05 | 1 | 0.5mm Thick | | | | |
| | 104-1721-07 | 1 | 0.7mm Thick | | | | |
| | 104-1721-08 | 1 | 0.8mm Thick | | | | |
| 7 | 104-1816-04 | 1 | Shaft Assy, Balancer (Includes Gear) | | | | |

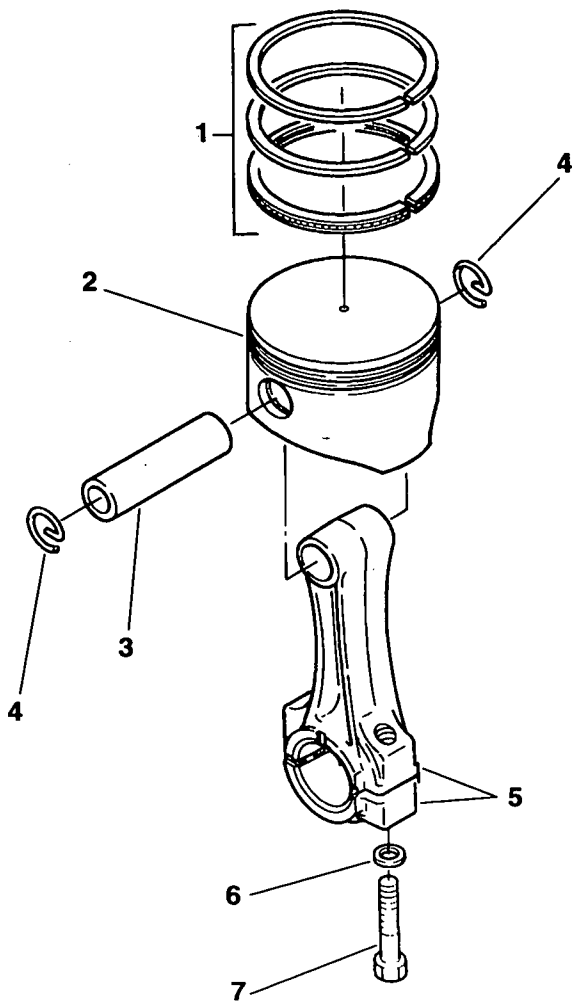
* - Parts Included in Crankshaft Assy.

Camshaft



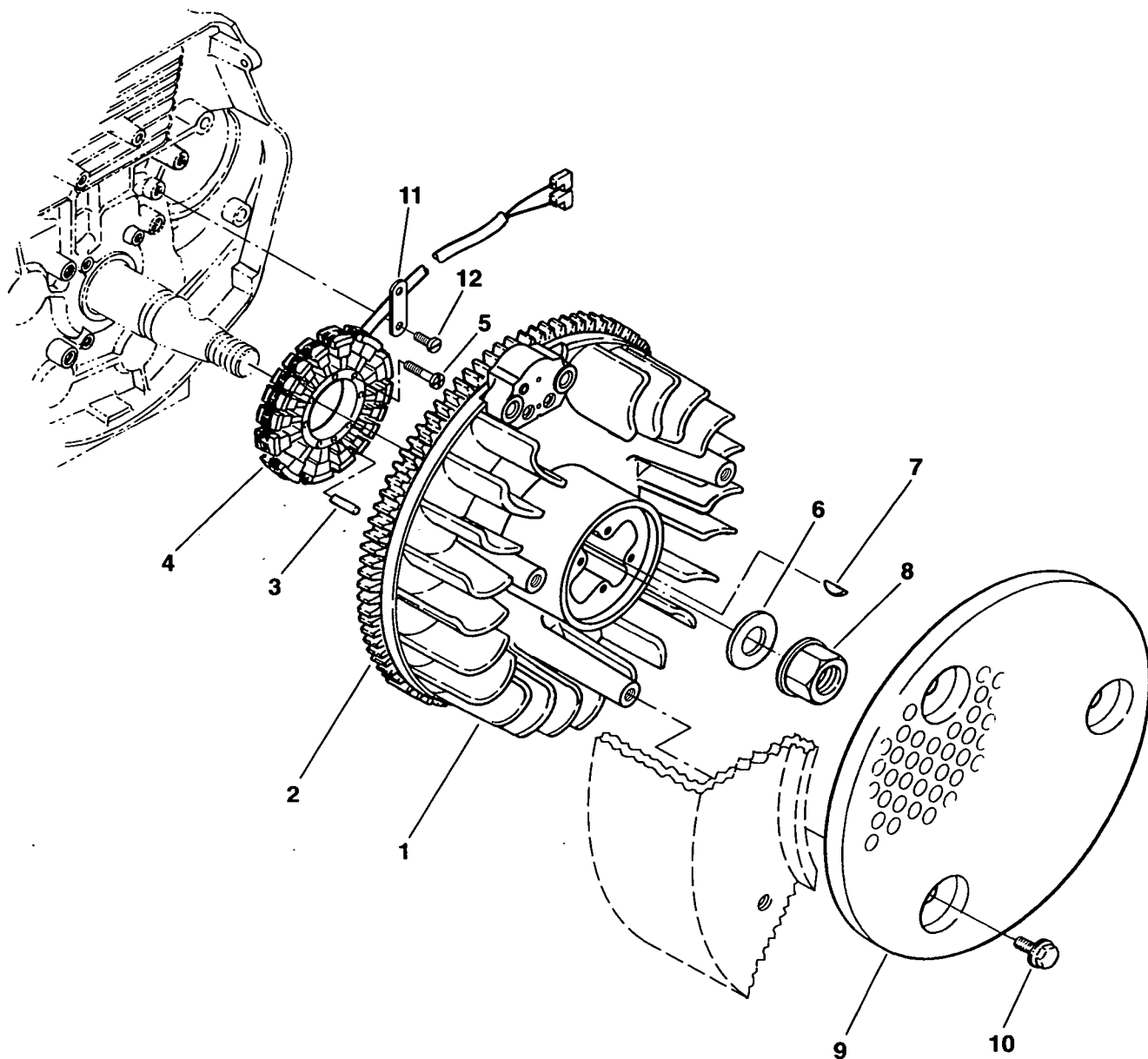
| sREF NO. | PART NO. | QTY USED | PART DESCRIPTION | REF NO. | PART NO. | QTY USED | PART DESCRIPTION |
|----------|-------------|----------|----------------------------------|---------|----------|----------|---|
| 1 | | | Shim, Camshaft (Use as Required) | 2 | 105-0719 | 1 | Camshaft Assy (Includes Pin, Camgear Assy and Spring) |
| | 105-0649-01 | 1 | 0.5mm Thick | 3 | 150-2304 | 1 | Pin, Decompression |
| | 105-0649-02 | 1 | 0.6mm Thick | 4 | 105-0716 | 1 | Camgear Assy (Includes Gear, Flyweight Shaft, Flyweight, and Pin) |
| | 105-0649-03 | 1 | 0.8mm Thick | | | | |
| | 105-0649-04 | 1 | 0.9mm Thick | 5 | 150-2303 | 1 | Spring, Decompression |
| | 105-0649-05 | 1 | 1.0mm Thick | | | | |
| | 105-0649-06 | 1 | 1.2mm Thick | | | | |

Piston



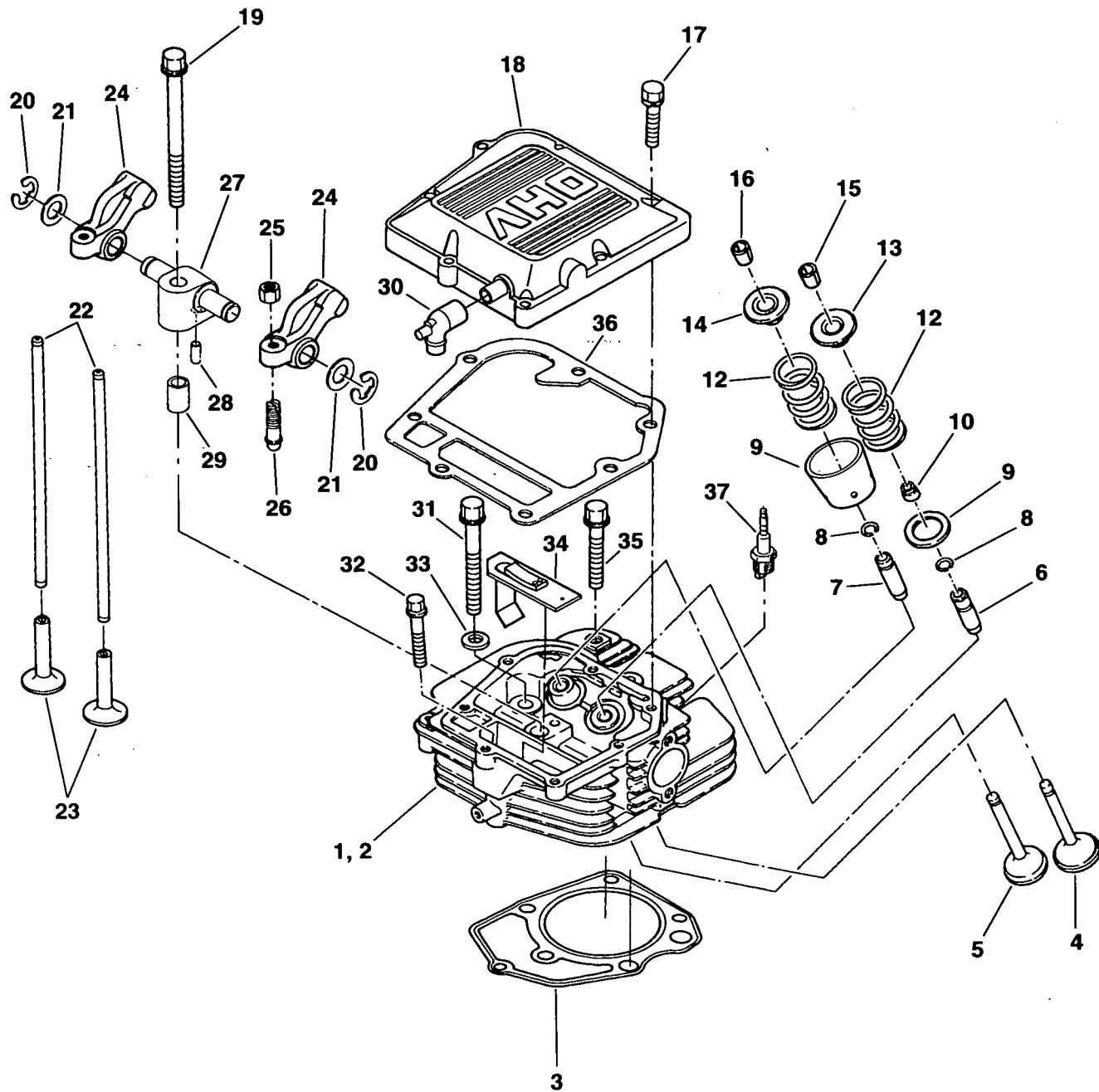
| REF NO. | PART NO. | QTY USED | PART DESCRIPTION | REF NO. | PART NO. | QTY USED | PART DESCRIPTION |
|---------|-------------|----------|--|---------|-------------|----------|----------------------------------|
| 1 | | | Ring Set, Piston | 3 | 112-0244 | 1 | Pin, Piston |
| | 113-0330 | 1 | Standard | 4 | 112-0245 | 2 | Ring, Retaining |
| | 113-0330-01 | 1 | .25mm Oversize | 5 | | | Rod, Connecting (Includes Bolts) |
| | 113-0330-02 | 1 | .50mm Oversize | | 114-0357 | 1 | Standard |
| 2 | | | Piston (Includes Pin, Ring Set and Retaining Rings) | | 114-0357-01 | 1 | .25mm Undersize |
| | 112-0276 | 1 | Standard | | 114-0357-02 | 1 | .50mm Undersize |
| | 112-0276-01 | 1 | .25mm Oversize | 6 | 114-0356 | 2 | Washer, Rod - Connecting |
| | 112-0276-02 | 1 | .50mm Oversize | 7 | 114-0355 | 2 | Bolt, Rod - Connecting |

Blower Wheel



| REF NO. | PART NO. | QTY USED | PART DESCRIPTION | REF NO. | PART NO. | QTY USED | PART DESCRIPTION |
|---------|-------------|----------|--|---------|-------------|----------|--|
| 1 | 134-5005-02 | 1 | Wheel Assy, Blower (Includes Magnets and Ring Gear) | 6 | 526-0405 | 1 | Washer, Flat (M18) |
| 2 | 134-4773 | 1 | Gear, Ring | 7 | 515-0295 | 1 | Key |
| 3 | 775-0061 | 2 | Pin, Alignment | 8 | 870-2060 | 1 | Nut, Flange (M18 x 1.5) |
| 4 | 191-1456-04 | 1 | Stator | 9 | 134-5006-02 | 1 | Screen, Chaff |
| 5 | 815-0638-01 | 2 | Screw, Machine - Button Head (M6 x 1 x 20mm) | 10 | 718-1017 | 3 | Screw, Cap - Hex Head (M6 x 1 x 10mm) |
| | | | | 11 | 191-1967 | 1 | Clamp, Cord |
| | | | | 12 | 823-0003-02 | 1 | Screw, Pan Head |

Cylinder Head

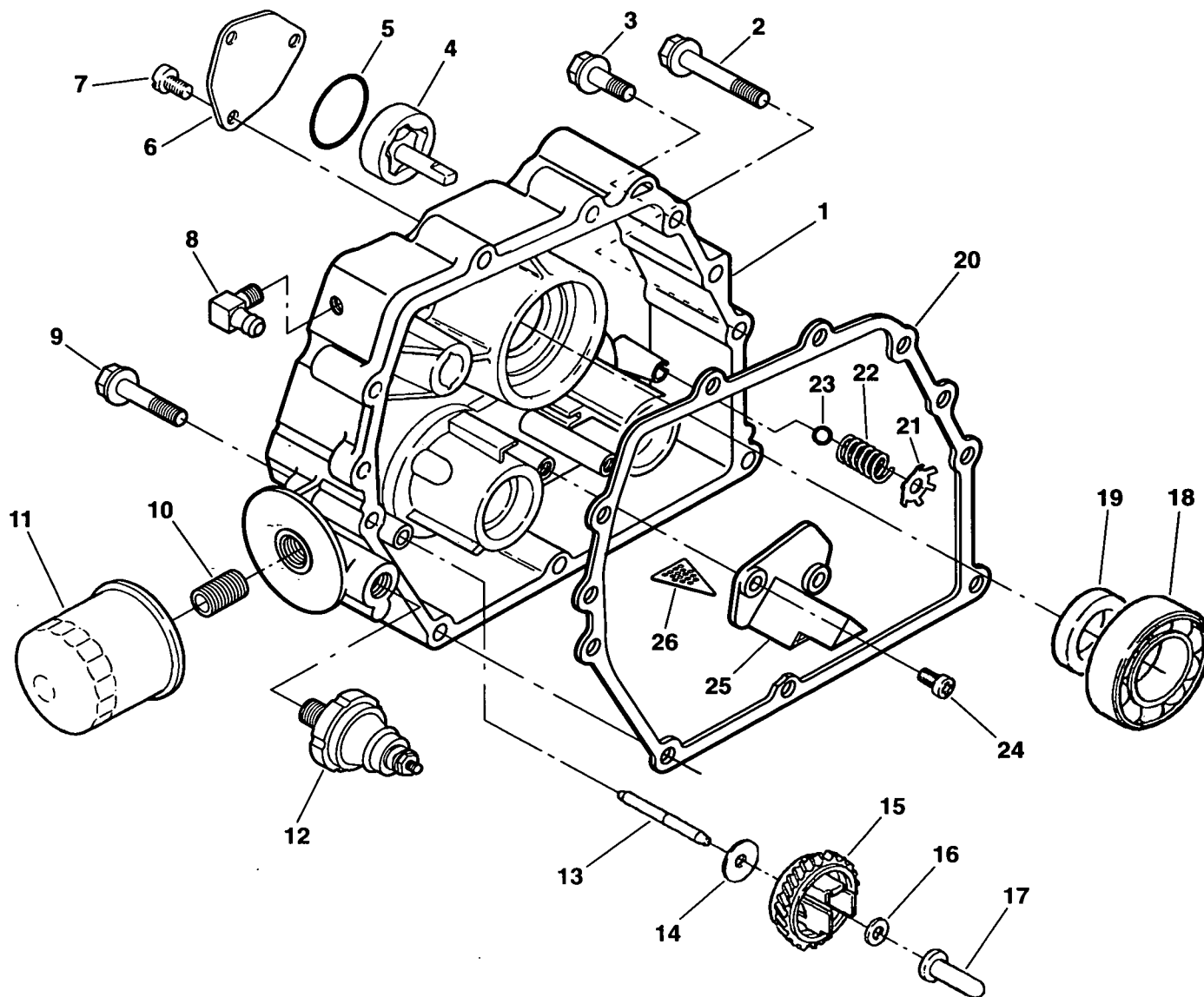


Cylinder Head

| REF NO. | PART NO. | QTY USED | PART DESCRIPTION | REF NO. | PART NO. | QTY USED | PART DESCRIPTION |
|---------|-------------|----------|--|---------|-------------|----------|--|
| 1 | 110-3828-01 | 1 | Head Assy, Cylinder (Includes Parts Marked #) | 21 | 115-0473 | 2 | Washer, Arm - Rocker |
| 2 | 110-3710 | 1 | #Head, Cylinder (Includes Valve Seats and Parts Marked +) | 22 | 115-0424 | 2 | Rod, Push |
| 3 | 110-3591 | 1 | Gasket, Head - Cylinder | 23 | 115-0423 | 2 | Tappet |
| 4 | 110-3578 | 1 | #Valve, Intake (Marked "IN") | 24 | 115-0426 | 2 | Arm Assy, Rocker (Includes Nuts and Screws) |
| 5 | 110-3579 | 1 | #Valve, Exhaust (Marked "EX") | 25 | 115-0428 | 2 | Nut, Adjusting - Lash (M7 x .75) |
| 6 | 110-3693 | 1 | +Guide, Valve - Intake | 26 | 115-0427 | 2 | Screw, Adjusting - Lash (M7 x .75 x 18mm) |
| 7 | 110-3694 | 1 | +Guide, Valve - Exhaust | 27 | 115-0429 | 1 | Shaft, Arm - Rocker |
| 8 | 110-3580 | 2 | +Ring, Guide - Valve | 28 | 516-2004 | 1 | Pin, Dowel |
| 9 | 110-3587 | 1 | #Washer, Spring - Valve | 29 | 110-3615 | 1 | Pin, Dowel - Hollow |
| 10 | 110-3586 | 1 | #Seal, Valve Stem - Intake | 30 | 123-2030 | 1 | Connector, Tube - Breather |
| 11 | 110-3898-01 | 1 | # Shield, Valve - Exhaust | 31 | 110-3594 | 2 | Bolt, Head - Cylinder (M10 x 1.5 x 86mm) |
| | 110-3587 | 1 | # Washer, Spring - Valve | 32 | 110-3596 | 1 | Bolt, Head - Cylinder (M8 x 1.25 x 50mm) |
| 12 | 110-3822 | 2 | #Spring, Valve - Intake | 33 | 740-1008 | 1 | Washer, Flat (M10) |
| 13 | 110-3825 | 1 | #Retainer, Valve Spring - Intake | 34 | 123-2014 | 1 | Breather |
| 14 | 110-3826 | 1 | #Retainer, Valve Spring - Exhaust | 35 | 110-3593 | 2 | Bolt, Head - Cylinder (M10 x 1.5 x 66mm) |
| 15 | 110-3827 | 2 | #Lock, Valve - Intake | 36 | 110-3830-01 | 1 | Gasket, Cover - Valve |
| 16 | 110-3584 | 2 | #Lock, Valve - Exhaust | 37 | 167-0275 | 1 | Plug, Spark |
| 17 | 800-3026 | 7 | Screw, Flange - Hex Head (M6 x 1 x 25mm) | | | | |
| 18 | 110-3863-04 | 1 | Cover, Valve | | | | |
| 19 | 110-3595 | 1 | Bolt, Head - Cylinder (M10 x 1.5 x 125mm) | | | | |
| 20 | 518-0566 | 2 | Clip, Retainer | | | | |

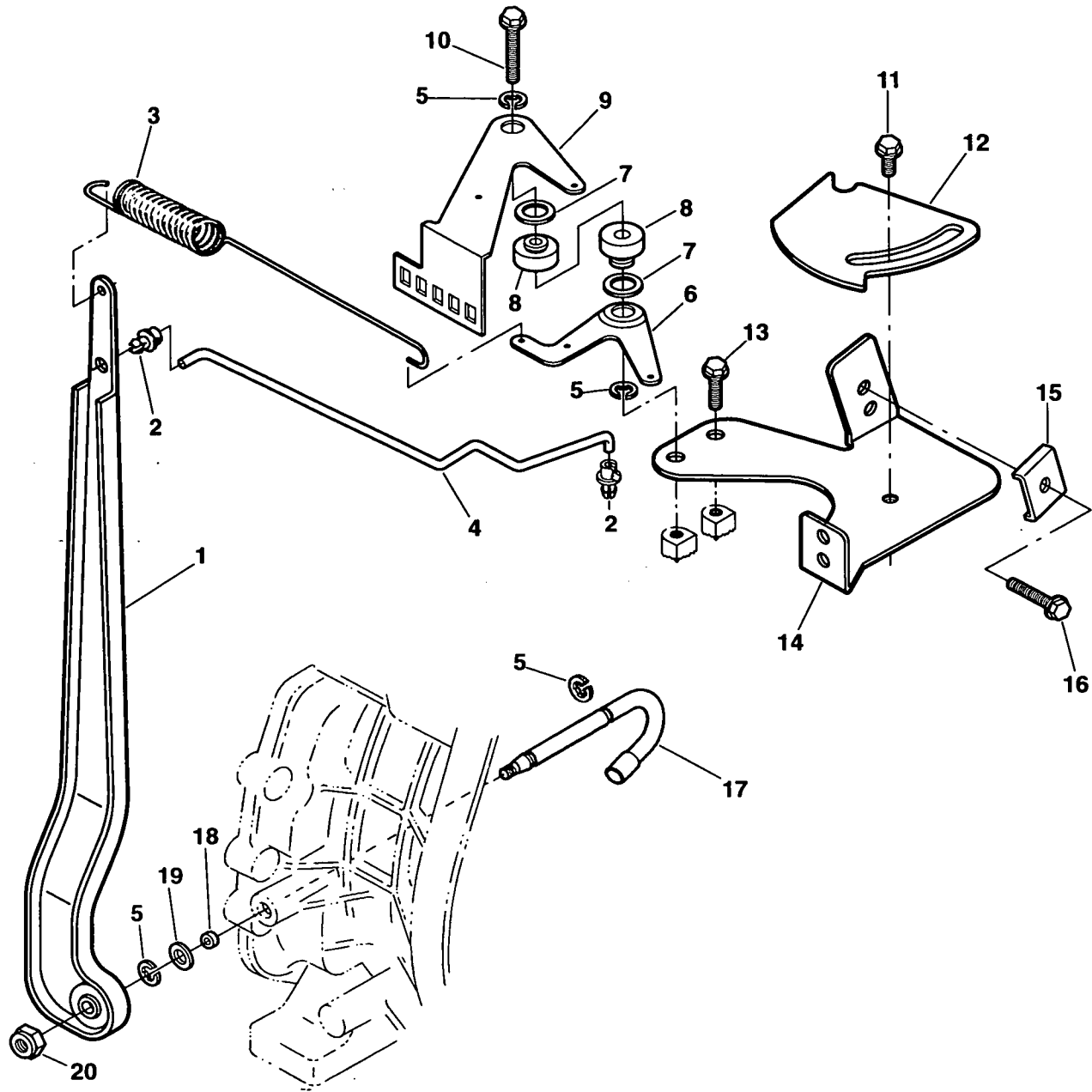
- Parts Included in Cylinder Head Assy.
+ - Parts Included in Cylinder Head.

Gearcase



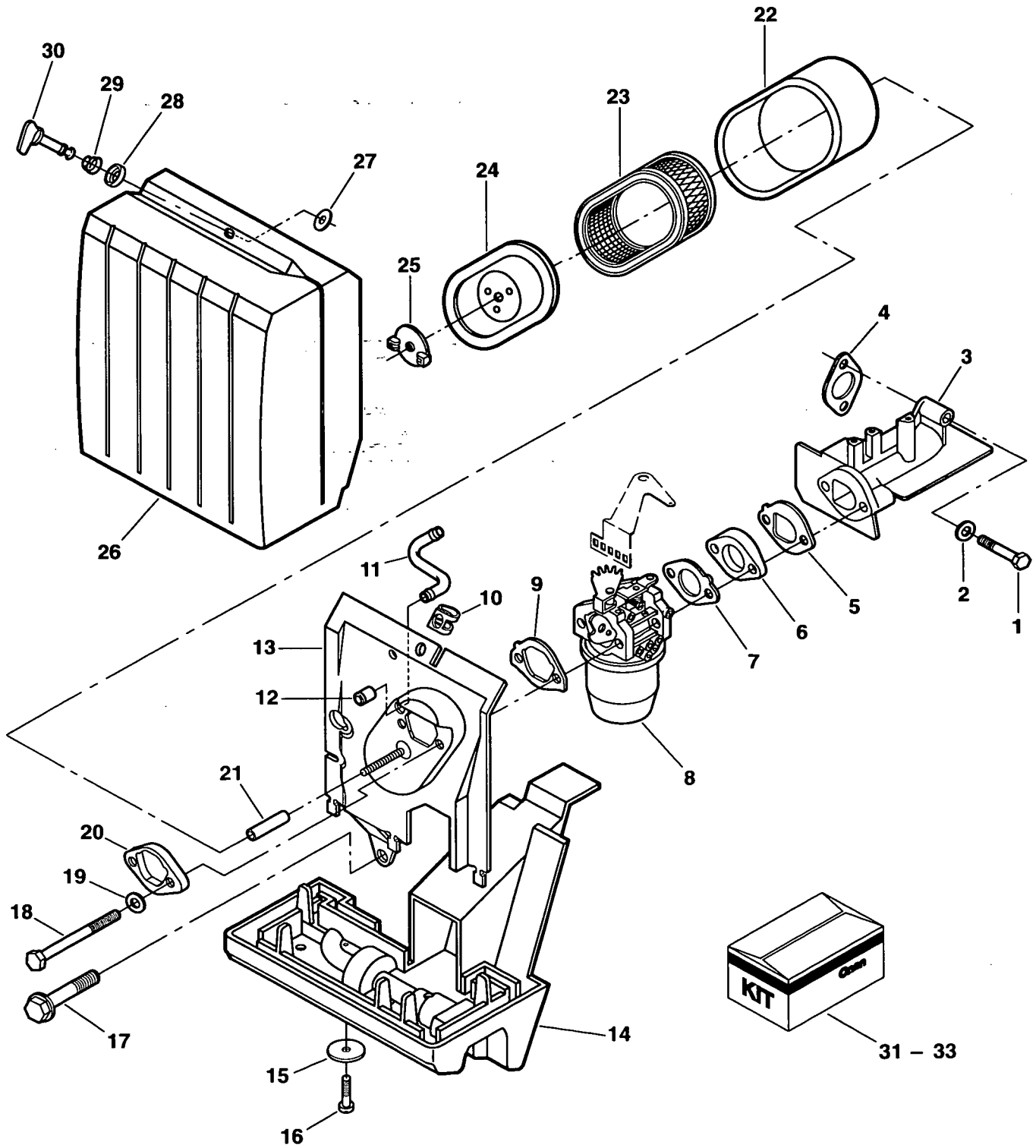
| REF NO. | PART NO. | QTY USED | PART DESCRIPTION | REF NO. | PART NO. | QTY USED | PART DESCRIPTION |
|---------|-------------|----------|---|---------|-------------|----------|--|
| 1 | 103-0817-11 | 1 | Gearcase | 12 | 309-0640 | 1 | Switch, Pressure - Oil (S1) |
| 2 | 815-0829-03 | 1 | Screw, Flanged - Hex Head Thread Forming (M8 x 1.25 x 70mm) | 13 | 775-0069 | 1 | Shaft, Governor |
| 3 | 815-0829-01 | 1 | Screw, Flanged - Hex Head Thread Forming (M8 x 1.25 x 35mm) | 14 | 526-2078 | 1 | Washer, Flat (Special) |
| 4 | 120-1313 | 1 | Pump, Oil | 15 | 150-2272 | 1 | Gear, Governor (Includes Shafts and Weights) |
| 5 | 509-0253 | 1 | O-Ring | 16 | 150-2547 | 1 | Retainer, Gear - Governor |
| 6 | 120-1299-02 | 1 | Cover, Pump - Oil (M6 x 1 x 14mm) | 17 | 150-2530 | 1 | Sleeve, Governor |
| 7 | 823-0003-05 | 3 | Screw, Torx Drive - Pan Head | 18 | 510-0160 | 1 | Bearing, Crankshaft |
| 8 | 502-0313 | 1 | Elbow, Hose - 90° | 19 | 509-0258 | 1 | Seal, Oil - Crankshaft |
| 9 | 815-0829-02 | 7 | Screw, Flanged - Hex Head Thread Forming (M8 x 1.25 x 50mm) | 20 | 110-3833 | 1 | Gasket, Gearcase |
| 10 | 122-0475 | 1 | Adapter, Filter - Oil | 21 | 518-0560 | 1 | Ring, Retaining |
| 11 | 122-0737-02 | 1 | Filter, Oil | 22 | 120-0140 | 1 | Spring, Valve - Relief |
| | | | | 23 | 510-0043 | 1 | Ball, Steel (5/16" OD) |
| | | | | 24 | 823-0003-02 | 2 | Screw, Pan Head - Torx Drive (M6 x 1 x 14mm) |
| | | | | 25 | 120-1295 | 1 | Tube, Pickup - Oil |
| | | | | 26 | 120-1298 | 1 | Screen, Pickup - Oil |

Governor



| REF NO. | PART NO. | QTY USED | PART DESCRIPTION | REF NO. | PART NO. | QTY USED | PART DESCRIPTION |
|---------|-------------|----------|--|---------|-------------|----------|---|
| 1 | 150-2534-02 | 1 | Lever, Governor | 12 | 152-0345-03 | 1 | Bracket, Stop – Throttle |
| 2 | 152-0343 | 2 | Clip, Link | 13 | 815-0793-04 | 1 | Screw, Flange – Hex (M5 x 0.8 x 16mm) |
| 3 | 150-2542 | 1 | Spring, Governor | 14 | 152-0344-03 | 1 | Bracket, Lever – Throttle |
| 4 | 152-0332 | 1 | Link, Throttle | 15 | 153-0633-01 | 1 | Clamp, Cable |
| 5 | 518-0576 | 4 | Circlip | 16 | 815-0359 | 1 | Screw, Hex Washer Head – Thread Forming (#10-32 x 7/8") |
| 6 | 152-0346-03 | 1 | Lever, Control | 17 | 150-2529 | 1 | Shaft, Lever – Governor |
| 7 | 851-0042 | 2 | Washer, Spring – Wave (M5) | 18 | 509-0255 | 1 | Seal, Lever – Governor Shaft |
| 8 | 145-0697 | 2 | Pivot, Lever | 19 | 740-1006 | 1 | Washer, Flat (M8) |
| 9 | 153-0663-03 | 1 | Lever, Choke | 20 | 870-0506 | 1 | Nut, Lock – Nylon (M6 x 1) |
| 10 | 815-0793-07 | 1 | Screw, Flange – Hex (M5 x 0.8 x 30mm) | | | | |
| 11 | 815-0793-02 | 1 | Screw, Flange – Hex (M5 x 0.8 x 10mm) | | | | |

Carburetor

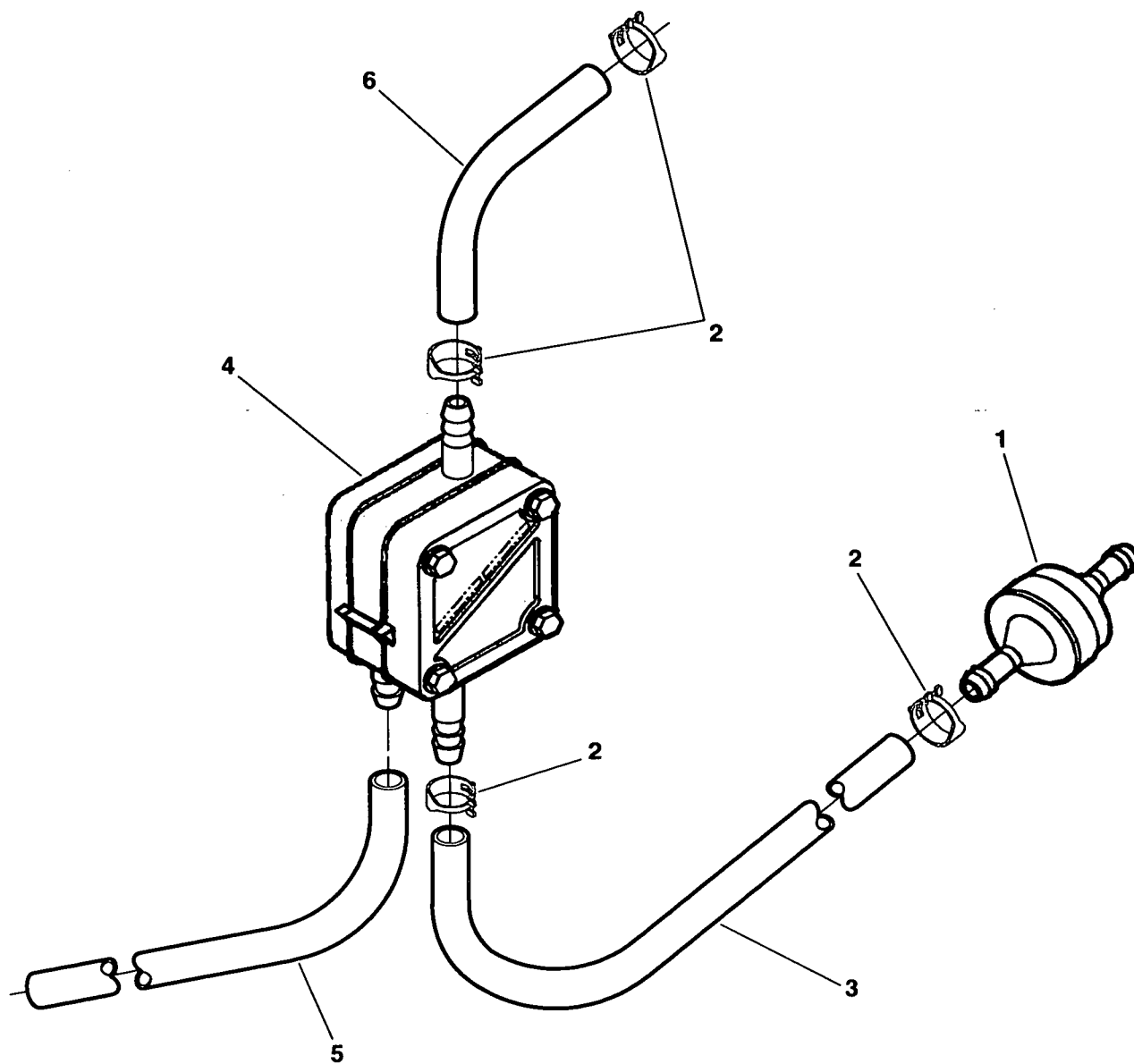


Carburetor

| REF NO. | PART NO. | QTY USED | PART DESCRIPTION | REF NO. | PART NO. | QTY USED | PART DESCRIPTION |
|---------|-------------|----------|--|---------|-------------|----------|---|
| 1 | 800-2063 | 2 | Screw, Cap – Hex Head (M8 x 1.25 x 50mm) | 19 | 740-1004 | 2 | Washer, Flat (M6) |
| 2 | 526-0115 | 2 | Washer, Flat (M8) | 20 | 145-0694 | 1 | Support, Carburetor |
| 3 | 154-2871 | 1 | Elbow, Intake | 21 | 140-2536-05 | 1 | Seal, Spacer – Air Cleaner (.625") |
| 4 | 146-0584-01 | 1 | Gasket, Intake | 22 | 140-2748 | 1 | Wrapper, Filter – Air |
| 5 | 146-0599 | 1 | *Gasket, Insulator | 23 | 140-2672 | 1 | Filter, Air |
| 6 | 146-0532 | 1 | Insulator, Carburetor | 24 | 140-2674-01 | 1 | Cover, Filter – Air |
| 7 | 146-0600 | 1 | *Gasket, Insulator | 25 | 865-0029 | 1 | Nut, Wing (1/4-20) |
| 8 | | | Carburetor | 26 | 140-2749 | 1 | Cover, Cleaner – Air |
| | 146-0594 | 1 | 11187A | 27 | 406-0749 | 1 | Washer, Nylon (Special) |
| | 146-0701 | | 11187C, 11317A,C | 28 | 406-0750 | 1 | Retainer |
| 9 | 140-2771 | 1 | *Gasket, Cleaner – Air | 29 | 406-0751 | 1 | Spring |
| 10 | 406-0747 | 1 | Receptacle, Fastener | 30 | 406-0748 | 1 | Fastener, 1/4 Turn |
| 11 | 123-2031 | 1 | Tube, Breather | 31 | 146-0652 | 1 | Jet, Altitude – High (Spec 11187A) |
| 12 | 508-1094 | 1 | Grommet | 32 | 146-0653 | | Kit, Repair – Carburetor (Spec 11187A)(Includes Float Kit and Parts Marked *) |
| 13 | 140-2765-02 | 1 | Pan Assy, Cleaner – Air | | | | |
| 14 | 140-2999 | 1 | Duct, Inlet – Air | | | | |
| 15 | 526-0408 | 1 | Washer, Fender (Special) | 33 | 146-0704 | 1 | Jet, Altitude (Spec 11187C, 11317A,C) (Used OUTSIDE State of California ONLY) |
| 16 | 815-0527 | 1 | Screw, Pan Head – Thread Forming (#10-16 x 1/2") | | | | |
| 17 | 815-0829-04 | 1 | Screw, Hex Head Flange – Thread Forming (M8 x 1.25 x 16mm) | | | | |
| 18 | 815-0816-01 | 2 | Screw, Hex Head – Thread Forming (M6 x 1 x 90mm) | | | | |

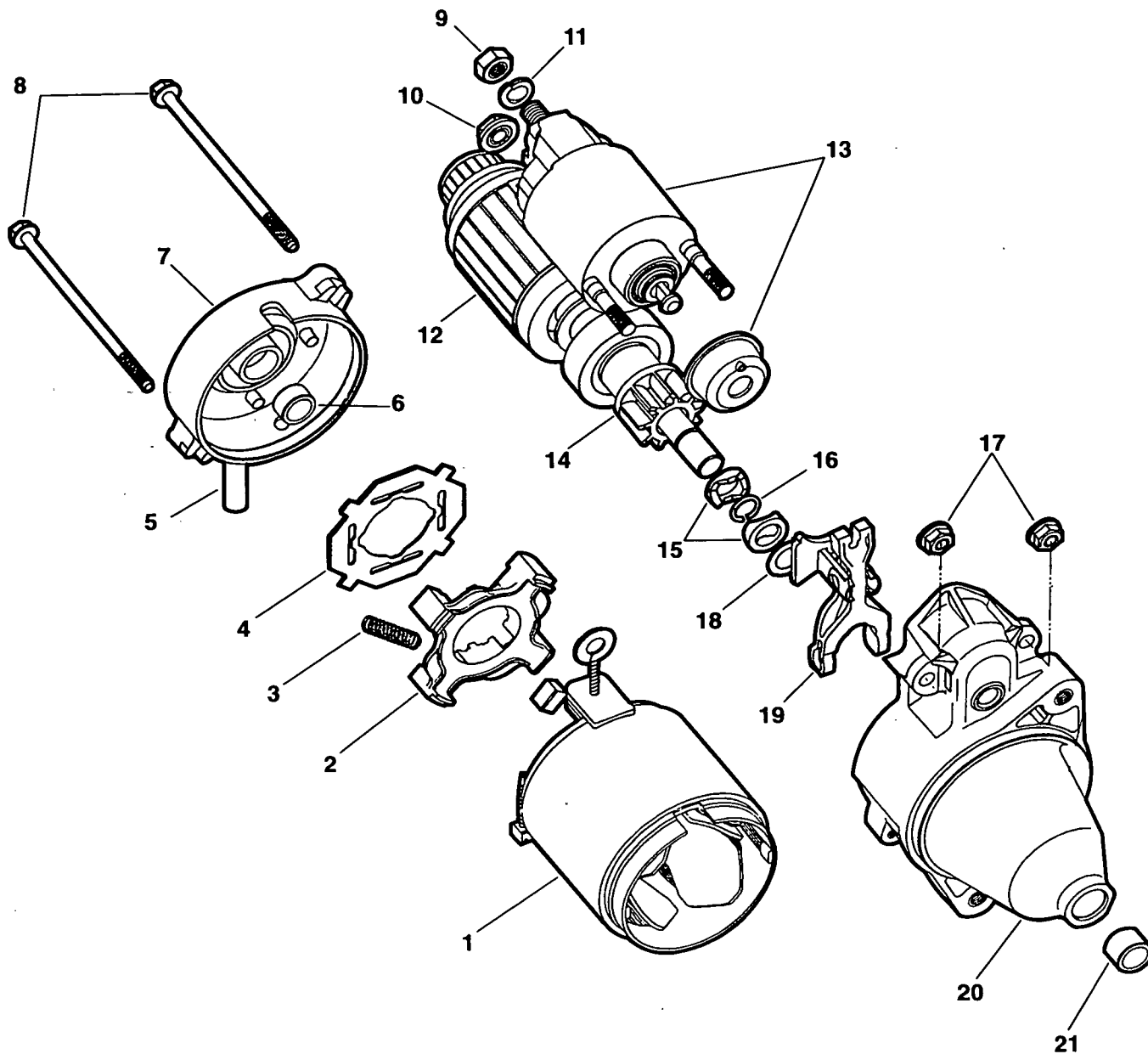
* – Parts Included in Carburetor Repair Kit.

Fuel Pump



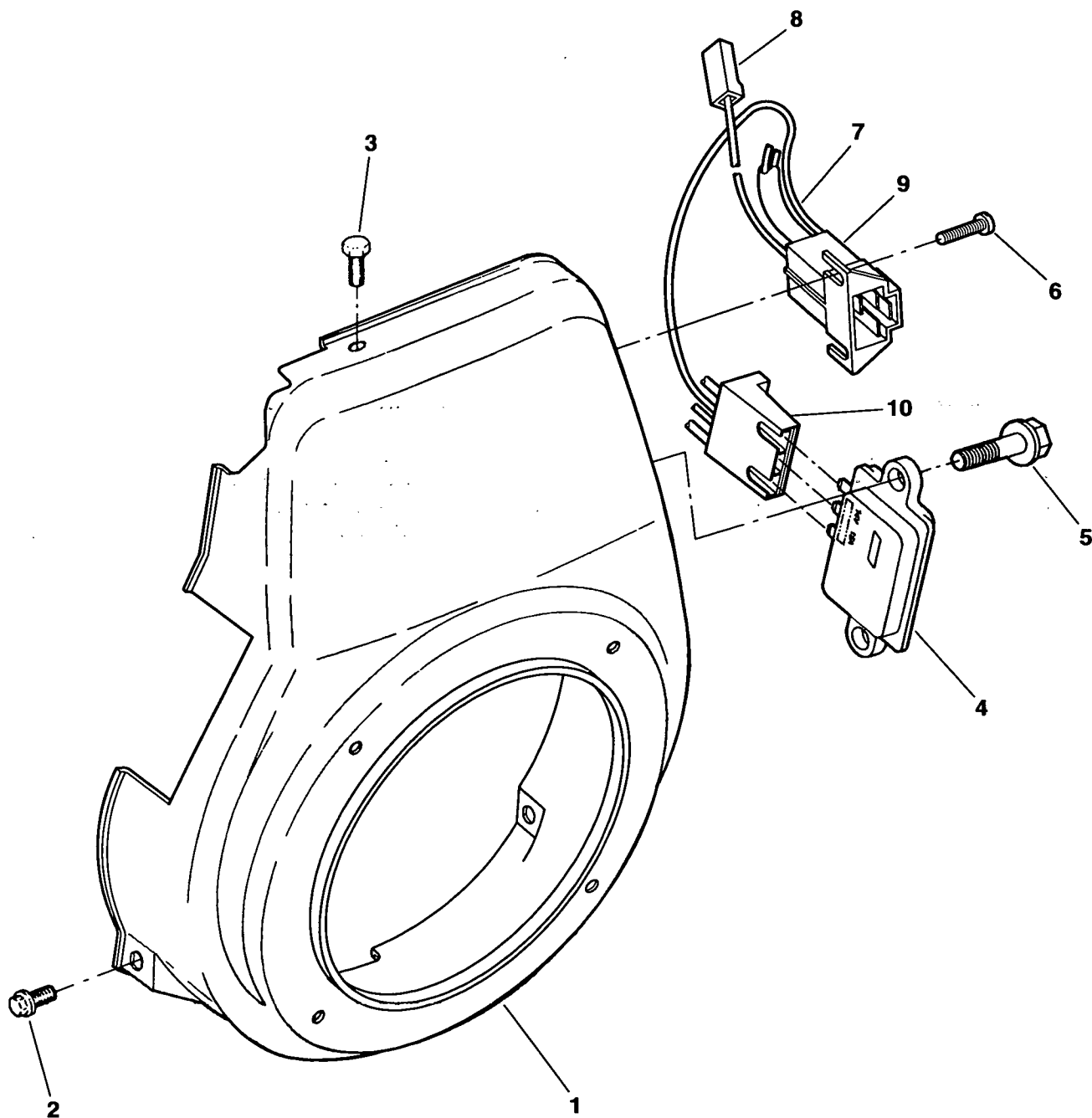
| REF NO. | PART NO. | QTY USED | PART DESCRIPTION | REF NO. | PART NO. | QTY USED | PART DESCRIPTION |
|---------|----------|----------|---|---------|----------|----------|--|
| 1 | 149-2356 | 1 | Filter, Fuel | 5 | 503-1418 | 1 | Hose, Bulk Fuel (Pulse Line) (1/4" x 116mm) |
| 2 | 503-0731 | 4 | Clamp, Hose | 6 | 503-1418 | 1 | Hose, Bulk Fuel (Outlet) (1/4" x 54mm) |
| 3 | 503-1418 | 1 | Hose, Bulk Fuel (Inlet) (1/4" x 230mm) | | | | |
| 4 | 149-2387 | 1 | Pump, Fuel | | | | |

Starter Components



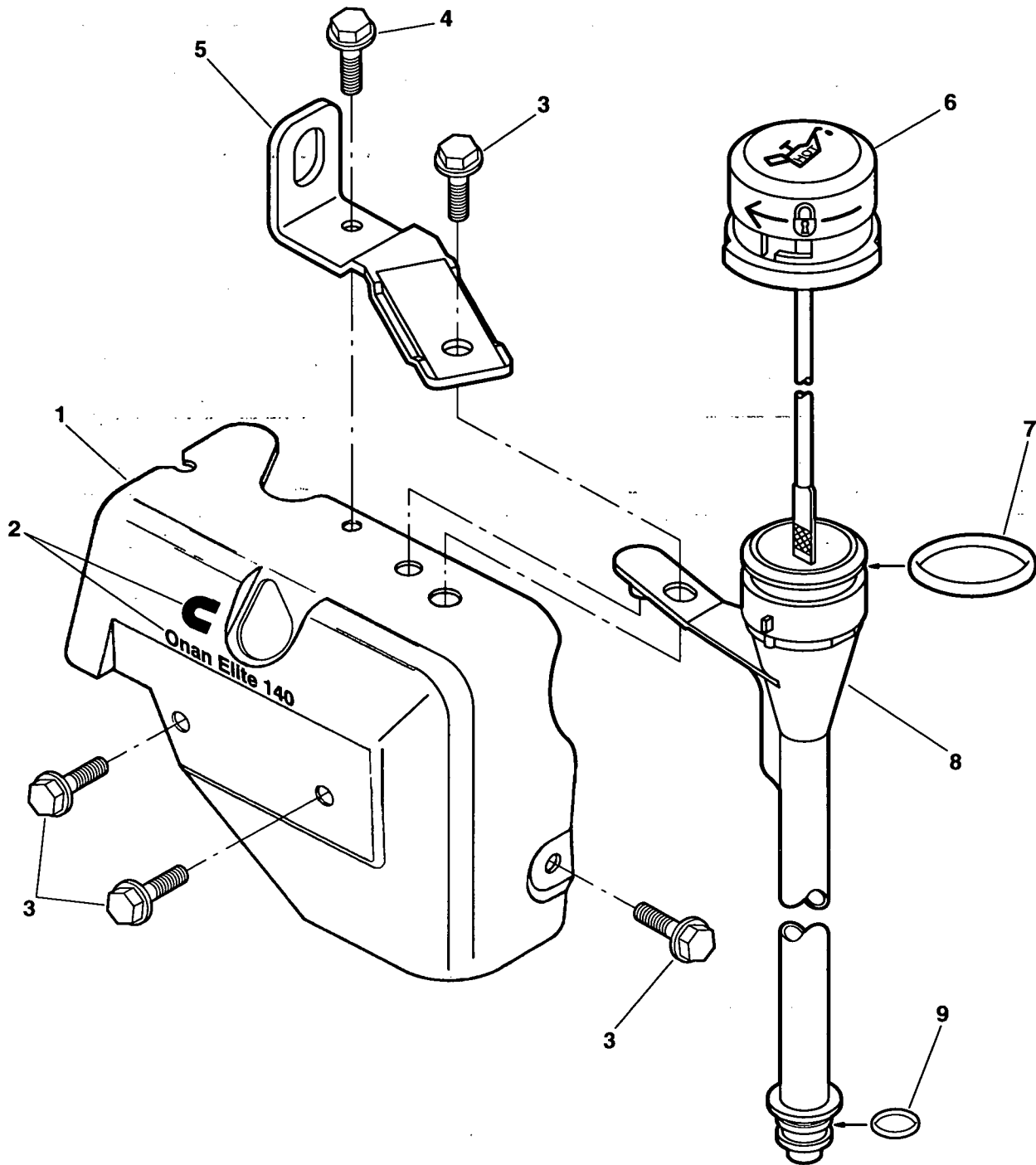
| REF NO. | PART NO. | QTY USED | PART DESCRIPTION | REF NO. | PART NO. | QTY USED | PART DESCRIPTION |
|---------|----------|----------|--|---------|----------|----------|------------------------|
| | 191-2107 | 1 | Starter | 11 | 185-2381 | 1 | Washer, Spring |
| 1 | 185-2659 | 1 | Frame, Starter | 12 | 185-6381 | 1 | Armature, Starter |
| 2 | 185-2661 | 1 | Holder, Brush | 13 | 185-2658 | 1 | Switch, Magnetic |
| 3 | 185-2662 | 4 | Spring, Brush | 14 | 185-6382 | 1 | Clutch |
| 4 | 185-2664 | 1 | Insulator | 15 | 185-6385 | 2 | Nut, Stop - Pinion |
| 5 | 185-2965 | 1 | Hose, Drain | 16 | 185-6386 | 1 | Ring, Snap |
| 6 | 185-2663 | 1 | Bearing, Oilless | 17 | 185-2334 | 2 | Nut |
| 7 | 185-6383 | 1 | Frame Assy, End (Includes Cover and Oil Less Bearing) | 18 | 185-6387 | 1 | Washer, Plate |
| 8 | 185-2660 | 2 | Bolt, Through | 19 | 185-2656 | 1 | Lever, Drive - Starter |
| 9 | 185-2367 | 1 | Nut | 20 | 185-2706 | 1 | Housing, Starter |
| 10 | 870-0465 | 1 | Nut | 21 | 185-6384 | 1 | Bearing, Oilless |

Blower Housing



| REF NO. | PART NO. | QTY USED | PART DESCRIPTION | REF NO. | PART NO. | QTY USED | PART DESCRIPTION |
|---------|-------------|----------|--|---------|-------------|----------|---|
| 1 | 134-5024-04 | 1 | Housing, Blower | 6 | 823-0002-04 | 2 | Screw, Torx – Pan Head (M4 x .7 x 12mm) |
| 2 | 821-2033 | 3 | Screw, Locking – Hex Washer Head (M6 x 1 x 16mm) | 7 | 338-3177 | 1 | Harness, Wiring – Engine (Includes Housing, Connector and Connector Body) |
| 3 | 815-0753 | 1 | Bolt, Cap – Hex Head (M6 x 14)mm | 8 | 323-1216 | 1 | Housing, Receptacle |
| 4 | 191-1970 | 1 | Regulator, Voltage (VR1) | 9 | 323-1604 | 1 | Connector |
| 5 | 815-0474 | 2 | Screw, Sheet Metal – Hex Washer Head (1/4-14 x 1/2") | 10 | 323-1585 | 1 | Body, Connector |

Air Cylinder Housing



| REF NO. | PART NO. | QTY USED | PART DESCRIPTION | REF NO. | PART NO. | QTY USED | PART DESCRIPTION |
|---------|-------------|----------|--|---------|-------------|----------|------------------------|
| 1 | 134-5059 | 1 | Housing, Cylinder – Air (Includes Label) | 5 | 403-3632-02 | 1 | Bracket, Lift |
| 2 | 098-6942 | 1 | Label, Ident – Model | 6 | 123-1972-02 | 1 | Indicator and Cap Assy |
| 3 | 815-0829-04 | 4 | Screw, Flange – Hex Head Thread Forming (M8 x 1.25 x 16mm) | 7 | 509-0304 | 1 | O-Ring, Upper |
| 4 | 821-2033 | 1 | Screw, Lock – Flange (M6 x 1 x 16mm) | 8 | 123-1970 | 1 | Tube, Fill – Oil |
| | | | | 9 | 509-0324 | 1 | O-Ring, Lower |

Numerical Index

| <u>Part No.</u> | <u>Page</u> | <u>Part No.</u> | <u>Page</u> | <u>Part No.</u> | <u>Page</u> | <u>Part No.</u> | <u>Page</u> |
|-----------------|-------------|-----------------|-------------|-----------------|-------------|-----------------|-------------|
| 098-6942, 18 | | 110-3595, 10 | | 122-0475, 11 | | 150-2547, 11 | |
| 103-0817-11, 11 | | 110-3596, 10 | | 122-0737-02, 11 | | 152-0332, 12 | |
| 104-1718, 5 | | 110-3615, 4, 10 | | 123-1970, 18 | | 152-0343, 12 | |
| 104-1721-01, 5 | | 110-3693, 10 | | 123-1972-02, 18 | | 152-0344-03, 12 | |
| 104-1721-02, 5 | | 110-3694, 10 | | 123-2014, 10 | | 152-0345-03, 12 | |
| 104-1721-03, 5 | | 110-3710, 10 | | 123-2030, 10 | | 152-0346-03, 12 | |
| 104-1721-05, 5 | | 110-3822, 10 | | 123-2031, 14 | | 153-0633-01, 12 | |
| 104-1721-07, 5 | | 110-3825, 10 | | 134-4773, 8 | | 153-0663-03, 12 | |
| 104-1721-08, 5 | | 110-3826, 10 | | 134-5005-02, 8 | | 154-2871, 14 | |
| 104-1809-01, 5 | | 110-3827, 10 | | 134-5006-02, 8 | | 166-0832, 4 | |
| 104-1809-02, 5 | | 110-3828-01, 10 | | 134-5024-04, 17 | | 166-0837, 4 | |
| 104-1809-03, 5 | | 110-3830-01, 10 | | 134-5059, 18 | | 167-0275, 10 | |
| 104-1809-04, 5 | | 110-3833, 11 | | 140-2536-05, 14 | | 185-2334, 16 | |
| 104-1809-05, 5 | | 110-3863-04, 10 | | 140-2672, 14 | | 185-2367, 16 | |
| 104-1809-06, 5 | | 110-3898-01, 10 | | 140-2674-01, 14 | | 185-2381, 16 | |
| 104-1809-07, 5 | | 112-0244, 7 | | 140-2748, 14 | | 185-2656, 16 | |
| 104-1816-03, 5 | | 112-0245, 7 | | 140-2749, 14 | | 185-2658, 16 | |
| 104-1816-04, 5 | | 112-0276, 7 | | 140-2765-02, 14 | | 185-2659, 16 | |
| 104-1832-04, 5 | | 112-0276-01, 7 | | 140-2771, 14 | | 185-2660, 16 | |
| 104-1832-07, 5 | | 112-0276-02, 7 | | 140-2999, 14 | | 185-2661, 16 | |
| 104-1855, 5 | | 113-0330, 7 | | 145-0694, 14 | | 185-2662, 16 | |
| 104-1856, 5 | | 113-0330-01, 7 | | 145-0697, 12 | | 185-2663, 16 | |
| 104-1903, 5 | | 113-0330-02, 7 | | 146-0532, 14 | | 185-2664, 16 | |
| 105-0649-01, 6 | | 114-0355, 7 | | 146-0584-01, 14 | | 185-2706, 16 | |
| 105-0649-02, 6 | | 114-0356, 7 | | 146-0594, 14 | | 185-2965, 16 | |
| 105-0649-03, 6 | | 114-0357, 7 | | 146-0599, 14 | | 185-6381, 16 | |
| 105-0649-04, 6 | | 114-0357-01, 7 | | 146-0600, 14 | | 185-6382, 16 | |
| 105-0649-05, 6 | | 114-0357-02, 7 | | 146-0652, 14 | | 185-6383, 16 | |
| 105-0649-06, 6 | | 115-0423, 10 | | 146-0653, 14 | | 185-6384, 16 | |
| 105-0716, 6 | | 115-0424, 10 | | 146-0701, 14 | | 185-6385, 16 | |
| 105-0719, 6 | | 115-0426, 10 | | 146-0704, 14 | | 185-6386, 16 | |
| 110-3578, 10 | | 115-0427, 10 | | 149-2356, 15 | | 185-6387, 16 | |
| 110-3579, 10 | | 115-0428, 10 | | 149-2387, 15 | | 191-1456-04, 8 | |
| 110-3580, 10 | | 115-0429, 10 | | 150-2272, 11 | | 191-1967, 8 | |
| 110-3584, 10 | | 115-0473, 10 | | 150-2303, 6 | | 191-1970, 17 | |
| 110-3586, 10 | | 120-0140, 11 | | 150-2304, 6 | | 191-2107, 4, 16 | |
| 110-3587, 10 | | 120-1295, 11 | | 150-2529, 12 | | 309-0640, 11 | |
| 110-3591, 10 | | 120-1298, 11 | | 150-2530, 11 | | 323-1216, 17 | |
| 110-3593, 10 | | 120-1299-02, 11 | | 150-2534-02, 12 | | 323-1585, 17 | |
| 110-3594, 10 | | 120-1313, 11 | | 150-2542, 12 | | 323-1604, 17 | |

Numerical Index

| <u>Part No.</u> | <u>Page</u> | <u>Part No.</u> | <u>Page</u> | <u>Part No.</u> | <u>Page</u> | <u>Part No.</u> | <u>Page</u> |
|-----------------|-------------|-----------------|-------------|-----------------|-------------|-----------------|-------------|
| 338-3177, | 17 | 775-0074, | 4 | | | | |
| 403-3632-02, | 18 | 800-2063, | 14 | | | | |
| 406-0747, | 14 | 800-3026, | 10 | | | | |
| 406-0748, | 14 | 815-0359, | 12 | | | | |
| 406-0749, | 14 | 815-0474, | 17 | | | | |
| 406-0750, | 14 | 815-0527, | 14 | | | | |
| 406-0751, | 14 | 815-0638-01, | 8 | | | | |
| 502-0153, | 4 | 815-0753, | 17 | | | | |
| 502-0313, | 11 | 815-0793-02, | 12 | | | | |
| 503-0731, | 15 | 815-0793-04, | 12 | | | | |
| 503-1418, | 15 | 815-0793-07, | 12 | | | | |
| 508-1094, | 14 | 815-0816-01, | 14 | | | | |
| 509-0253, | 11 | 815-0829-01, | 11 | | | | |
| 509-0255, | 12 | 815-0829-02, | 11 | | | | |
| 509-0258, | 4, 11 | 815-0829-03, | 11 | | | | |
| 509-0304, | 18 | 815-0829-04, | 14, 18 | | | | |
| 509-0324, | 18 | 821-2033, | 17, 18 | | | | |
| 510-0043, | 11 | 823-0002-04, | 17 | | | | |
| 510-0160, | 4, 11 | 823-0003-02, | 8, 11 | | | | |
| 510-0162, | 4 | 823-0003-05, | 11 | | | | |
| 510-0163, | 4 | 823-0003-07, | 4 | | | | |
| 515-0293, | 5 | 851-0042, | 12 | | | | |
| 515-0295, | 8 | 853-0016, | 4 | | | | |
| 516-2004, | 10 | 865-0029, | 14 | | | | |
| 518-0560, | 11 | 870-0465, | 16 | | | | |
| 518-0566, | 10 | 870-0506, | 12 | | | | |
| 518-0576, | 12 | 870-2060, | 8 | | | | |
| 526-0115, | 4, 14 | | | | | | |
| 526-0405, | 8 | | | | | | |
| 526-0408, | 14 | | | | | | |
| 526-0421, | 5 | | | | | | |
| 526-2078, | 11 | | | | | | |
| 718-1017, | 8 | | | | | | |
| 718-1040, | 4 | | | | | | |
| 740-1004, | 14 | | | | | | |
| 740-1006, | 12 | | | | | | |
| 740-1008, | 10 | | | | | | |
| 750-1006, | 4 | | | | | | |
| 775-0061, | 8 | | | | | | |
| 775-0069, | 11 | | | | | | |