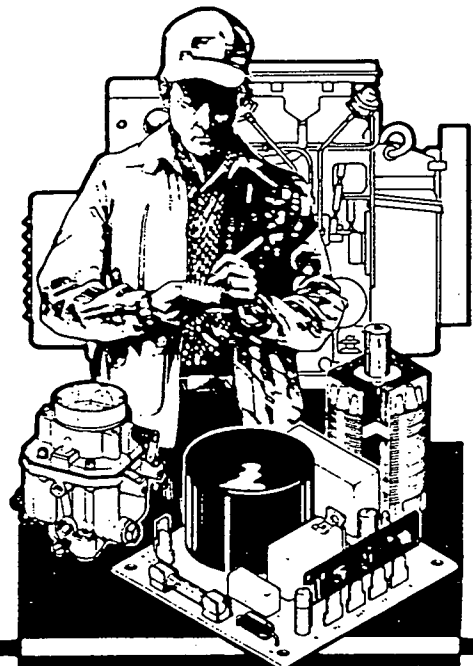

Onan

**Parts
Manual**

UV

Alternators
Single-Bearing



Onan Service Parts

971-0210
9-86 (Spec A)
Printed In USA

General Information

For parts or service, contact the dealer from whom you purchased this equipment or refer to your Nearest Authorized Onan Parts and Service Center.

To avoid errors or delay in filling your parts order, always give the MODEL, SPEC NO. and SERIAL NO. from the Onan nameplate.

The image shows a rectangular nameplate form with two circular punch holes at the top. The Onan logo is prominently displayed at the top left. Below the logo is a large rectangular box labeled "MODEL AND SPEC NO.". Underneath that is another rectangular box labeled "SERIAL NO.". The bottom right corner of the form is cut off, showing the layered edges of the paper.

M-1149

For handy reference, insert "YOUR" nameplate information in the spaces above.

Index

Bell, End 4, 6, 10, 12
Block, Terminal 23
Bus Bar 15, 17
Contact, Electrical 8
Disk, Drive 4, 6, 10, 12
Fan and Disk Assembly 4, 6, 10, 12
Heater, Electrical 41
Introduction 3
Rectifier, Negative 19
Rectifier, Positive 19
Regulator, Voltage 9
Rotor, Alternator 4, 6, 10, 12
Rotor, Exciter 19
Screen, Air 4, 6, 10, 12
Sensor, Over Speed 20
Stator, Exciter 4, 6, 10, 12
Stator, Alternator 4, 6, 10, 12
Support, Bus Bar 18
Suppressor, Voltage 21
Suppressor, Voltage - Dual 22
Switch, Over Speed 8
Table, Data - Electrical 3
Table, Data - Unit 3
Wheel, Over Speed 20

Introduction

This Parts Manual applies to the Standard Units Listed below. The illustrations are arranged in groups of related items, and each part or assembly is identified by a Reference Number. All parts illustrated are typical, and unless otherwise mentioned in the description column the parts are interchangeable between models.

These typical illustrations are subject to change and reflect only the latest replacement parts arrangement. The Right and Left sides of the Unit are determined by FACING the FRONT or input end of the Unit. (Ref: Fan and Drive Disk).

Unit Data Table

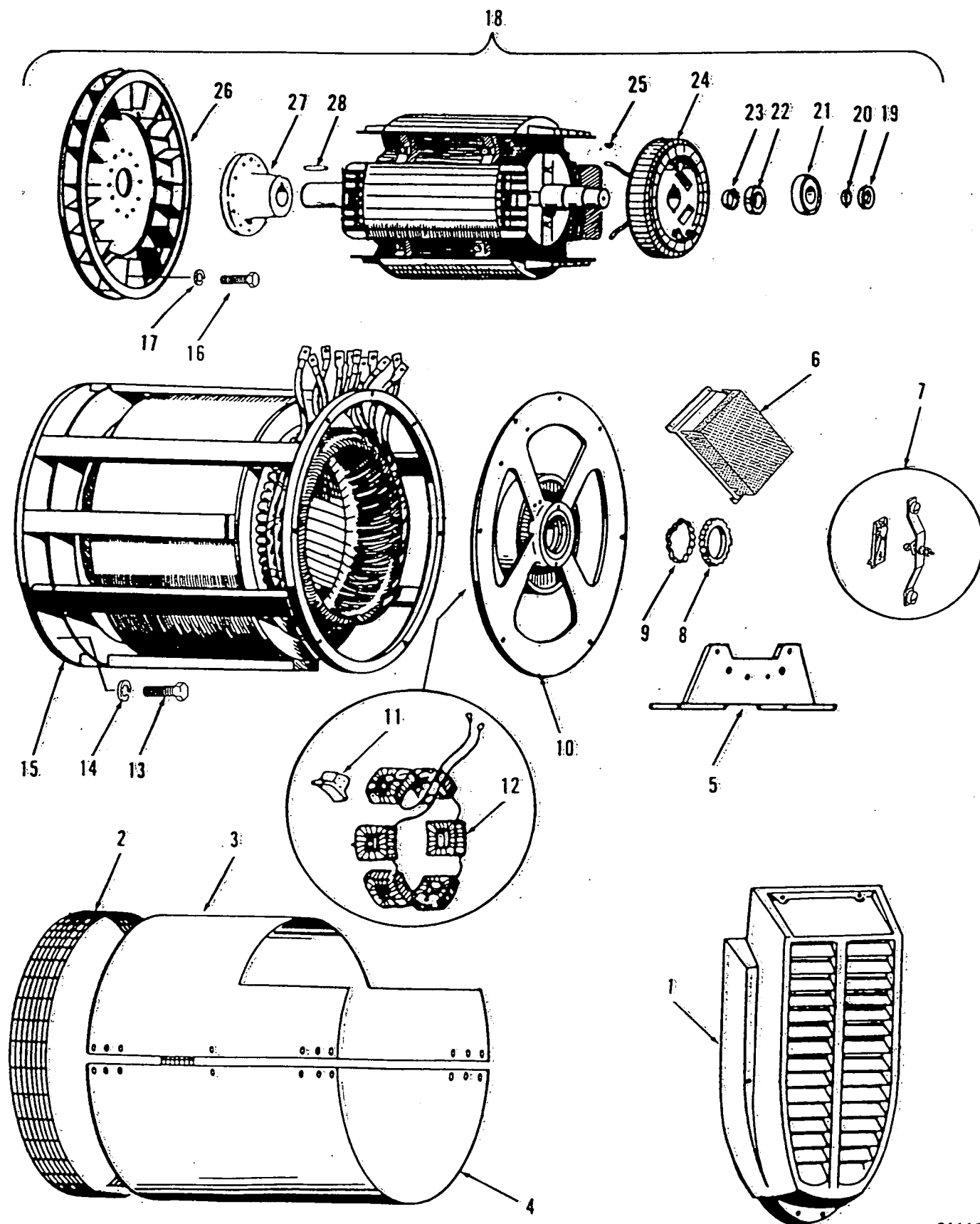
MODEL IDENTIFICATION	RATING	MODEL IDENTIFICATION	RATING
250.0 UV - */ # @	250,000 WATTS	450.0 UV - */ # @	450,000 WATTS
290.0 UV - */ # @	290,000 WATTS	500.0 UV - */ # @	500,000 WATTS
300.0 UV - */ # @	300,000 WATTS	600.0 UV - */ # @	600,000 WATTS
330.0 UV - */ # @	330,000 WATTS	625.0 UV - */ # @	625,000 WATTS
350.0 UV - */ # @	350,000 WATTS	750.0 UV - */ # @	750,000 WATTS
400.0 UV - */ # @	400,000 WATTS		

Electrical Data Table

*VOLTAGE CODE	VOLTS	HERTZ	WIRE	PHASE	NOTES
4	120/208	60	4	3	
4X	277/480	60	4	3	
5	120/240	60	4	3	
6	240/480	60	4	3	
7	220/380	60	4	3	
7X	240/416	60	4	3	
8	127/220	60	4	3	
9X	347/600	60	4	3	
14	120/208; 240/416	60	10	3	
16	139/240; 277/480	60	10	3	
--	139/240	60	4	3	+
31	110/190; 220/380 WYE 115/200; 230/400 WYE 120/208; 240/416 WYE 127/220; 254/440 WYE	60	12	3	c
54	120/208	50	4	3	
57	220/380	50	4	3	
519	110/190; 115/200	50	4	3	
520	220/380; 230/400	50	4	3	
521	120/208; 127/220	50	4	3	
522	240/416; 254/440	50	4	3	

- * - Voltage Codes follow Model Letter designations.
- # - Specification Number: Number 1 is Standard, all other indicate variations.
- @ - Specification Letter: Letter advances (A to B, B to C, etc) with major manufacturing changes.
- + - No Standard Voltage Code; Code 99 marked on nameplate for reference.
- c - The Stator is Reconnectible.

Alternator
With Integral Voltage Regulator

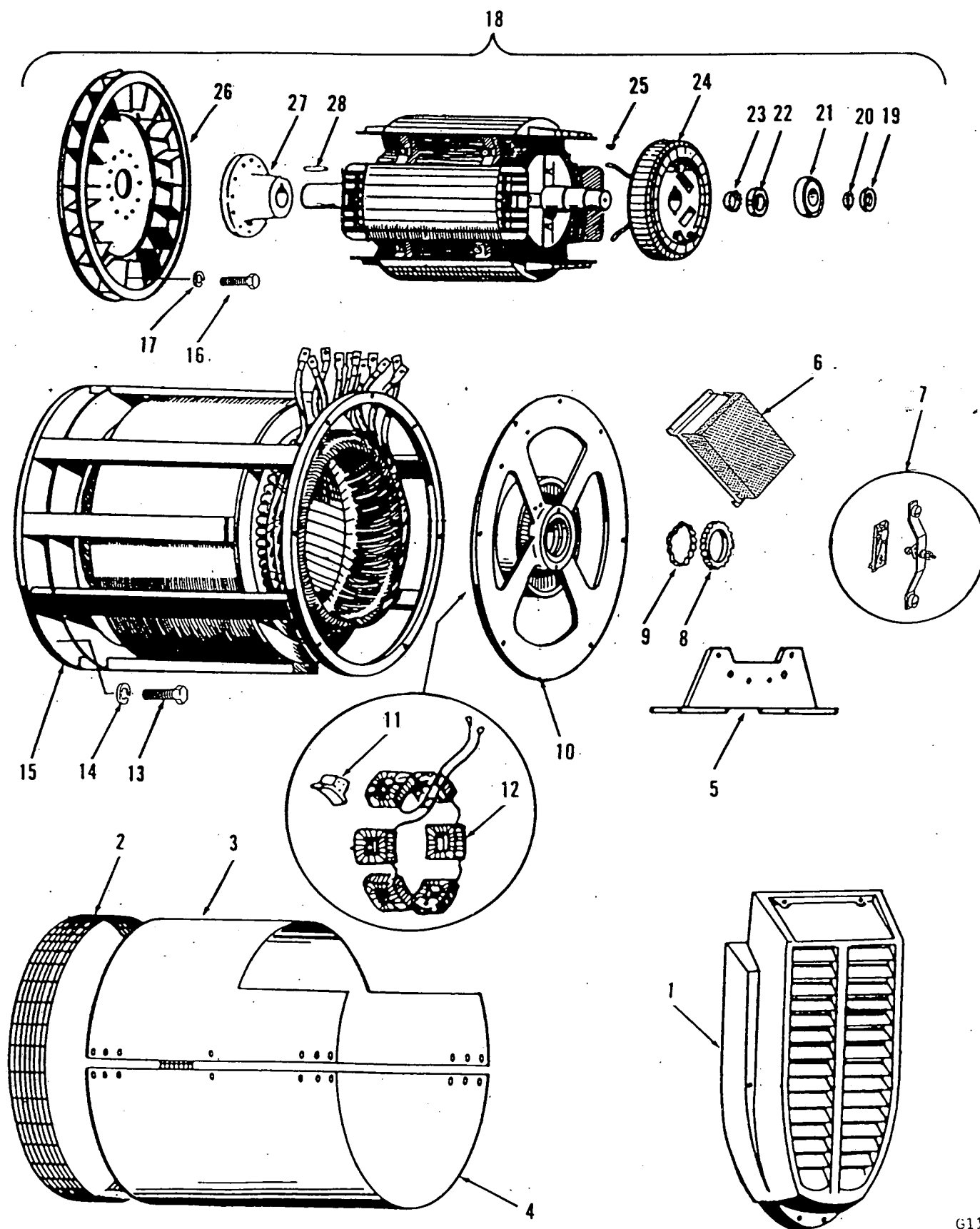


G1117

**Alternator
With Integral Voltage Regulator**

REF NO.	PART NO.	QTY USED	PART DESCRIPTION	REF NO.	PART NO.	QTY USED	PART DESCRIPTION
1	232-1973	1	Grille	8	232-1923	1	Holder, Bearing
	520-0692	2	Stud (5/16-18)	9	232-1924	1	Spring, Holder
	800-0009	4	Screw, Cap - Hex Head (1/4-20 x 1-1/2")	10	211-0170	1	Bell, End (Includes Coil and Pole Shoes)
	800-0013	2	Screw, Cap - Hex Head (1/4-20 x 2-1/2")	11	221-0153	6	Shoe, Pole
	850-0040	6	Washer, Lock - Spring (1/4")		800-0031	12	Screw, Cap - Hex Head (5/16-18 x 1-1/2")
	850-0070	4	Washer, Lock - Spring (5/16")	12	222-1693	1	Set, Coil - Field
	862-0007	4	Nut, Hex (5/16-18)	13	800-0092	16	Screw, Cap - Hex Head (1/2-13 x 1-1/2")
2	234-0272	1	Screen	14	850-0060	16	Washer, Lock - Spring (1/2")
	800-0003	2	Screw, Cap - Hex Head (1/4-20 x 1/2")	15			Stator (Includes Bus Bars - See Separate Page for Bus Bar Components)
	850-0040	2	Washer, Lock - Spring (1/4")		220-1336	1	250kW, Code 54
3			Band, Top		220-1078	1	250kW, Code 57
	234-0287	1	300(250)kW		220-1336	1	290kW, Code 54
	234-0287	1	350(300)kW		220-1078	1	290kW, Code 57
	234-0288	1	400(330)kW		220-1075	1	300kW, Code 14
	234-0289	1	450(400)kW		220-1075	1	300kW, Code 4
	234-0290	1	500(450)kW		220-1076	1	300kW, Code 4X
	234-0291	1	600(500)kW		220-1078	1	300kW, Code 5
	234-0292	1	750(625)kW		220-1079	1	300kW, Code 6
	800-0026	2	Screw, Cap - Hex Head (5/16-18 x 3/4")		220-1077	1	300kW, Code 9X
	850-0045	2	Washer, Lock - Spring (5/16")		220-1086	1	330kW, Code 57
			Band, Bottom		220-1075	1	350kW, Code 14
4	234-0277	1	300(250)kW		220-1075	1	350kW, Code 4
	234-0277	1	350(300)kW		220-1076	1	350kW, Code 4X
	234-0278	1	400(330)kW		220-1078	1	350kW, Code 5
	234-0279	1	450(400)kW		220-1079	1	350kW, Code 6
	234-0280	1	500(450)kW		220-1077	1	300kW, Code 9X
	234-0281	1	600(500)kW		220-1086	1	330kW, Code 57
	234-0282	1	750(625)kW		220-1075	1	350kW, Code 14
	800-0026	2	Screw, Cap - Hex Head (5/16-18 x 3/4")		220-1075	1	350kW, Code 4
	850-0045	2	Washer, Lock - Spring (5/16")		220-1076	1	350kW, Code 4X
			Support		220-1078	1	350kW, Code 5
5	232-1957	1	Support		220-1079	1	350kW, Code 6
	805-0035	2	Bolt, Cap - Hex Head (5/8-11 x 1-1/2")		220-1077	1	350kW, Code 9X
			Regulator, Voltage (See Separate Page for Components)		220-1077	1	350kW, Code 9X
6	305-0455	1	Regulator, Voltage (See Separate Page for Components)		220-1728	1	400kW, Code 14
	813-0098	4	Screw, Machine - Round Head (#10-32 x 3/8")		220-1081	1	400kW, Code 4
	850-0030	4	Washer, Lock - Spring (#10)		220-1082	1	400kW, Code 4X
7			Switch, Over Speed (See Separate Page for Components)		220-1084	1	400kW, Code 5
					220-1092	1	400kW, Code 57
					220-1085	1	400kW, Code 6
					220-1111	1	400kW, Code 7
					220-1082	1	400kW, Code 8
					220-1083	1	400kW, Code 9X
					220-1087	1	450kW, Code 4
					220-1088	1	450kW, Code 4X
					220-1090	1	450kW, Code 5
					220-1091	1	450kW, Code 6
					220-1094	1	500kW, Code 16
					220-1093	1	500kW, Code 4
					220-1094	1	500kW, Code 4X
					220-1096	1	500kW, Code 5
					220-2713	1	500kW, Code 57
					220-1097	1	500kW, Code 6
					220-1094	1	500kW, Code 8
					220-1095	1	500kW, Code 9X

Alternator With Integral Voltage Regulator

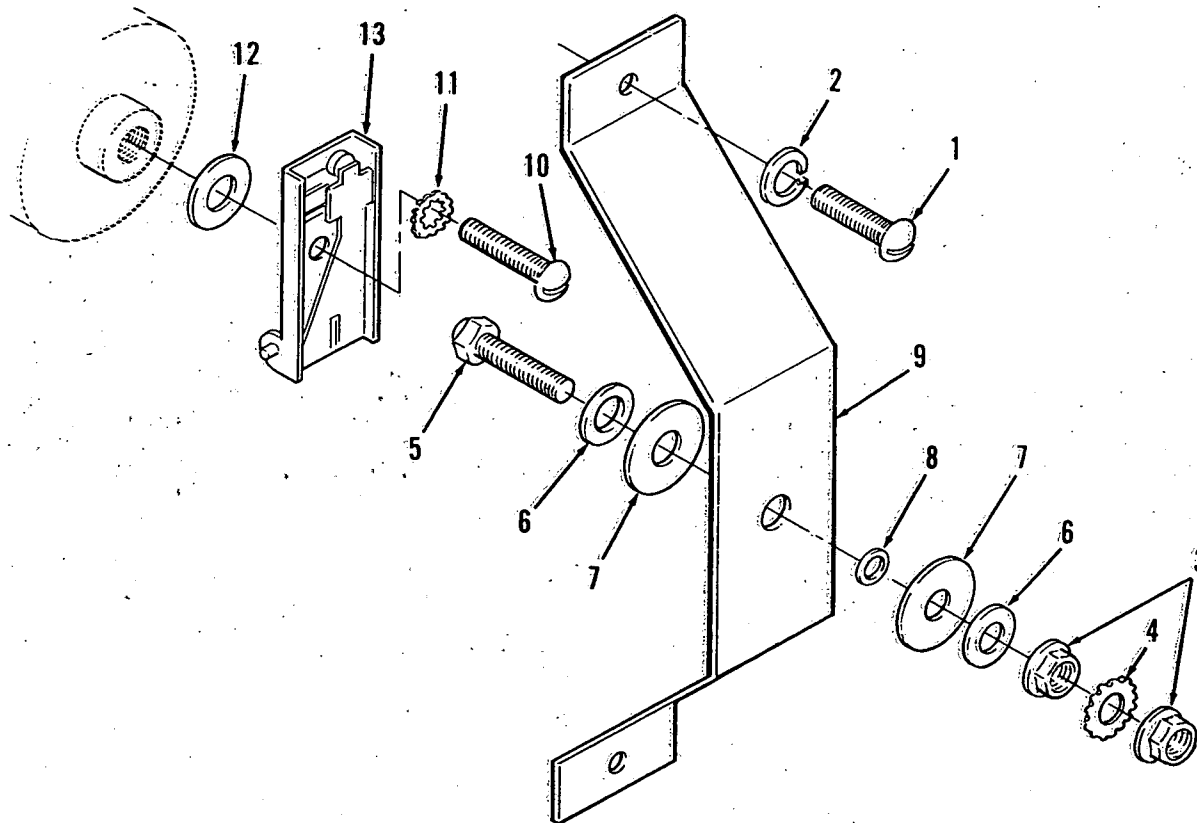


**Alternator
With Integral Voltage Regulator**

REF NO.	PART NO.	QTY USED	PART DESCRIPTION	REF NO.	PART NO.	QTY USED	PART DESCRIPTION
	220-1099	1	600kW, Code 4		201-1782	1	350kW, Codes 6, 9X, 14
	220-1100	1	600kW, Code 4X		201-1784	1	400kW, Codes 4, 4X, 5, 6,
	220-1102	1	600kW, Code 5		201-1787	1	400kW, Codes 57, 57X
	220-1103	1	600kW, Code 6		201-1784	1	400kW, Codes 7, 8, 9X, 14
	220-1099	1	600kW, Code 7X		201-1786	1	450kW, Codes 4, 4X, 5, 6
	220-2719	1	600kW, Code 9X		201-1791	1	500kW, Code 57
	220-1100	1	600kW, 139/240V		201-1788	1	500kW, Codes 4, 4X, 5, 6,
	220-2714	1	625kW, Code 57		201-1788	1	500kW, Codes 8, 9X, 16
	220-1105	1	750kW, Code 4		201-1790	1	600kW, Code 9X; 139/240V
	220-1106	1	750kW, Code 4X		201-1793	1	625kW, Code 57
	220-1108	1	750kW, Code 5		201-1792	1	750kW, Codes 4, 4X, 5, 6, 7X,
	220-1109	1	750kW, Code 6		201-1792	1	750kW, Codes 8, 9X, 139/240V
	220-1005	1	750kW, Code 7X	19	510-0091	1	*Nut, Locking - Bearing
	220-1106	1	750kW, Code 8	20	510-0093	1	*Washer, Locking - Nut
	220-2720	1	750kW, Code 9X	21	510-0090	1	*Bearing, Ball
	220-1106	1	750kW, 139/240V	22	510-0092	1	*Nut, Locking - Exciter
16	800-0133	6	Screw, Cap - Hex Head (5/8-11 x 1-3/4")	23	510-0094	1	*Washer, Locking - Nut
17	850-0070	6	Washer, Lock - Spring (5/8")	24			*Rotor, Exciter (See Separate Page for Components)
18			Rotor (Includes Parts Marked *)		201-1501	1	60 Hertz
	201-1783	1	250kW, Codes 54, 57		201-1549	1	50 Hertz
	201-1783	1	290kW, Codes 54, 57	25	515-0162	1	*Key
	201-1782	1	300kW, Codes 4, 4X, 5,	26	232-2833	1	*Disk and Fan Assembly
	201-1782	1	300kW, Codes 6, 9X, 14		805-0035	12	*Bolt, Cap - Hex Head (5/8-11 x 1-1/2")
	201-1785	1	330kW, Code 57	27	232-1870	1	*Hub
	201-1782	1	350kW, Codes 4, 4X, 5,	28	515-0161	1	*Key

* - Parts included in Rotor.

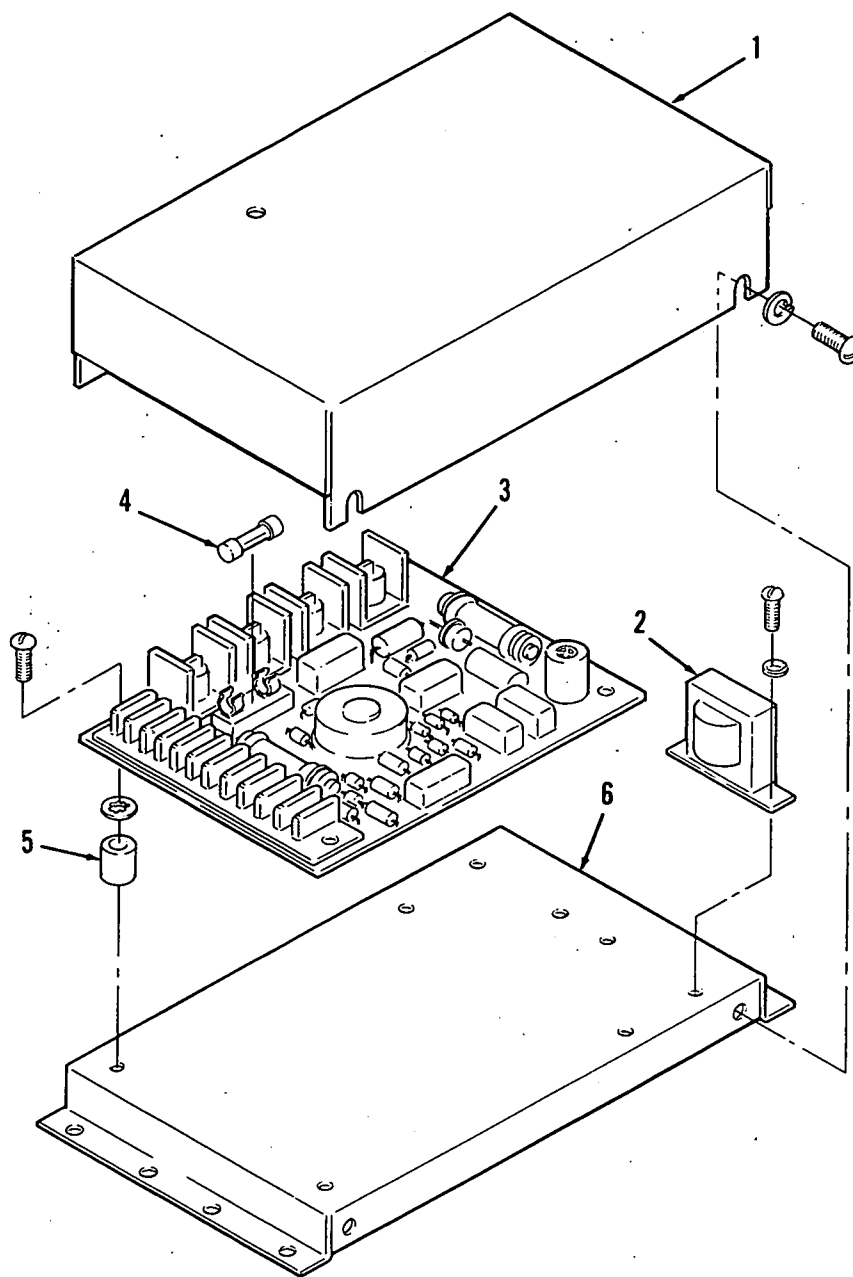
Over Speed Switch Components



241A

REF NO.	PART NO.	QTY USED	PART DESCRIPTION	REF NO.	PART NO.	QTY USED	PART DESCRIPTION
1	812-0148	2	Screw, Machine - Round Head (1/4-20 x 1/2")	7	508-0018	2	Washer, Insulating
2	850-0040	2	Washer, Lock - Spring (1/4")	8	508-0006	1	Washer, Insulating (3/8"OD)
3	871-0016	2	Nut, Hex - Brass (1/4-20)	9	150-1194	1	Bracket
4	854-0014	1	Washer, Lock - IT (1/4")	10	812-0189	1	Screw, Machine - Round Head (3/8-16 x 3/4")
5	150-0723	1	Contact	11	856-0010	1	Washer, Lock - EIT (3/8")
6	526-0052	2	Washer, Flat - Brass (1/4")	12	526-0030	1	Washer, Flat (3/8")
				13	150-0717	1	Switch, Over Speed

Voltage Regulator Components

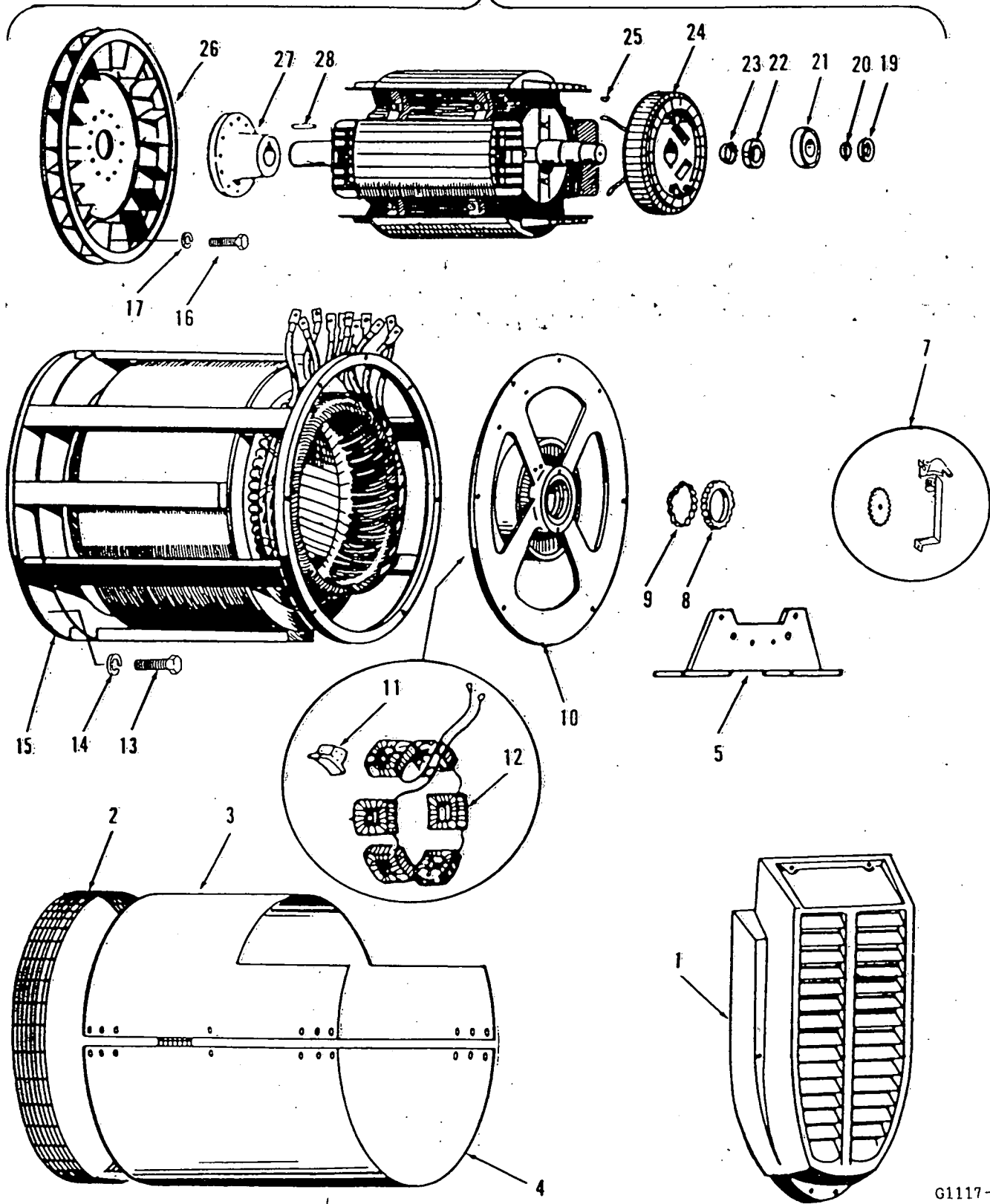


243A

REF NO.	PART NO.	QTY USED	PART DESCRIPTION	REF NO.	PART NO.	QTY USED	PART DESCRIPTION
1	305-0456	1	Cover				
	813-0100	4	Screw, Machine - Round Head (#10-32 x 1/2")				
	850-0029	4	Washer, Lock - Spring (#10)				
2	315-0301	1	Inductor				
	812-0029	2	Screw, Machine - Round Head (#8-32 x 1/2")				
	860-1008	2	Washer, Lock - Spring (#8)				
3	332-1160	1	Board (Includes Fuse and Rectifiers)				
	812-0061	4	Screw, Machine - Round Head (#6-32 x 3/8")				
					854-1005	4	Washer, Lock - IT (#6)
					358-0096	1	Rectifier (Not Illustrated)
					358-0097	1	Rectifier (Not Illustrated)
					364-0009	2	Rectifier (Not Illustrated)
				4	321-0038	1	Fuse
				5	305-0458	4	Spacer
					812-0061	4	Screw, Machine - Round Head (#6-32 x 3/8")
					854-1005	4	Washer, Lock - IT (#6)
				6	305-0454	1	Chassis

Alternator
Used With Remote Voltage Regulator

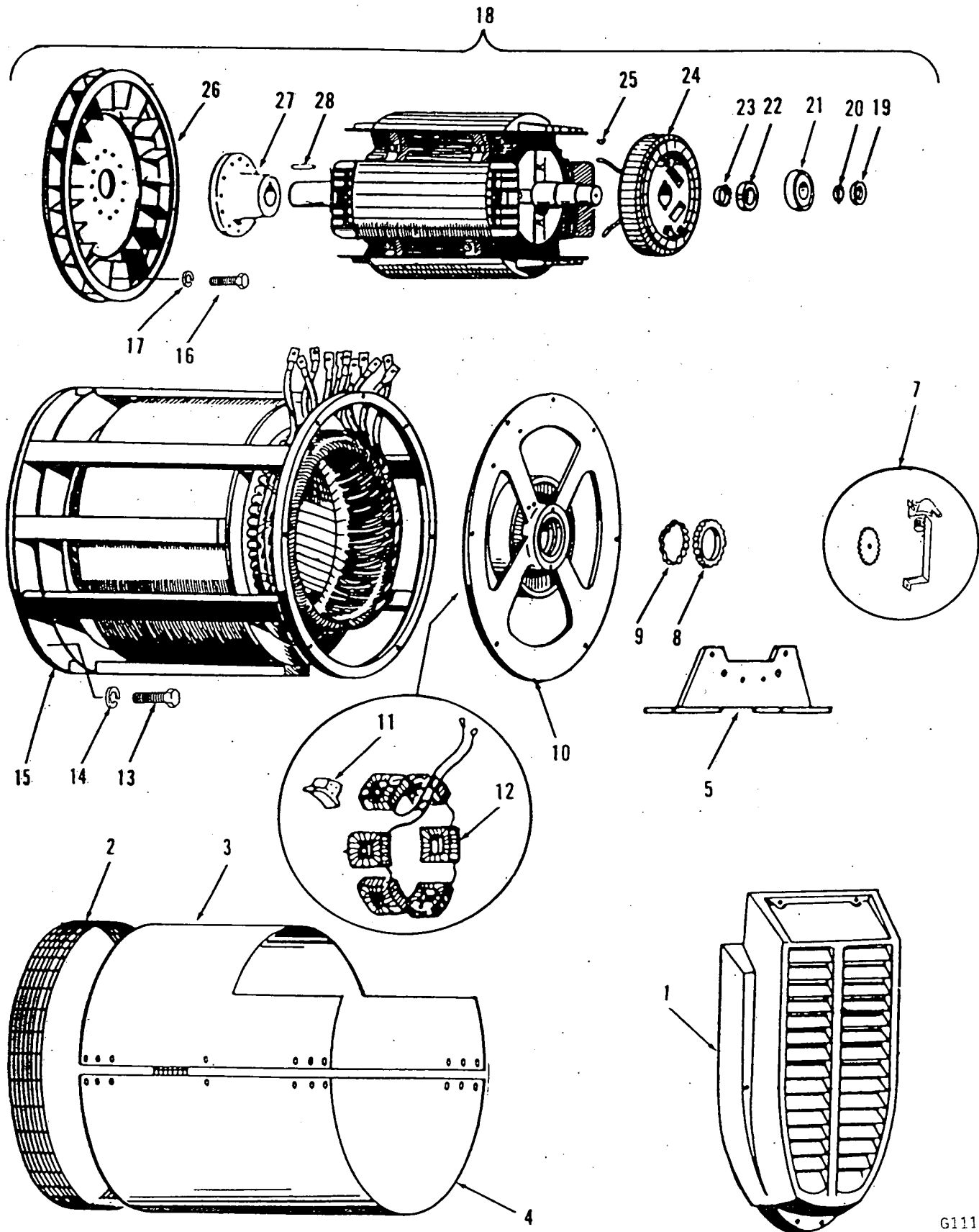
18



**Alternator
Used With Remote Voltage Regulator**

REF NO.	PART NO.	QTY USED	PART DESCRIPTION	REF NO.	PART NO.	QTY USED	PART DESCRIPTION
1	232-1973	1	Grille	15			Stator (Includes Bus Bars -
	520-0692	2	Stud (5/16-18)				See Separate Page
	800-0009	4	Screw, Cap - Hex Head (1/4-20 x 1-1/2")		220-2764	1	for Bus Bar Components)
	800-0013	2	Screw, Cap - Hex Head (1/4-20 x 2-1/2")		220-2763	1	330kW, Code 519
	850-0040	6	Washer, Lock - Spring (1/4")		220-2766	1	330kW, Code 520
	850-0070	4	Washer, Lock - Spring (5/16")		220-2765	1	330kW, Code 521
	862-0007	4	Nut, Hex (5/16-18)		220-3275	1	330kW, Code 522
2	234-0272	1	Screen		220-2755	1	400kW, Code 31
	800-0003	2	Screw, Cap - Hex Head (1/4-20 x 1/2")		220-2756	1	400kW, Code 4
	850-0040	2	Washer, Lock - Spring (1/4")		220-2759	1	400kW, Code 4X
3			Band, Top		220-2759	1	400kW, Code 5
	234-0288	1	400(330)kW		220-2779	1	400kW, Code 519
	234-0289	1	450(400)kW		220-2778	1	400kW, Code 520
	234-0290	1	500(450)kW		220-2781	1	400kW, Code 521
	234-0291	1	600(500)kW		220-2780	1	400kW, Code 522
	234-0292	1	750(625)kW		220-2760	1	400kW, Code 6
	800-0026	2	Screw, Cap - Hex Head (5/16-18 x 3/4")		220-2761	1	400kW, Code 7
	850-0045	2	Washer, Lock - Spring (5/16")		220-2754	1	400kW, Code 7X
4			Band, Bottom		220-2758	1	400kW, Code 9X
	234-0278	1	400(330)kW		220-2757	1	400kW, 139/240V
	234-0279	1	450(400)kW		220-3290	1	450kW, Code 31
	234-0280	1	500(450)kW		220-2770	1	450kW, Code 4
	234-0281	1	600(500)kW		220-2771	1	450kW, Code 4X
	234-0282	1	750(625)kW		220-2774	1	450kW, Code 5
	800-0026	2	Screw, Cap - Hex Head (5/16-18 x 3/4")		220-2794	1	450kW, Code 519
	850-0045	2	Washer, Lock - Spring (5/16")		220-2793	1	450kW, Code 520
5			Support		220-2796	1	450kW, Code 521
	232-1957	1	Bolt, Cap - Hex Head (5/8-11 x 1-1/2")		220-2795	1	450kW, Code 522
	805-0035	2	Sensor, Over Speed (See Separate Page for Components)		220-2775	1	450kW, Code 6
7			Holder, Bearing		220-2776	1	450kW, Code 7
	232-1923	1	Spring, Holder		220-2769	1	450kW, Code 7X
	232-1924	1	Bell, End (Includes Coil and Pole Shoes)		220-2773	1	450kW, Code 9X
10	211-0170	1	Shoe, Pole		220-2772	1	450kW, Code 139/240V
11	221-0153	6	Screw, Cap - Hex Head (5/16-18 x 1-1/2")		220-3305	1	500kW, Code 31
	800-0031	12	Set, Coil - Field		220-2785	1	500kW, Code 4
12	222-1693	1	Screw, Cap - Hex Head (1/2-13 x 1-1/2")		220-2786	1	500kW, Code 4X
13	800-0092	16	Washer, Lock - Spring (1/2")		220-2789	1	500kW, Code 5
14	850-0060	16			220-2809	1	500kW, Code 519
					220-2808	1	500kW, Code 520
					220-2811	1	500kW, Code 521
					220-2810	1	500kW, Code 522
					220-2790	1	500kW, Code 6
					220-2791	1	500kW, Code 7
					220-2784	1	500kW, Code 7X
					220-2788	1	500kW, Code 9X
					220-2787	1	500kW, 139/240V
					220-3320	1	600kW, Code 31
					220-2800	1	600kW, Code 4
					220-2801	1	600kW, Code 4X
					220-2804	1	600kW, Code 5
					220-2805	1	600kW, Code 6
					220-2806	1	600kW, Code 7
					220-2799	1	600kW, Code 7X
					220-2803	1	600kW, Code 9X
					220-2802	1	600kW, 139/240V

Alternator
Used With Remote Voltage Regulator

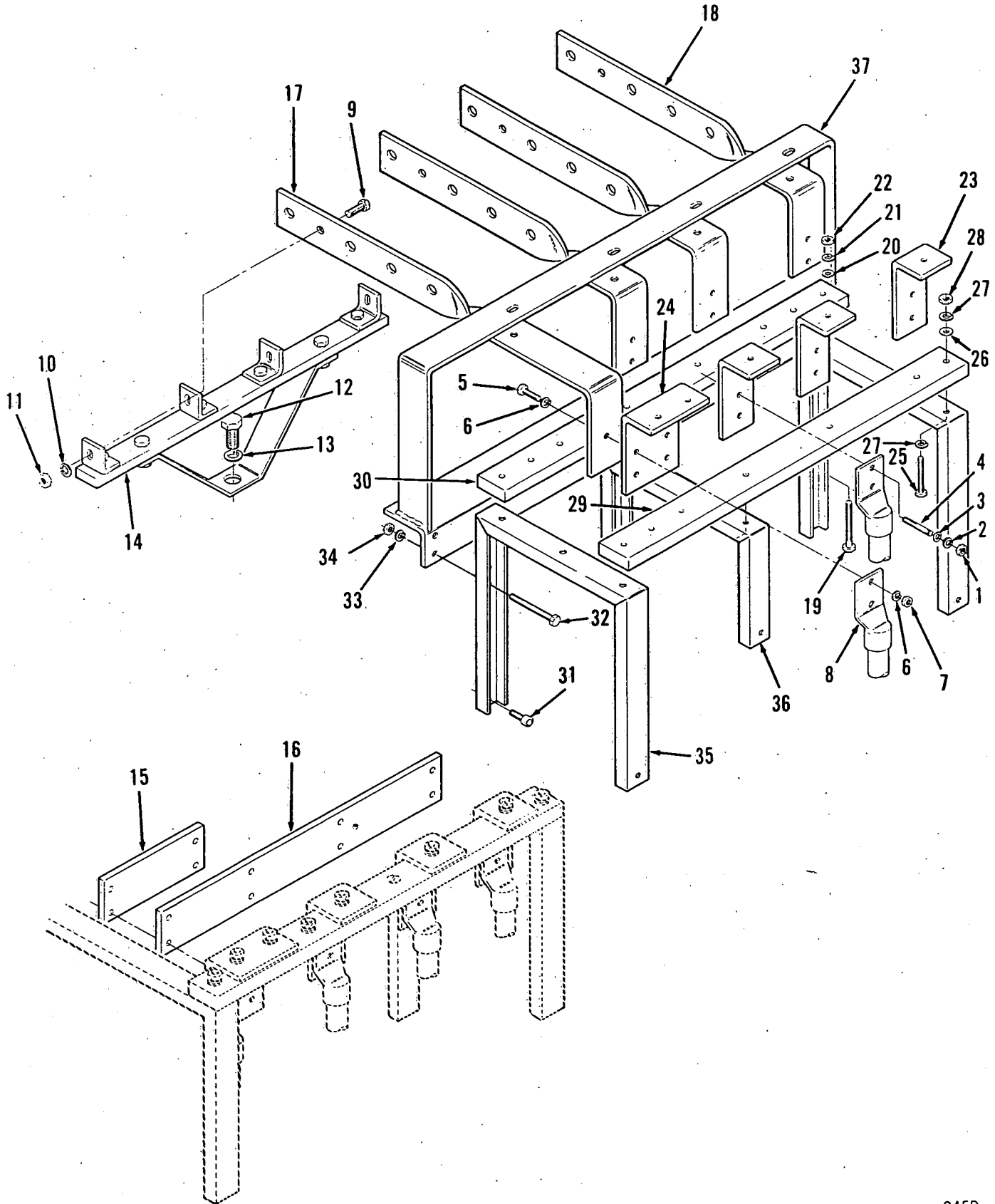


**Alternator
Used With Remote Voltage Regulator**

REF NO.	PART NO.	QTY USED	PART DESCRIPTION	REF NO.	PART NO.	QTY USED	PART DESCRIPTION
	220-2824	1	625kW, Code 519		201-1786	1	450kW, Codes 7, 7X, 9X
	220-2823	1	625kW, Code 520		201-1788	1	500kW, Codes 31, 139/240V
	220-2826	1	625kW, Code 521		201-1788	1	500kW, Codes 4, 4X, 5, 6,
	220-2825	1	625kW, Code 522		201-1791	1	500kW, Codes 519, 520,
	220-3335	1	750kW, Code 31		201-1791	1	500kW, Codes 521, 522
	220-2815	1	750kW, Code 4		201-1788	1	500kW, Codes 7, 7X, 9X
	220-2816	1	750kW, Code 4X		201-1790	1	600kW, Codes 31, 139/240V
	220-2819	1	750kW, Code 5		201-1790	1	600kW, Codes 4, 4X, 5, 6,
	220-2820	1	750kW, Code 6		201-1790	1	600kW, Codes 7, 7X, 9X
	220-2821	1	750kW, Code 7		201-1793	1	625kW, Codes 519, 520,
	220-2814	1	750kW, Code 7X		201-1793	1	625kW, Codes 521, 522
	220-2818	1	750kW, Code 9X		201-1792	1	750kW, Codes 31, 139/240V
	220-2816	1	750kW, 139/240V		201-1792	1	750kW, Codes 4, 4X, 5, 6,
16	800-0133	6	Screw, Cap - Hex Head (5/8-11 x 1-3/4")		201-1792	1	750kW, Codes 7, 7X, 9X
17	850-0070	6	Washer, Lock - Spring (5/8")	19	510-0091	1	*Nut, Locking - Bearing
18			Rotor (Includes Parts Marked *)	20	510-0093	1	*Washer, Locking - Nut
	201-1785	1	330kW, Codes 519, 520,	21	510-0090	1	*Bearing, Ball
	201-1785	1	330kW, Codes 521, 522	22	510-0092	1	*Nut, Locking - Exciter
	201-1784	1	400kW, Codes 31, 139/240V	23	510-0094	1	*Washer, Locking - Nut
	201-1784	1	400kW, Codes 4, 4X, 5, 6,	24			*Rotor, Exciter (See Separate Page for Components)
	201-1789	1	400kW, Codes 519, 520,		201-1501	1	60 Hertz
	201-1787	1	400kW, Codes 519, 520,		201-1549	1	50 Hertz
	201-1789	1	400kW, Codes 521, 522	25	515-0162	1	*Key
	201-1787	1	400kW, Codes 521, 522	26	232-2833	1	*Disk and Fan Assembly
	201-1784	1	400kW, Codes 7, 7X, 9X,		805-0035	12	*Bolt, Cap - Hex Head (5/8-11 x 1-1/2")
	201-1786	1	450kW, Codes 31, 139/240V	27	232-1870	1	*Hub
	201-1786	1	450kW, Codes 4, 4X, 5, 6,	28	515-0161	1	*Key

* - Parts included in Rotor.

Bus Bar Components
Dual Insulator Bars



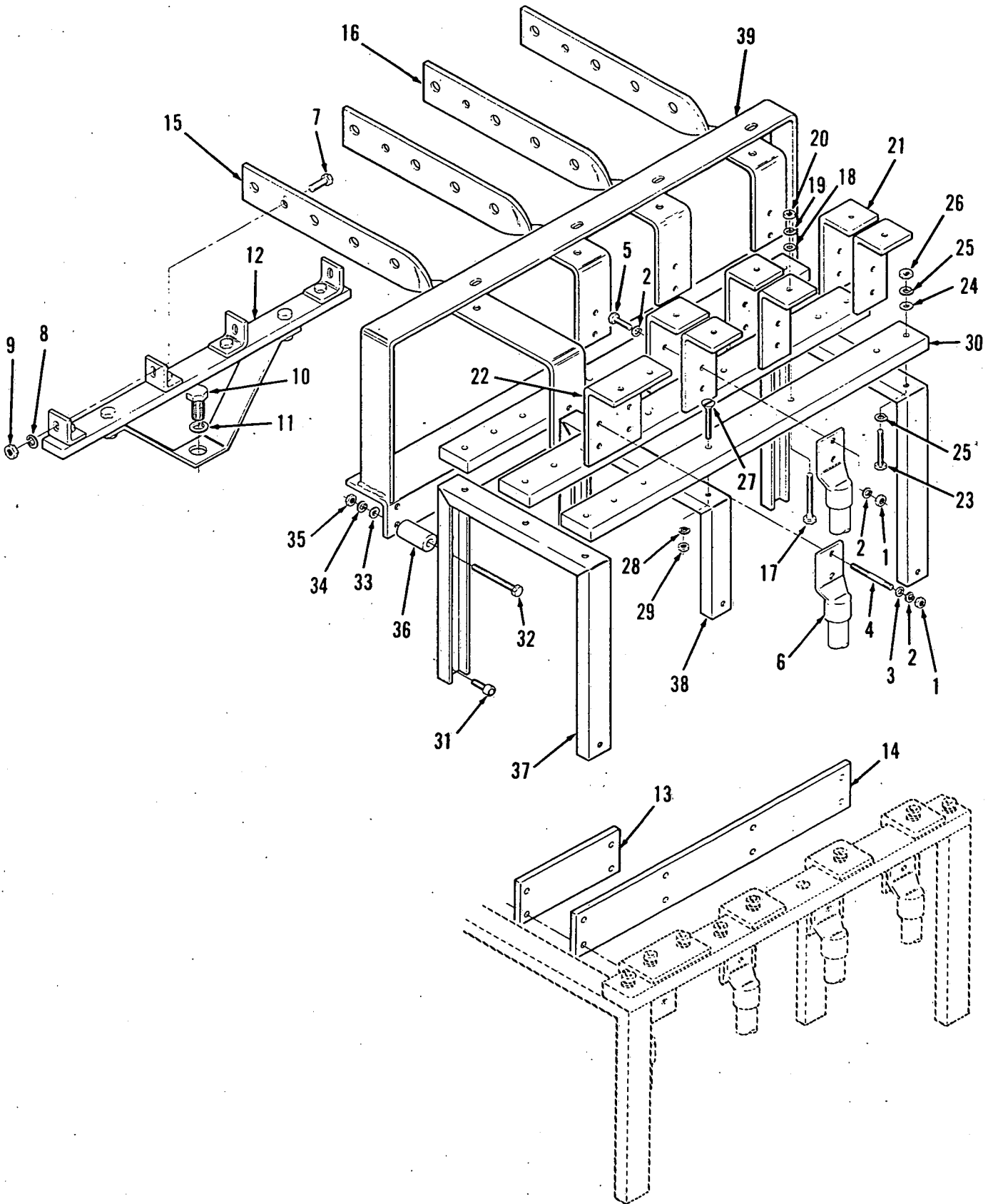
245D

Bus Bar Components Dual Insulator Bars

REF NO.	PART NO.	QTY USED	PART DESCRIPTION	REF NO.	PART NO.	QTY USED	PART DESCRIPTION
1	862-0015	32	#Nut, Hex (5/16-18)	17			*Bar, Bus
2	850-0045	32	#Washer, Lock - Spring (5/16")	232-1996	1	1	1/4"W x 17-3/8"Lg
3	526-0115	32	#Washer, Flat (5/16")	232-2852	1	1	1/2"W x 19-1/8"Lg
4	520-0693	16	#Stud	18			*Bar, Bus
5	800-0052	16	@Screw, Cap - Hex Head (3/8-16 x 1-1/2")	232-2001	3	3	1/4"W x 13-1/4"Lg
6	850-0050	32	@Washer, Lock - Spring (3/8")	232-2853	3	3	1/2"W x 15-1/2"LG
7	862-0003	32	@Nut, Hex (3/8-16)	19			Screw, Cap - Hex Head
8			Terminal	800-0052	9	9	(3/8-16 x 1-1/2")
	332-1151	12	#2 Wire Size	800-0053	9	9	(3/8-16 x 1-3/4")
	332-1152	12	#1/0 Wire Size	800-0054	9	9	(3/8-16 x 2")
	332-1153	12	#2/0 Wire Size	20	526-0029	18	Washer, Flat (3/8")
	332-1154	12	#3/0 Wire Size	21	850-0050	9	Washer, Lock - Spring (3/8")
	332-1155	12	#4/0 Wire Size	22	862-0003	9	Nut, Hex (3/8-16)
	332-1156	12	250 Mil Wire Size	23	232-1990	3	*Bar, Bus
	332-1157	12	300 Mil Wire Size	24	232-1991	1	*Bar, Bus
	332-1158	12	350 Mil Wire Size	25	800-0052	6	Screw, Cap - Hex Head (3/8-16 x 1-1/2")
9	800-0005	4	Screw, Cap - Hex Head (1/4-20 x 3/4")	26	526-0029	12	Washer, Flat (3/8")
10	850-0040	4	Washer, Lock - Spring (1/4")	27	850-0050	6	Washer, Lock - Spring (3/8")
11	862-0001	4	Nut, Hex (1/4-20)	28	862-0003	6	Nut, Hex (3/8-16)
12	800-0151	1	Screw, Cap - Hex Head (3/4-10 x 1")	29	232-1998	1	Board, Insulating
13	850-0079	1	Washer, Lock - Spring (3/4")	30	232-1995	1	Board, Insulating
14		1	Support, Bus Bar (See Separate Page for Components	31	802-0069	6	Screw, Cap - Socket Head (3/8-16 x 5/8")
15	232-2005	1	Bar, Bus - Jumper (Used on Delta Applications)	32	800-0005	6	Screw, Cap - Hex Head (1/4-20 x 3/4")
16	232-1993	1	Bar, Bus - Jumper (Used on Parallel Wye Applications)	33	850-0040	6	Washer, Lock - Spring (1/4")
				34	862-0001	6	Nut, Hex (1/4-20)
				35	232-1999	2	Bracket, Mounting
				36	232-2000	1	Bracket, Mounting
				37	315-0302	1	Shelf - Current Transformer

- Terminal Hardware used thru June 1981.
 @ - Terminal Hardware used beginning July 1981.
 * - NOTE: Bus Bars contained tapped holes thru June 1981, beginning July 1981 the Terminal mounting holes were drilled out, requiring hardware marked @.

Bus Bar Components
Triple Insulator Bars

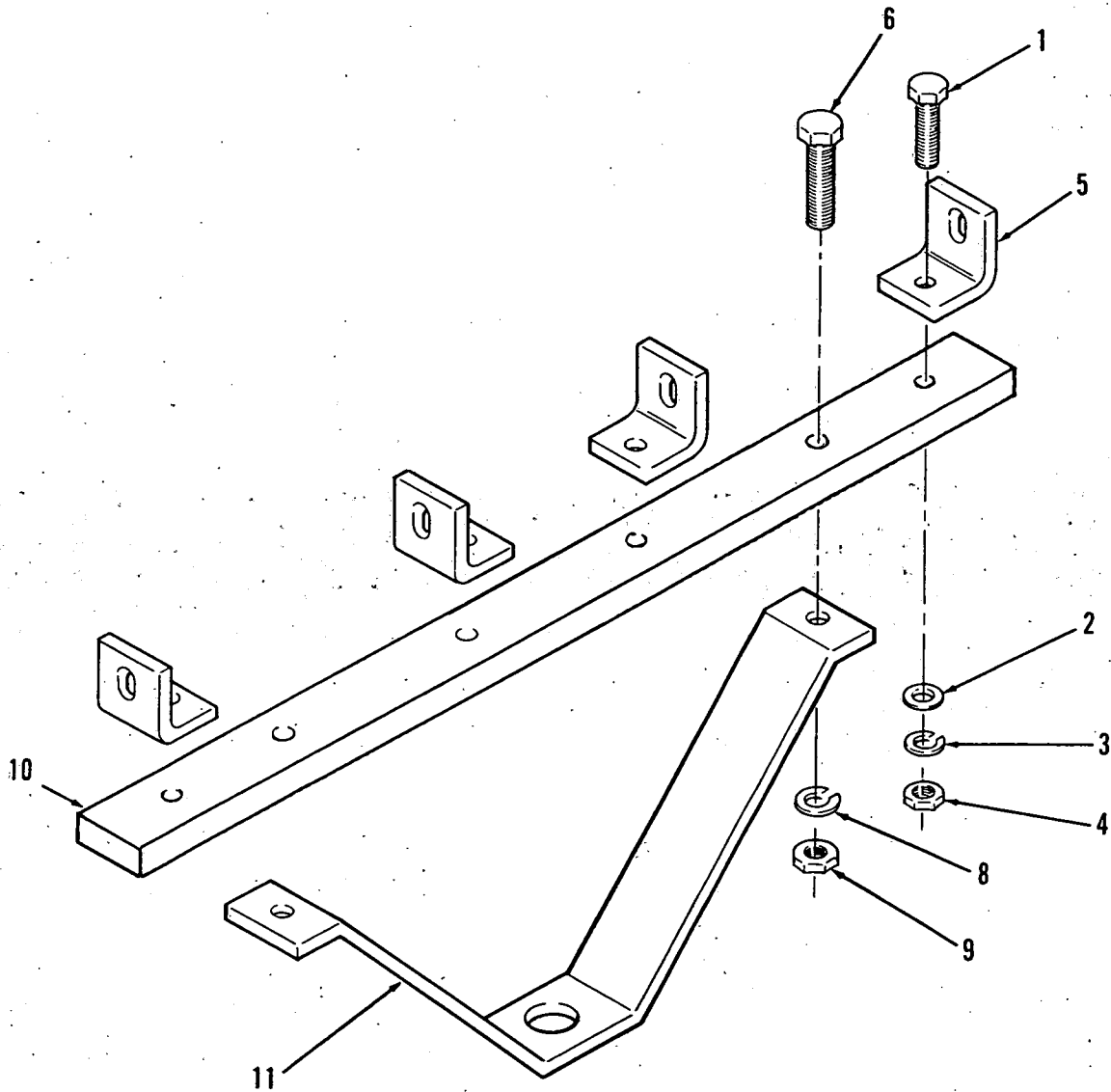


2280

**Bus Bar Components
Triple Insulator Bars**

REF NO.	PART NO.	QTY USED	PART DESCRIPTION	REF NO.	PART NO.	QTY USED	PART DESCRIPTION
1	862-0015	24	Nut, Hex (5/16-18)	16	232-2249	3	Bar, Bus (1/4" x 13-1/4")
2	850-0045	44	Washer, Lock - Spring (5/16")	17	800-0562	11	Screw, Cap - Hex Head (3/8-16 x 2")
3	526-0115	24	Washer, Flat (5/16")	18	526-0029	11	Washer, Flat (3/8")
4	520-0693	2	Stud	19	850-0050	11	Washer, Lock - Spring (3/8")
5	800-0028	20	Screw, Cap - Hex Head (5/16-18 x 1")	20	862-0003	11	Nut, Hex (3/8-16)
6			Terminal	21	232-2758	6	Bar, Bus
	332-1151	12	#2 Wire Size	22	232-2759	1	Bar, Bus
	332-1152	12	#1/0 Wire Size	23	800-0052	8	Screw, Cap - Hex Head (3/8-16 x 1-1/2")
	332-1153	12	#2/0 Wire Size	24	526-0029	16	Washer, Flat (3/8")
	332-1154	12	#3/0 Wire Size	25	850-0050	8	Washer, Lock - Spring (3/8")
	332-1155	12	#4/0 Wire Size	26	862-0003	8	Nut, Hex (3/8-16)
	332-1156	12	250 Mil Wire Size	27	814-0182	1	Screw, Machine - Flat Head (5/16-18 x 1-1/2")
	332-1157	12	300 Mil Wire Size	28	850-0045	1	Washer, Lock - Spring (5/16")
	332-1158	12	350 Mil Wire Size	29	862-0015	1	Nut, Hex (5/16-18)
7	800-0005	4	Screw, Cap - Hex Head (1/4-20 x 3/4")	30	232-1998	3	Board, Insulating
8	850-0040	4	Washer, Lock - Spring (1/4")	31	802-0069	6	Screw, Cap - Socket Head (3/8-16 x 5/8")
9	862-0001	4	Nut, Hex (1/4-20)	32	800-0012	4	Screw, Cap - Hex Head (1/4-20 x 2-1/4")
10	800-0151	1	Screw, Cap - Hex Head (3/4-10 x 1")	33	526-0018	4	Washer, Flat (1/4")
11	850-0079	1	Washer, Lock - Spring (3/4")	34	850-0040	4	Washer, Lock - Spring (1/4")
12		1	Support, Bus Bar (See Separate Page for Components)	35	862-0001	4	Nut, Hex (1/4-20)
13	232-2005	1	Bar, Bus - Jumper (Used on Delta Applications)	36	232-2754	4	Spacer
14	232-1993	1	Bar, Bus - Jumper (Used on Parallel Wye Applications)	37	232-2752	2	Bracket, Mounting
15	232-1996	1	Bar, Bus (1/4" x 17-3/8")	38	232-2753	1	Bracket, Mounting
				39	301-5297	1	Shelf - Current Transformer

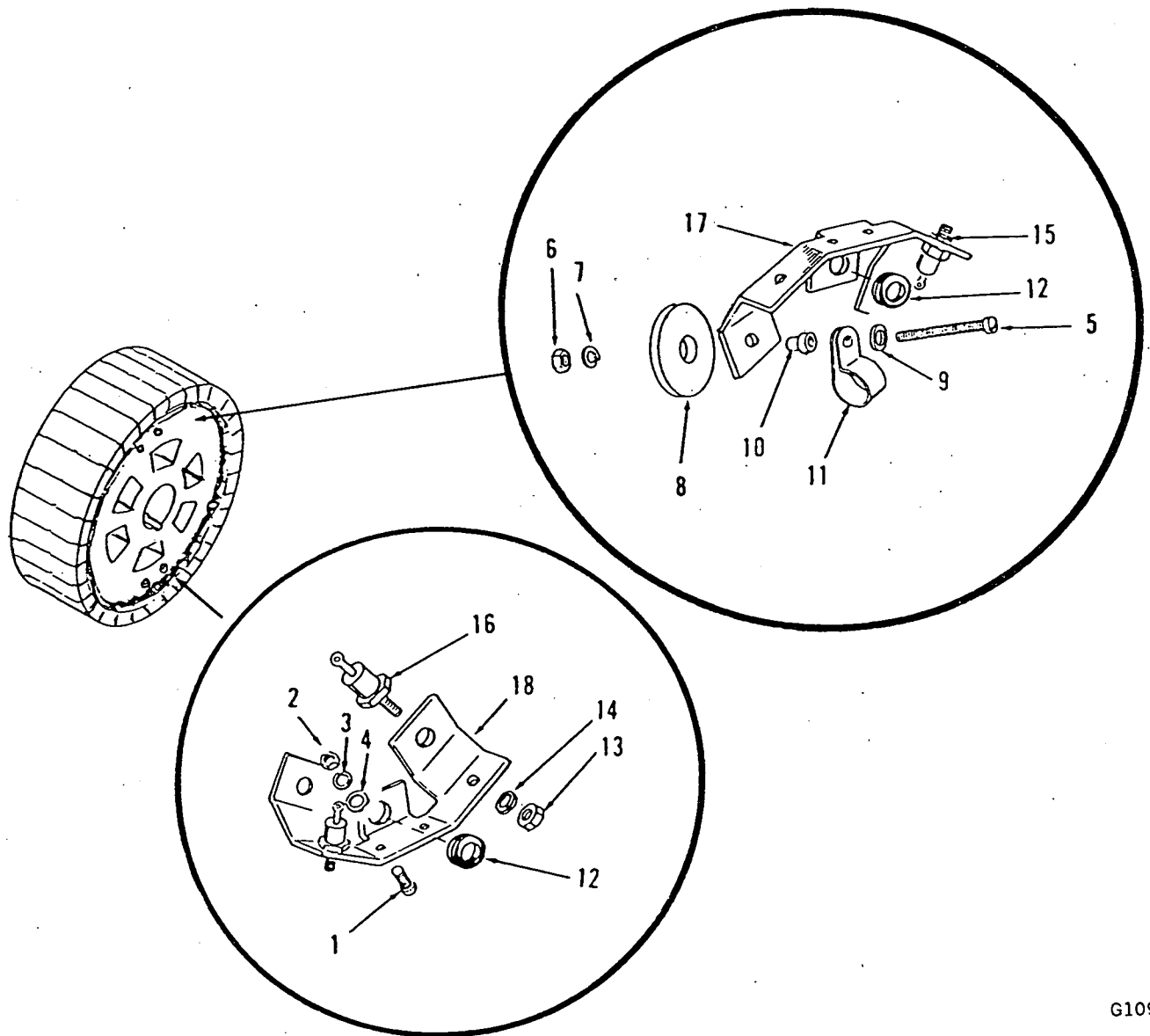
Support Components



244A

REF NO.	PART NO.	QTY USED	PART DESCRIPTION	REF NO.	PART NO.	QTY USED	PART DESCRIPTION
1	800-0007	4	Screw, Cap - Hex Head (1/4-20 x 1")	6	800-0051	2	Screw, Cap - Hex Head
2	526-0018	4	Washer, Flat (1/4")	7	526-0029	2	Washer, Flat (3/8")
3	850-0040	4	Washer, Lock - Spring (1/4")	8	850-0050	2	Washer, Lock - Spring (3/8")
4	862-0001	4	Nut, Hex (1/4-20)	9	862-0003	2	Nut, Hex (3/8-16)
5	232-1992	4	Bracket	10	232-1997	1	Board, Insulating
				11	232-1994	1	Bracket, Support

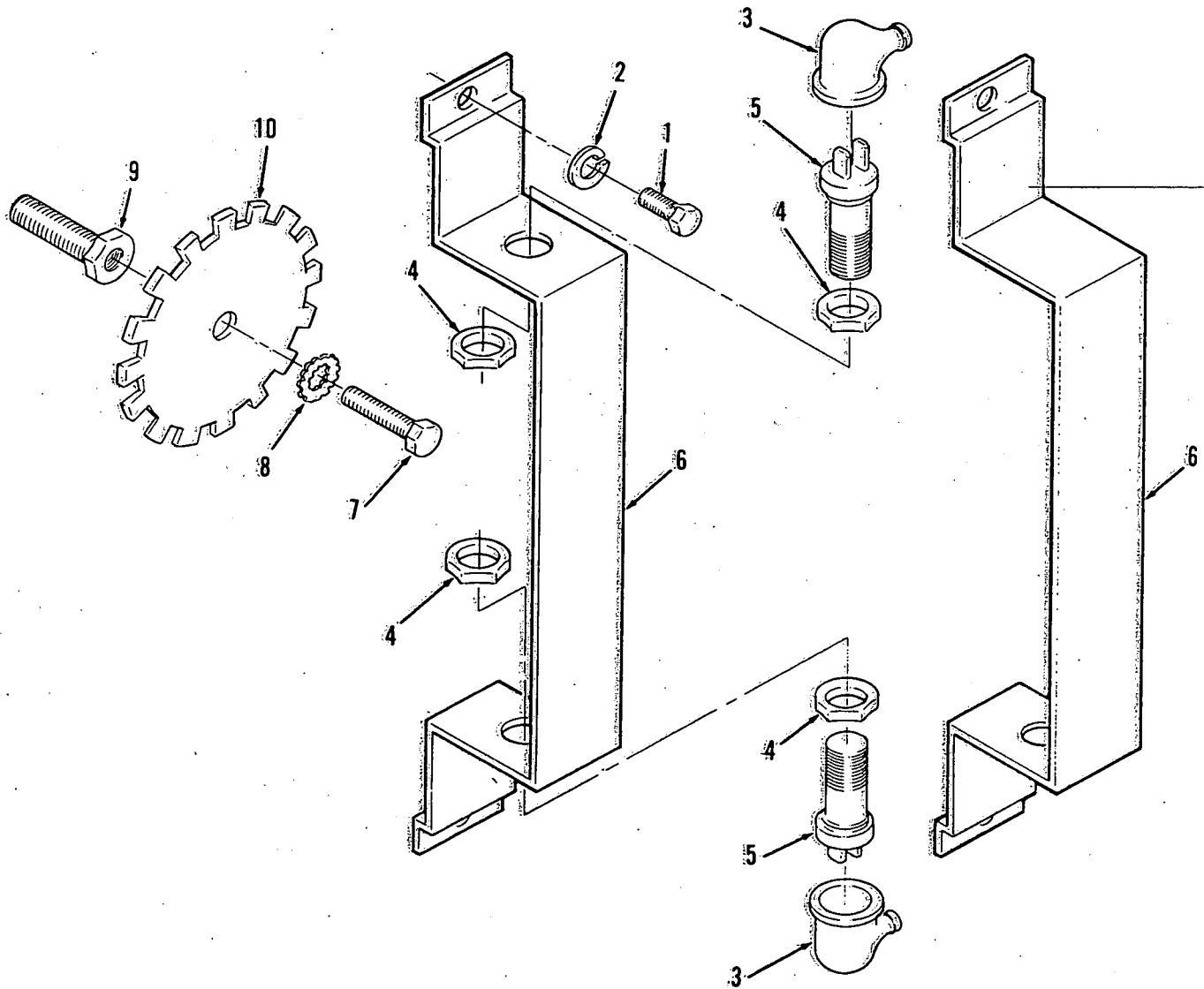
Exciter Rotor Components



G1092

REF NO.	PART NO.	QTY USED	PART DESCRIPTION	REF NO.	PART NO.	QTY USED	PART DESCRIPTION
	201-1501	1	Rotor, Exciter - 60 Hz	9	526-0009	4	Washer, Flat (7/32"ID x 1/2"OD x 1/16"THK)
	201-1549	1	Rotor, Exciter - 50 Hz	10	508-0124	4	Spacer, Stepped
1	813-0100	2	Screw, Machine - Round Head (#10-32 x 1/2")	11	332-0050	2	Clamp, Loop
2	870-0053	2	Nut, Hex (#10-32)	12	508-0093	2	Grommet, Rubber
3	850-0030	2	Washer, Lock - Spring (#10)	13	868-0001	6	Nut, Hex (1/4-28)
4	526-0008	2	Washer, Flat (13/64"ID x 7/16"OD x 1/32"THK)	14	850-0040	6	Washer, Lock - Spring (1/4")
5	813-0114	4	Screw, Machine - Round Head (#10-32 x 3")	15	358-0011	3	Rectifier, Diode - Positive (CR1, CR2, CR3)
6	870-0053	4	Nut, Hex (#10-32)	16	358-0012	3	Rectifier, Diode - Negative (CR4, CR5, CR6)
7	850-0030	4	Washer, Lock - Spring (#10)	17	363-0025	1	Sink, Heat - Positive
8	508-0156	4	Washer, Insulating	18	363-0033	1	Sink, Heat - Negative

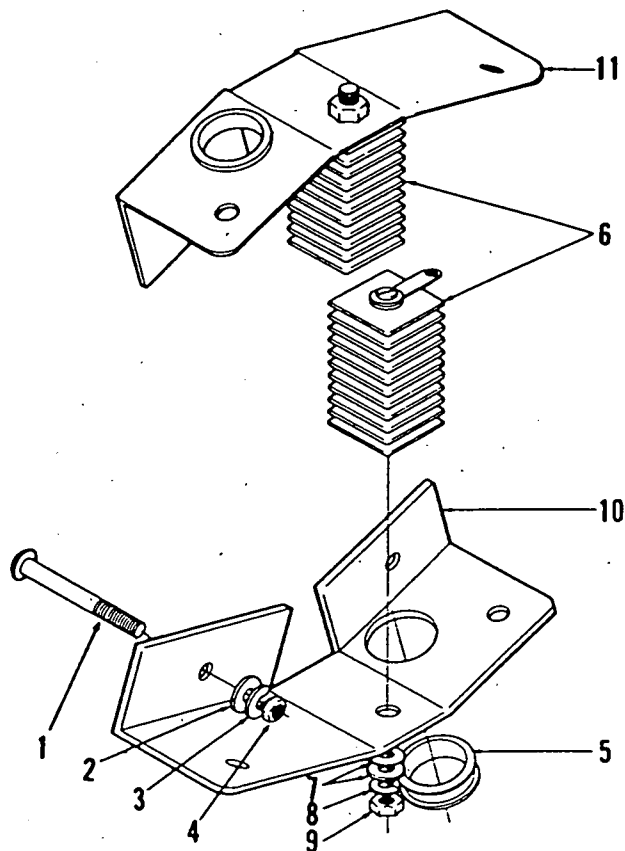
Over Speed Sensor Components



.242A

REF NO.	PART NO.	QTY USED	PART DESCRIPTION	REF NO.	PART NO.	QTY USED	PART DESCRIPTION
1	800-0003	2	Screw, Cap - Hex Head (1/4-20 x 1/2")	6		1	Bracket
2	850-0040	2	Washer, Lock - Spring (1/4")	150-1556		1	Standard
3			Cap, Insulating	150-1878		1	Dual Application
	150-1410	1	Standard	7	800-0050	1	Screw, Cap - Hex Head (3/8-16 x 1")
	150-1410	2	Dual Application	8	856-0010	1	Washer, Lock - EIT (3/8")
4	868-0011	4	Nut, Hex - Jam (3/4-16)	9	800-0513	1	Screw, Cap - Hex Head Modified with Tapped Hole
5			Sensor	10	150-1557	1	Wheel - Speed Sensor
	150-1406	1	Standard				
	150-1406	2	Dual Application				

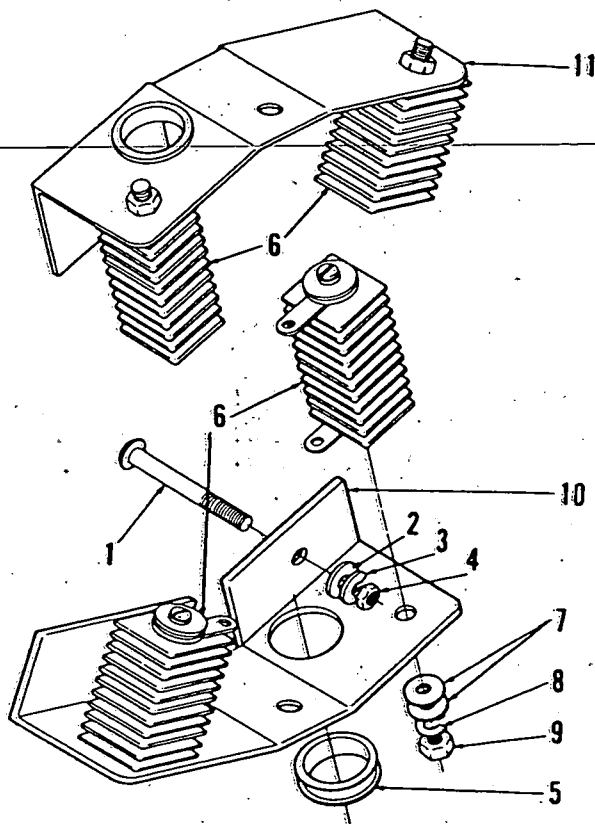
Voltage Suppressor Components



XES1229

REF NO.	PART NO.	QTY USED	PART DESCRIPTION	REF NO.	PART NO.	QTY USED	PART DESCRIPTION
	232-2445	1	Suppressor, Voltage	6	305-0526	1	Set, Voltage Suppressor
1	813-0120	4	Screw, Machine - Round Head (#10-32 x 3-1/2")	7	526-0140	4	Washer, Flat (#10)
2	526-0140	4	Washer, Flat (#10)	8	850-0030	4	Washer, Lock - Spring (#10)
3	850-0030	4	Washer, Lock - Spring (#10)	9	870-0053	4	Nut, Hex (#10-32)
4	870-0053	4	Nut, Hex (#10-32)	10	363-0025	1	Sink, Heat - Positive
5	508-0093	2	Grommet	11	363-0033	1	Sink, Heat - Positive

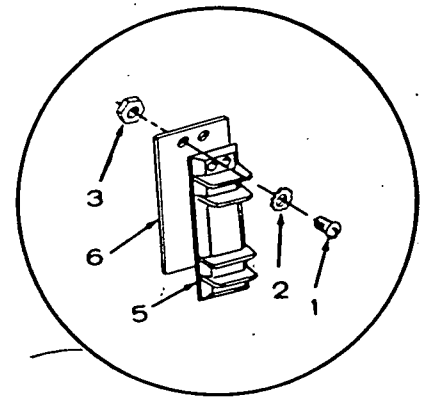
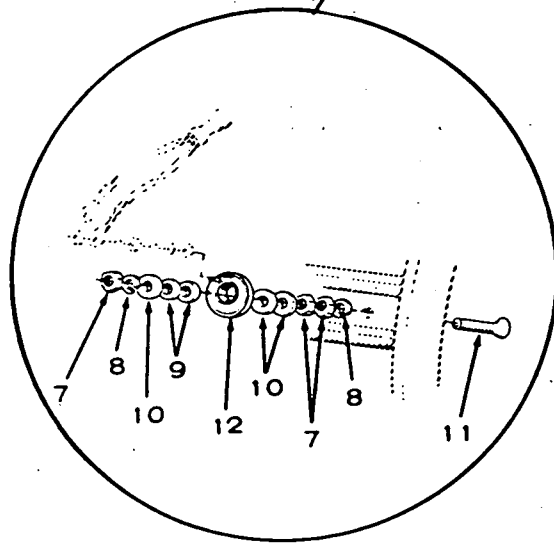
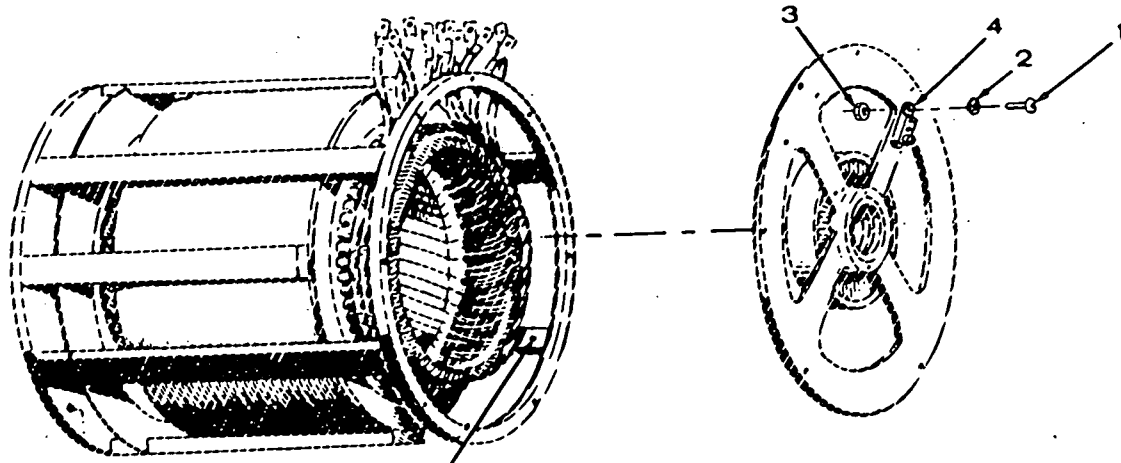
Dual Voltage Suppressor Components



XES1230

REF NO.	PART NO.	QTY USED	PART DESCRIPTION	REF NO.	PART NO.	QTY USED	PART DESCRIPTION
	232-2766	1	Suppressor, Voltage - Dual	6	305-0526	2	Set, Voltage Suppressor
1	813-0120	8	Screw, Machine - Round Head (#10-32 x 3-1/2")	7	526-0140	8	Washer, Flat (#10)
2	526-0140	8	Washer, Flat (#10)	8	850-0030	8	Washer, Lock - Spring (#10)
3	850-0030	8	Washer, Lock - Spring (#10)	9	870-0053	8	Nut, Hex (#10-32)
4	870-0053	8	Nut, Hex (#10-32)	10	363-0025	1	Sink, Heat - Positive
5	508-0093	2	Grommet	11	363-0033	1	Sink, Heat - Positive

Heater Components



G1101

REF NO.	PART NO.	QTY USED	PART DESCRIPTION	REF NO.	PART NO.	QTY USED	PART DESCRIPTION
1	812-0068	4	Screw, Machine - Round Head (#6-32 x 1")	8	850-0050	4	Washer, Lock - Spring (3/8")
2	853-0003	4	Washer, Lock - ET (#6)	9	526-0029	4	Washer, Flat (3/8")
3	860-0005	4	Nut, Hex (#6-32)	10	526-0123	6	Washer, Flat (1-1/4"OD)
4	309-0128	1	Thermostat	11	814-0203	2	Screw, Machine - Flat Head (3/8-16 x 2")
5	332-0333	1	Block, Terminal	12	333-0059	2	Heater, Electrical (125 Watt, 120 VAC)
6	332-0499	1	Strip, Marker				
7	862-0003	6	Nut, Hex (3/8-16)				



Onan Corporation
1400 73rd Avenue N.E.
Minneapolis, Minnesota 55432

Telephone: (612) 574-5000
Telex: 275477
Cable ONAN