

The following catalog has gaps in its page numbers, or doesn't have any numbers. We have chosen to leave the page numbering in the order that Acrobat assigns it.

FICHE LOCATION

ILLUSTRATION

1 A3 ***** DATA TABLE
1 A13 ***** CONTROL GROUP
1 A11 ***** EXCITER
1 A5 ***** FUEL SYSTEM & MISCELLANEOUS PARTS GROUP
1 A9 ***** GENERATOR GROUP (ALTERNATOR PORTION)
1 A7 ***** HEAT EXCHANGER GROUP
1 A5 ***** MOUNTING GROUP
1 A7 ***** OIL DRAIN & OPTIONAL KEEL COOLING GROUP

SPECIAL PARTS SECTION FOR 50MDEG-3E3836/ 50MDEG-4E3836/ 50MDEG-5DE3836/ WORKBOAT MODELS

1 A13 ***** CONTROL GROUP

PARTS CATALOG

This catalog applies to the standard MDEG plants as listed below. Powered by a Ford model 2704E, spec C5PL engine (see Ford Manual). Engine parts modified or added by *Onan* will be in this list and have *Onan* part numbers. These supersede similar parts listed in the Ford manual. *Onan* parts are arranged in groups of related items and are identified by a reference. All parts illustrations are typical. Unless otherwise mentioned, parts are interchangeable. Right and left plant sides are determined by facing the front end of the engine.

PLANT DATA TABLE

MODEL AND SPEC NO.*	ELECTRICAL DATA				
	WATTS***	VOLTS	CYCLES	PHASE	WIRE
40MDEG-54R/	40,000	120/208	50	3	3
40MDEG-55DR/**	40,000	120/240	50	3	4
40MDEG-57R/	40,000	220/380	50	3	4
50MDEG-3R/	50,000	120/240	60	1	3
50MDEG-4R/	50,000	120/208	60	3	4
50MDEG-5DR/**	50,000	120/240	60	3	4
50MDEG-4XR/	50,000	277/480	60	3	4
50MDEG-7R/	50,000	220/380	60	3	4
50MDEG-9R/	50,000	600	60	3	3

* - The Specification Letter advances (A to B, B to C, etc.) with manufacturing changes.

** - This is a delta-wound 240-volt model with one phase center-tapped. A limited amount of 1-phase, 120/240-volt power can be utilized together with 3-phase power as long as no terminal current exceeds the rated nameplate current.

*** - Maximum rating is shown. Continuous rating also appears on nameplate.

REPLACEMENT ENGINE

100P709

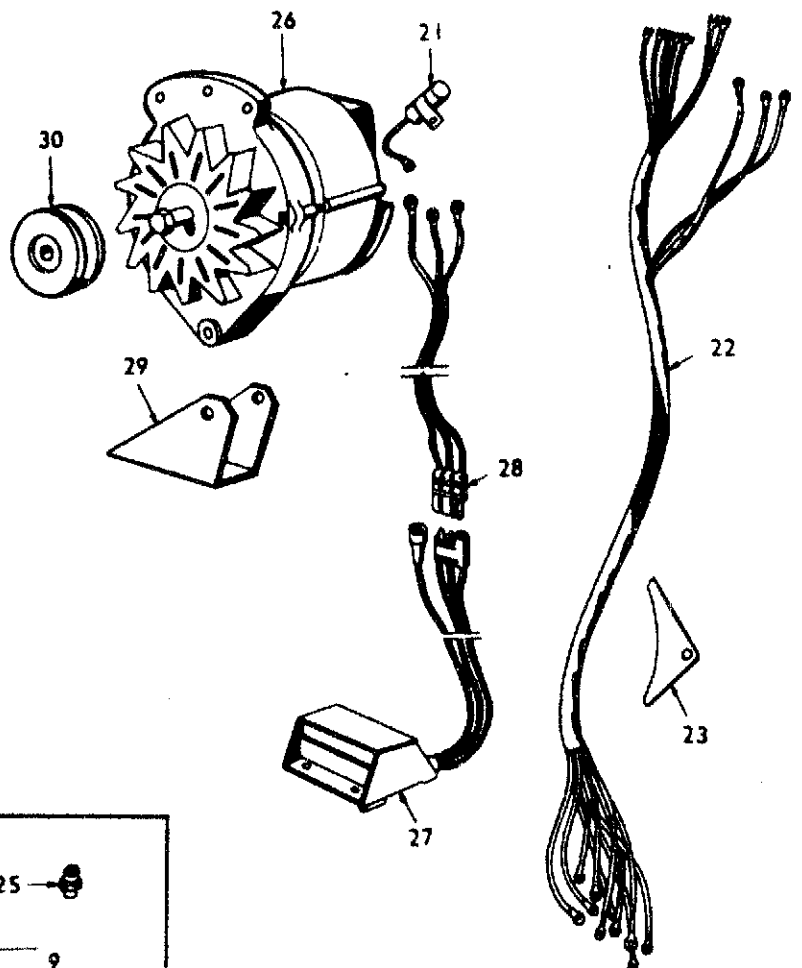
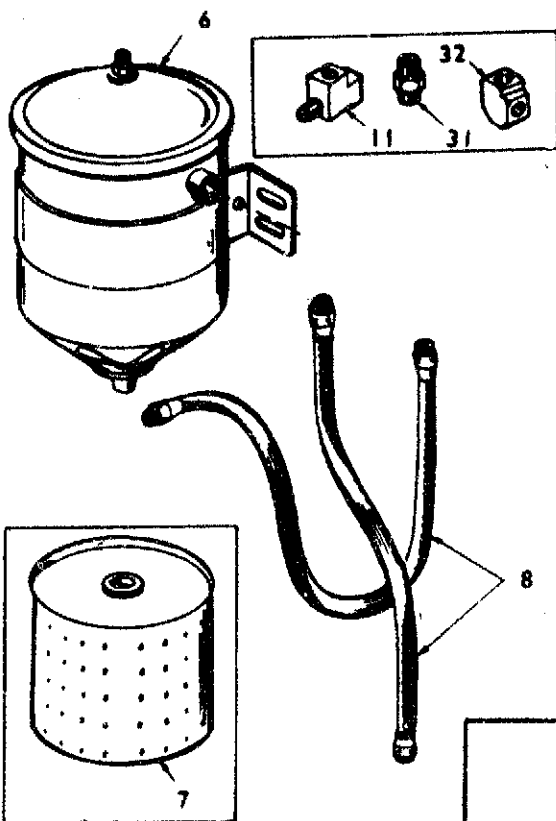
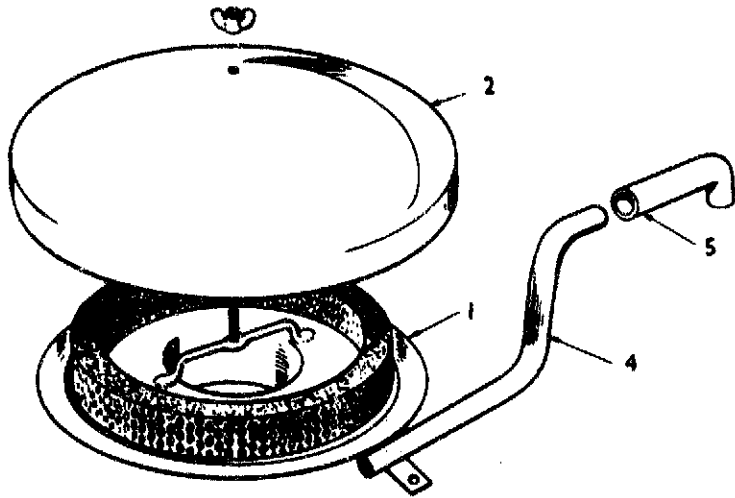
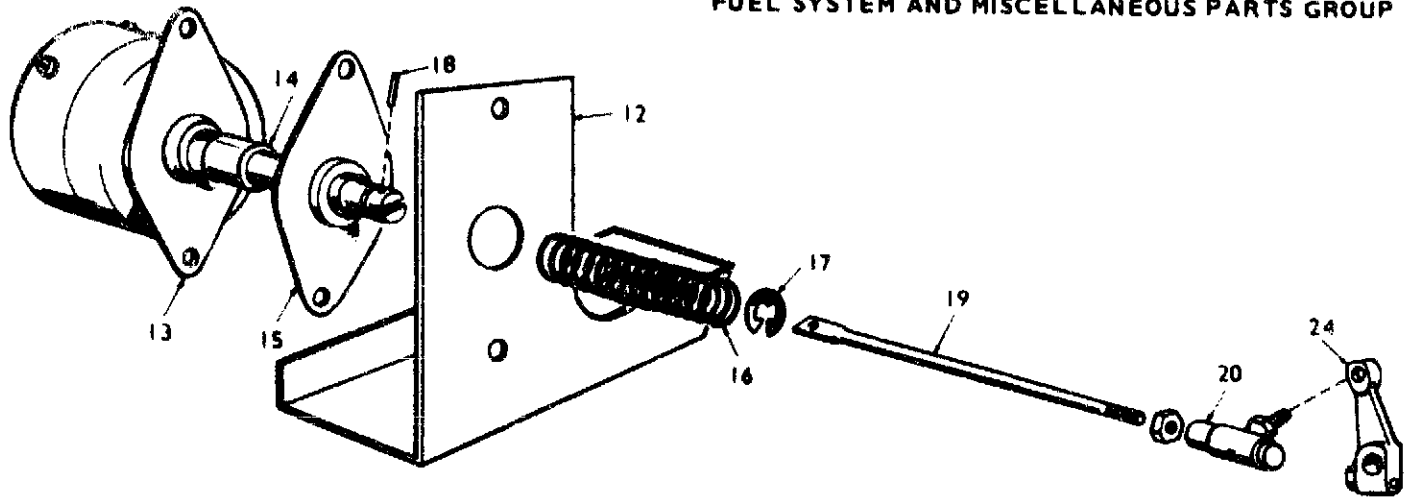
1

Engine, Replacement (Ford Motor Company Model 2704E Spec C5PL) General Description:

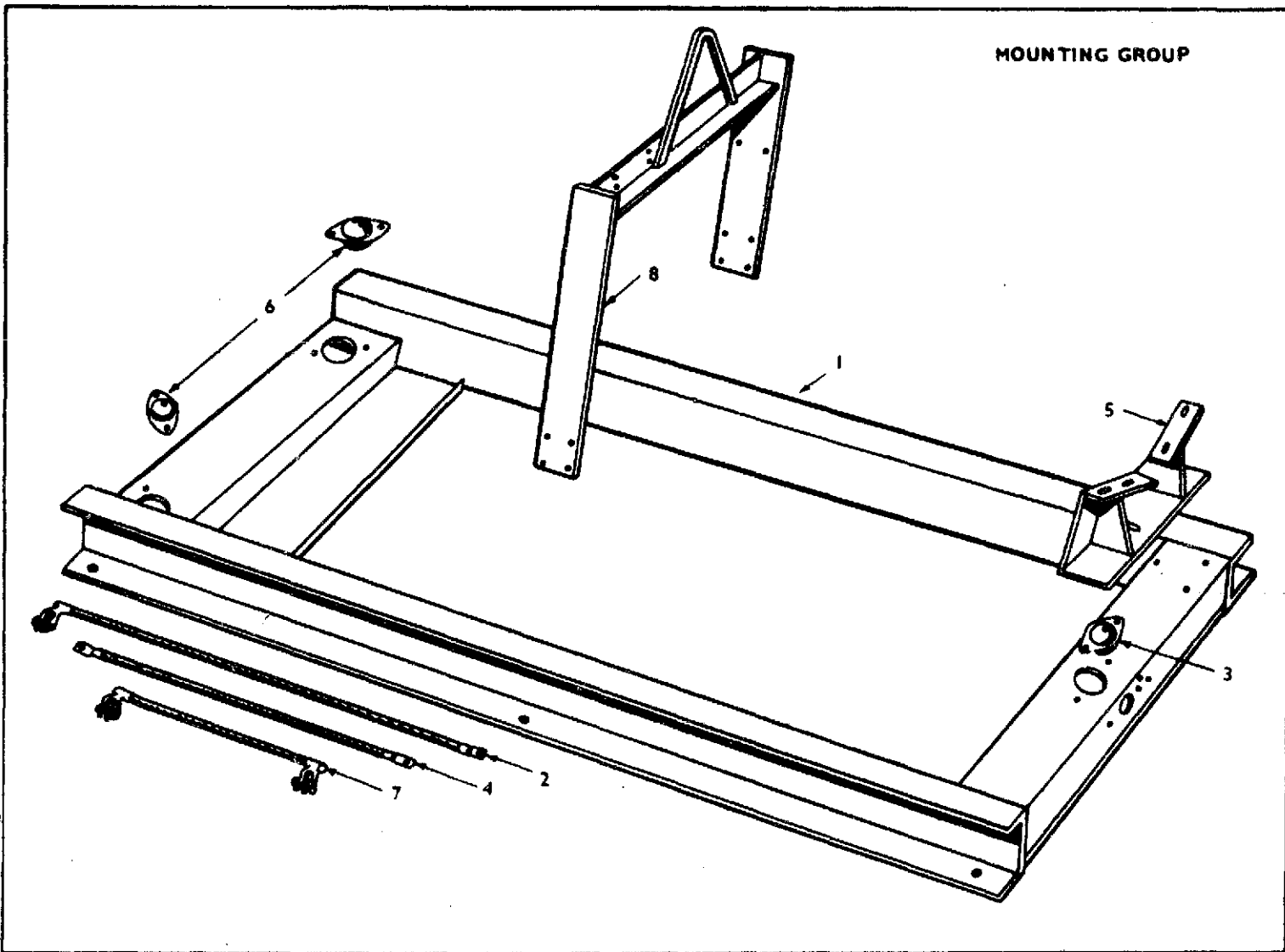
Includes - Complete Cylinder Block; Injection Pump (Simms); Fuel Filter; Starting Motor (Lucas); Governor; Flywheel; Water Pump; Fuel Transfer Pump; Fan Blade (Pusher Type).

Excludes Air Cleaner; Alternator; Voltage Regulator; Oil Pressure Sender; Water Temperature Sender.

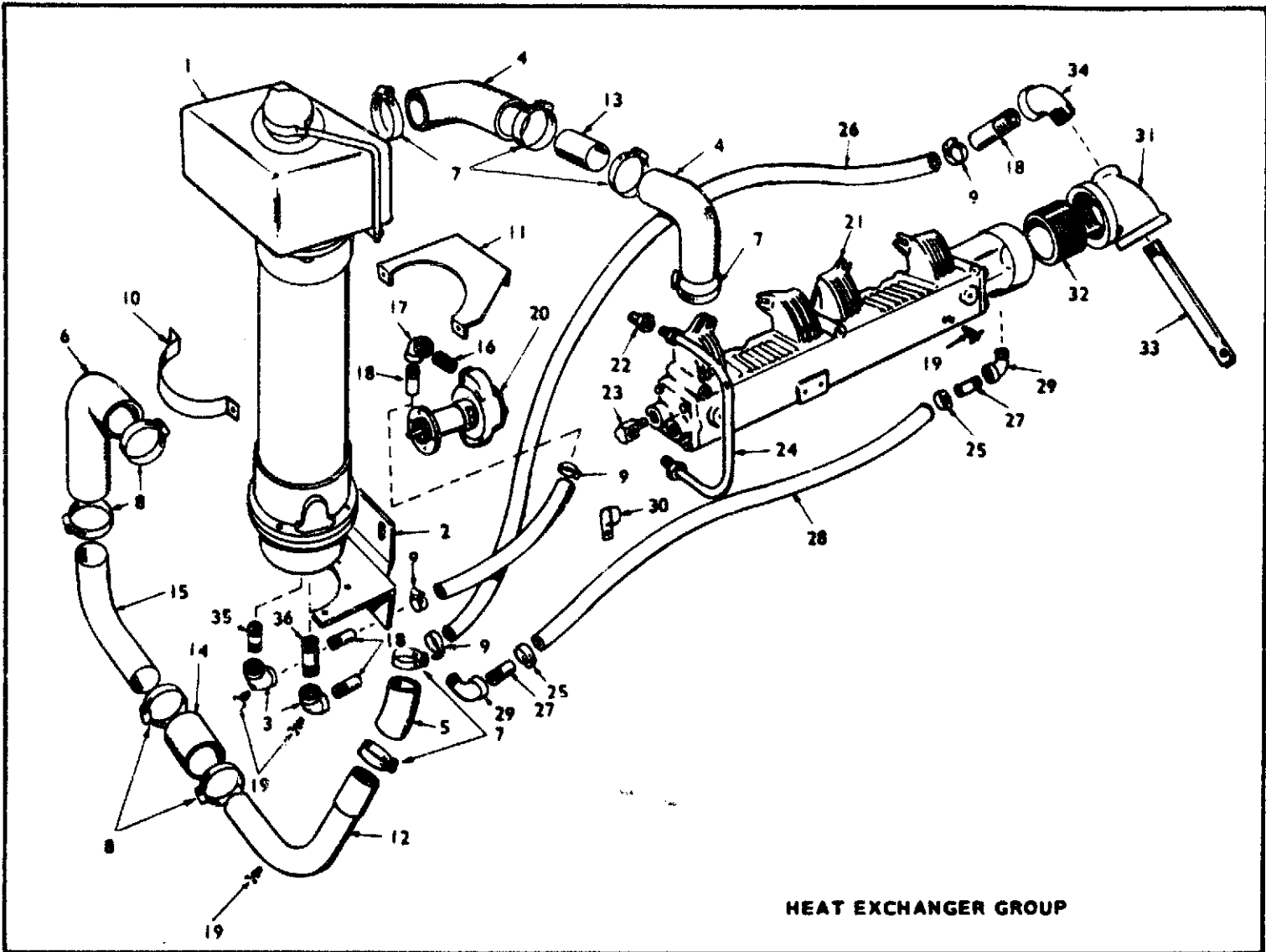
FUEL SYSTEM AND MISCELLANEOUS PARTS GROUP



REF. NO.	PART NO.	QTY. USED	PART DESCRIPTIONS	REF. NO.	PART NO.	QUANTITY USED	PARTS DESCRIPTION
1	140P969	1	Cleaner, Air	16	306A198	1	Spring, Stop Sol. Plunger
2	140A1007	1	Cover, Air Clnr.	17	518-203	1	Ring, Snap - Sprg. Ret.
3	140P1006	2	Head, Air Clnr.(Dished)	18	516P103	1	Pin, Roll - 1/8 x 1/2" - Sprg. Retg.
4	123A1037	1	Tube, Breather	19	306A218	1	Rod, Stop Sol. to Joint
5	503A486	1	Hose, Breather	20	150A638	1	Joint Rod to Inj. Pump
6	149C1078	1	Filter, Fuel - Primary	21	312A58	1	Condenser
7	149P846	1	Cartridge, Fuel Filter	22	338C457	1	Harness, Engine Cont.
8	501A96	2	Line, Fuel (1) Pump to Primary Filter, (1) Primary to Secondary Filter	23	191A516	1	Cover, Starter Hole
9	502-137	4	Connector	24	150A1139	1	Lever, Gov. Stop
10	502-148	2	Elbow, Secondary Filter	25	502-51	1	Coupling Fuel
11	502-254	1	Tee, Fuel Return	26	191B682	1	Alternator, Charge
12	306B214	1	Bracket, Sol. Mtg.	27	191C683	1	Reg. Charge Alt.
13	307B628	1	Solenoid, Stopping (12 V)	28	191B681	1	Cable, Alt. to Reg.
14	306A199	1	Plunger, Stop Solenoid	29	191B679	1	Bracket, Alt. Mtg.
15	306A162	1	Retainer, Stop Sol. Plunger	30	191-649	1	Pulley, Charge Alt.
				31	502-193	1	Connector, Fuel Pump Inlet
				32	502-5	1	Elbow, Fuel Pump Inlet



REF. NO.	PARTS NO.	QUANTITY USED	PARTS DESCRIPTION	REF. NO.	PART NO.	QTY. USED	PART DESCRIPTIONS
1	403D816	1	Chassis, Mounting	4	416A532	1	Cable, Starter Motor Ground
2	CABLE, BATTERY			5	403C785	1	Support, Gen Mtg.
	416A530	1	16" Long	6	402A209	2	Mount, Vibration, Gen. End
	416A531	1	24" Long	7	416A446	1	Cable, Batt. (9")
3	402P190	1	Mount Engine	8	403C836	1	Bracket, Lifting



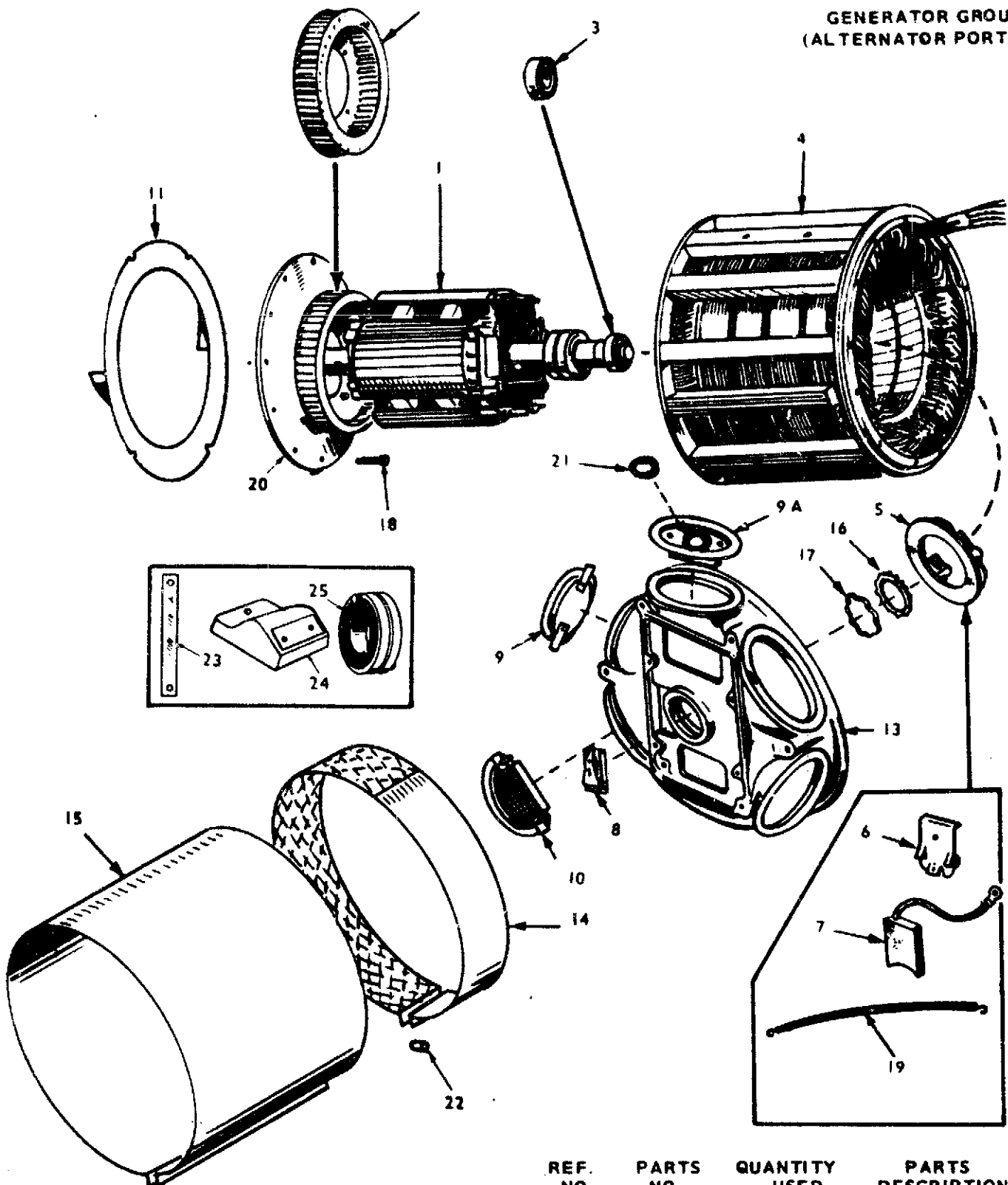
HEAT EXCHANGER GROUP

REF. NO.	PARTS NO.	QUANTITY USED	PARTS DESCRIPTION
1	130C505	1	Exchanger, Heat
2	130C715	1	Bracket, Heat Exch.Mtg. (Lower)
3	505A657	2	Elbow, with Drain Hole
4	503A554	2	Hose, Upper
5	503A552	1	Hose, Tube to Engine
6	503A553	1	Hose, Lower
7	503-311	6	Clamp, Hose (2-1/8 x 1/2")
8	503-4	4	Clamp, Hose (1-7/8 x 5/8")
9	503-189	4	Clamp, Hose (1-1/2 x 13/16")
10	130A722	1	Clamp, Heat Exchanger Mtg.
11	130A721	1	Bracket, Heat Exchanger Mtg. (Upper)
12	130A724	1	Tube, Water Inlet (With Drain)
13	503A555	1	Tube, Hose Connector
14	503A289	1	Hose, Tube Connection
15	130A349	1	Tube, Water Inlet (Without Drain)
16	505-102	1	Nipple pipe (3/4 x 1-3/8")
17	505-132	1	Elbow, pipe (3/4" x 90°)
18	505-324	4	Nipple, Half - pipe (3/4 x 2")
19	504-5	4	Valve, Drain

REF. NO.	PARTS NO.	QUANTITY USED	PARTS DESCRIPTION
20	132P109	1	*Pump, Water
21	154P888	1	Manifold, Exh. - Water Cooled
22	502-89	1	Connector, Water Lin.
23	502-74	1	Elbow, Water Line
24	130A723	1	Line, Water
25	503-183	2	Clamp, Hose (1-1/16 x 11/16")
26		As Req.	Hose, Water - 1" I.D. x 1-3/8" O.D. (Bulk #503-249)
27	505-135	2	Nipple, Half (3/8 x 1-1/2")
28		As Req.	Hose, Water - 1/2" I.D. x 27/32" O.D. (Bulk #503-110)
29	505-120	2	Elbow, Street (3/8" x 90°)
30	148A274	1	Clamp, Hose to Engine
31	505-656	1	Tee, Exhaust - Reducer
32	505-172	1	Nipple, Exhaust
33	130A725	1	Tube, Exh. Water Outlet
34	505P658	1	Elbow, Street Reducer (1 x 3/4" with 3/4" thread inside the 1" end)
35	505-4	1	Nipple Pipe (1 x 1-1/2")
36	505-87	1	Nipple, pipe (1 x 3")

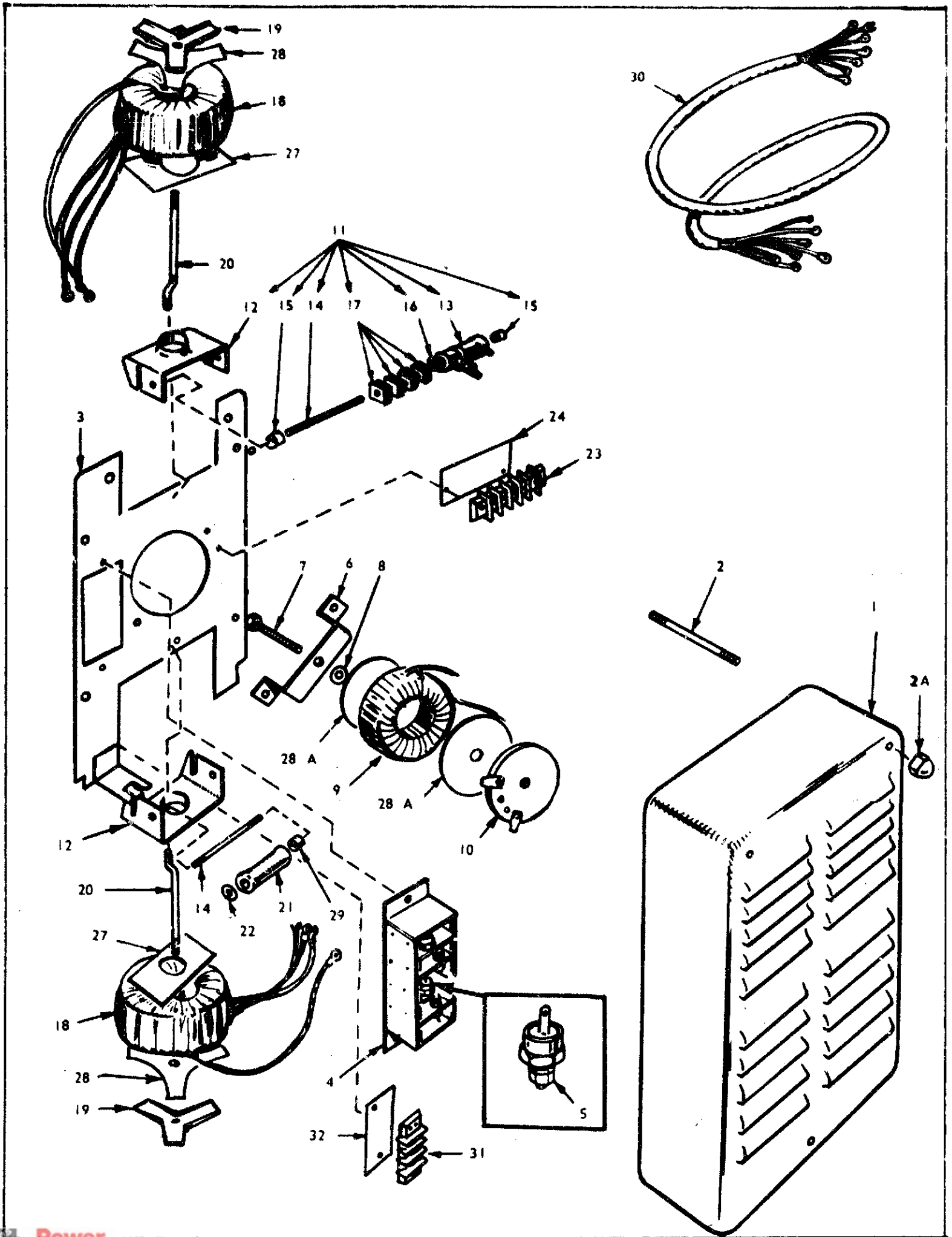
* - Order components by description from Jabsco Pump Co., 1485 Dale Way, Costa Mesa, California. Refer to pump part number 2C45, model number 5850.

GENERATOR GROUP
(ALTERNATOR PORTION)



REF. NO.	PARTS NO.	QUANTITY USED	PARTS DESCRIPTION	REF. NO.	PARTS NO.	QUANTITY USED	PARTS DESCRIPTION
1	*	1	Rotor Assy. Wound - Includes Brg. Blower & Drive Assy.	11	234C175	1	Scroll, Air
2	205B68	1	Blower	13	211E131	1	Bell, End
3	510P63	1	Bearing	14	BAND, GEN.-FRONT (NARROW)		
4	*	1	Stator Assy. Wound	234C296	1	1-Phase Plants	
5	212C248	1	Rig Assy., Brush	234C174	1	3-Phase Plants	
6	212B1105	4	Spring, Brush	15	BAND, GENERATOR -REAR (Wide)		
7	214A46	4	Brush	234C83	1	1-Phase Plants	
8	150A717	1	Switch Assy., Overspeed	234C178	1	3-Phase Plants	
9	232B1254	2	Cover, End Bell, Open. (Plain)	16	232A1186	1	Holder, Brg. (Anti-Rotation)
9A	234C226	1	Cover, End Bell Opening (w-Lead Hole) - Incl. Grommet	17	232A1187	1	Spring, Brg. Holder
10	232B1253	2	Cover, End Bell Openings (Screened)	18	815A292	6	Bolt, Shoulder (5/16-18'')
				19	336A209	2	Jumper, Brush Rig
				20	232B1820	1	Disc, Drive
				21	508-63	1	Grommet, End Bell Cover
				22	232A1615	1	Spacer, Band
				23	232A1842	As Req.	Shim, Drive Disc.
				24	232C1556	2	Pad, Gen. Mtg.
				25	204A83	1	Collector Ring

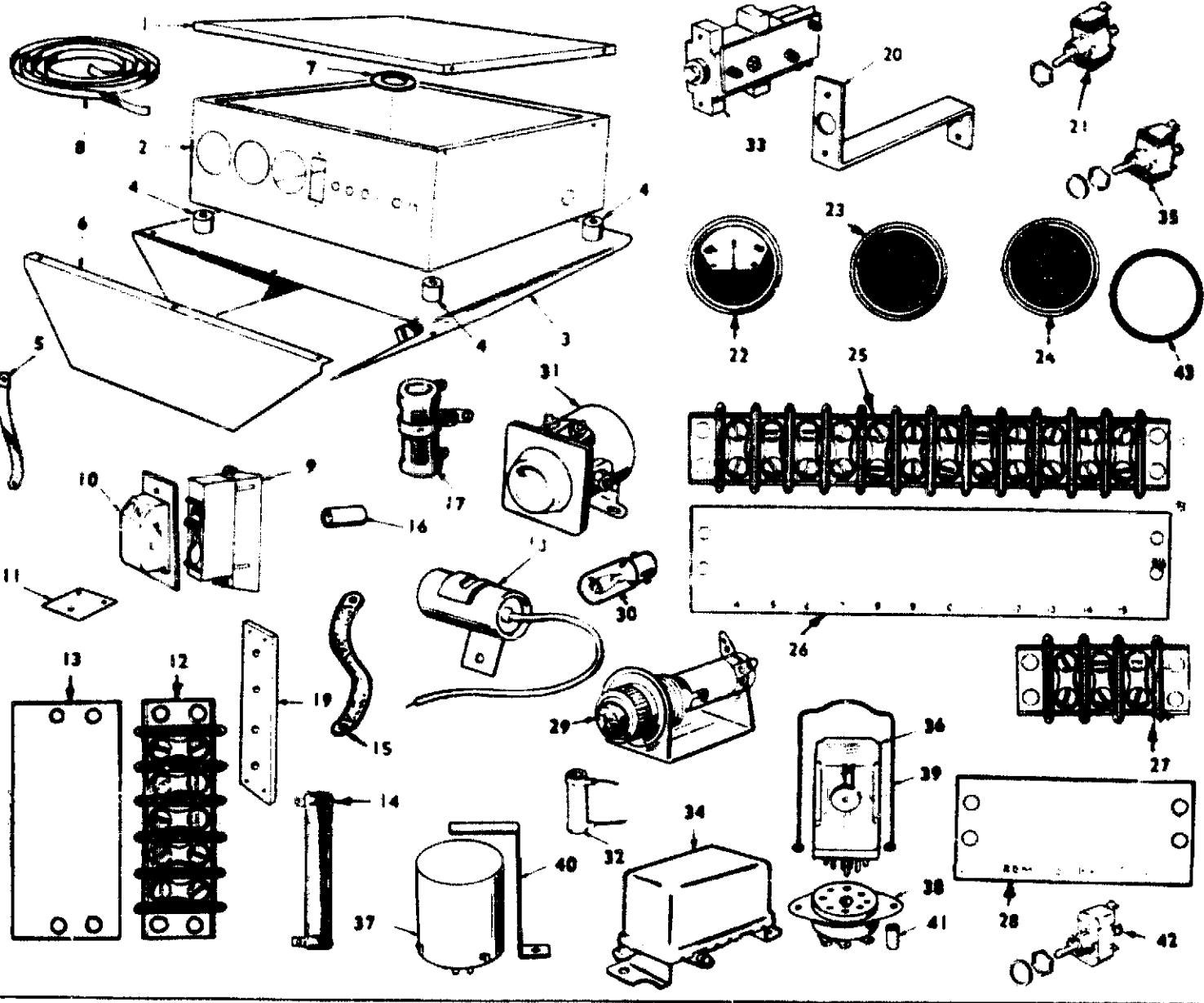
* - Order by description, giving complete Model and Serial Number (ONAN Nameplate).



NOTE: Check Onan name plate for correct Magteciter number. Select the part number column that applies to your plant.

REF. NO.	QTY. USED	PART DESCRIPTIONS	PART NUMBER	
			102SXIN18	102SX5IN18
	1	Exciter Complete (Less Cover)	209-21	209-22
1	1	Cover, Exciter	234D106	234D106
2	3	Stud, Exciter Cover Mtg.	520A575	520A575
2A	3	Nut, Exciter Cover Mtg.	866-1	866-1
3	1	Panel Only, Exciter	234D105	234D105
4	1	Rectifier Assy., Power	305B212	305B212
5	4	Rectifier Only, Power (Field)	305P244	305P244
6	1	Bracket Only, Overspeed Switch	150B733	150B733
7	1	Stud & Contact Point Assy., Voltage Control Reactor Mtg.	150A772	150A772
8	2	Fibre Washer (1/4 x 3/4 x 1/16")	508-18	508-18
8	1	Fibre Washer (1/4 x 3/8 x 1/32")	508-29	508-29
9	1	Reactor, Voltage Control	315A74	315B75
10	1	Block, Terminal - Volt. Cont. Reactor	332A687	332A687
11	1	Rectifier Assy., Includes Parts Marked*	305B202	305B202
12	2	*Bracket, Gate Reactor Mtg. (1 Only In 305B202)	234B60	234B60
13	1	*Resistor, Control, Adj. (150-Ohm, 25-Watt)	304A5	304A5
14	2	*Stud, Res. & Rect. Mtg. (1 Only In 305B202)	520A579	520A579
15	2	*Spacer, Res. & Rect. to Stud	232A1473	232A1473
16	2	*Washer, Adj. Resistor Centering	304A14	304A14
17	4	*Rectifier, Reg. Control	305P208	305P208
18	2	Reactor, Gate	315A57	315A63
19	2	Retainer, Gate Reactor	234B62	234B62
20	2	Stud, Gate Reactor Mtg.	232A1361	232A1361
21	1	Resistor, Fixed (200-Ohm, 50-Watt)	304A21	304A21
22	2	Washer, Fixed Res. Centering	304A15	304A15
23	1	Block, Term. (5-Place)	332A604	332A604
24	1	Strip, Blk. Marker (5-Place)	332A678	332A678
27	2	Insulation, Gate Reactor to Mtg. Bracket	232A1547	232A1547
28	2	Insulation, Gate Reactor to Retainer	232A1546	232A1546
28A	2	Insulation, Volt. Cont. Reactor Mtg.	232A1548	232A1548
29	2	Spacer, Fixed Resistor to Stud	232A1474	232A1474
30	1	Wiring Harness	338B237	338B237
31	1	Block, Term. (4-Place)	332A537	332A537
32	1	Strip, Marker	332A686	332A686

CONTROL GROUP



REF. NO.	PARTS NO.	QUANTITY USED	PARTS DESCRIPTION
1	301B2919	1	Cover, Control Box
2	301D2918	1	Box Only, Control
3	301C2920	1	Bracket, Cont.Box Mtg.
4	402-78	4	Mount, Rubber - Cont.Box Mtg.
5	337A44	1	Strap, Grd.
6	301B2921	1	Cover, Lead
7	508-63	1	Grommet (For 2-3/4" Hole)
8		1	Stripping, Weather 5 feet of Bulk Stock No. 895-89
9	320B170	1	Breaker, Circuit
10	320P305	1	Boot, Circuit Breaker
11	301A648	1	Plate, Grounding
12	332A604	1	Block, Term. (5-Place)
13	STRIP, TERMINAL BLOCK MARKER		
	333A689	1	Marked 32,33,34, E1, E2, For 120/240-V 1-Ph., 120/208-V 3-Ph. & 120/240-V 3-Ph.
	332A690	1	Marked 32,33,34,35,36, For 277/480-V 3-Ph., 220/380V 3-Ph. & 600-V 3-Ph.
14	304A479	1	Resistor, Fixed (425 Ohm, 50 Watt)
15	337A59	1	Strap, Ground
16	301A458	4	Spacer Term Blk. Mtg.
17	304A159	1	Resistor, Adj. (75-Ohm, 25 Watt)
18	CONDENSER, OUTPUT TERMINAL SUPPRESSION		
	312A58	2	120/240-V 1-Ph.
	312A58	3	120/208-V 3-Ph.
	312A58	4	120/240-V 3-Ph.
	312A145	3	277/480-V 3-Ph. & 220/380-V 3-Ph.
19	332A1102	1	Block, Term. Output

REF. NO.	PART NO.	QTY. USED	PART DESCRIPTIONS
20	301A2678		Bracket, Cranking Limiter Mounting
21	308P248	1	Switch (Run-Stop-Remote)
22	302A61	1	Ammeter, Charge (30-0-30)
23	193B106	1	Gage, Water Temp.
24	193B107	1	Gage, Oil Pressure
25	332A607	1	Block, Term. (12-Place)
26	332A608	1	Strip, Marker (4 through 15)
27	332A611	1	Block, Term. (3-Place)
28	332A1009	1	Strip, Marker (Remote, Bth Ground)
29	322P69	2	Receptacle Assy., Pilot Light
30	322-4	2	Bulb, Pilot Light
31	307B514	1	Relay, Starter Pilot (Plants with Opt.Manifold Htr. use 2)
32	304A192	1	Resistor, Fixed (3-Ohm, 10-W)
33	320B259	1	Limiter, Cranking
34	307B597	1	Relay, Fuel Solenoid
35	308-87	1	Switch, Manifold Heater (Opt.)
36	307P819	2	Relay (1) Start, Disc. (1) Emergency Latch
37	307A974	1	Relay, Time Delay - Oil Press.
38	323P52	3	Socket, Relay
39	307P778	2	Spring, Relay Holddown
40	301A2874	1	Clamp, Hold-Down - Time Delay Relay
41	332A943	6	Spacer, Relay Socket
42	308A249	1	Switch, Emergency Reset
43	509P104	3	Gasket, "O" Ring - Meter Mtg.