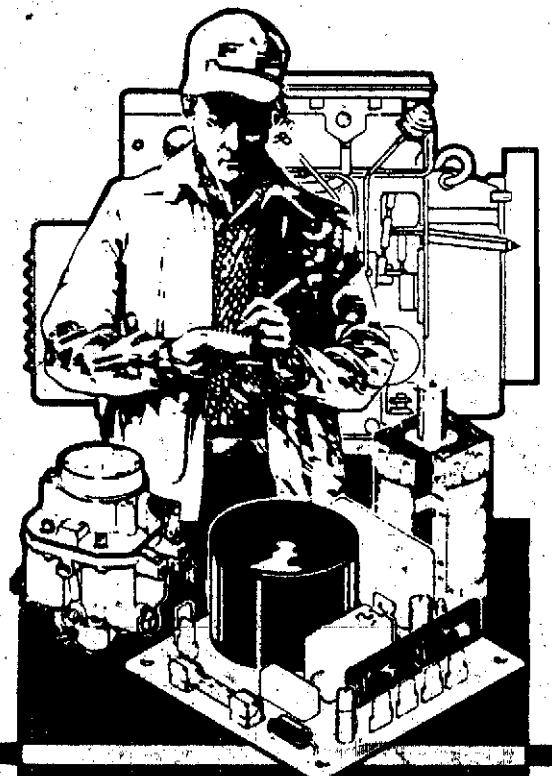


The following catalog has gaps in its page numbers, or doesn't have any numbers. We have chosen to leave the page numbering in the order that Acrobat assigns it.

Onan

Parts Manual 5.0 KQ GenSet



Onan Service Parts

981-0232

12-85 (SPEC A)

Generation

Redistribution or publication of this document by any means, is strictly prohibited.

Index

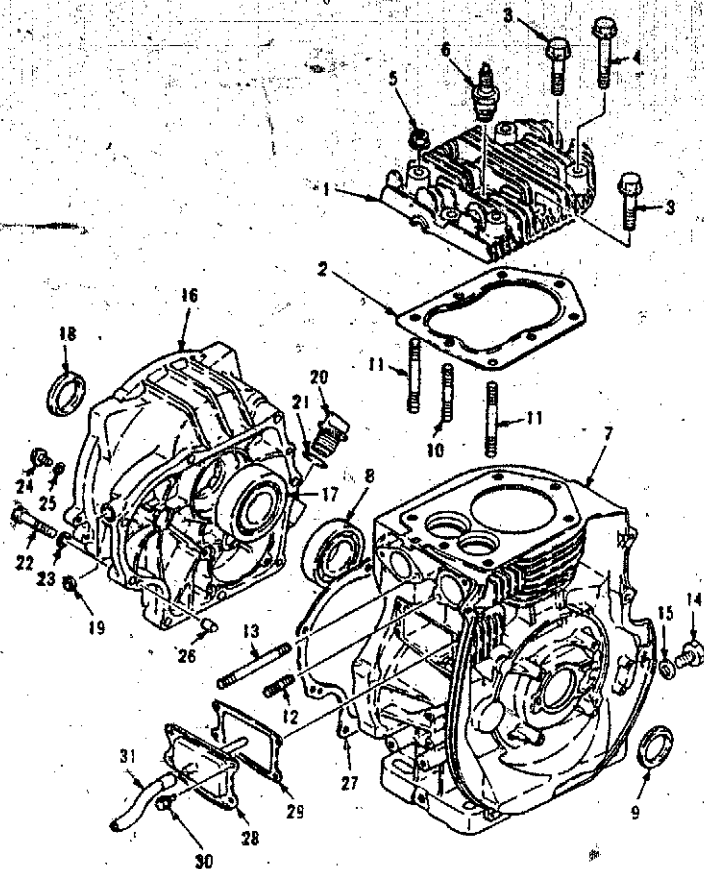
	GRID		GRID
Bearing, Crankshaft	A5	Lamp, Control	B8
Breaker, Circuit	B8	Lever, Governor	A10
Camshaft	A4	Magneto	A8
Cap, Fuel Tank	B2	Muffler	B1
Carburetor (Style 1)	A11	Pipe, Breather	A3
Carburetor (Style 2)	A13	Piston	A5
Cleaner, Air	A14	Plug, Drain	A3
Coil, Ignition	A8	Plug, Oil	A3
Control	B8	Plug, Spark	A3
Cord Assy, DC	A8	Pulley, Starter	A6
Crankshaft	A5	Ring Assy, Piston	A5
Diode	B7	Rod Assy, Connecting	A5
Filter, Air	A14	Rope, Start	A6
Filter, Fuel	B2	Rotor, Generator	B7
Frame	B3	Rotor, Magneto	A8
Gasket, Breather	A3	Solenoid	A10
Gasket, Carburetor Mtg	A14	Starter Assy, Recoil	A6
Gasket, Crankcase	A3	Starter Assy, Electric	A7
Gasket, Cylinder Head	A3	Stater	B7
Gasket, Fuel Tank	B2	Switch, Control	B9
Gasket, Drain Plug	A3	Switch Assy, Stop	B9
Gauge, Fuel	B2	Tank, Fuel	B2
Generator	B7	Valve, Exhaust	A4
Governor	A10	Valve, Inlet	A4
Idler Assy, Auto	B8	Watch Assy, Oil	B8

Introduction

This catalog applies to the KQ Generator Set. Parts are arranged in groups of related items and each illustrated part is identified by a reference number in the parts lists. Unless otherwise mentioned in the description, parts are interchangeable between models. Parts illustrations are typical. Using the model and specification number from your generator set nameplate, select parts that apply to your set. Right and left sides are determined by facing the engine end (front) of the set.

MODEL	STARTING	QTY	COLUMN
K5000	Manual	B	
K5000B	Electric	A	

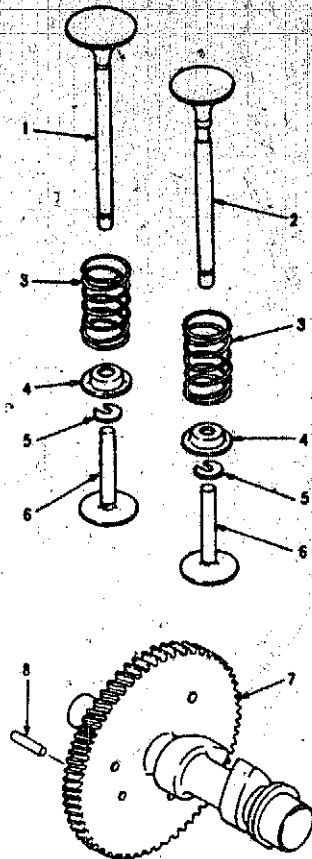
Cylinder



A:K5000B, B:K5000

Ref. No.	Part No.	Qty. Used		Part Description
		A	B	
1	185-4136	1	1	Cylinder Head
2	185-4137	1	1	Gasket
3	185-4138	3	3	Bolt
4	185-4139	2	2	Bolt
5	185-3036	3	3	Nut
6	185-4140	1	1	Plug
7	185-4141	1	1	Crankcase
7	185-4897	1	1	Crankcase
8	185-4142	1	1	Bearing
9	185-4143	1	1	Seal,Oil
10	185-4144	1	1	Stud
11	185-4145	2	2	Stud
12	185-4146	2	2	Stud
13	185-4147	2	2	Stud
14	185-4148	1	1	Bolt
15	185-4149	1	1	Gasket
16	185-4150	1	1	Cover,Case
17	185-4151	1	1	Bearing
18	185-4152	1	1	Seal,Oil
19	185-4153	1	1	Seal,Oil
20	185-4154	1	1	Plug Oil
21	185-4155	1	1	O Ring
22	185-4156	8	8	Bolt
23	185-3065	8	8	Washer.Plain
24	185-4157	1	1	Bolt
25	185-4158	1	1	Washer
26	185-4159	2	2	Pin Dowel
27	185-4160	1	1	Gasket
28	185-4161	1	1	Cover
29	185-4162	1	1	Gasket
30	185-2386	4	4	Bolt
31	185-4163	1	1	Pipe

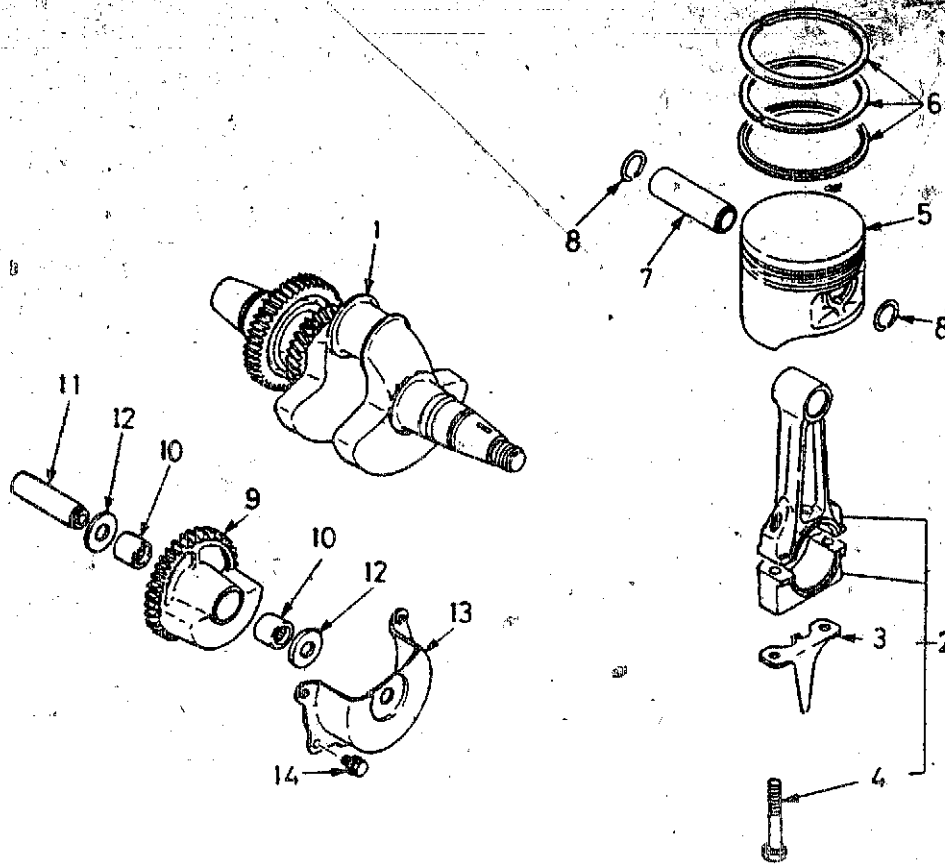
Camshaft



A:K5000B, B:K5000

Ref. No.	Part No.	Qty. Used		Part Description
		A	B	
1	185-4184	1	1	Valve
2	185-4185	1	1	Valve
3	185-4186	2	2	Spring
4	185-4187	2	2	Retainer.Valve
5	185-4188	2	2	Cotter.Valve
6	185-4189	2	2	Lifter.Valve
7	185-4190	1	1	Camshaft
8	185-4191	1	1	Pin.Dowel

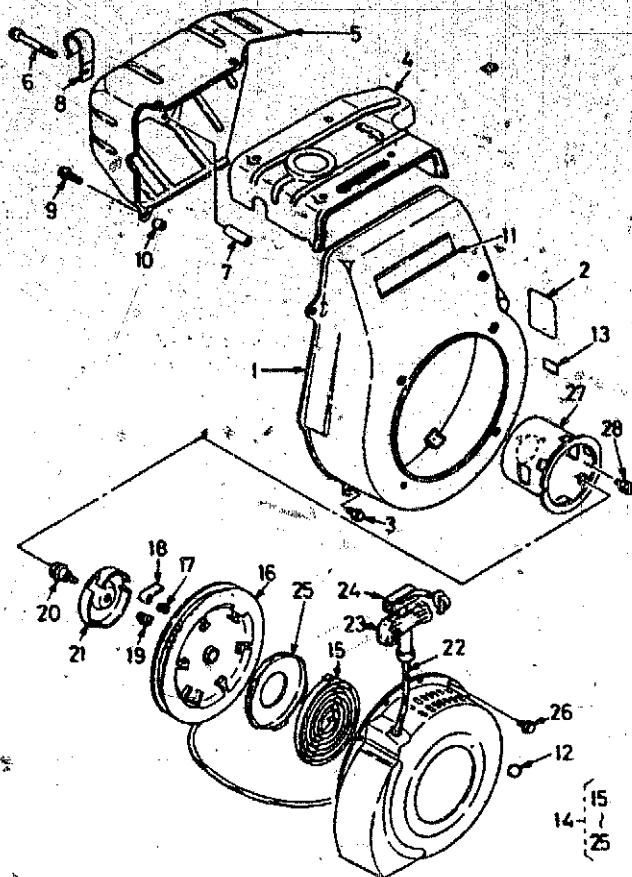
Piston & Crankshaft



A:K5000B, B:K5000

Ref. No.	Part No.	Qty. Used		Part Description
		A	B	
1	185-4192	1	1	Crankshaft
2	185-4193	1	1	Rod, Connecting
3	185-4194	1	1	Dipper
4	185-4196	2	2	Bolt
5	185-4197	1	1	Piston Std.
5	185-4931	1	1	Piston (+0.25mm) O/S
5	185-4932	1	1	Piston (+0.5mm) O/S
6	185-4198	1	1	Piston Ring Std.
6	185-4933	1	1	Assy Piston Ring (+0.25mm) O/S
6	185-4934	1	1	Assy Piston Ring (+0.5mm) O/S
7	185-4199	1	1	Piston Pin
8	185-4200	2	2	Circlip
9	185-4201	1	1	Weight
10	185-4202	2	2	Bearing
11	185-4203	1	1	Shaft
12	185-4204	2	2	Washer
13	185-4205	1	1	Housing
14	185-2386	4	4	Bolt

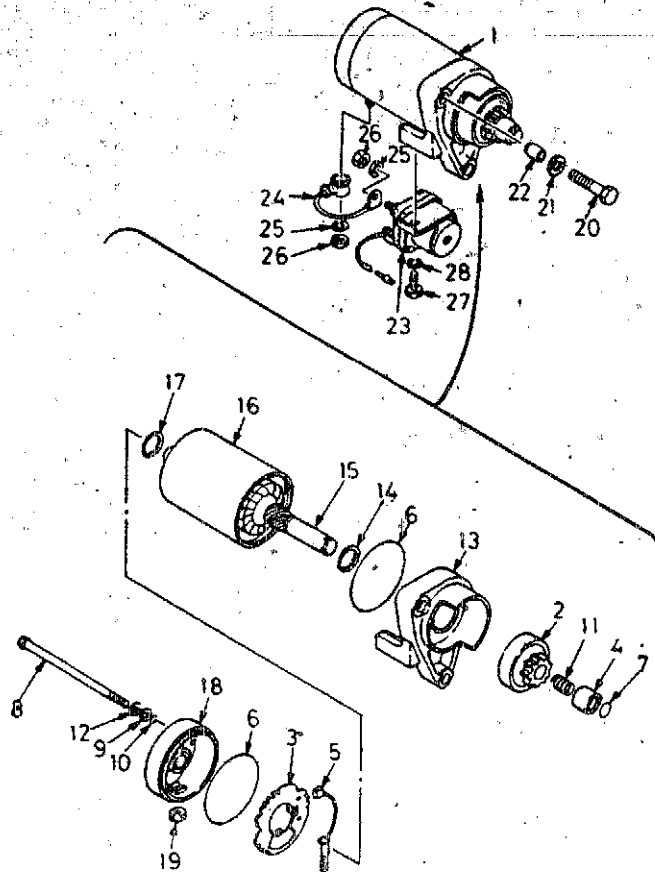
Recoil Starter



A:K5000B, B:K5000

Ref. No.	Part No.	Qty. Used		Part Description
		A	B	
1	185-4268	1	—	Case, Fan
1	185-4912	—	1	Case, Fan
2	185-4269	1	1	Label
3	185-4262	4	4	Bolt
4	185-4270	1	1	Air Shroud, Cylinder
5	185-4271	1	1	Air Shroud, Cylinder
6	185-4272	1	1	Bolt
7	185-4273	1	1	Collar
8	185-4313	1	1	Clamp
9	185-4275	1	1	Screw
10	185-4276	1	1	Collar
11	185-4469	1	1	Label, Onan
12	185-4470	1	1	Label
13	185-4471	1	1	Label
14	185-4279	1	1	Starter
15	185-4280	1	1	Spring
16	185-4281	1	1	Drum, Sheave
17	185-4282	3	3	Clip
18	185-4283	3	3	Pawl
19	185-4284	1	1	Spring
20	185-4285	1	1	Bolt
21	185-4286	1	1	Plate
22	185-4287	1	1	Rope, Starter
23	185-4288	1	1	Handle
24	185-4289	1	1	Connector
25	185-4290	1	1	Case
26	185-3012	4	4	Bolt
27	185-4291	1	1	Pulley, Starter
28	185-3009	3	3	Bolt

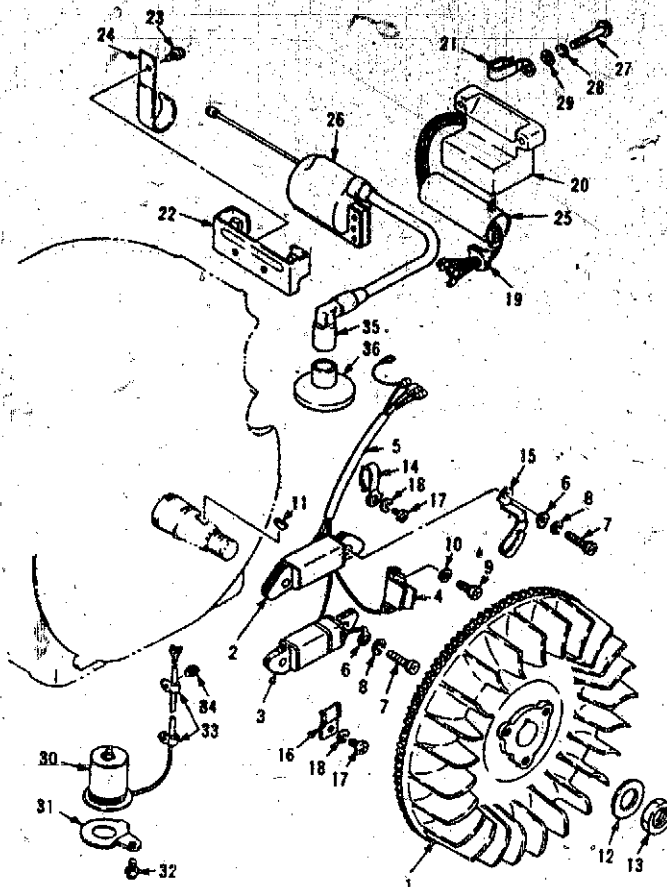
Starter



A:K5000B, B:K5000

Ref. No.	Part No.	Qty. Used		Part Description
		A	B	
1	185-4324	1	-	Starter
2	185-4325	1	-	Clutch
3	185-4326	1	-	Holder,Brush
4	185-4327	1	-	Ring Stop
5	185-4328	1	-	Brush
6	185-4329	2	-	Gasket
7	185-4330	1	-	Ring
8	185-4331	2	-	Bolt
9	185-4332	2	-	Washer
10	185-4333	2	-	O Ring
11	185-4334	1	-	Spring
12	185-4335	2	-	Washer
13	185-4935	1	-	Assy Housing
14	185-4936	1	-	Washer,Plate
15	185-4937	1	-	Assy Armature
16	185-4938	1	-	Assy Yoke
17	185-4939	1	-	Washer,Plate
18	185-4940	1	-	Assy Frame
19	185-4941	1	-	Nut
20	185-4156	2	-	Bolt
21	185-3065	2	-	Washer,Plain
22	185-4336	2	-	Pin,Dowel
23	185-4337	1	-	Switch,Starter
24	185-4338	1	-	Wire,Starter
25	185-2380	3	-	Washer,Spring
26	185-3026	3	-	Nut
27	185-4339	1	-	Bolt
28	185-2380	1	-	Washer,Spring

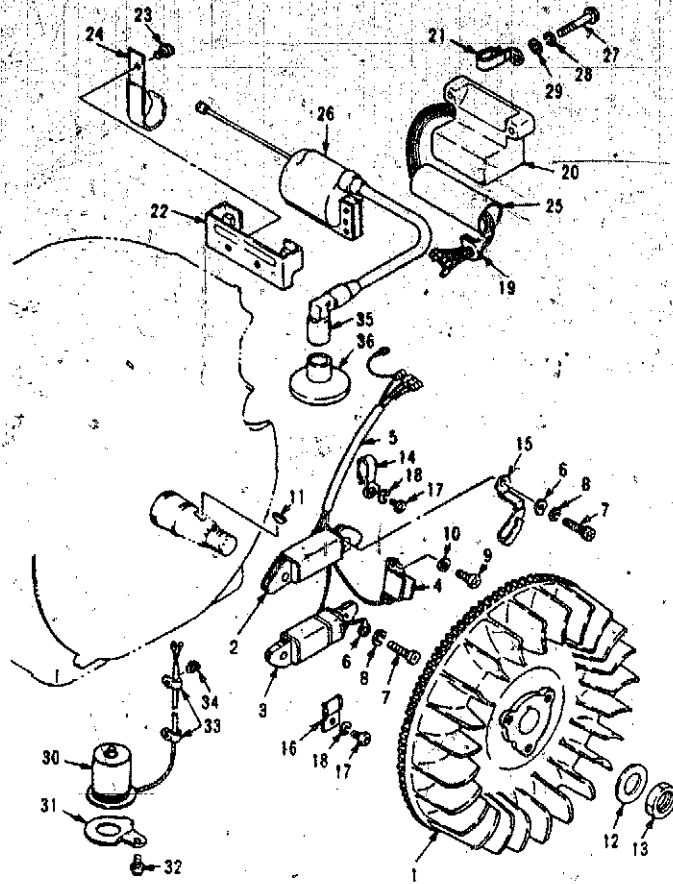
Magneto



A:K5000B, B:K5000

Ref. No.	Part No.	Qty. Used		Part Description
		A	B	
1	185-4294	1	-	Rotor
1	185-4916	-	1	Assy Rotor
2	185-4295	1	1	Coil, Charge
3	185-4296	1	1	Coil
4	185-4297	1	1	Coil, Pulser
5	185-4298	1	-	Cord
5	185-4917	-	1	Assy Cord
6	185-4918	2	-	Terminal
6	185-4919	-	1	Earth, Terminal
7	185-4299	4	4	Screw
8	185-4300	4	4	Washer, Spring
9	185-4301	2	2	Screw
10	185-3070	2	2	Washer, Spring
11	185-4302	1	1	Key
12	185-4303	1	1	Washer, Plain
13	185-4304	1	1	Nut
14	185-4305	1	1	Clamp
15	185-4306	1	1	Clamp
16	185-4307	1	1	Clamp
17	185-4308	2	2	Screw
18	185-2380	2	2	Washer, Spring
19	185-4309	1	1	Grommet
20	185-4310	1	-	C.D.I.
20	185-4920	-	1	C.D.I.
21	185-4311	1	1	Clamp
22	185-4312	1	1	Bracket
23	185-4262	2	2	Bolt
24	185-4313	1	1	Clamp
25	185-4314	1	1	Cover, Connector
26	185-4315	1	1	Ignition

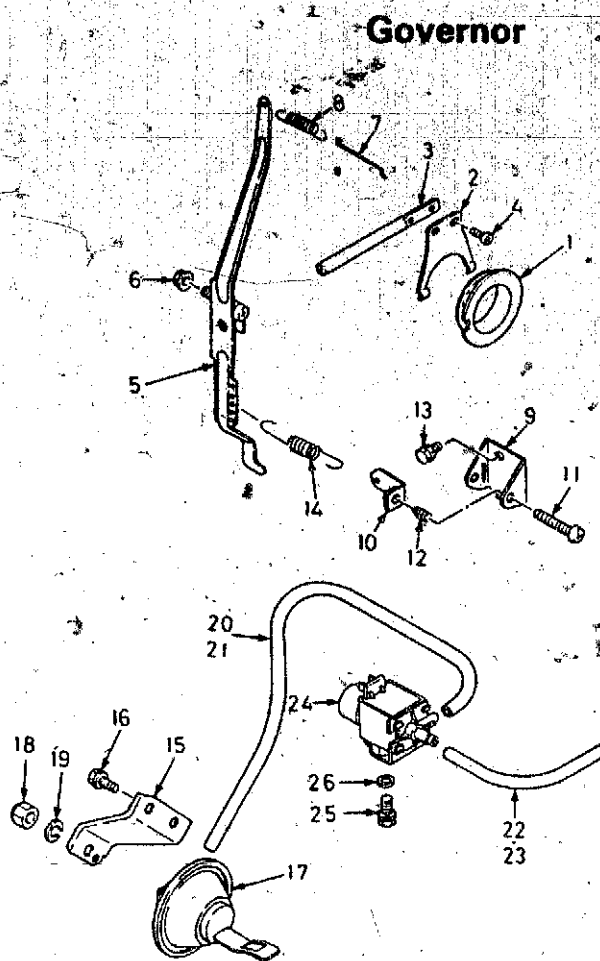
Magneto



A:K5000B; B:K5000

Ref. No.	Part No.	Qty. Used		Part Description
		A	B	
27	185-4316	2	2	Bolt
28	185-2380	2	2	Washer, Spring
29	185-2376	2	2	Washer, Plain
30	185-4317	1	1	Gauge, Oil
31	185-4318	1	1	Clamp
32	185-4319	1	1	Bolt
33	185-4320	2	2	Clamp
34	185-4319	2	2	Bolt
35	185-4322	1	1	Cap. Plug
36	185-4323	1	1	Plug

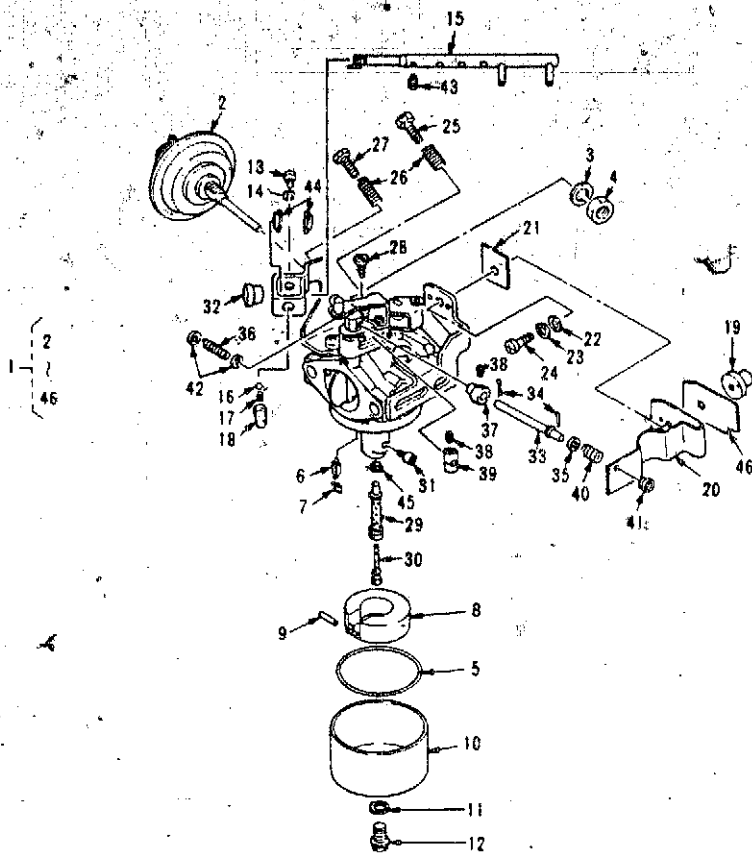
Governor



A:K5000B, B:K5000

Ref. No.	Part No.	Qty. Used		Part Description
		A	B	
1	185-4250	1	1	Collar
2	185-4251	1	1	Fork
3	185-4252	1	1	Shaft
4	185-4253	2	2	Screw
5	185-4254	1	1	Arm.Governor
6	185-4255	1	1	Nut
7	185-4256	1	1	Rod.Link
8	185-4257	1	1	Spring
9	185-4258	1	1	Stay
10	185-4259	1	1	Lever
11	185-4260	1	1	Screw
12	185-4261	1	1	Spring
13	185-4262	1	1	Bolt
14	185-4263	1	1	Spring
15	185-4264	1	1	Bracket
16	185-2386	2	2	Bolt
17	185-4265	1	1	Diaphragm
18	185-2367	1	1	Nut
19	185-2381	1	1	Washer.Spring
20	185-4907	1	-	Hose
21	185-4908	-	1	Hose
22	185-4909	1	-	Hose
23	185-4910	-	1	Hose
24	185-4466	1	1	Solenoid
25	185-4464	1	1	Bolt
26	185-2376	1	1	Washer.Plain

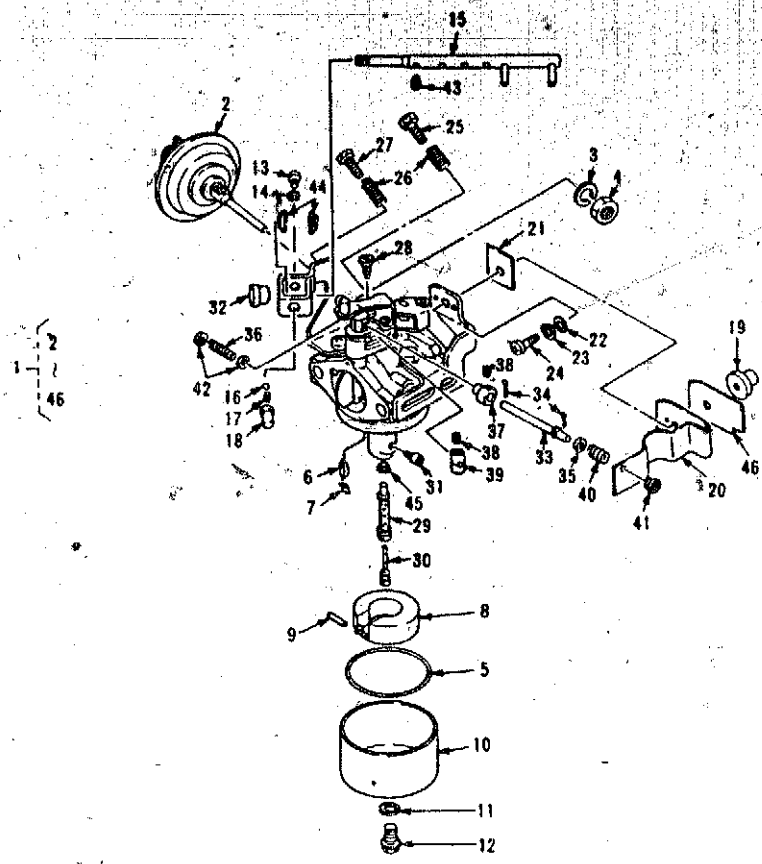
Carburetor 1



A:K5000B, B:K5000

Ref. No.	Part No:	Qty. Used		Part Description
		A	B	
1	185-4206	1	-	Carburetor
2	185-4207	1	-	Diaphragm
3	185-2381	1	-	Washer.Spring
4	185-4208	1	-	Nut
5	185-4209	1	-	Gasket
6	185-4210	1	-	Needle
7	185-4211	1	-	Clip
8	185-4212	1	-	Float
9	185-4213	1	-	Pin.Float
10	185-4214	1	-	Body.Float
11	185-4215	1	-	Gasket
12	185-4216	1	-	Bolt
13	185-4217	1	-	Guide.Screw
14	185-2380	1	-	Washer.Spring
15	185-4218	1	-	Shaft.Choke
16	185-4219	1	-	Ball
17	185-4220	1	-	Spring
18	185-4221	1	-	Holder
19	185-4222	1	-	Spacer
20	185-4223	1	-	Plate
21	185-4224	1	-	Plate
22	185-4225	1	-	Washer
23	185-4226	1	-	Washer
24	185-4227	1	-	Screw
25	185-4228	1	-	Adjusting
26	185-4229	2	-	Spring
27	185-4230	1	-	Screw
28	185-4231	1	-	Jet.Main
29	185-4232	1	-	Nozzle.Main
30	185-4233	1	-	Pipe

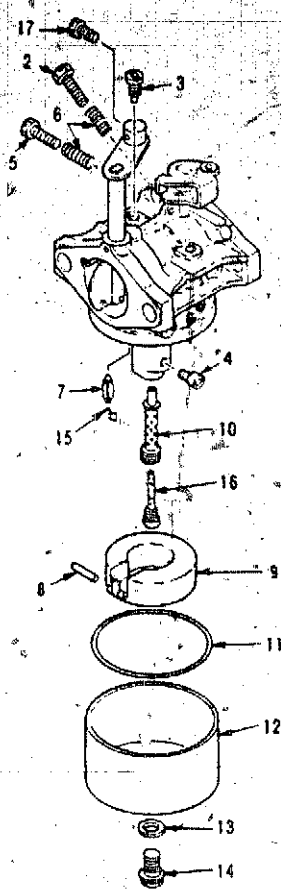
Carburetor 1



A:K5000B, B:K5000

Ref. No.	Part No.	Qty. Used		Part Description
		A	B	
31	185-4234	1	—	Jet.Main
32	185-4235	1	—	Cap
33	185-4236	1	—	Rod
34	185-4237	2	—	Cotter.Pin
35	185-4238	1	—	Washer
36	185-4239	1	—	Spring
37	185-4240	1	—	Ring
38	185-4241	2	—	Screw.Set
39	185-4242	1	—	Swivel.Wire
40	185-4243	1	—	Spring
41	185-4244	1	—	Ring
42	185-4245	2	—	Washer
43	185-4246	1	—	Screw
44	185-4247	2	—	Holder
45	185-4248	1	—	Ring
46	185-4249	1	—	Plate

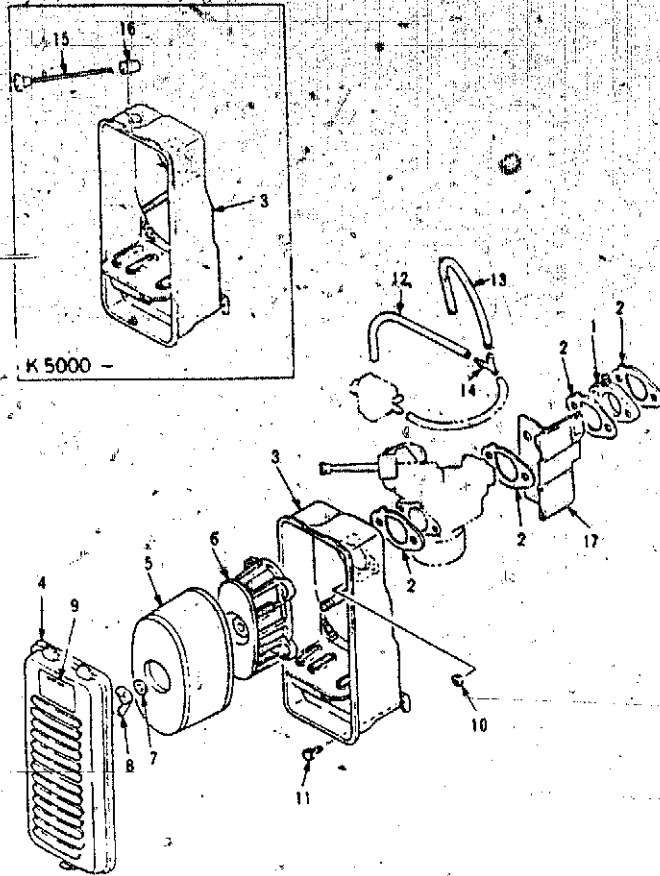
Carburetor 2



A:K5000B, B:K5000

Ref. No.	Part No.	Qty. Used		Part Description
		A	B	
1	185-4902	-	1	Carburetor
2	185-4228	-	1	Rod.Screw
3	185-4903	-	1	Jet.Pilot
4	185-4234	-	1	Jet.Main
5	185-4904	-	1	Rod.Screw
6	185-4905	-	2	Spring
7	185-4210	-	1	Needle
8	185-4213	-	1	Pin Float
9	185-4212	-	1	Float
10	185-4232	-	1	Nozzle.Main
11	185-4209	-	1	Gasket
12	185-4214	-	1	Body.Float
13	185-4215	-	1	Gasket
14	185-4216	-	1	Bolt
15	185-4211	-	1	Clip
16	185-4233	-	1	Pipe
17	185-4904	-	1	Rod.Screw

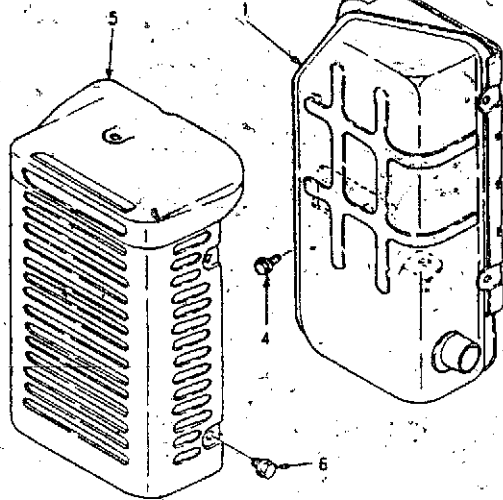
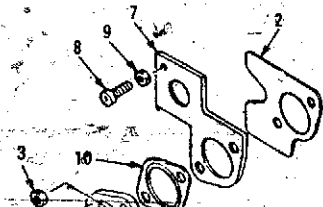
Air Cleaner



A:K5000B, B:K5000

Ref. No.	Part No.	Qty. Used		Part Description
		A	B	
1	185-4164	1	1	Manifold
2	185-4165	4	4	Gasket
3	185-4166	1	-	Case
3	185-4898	-	1	Case
4	185-4167	1	1	Cap
5	185-4168	1	1	Element
6	185-4169	1	1	Guide
7	185-4170	1	1	Washer, Plain
8	185-4171	1	1	Nut, Wing
9	185-4172	1	1	Label
10	185-2366	2	2	Nut
11	185-2399	1	1	Bolt
12	185-4173	1	-	Hose
13	185-4174	1	-	Hose
14	185-4175	1	-	Fitting, "Y"
15	185-4899	-	1	Lever, Choke
16	185-4900	-	1	Grommet
17	185-4176	1	1	Cover, Carb.

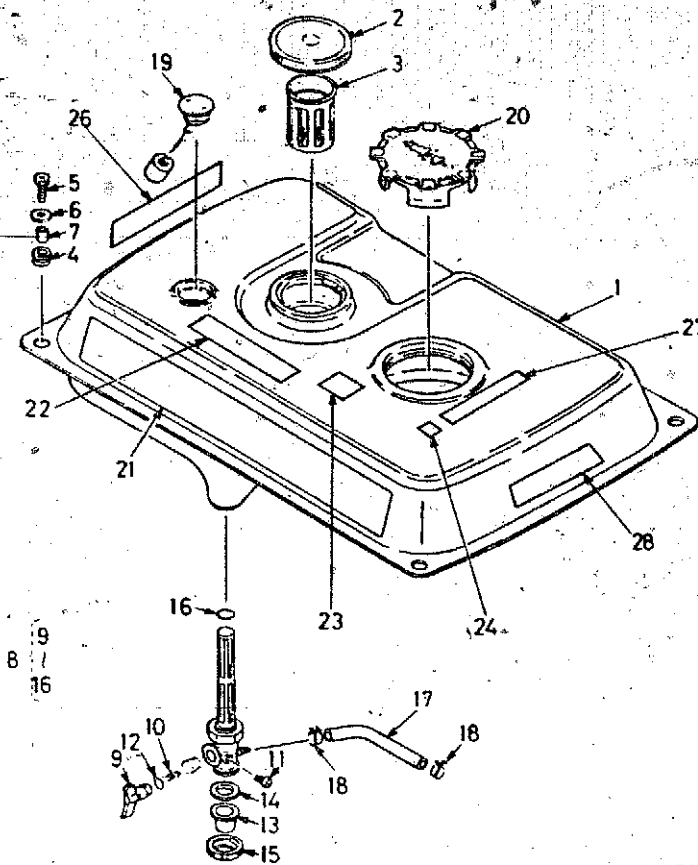
Muffler



A:K5000B, B:K5000

Ref. No.	Part No.	Qty. Used		Part Description
		A	B	
1	185-4177	1	-	Assy Muffler
1	185-4901	-	1	Assy Muffler
2	185-4178	1	1	Gasket
3	185-4179	2	2	Nut
4	185-2399	1	1	Bolt
5	185-4868	1	1	Shield.Heat
6	185-4181	4	4	Bolt
7	185-4182	1	-	Bracket
8	185-3058	1	-	Screw
9	185-3030	1	-	Nut
10	185-4183	1	-	Gasket

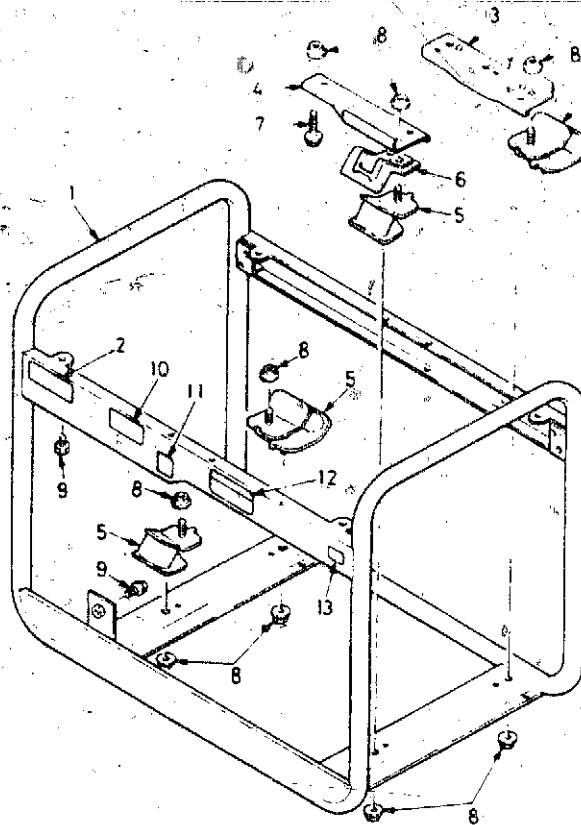
Fuel Tank



A:K5000B, B:K5000

Ref. No.	Part No.	Qty. Used		Part Description
		A	B	
1	185-4399	1	1	Tank,Fuel
2	185-4400	1	1	Cap
3	185-4401	1	1	Strainer
4	185-4402	4	4	Grommet
5	185-4403	4	4	Bolt
6	185-4404	4	4	Washer,Plain
7	185-4405	4	4	Collar
8	185-4406	1	1	Cock,Fuel
9	185-4407	1	1	Lever,Cock
10	185-4408	1	1	Spring
11	185-4409	1	1	Lever,Screw
12	185-4410	1	1	O Ring
13	185-4411	1	1	Cap,Filter
14	185-4412	1	1	Gasket
15	185-4413	1	1	Nut
16	185-4414	1	1	Gasket
17	185-4415	1	1	Pipe
18	185-4416	2	2	Clip
19	185-4417	1	1	Gauge,Fuel
20	185-4418	1	1	Plug,Cover
21	185-4476	1	1	Label
22	185-4420	1	1	Label
23	185-4474	1	1	Label
24	185-3195	1	1	Label
25	185-3997	1	1	Label
26	185-4426	1	-	Label
26	185-4475	-	1	Label
27	185-4473	1	1	Label

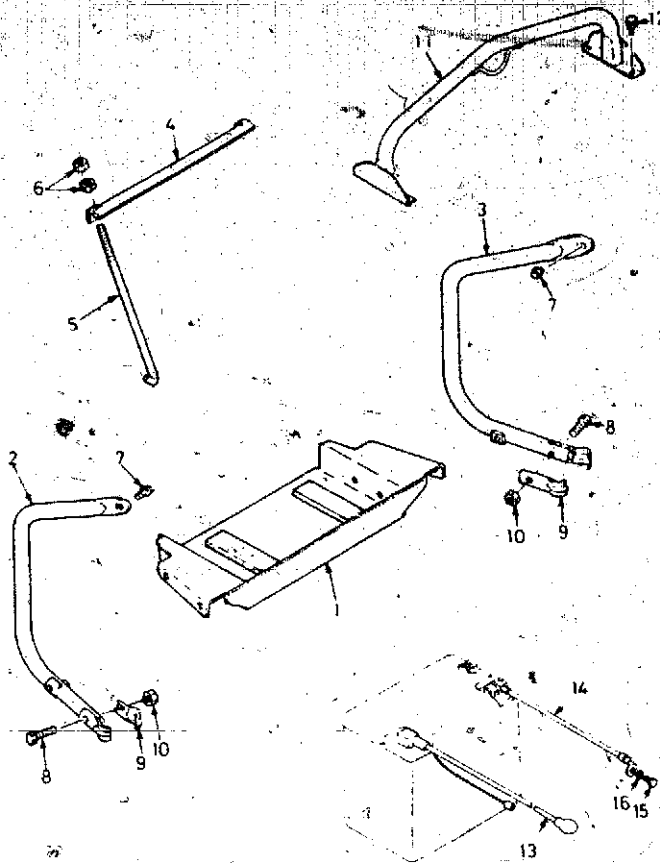
Frame



A:K5000B, B:K5000

Ref. No.	Part No.	Qty. Used		Part Description
		A	B	
1	185-4340	1	1	Frame
2	185-4341	1	1	Label
3	185-4342	1	1	Bracket
4	185-4343	1	1	Bracket
5	185-4344	4	4	Insulator
6	185-4345	1	1	Protector
7	185-4346	4	4	Bolt
8	185-3036	12	12	Nut
9	185-4347	3	3	Bolt
10	185-4348	1	1	Label
11	185-4349	1	1	Label
12	185-4350	1	-	Label
12	185-4472	-	1	Label
13	185-4351	1	1	Label

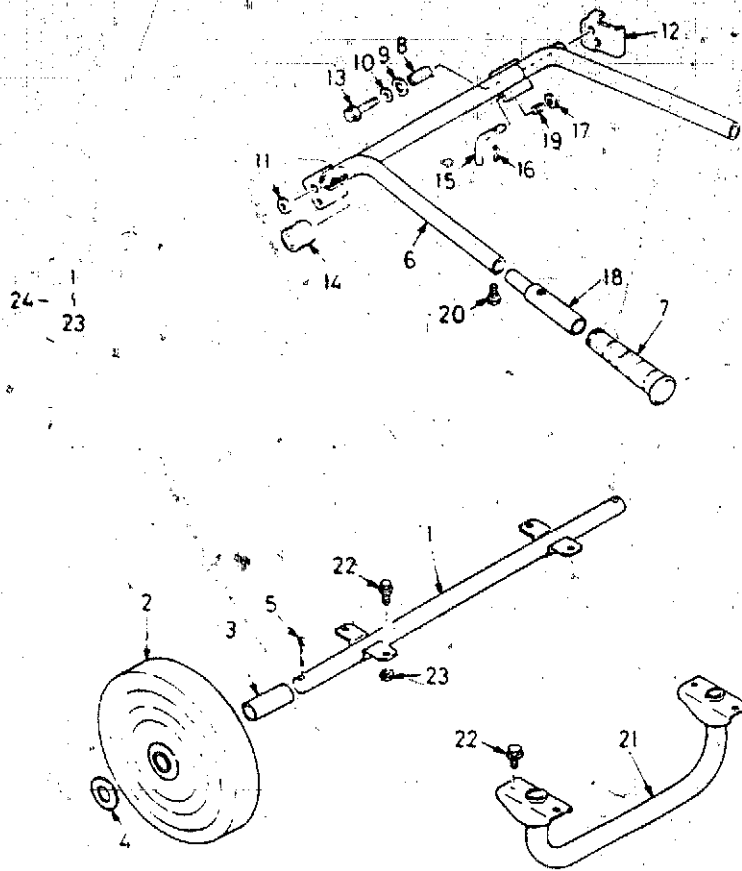
Chassis 1



A:K5000B, B:K5000

Ref. No.	Part No.	Qty. Used		Part Description
		A	B	
1	185-4427	1	—	Seat
2	185-4429	1	—	Stay
3	185-4430	1	—	Stay
4	185-4431	1	—	Plate
5	185-4432	2	—	Rod.Screw
6	185-3026	4	—	Nut
7	185-3009	2	—	Bolt
8	185-4435	4	—	Bolt
9	185-4436	2	—	Cover
10	185-3026	4	—	Nut
11	185-4456	1	1	Hanger
12	185-4339	4	4	Screw
13	185-4462	1	—	Wire
14	185-4463	1	—	Wire
15	185-4464	1	—	Bolt
16	185-2376	1	—	Washer.Plain

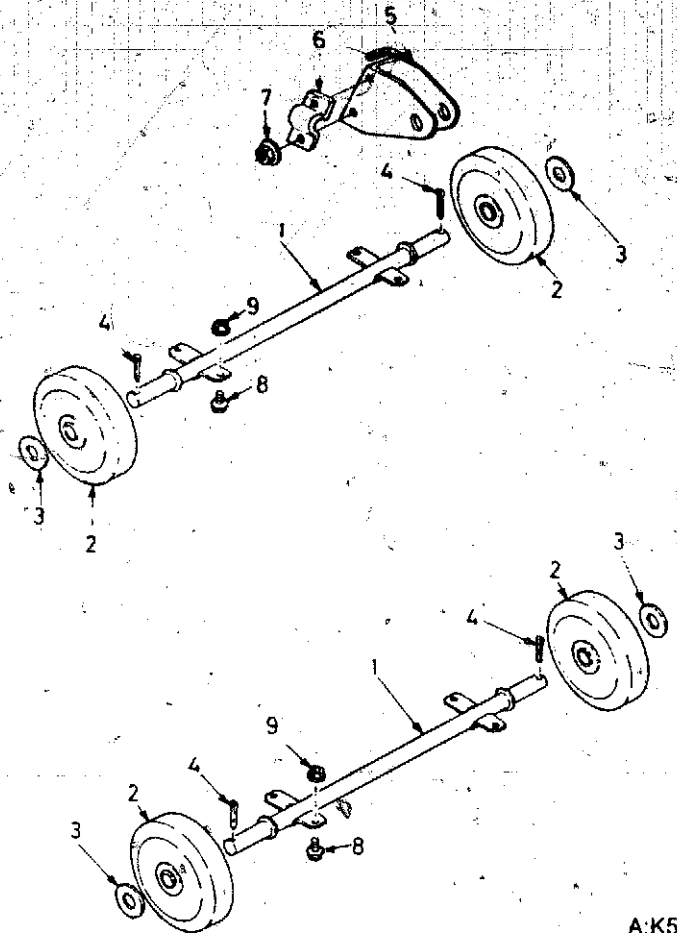
Chassis 2 (Option)



A:K5000B, B:K5000

Ref. No.	Part No.	Qty. Used		Part Description
		A	B	
1	185-4437	1	1	Axle
2	185-4438	2	2	Caster
3	185-4439	2	2	Shaft
4	185-4440	2	2	Washer, Plain
5	185-4441	2	2	Pin, Cotter
6	185-4442	1	1	Handle
7	185-4443	2	2	Grip
8	185-4444	2	2	Collar
9	185-4445	2	2	Washer
10	185-2378	2	2	Washer, Plain
11	185-2777	1	1	Washer, Plain
12	185-4446	1	1	Bracket
13	185-4447	2	2	Bolt
14	185-4448	2	2	Stopper, Handle
15	185-4449	1	1	Bar, Handle
16	185-4450	1	1	Pin, Spring
17	185-4451	1	1	Washer, Plain
18	185-4452	2	2	Boot, Handle
19	189-4453	1	1	Spring
20	185-4339	2	2	Bolt
21	185-4454	1	1	Stand, Main
22	185-4455	8	8	Bolt
23	185-3033	4	4	Nut
24	185-4928	1	1	2 Wheel Kit

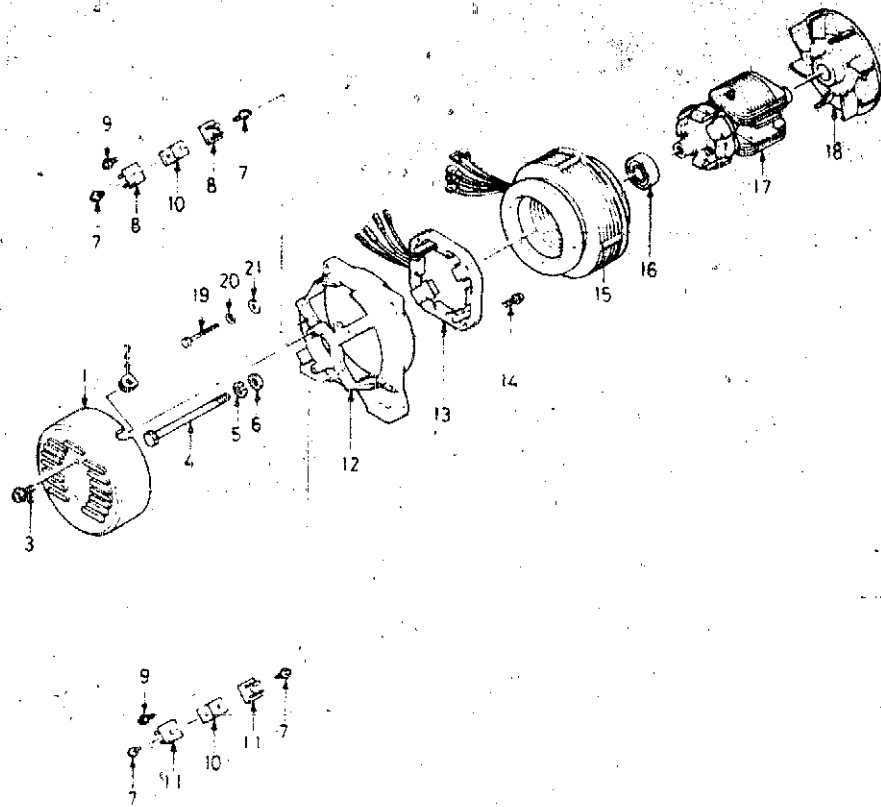
Chassis 3 (Option)



A:K5000B, B:K5000

Ref. No.	Part No.	Qty. Used		Part Description
		A	B	
1	185-4458	2	2	Axle
2	185-4459	4	4	Caster
3	185-4440	4	4	Washer.Plain
4	185-4441	4	4	Pin.Cotter
5	185-4460	1	1	Brake
6	185-4461	1	1	Clamp
7	185-3033	2	2	Nut
8	185-4455	8	8	Bolt
9	185-3033	8	8	Nut
10	185-4929	1	1	4-Wheel Kit

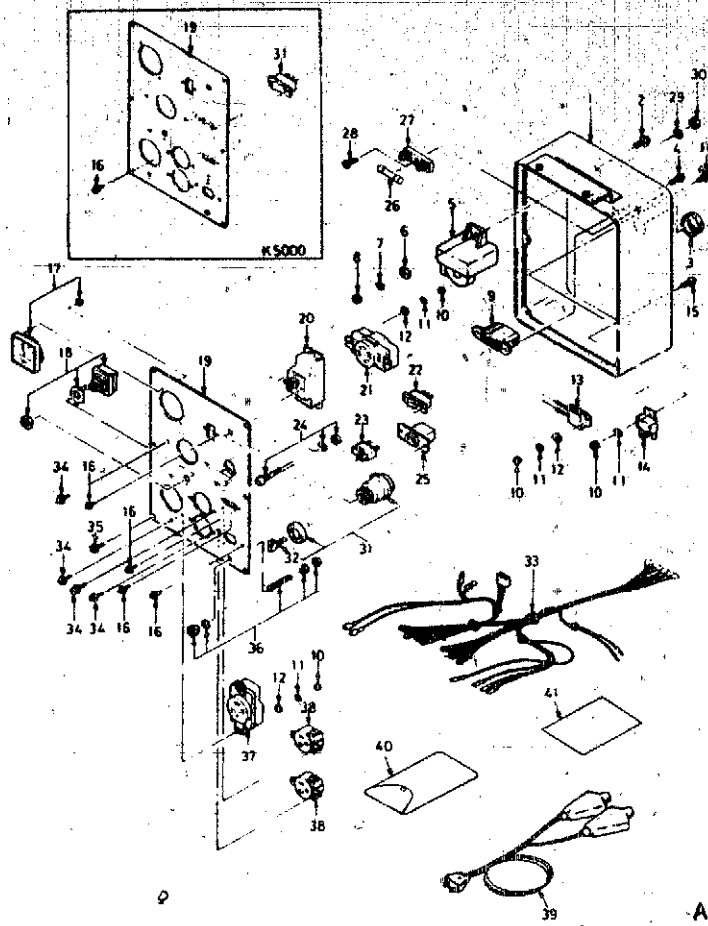
Generator



A:K5000B. B:K5000

Ref. No.	Part No.	Qty Used		Part Description
		A	B	
1	185-4353	1	1	Cover,End
2	185-4354	1	1	Ring,Rubber
3	185-3044	2	2	Screw
4	185-4356	1	1	Bolt
5	185-4357	1	1	Washer,Spring
6	185-3069	1	1	Washer,Plain
7	185-4355	4	4	Screw
8	185-4359	2	2	Diode (1)
9	185-3045	4	4	Screw
10	185-4361	2	2	Bracket
11	185-4362	2	2	Silicon Diode (2)
12	185-4363	1	1	End,Bell
13	185-4364	1	1	Ex.Stator
14	185-3048	4	4	Screw
15	185-4366	1	1	Stator Assy
16	185-4367	1	1	Bearing
17	185-4368	1	1	Rotor
18	185-4369	1	1	Fan
19	185-4370	4	4	Bolt
20	185-2380	4	4	Washer,Spring
21	185-2376	4	4	Washer,Plain

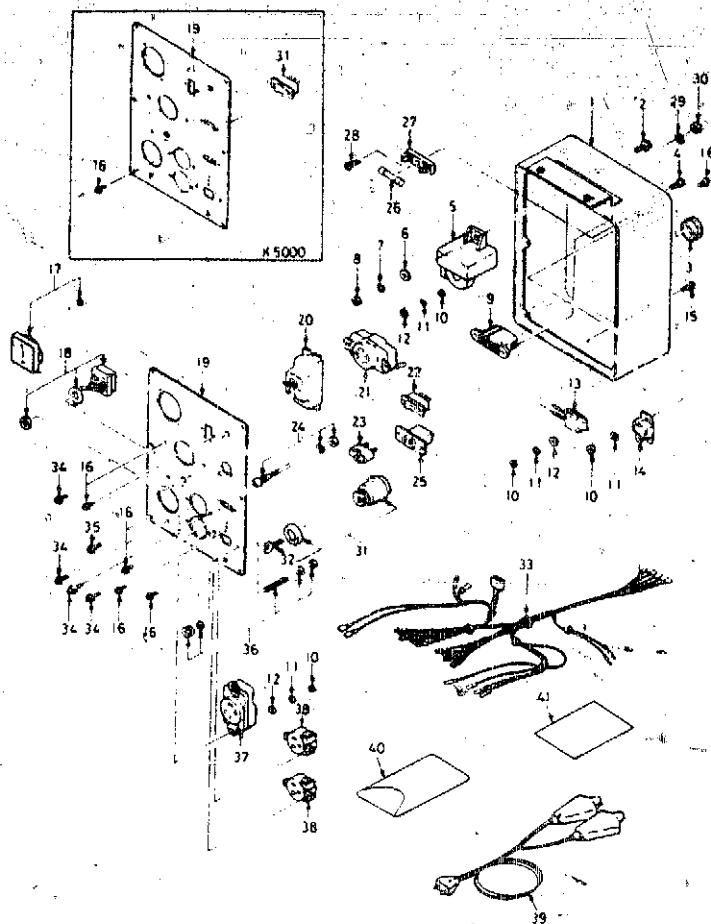
Control Box



A:K5000B, B:K5000

Ref. No.	Part No.	Qty. Used		Part Description
		A	B	
1	185-4371	1	1	Box
2	185-4372	1	1	Screw
3	185-4373	1	-	Grommet
3	185-4922	-	1	Grommet
4	185-4374	2	2	Screw
5	185-4375	1	1	Slow Down Unit
6	185-2376	1	1	Washer.Plain
7	185-2380	1	1	Washer.Spring
8	185-3026	1	1	Nut
9	185-4376	1	1	Board.Terminal
10	185-3066	8	8	Washer.Plain
11	185-3070	8	8	Washer.Spring
12	185-3029	8	8	Nut
13	185-4377	1	1	Posistor
14	185-4378	1	-	Diode
15	185-4379	1	-	Screw
16	185-4380	10	12	Screw
17	185-4381	1	1	Voltage Meter
18	185-4382	1	1	Switch.Toggle
19	185-4383	1	-	Plate
19	185-4923	-	1	Plate
20	185-4384	1	1	Breaker.Circuit
21	185-4385	1	1	Receptacle
22	185-4386	1	1	Switch.Auto Idler
23	185-4387	1	1	Breaker.Circuit
24	185-4388	1	1	Lamp.Oil Warning
25	185-4389	1	1	Receptacle
26	185-4390	1	-	Fuse
27	185-4391	1	-	Holder.Fuse

Control Box



A:K5000B, B:K5000

Ref. No.	Part No.	Qty. Used		Part Description
		A	B	
28	185-3041	1	1	Screw
29	185-4942	1	1	Washer.Spring
30	185-4943	1	1	Nut
31	185-4392	1	—	Switch.Engine
31	185-4386	—	1	Switch.Auto Idler
32	185-4398	2	—	Key
33	185-4393	1	1	Harness.Wiring
34	185-4867	6	6	Screw
35	185-3044	6	6	Screw
36	185-4395	1	1	Terminal.Ground
37	185-4396	1	1	Receptacle
38	185-4397	2	2	Receptacle
39	185-4080	1	1	Cord.Charge
40	185-4079	1	1	Bag.Tool
41	185-4881	1	1	Manual.Instruction

Service Parts

A:K5000B, B:K5000

Ref. No.	Part No.	Qty. Used		Part Description
		A	B	
1	416-0617	1	-	Battery
2	185-4882	1	1	Tool.Rotor Pull
3	185-4906	1	1	Puller