

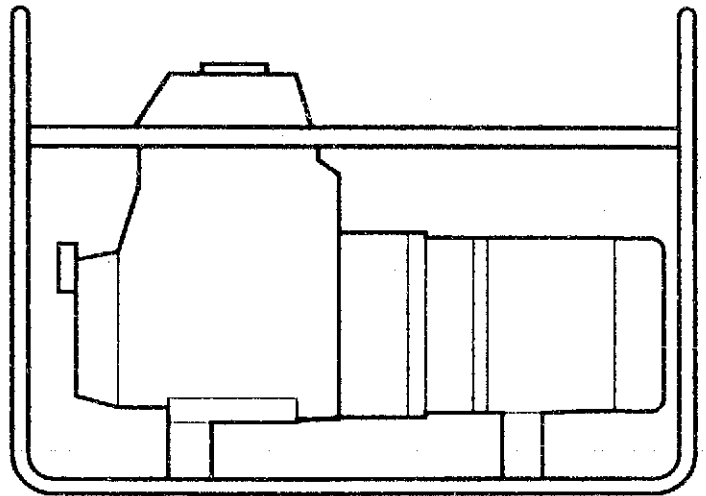
The following catalog has gaps in its page numbers, or doesn't have any numbers. We have chosen to leave the page numbering in the order that Acrobat assigns it.

Onan

PARTS CATALOG

14EGS

Generating Set



981-0241
4-93 (Spec A-B)
Replaces 8/90 (Spec A-B)

Redistribution or publication of this document by any means, is strictly prohibited.

Introduction

This manual applies to the Portable Generator Sets as listed in the Generator Set Data Table. Parts are arranged in groups of related items and each illustrated part is identified by a reference number corresponding to the same reference number in the parts list. Parts illustrations are typical. Using the model and specification number from your generator set nameplate, select parts that apply to your set. Right and left sides are determined by facing the engine end (front) of the set.

Generator Set Data Table

MODEL AND SPECIFICATION	WATTS	RPM	VOLTS	HERTZ	WIRE	PHASE	STARTING
1.4EGS-AA*	1400	3600	120	60	2	1	Recoil

- * - The diagonal line (/) in the model and specification number separates generator set characteristics from the specification number and letter. The specification number denotes customer requested options or deviations from a standard model. The specification letter advances (A to B, B to C, etc.) with major manufacturing changes.

Index

- Adapter, 15, 16
- Bag, Tools, 14
- Bearing, Ball – Crankshaft, 8
- Bearing, Ball – Generator, 15, 16
- Block, Cylinder, 3
- Body, Cleaner – Air, 5
- Breaker, Circuit (Spec 1), 17
- Breaker, Circuit (Spec 14000), 18
- Breather, 4

- Cable, Battery (Spec 1), 17
- Cable, Battery (Spec 14000), 18
- Camshaft, 7
- Cap, Plug – Spark, 12
- Cap, Tank – Fuel, 9
- Capacitor, 15
- Carburetor, 5
- Carburetor Components, 13
- Case, Spiral, 12
- Case, Starter – Recoil, 11
- Chamber, Float, 13
- Cleaner, Air, 5
- Coil, Ignition, 12
- Collar, 10
- Collet, Spring – Valve, 4
- Condenser, 16
- Control (Spec 1), 17
- Control (Spec 14000), 18
- Cover Assy, End, 16
- Cover, Cleaner – Air, 5
- Cover, End, 15
- Cover, Flange – Muffler, 6
- Cover, Stator, 15, 16
- Cover, Tappet, 4
- Cowling, Cylinder, 12
- Crankcase, 3
- Crankshaft, 8

- Diode, 16
- Diode Assy, DC, 15

- Element, Cleaner – Air, 5
- Element, Filter – Fuel, 9
- Endbell, 15, 16
- Engine, Replacement, 3

- Filter, Fuel, 9
- Float, 13

- Gear, Camshaft, 7
- Gear, Crankshaft, 8
- Gear, Governor, 7
- Generator, Replacement, 15, 16
- Guide, Valve, 3

- Head, Cylinder, 3

- Label, Choke, 5
- Label, Cleaner – Air, 5
- Label, Electric – Starter, 11
- Label, Speed – Magneto, 12
- Labels, Control (Spec 1), 17
- Labels, Control (Spec 14000), 18
- Lamp, Watch – Oil, 12
- Lever, Control – Speed, 10
- Lever, Governor, 10

- Magneto, 12
- Mount, Vibration (Spec 1), 17
- Mount, Vibration (Spec 14000), 18
- Muffler, 6

- Nameplate, 12
- Nozzle, Main, 13

- Pin, Piston, 8
- Pipe, Breather, 4
- Pipe, Fuel, 9
- Piston, 8
- Plate, Cleaner – Air, 5
- Plate, Control, 10
- Plate, Pressure, 10
- Plug, Spark, 12
- Pot, Filter, 9
- Pulley, Start, 11

- Receptacle, Duplex (Spec 1), 17
- Receptacle, Duplex (Spec 14000), 18
- Reel, 11
- Ring Set, Piston, 8
- Rod Assy, Connecting, 8
- Rod, Joint – Governor, 10
- Rollcage (Spec 1), 17
- Rollcage (Spec 14000), 18
- Rope, Starter, 11
- Rotor, Generator, 15, 16
- Rotor, Magneto, 12

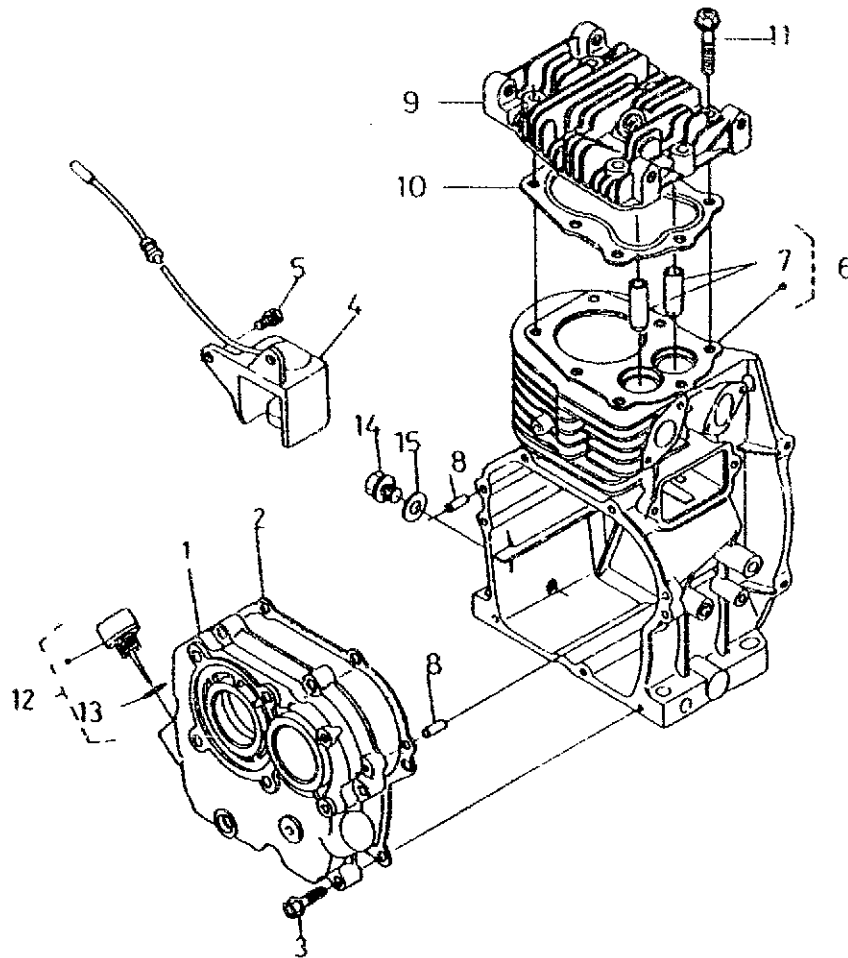
- Shaft, Governor, 10
- Sleeve, Governor, 7
- Starter, Recoil, 11
- Starter, Recoil Sub., 11
- Stator, 15, 16
- Strap, Ground (Spec 1), 17
- Strap, Ground (Spec 14000), 18
- Switch, Stop, 12

- Tank, Fuel, 9
- Tappet, 7
- Tools, 14

- Valve, 4
- Valve, Float, 13

- Watch, Oil, 3

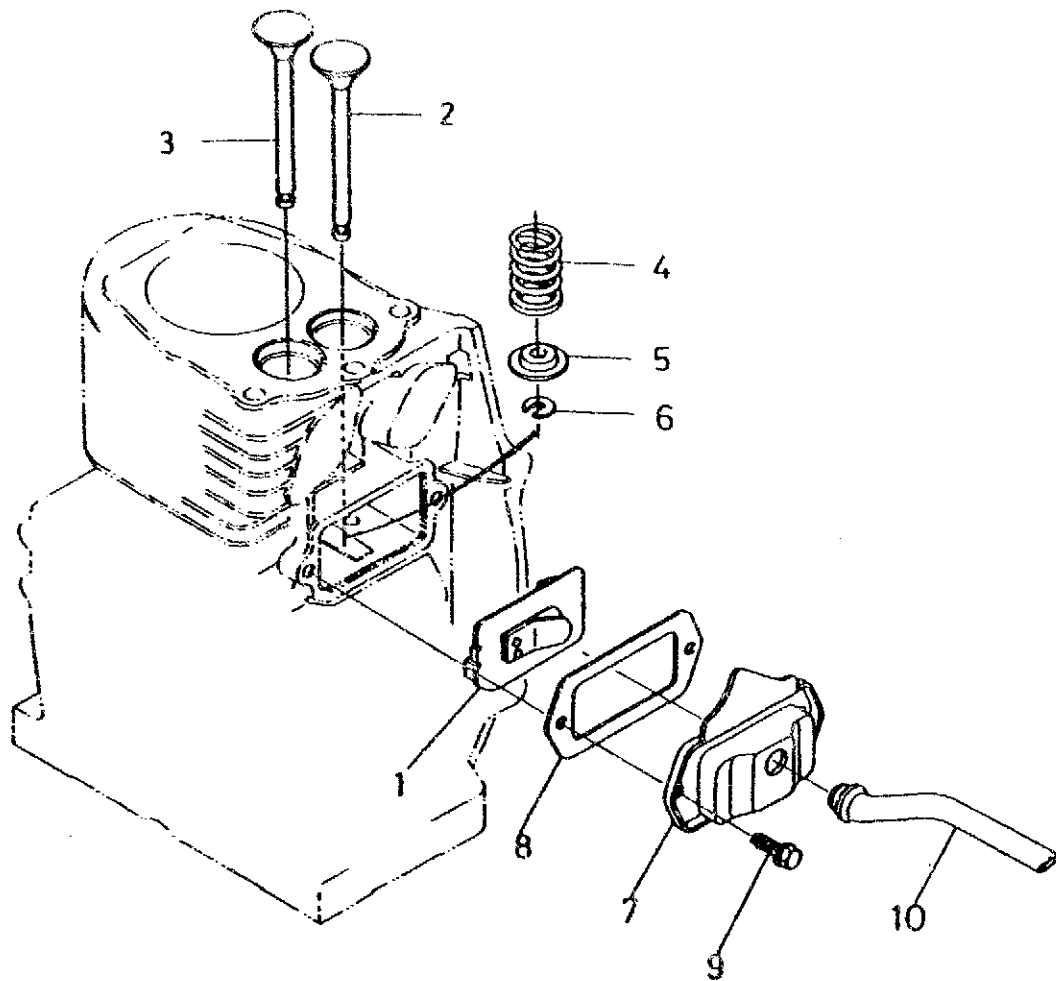
Cylinder Block



REF NO.	PART NO.	QTY USED	PART DESCRIPTION	REF NO.	PART NO.	QTY USED	PART DESCRIPTION
	100-2950	1	Replacement Engine	10	185-3628	1	Gasket, Head
1	185-5207	1	Crankcase	11	185-3629	1	Bolt, Head
2	185-3625	1	Gasket, Crankcase	12	185-3654	1	Plug Assy, Fill - Oil
3	185-3691	7	Bolt	13	185-3078	1	Ring
4	185-3184	1	Watch, Oil	14	185-3656	1	Plug, Drain
5	185-2570	2	Bolt	15	185-3077	1	Gasket, Plug - Drain
6	NFS*	1	Block, Cylinder				
7	185-5239	?	Guide, Valve				
8	185-3082	2	Pin, Straight				
9	185-3627	2	Head, Cylinder				

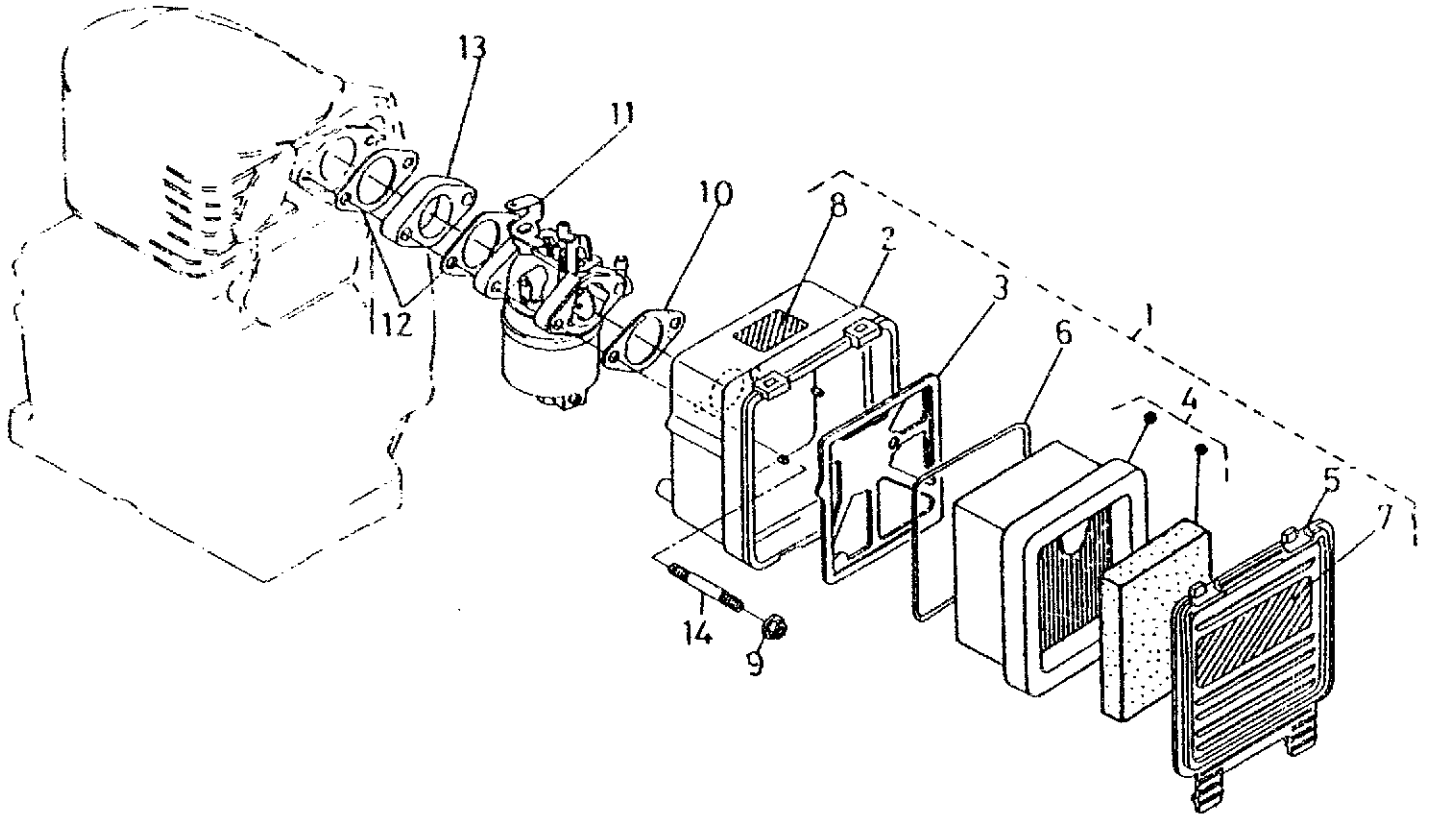
*Not For Sale Must - Buy Replacement Engine.

Breather



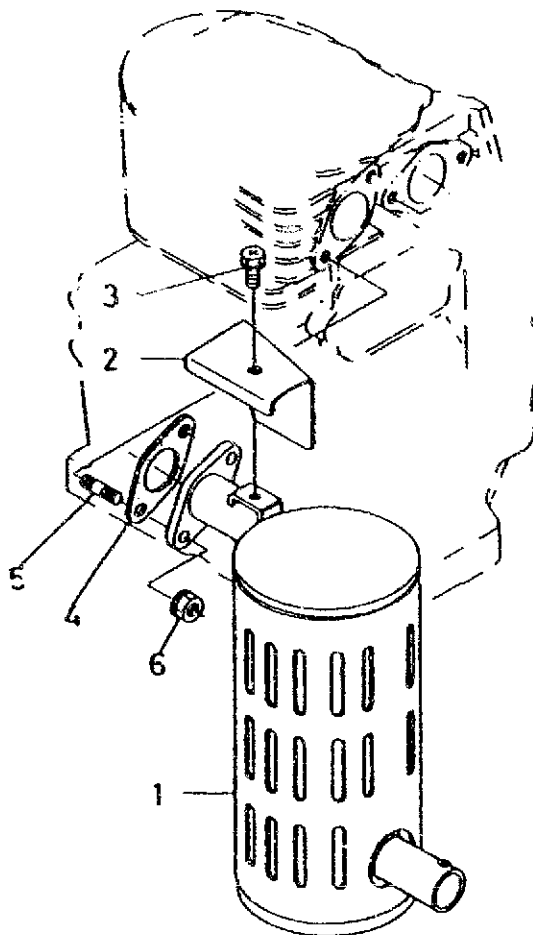
REF NO.	PART NO.	QTY USED	PART DESCRIPTION	REF NO.	PART NO.	QTY USED	PART DESCRIPTION
1	185-4888	1	Breather	6	185-3641	2	Collet, Spring - Valve
2	185-4886	1	Valve, Inlet	7	185-3104	1	Cover, Tappet
3	185-2985	1	Valve, Exhaust	8	185-3105	1	Gasket
4	185-3639	2	Spring, Valve	9	185-3692	2	Bolt
5	185-3640	2	Retainer, Spring - Valve	10	185-2496	1	Pipe, Breather

Air Cleaner



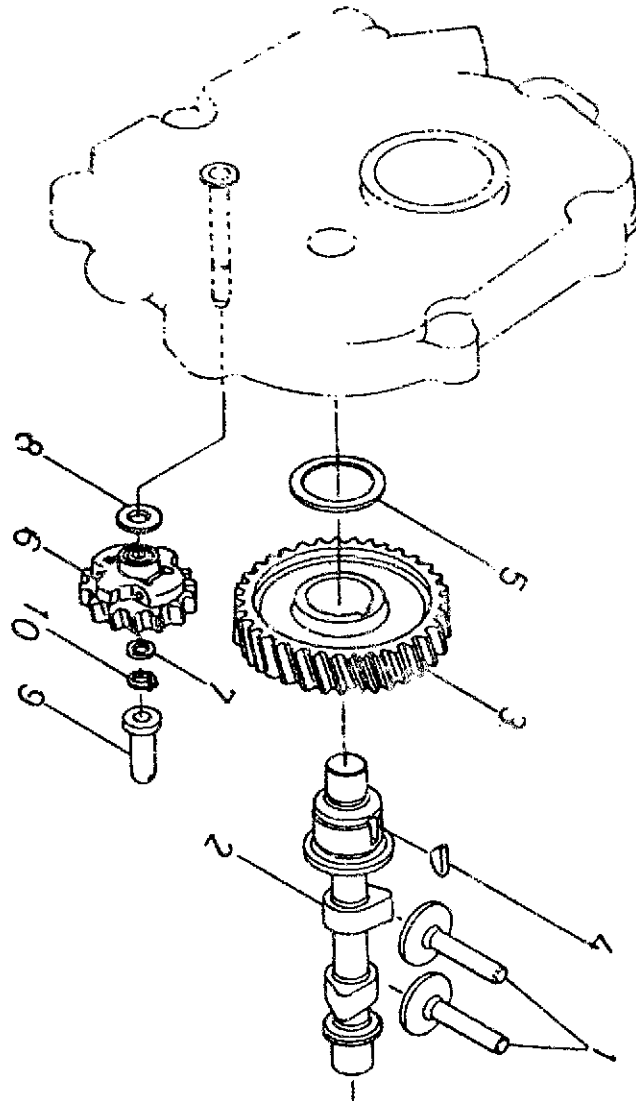
REF NO.	PART NO.	QTY USED	PART DESCRIPTION	REF NO.	PART NO.	QTY USED	PART DESCRIPTION
1	185-5229	1	Cleaner Assy, Air	8	185-2931	1	Label, Choke
2	185-2987	1	Body, Cleaner - Air	9	185-3697	2	Nut
3	185-2989	1	Plate	10	185-2928	1	Gasket, Cleaner - Air
4	185-2536	1	Element	11	185-2535	1	Carburetor
5	185-2988	1	Cover, Cleaner - Air	12	185-2951	2	Gasket, Carburetor
6	185-5234	1	Gasket, Cleaner - Air	13	185-3673	1	Flange, Carburetor
7	185-2932	1	Label, Cleaner - Air	14	185-4550	2	Stud

Muffler



REF NO.	PART NO.	QTY USED	PART DESCRIPTION	REF NO.	PART NO.	QTY USED	PART DESCRIPTION
1	185-5228	1	Muffler	4	185-3637	1	Gasket, Muffler
2	185-3213	1	Cover, Flange - Muffler	5	185-3384	2	Stud
3	185-2981	1	Bolt, Flange	6	185-3697	2	Nut

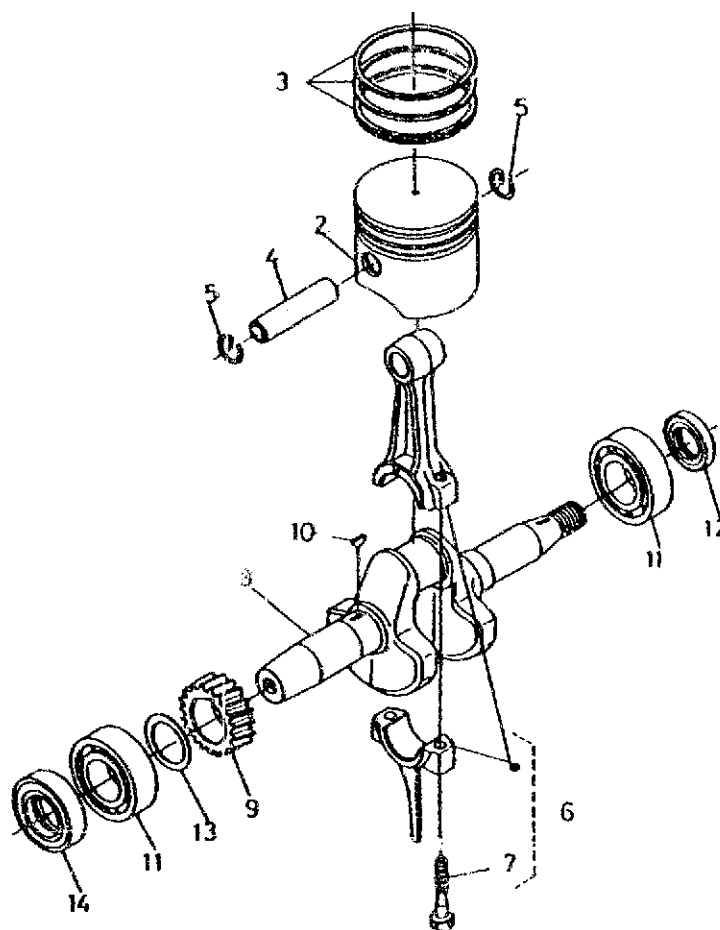
Camshaft



REF NO.	PART NO.	QTY USED	PART DESCRIPTION	REF NO.	PART NO.	QTY USED	PART DESCRIPTION
1	185-3644	2	Tappet	6	185-3674	1	Gear, Governor
2	185-2982	1	Camshaft	7	185-3484	1	Washer
3	185-5230	1	Gear, Camshaft	8	185-3485	1	Washer
4	185-3087	1	Key, Woodruff	9	185-3675	1	Sleeve, Governor
5			Shim	10	185-3487	1	Stopper
	185-3699	1	0.20mm				
	185-3700	1	0.25mm				
	185-3701	1	0.30mm				
	185-3702	1	0.35mm				
	185-3703	1	0.40mm				
	185-3704	1	0.50mm				

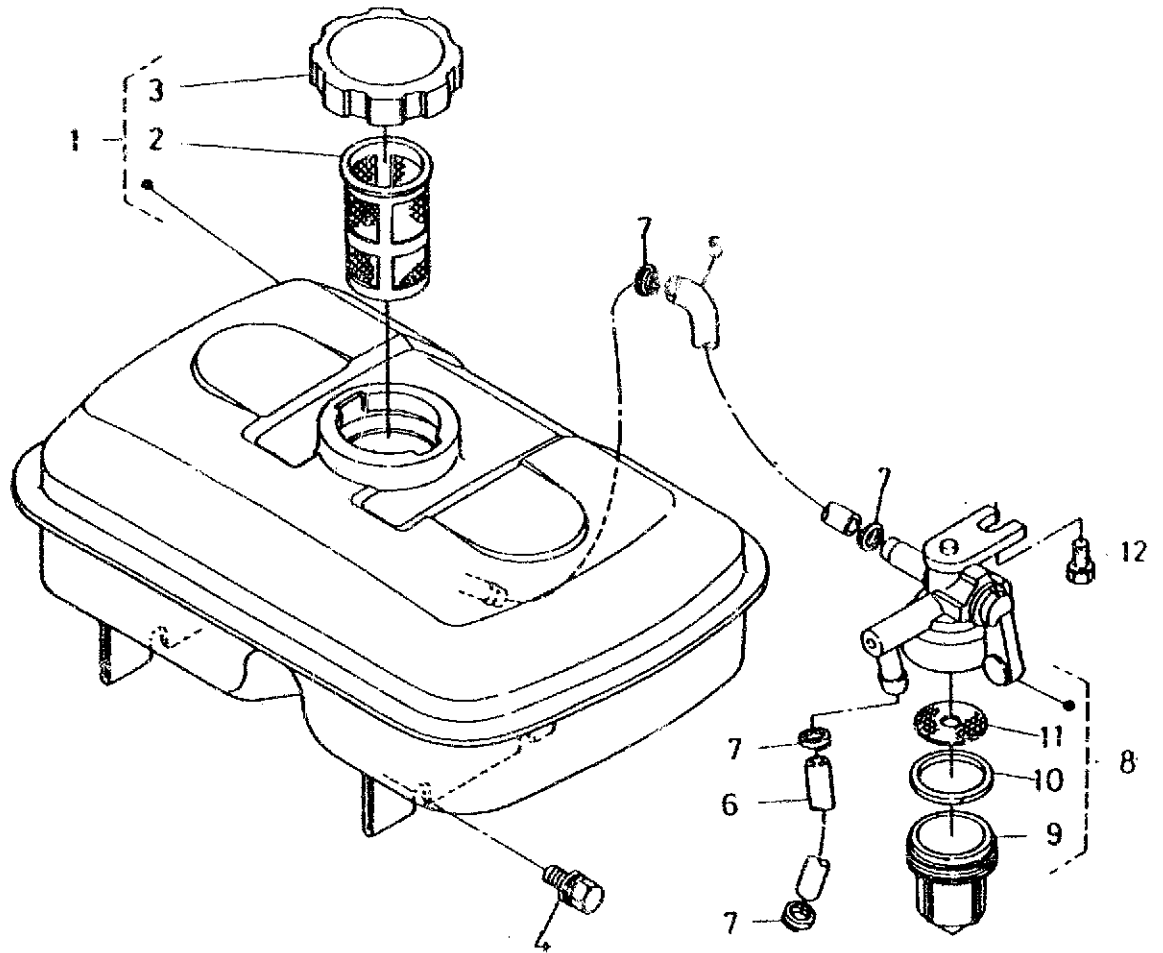


Crankshaft



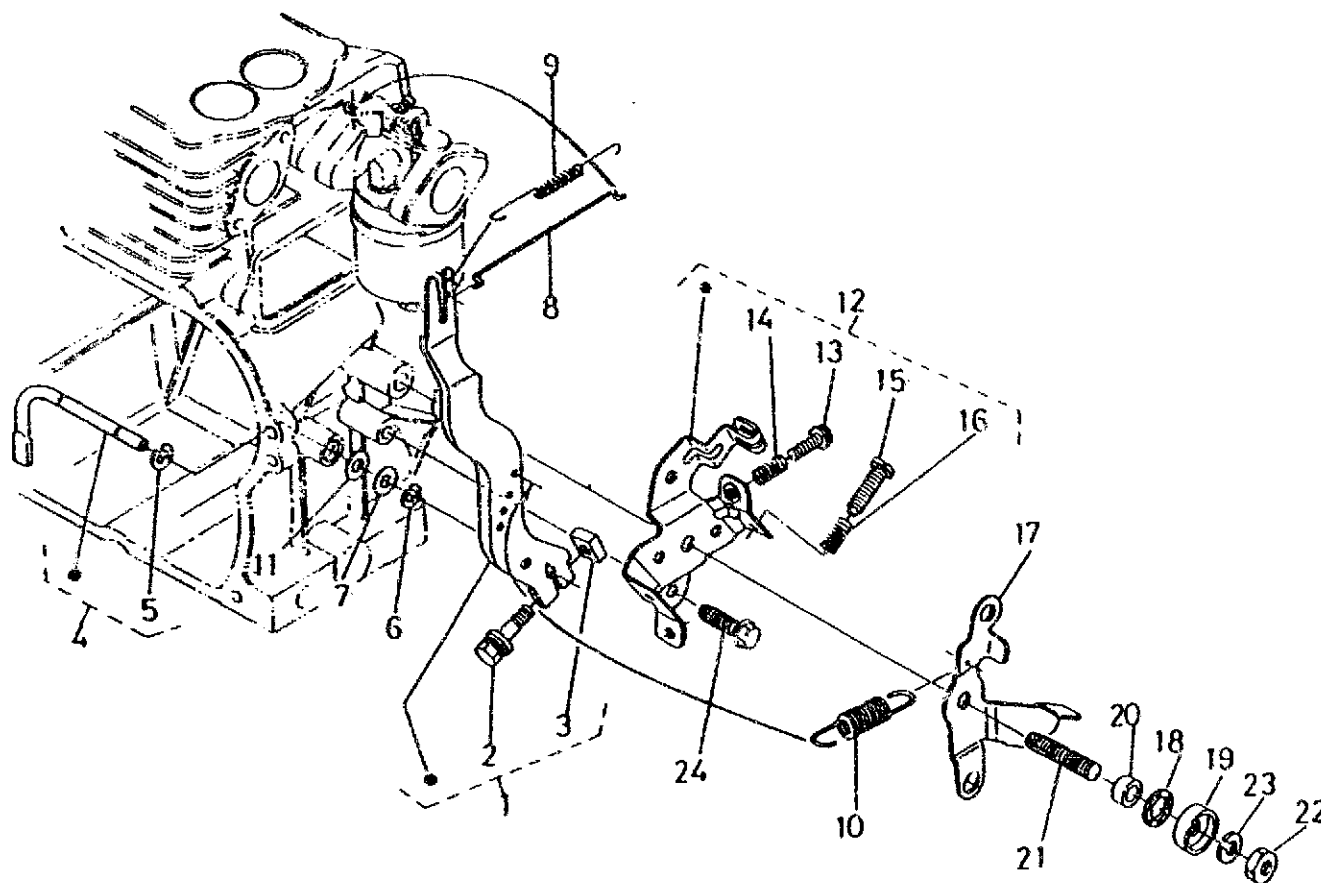
REF NO.	PART NO.	QTY USED	PART DESCRIPTION	REF NO.	PART NO.	QTY USED	PART DESCRIPTION
2	185-3647	1	Piston Standard	10	185-3087	1	Key, Woodruff
	185-5242	1	0.25 O.S.	11	185-3093	2	Bearing Ball
	185-4089	1	0.50 O.S.	12	185-3101	1	Seal, Oil
3			Ring Set, Piston	13			Shim
	185-3646	1	Standard		185-3362	1	0.20mm
	185-5240	1	0.25 O.S.		185-3296	1	0.25mm
	185-4090	1	0.50 O.S.		185-3297	1	0.30mm
4	185-3648	1	Pin, Piston		185-3295	1	0.35mm
5	185-3306	2	Cir-Clip, Pin		185-3296	1	0.40mm
6	185-3649	1	Rod Assy, Connecting		185-3359	1	0.45mm
7	185-3651	2	Bolt, Rod - Connecting		185-3360	1	0.50mm
8	185-2538	1	Crankshaft		185-3361	1	0.55mm
9	185-5231	1	Gear, Crankshaft	14	185-3102	1	Seal, Oil

Fuel Tank



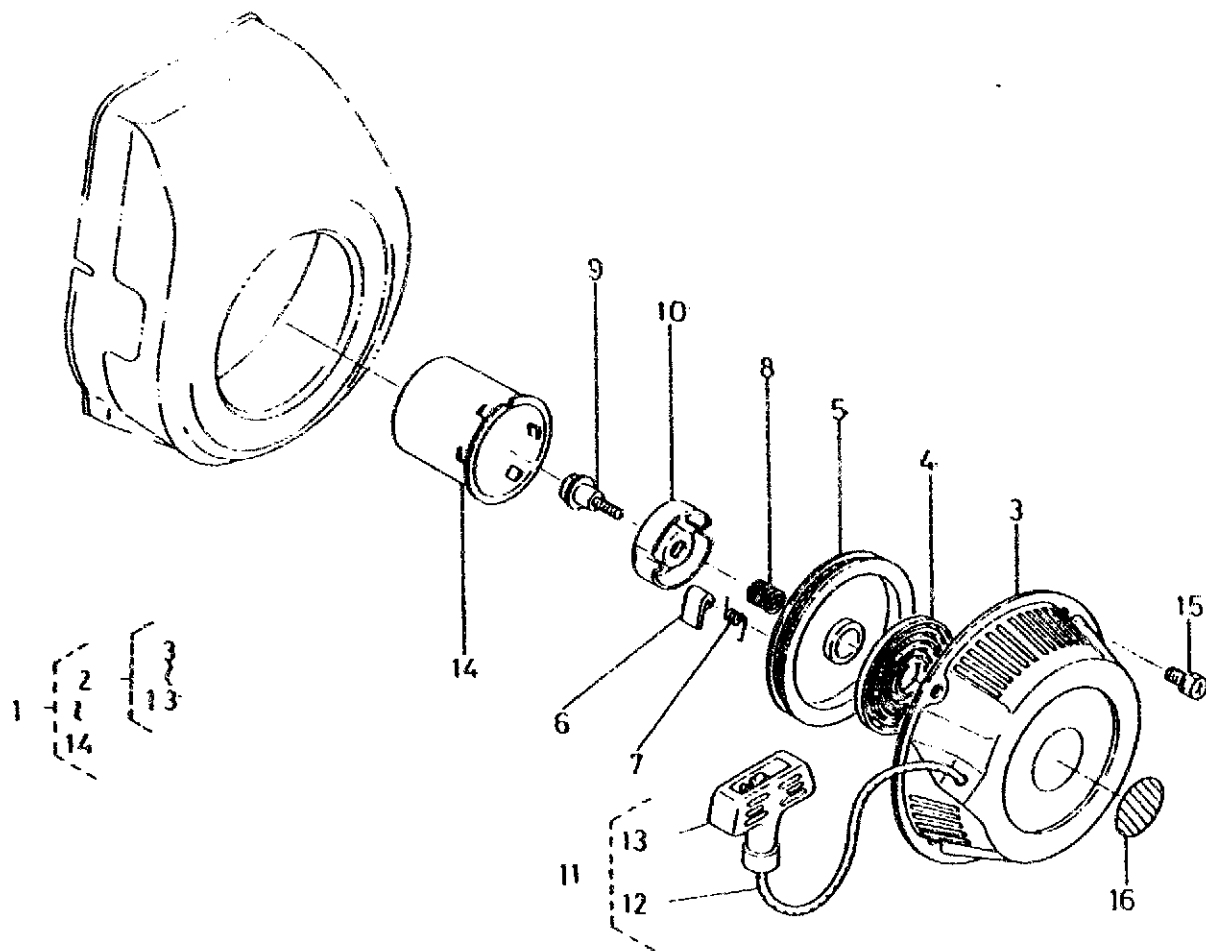
REF NO.	PART NO.	QTY USED	PART DESCRIPTION	REF NO.	PART NO.	QTY USED	PART DESCRIPTION
1	185-5208	1	Tank Assy, Fuel	7	185-3372	4	Clip, Pipe - Fuel
2	185-3658	1	Filter, Fuel	8	185-2997	1	Filter Assy, Fuel
3	185-3657	1	Cap, Tank - Fuel	9	185-2998	1	Pot, Filter
4	185-2974	4	Bolt	10	185-2930	1	Gasket
5	185-5235	1	Pipe, Fuel	11	185-2540	1	Element, Filter
6	185-3595	1	Pipe, Fuel	12	185-2570	1	Bolt

Governor Lever



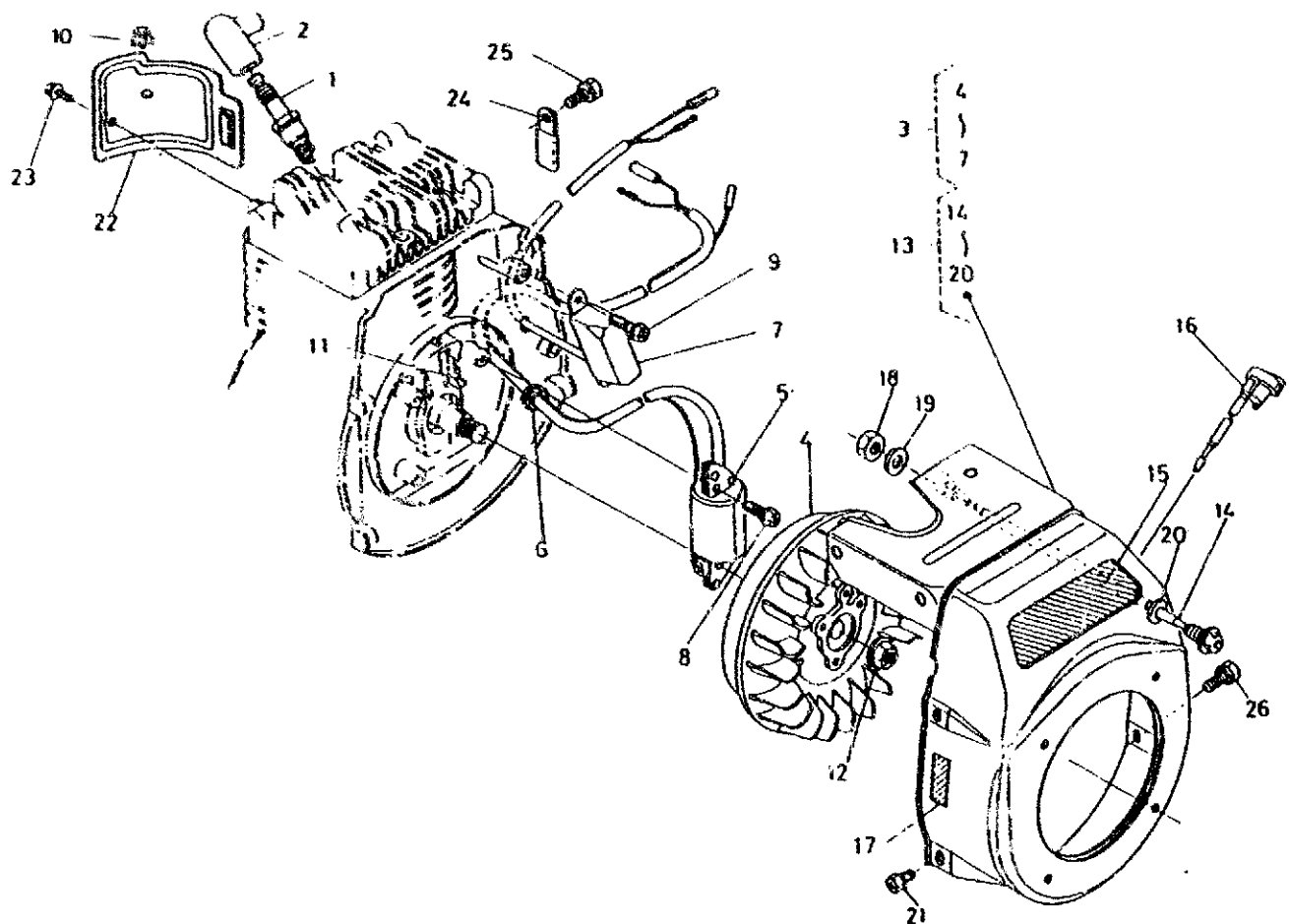
REF NO.	PART NO.	QTY USED	PART DESCRIPTION	REF NO.	PART NO.	QTY USED	PART DESCRIPTION
1	185-5243	1	Lever Assy, Governor	13	185-2576	1	Screw, Pan Head
2	185-2973	1	Bolt	14	185-3520	1	Spring
3	185-5148	1	Nut	15	185-3387	1	Screw
4	185-5244	1	Shaft Assy, Governor	16	185-3496	1	Spring
5	185-2977	1	Cir-Clip, External	17	185-2980	1	Lever, Control - Speed
6	185-2977	1	Cir-Clip, External	18	185-3566	1	Washer, Spring
7	185-2376	1	Washer, Plain	19	185-4499	1	Plate, Pressure
8	185-3680	1	Rod, Joint - Governor	20	185-4498	1	Collar
9	185-3110	1	Spring, Con/Rod	21	185-3801	1	Stud
10	185-3241	1	Spring	22	185-2366	1	Nut
11	185-3679	1	Gasket	23	185-2381	1	Washer, Spring
12	185-2979	1	Plate Assy, Control	24	185-3692	1	Bolt

Recoil Starter



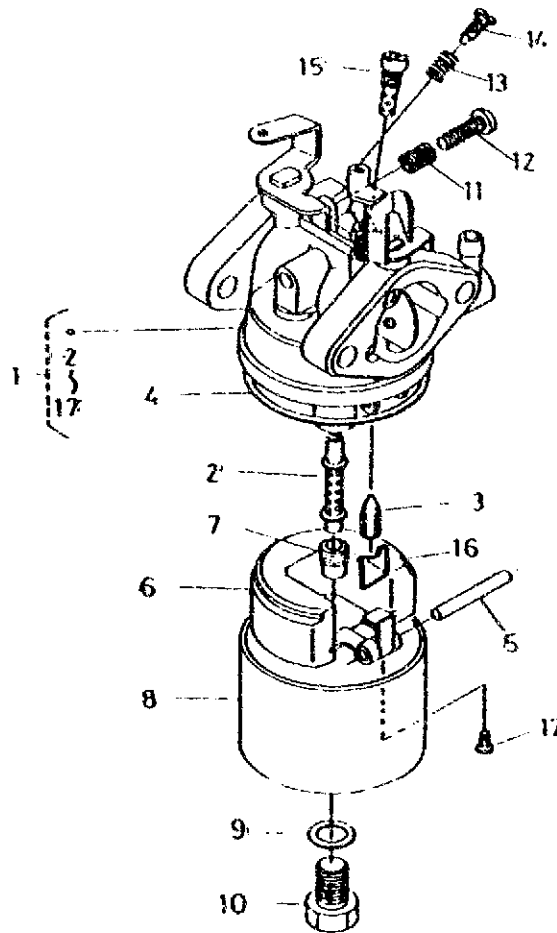
REF NO.	PART NO.	QTY USED	PART DESCRIPTION	REF NO.	PART NO.	QTY USED	PART DESCRIPTION
1	185-2537	1	Starter Assy, Recoil	9	185-2943	1	Screw, Center
2	185-2992	1	Starter Sub Assy, Recoil	10	185-5254	1	Retainer
3	185-2994	1	Case, Starter - Recoil	11	185-2993	1	Rope Assy, Starter
4	185-5247	1	Spring, Spiral	12	185-2996	1	Rope, Starter
5	185-2995	1	Reel	13	185-2499	1	Handle
6	185-5284	2	Dog	14	185-5233	1	Pulley, Start
7	185-2942	2	Spring, Dog	15	185-3012	4	Bolt
8	185-5237	1	Spring, Brake	16	185-4944	1	Label, Electronic

Magneto



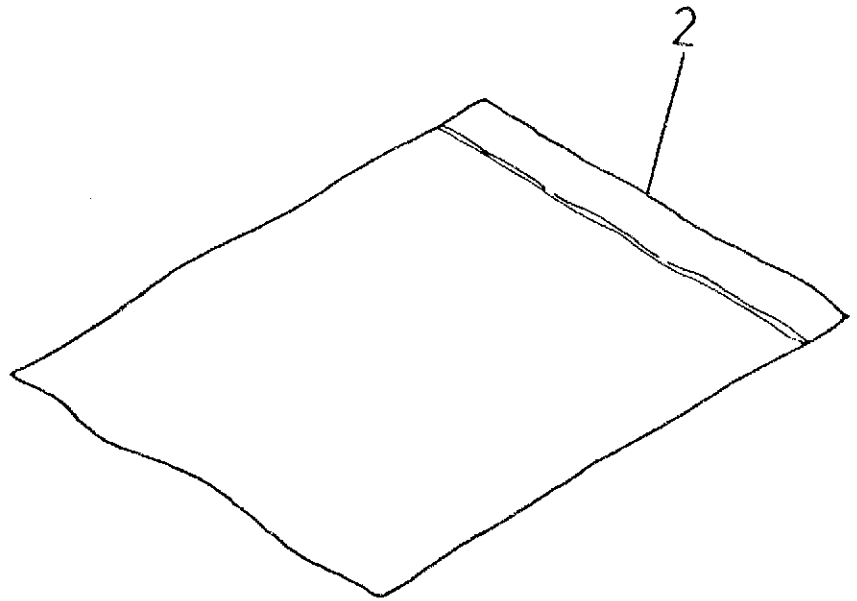
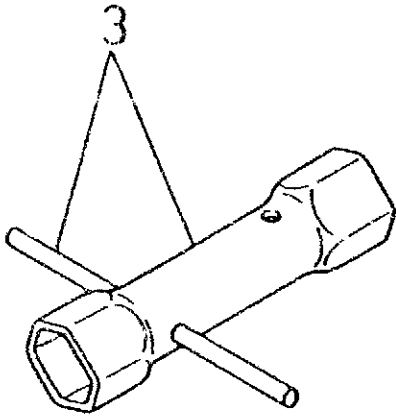
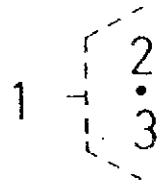
REF NO.	PART NO.	QTY USED	PART DESCRIPTION	REF NO.	PART NO.	QTY USED	PART DESCRIPTION
1	185-2543	1	Plug, Spark	14	185-3186	1	Lamp, Watch - Oil
2	185-2926	1	Cap, Plug - Spark	15	185-3725	1	Nameplate
3	185-4889	1	Magneto Assy	16	185-5274	1	Switch, Stop
4	185-3109	1	Rotor	17	185-2777	1	Label, Speed
5	185-3106	1	Coil, Ignition	18	185-3035	1	Nut
6	185-3827	1	Grommet	19	185-4069	1	Washer, Toothed
7	185-4890	1	Comp. Unit	20	185-3075	1	Gasket
8	185-3383	2	Bolt	21	185-3503	3	Bolt
9	185-3692	2	Bolt	22	185-4887	1	Cowling, Cylinder
10	185-3689	1	Clamp, Cord	23	185-3730	1	Bolt
11	185-4885	1	Key, Woodruff	24	185-5238	1	Clamp, Cord
12	185-2990	1	Nut, Flange	25	185-2563	1	Bolt
13	185-5209	1	Case Assy, Spiral	26	185-5251	1	Bolt

Carburetor



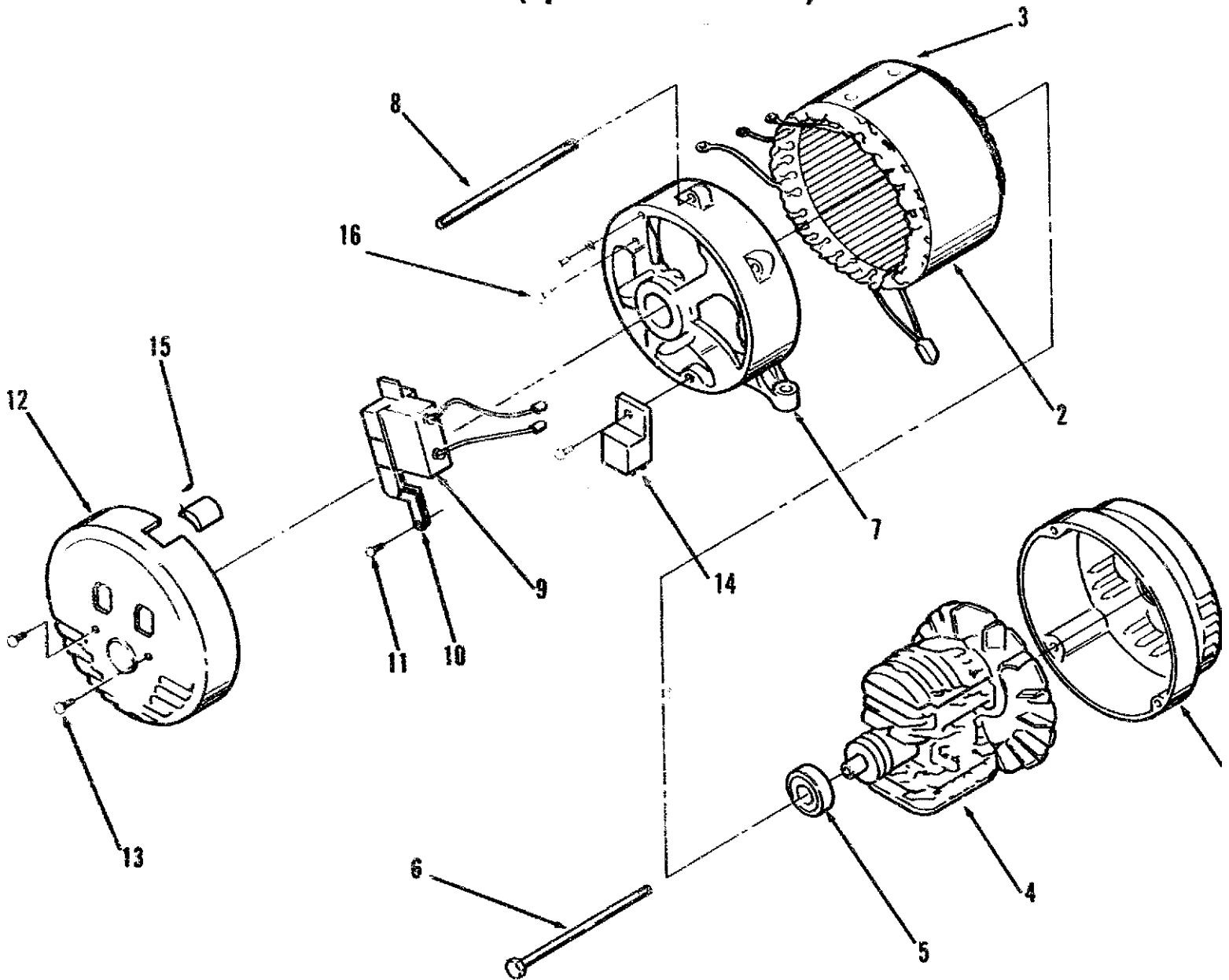
REF NO.	PART NO.	QTY USED	PART DESCRIPTION	REF NO.	PART NO.	QTY USED	PART DESCRIPTION
1	185-2535	1	Carburetor	11	185-3403	1	Spring
2	185-3829	1	Nozzle, Main	12	185-3664	1	Screw, Fillister Head
3	185-3406	1	Valve, Float	13	185-3174	1	Spring
4	185-3668	1	Gasket	14	185-3404	1	Screw, Adjusting
5	185-3669	1	Pin, Arm	15			Jet, Main
6	185-3666	1	Float		185-2968	1	Standard
7	185-5232	1	Jet, Main		185-5088	1	Hi Altitude
8	185-2984	1	Chamber, Float	16	185-3407	1	Clip
9	185-3405	1	Gasket	17	185-4674	1	Screw, Set
10	185-3665	1	Bolt				

Tools



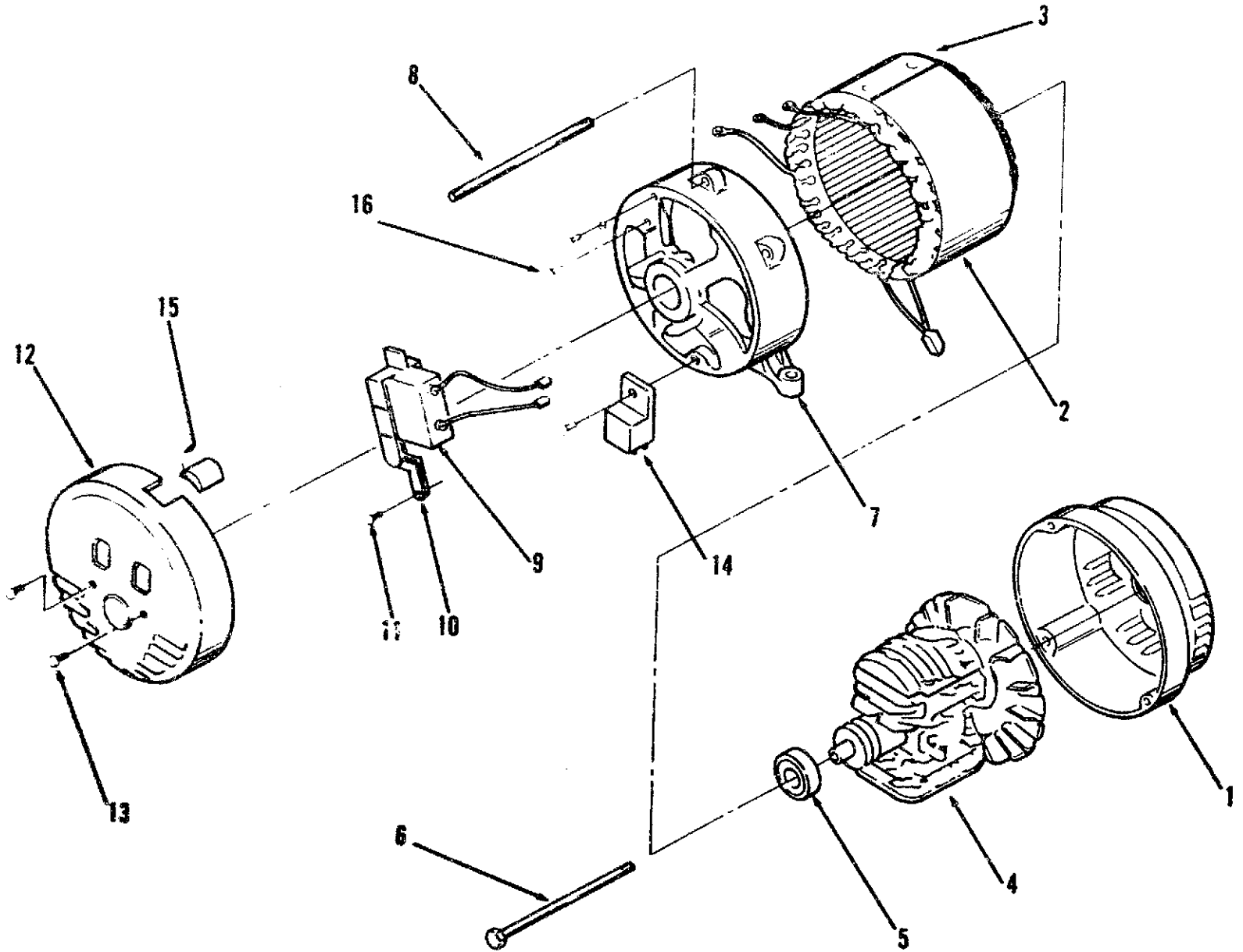
REF NO.	PART NO.	QTY USED	PART DESCRIPTION
1	185-5245	1	Bag Assy, Tools
2	185-2754	1	Bag, Tools
3	185-5246	1	Box, Plug

Generator (Spec 1 - Prior to 7/90)



REF NO.	PART NO.	QTY USED	PART DESCRIPTION	REF NO.	PART NO.	QTY USED	PART DESCRIPTION
	249-0679	1	Replacement Generator	9	249-0690	1	Capacitor
1	249-0687	1	Adapter	10	249-0691	1	Holder, Capacitor
2	249-0697	1	Stator	11	249-0720	2	Screw, Bolder Capacitor
3	249-0700	1	Cover, Stator	12	249-0708	1	Cover, End
4	249-0702	1	Rotor	13	249-0693	2	Bolt, End Cover
5	249-0688	1	Bearing, Ball	14	249-0719	1	Diode Assembly, DC
6	249-0704	1	Bolt, Rotor Mount	15	249-0695	1	Bushing, Rubber
7	249-0689	1	Endbell	16	249-0724	1	Screw, Earth
8	249-0706	4	Bolt, Stator Mount				

**Generator
(Spec 1 - Begin 7/90 and 14000)**



REF NO.	PART NO.	QTY USED	PART DESCRIPTION	REF NO.	PART NO.	QTY USED	PART DESCRIPTION
	249-5068		Replacement Generator	9	249-0690	1	Condenser
1	249-0600	1	Adapter Assy	10	249-0691	1	Holder, Condenser
2	249-0754	1	Stator	11	249-0720	2	Screw
3	249-0700	1	Cover, Stator	12	249-0708	1	Cover Assy, End
4	249-0702	1	Rotor	13	249-0693	2	Bolt, Cover - End
5	249-0688	1	Bearing, Ball	14	185-5005	1	Diode
6	249-0704	1	Bolt, Mount - Rotor	15	249-0760	1	Grommet
7	249-0689	1	Endbell	16	249-0724	1	Screw, Earth
8	249-0706	4	Bolt, Mount - Stator				

**Control
(Spec 1)**

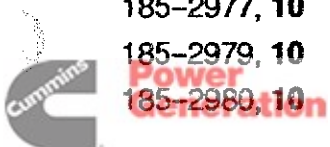
REF NO.	PART NO.	QTY USED	PART DESCRIPTION	REF NO.	PART NO.	QTY USED	PART DESCRIPTION
	327-0945	1	Rollcage		327-0839	1	Clip, Battery - Black
	337-2462	1	Strap, Ground		327-0840	1	Plug, DC - 12 Volt
	327-0887	1	Screw, Hex (5/16-18 x 3/4")		327-0838	1	Clip, Battery - Red
	327-0833	4	Mount, Vibration		098-6185-01	1	Label, Watt - 1400
	327-0880	4	Washer (5/16 x 1-1/2")		098-6388	1	Label, Phone Info
	327-0877	9	Nut (5/16-18)		098-6220	1	Label, "Serial Number"
	327-0836	4	Screw, Hex (5/16-24 x 3/4")		098-6190	1	Label, "Warning Exhaust Gas & Hot Exhaust Pipe"
	327-0882	4	Washer, Lock (5/16")		098-6191-01	1	Label, "Warning Gasoline Vapors"
	323-1106	1	Receptacle, Duplex (120V, 20A) (Mates with 323-0867 Plug)		098-6192	1	Label, "Warning Hazardous Voltage"
	327-0837	1	Cable, Battery - DC		098-6074	1	Label, "Warning General"
	327-0841	2	Ty-Rap		098-6277	1	Label, "Do Not Overfill"
	320-0540	1	Breaker, Circuit - 15 Amp		327-0884	1	Label, "Oil Drained"
	327-0847	2	Screw, Phillips (#8-32 x 1/2")		327-0903	1	Label, "AC/DC"
	327-0850	2	Nut (#8-32)		098-6263	1	Label, "No Spark Arrestor"
	327-0843	1	Lug, Ground				

**Control
(Spec 14000)**

REF NO.	PART NO.	QTY USED	PART DESCRIPTION	REF NO.	PART NO.	QTY USED	PART DESCRIPTION
	327-0945	1	Rollcage		327-0850	2	Nut, Keps Zinc (#8-32)
	337-2462	1	Strap, Ground (7")		327-0843	1	Lug, Ground
	327-0887	1	Screw, Hex Head Cap (5/16-18 x 3/4")		327-0841	2	Tie, Cable
	327-0833	4	Mount, Vibration 40D Stud .75		98-6185-01	1	Label, Standard 1400
	327-0880	4	Washer, Flat (5/16)		98-6388	1	Label, Phone Info
	327-0877	9	Nut, Zinc (5/16-18)		327-1047	1	Label, Onan CSA
	327-0836	4	Screw, Hex Head Cap (5/16-24 x 3/4")		327-1036	1	Label, Serial Number
	327-0882	4	Washer, Lock (5/16)		98-6190	1	Label, Exhaust Gas
	327-1049	1	Receptacle, Duplex (125 V. 15 Amp)		98-6191-01	1	Label, Gas Vapors Small
	327-0837	1	Cable, Battery		98-6192	1	Label, Hazardous Volts
	327-0540	1	Breaker, Circuit (15 Amp)		98-6074	1	Label, General Warning
	327-0847	2	Screw, Panhead Phil (#8-32 x 1/2")		98-6277	1	Label, Do Not Overfill
					327-0884	1	Label, Oil Drained
					327-0903	1	Label, AC/DC

Numerical Index

<u>Part No.</u>	<u>Page</u>	<u>Part No.</u>	<u>Page</u>	<u>Part No.</u>	<u>Page</u>	<u>Part No.</u>	<u>Page</u>
098-6074, 17, 18		185-2981, 6		185-3359, 8		185-3665, 13	
098-6185-01, 17, 18		185-2982, 7		185-3360, 8		185-3666, 13	
098-6190, 17, 18		185-2984, 13		185-3361, 8		185-3668, 13	
098-6191-01, 17, 18		185-2985, 4		185-3362, 8		185-3669, 13	
098-6192, 17, 18		185-2987, 5		185-3372, 9		185-3673, 5	
098-6220, 17		185-2988, 5		185-3383, 12		185-3674, 7	
098-6263, 17		185-2989, 5		185-3384, 6		185-3675, 7	
098-6277, 17, 18		185-2990, 12		185-3387, 10		185-3679, 10	
098-6388, 17, 18		185-2992, 11		185-3403, 13		185-3680, 10	
100-2950, 3		185-2993, 11		185-3404, 13		185-3689, 12	
185-2366, 10		185-2994, 11		185-3405, 13		185-3691, 3	
185-2376, 10		185-2995, 11		185-3406, 13		185-3692, 4, 10, 12	
185-2381, 10		185-2996, 11		185-3407, 13		185-3697, 5, 6	
185-2496, 4		185-2997, 9		185-3484, 7		185-3699, 7	
185-2499, 11		185-2998, 9		185-3485, 7		185-3700, 7	
185-2535, 5, 13		185-3012, 11		185-3487, 7		185-3701, 7	
185-2536, 5		185-3035, 12		185-3496, 10		185-3702, 7	
185-2537, 11		185-3075, 12		185-3503, 12		185-3703, 7	
185-2538, 8		185-3077, 3		185-3520, 10		185-3704, 7	
185-2540, 9		185-3078, 3		185-3566, 10		185-3725, 12	
185-2543, 12		185-3082, 3		185-3595, 9		185-3730, 12	
185-2563, 12		185-3087, 7, 8		185-3625, 3		185-3801, 10	
185-2570, 3, 9		185-3093, 8		185-3627, 3		185-3827, 12	
185-2576, 10		185-3101, 8		185-3628, 3		185-3829, 13	
185-2754, 14		185-3102, 8		185-3629, 3		185-4069, 12	
185-2777, 12		185-3104, 4		185-3637, 6		185-4089, 8	
185-2920, 12		185-3105, 4		185-3639, 4		185-4090, 8	
185-2928, 5		185-3106, 12		185-3640, 4		185-4498, 10	
185-2930, 9		185-3109, 12		185-3641, 4		185-4499, 10	
185-2931, 5		185-3110, 10		185-3644, 7		185-4550, 5	
185-2932, 5		185-3174, 13		185-3646, 8		185-4674, 13	
185-2942, 11		185-3184, 3		185-3647, 8		185-4885, 12	
185-2943, 11		185-3186, 12		185-3648, 8		185-4886, 4	
185-2951, 5		185-3213, 6		185-3649, 8		185-4887, 12	
185-2968, 13		185-3241, 10		185-3651, 8		185-4888, 4	
185-2973, 10		185-3295, 8		185-3654, 3		185-4889, 12	
185-2974, 9		185-3296, 8		185-3656, 3		185-4890, 12	
185-2977, 10		185-3297, 8		185-3657, 9		185-4944, 11	
185-2979, 10		185-3298, 8		185-3658, 9		185-5005, 16	
185-2980, 10		185-3306, 8		185-3664, 13		185-5088, 13	



Numerical Index

<u>Part No.</u>	<u>Page</u>	<u>Part No.</u>	<u>Page</u>	<u>Part No.</u>	<u>Page</u>	<u>Part No.</u>	<u>Page</u>
185-5148,	10	249-0719,	15				
185-5207,	3	249-0720,	15, 16				
185-5208,	9	249-0724,	15, 16				
185-5209,	12	249-0754,	16				
185-5228,	6	249-0760,	16				
185-5229,	5	249-0800,	16				
185-5230,	7	249-5068,	16				
185-5231,	8	320-0540,	17				
185-5232,	13	323-1106,	17				
185-5233,	11	327-0833,	17, 18				
185-5234,	5	327-0836,	17, 18				
185-5235,	9	327-0837,	17, 18				
185-5237,	11	327-0838,	17				
185-5238,	12	327-0839,	17				
185-5239,	3	327-0840,	17				
185-5240,	8	327-0841,	17, 18				
185-5242,	8	327-0843,	17, 18				
185-5243,	10	327-0847,	17, 18				
185-5244,	10	327-0850,	17, 18				
185-5245,	14	327-0877,	17, 18				
185-5246,	14	327-0880,	17, 18				
185-5247,	11	327-0882,	17, 18				
185-5251,	12	327-0883,	18				
185-5254,	11	327-0884,	17, 18				
185-5274,	12	327-0887,	17, 18				
185-5284,	11	327-0903,	17, 18				
249-0679,	15	327-0945,	17, 18				
249-0687,	15	327-1036,	18				
249-0688,	15, 16	327-1047,	18				
249-0689,	15, 16	327-1049,	18				
249-0690,	15, 16	337-2462,	17, 18				
249-0691,	15, 16						
249-0693,	15, 16						
249-0695,	15						
249-0697,	15						
249-0700,	15, 16						
249-0702,	15, 16						
249-0704,	15, 16						
249-0706,	15, 16						
249-0708,	15, 16						