

Cummins **Onan**



# Parts Manual

## Portable Generator Set

EGH 3.5 (Spec A-C)

EGH 4.0 (Spec A-C)



## Introduction

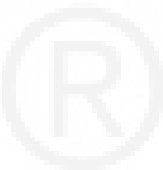
This manual applies to the Portable Generator Sets as listed in the Generator Set Data Table. Parts are arranged in groups of related items and each illustrated part is identified by a reference number corresponding to the same reference number in the parts list. Parts illustrations are typical. Using the model and specification number from your generator set nameplate, select parts that apply to your set. Right and left sides are determined by facing the engine end (front) of the set.

### Generator Set Data Table

MODEL AND SPECIFICATION	WATTS	RPM	VOLTS	HERTZ	WIRE	PHASE	STARTING
3.5EGH-AM/*	3500	3000	110/220	50	4	1	Recoil
3.5EGH-EM/*	3500	3000	110/220	50	4	1	Electric
4.0EGH-AB/*	4000	3600	120/240	60	4	1	Recoil
4.0EGH-EB/*	4000	3600	120/240	60	4	1	Electric

\* – The diagonal line (/) in the model and specification number separates generator set characteristics from the specification number and letter. The specification number denotes customer requested options or deviations from a standard model. The specification letter advances (A to B, B to C, etc.) with major manufacturing changes.

**Intentional Page Left Blank**



## A

Adapter Assy, Solenoid (50Hz), **37**  
Adapter Assy, Solenoid (60Hz), **35**  
Adapter, Generator (50Hz), **33**  
Adapter, Generator (60Hz), **31**  
Adjuster, Carburetor, **16**  
Arm, Rocker, **11**  
Axel Assy, Dolly, **28**

## B

Back, Control Box (50Hz), **36 , 37**  
Back, Control Box (60Hz), **34 , 35**  
Bag, Tools, **30**  
Ball, Carburetor, **16 , 17**  
Band, Muffler, **27**  
Base, Control Panel (50Hz), **36 , 37**  
Bearing, Crankshaft Ball, **10**  
Bearing, Generator Ball (60Hz), **31**  
Block, Cylinder, **9**  
Body, Air Cleaner, **19 , 20**  
Body, Float, **16**  
Box, Control (60Hz), **35**  
Bracket, **20**  
Bracket, Air Cleaner Cover Mounting, **21**  
Bracket, Dolly Support, **28**  
Bracket, Fuel Tank, **26**  
Bracket, Lifting, **29**  
Bracket, Lower Mounting (50Hz), **36 , 38**  
Bracket, Solenoid Idler (50Hz), **38**  
Bracket, Upper Mounting (50Hz), **36 , 38**  
Breaker, Circuit, **35**  
Breaker, Circuit (50Hz), **36 , 37**  
Breaker, Circuit (60Hz), **34**  
Breather, **9**  
Bumper, Dolly, **28**  
Bushing, Control Box (50Hz), **36 , 37**  
Bushing, Control Box (60Hz), **34**  
Bushing, Control Snap, **35**

Bushing, Generator Rubber (50Hz), **33**  
Bushing, Generator Rubber (60Hz), **31**

## C

Cable, Battery (50Hz), **38**  
Cable, Battery (60Hz), **35**  
Cage, Roll (50Hz), **37**  
Camshaft, **11**  
Cap, Fuel Tank, **26**  
Cap, Gauged Gas (50Hz), **37**  
Cap, Spark Plug, **12 , 13**  
Carburetor, **19 , 20 , 21**  
Case, Recoil Starter, **22 , 23 , 24**  
Chamber Assy, Carburetor Float, **17**  
Cleaner, Air (Begin Spec C), **21**  
Cleaner, Air (Prior to Spec C) (Style I), **19**  
Cleaner, Air (Prior to Spec C) (Style II), **20**  
Clip, Battery (50Hz), **38**  
Clip, Fuel Line (50Hz), **36 , 37**  
Coil, Charger, **13**  
Collar, Control Lever, **14**  
Collar, Fuel Tank, **26**  
Components, Carburetor (Spec A/B), **16**  
Components, Carburetor (Begin Spec C), **17**  
Connect, Sumi (50Hz), **37**  
Control (50Hz), **36 , 37 , 38**  
Control (60Hz), **34 , 35**  
Controller, Governor, **15**  
Cotter, **9**  
Cover, Air Cleaner, **19 , 20 , 21**  
Cover, Crankcase, **9**  
Cover, Cylinder Head, **11**  
Cover, Fan, **12 , 13**  
Cover, Generator End (50Hz), **33**  
Cover, Generator End (60Hz), **31**  
Cover, Ind (50Hz), **36 , 37**  
Cover, Muffler Flange, **27**  
Cover, Spring, **22**  
Cover, Stator (50Hz), **33**

Cover, Stator (60Hz), **31**  
Cover, UK Panel (50Hz), **36 , 37**  
Cowling, Cylinder Head, **12 , 13**  
Crankshaft, **10**  
Cup, Fuel Filter, **26**  
Cushion, Fuel Tank, **26**

## **D**

Diode Assy, Generator DC (50Hz), **33**  
Diode Assy, Generator DC (60Hz), **31**  
Dolly, **28**

## **E**

Elbow, Intake, **19 , 20 , 21**  
Element, Air Cleaner, **19 , 20 , 21**  
Element, Fuel Filter, **26**  
Endbell, (50Hz), **33**  
Endbell, (60Hz), **31**  
Engine, Replacement, **9**  
Extension, Dolly Exhaust, **28**

## **F**

Fan, Rotor (50Hz), **33**  
Fan, Rotor (60Hz), **31**  
Filter, Fuel, **26**  
Float, **16 , 17**  
Flyweight, **11**  
Flywheel, **12 , 13**

## **G**

Gasket, Air Cleaner, **19 , 20 , 21**  
Gasket, Carburetor, **16 , 17 , 19 , 20 , 21**  
Gasket, Crankcase, **9**  
Gasket, Cylinder Block Drain Plug, **9**  
Gasket, Cylinder Head, **9**

Gasket, Elbow, **19 , 20 , 21**  
Gasket, Element, **21**  
Gasket, Fuel Filter, **26**  
Gasket, Governor Lever, **14 , 15**  
Gasket, Head Cover, **11**  
Gasket, Insulator, **19 , 20 , 21**  
Gasket, Muffler, **15 , 27**  
Gasket, Tank Cap, **26**  
Gear, Camshaft, **11**  
Gear, Crankshaft, **10**  
Gear, Governor, **11**  
Gear, Ring, **13**  
Generator, 50Hz, **33**  
Generator, 60Hz, **31**  
Governor (Spec 1/14000), **14**  
Governor (Spec 34879/38018), **15**  
Grip, Dolly Handle, **28**  
Grommet, **35**  
Guide, Push Rod, **11**  
Guide, Valve, **9**

## **H**

Handle, Dolly, **28**  
Harness, Wiring, **30 , 37**  
Head, Cylinder, **9**  
Hold-Down, Battery, **35**  
Holder Assy, Brush, **31**  
Holder Assy, Generator Brush (50Hz), **33**  
Housing, Air Cleaner, **21**

## **I**

Idlematic Control Unit, **35**  
Insulator, **19 , 20 , 21**

## **J**

Jet, Air, **16**  
Jet, Main, **16**



## K

Key, Camshaft Woodruff, **11**  
Key, Crankshaft Woodruff, **10**  
Key, Magneto Woodruff, **12 , 13**  
Kit, Engine Gasket, **39**

## L

Label, Air Cleaner, **19 , 20 , 21**  
Label, Choke, **20 , 21**  
Label, Electronic, **22 , 23**  
Label, Recoil Starter Electronic (Spec C), **24**  
Label, Speed, **12**  
Labels, Control (Spec 1), **40**  
Labels, Control (Spec 14000), **40**  
Labels, Control (Spec 34879), **40**  
Lamp, Oil, **30**  
Lever, Choke, **16 , 17**  
Lever, Control, **14**  
Lever, Governor (Spec 1/14000), **14**  
Lever, Governor (Spec 34879/38018), **15**  
Light, Low Oil (60Hz), **34**  
Light, Oil Watch, **35**  
Line, Fuel (50Hz), **36 , 37**  
Line, Fuel (60Hz), **34 , 35**

## M

Magneto (Voltage Code AB, AM), **12**  
Magneto (Voltage Code EB, EM), **13**  
Mark, Choke, **19**  
Mate, **37**  
Mate, Blue, **37**  
Mate, Yellow, **37**  
Meter, Volt, **35**  
Module, Idler (50Hz), **37**  
Module, Low Oil (60Hz), **34**  
Mount, Vibration, **34 , 35**  
Muffler, **27 , 36 , 38**

## N

Nozzle, Main, **16**

## O

O'Ring, Fuel Filter, **26**  
O'Ring, Oil Fill, **9**

## P

Packing, Float Chamber, **16 , 17**  
Paint, Fuel Tank Support, **37**  
Paint, Heat Shield (50Hz), **36**  
Paint, Roll Cage (50Hz), **36 , 37**  
Panel, Blank (50Hz), **36 , 37**  
Panel, Control Bracket (50Hz), **37**  
Panel, European, **37**  
Panel, European (50Hz), **36**  
Panel, Front Control, **35**  
Panel, Front Control (60Hz), **34**  
Panel, Ind, **36 , 37**  
Panel, UK (50Hz), **36 , 37**  
Pilot, Jet, **16**  
Pin, Carburetor, **16 , 17**  
Pin, Cylinder Block Straight, **9**  
Pin, Decompression, **11**  
Pin, Decompression Spring, **11**  
Pin, Dolly Cotter, **28**  
Pin, Piston, **10**  
Pin, Spring, **15 , 30**  
Pipe, Knock, **9**  
Piston, **10**  
Plate, Air Cleaner, **20 , 21**  
Plate, Control, **14**  
Plate, Friction, **22**  
Plate, Generator Cover, **33**  
Plate, Pressure, **14**  
Plate, Reel, **22**  
Plate, Slide, **22**  
Plate, Transistor, **12 , 13**



Plug, Breaker Hole, **36 , 37 , 38**

Plug, Oil Drain, **9**

Plug, Oil Filler, **9**

Plug, Spark, **12 , 13**

Pulley, Start, **22 , 23**

Pulley, Starter, **24**

## **R**

Ratchet, **22**

Ratchet, Recoil Starter, **23**

Ratchet, Recoil Starter (Spec C), **24**

Receptacle (50Hz), **36 , 37**

Receptacle (60Hz), **34**

Receptacle, 12VDC, **35**

Receptacle, Duplex, **35**

Receptacle, Twistlock, **35**

Rectifier (50Hz), **38**

Rectifier/Diode Assy, Control, **35**

Reel, Recoil Starter, **23 , 24**

Regulator, Voltage (50Hz), **33**

Regulator, Voltage (60Hz), **31**

Retainer Assy, Control, **35**

Retainer, Cylinder Block Cord, **9**

Retainer, Recoil Starter, **23 , 24**

Retainer, Valve Spring, **9**

Ring Set, **10**

Ring, Carburetor, **16 , 17**

Rod, Connecting, **10**

Rod, Governor (Spec 1/14000), **14**

Rod, Governor (Spec 34879/38018), **15**

Rod, Push, **11**

Rollcage, **34 , 35 , 36**

Rope, Starter, **22 , 23 , 24**

Rotor, Generator (50Hz), **33**

## **S**

Screw, Drain, **16**

Seal, Carburetor, **16 , 17**

Seal, Oil, **10**

Shaft, Flyweight, **11**

Shaft, Governor Lever (Spec 1/14000), **14**

Shaft, Governor Lever (Spec 34879/38018), **15**

Shaft, Throttle, **16 , 17**

Shield, Fuel Tank, **35**

Shield, Heat, **34 , 35 , 37**

Shim, Crankshaft, **10**

Sleeve, Governor, **11**

Solenoid, **15 , 30**

Spacer, Control Idler, **35**

Spacer, Dolly, **28**

Spacer, Dolly Exhaust, **28**

Spacer, Idler, **37**

Spring, **16**

Spring, Brake, **23**

Spring, Carburetor, **16 , 17**

Spring, Decompression, **11**

Spring, Dog, **23**

Spring, Friction, **22**

Spring, Governor, **14 , 15**

Spring, Governor Controller, **15**

Spring, Lock, **14**

Spring, Recoil Starter, **23 , 24**

Spring, Rod, **14 , 15**

Spring, Spiral, **22**

Spring, Valve, **9**

Starter, Electric, **13**

Starter, Recoil , **22 , 23 , 24 , 25**

Stator, Generator (50Hz), **33**

Stator, Generator (60Hz), **31**

Stay, **30**

Stay, Intake Elbow, **19 , 20 , 21**

Stay, Muffler, **27**

Stay, Solenoid, **15**

Stay, Solenoid Conrod, **15**

Stopper, Governor, **11**

Strap, Battery Holddown (50Hz), **38**

Strap, Ground, **34 , 35 , 36 , 37**

Support, Fuel Tank (50Hz), **37**



Switch, **12 , 35 , 37**

## **T**

Tank, Fuel, **26 , 35 , 37**

Tappet, **11**

Terminal, Sumi, **37**

Tools, **30**

Tray, Battery, **35 , 38**

Tube, Breather, **11**

Tube, Fuel, **26**

## **V**

Valve, Choke, **16 , 17**

Valve, Exhaust, **9**

Valve, Fuel Shutoff, **35**

Valve, Intake, **9**

Valve, Needle, **16 , 17**

Valve, Shutoff, **35**

Valve, Throttle, **16 , 17**

Voltmeter, **37**

## **W**

Watch, Oil, **9 , 30 , 35**

Wheel, Dolly, **28**

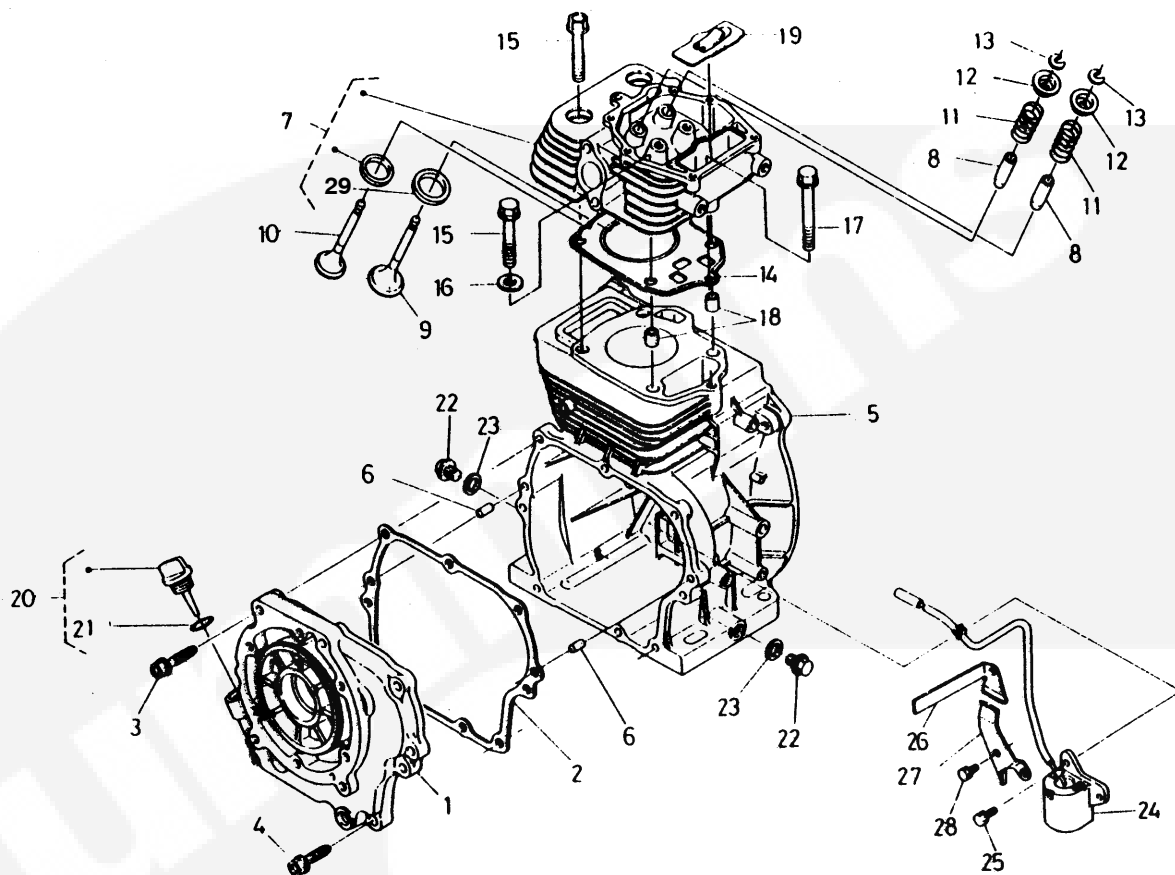
Wrench, Box Plug, **30**



**Intentional Page Left Blank**



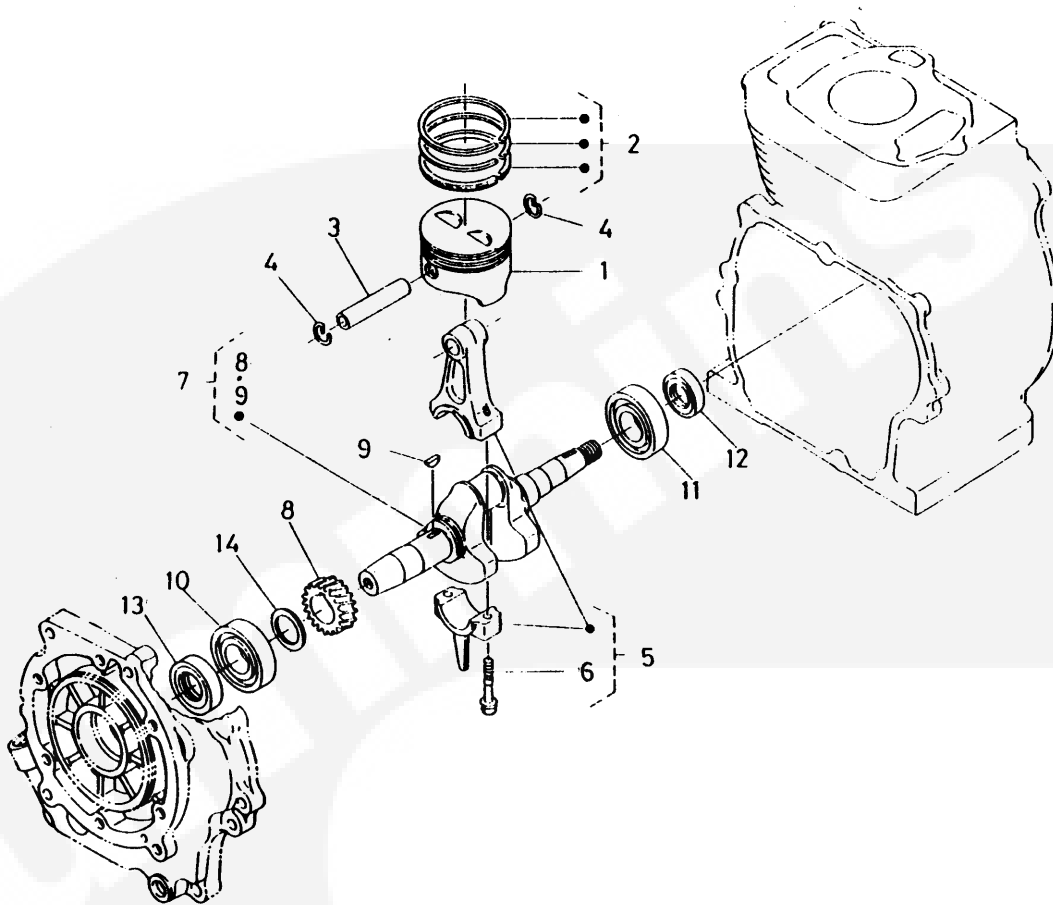
## Cylinder Block



REF NO.	PART NO.	QTY USED	PART DESCRIPTION	REF NO.	PART NO.	QTY USED	PART DESCRIPTION
			Engine, Replacement	11	185-2834	2	Spring, Valve
			Spec A/B	12	185-2835	2	Retainer, Valve Spring
			Voltage Code AB, AM	13	185-2513	2	Cotter
100-2953	1		Spec 1, 14000	14	185-2500	1	Gasket, Cylinder Head
100-2955	1		Spec 34879, 38018	15	110-3750	4	Bolt, Cylinder Head
100-2956	1		Voltage Code EB, EM	16	740-1008	2	Washer, Head Bolt
			Begin Spec C	17	110-3596	1	Bolt, Flange
100-3360	1		Voltage Code AB	18	110-3892	2	Pipe, Knock
100-3361	1		Voltage Code EB, EM	19			Breather
1			Cover Assy, Crankcase		123-1920	1	Spec A/B
			Spec A/B		185-7137	1	Begin Spec C
			Begin Spec C	20	185-3451	1	Plug, Oil Filler (Includes O'Ring)
2	185-2517	1	Gasket, Crankcase	21	509-0254	1	O'Ring
3	815-0781	6	Bolt	22	102-1367	2	Plug, Oil Drain
4	815-0780	2	Bolt	23	185-3077	2	Gasket
5	NFS*	-	Block, Cylinder	24	185-2516	1	Watch, Oil
6	185-3175	2	Pin, Straight	25	185-2387	2	Bolt
7			Head, Cylinder (Includes Valve Guides)	26	185-2847	1	Retainer, Cord
			Spec A/B	27	185-2848	1	Retainer, Cord
			Begin Spec C	28	185-3013	2	Bolt
8	185-2862	2	Guide, Valve	29	E4191-13150	1	Intake Valve Seal
9	185-2833	1	Valve, Intake				
10	185-2861	1	Valve, Exhaust				

\*Not For Sale - Must Buy Replacement Engine

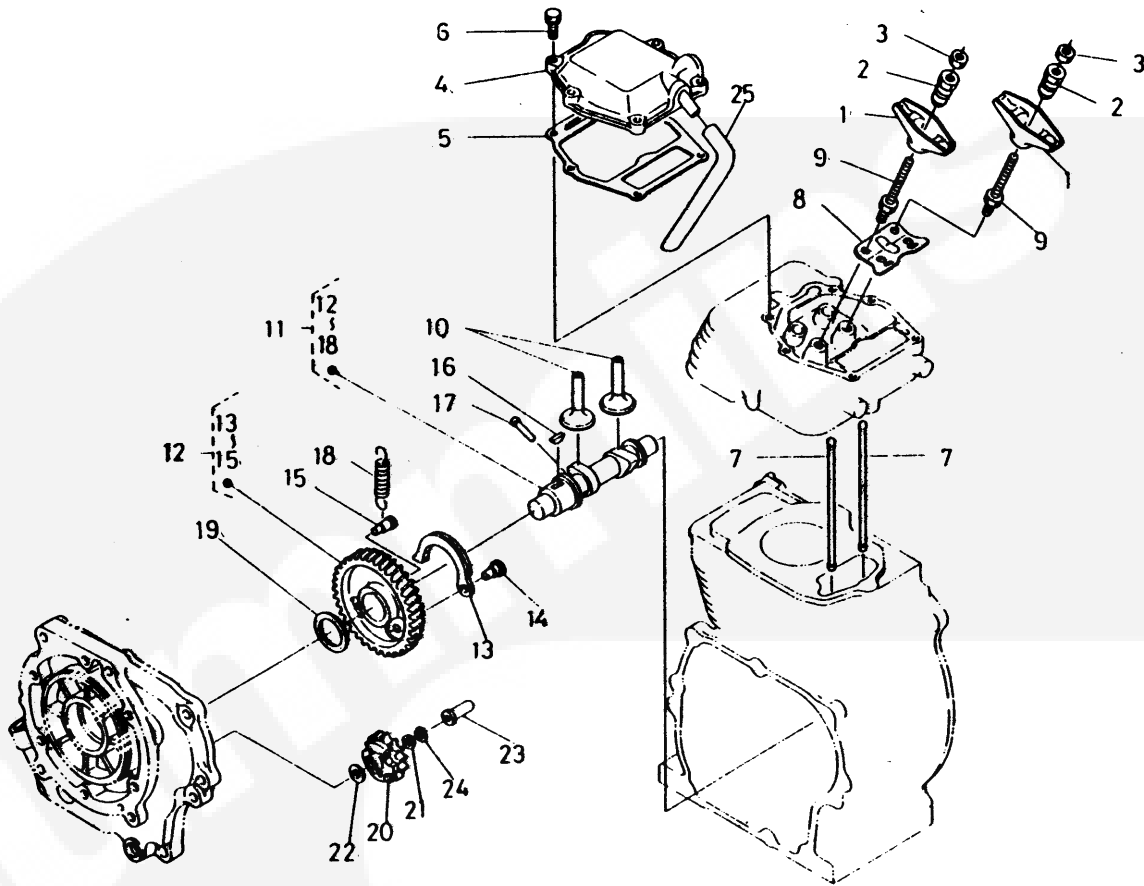
## Crankshaft



REF NO.	PART NO.	QTY USED	PART DESCRIPTION	REF NO.	PART NO.	QTY USED	PART DESCRIPTION
1			Piston	5			Rod, Connecting (Includes Bolt)
			Prior to ESN 551619	185-2515	1		Standard
	185-2502	1	Standard	185-2844	1		0.25 U.S.
	185-2776	1	0.25 O.S.	185-2845	1		0.50 U.S.
	185-2775	1	0.50 O.S.	6	185-2846	2	Bolt, Connecting Rod
			Begin ESN 551619	7	185-2508	1	Crankshaft (Includes Gear and Key)
	185-6838	1	Standard	8	185-2934	1	Gear, Crankshaft
	185-6840	1	0.25 O.S.	9	185-3088	1	Key, Woodruff
	185-6839	1	0.50 O.S.	10	510-0182	1	Bearing, Ball
2			Ring Set	11	510-0160	1	Bearing, Ball
			Prior to ESN 551619	12	185-3761	1	Seal, Oil
	185-2501	1	Standard	13	509-0258	1	Seal, Oil
	185-2770	1	0.25 O.S.	14			Shim
	185-2769	1	0.50 O.S.				
			Begin ESN 551619				
	185-6841	1	Standard	104-1721-01	1		0.20mm
	185-6843	1	0.25 O.S.	185-3436	1		0.25mm
	185-6842	1	0.50 O.S.	104-1721-02	1		0.30mm
				185-3437	1		0.35mm
3	185-2843	1	Pin, Piston	104-1721-03	1		0.40mm
4	112-0255	2	Cir-Clip, Internal	104-1721-05	1		0.50mm



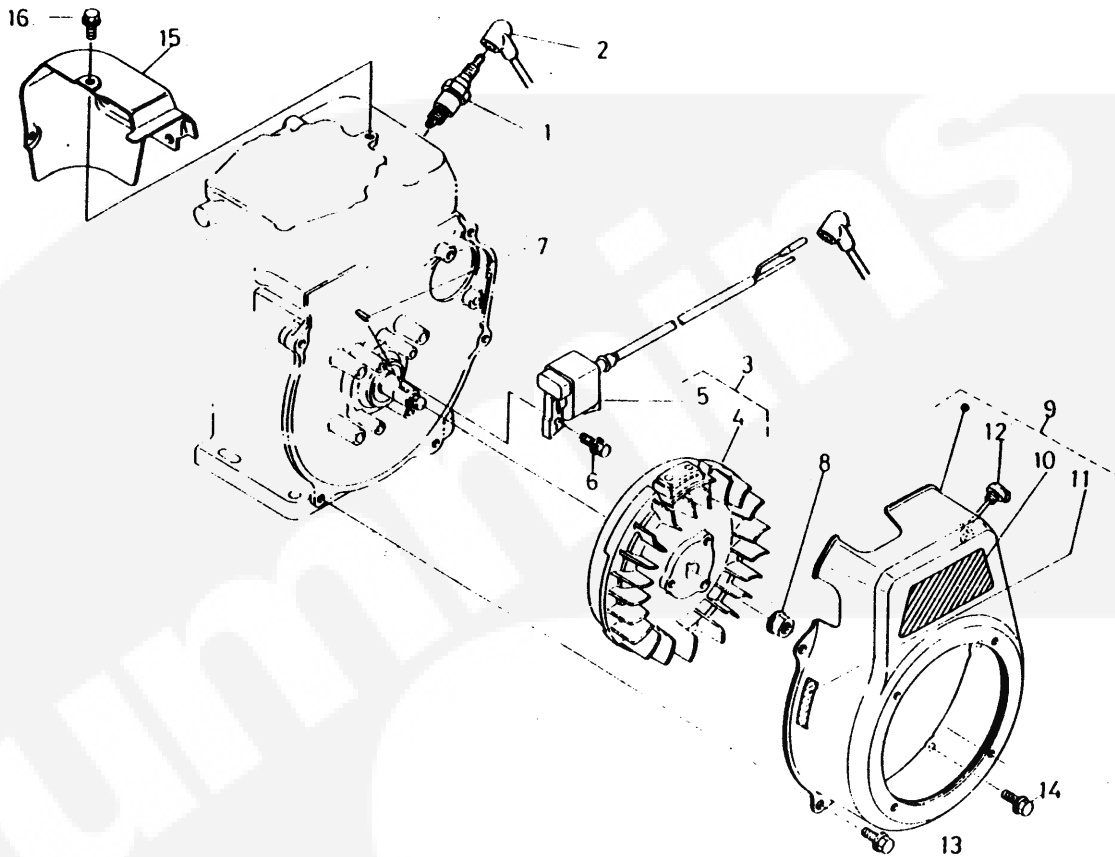
## Camshaft



REF NO.	PART NO.	QTY USED	PART DESCRIPTION	REF NO.	PART NO.	QTY USED	PART DESCRIPTION
1	115-0495	2	Arm, Rocker	15	150-2305	1	Pin, Decompression Spring
2	115-0464	2	Nut, Adjusting Spec A/B	16	185-3087	1	*Key, Woodruff
	185-7144	2	Begin Spec C	17	185-2852	1	*Pin, Decompression Spec A/B
3	115-0496	2	Nut		150-2304	1	Begin Spec C
4	185-2838	1	Cover, Cylinder Head	18	185-2755	1	*Spring, Decompression
5	185-2514	1	Gasket, Head Cover	19	185-3511	1	Shim 0.20mm
6	185-5159	6	Bolt		185-3806	1	0.25mm
7	185-5103	2	Rod, Push (5.59" Long and .157 DIA.) (Some Models Use 185-2610 or Kubota Part Number 12621-15110) (5.59" Long and .314 DIA.)		185-3807	1	0.30mm
					185-3808	1	0.35mm
					185-3809	1	0.40mm
8	185-2839	1	Guide, Push Rod	20	185-3773	1	Gear, Governor
9	115-0497	2	Bolt	21	526-2077	1	Washer
10	115-0463	2	Tappet	22	526-2078	1	Washer
11	185-2841	1	Camshaft Assy (Includes Parts Marked *)	23	185-3774	1	Sleeve, Governor
12	185-2842	1	*Gear, Camshaft (Includes Flyweight, Shaft and Pin)	24	150-2275	1	Stopper
13	185-2853	1	Flyweight	25	185-2512	1	Tube, Breather
14	150-2302	1	Shaft, FlyWeight				

\* - Parts Included in Camshaft Assy.

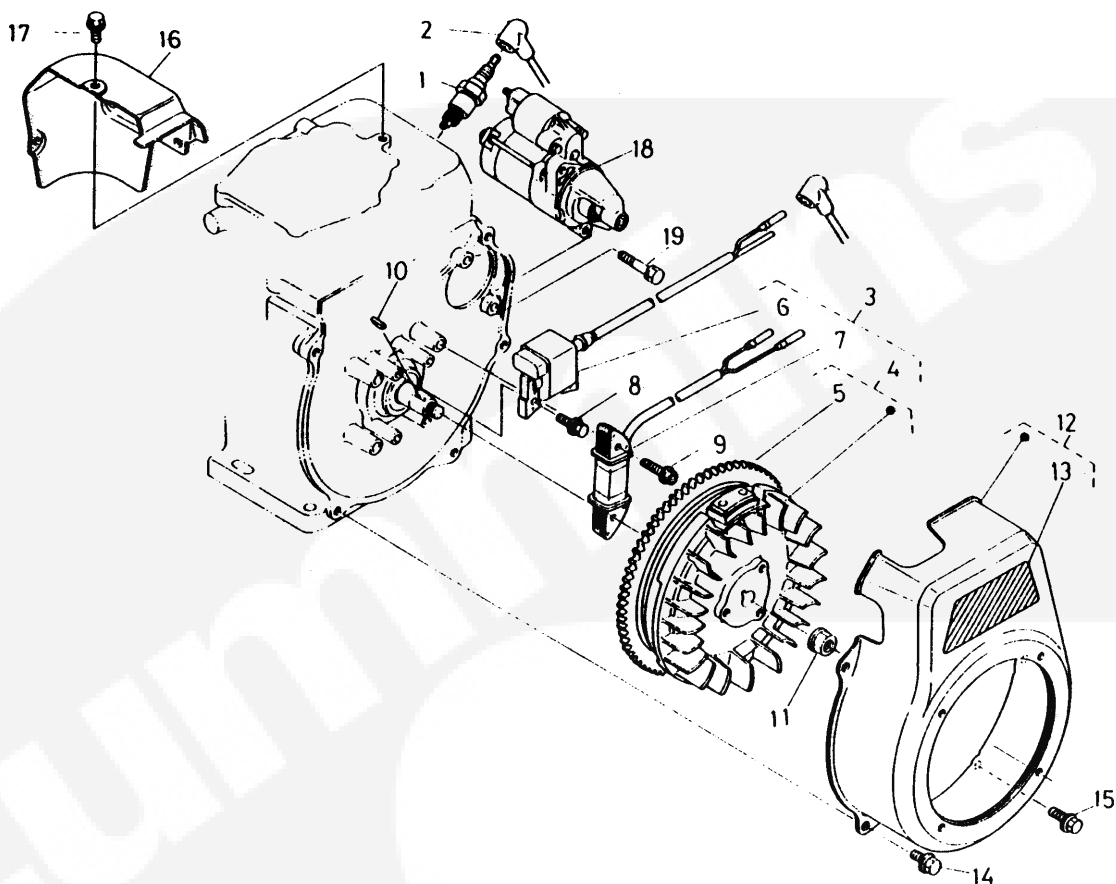
## Magneto (Voltage Code AB, AM)



REF NO.	PART NO.	QTY USED	PART DESCRIPTION	REF NO.	PART NO.	QTY USED	PART DESCRIPTION
1	185-2527	1	Plug, Spark	10	185-4990	1	Nameplate
	185-7157	1	Spec A/B		185-5275	1	Spec A/B
			Begin Spec C	11	740-1006	1	Begin Spec C
2	167-1621	1	Cap, Spark Plug	12		1	*Label, Speed
3	104-2001	1	Magneto, Flywheel (Includes Flywheel and Transistor Plate)			1	*Switch, Stop
4	185-2829	1	Flywheel		185-5274	1	Voltage Code AB
5	185-2503	1	Plate, Transistor		185-3107	1	Voltage Code AM
6	185-4543	2	Bolt	13		1	Bolt
7	185-2759	1	Key, Woodruff		185-2826	4	Spec A/B
8			Nut, Flywheel		185-2976	6	Begin Spec C
	185-2758	1	Spec A/B	14	185-2827	1	Bolt
	185-7156	1	Begin Spec C	15	185-2825	1	Cowling, Cylinder Head
9			Cover, Fan (Includes Labels and Switch)	16	185-3730	2	Bolt
			Spec A/B				
	185-2784	1	Spec 1, 14000				
	185-2783	1	Spec 34879, 38018				
	185-7158	1	Begin Spec C				

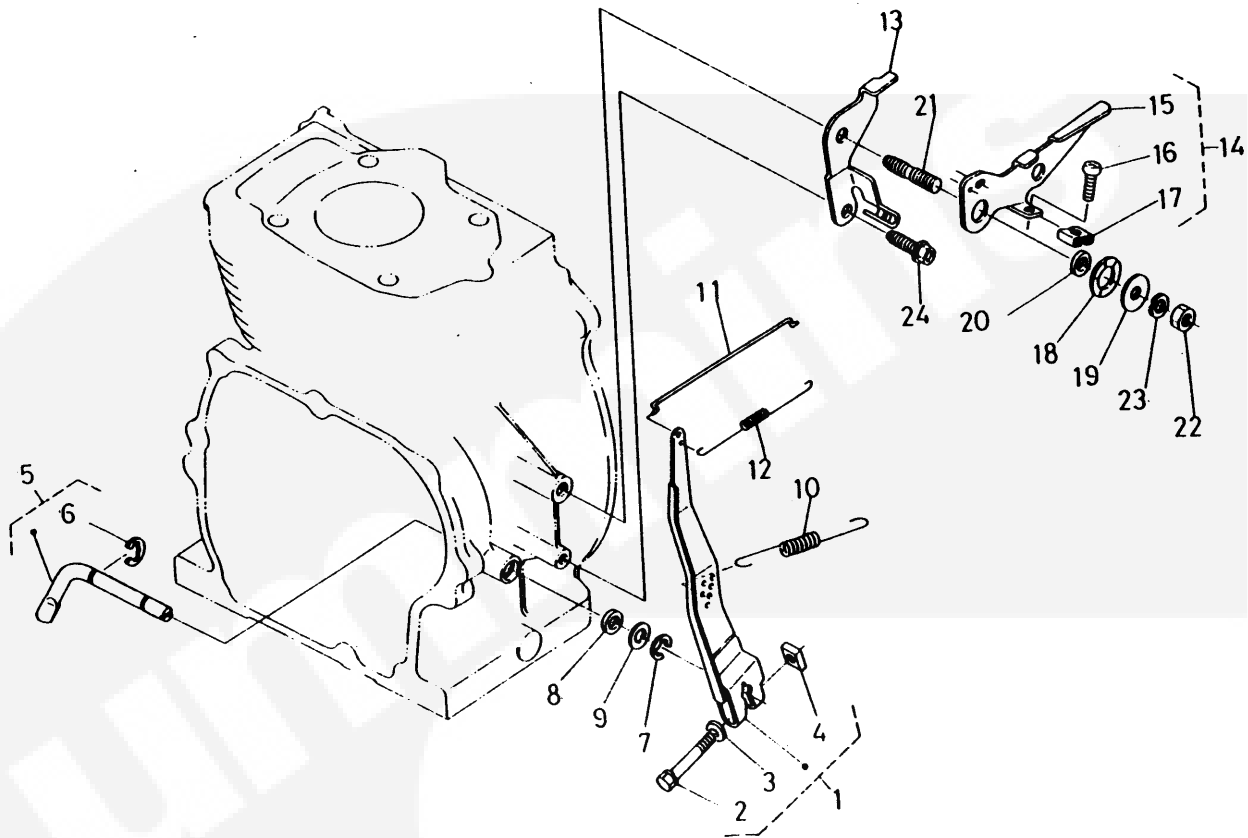
\* Spec 1A/B, 14000A/B Units Only.

## Magneto (Voltage Code EB, EM)



REF NO.	PART NO.	QTY USED	PART DESCRIPTION	REF NO.	PART NO.	QTY USED	PART DESCRIPTION
1	185-2527	1	Plug, Spark Spec A/B	12	185-7156	1	Begin Spec C Cover, Fan
	185-7157	1	Begin Spec C		185-2784	1	Spec A/B
2	167-1621	1	Cap, Spark Plug		185-7158	1	Begin Spec C
3	104-2001	1	Magneto, Flywheel	13			Nameplate
4	185-2792	1	Flywheel Thru B02 B0104-2001 Begin C02		185-4990	1	Spec A/B
5	185-2866	1	Gear, Ring		185-5275	1	Begin Spec C
6	185-2503	1	Plate, Transistor	14			Bolt
7	185-2830	1	Coil, Charger		185-2826	6	Spec A/B
8	185-4543	2	Bolt		185-2976	6	Begin Spec C
9	185-2945	2	Bolt	15	185-2827	1	Bolt
10	185-2759	1	Key, Woodruff	16	185-2825	1	Cowling, Cylinder Head
11			Nut, Flywheel	17	185-3730	2	Bolt
	185-2758	1	Spec A/B	18	185-2937	1	Starter, Electric
				19	185-2564	2	Bolt

## Governor (Specs 1 and 14000)

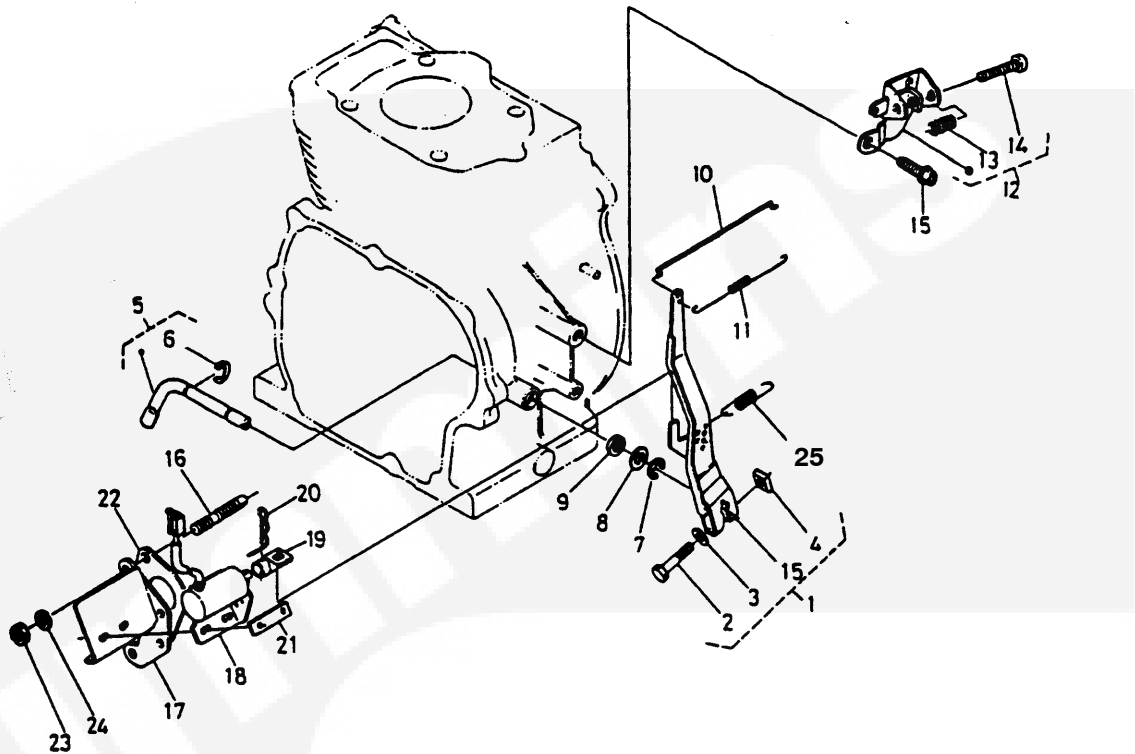


REF NO.	PART NO.	QTY USED	PART DESCRIPTION	REF NO.	PART NO.	QTY USED	PART DESCRIPTION
1	185-2823	1	Lever, Governor (Includes Bolt, Washer and Nut)	13	185-2872	1	Plate, Control
	185-6834	1	Lever, Governor(Begin 552231)	14	185-2897	1	Lever, Control (Includes Lever, Screw and Spring)
2	185-2565	1	Bolt	15	185-2898	1	Lever, Control
	185-6833	1	Screw(Begin 552231)	16	185-2576	1	Screw, Pan Head
3	740-1006	1	Washer, Plain	17	185-2883	1	Spring, Lock
4	185-2956	1	Nut	18	185-3566	1	Washer, Spring
5	185-2849	1	Shaft, Governor Lever	19	185-4499	1	Plate, Pressure
6	518-0576	1	Cir-Clip, External	20	185-4498	1	Collar
7	518-0576	1	Cir-Clip, External	21	150-2286	1	Stud
8	150-2448	1	Gasket	22	185-2366	1	Nut
9	740-1006	1	Washer, Plain	23	185-2381	1	Washer, Spring
10	185-2780	1	Spring, Governor	24	815-0753	1	Bolt
11	185-2850	1	Rod, Governor				
12	185-2851	1	Spring, Rod				





**Governor  
(Specs 34879 And 38018)**

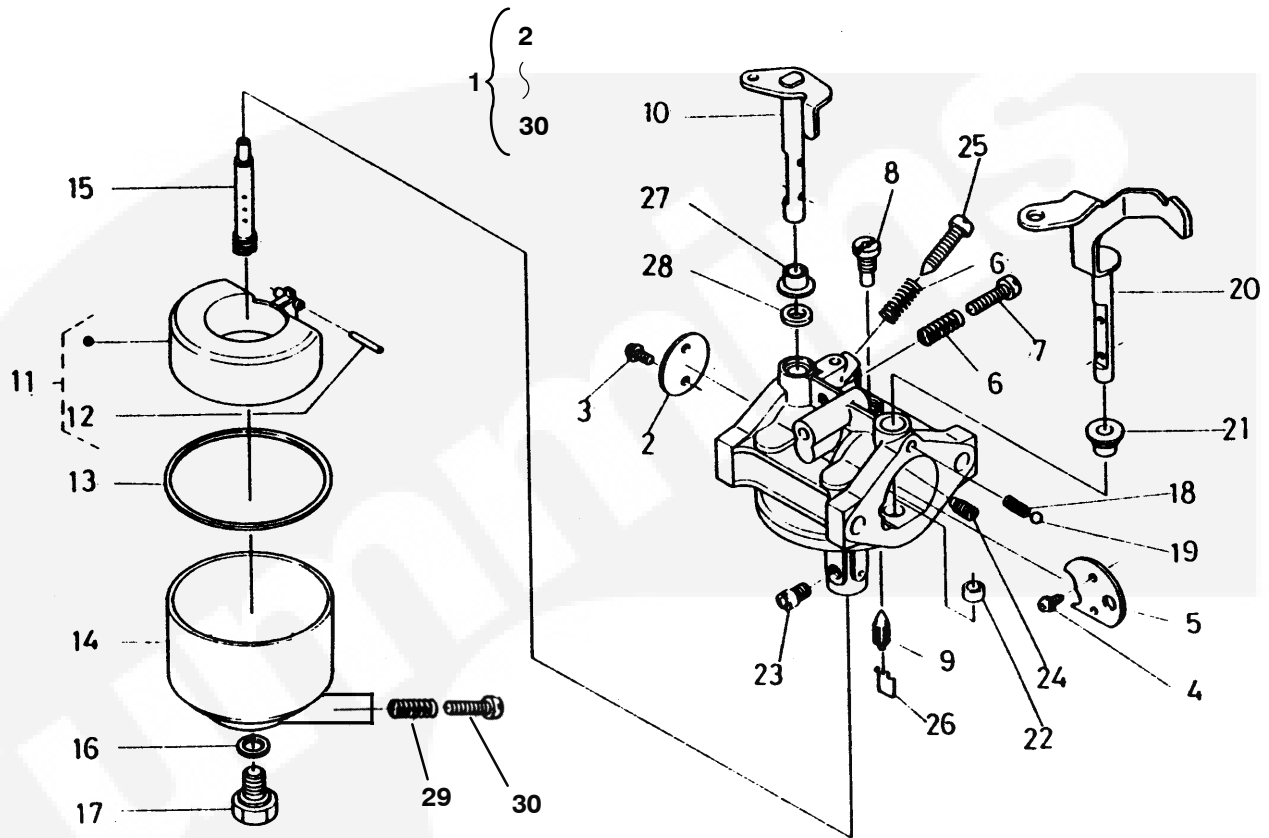


REF NO.	PART NO.	QTY USED	PART DESCRIPTION	REF NO.	PART NO.	QTY USED	PART DESCRIPTION
1	185-2586	1	Lever Assy, Governor (Includes PartsMarked *)	14	185-4987	1	Screw, Pan Head
2	185-2565	1	*Bolt	15	185-3157	1	*Bolt
3	740-1006	1	*Washer, Plain	16	520-2216	2	Stud
4	185-2956	1	*Nut	17	185-2781	1	Stay, Solenoid
5	185-2849	1	Shaft, Governor Lever (Includes Cir-Clip)	18	185-2552	1	Solenoid
6	518-0576	1	Cir-Clip, External	19	185-2553	1	Stay, Solenoid Conrod
7	518-0576	1	Cir-Clip, External	20	185-2554	1	Pin, Spring
8	740-1006	1	Washer, Plain	21	185-7145	1	Nut, Plate
9	150-2448	1	Gasket	22	185-2860	1	Gasket, Muffler
10	185-2850	1	Rod, Governor	23	185-2366	2	Nut
11	185-2851	1	Spring, Rod	24	185-6957	2	Washer, Spring
12	185-2887	1	Controller (Includes Spring and Screw)	25	185-2587	1	Spring, Governor
13	185-2888	1	Spring				

\* - Parts Included in Governor Lever Assy.



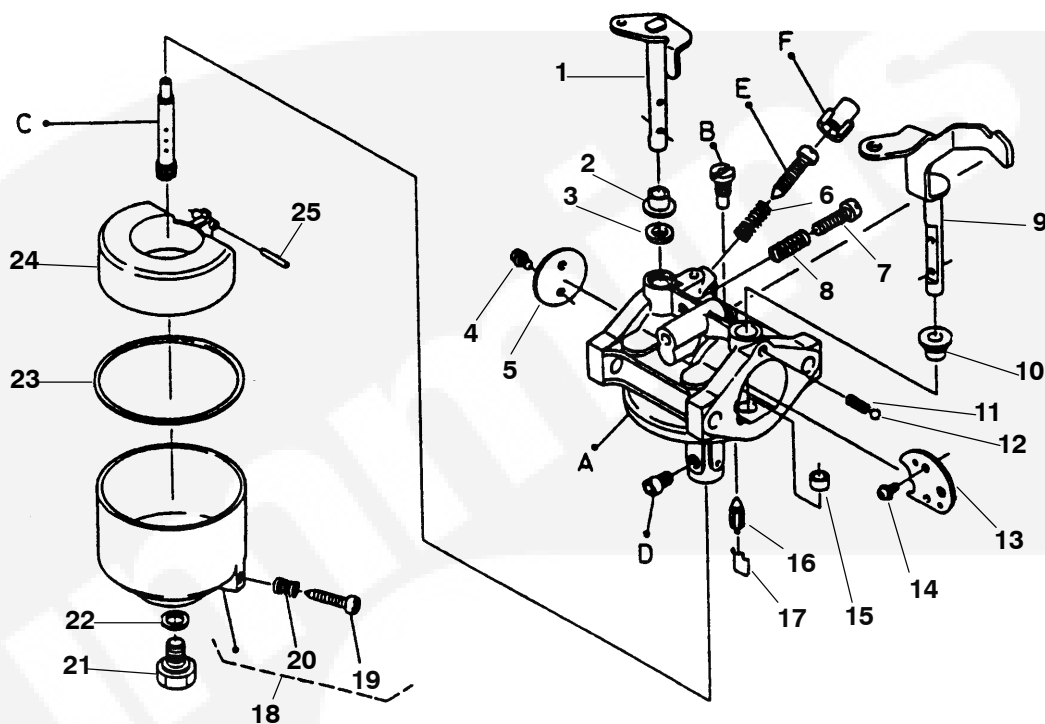
## Carburetor (Spec A/B)



REF NO.	PART NO.	QTY USED	PART DESCRIPTION	REF NO.	PART NO.	QTY USED	PART DESCRIPTION
1	185-2509	1	*Carburetor	20	185-2816	1	Lever, Choke
2	185-2815	1	Valve, Throttle	21	185-4755	1	Ring
3	185-4558	2	Screw, Cross	22	185-4756	1	Ring
4	185-4559	2	Screw	23			Jet, Main
5	185-2817	1	Valve, Choke		185-2771	1	Standard
6	185-2813	2	Spring		185-2971	1	Hi Altitude
7	185-2589	1	Screw, Idle	24	185-2812	1	Jet, Air
8	185-2954	1	Pilot, Jet	25	185-2870	1	Adjuster
9	185-2821	1	Valve, Needle	26	185-2822	1	Clip
10	185-2814	1	Shaft, Throttle	27	185-2818	1	Ring
11	185-2819	1	Float (Includes Pin)	28	185-4565	1	Seal
12	185-2871	1	Pin	29	185-4128	1	Spring
13	185-5178	1	Packing, Float Chamber	30	185-4564	1	Screw, Drain
14	185-2820	1	Body, Float				
15	185-2811	1	Nozzle, Main				
16	185-4506	1	Gasket				
17	185-2882	1	Bolt				
18	185-2939	1	Spring				
19	185-4805	1	Ball				

\* - Carburetor Includes all Parts Listed on this Page.

## Carburetor (Begin Spec C)



REF NO.	PART NO.	QTY USED	PART DESCRIPTION
	185-7133	1	*Carburetor
1	185-2814	1	Shaft, Throttle
2	185-7143	1	Ring
3	185-4565	1	Seal
4	185-7138	2	Screw, Cross
5	185-2815	1	Valve, Throttle
6	185-4556	1	Spring
7	185-2589	1	Screw, Idle
8	185-2813	1	Spring
9	185-2816	1	Lever, Choke
10	185-4755	1	Ring
11	185-2939	1	Spring
12	185-4805	1	Ball
13	185-2817	1	Valve, Choke
14	185-7139	2	Screw
15	185-4756	1	Ring

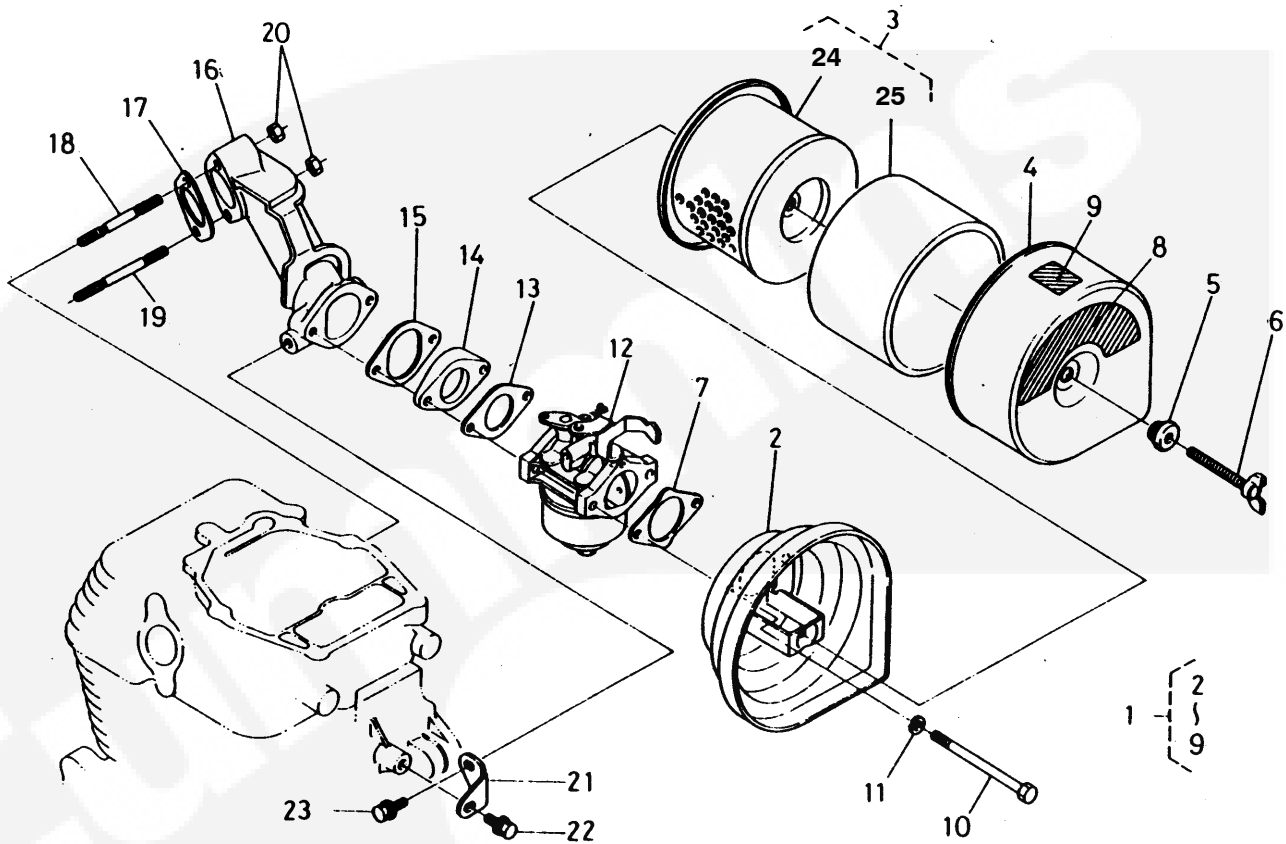
REF NO.	PART NO.	QTY USED	PART DESCRIPTION
16	185-7140	1	Valve, Needle
17	185-2822	1	Clip
18	185-7141	1	Chamber Assy, Float (Includes Screw and Spring)
19	185-4564	1	Screw, Drain
20	185-4128	1	Spring
21	185-7142	1	Bolt
22	185-4506	1	Gasket
23	185-5178	1	Packing, Float Chamber
24	185-2819	1	Float
25	185-4759	1	Pin

\* - Carburetor Includes all Parts Listed on This Page Plus Items A-F.

Intentional Page Left Blank



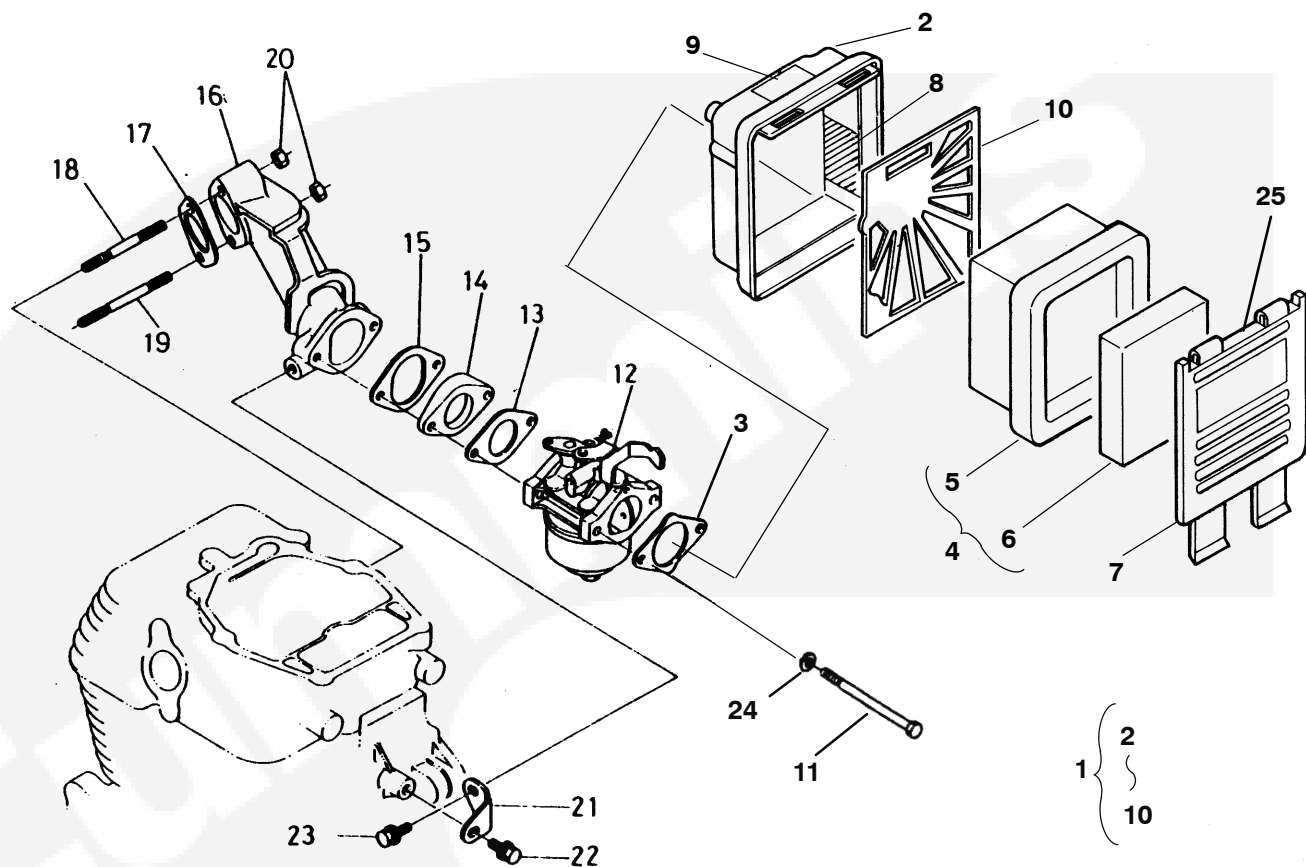
## Air Cleaner (Style I) (Prior to Spec C)



REF NO.	PART NO.	QTY USED	PART DESCRIPTION	REF NO.	PART NO.	QTY USED	PART DESCRIPTION
1	185-2796	1	Cleaner Assy, Air (Includes Parts Marked *)	14	185-5214	1	Insulator
2	185-2801	1	*Body, Air Cleaner	15	185-2864	1	Gasket, Insulator
3	185-2497	1	*Element (Includes Primary and Secondary Elements)	16	185-2858	1	Elbow, Intake
4	185-2764	1	*Cover, Air Cleaner	17	185-2859	1	Gasket, Elbow
5	185-2962	1	*Washer, Seal	18	185-2855	1	Stud
6	185-2765	1	*Bolt, Wing	19	185-2818	1	Stud
7	185-2857	1	*Gasket, Air Cleaner	20	185-3802	2	Nut
8	185-2933	1	*Label, Air Cleaner	21	185-2879	1	Stay, Intake Elbow
9	185-2952	1	*Mark, Choke	22	815-0753	1	Bolt
10	185-2562	2	Bolt	23	185-2386	1	Bolt
11	185-2380	2	Washer, Spring	24	185-2497	1	*Element, Primary
12	185-2509	1	Carburetor	25	185-3553	1	*Element, Secondary
13	185-2863	1	Gasket, Carburetor				

\* - Parts Included in Air Cleaner Assy.

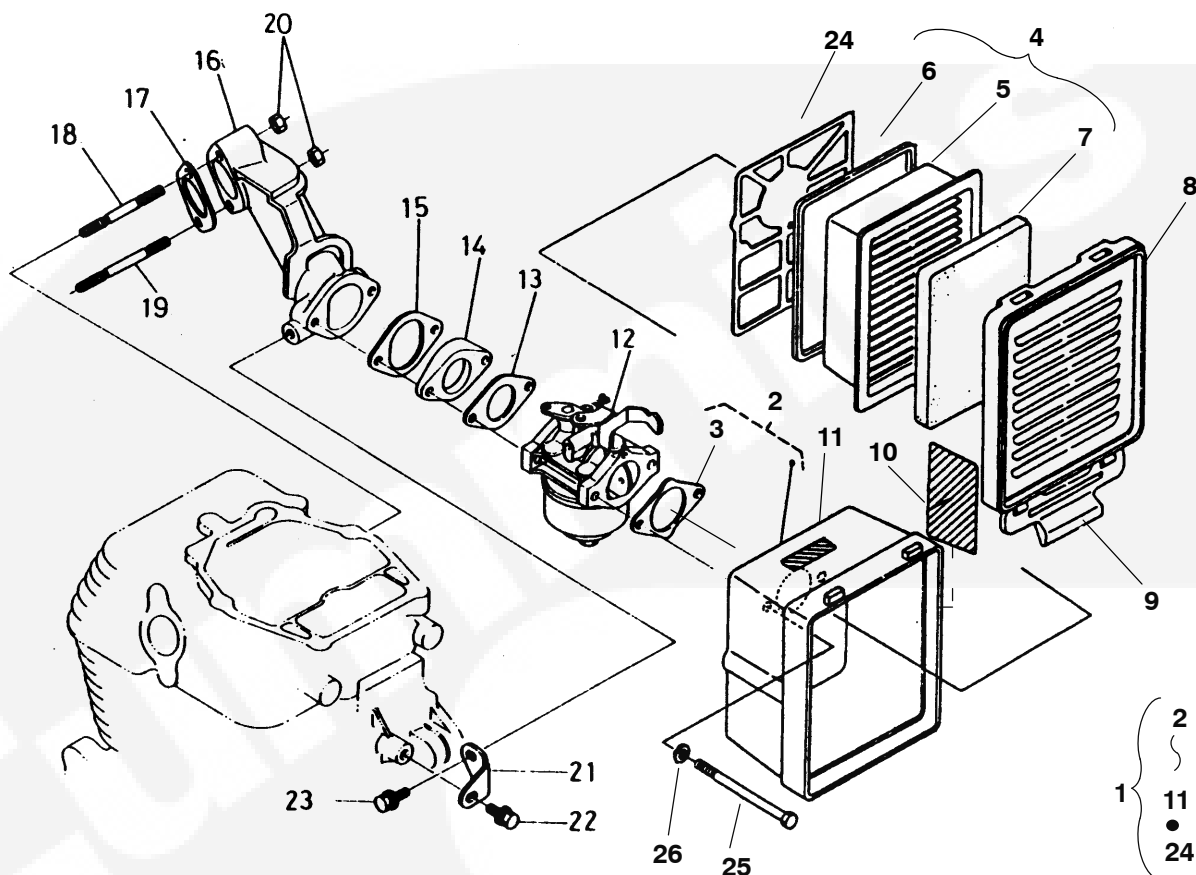
## Air Cleaner (Style II) (Prior to Spec C)



REF NO.	PART NO.	QTY USED	PART DESCRIPTION	REF NO.	PART NO.	QTY USED	PART DESCRIPTION
1	185-5299	1	Cleaner Assy, Air (Includes Parts Marked *)	14	185-5214	1	Insulator
2	185-5300	1	*Body, Air Cleaner (Includes Gasket)	15	185-2864	1	Gasket, Insulator
3	185-5303	1	Gasket, Air Cleaner	16	185-2858	1	Elbow, Intake
4	185-5301	1	*Element Assy, Air Cleaner (Includes Primary and Secondary Elements)	17	185-2859	1	Gasket, Elbow
5	185-5321	1	Element, Primary	18	185-2855	1	Stud
6	185-5322	1	Element, Secondary	19	154-2818	1	Stud
7	185-5302	1	*Cover, Air Cleaner	20	185-3802	2	Nut
8	185-5304	1	*Label, Air Cleaner	21	185-2879	1	Stay, Intake Elbow
9	185-4066	1	*Label, Choke	22	815-0753	1	Bolt
10	185-5306	1	*Plate	23	185-2386	1	Bolt
11	185-2562	2	Bolt	24	185-2380	2	Washer, Spring
12	185-2509	1	Carburetor	25	185-6844	1	Bracket
13	185-2863	1	Gasket, Carburetor				

\* - Parts Included in Air Cleaner Assy.

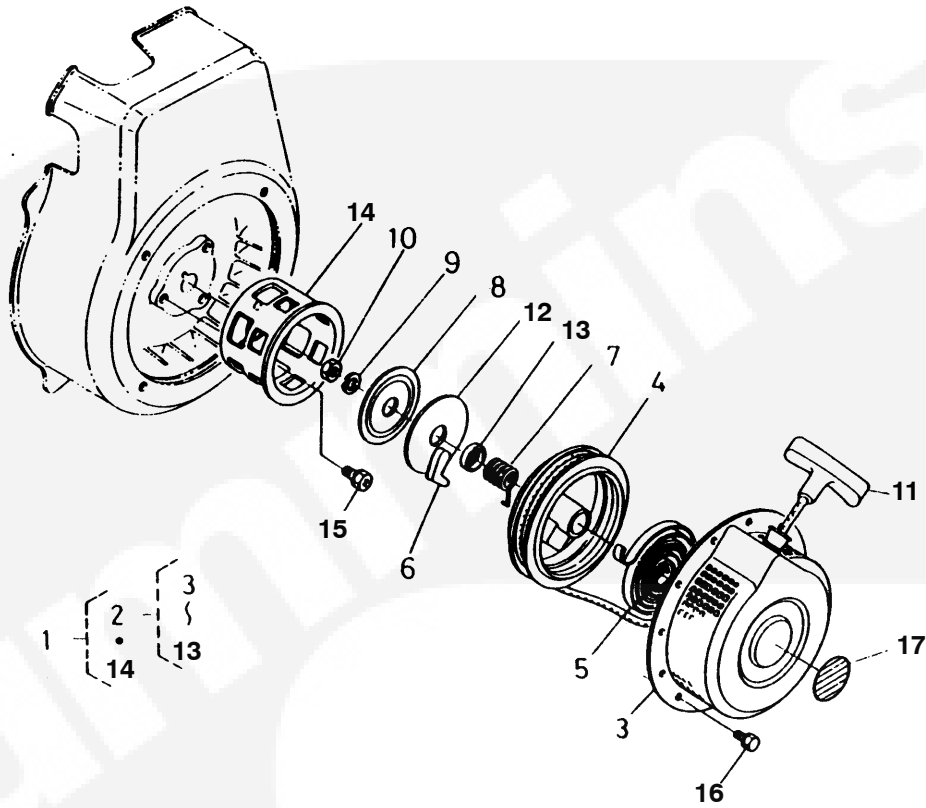
## Air Cleaner (Begin Spec C)



REF NO.	PART NO.	QTY USED	PART DESCRIPTION	REF NO.	PART NO.	QTY USED	PART DESCRIPTION
1	185-5299	1	Cleaner Assy, Air (Includes Parts Marked *)	14	185-5214	1	Insulator
2	185-5300	1	*Housing, Air Cleaner (Includes Gasket)	15	185-2864	1	Gasket, Insulator
3	185-2857	1	Gasket, Air Cleaner	16	185-2858	1	Elbow, Intake
4	185-5301	1	*Element Assy, Air Cleaner (Includes Elements and Gasket)	17	185-2859	1	Gasket, Elbow
5	185-7188	1	Element, Primary	18	185-2855	1	Stud
6	185-7190	1	Gasket, Element	19	154-2818	1	Stud
7	185-7189	1	Element, Secondary	20	185-7134	2	Nut
8	185-5302	1	*Cover, Air Cleaner	21	185-2879	1	Stay, Intake Elbow
9	185-6844	1	*Bracket, Mounting	22	815-0753	1	Bolt
10	185-7132	1	*Label, Air Cleaner	23	185-2560	1	Bolt
11	185-4066	1	*Label, Choke	24	185-7131	1	*Plate
12	185-7133	1	Carburetor	25	185-2562	2	Bolt
13	185-2863	1	Gasket, Carburetor	26	185-6759	2	Washer, Spring

\* - Parts Included in Air Cleaner Assy.

**Recoil Starter  
(Style I)  
(Use Prior to 6/90, Spec A/B)**

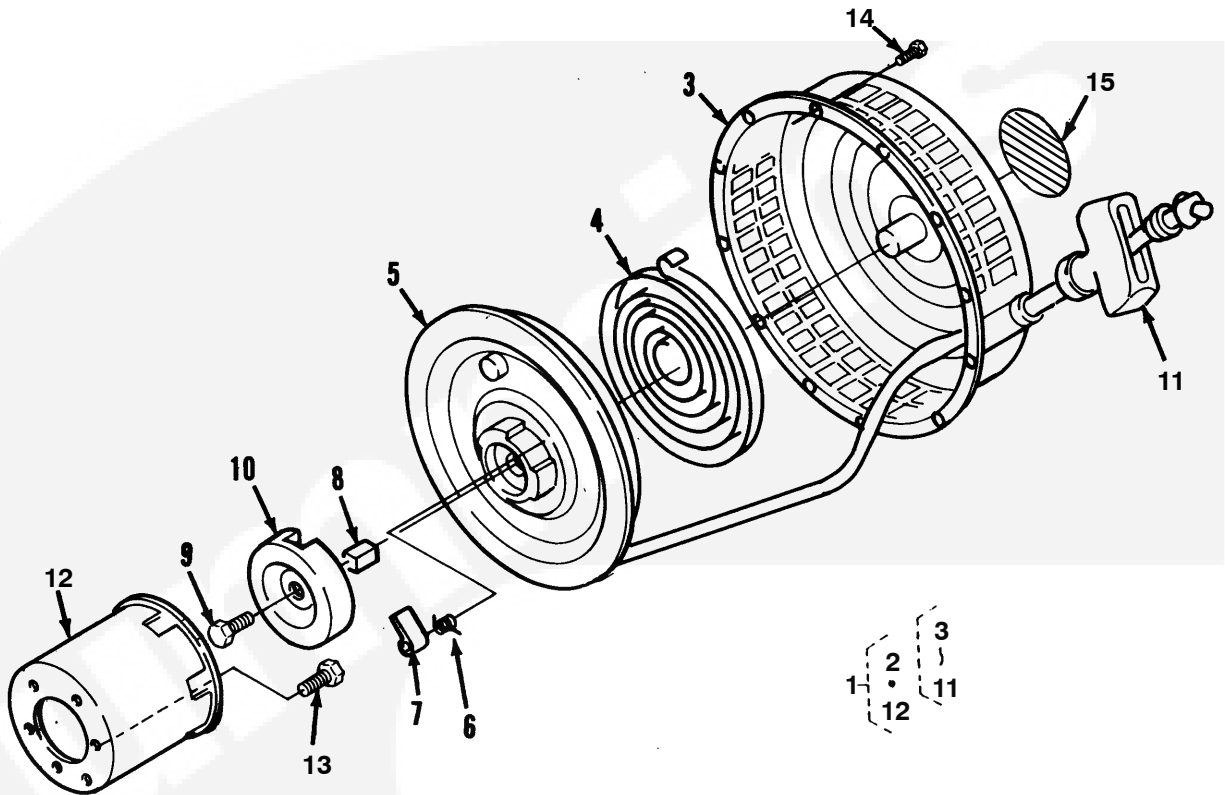


REF NO.	PART NO.	QTY USED	PART DESCRIPTION	REF NO.	PART NO.	QTY USED	PART DESCRIPTION
1	185-2539	1	Starter, Recoil (Includes Starter Sub Assy and Starter Pulley)	10	185-3033	1	*Nut
2	185-2957	1	Starter, Recoil Sub (Includes Parts Marked *)	11	185-3681	1	*Rope, Starter
3	185-2958	1	*Case, Recoil Starter	12	185-3792	1	*Plate, Slide
4	185-3787	1	*Plate, Reel	13	185-3793	1	*Cover, Spring
5	185-3788	1	*Spring, Spiral	14	185-3794	1	Pulley, Start
6	185-3810	3	*Ratchet	15	185-3009	3	Bolt
7	185-3811	3	*Spring, Friction	16	185-3013	4	Bolt
8	185-3789	1	*Plate, Friction	17	185-4944	1	Label, Electronic
9	185-2381	1	*Washer, Spring				

\* - Parts Included in Starter Sub Assy.



**Recoil Starter  
(Style II)  
(Use Beginning 6/90, Spec A/B)**

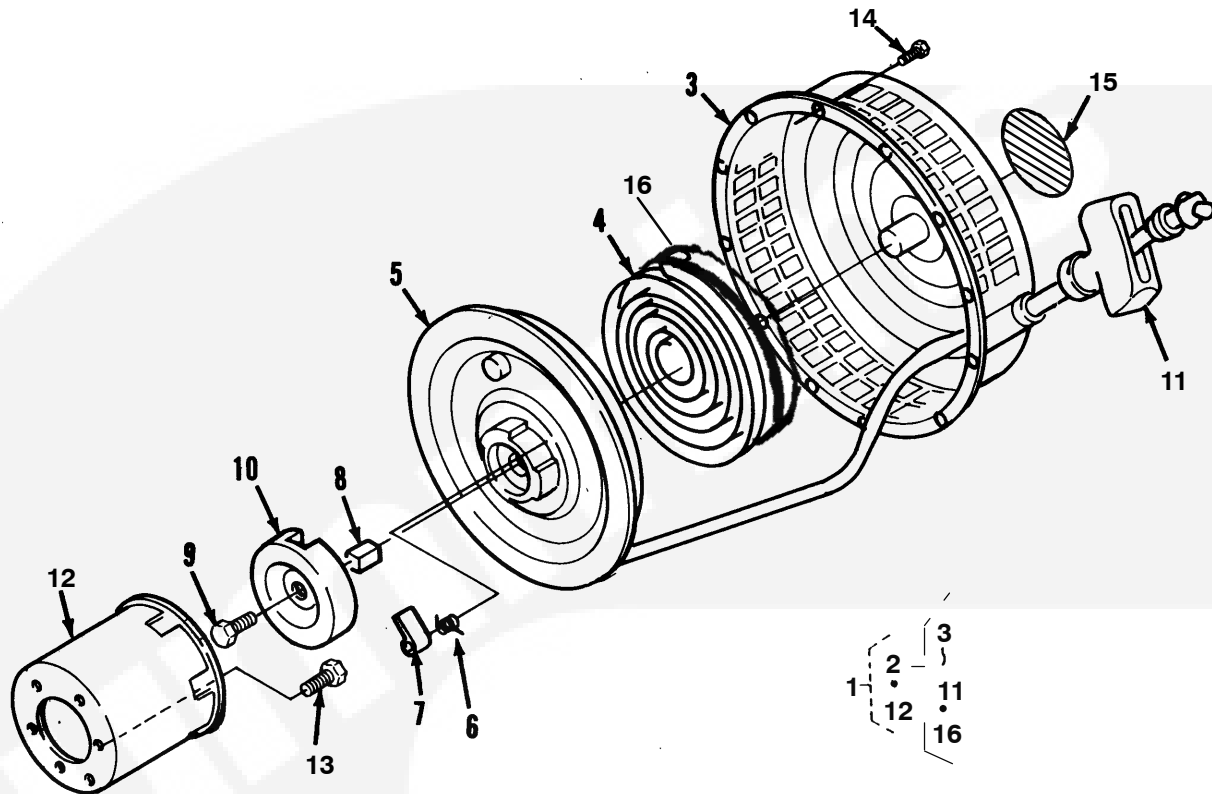


REF NO.	PART NO.	QTY USED	PART DESCRIPTION	REF NO.	PART NO.	QTY USED	PART DESCRIPTION
1	185-5277	1	Starter, Recoil (Includes Starter Sub Assy and Start Pulley)	9	185-5289	1	*Screw, Center
2	185-5278	1	Starter, Recoil Sub (Includes Parts Marked *)	10	185-2767	1	*Retainer
3	185-5287	1	*Case	11	185-3681	1	*Rope, Starter
4	185-5288	1	*Spring	12	185-5290	1	Pulley, Start
5	185-5279	1	*Reel	13	185-3009	3	Bolt
6	185-2942	3	*Spring, Dog	14	185-3013	4	Bolt
7	185-5236	3	*Ratchet	15	185-4944	1	Label, Electronic
8	185-2768	1	*Spring, Brake				

\* - Parts Included in Starter Sub Assy.



## Recoil Starter (Begin Spec C through 12/96)



REF NO.	PART NO.	QTY USED	PART DESCRIPTION	REF NO.	PART NO.	QTY USED	PART DESCRIPTION
1	185-6376	1	Starter, Recoil (Includes Recoil Starter Subassy and Start Pulley)	9	185-7152	1	*Screw, Center
2	185-7146	1	Starter, Recoil Sub (Includes Parts Marked *)	10	185-7153	1	*Retainer
3	185-7147	1	*Case	11	185-7154	1	*Rope, Starter
4	185-7148	1	*Spring	12	185-6377	1	Pulley, Start
5	185-7149	1	*Reel	13	185-6956	3	Bolt
6	185-2942	2	*Spring, Dog	14	185-7185	4	Bolt
7	185-7150	2	*Ratchet	15	185-4944	1	Label, Electronic
8	185-7151	1	*Spring, Brake	16	185-7160	1	*Case, Spring

\* - Parts Included in Recoil Starter Subassy.

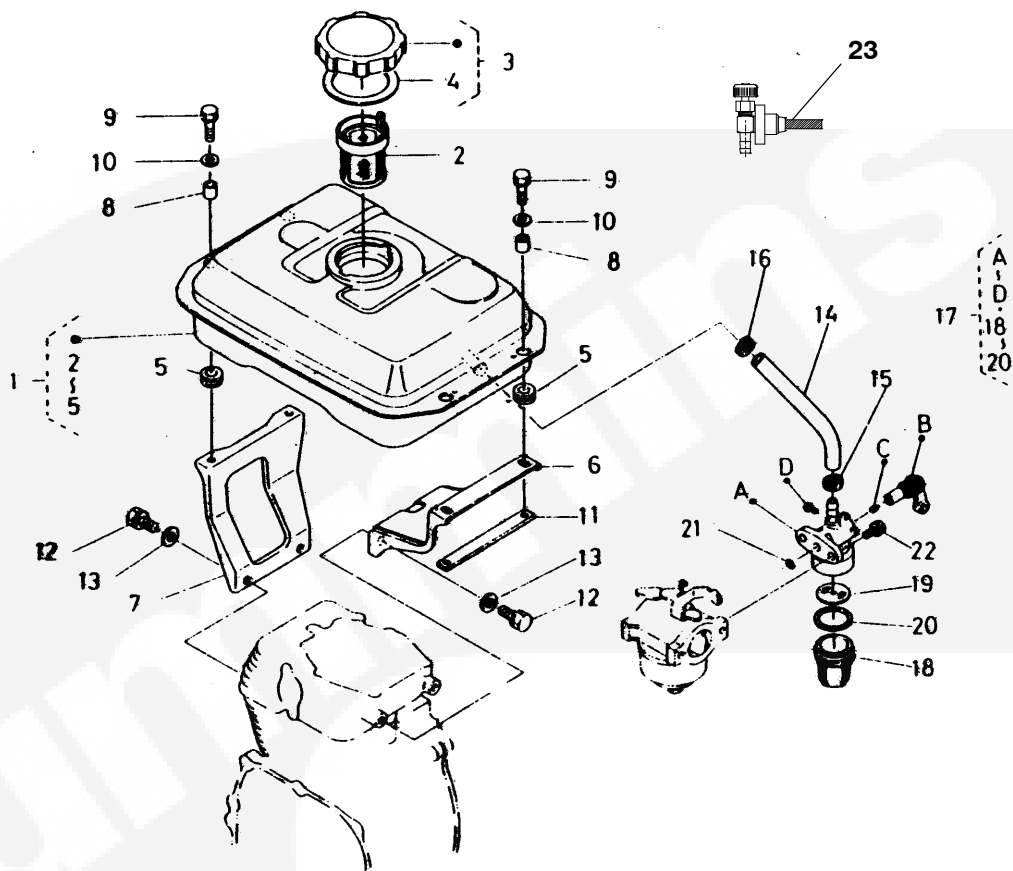
**Recoil Starter  
(Spec C Beginning 12/96)**

<b>REF NO.</b>	<b>PART NO.</b>	<b>QTY USED</b>	<b>PART DESCRIPTION</b>
1	185-6962	1	*Starter, Recoil

\* - Parts Breakdown not Available at Time of Print.



## Fuel Tank

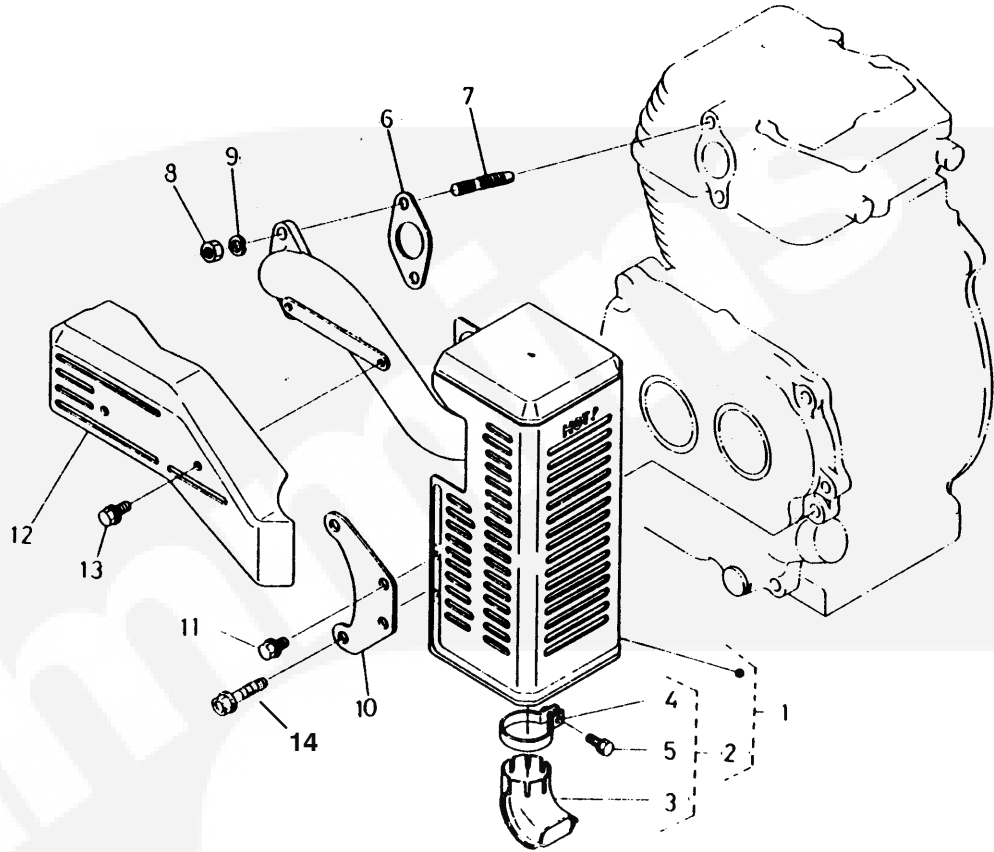


REF NO.	PART NO.	QTY USED	PART DESCRIPTION	REF NO.	PART NO.	QTY USED	PART DESCRIPTION
1	185-2779	1	*Tank, Fuel (Includes Filter, Cap and Cushion)	16	185-2728	1	*Clip, Pipe
2	185-2808	1	*Filter, Fuel	17	185-2881	1	Filter, Fuel (Includes Cup, Element and Gasket Plus Items A-D)
3	185-4507	1	*Cap, Fuel Tank (Includes Gasket)		185-7198	1	Filter, Fuel (In Some Cases This Larger Filter is Used)
	415-0634	1	Fuel Cap, with Gauge	18	185-2998	1	Cup
4	185-4508	1	*Gasket, Tank Cap	19	185-2498	1	Element, Filter
5	185-2809	4	*Cushion	20	185-2930	1	Gasket
6	185-2805	1	*Bracket, Fuel Tank	21	185-2885	1	O'Ring
7	185-2806	1	*Bracket, Fuel Tank	22	185-3051	2	Screw, With Washer
8	185-2810	4	*Collar	23	159-1442	1	+ Valve, Shutoff
9	185-2559	4	*Bolt				
10	185-4921	4	*Washer, Plain				
11	185-2807	1	*Nut, Plate				
12	185-2402	4	*Bolt				
13	185-2828	4	*Washer				
14	185-2481	1	*Tube, Fuel				
15	185-3372	1	*Clip, Fuel Pipe				

\* - Spec 1/14000 Units Only (See Control Page for Spec 34879/38018 Fuel Tank).

+ - Some units use Shutoff Valve 159-1442

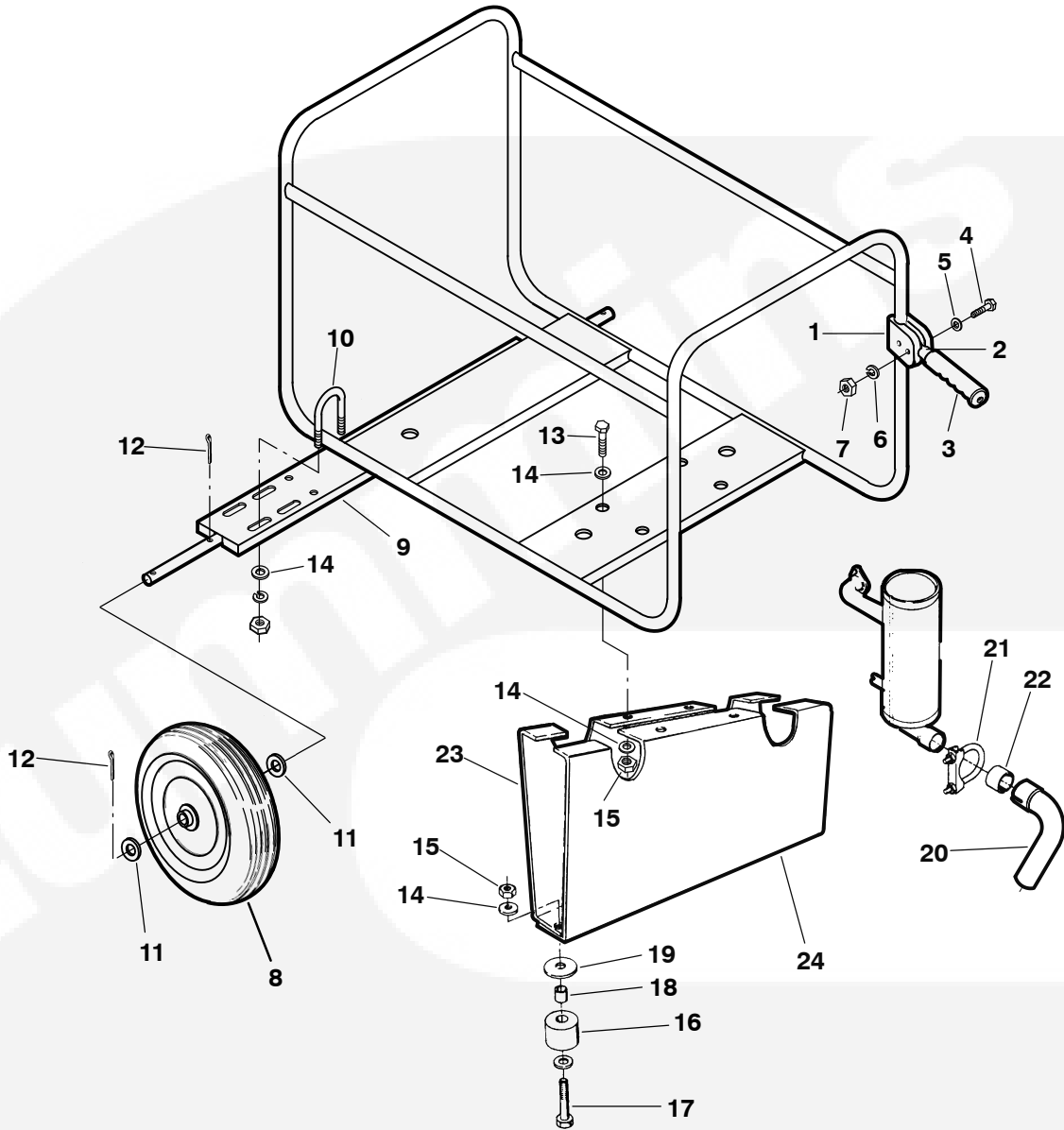
## Muffler



REF NO.	PART NO.	QTY USED	PART DESCRIPTION	REF NO.	PART NO.	QTY USED	PART DESCRIPTION
1	155-2523	1	Muffler (Includes Cover)	9	185-2381	2	Washer, Spring
2	185-2761	1	Cover (Includes Cover and Band)	10	185-2781	1	Stay, Muffler
3	185-2762	1	Cover, Muffler Flange		185-2803	1	Spec 34879, 38018
4	185-2760	1	Band, Muffler		185-2803	1	Spec 1, 14000
5	185-2391	1	Bolt	11	185-2560	2	Bolt
6	185-2860	1	Gasket, Muffler	12	185-2804	1	Cover, Muffler Flange
7	520-2216	2	Stud	13	185-3012	2	Bolt
8	185-2366	2	Nut	14	815-0780	2	Bolt

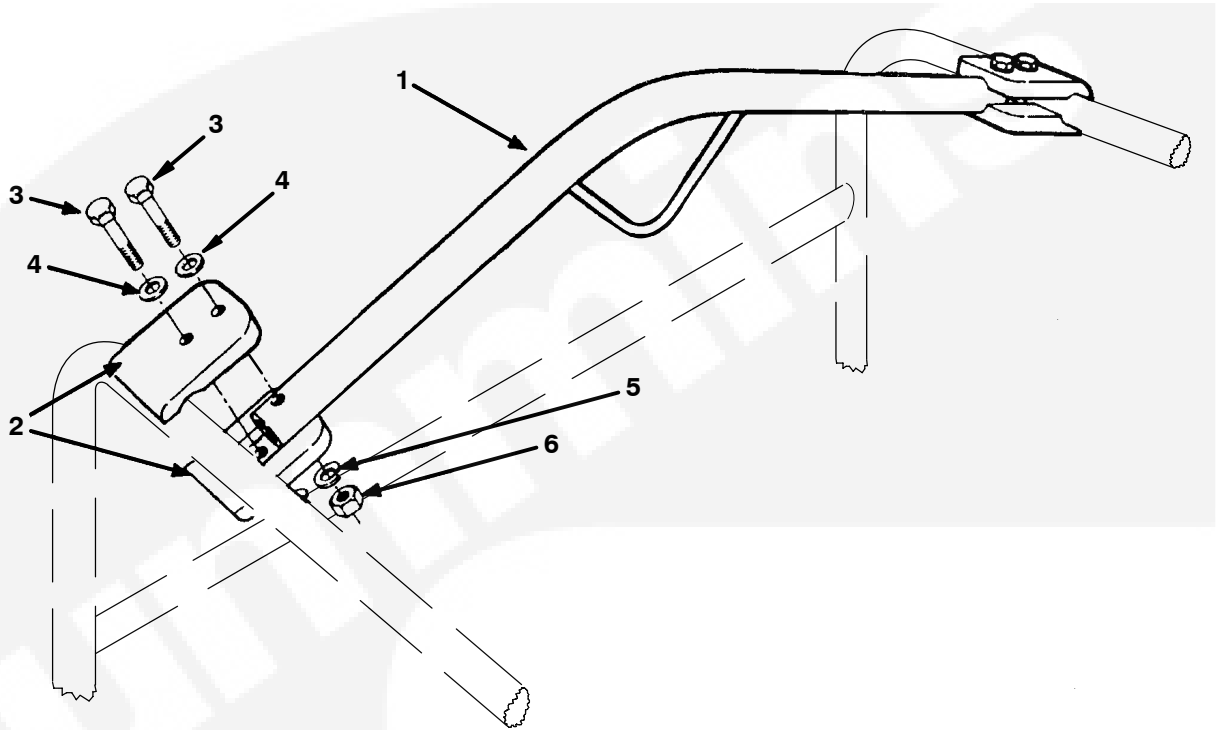


# Dolly



REF NO.	PART NO.	QTY USED	PART DESCRIPTION	REF NO.	PART NO.	QTY USED	PART DESCRIPTION
1	410-1070	4	Clamp	14	526-0052	16	Washer, Flat (1/4)
2	410-1071	2	Handle	15	327-0861	14	Nut, Keps (1/4-20)
3	403-1477	2	Grip	16	327-0953	2	Bumper
4	800-0033	4	Screw, Hex Head Cap (5/16-18 x 2)	17	800-0007	2	Screw, Hex Head Cap (1/4-20 x 1)
5	526-0054	4	Washer, Flat (5/16)	18	327-1018	2	Spacer
6	327-0882	4	Washer, Lock (5/16)	19	327-0880	2	Washer, Flat (5/16 x 1.5)
7	327-0877	4	Nut, Hex (5/16-18)	20	155-2562	1	Extension, Exhaust
8	410-1072	2	Wheel	21	155-1256	1	Clamp, Muffler (1-1/8)
9	410-1104	1	Axel Assy	22	370-4074	1	Spacer, Exhaust
10	410-1105	4	Bolt, U	23	410-1099	1	Bracket, Support
11	526-0198	4	Washer, Flat (5/8)	24	410-1100	1	Bracket, Support
12	516-0115	4	Pin, Cotter (1/8 x 1.5)				
13	800-0005	4	Screw, Hex Head Cap (1/4-20 x 3/4)				

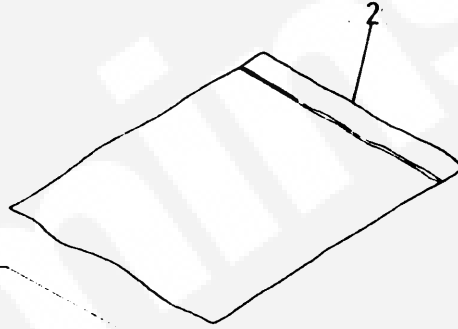
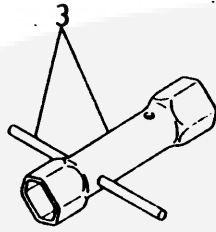
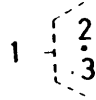
## Lifting Bracket



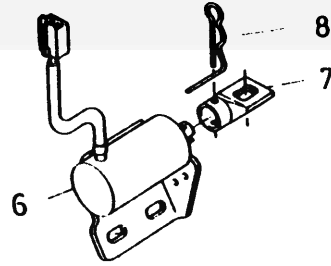
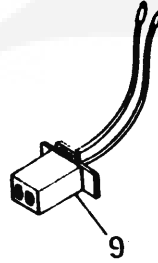
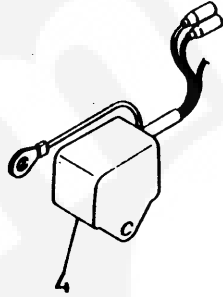
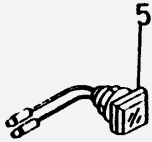
REF NO.	PART NO.	QTY USED	PART DESCRIPTION	REF NO.	PART NO.	QTY USED	PART DESCRIPTION
1	403-3077	1	Bracket, Lifting	4	526-0054	4	Washer, Flat (5/16)
2	410-1070	4	Clamp	5	850-0045	4	Washer, Spring Lock (5/16)
3	800-0033	4	Screw, Hex Head Cap (5/16-18 x 2)	6	862-0015	4	Nut, Hex (5/16-18)



# Tools



## SHIPMENT PARTS



REF NO.	PART NO.	QTY USED	PART DESCRIPTION
1	185-2955	1	Bag Assy, Tools
2	185-2754	1	Bag, Tools
3	185-2763	1	Box, Plug
4	185-4699	1	Watch, Oil
5	185-2551	1	Lamp, Oil
6			Solenoid
	185-6830	1	ESN Begin 552231
	185-6831	1	ESN 552230 & Below

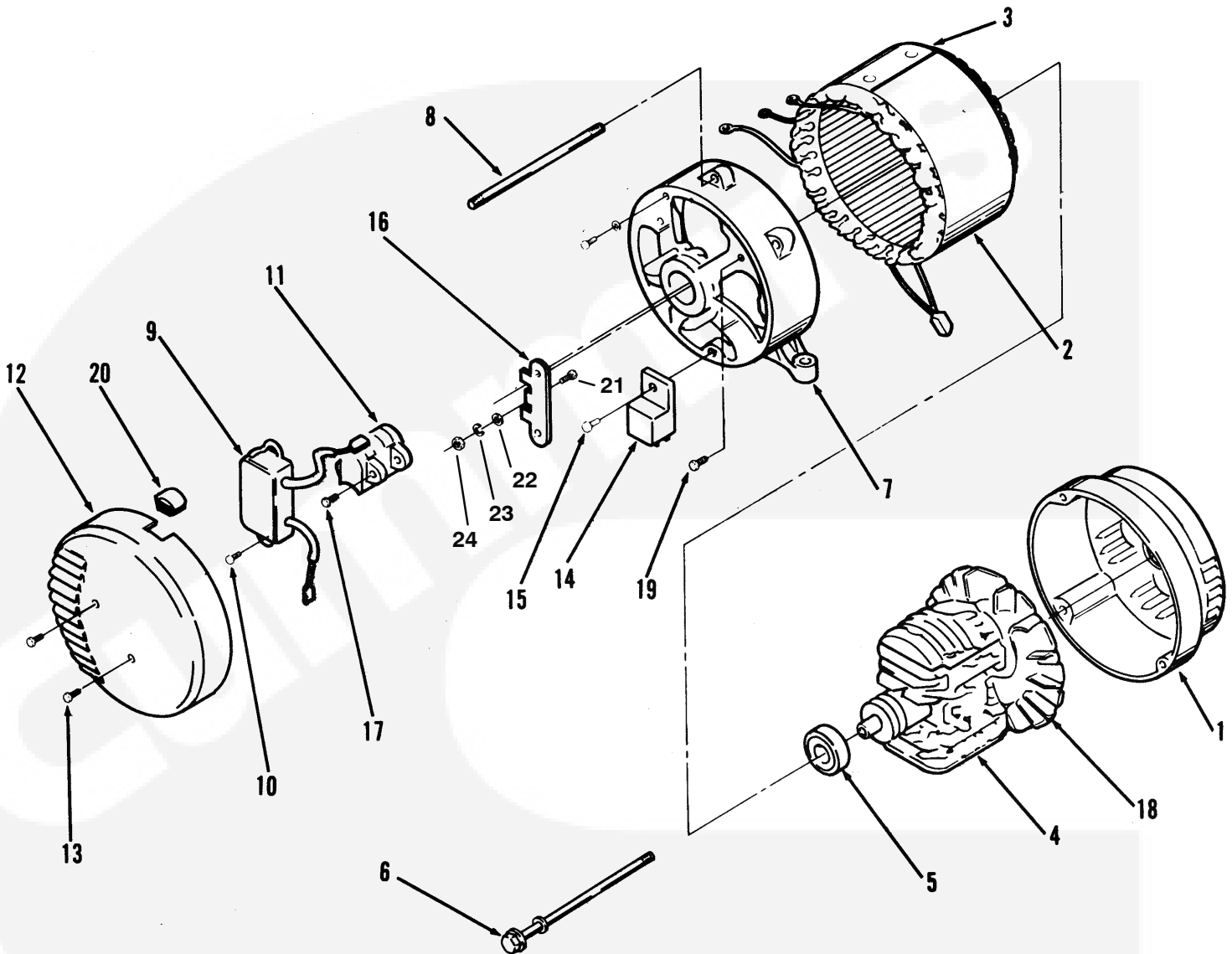
REF NO.	PART NO.	QTY USED	PART DESCRIPTION
7			Stay
	185-6832	1	ESN Begin 552231
	185-2553	1	ESN 552230 & Below
8	185-2554	1	Pin, Spring
9	185-2782	1	*Harness, Wiring

\* - Used on Specs 34879, 38018 Only.





## Generator (60Hz)

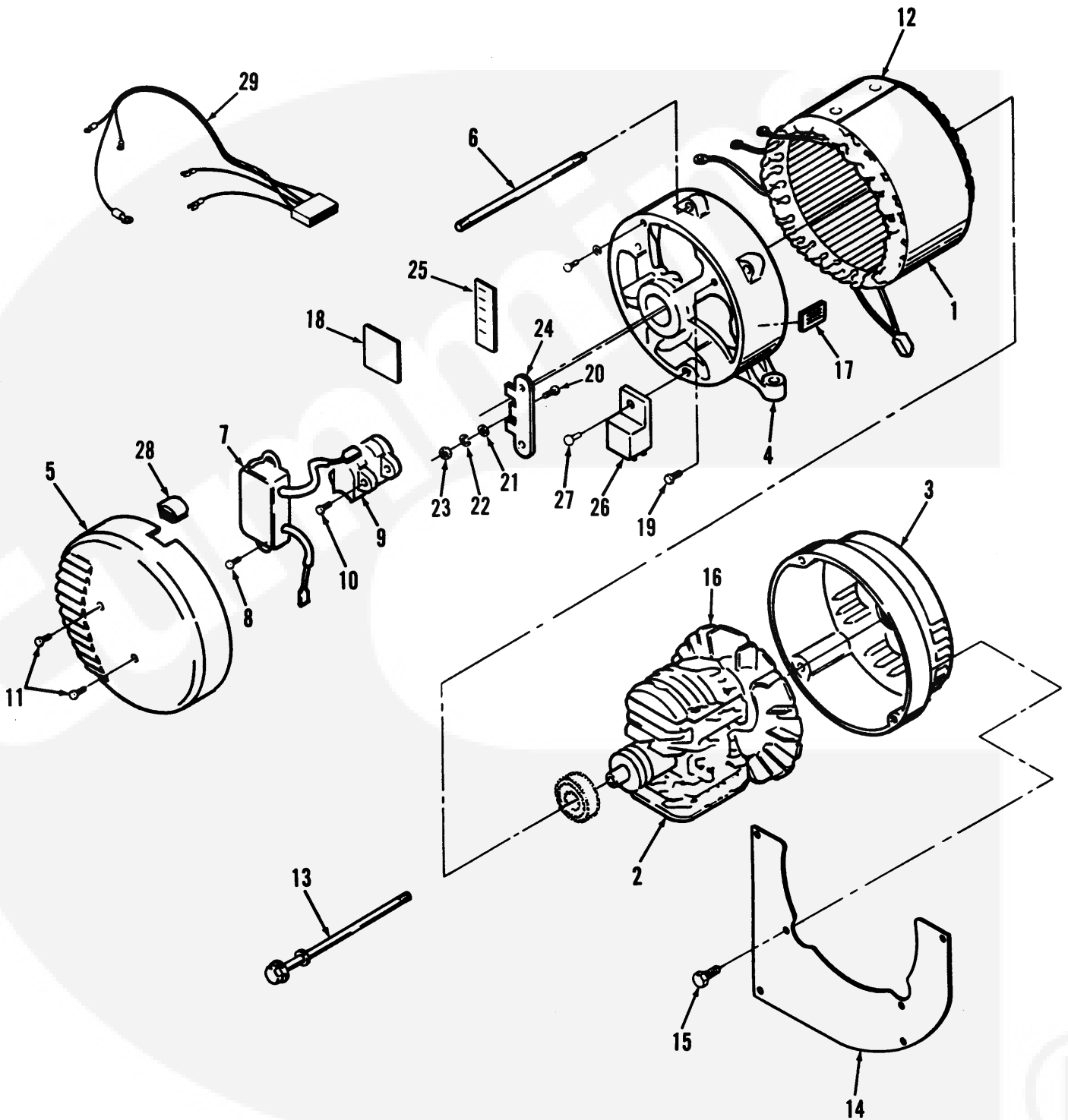


REF NO.	PART NO.	QTY USED	PART DESCRIPTION	REF NO.	PART NO.	QTY USED	PART DESCRIPTION
1	249-5071	1	Generator, Replacement	15	249-0720	1	Screw, DC Diode
2	249-0711	1	Adapter	16	249-0721	1	Terminal Assy
3	249-0729	1	Cover, Stator	17	249-0722	1	Screw, Brush Holder
4	NFS*	1	Stator	18	249-0723	1	Fan, Rotor
5	249-0712	1	Bearing, Ball	19	249-0724	1	Screw, Earth
6	249-0735	1	Bolt, Rotor Mount	20	249-0725	1	Bushing, Rubber
7	249-0713	1	Endbell	21	249-0747	4	Bolt, Terminal (M5 x 20mm)
8	249-0738	4	Bolt, Stator Mount	22	249-0780	4	Washer, Flat (M5)
9	249-0715	1	Regulator, Automatic Voltage	23	249-0749	8	Washer, Spring Lock (M5)
10	249-0714	1	Screw, Automatic Voltage Regulator Mount	24	249-0750	8	Nut, Hex Lock (M5)
11	249-0716	2	#Holder Assy, Brush				
12	249-0717	1	Cover, End				
13	249-0718	2	Bolt, End Cover				
14	185-5005	1	Diode Assy, DC				

\* - Must Purchase Replacement Generator.

# - Includes 2 Brushes.

# Generator (50Hz)



## Generator (50Hz)

REF NO.	PART NO.	QTY USED	PART DESCRIPTION	REF NO.	PART NO.	QTY USED	PART DESCRIPTION
			Generator, Replacement	14	249-0745	1	Plate, Cover
	249-0194	1	Spec A	15			Screw, Plate
	249-5074	1	Spec B		249-0720	7	Spec A (M5 x 12mm)
1	NFS*		Stator		249-0779	7	Spec B (M5 x 10mm)
2	NFS*		Rotor	16	249-0723	1	Fan, Rotor
3	249-0711	1	Adapter	17	249-0773	1	Plate, Name
4	249-0713	1	Endbell	18	249-0746	2	Plate
5	249-0717	1	Cover, End	19	249-0724	1	Screw, Ground (M5 x 12mm)
6			Bolt, Stator Mount	20	249-0747	4	Bolt, Terminal (M5 x 20mm)
	249-0739	4	Spec A (M6 x 140mm)	21	249-0780	4	Washer, Flat (M5)
	249-0707	4	Begin Spec B (M6 x 125mm)	22	249-0749	8	Washer, Lock - Spring (M5)
7	249-0715	1	Regulator, Automatic Voltage	23	249-0750	8	Nut, Lock - Hex (M5)
8	249-0714	7	Screw, AVR Mounting (M5 x 14mm)	24	249-0765	1	Terminal Assembly
				25	249-0751	1	Marker, Terminal
9	249-0716	1	Holder Assy, Brush	26	185-5005	1	Diode Assy, DC
10	249-0722	1	Screw, Brush Holder (M5 x 18mm)	27	249-0720	1	Screw, DC Diode (M5 x 12mm)
				28	249-0725	1	Bushing, Rubber
11	249-0718	2	Bolt, End Cover (M5 x 20mm)	29	249-0752	1	Harness, Wire (with Coupler)
12			Cover, Stator				
	249-0730	1	Spec A				
	249-0777	1	Spec B				
13			Bolt, Rotor Mounting (5/16 - 24 unf)				
	249-0736	1	Spec A				
	249-0778	1	Spec B				

\* - Must Purchase Replacement Generator.



**Control  
(60Hz)  
(Spec 1, 14000)**

REF NO.	PART NO.	QTY USED	PART DESCRIPTION	REF NO.	PART NO.	QTY USED	PART DESCRIPTION
	327-0926	1	Back, Control Box		327-0850	9	Nut, Hex (#8-32)
			Panel, Front Control		327-0851	2	Bushing
			Spec 1		327-0892	1	Clamp, Cable (.25 ID)
	327-0937	1	Spec A		327-0893	1	Clamp, Cable (.375 ID)
	327-0969	1	Spec B		185-4699	1	Module, Low Oil
	327-1025		Spec 14000		185-2551	1	Light, Low Oil
	327-0849	10	Washer, Lock (#8) (Spec 1 Only)				
	323-1107	1	Receptacle, Twistlock (125 Volt, 30 Amp) (Mates with 323-0862 Plug)		327-0947	1	Rollcage
					337-2462	1	Strap, 7" Ground
	323-1111	1	Receptacle, Twistlock (250 Volt 20 Amp) (Mates with 323-0857 Plug)		327-0923	4	Bolt, "U"
			Receptacle, GFI		327-0887	1	Screw, Hex Head Cap (5/16-18 x 3/4)
	327-0921	1	Spec 1B Only (125V, 20A)		327-0859	1	Line, 5" Fuel (1/4ID x 1/2"OD)
	327-1048	1	Spec 14000 (125V, 15A)				Clip, Fuel Line
			Breaker, Circuit (250V, 20A)		327-0860	2	Spec 1 (Plastic)
	320-0541	2	Spec 1		327-1086	2	Spec 14000
	320-0541	3	Spec 14000		327-0833	4	Mount, Vibration
	327-0843	1	Lug, Ground		327-0880	4	Washer, Chrome (5/16 x 1-1/2)
	327-0846	1	Screw, Phillips Head Machine (#10-24 x 1)		327-0877	11	Nut, Chrome (5/16-18)
	327-0911	2	Nut, Hex (#10-24)		327-0924	4	Screw, Hex Head Cap (Engine Bolt Guard) (3/8-16 x 1-1/4)
	327-0912	2	Washer, Lock (#10)		327-0879	4	Washer, Engine Bolt Lock (3/8)
	327-0847	19	Screw, Phillips Head Machine (#8-32 x 1/2)		327-0841	2	Tie Wrap
					327-0933	1	Shield, Heat



**Control  
(60Hz)  
(Spec 34879, 38018)**

REF NO.	PART NO.	QTY USED	PART DESCRIPTION	REF NO.	PART NO.	QTY USED	PART DESCRIPTION
			Box, Control (Includes Parts Marked +)	327-0853	2	+ Screw, Pan Head Machine (Phillips) (M5 x .08 x 30mm)	
327-1089		1	Voltage Code AB	327-0854	2	+ Nut, Hex (M5)	
327-1084		1	Voltage Code EB	327-0891	1	+ Idlematic Control Unit	
327-1008		1	+ Back, Control Box Panel, Front Control Spec 34879	327-0867	1	+ Spacer, Idler	
			Spec A	327-0896	1	+ Connector, Idler	
327-0937		1	Voltage Code AB	327-0897	3	+ Terminal	
327-0939		1	Voltage Code EB	327-0948	1	Rollcage	
			Spec B	327-0923	4	Bolt, U	
327-0939		1	Voltage Code AB	159-1234	1	Tank, Fuel	
327-1014		1	Voltage Code EB	159-1442	1	Valve, Fuel Shutoff (Includes Grommet)	
			Spec 38018	415-0634	1	Cap-With Gauge	
327-1090			Voltage Code AB	327-1208	1	Cap-Top Vent	
327-1029			Voltage Code EB	327-0859	1	Line, 37" Fuel (1/4ID x 1/2"OD)	
			Receptacle Spec 34879	327-0860	2	Clip, Fuel Line	
			(Contact SML, 2392-PE)	327-0957	4	Screw, Hex Head Cap (1/4-20 x 1-1/2)	
323-1106		1	Spec A (Duplex) (120V, 20A)	327-1020	6	Retainer Assy	
327-0921		1	Spec B (GFI) (125V, 20A)	327-0929	1	Shield, Fuel Tank	
327-1048		1	+ Spec 38018 (GFI) (125V, 15A)	327-0935	1	Shield, Heat	
323-1107		1	+ Receptacle, Twistlock (125 Volt) (Mates with 323-0862 Plug)	327-0861	2	Nut, Keps (1/4-20)	
323-1111		1	+ Receptacle, Twistlock (250 Volt) (Mates with 323-0857 Plug)	327-0862	4	Washer, Flat (5/16 x 3/4 x .062)	
327-0858		1	+ Receptacle (12 Volt DC)	337-2462	1	Strap, 7" Ground	
320-0541		3	+ Breaker, Circuit (20 Amp)	327-0887	1	Screw, Hex Head Cap (5/16-18 x 3/4)	
327-0883		2	+ Breaker, Circuit (15 Amp)	327-0899	2	Screw, Pan Head Machine (Phillips) (M6 x 12)	
327-0886		1	+ Breaker, Circuit (30 Amp)	327-0900	2	Washer, ET Lock (M6)	
			+ Switch, Start/Stop	327-0916	2	Washer, Flat (M6)	
327-0871		1	EB (On/Off/On DPDT)	327-0922	1	Adapter Assy, Solenoid	
327-0856		1	AB (On/Off SPDT)	327-0872	1	*Rectifier/Diode Assy	
327-0865		1	+ Switch, SPST (On/Off 6 Amp)	327-0872	1	*Tray, Battery	
			Idlematic	327-0988	1	*Hold-Down, Battery	
327-0866		1	+ Switch, 4PDT (Full Power) S1 Toggle 120/240	327-0869	1	*Cable, Red Battery (24")	
327-0857		1	+ Meter, Volt (0-300 VAC)	327-0914	1	*Cable, Green Battery (12")	
327-0901		2	+ Screw, Pan Head Machine (M3 x 8)	327-0915	1	Mount, Vibration	
327-0902		2	+ Washer, Lock, ET (M3) (Spec 38018 Only)	327-0833	4	Washer, Flat (5/16 x 1-1/2)	
327-0843		1	+ Lug, Ground	327-0880	4	Nut, Keps (5/16-18)	
327-0846		1	+ Screw, Pan Head Machine (Phillips) (#10-24 x 1)	327-0877	9	Screw, Socket Head Machine (3/8-16 x 1-1/8)	
327-0911		2	+ Nut, Hex (#10-24)	327-0924	4	Washer, Split Lock (3/8)	
327-0912		2	+ Washer, Split Lock (#10)	327-0879	4	Cable Assy, Battery	
327-0847		19	+ Screw, Round Head Machine (#8-32 x 1/2)	327-0837	1	Wrap, Tie	
327-0850		9	+ Nut, Keps (#8-32)	327-0841	3	Screw, Hex Head Cap (M8 x 60)	
327-0851		2	+ Bushing, Snap (.75 x 35/64)	327-0917	1	Valve, Shutoff	
327-0852		1	+ Clamp, Cable (5/16 ID)	159-1442	1	Grommet	
327-0893		1	+ Clamp, Cable (3/8 ID)	508-1227	1		
185-4699		1	+ Watch, Oil				
185-2551		1	+ Light, Oil Watch				

+ - Parts Included in Control Box.  
\* - Used on Voltage Code EB Only.  
# - Used on Voltage Code AB Only

**Control  
(50Hz)  
(Spec 1)**

REF NO.	PART NO.	QTY USED	PART DESCRIPTION	REF NO.	PART NO.	QTY USED	PART DESCRIPTION
300-3831		1	Back, Control Box	327-0849		6	Washer, Black Zinc Lock (#8-32)
300-3815		1	Base, Control Panel				
327-0843		1	Lug, Ground	323-1518		1	Receptacle, Ind 220
327-0846		1	Screw, Phillips (#10-24 x 1")	323-1521		2	Receptacle, Ind110
327-0911		2	Nut (#10-24)	320-0540		2	Breaker, Circuit (15 Amp)
327-0912		2	Washer, Lock (#10)	517-0297		4	Plugs, Breaker Hole
327-0847		19	Screw, Black Zinc Phillips (#8-32 x 1/2")				<b>3Y Option</b>
327-0849		10	Washer, Black Zinc Lock (#8-32)	300-2828		1	Panel, Ind
327-0850		8	Nut (#8-32)	327-0847		6	Screw, Black Zinc Phillips (#8-32 x 1/2")
327-0851		2	Bushing	327-0849		6	Washer, Black Zinc Lock (#8-32)
327-0892		1	Clamp, Cable (.25 ID)	323-1521		3	Receptacle, Ind 110
327-0893		1	Clamp, Cable (.375 ID)	320-0540		3	Breaker, Circuit (15 Amp)
			<b>Blank Option</b>	517-0297		3	Plug, Breaker Hole
300-3829		1	Panel, Blank				<b>1G + 2B Option</b>
327-0847		6	Screw, Black Zinc Phillips (8-32 x 1/2")	300-3827		1	Panel, European
327-0849		6	Washer, Black Zinc Lock (#8-32)	327-0847		6	Screw, Black Zinc Phillips (#8-32 x 1/2")
517-0297		6	Plug, Hole (Breaker)	327-0849		6	Washer, Black Zinc Lock (#8-32)
			<b>1U + 2Y Option</b>	323-1516		1	Receptacle, Ger
300-3826		1	Panel, UK	323-1518		2	Receptacle, Ind 220
327-0847		6	Screw, Black Zinc Phillips (8-32 x 1/2")	320-0540		6	Breaker, Circuit - 15 Amp
327-0849		6	Washer, Black Zinc Lock (#8-32)				
300-3833-03		1	Cover, Ind	327-0946		1	Rollcage
327-0847		2	Screw, Black Zinc Phillips (8-32 x 1/2")	327-0946		1	Paint, Roll Cage
327-0850		2	Nut (#8-32)	327-0859		5	Line, Fuel (4.125")
323-1513		1	Receptacle, UK Panel	327-0860		2	Clip, Fuel Line
323-1514		1	Cover, UK Panel	327-0933		1	Paint, Heat Shield
323-1521		2	Receptacle, Ind 110	337-2462		1	Strap, Ground
320-0540		2	Breaker, Circuit (15A)	327-0887		1	Screw, Hex Head (5/16-18 x 3/4")
517-0297		4	Plug, Hole (Breaker)				
			<b>1U + 1Y + 1B Option</b>	327-0877		1	Nut, Chrome (5/16-18)
300-3826		1	Panel, UK	403-3170		2	Bracket, Upper Mounting
327-0847		6	Screw, Black Zinc Phillips (8-32 x 1/2")	403-3171		2	Bracket, Lower Mounting
327-0849		6	Washer, Black Zinc Lock (#8-32)	327-0880		2	Washer, Chrome (5/16 x 1-1/2")
				327-0877		8	Nut, Chrome (5/16-18)
323-1513		1	Receptacle, UK	327-0924		4	Screw, Hex Head (Engine Bolt) (3/8-16 x 1-1/4")
323-1514		1	Cover, UK Panel				
323-1518		1	Receptacle, Ind 220	327-0879		4	Washer, Lock (Engine Bolt) (3/8-16)
323-1521		1	Receptacle, Ind 110	327-0841		2	Ty-Wrap
320-0540		3	Breaker, Circuit (15 Amp)				
517-0297		3	Plug, Hole (Breaker)	327-0861		4	Screw, Hex Head (1/4-20 x 1/2")
			<b>2Y + 1B Option</b>	327-0877		4	Nut (1/4-20)
300-3828		1	Panel, Ind	327-0877		1	Nut, Chrome (5/16-18)
327-0847		6	Screw, Black Zinc Phillips (#8-32 x 1/2")	327-0887		1	Screw, Hex Head (5/16-18 x 3/4")
				327-0904		4	Washer (1 OD x 11/32)
				155-2523		1	Muffler (With Arrestor)

**Control  
(50Hz)  
(Spec 34879)**

REF NO.	PART NO.	QTY USED	PART DESCRIPTION	REF NO.	PART NO.	QTY USED	PART DESCRIPTION
327-1008		1	Back, Control Box				(8-32 x 1/2")
300-3816		1	Base, Control Panel	327-0849		6	Washer, Black Zinc Lock (#8-32)
300-3818		1	Panel, Control Bracket				Receptacle, UK
327-0865		1	Switch, On/Off Idler	323-1513		1	Cover, UK
327-0871		1	Switch, Start/Stop (DPST)	323-1514		1	Receptacle, Ind 220
327-0857		1	Voltmeter, 0-300VAC	323-1518		1	Mate, Blue
327-0858		1	Receptacle, 12VDC	323-1519		1	Receptacle, Ind 110
327-0901		2	Screw (M3 x 8mm)	323-1521		1	Mate, Yellow
327-0902		2	Washer, Lock (M3)	323-1522		1	Breaker, Circuit (15 Amp)
320-0540		1	Breaker, Circuit (250V, 15A)	320-0540		3	Plug, Hole (Breaker)
327-0843		1	Lug, Ground	517-0297		3	<b>2Y + 1B Option</b>
327-0846		1	Screw, Phillips (#10-24 x 1")				Panel, Ind
327-0911		2	Nut (#10-24)	300-3828		1	Screw, Black Zinc Phillips (#8-32 x 1/2")
327-0912		2	Washer, Lock (#10)	327-0847		6	Washer, Black Zinc Lock (#8-32)
327-0847		18	Screw, Black Zinc Phillips (#8-32 x 1/2")	327-0849		6	Receptacle, Ind 220
327-0849		10	Washer, Black Zinc Lock (#8-32)	323-1518		1	Mate
327-0850		6	Nut (#8-32)	323-1519		1	Receptacle, Ind110
327-0851		2	Bushing	323-1521		2	Mate
327-0892		1	Clamp, Cable (.25 ID)	323-1522		2	Breaker, Circuit (15 Amp)
327-0893		1	Clamp, Cable (.375 ID)	320-0540		2	Plug, Hole (Breaker)
327-0891		1	Module, Idler	517-0297		4	<b>3Y Option</b>
327-0867		1	Spacer, Idler				Panel, Ind
327-0853		2	Screw, Phillips (M5 x 30mm)	300-2828		1	Screw, Black Zinc Phillips (#8-32 x 1/2")
327-0854		2	Nut (M5)	327-0847		6	Washer, Black Zinc Lock (#8-32)
327-0855		2	Washer, Extruded (M5)	327-0849		6	Receptacle, Ind 110
327-0896		1	Connect, Sumitomo Idler				Breaker, Circuit (15 Amp)
327-0897		3	Terminal, Sumi 2197	323-1521		3	Plug, Hole (Breaker)
327-0894		2	Connect, Sumi Solenoid	320-0540		3	<b>1G + 2B Option</b>
327-0895		4	Terminal, Sumi 2195	517-0297		3	Panel, European
327-0868		1	Harness, Wiring & Comp				Screw, Black Zinc Phillips (#8-32 x 1/2")
327-0922		1	Adapter Assy, Solenoid				Washer, Black Zinc Lock (#8-32)
300-3829		1	Panel, Blank	300-3827		1	Receptacle, Ger
327-0847		6	Screw, Black Zinc Phillips (8-32 x 1/2")	327-0847		6	Mate
327-0849		6	Washer, Black Zinc Lock (#8-32)	327-0849		6	Receptacle, Ind 220
517-0297		6	Plug, Hole (Breaker)	323-1516		1	Cage, Roll
300-3826		1	Panel, UK	323-1520		1	Paint, Roll Cage
327-0847		6	Screw, Black Zinc Phillips (8-32 x 1/2")	323-1518		2	Tank, Fuel
327-0849		6	Washer, Black Zinc Lock (8-32)	327-0948		1	Bolt, U
300-3833-03		1	Cover, Ind	159-1234		1	Cap, Gauged Gas
327-0847		2	Screw, Black Zinc Phillips (8-32 x 1/2")	327-0923		4	Line, Fuel (38")
327-0850		2	Nut (#8-32)	415-0634		1	Clip, Fuel Line
323-1513		1	Receptacle, UK Panel	327-0859		37	Support, Fuel Tank
323-1514		1	Cover, UK Panel	327-0860		2	Paint, Support
323-1521		2	Receptacle, Ind 110	327-0929		1	Shield, Heat
320-0540		2	Breaker, Circuit (15A)	327-0935		1	Nut, Black Zinc (1/4-20)
517-0297		4	Plug, Hole (Breaker)	327-0861		3	Washer, Black Zinc (3/4 ID x 5/16 OD)
			<b>1U + 1Y + 1B Option</b>	327-0888		6	Strap, Ground
300-3826		1	Panel, UK	337-2462		1	Screw, Hex Head (5/16-18 x 3/4")
327-0847		6	Screw, Black Zinc Phillips	327-0887		1	Nut, Chrome (5/16-18)

**Control  
(50Hz)  
(Spec 34879)**

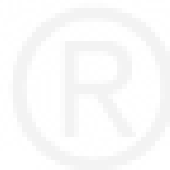
REF NO.	PART NO.	QTY USED	PART DESCRIPTION	REF NO.	PART NO.	QTY USED	PART DESCRIPTION
	110-3581	1	Bracket, Solenoid Idler		327-0837	1	Cable, Battery
	327-0899	2	Screw, Hex Head (M6 x 12mm)		327-0838	1	Clip, Battery (Red)
	327-0900	2	Washer, Lock (M6)		327-0839	1	Clip, Battery (Black)
	327-0916	2	Washer, Flat (M6)		327-0841	3	Ty-Wrap
	327-0872	1	Rectifier		327-0890	1	Plug, 12VDC
	403-3170	2	Bracket, Upper Mounting		416-0966	1	Tray, Battery
	403-3171	2	Bracket, Lower Mounting		327-0869	1	Strap, Battery Holddown
	327-0880	2	Washer, Chrome (5/16 x 1-1/2")		327-0914	1	Cable, Red Battery (24")
	327-0877	8	Nut, Chrome (5/16-18)		327-0915	1	Cable, Black Battery (12")
	327-0924	4	Screw, Hex Head (Engine Bolt) (3/8-16 x 1-1/4")		155-2523	1	Muffler (With Arrestor)
	327-0879	4	Washer, Lock (Engine Bolt) (3/8-16)		327-0917	1	Bolt, Hex (M8 x 60mm)
					327-0918	1	Washer, Flat (M8)





## Engine Gasket Kit

REF NO.	PART NO.	QTY USED	PART DESCRIPTION	REF NO.	PART NO.	QTY USED	PART DESCRIPTION
168-0217		1	Kit, Engine Gasket	185-2860		1	Gasket, Muffler
185-2517		1	Gasket, Gearcase	185-2514		1	Gasket, Valve Cover
185-2500		1	Gasket, Cylinder Head	185-4508		1	Gasket, Fuel Cap
509-0254		1	O'Ring	185-2930		1	Gasket, Fuel Filter
185-3077		1	Gasket, Oil Drain	185-2885		1	O;Ring, Fuel Filter
185-2857		1	Gasket, Air Cleaner Mounting (Style I)	150-2448		1	Seal, Governor Lever
185-2863		1	Gasket, Carburetor Flange	185-5178		1	Gasket, Carburetor Bowl-to-Body
185-2864		1	Gasket, Insulator	185-4506		1	Gasket, Carburetor Bowl
185-2859		1	Gasket, Intake Elbow	185-4565		1	Seal, Throttle Shaft
185-5303		1	Gasket, Air Cleaner Mounting (Style II)	185-3761		1	Seal, Crankshaft Oil
				185-3762		1	Seal, Crankshaft Oil



## Labels

REF NO.	PART NO.	QTY USED	PART DESCRIPTION	REF NO.	PART NO.	QTY USED	PART DESCRIPTION
098-6277		1	Label, Do Not Overfill	098-6388		1	Label, Phone Info
098-6190		1	Label, Exhaust Gas	098-6191-01		1	Label, Warning (Gasoline Vapors)
098-6185-05		1	Label, Model Ident (3500)	098-6074		1	Label, Warning (General)
			Label, Model Ident	098-6192		1	Label, Warning (Hazardous Voltage)
098-6188-05		1	Pro3500E	098-6408		1	Decal, Earth
098-6188-02		1	Pro4000				
098-6188-03		1	Pro4000E				
327-0884		1	Label, Oil Drained				



# Numerical Index

<u>Part No.</u>	<u>Page</u>	<u>Part No.</u>	<u>Page</u>	<u>Part No.</u>	<u>Page</u>	<u>Part No.</u>	<u>Page</u>
100-2953, 9		185-2387, 9		185-2763, 30		185-2825, 12 , 13	
100-2955, 9		185-2391, 27		185-2764, 19		185-2826, 12 , 13	
100-2956, 9		185-2402, 26		185-2765, 19		185-2827, 12 , 13	
100-3360, 9		185-2481, 26		185-2767, 23		185-2828, 26	
100-3361, 9		185-2497, 19		185-2768, 23		185-2829, 12	
102-1367, 9		185-2498, 26		185-2769, 10		185-2830, 13	
104-1721-01, 10		185-2500, 9 , 39		185-2770, 10		185-2833, 9	
104-1721-02, 10		185-2501, 10		185-2771, 16		185-2834, 9	
104-1721-03, 10		185-2502, 10		185-2775, 10		185-2835, 9	
104-1721-05, 10		185-2503, 12 , 13		185-2776, 10		185-2838, 11	
104-2001, 12 , 13		185-2508, 10		185-2779, 26		185-2839, 11	
110-3581, 38		185-2509, 16 , 19 , 20		185-2780, 14		185-2841, 11	
110-3596, 9		185-2512, 11		185-2781, 15 , 27		185-2842, 11	
110-3750, 9		185-2513, 9		185-2783, 12		185-2843, 10	
110-3892, 9		185-2514, 11 , 39		185-2784, 12 , 13		185-2844, 10	
112-0255, 10		185-2515, 10		185-2790, 9		185-2845, 10	
115-0463, 11		185-2516, 9		185-2792, 13		185-2846, 10	
115-0464, 11		185-2517, 9 , 39		185-2795, 9		185-2847, 9	
115-0495, 11		185-2527, 12 , 13		185-2796, 19		185-2848, 9	
115-0496, 11		185-2539, 22		185-2801, 19		185-2849, 14 , 15	
115-0497, 11		185-2551, 30 , 34 , 35		185-2803, 27		185-2850, 14 , 15	
123-1920, 9		185-2552, 15		185-2804, 27		185-2851, 14 , 15	
134-4916, 37		185-2553, 15		185-2805, 26		185-2852, 11	
150-2275, 11		185-2554, 15		185-2806, 26		185-2853, 11	
150-2286, 14		185-2559, 26		185-2807, 26		185-2855, 19 , 20 , 21	
150-2302, 11		185-2560, 21 , 27		185-2808, 26		185-2857, 19 , 21 , 39	
150-2304, 11		185-2562, 19 , 20 , 21		185-2809, 26		185-2858, 19 , 20 , 21	
150-2305, 11		185-2564, 13		185-2810, 26		185-2859, 19 , 20 , 21 , 39	
150-2448, 14 , 15 , 39		185-2565, 14 , 15		185-2811, 16		185-2860, 15 , 27 , 39	
154-2818, 20 , 21		185-2576, 14		185-2812, 16		185-2861, 9	
155-1256, 28		185-2586, 15		185-2813, 16 , 17		185-2862, 9	
155-2523, 27 , 36 , 38		185-2587, 15		185-2814, 16 , 17		185-2863, 19 , 20 , 21 , 39	
155-2562, 28		185-2589, 16 , 17		185-2815, 16 , 17		185-2864, 19 , 20 , 21 , 39	
159-1234, 35 , 37		185-2728, 26		185-2816, 16 , 17		185-2866, 13	
159-1442, 26 , 35		185-2754, 30		185-2817, 16 , 17		185-2870, 16	
167-1621, 12 , 13		185-2755, 11		185-2818, 16 , 19		185-2871, 16	
168-0217, 39		185-2758, 12 , 13		185-2819, 16 , 17		185-2872, 14	
185-2366, 14 , 15 , 27		185-2759, 12 , 13		185-2820, 16		185-2879, 19 , 20 , 21	
185-2380, 19 , 20		185-2760, 27		185-2821, 16		185-2881, 26	
185-2381, 14 , 22 , 27		185-2761, 27		185-2822, 16 , 17		185-2882, 16	
185-2386, 19 , 20		185-2762, 27		185-2823, 14		185-2883, 14	

# Numerical Index

<u>Part No.</u>	<u>Page</u>	<u>Part No.</u>	<u>Page</u>	<u>Part No.</u>	<u>Page</u>	<u>Part No.</u>	<u>Page</u>
185-2885, 26 , 39		185-3730, 12 , 13		185-5103, 11		185-7134, 21	
185-2887, 15		185-3761, 10 , 39		185-5159, 11		185-7135, 9	
185-2888, 15		185-3762, 39		185-5178, 16 , 17 , 39		185-7136, 9	
185-2897, 14		185-3773, 11		185-5214, 19 , 20 , 21		185-7137, 9	
185-2898, 14		185-3774, 11		185-5236, 23		185-7138, 17	
185-2930, 26 , 39		185-3787, 22		185-5274, 12		185-7139, 17	
185-2933, 19		185-3788, 22		185-5275, 12 , 13		185-7140, 17	
185-2934, 10		185-3789, 22		185-5277, 23		185-7141, 17	
185-2937, 13		185-3792, 22		185-5278, 23		185-7142, 17	
185-2939, 16 , 17		185-3793, 22		185-5279, 23		185-7143, 17	
185-2942, 23 , 24		185-3794, 22		185-5287, 23		185-7144, 11	
185-2945, 13		185-3802, 19 , 20		185-5288, 23		185-7145, 15	
185-2952, 19		185-3806, 11		185-5289, 23		185-7146, 24	
185-2954, 16		185-3807, 11		185-5290, 23		185-7147, 24	
185-2955, 30		185-3808, 11		185-5299, 20 , 21		185-7148, 24	
185-2956, 14 , 15		185-3809, 11		185-5300, 20 , 21		185-7149, 24	
185-2957, 22		185-3810, 22		185-5301, 20 , 21		185-7150, 24	
185-2958, 22		185-3811, 22		185-5302, 20 , 21		185-7151, 24	
185-2962, 19		185-4066, 20 , 21		185-5303, 20 , 39		185-7152, 24	
185-2971, 16		185-4128, 16 , 17		185-5304, 20		185-7153, 24	
185-2976, 12 , 13		185-4498, 14		185-5306, 20		185-7154, 24	
185-2998, 26		185-4499, 14		185-5321, 20		185-7156, 12 , 13	
185-3009, 22 , 23		185-4506, 16 , 17 , 39		185-5322, 20		185-7157, 12 , 13	
185-3012, 27		185-4507, 26		185-6376, 24		185-7158, 12 , 13	
185-3013, 9 , 22 , 23		185-4508, 26 , 39		185-6377, 24		185-7160, 24	
185-3033, 22		185-4543, 12 , 13		185-6759, 21		185-7185, 24	
185-3051, 26		185-4556, 17		185-6833, 14		185-7188, 21	
185-3077, 9 , 39		185-4558, 16		185-6834, 14		185-7189, 21	
185-3087, 11		185-4559, 16		185-6838, 10		185-7190, 21	
185-3088, 10		185-4564, 16 , 17		185-6839, 10		185-7198, 26	
185-3107, 12		185-4565, 16 , 17 , 39		185-6840, 10		249-0194, 33	
185-3157, 15		185-4699, 30 , 34 , 35		185-6841, 10		249-0707, 33	
185-3175, 9		185-4755, 16 , 17		185-6842, 10		249-0711, 31 , 33	
185-3372, 26		185-4756, 16 , 17		185-6843, 10		249-0712, 31	
185-3436, 10		185-4759, 17		185-6844, 20 , 21		249-0713, 31 , 33	
185-3437, 10		185-4805, 16 , 17		185-6956, 24		249-0714, 31 , 33	
185-3451, 9		185-4921, 26		185-6957, 15		249-0715, 31 , 33	
185-3511, 11		185-4944, 22 , 23 , 24		185-6962, 25		249-0716, 31 , 33	
185-3553, 19		185-4987, 15		185-7131, 21		249-0717, 31 , 33	
185-3566, 14		185-4990, 12 , 13		185-7132, 21		249-0718, 31 , 33	
185-3681, 22 , 23		185-5005, 31 , 33		185-7133, 17 , 21		249-0720, 31 , 33	

# Numerical Index

<u>Part No.</u>	<u>Page</u>	<u>Part No.</u>	<u>Page</u>	<u>Part No.</u>	<u>Page</u>	<u>Part No.</u>	<u>Page</u>
249-0721, <b>31</b>		323-1513, <b>36 , 37</b>		327-0882, <b>28</b>		327-0988, <b>35</b>	
249-0722, <b>31 , 33</b>		323-1514, <b>36 , 37</b>		327-0883, <b>35</b>		327-1008, <b>35 , 37</b>	
249-0723, <b>31 , 33</b>		323-1516, <b>36 , 37</b>		327-0886, <b>35</b>		327-1014, <b>35</b>	
249-0724, <b>31 , 33</b>		323-1518, <b>36 , 37</b>		327-0887, <b>34 , 35 , 36 , 37</b>		327-1018, <b>28</b>	
249-0725, <b>31 , 33</b>		323-1519, <b>37</b>		327-0888, <b>37</b>		327-1020, <b>35</b>	
249-0729, <b>31</b>		323-1520, <b>37</b>		327-0890, <b>38</b>		327-1025, <b>34</b>	
249-0730, <b>33</b>		323-1521, <b>36 , 37</b>		327-0891, <b>35 , 37</b>		327-1029, <b>35</b>	
249-0735, <b>31</b>		323-1522, <b>37</b>		327-0892, <b>34 , 36 , 37</b>		327-1048, <b>34 , 35</b>	
249-0736, <b>33</b>		327-0833, <b>34 , 35</b>		327-0893, <b>34 , 35 , 36 , 37</b>		327-1084, <b>35</b>	
249-0738, <b>31</b>		327-0837, <b>35 , 38</b>		327-0894, <b>37</b>		327-1086, <b>34</b>	
249-0739, <b>33</b>		327-0838, <b>38</b>		327-0895, <b>37</b>		327-1089, <b>35</b>	
249-0745, <b>33</b>		327-0839, <b>38</b>		327-0896, <b>35 , 37</b>		327-1090, <b>35</b>	
249-0746, <b>33</b>		327-0841, <b>34 , 35 , 36 , 38</b>		327-0897, <b>35 , 37</b>		327-1208, <b>35</b>	
249-0747, <b>31 , 33</b>		327-0843, <b>34 , 35 , 36 , 37</b>		327-0899, <b>35 , 38</b>		337-2462, <b>34 , 35 , 36 , 37</b>	
249-0749, <b>31 , 33</b>		327-0846, <b>34 , 35 , 36 , 37</b>		327-0900, <b>35 , 38</b>		370-4074, <b>28</b>	
249-0750, <b>31 , 33</b>		327-0847, <b>34 , 35 , 36 , 37</b>		327-0901, <b>35 , 37</b>		403-1477, <b>28</b>	
249-0751, <b>33</b>		327-0849, <b>34 , 36 , 37</b>		327-0902, <b>35 , 37</b>		403-3077, <b>29</b>	
249-0752, <b>33</b>		327-0850, <b>34 , 35 , 36 , 37</b>		327-0904, <b>36</b>		403-3170, <b>36 , 38</b>	
249-0765, <b>33</b>		327-0851, <b>34 , 35 , 36 , 37</b>		327-0911, <b>34 , 35 , 36 , 37</b>		403-3171, <b>36 , 38</b>	
249-0773, <b>33</b>		327-0852, <b>35</b>		327-0912, <b>34 , 35 , 36 , 37</b>		410-1070, <b>28 , 29</b>	
249-0777, <b>33</b>		327-0853, <b>35 , 37</b>		327-0914, <b>35 , 38</b>		410-1071, <b>28</b>	
249-0778, <b>33</b>		327-0854, <b>35 , 37</b>		327-0915, <b>35 , 38</b>		410-1072, <b>28</b>	
249-0779, <b>33</b>		327-0855, <b>37</b>		327-0916, <b>35 , 38</b>		410-1099, <b>28</b>	
249-0780, <b>31 , 33</b>		327-0856, <b>35</b>		327-0917, <b>35 , 38</b>		410-1100, <b>28</b>	
249-5071, <b>31</b>		327-0857, <b>35 , 37</b>		327-0918, <b>38</b>		410-1104, <b>28</b>	
249-5074, <b>33</b>		327-0858, <b>35 , 37</b>		327-0921, <b>34 , 35</b>		410-1105, <b>28</b>	
300-2828, <b>36 , 37</b>		327-0859, <b>34 , 35 , 36 , 37</b>		327-0922, <b>35 , 37</b>		415-0634, <b>26 , 35 , 37</b>	
300-3815, <b>36</b>		327-0860, <b>34 , 35 , 36 , 37</b>		327-0923, <b>34 , 35 , 37</b>		416-0966, <b>38</b>	
300-3816, <b>37</b>		327-0861, <b>28 , 35 , 36 , 37</b>		327-0924, <b>34 , 35 , 36 , 38</b>		509-0254, <b>9 , 39</b>	
300-3818, <b>37</b>		327-0862, <b>35</b>		327-0926, <b>34</b>		509-0258, <b>10</b>	
300-3826, <b>36 , 37</b>		327-0865, <b>35 , 37</b>		327-0929, <b>35 , 37</b>		510-0160, <b>10</b>	
300-3827, <b>36 , 37</b>		327-0866, <b>35</b>		327-0933, <b>34 , 36</b>		510-0182, <b>10</b>	
300-3828, <b>36 , 37</b>		327-0867, <b>35 , 37</b>		327-0935, <b>35</b>		516-0115, <b>28</b>	
300-3829, <b>36 , 37</b>		327-0868, <b>37</b>		327-0937, <b>34 , 35</b>		517-0297, <b>36 , 37</b>	
300-3831, <b>36</b>		327-0869, <b>35 , 38</b>		327-0939, <b>35</b>		518-0576, <b>14 , 15</b>	
300-3833-03, <b>36 , 37</b>		327-0871, <b>35 , 37</b>		327-0946, <b>36</b>		520-2216, <b>15 , 27</b>	
320-0540, <b>36 , 37</b>		327-0872, <b>35 , 38</b>		327-0947, <b>34</b>		526-0052, <b>28</b>	
320-0541, <b>34 , 35</b>		327-0877, <b>28 , 34 , 35 , 36 , 37 , 38</b>		327-0948, <b>35 , 37</b>		526-0054, <b>28 , 29</b>	
323-1106, <b>35</b>		327-0879, <b>34 , 35 , 36 , 38</b>		327-0953, <b>28</b>		526-0198, <b>28</b>	
323-1107, <b>34 , 35</b>		327-0880, <b>28 , 34 , 35 , 36 , 38</b>		327-0957, <b>35</b>		526-2077, <b>11</b>	
323-1111, <b>34 , 35</b>				327-0969, <b>34</b>		526-2078, <b>11</b>	

# Numerical Index

**Part No.    Page            Part No.    Page            Part No.    Page            Part No.    Page**

740-1006, 12 , 14 , 15

740-1008, 9

800-0005, 28

800-0007, 28

800-0033, 28 , 29

815-0753, 14 , 19 , 20 , 21

815-0780, 9 , 27

815-0781, 9

850-0045, 29

862-0015, 29

## **E**

E4191-13150, 9





# Cummins **Onan**

## **Cummins Power Generation**

1400 73rd Ave. NE  
Minneapolis, MN 55432 USA

Phone 1 763 574 5000

Toll-free 1 800 888 6626

Fax 1 763 574 5298

Email [www.cumminsonan.com/contact](http://www.cumminsonan.com/contact)

[www.cumminsonan.com](http://www.cumminsonan.com)

Cummins<sup>®</sup>, Onan<sup>®</sup>, the "C" logo, and "Performance you rely on." are trademarks of Cummins Inc.

©2013 Cummins Power Generation, Inc. All rights reserved.

