

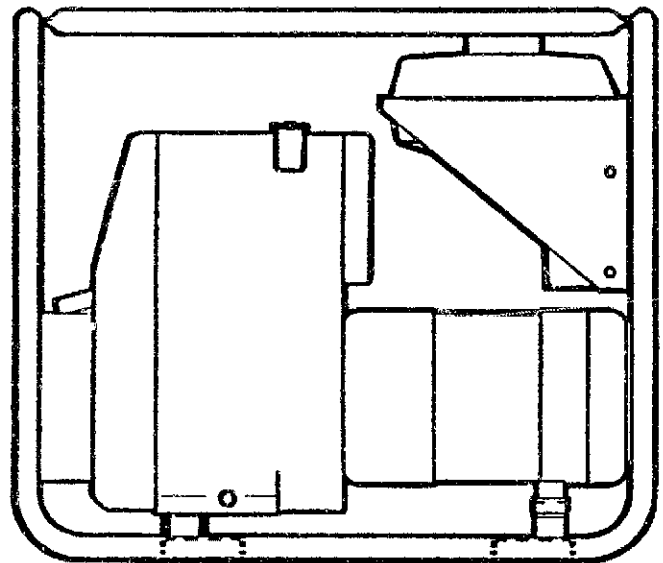
The following catalog has gaps in its page numbers, or doesn't have any numbers. We have chosen to leave the page numbering in the order that Acrobat assigns it.

Onan

PARTS CATALOG

5.0 EGH

Generating Set - 50 HZ.



981-0249
9-91 (Spec A)
Printed in U.S.A.

SAFETY PRECAUTIONS

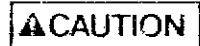
The following symbols are used in Onan manuals to alert users to the potentially dangerous conditions relating to maintenance of the equipment and replacement of parts. Please read and observe.



This symbol warns of immediate hazards which will result in severe personal injury or death.



This symbol refers to a hazard or unsafe practice which can result in severe personal injury or death.



This symbol refers to a hazard or unsafe practice which can result in personal injury or product or property damage.

MODEL IDENTIFICATION

To avoid errors or delay in filling your parts order, always give the MODEL, SPEC NO., and SERIAL NO. from the Onan nameplate.

For handy reference, insert your nameplate information in the spaces below:

MODEL AND SPEC NO.

SERIAL NO.

PRODUCT SAFETY PRECAUTIONS



Contact with USED ENGINE OILS has been identified by a United States federal agency and some USA state agencies as causing CANCER or REPRODUCTIVE TOXICITY. When checking or changing engine oils take all necessary precautions not to ingest, breathe the fumes or contact the used oil.



Contact with ASBESTOS has been identified by a United States federal agency and some USA state agencies as causing CANCER or REPRODUCTIVE TOXICITY. When handling engine gaskets take all necessary precautions not to ingest, breathe or contact the dust from the gaskets! Use adequate ventilation and wear protective gloves, masks and clothing!



Contact with BENZINE and LEAD, found in gasoline, fuel additives and solvents has been identified by a United States federal agency and some USA agencies as causing CANCER or REPRODUCTIVE TOXICITY. When checking, draining or adding gasoline and fuel additives, or using solvents take all necessary precautions not to ingest, breathe the fumes, or contact the liquids. Use adequate ventilation and wear protective gloves, masks and clothing!

This manual applies to the Portable Generator Sets as listed in the Generator Set Data Table. Parts are arranged in groups of related items and each illustrated part is identified by a reference number corresponding to the same reference number in the parts list. Parts illustrations are typical. Using the model and specification number from your generator set nameplate, select parts that apply to your set. Right and left sides are determined by facing the engine end (front) of the set.

Generator Set Data Table

MODEL AND SPECIFICATION	WATTS	RPM	VOLTS	HERTZ	WIRE	PHASE	STARTING
5.0 EGH-EM**/*	5000	3000	110/220	50	4	1	Electrical

* - The diagonal line (/) in the model and specification number separates generator set characteristics from the specification number and letter. The specification number denotes customer requested options or deviations from a standard model. The specification letter advances (A to B, B to C, etc.) with major manufacturing changes.

** - Letters are now used in the model to indicate the voltage code and replace the corresponding number and letter. (Example: 2.8 KV-FA/ was formerly 2.8 KV-1R/) This change occurred during the later portion of Spec A.

Abbreviations

NFS - NOT FOR SALE
AVR - AUTOMATIC VOLTAGE REGULATOR

Index

Adaptor, Generator 25
 Adaptor, Solenoid 24
 Arm, Rocker 6
 Armature, Starter 18

 Back, Control Box 21,22
 Bag Assembly, Tools 19
 Balancer 9
 Bearing, Ball 8,9
 Bearing, Less Oil 18
 Bell, End 25
 Block, Cylinder 3
 Body, Air Cleaner 4
 Body, Float 17
 Box, Plug 19
 Breaker, Circuit 21,22,23
 Breather 4
 Bushing, Rubber 25

 Cable, Battery 22
 Cage, Roll 21,22
 Camshaft 7
 Cap, Gas - Gauged 22
 Cap, Spark Plug 14,15
 Carburetor 4,17
 Case, Recoil Starter 13
 Clamp, Cable 23,24
 Clamp, Cord 15
 Cleaner, Air 4
 Clip, Battery 22
 Clip, Fuel Line 21,22
 Clip, Piston Pin 8
 Clutch 18
 Coil, Charger 15
 Collar, Crankshaft 8
 Collet, Spring - Valve 3
 Connector, Idler 22
 Connector, Solenoid 22
 Control 21,22
 Controller 10
 Cover, Air Cleaner 4
 Cover, Crankcase 3
 Cover, Cylinder Head 7
 Cover, End 25
 Cover, Fan 16
 Cover, Muffler Flange 5
 Cover, Oil Pump 12
 Cover, Stator 25
 Cowling, Cylinder Head 16
 Crankshaft 8

 Diode Assembly, DC 25

 Elbow, Intake 4
 Element, Air Cleaner 4

 Fan, Rotor 25
 Filter, Fuel - In-Line 21
 Filter, Oil 12
 Filter, Sub - Air Cleaner 4
 Float 17
 Frame, Commutator 18

 Gasket, Air Cleaner 4
 Gasket, Crankcase 3
 Gasket, Cylinder Head 3
 Gasket, Head Cover 7
 Gasket, Insulator 4
 Gasket, Intake Elbow 4
 Gasket, Muffler 5
 Gauge, Fuel 23
 Gauge, Oil 12
 Gear, Balancer 8,9
 Gear, Camshaft 7

 Gear, Crankshaft 8
 Gear, Governor 10
 Gear, Ring 15
 Generator 25
 Guide, Valve 3

 Handle, Starter Rope 13
 Harness, Wire 19,25
 Head, Cylinder 3
 Holder, Brush 18,25
 Holder, Jet 17
 Holder, Magneto 14
 Hook, Engine 4,5
 Housing, Starter 18

 Insulator 4,18

 Jet, Air 17
 Jet, Main 17
 Joint, Tube - Breather 7

 Key, Feather 9
 Key, Woodruff 7,8,14,15

 Lamp, Oil 19
 Lever, Choke 17
 Lever, Control - Speed 11
 Lever, Governor 10
 Lever, Starter Drive 18
 Line, Fuel 21,22
 Lug, Ground 21,22

 Magnet, Transistor 14
 Magneto 14,15
 Marker, Terminal 25
 Meter, Volt 22
 Module, Idler 22
 Muffler 5
 Muffler, Spark Arrestor 21,22

 Needle 17
 Nozzle, Main 17

 Packing, Float Chamber 17
 Paint 21,22
 Pin, Decompression 7
 Pin, Piston 8
 Pin, Straight 3,6
 Pipe, Knock 3,6
 Pilot, Jet 17
 Piston 8
 Plate, Adapter - Generator 25
 Plate, Control - Speed 11
 Plate, Pole 14
 Plate, Pressure 11
 Plate, Support - Generator 21,22
 Plug, DC - 12 Volt 22
 Plug, Drain 3
 Plug, Pin 3
 Plug, Spark 14,15
 Protector 13
 Pulley, Start 13

 Ratchet 13
 Receptacle 21,22
 Rectifier 22
 Reel 13
 Regulator, Voltage - Automatic 25
 Retainer 13
 Retainer, Valve Spring 3
 Ring, "O" 12
 Ring, Piston 8
 Rod, Connecting 8
 Rod, Governor 10

Index

Rod, Push 7
Rope, Starter 13
Rotor, Generator 25
Rotor, Magneto 14,15
Rotor, Oil Pump 12

Seal, Oil 8,10
Seal, Valve Stem 3
Sleeve, Governor 10
Shaft, Balancer 9
Shaft, Fly Weight 7
Shaft, Governor Lever 10
Shaft, Rocker Arm 6
Shaft, Throttle 17
Shield, Heat 21,22
Shim 7,8
Shim, Balancer 9
Solenoid 19
Spacer, Idler 22
Spring, Brake 13
Spring, Decompression 7
Spring, Dog 13
Spring, Governor 10
Spring, Rod 10
Spring, Valve 3
Starter, Cell 15,18
Starter, Recoil 13
Stator 25
Stay, Muffler 5
Stay, Solenoid 10,19

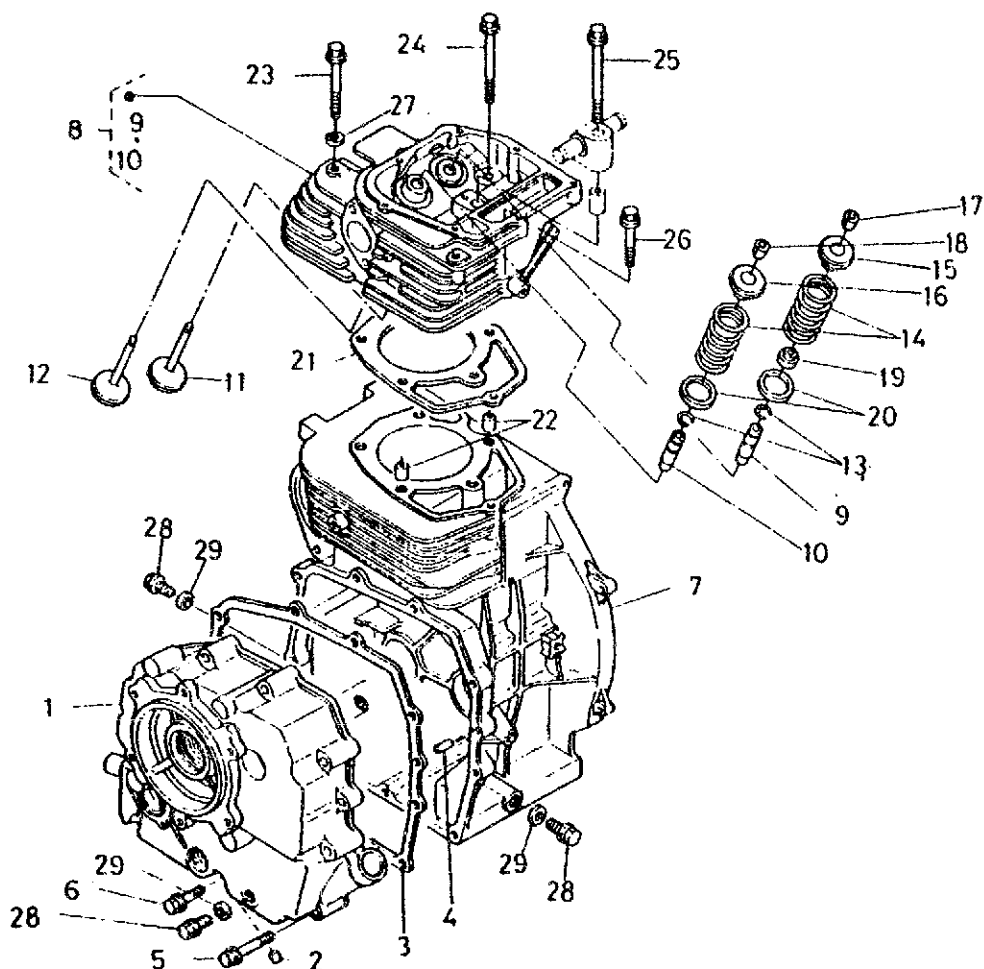
Stopper 10
Strap, Battery Holddown 22
Strap, Ground 22
Support, Fuel Tank 22
Support, Oil Gauge 12
Switch, Oil 12
Switch, Magnetic 18
Switch, Start/Stop 22
Switch, Stop 16
Switch, On/Off - Idler 22

Tank, Fuel 22
Tappet 7
Terminal Assembly 25
Terminal, Sumi 22
Tools 19
Tube, Breather 4
Ty-Wrap 21,22

Valve, Choke 17
Valve, Exhaust 3
Valve, Intake 3
Valve, Relief 12
Valve, Throttle 17
Voltmeter 22

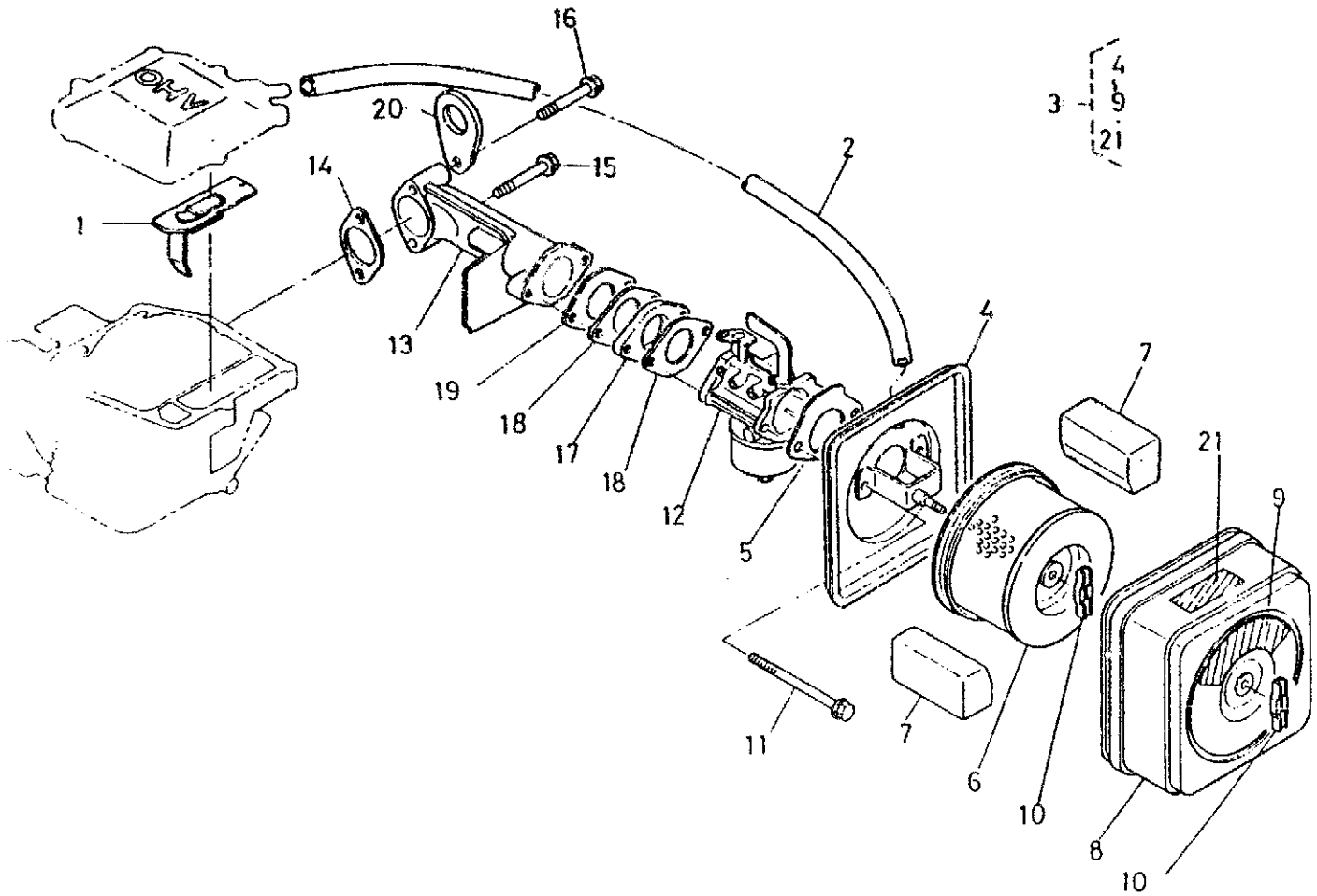
Watch, Oil 19
Weight, Fly 7
Yoke, Starter 18

Cylinder Block



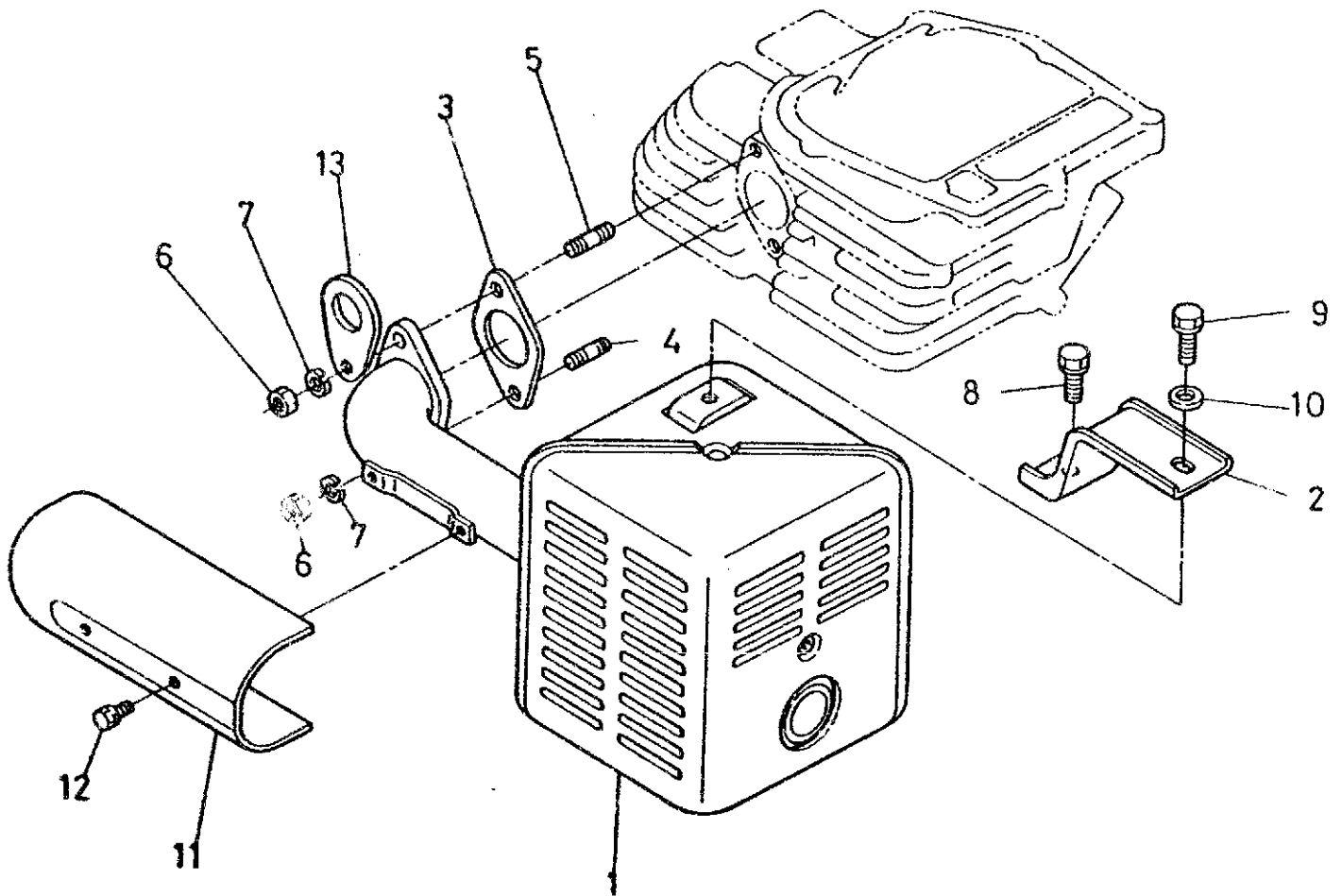
REF NO.	PART NO.	QTY USED	PART DESCRIPTION	REF NO.	PART NO.	QTY USED	PART DESCRIPTION
	100-2980	1	Replacement Engine	14	185-2599	2	Spring, Valve
	100-2957	1	Voltage Code AB	15	185-2601	1	Retainer, Spring - Intake
		1	Voltage Code EB	16	185-2600	1	Retainer, Spring - Exhaust
1	185-2709	1	Cover, Crankcase	17	185-2546	2	Collet, Spring - Valve
2	185-2963	1	Plug, Pin	18	185-2077	2	Collet, Spring - Valve
3	185-2487	1	Gasket, Crankcase	19	185-2598	1	Seal, Stem - Valve
4	185-2582	2	Pin, Straight	20	185-2602	2	Spring, Valve - Washer
5	185-2668	8	Bolt	21	185-2482	1	Gasket, Head - Cylinder
6	185-3732	1	Bolt	22	185-2671	2	Pipe, Knock
7	NFS	1	Block, Cylinder	23	185-2831	2	Bolt, Head - Cylinder
8	185-2591	1	Head, Cylinder	24	185-2592	2	Bolt, Head - Cylinder
9	185-2604	1	Guide, Valve - Intake	25	185-2593	1	Bolt, Head - Cylinder
10	185-2605	1	Guide, Valve - Exhaust	26	185-2574	1	Bolt, Flange
11	185-2596	1	Valve, Intake	27	185-2594	2	Washer, Head Bolt
12	185-2597	1	Valve, Exhaust	28	185-3656	3	Plug, Drain
13	185-2603	2	Cir Clip	29	185-2579	3	Gasket

Breather



REF NO.	PART NO.	QTY USED	PART DESCRIPTION	REF NO.	PART NO.	QTY USED	PART DESCRIPTION
1	185-2676	1	Breather	12	185-2492	1	Carburetor
2	185-2488	1	Tube, Breather	13	185-2702	1	Elbow, Intake
3	185-2797	1	Cleaner, Air	14	185-2649	1	Gasket, Elbow - Intake
4	185-2678	1	Body, Cleaner - Air	15	185-2567	1	Bolt
5	185-2680	1	Gasket, Cleaner - Air	16	185-2568	1	Bolt
6	185-2489	1	Element	17	185-2648	1	Insulator
7	185-2490	1	Filter, Sub	18	185-2650	2	Gasket, Insulator
8	185-2798	1	Cover, Cleaner - Air	19	185-2703	1	Gasket, Insulator
9	185-2800	1	Label, Cleaner - Air	20	185-2675	1	Hook, Engine
10	185-2679	2	Nut, Cleaner - Air	21	185-2590	1	Label, Choke
11	185-2575	2	Bolt, Flange				

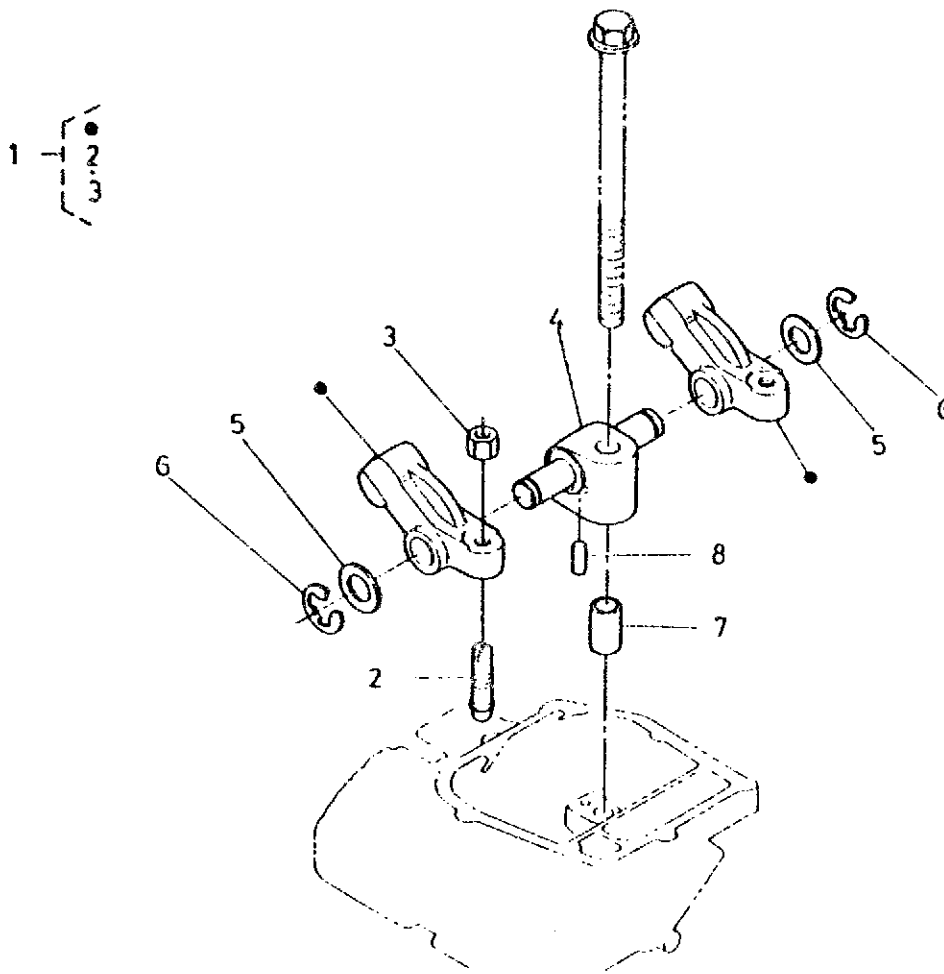
Muffler



REF NO.	PART NO.	QTY USED	PART DESCRIPTION	REF NO.	PART NO.	QTY USED	PART DESCRIPTION
1	185-2681	1	Muffler	8	185-3009	1	Bolt
2	185-2683	1	Stay, Muffler	9	185-2401	1	Bolt
3	185-2595	1	Gasket, Muffler	10	185-2777	1	Washer, Plain
4	185-2571	1	Stud	11	185-2682	1	Cover, Flange - Muffler
5	185-4146	1	Stud	12	185-3013	2	Bolt
6	185-2366	2	Nut	13	185-2675	1	Hook, Engine
7	185-2381	2	Washer, Spring				

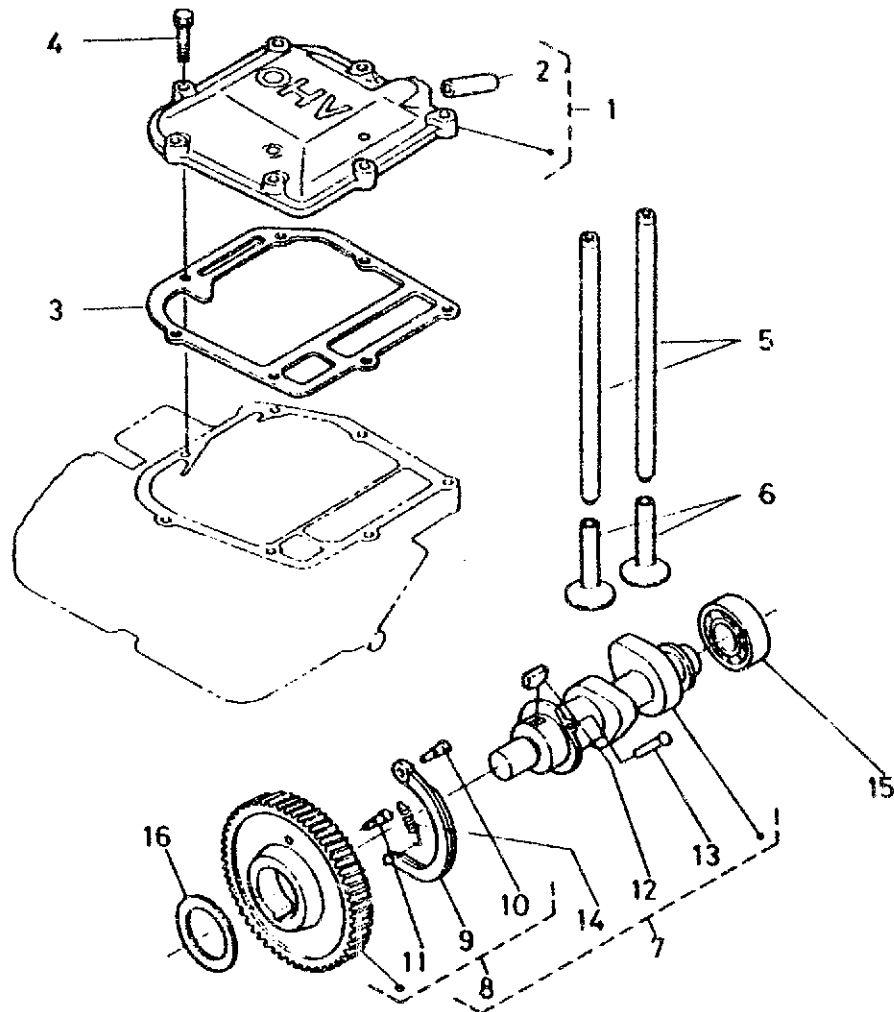


Rocker Arm



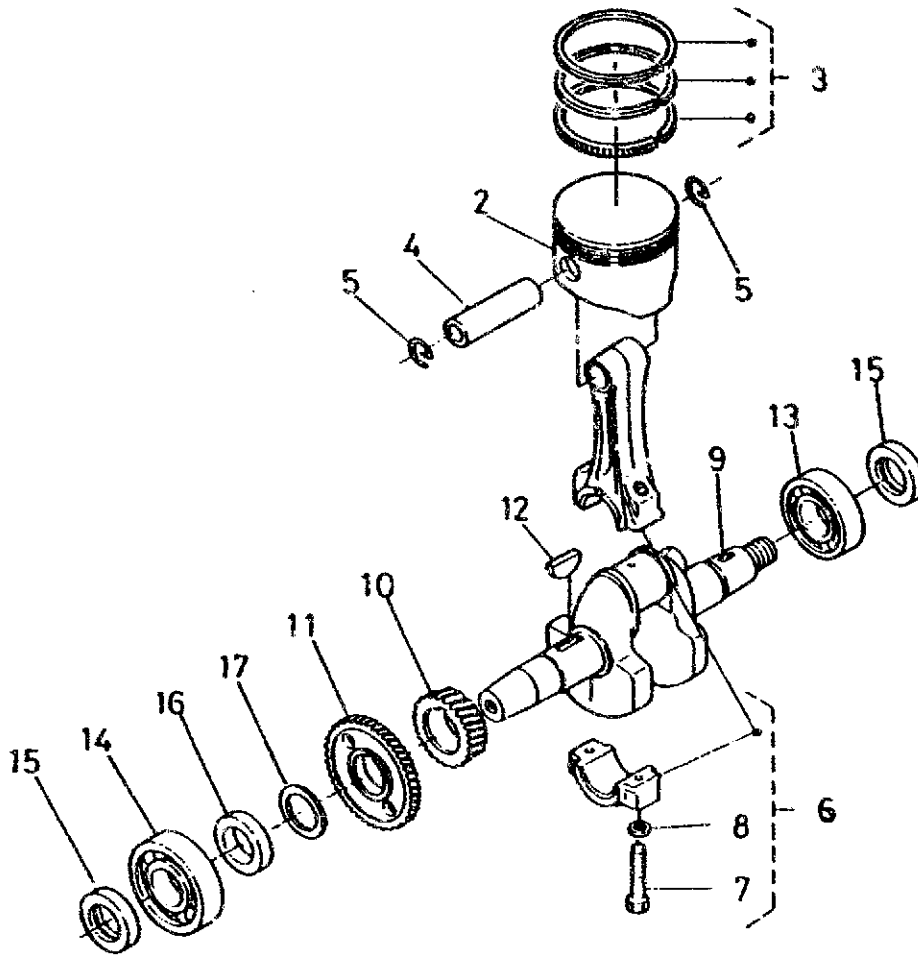
REF NO.	PART NO.	QTY USED	PART DESCRIPTION	REF NO.	PART NO.	QTY USED	PART DESCRIPTION
1	185-2606	2	Arm, Rocker	5	185-2609	2	Washer, Arm - Rocker
2	185-2608	2	Screw, Adjusting	6	185-2577	2	Cir-Clip, External
3	185-2408	2	Nut	7	185-2671	1	Pipe, Knock
4	185-2607	1	Shaft, Arm - Rocker	8	185-2581	1	Pin, Straight

Camshaft



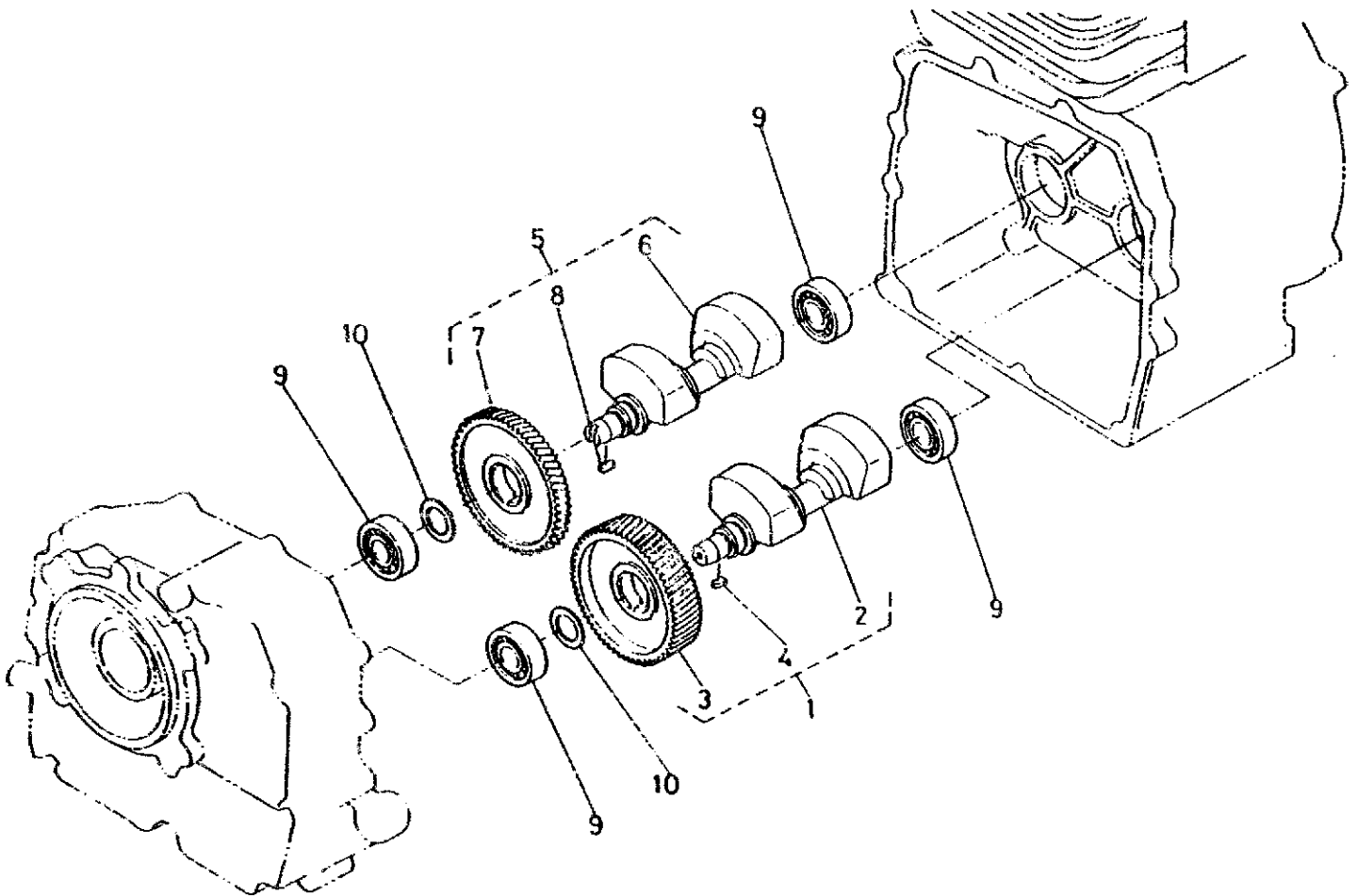
REF NO.	PART NO.	QTY USED	PART DESCRIPTION	REF NO.	PART NO.	QTY USED	PART DESCRIPTION
1	185-2684	1	Cover, Head - Cylinder	12	185-2672	1	Key, Woodruff
2	185-2677	1	Joint, Tube - Breather	13	185-2723	1	Pin, Decompression
3	185-2491	1	Gasket, Head - Cover	14	185-2724	1	Spring, Decompression
4	185-5159	7	Bolt	15	185-2584	1	Bearing, Ball
5	185-2610	2	Rod, Push	16			Shim
6	185-2611	2	Tappet		185-2612	1	0.50mm
7	185-2714	1	Camshaft Assembly		185-2613	1	0.60mm
8	185-2715	1	Gear, Camshaft		185-2614	1	0.80mm
9	185-2725	1	Weight, Fly		185-2615	1	0.90mm
10	185-2824	1	Shaft, Weight - Fly		185-2616	1	1.00mm
11	185-2730	1	Pin, Spring - Decompression		185-2617	1	1.20mm

Crankshaft



REF NO.	PART NO.	QTY USED	PART DESCRIPTION	REF NO.	PART NO.	QTY USED	PART DESCRIPTION
2	185-2484	1	Piston	9	185-2510	1	Crankshaft
	185-2624	1	Standard	10	185-2631	1	Gear, Crankshaft
	185-2625	1	0.25 O.S.	11	185-2634	1	Gear, Balancer
3	185-2483	1	Ring, Piston	12	185-2673	1	Key, Woodruff
	185-2618	1	Standard	13	185-2585	1	Bearing, Ball
	185-2619	1	0.25 O.S.	14	185-3095	1	Bearing, Ball
4	185-2620	1	Pin, Piston	15	185-3752	2	Seal, Oil
5	185-2621	2	Clip, Pin - Piston	16	185-2710	1	Collar, Crankshaft
6	185-2485	1	Rod, Connecting	17			Shim
	185-2626	1	Standard		185-3449	1	0.20mm
	185-2627	1	0.25 U.S.		185-3446	1	0.30mm
7	185-3759	2	Bolt, Rod - Connecting		185-3447	1	0.40mm
8	185-2628	2	Washer, Bolt - Rod		185-3448	1	0.50mm
					185-2629	1	0.60mm
					185-2630	1	0.70mm

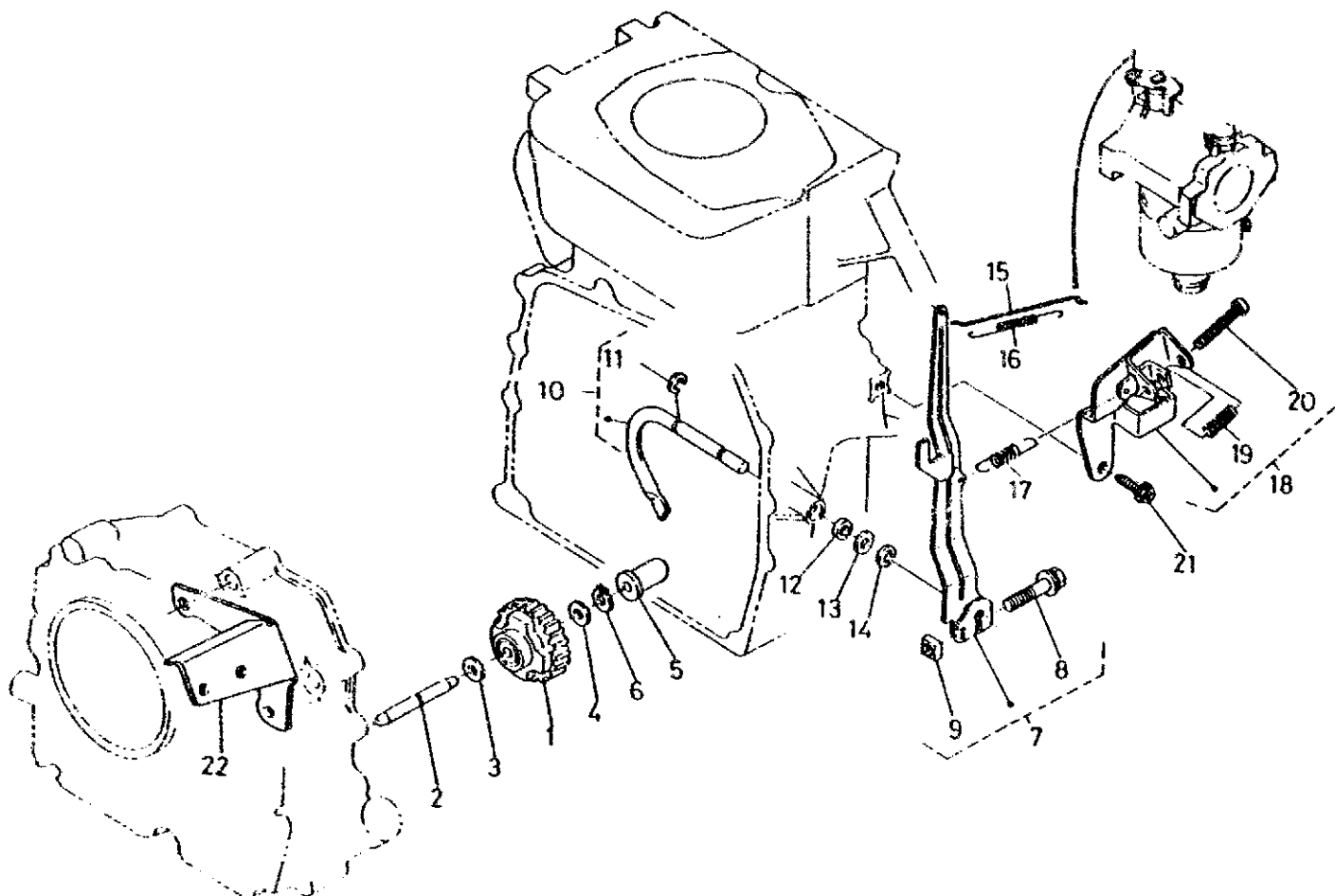
Balancer Shaft



REF NO.	PART NO.	QTY USED	PART DESCRIPTION	REF NO.	PART NO.	QTY USED	PART DESCRIPTION
1	185-2711	1	Balancer	10		2	Shim, Balancer
2	185-2633	1	Shaft, Balancer		185-2637	2	0.50mm
3	185-2635	1	Gear, Balancer		185-2638	2	0.60mm
4	185-2950	1	Key, Feather		185-2639	2	0.70mm
5	185-2712	1	Balancer		185-2640	2	0.80mm
6	185-2632	1	Shaft, Balancer		185-2641	2	0.90mm
7	185-2636	1	Gear, Balancer		185-2642	2	1.00mm
8	185-2950	1	Key, Feather		185-2643	2	1.20mm
9	185-2583	4	Bearing, Ball				



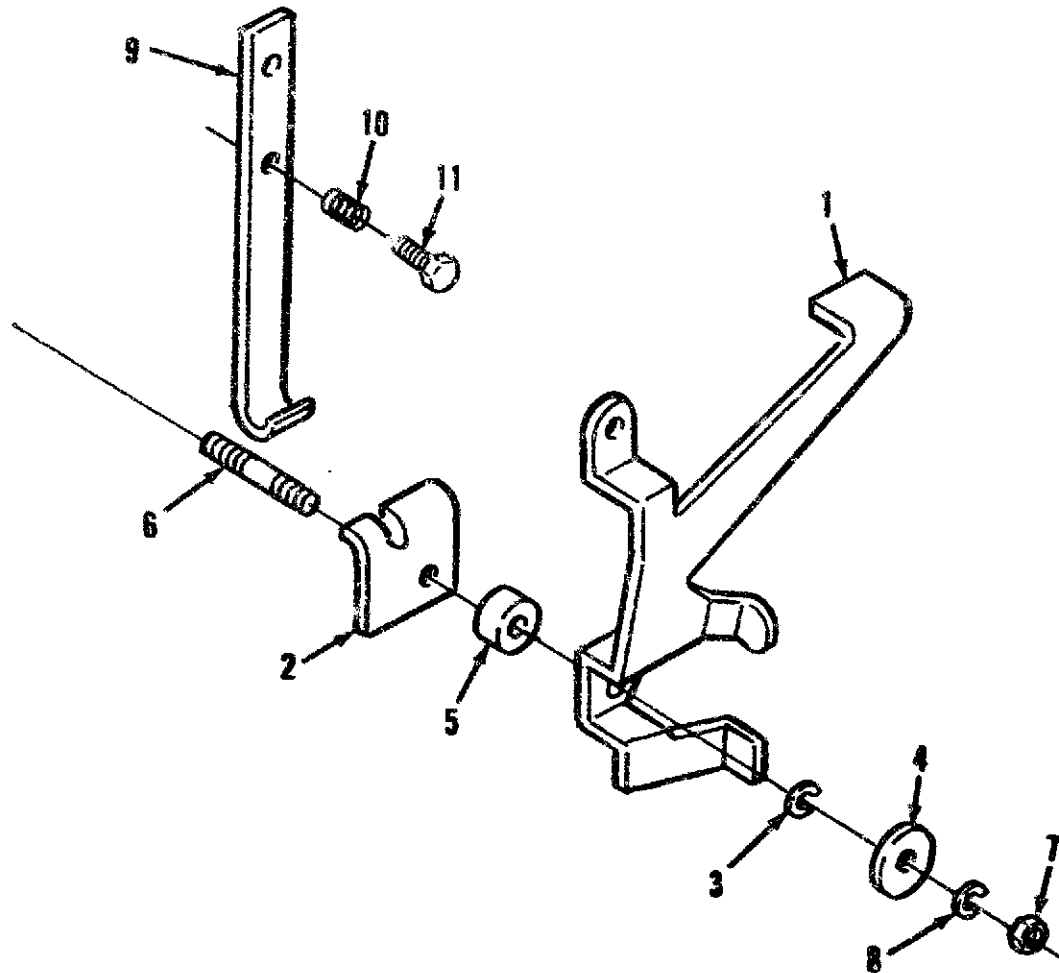
Governor Lever



REF NO.	PART NO.	QTY USED	PART DESCRIPTION	REF NO.	PART NO.	QTY USED	PART DESCRIPTION
1	185-2651	1	Gear, Governor	12	185-2729	1	Seal, Oil
2	185-2652	1	Shaft, Governor	13	185-2777	1	Washer, Plain
3	185-3484	1	Washer	14	185-3074	1	Cir-Clip, External
4	185-3485	1	Washer	15	185-2704	1	Rod, Governor
5	185-2653	1	Sleeve, Governor	16	185-2705	1	Spring, Rod
6	185-3487	1	Stopper	17	185-2655	1	Spring, Governor
7	185-2785	1	Lever, Governor	18	185-2588	1	*Controller
8	185-2569	1	Bolt	19	185-2888	1	*Spring
9	185-2669	1	Nut	20	185-4987	1	*Screw, Pan Head
10	185-2654	1	Shaft, Lever - Governor	21	185-3157	1	*Bolt
11	185-3074	1	Cir-Clip, External	22	185-2786	1	Stay, Solenoid

* - Used on Specs 34879, 38018 Only.
 See Separate Page for Speed Control Plate
 Used on Specs 1, 14000.

Speed Control Plate

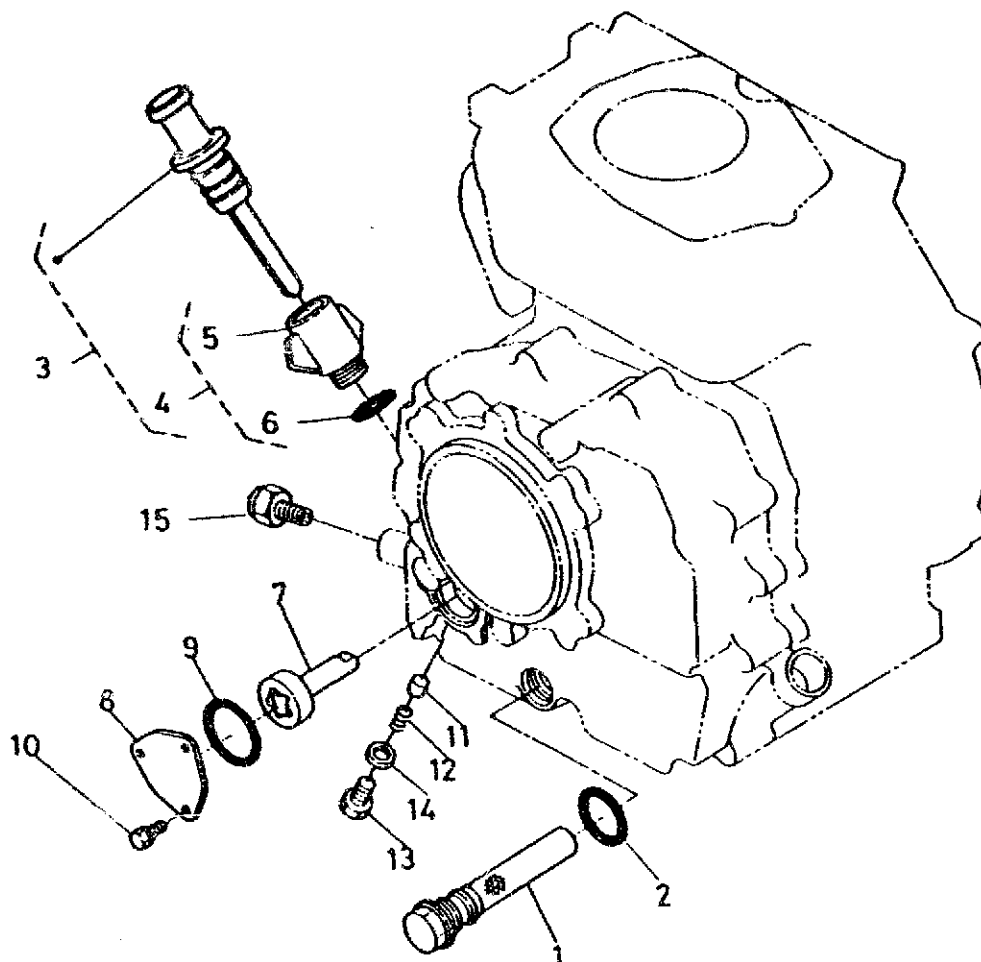


REF NO.	PART NO.	QTY USED	PART DESCRIPTION	REF NO.	PART NO.	QTY USED	PART DESCRIPTION
1	185-5256	1	*Lever, Control - Speed	7	185-3026	1	*Nut
2	185-5257	1	*Plate	8	185-2381	1	*Washer, Spring
3	185-5262	1	*Washer, Spring	9	185-5258	1	*Plate, Control
4	185-3785	1	*Plate, Pressure	10	185-3496	2	Spring
5	185-3783	1	*Collar	11	185-3387	2	Screw
6	185-3801	1	*Stud				

* Used on Spec 1 and 14000 Only.

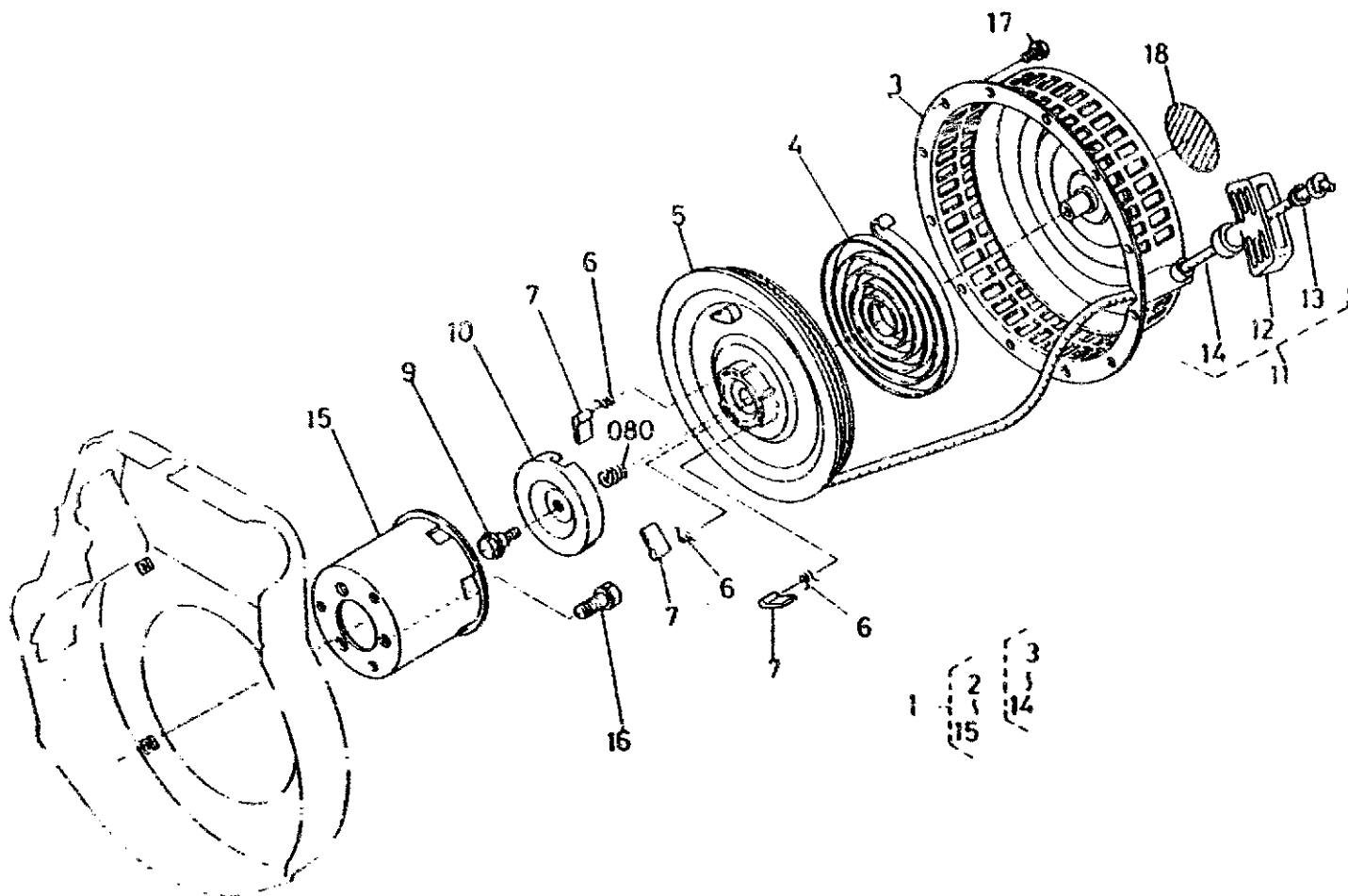


Oil Filter



REF NO.	PART NO.	QTY USED	PART DESCRIPTION	REF NO.	PART NO.	QTY USED	PART DESCRIPTION
1	185-2542	1	Filter, Oil	9	185-2644	1	O Ring
2	185-2580	1	O Ring	10	185-2570	3	Bolt
3	185-2686	1	Gauge, Oil (Full)	11	185-2947	1	Valve, Relief
4	185-2646	1	Support, Gauge - Oil	12	185-2948	1	Spring
5	185-2645	1	Support, Gauge - Oil	13	185-2949	1	Bolt, Retainer - Spring
6	185-3079	1	O Ring	14	185-2578	1	Gasket
7	185-2486	1	Rotor, Pump - Oil	15	185-2964	1	Switch, Oil
8	185-2685	1	Cover, Pump - Oil				

Recoil Starter

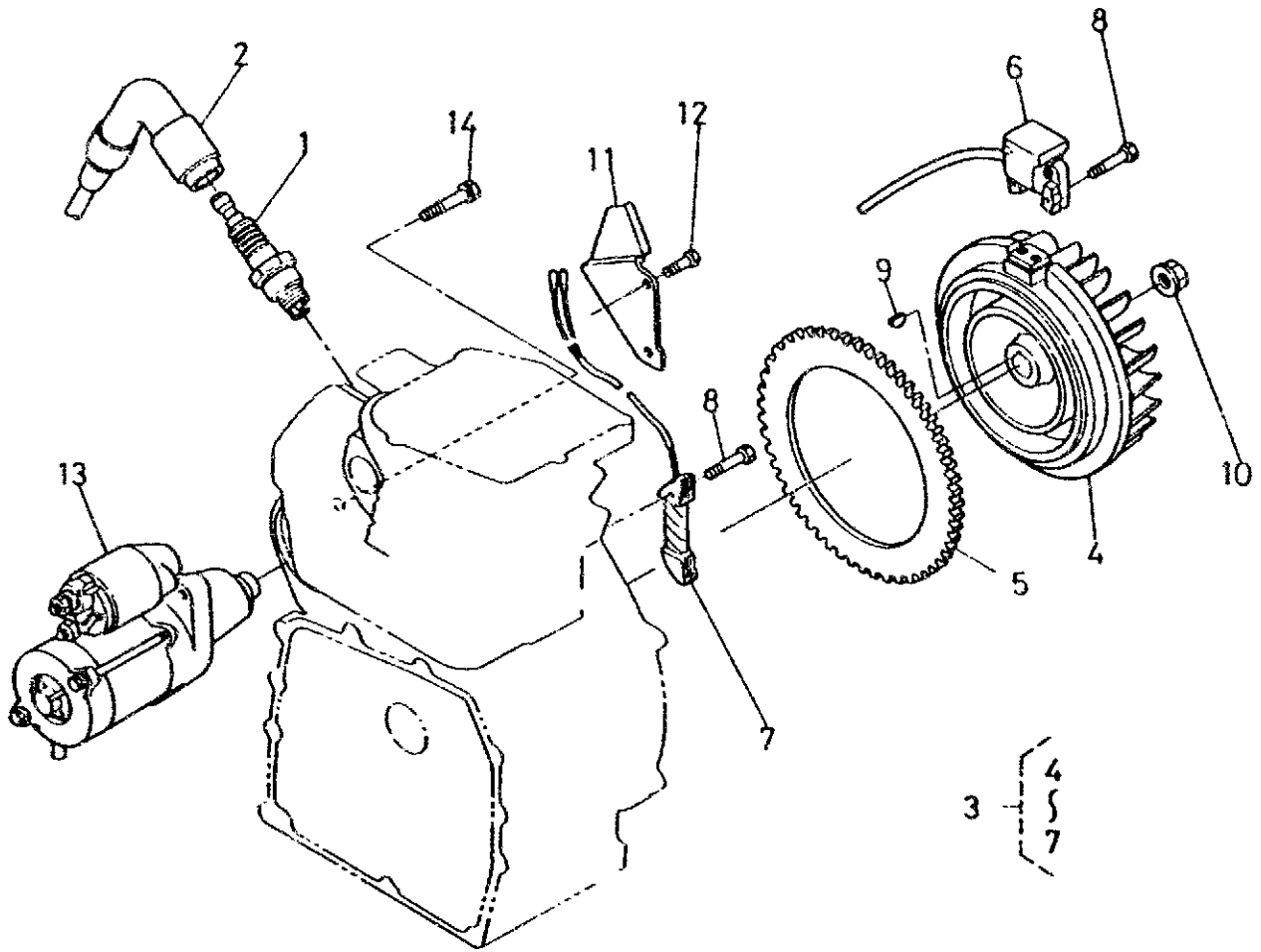


REF NO.	PART NO.	QTY USED	PART DESCRIPTION	REF NO.	PART NO.	QTY USED	PART DESCRIPTION
1	185-2494	1	Starter, Recoil	10	185-2767	1	Retainer
2	185-2716	1	Starter, Recoil Sub.	11	185-2495	1	Handle
3	185-2717	1	Case	12	185-2499	1	Handle
4	185-2719	1	Spring	13	185-2721	1	Protector
5	185-2718	1	Reel	14	185-2720	1	Rope, Starter
6	185-2942	3	Spring, Dog	15	185-2722	1	Pulley, Start
7	185-2889	3	Ratchet	16	185-2563	3	Bolt
8	185-2768	1	Spring, Brake	17	185-3013	4	Bolt
9	185-2943	1	Screw, Center	18	185-4470	1	Label, Electronic

Magneto
(Spec 1)

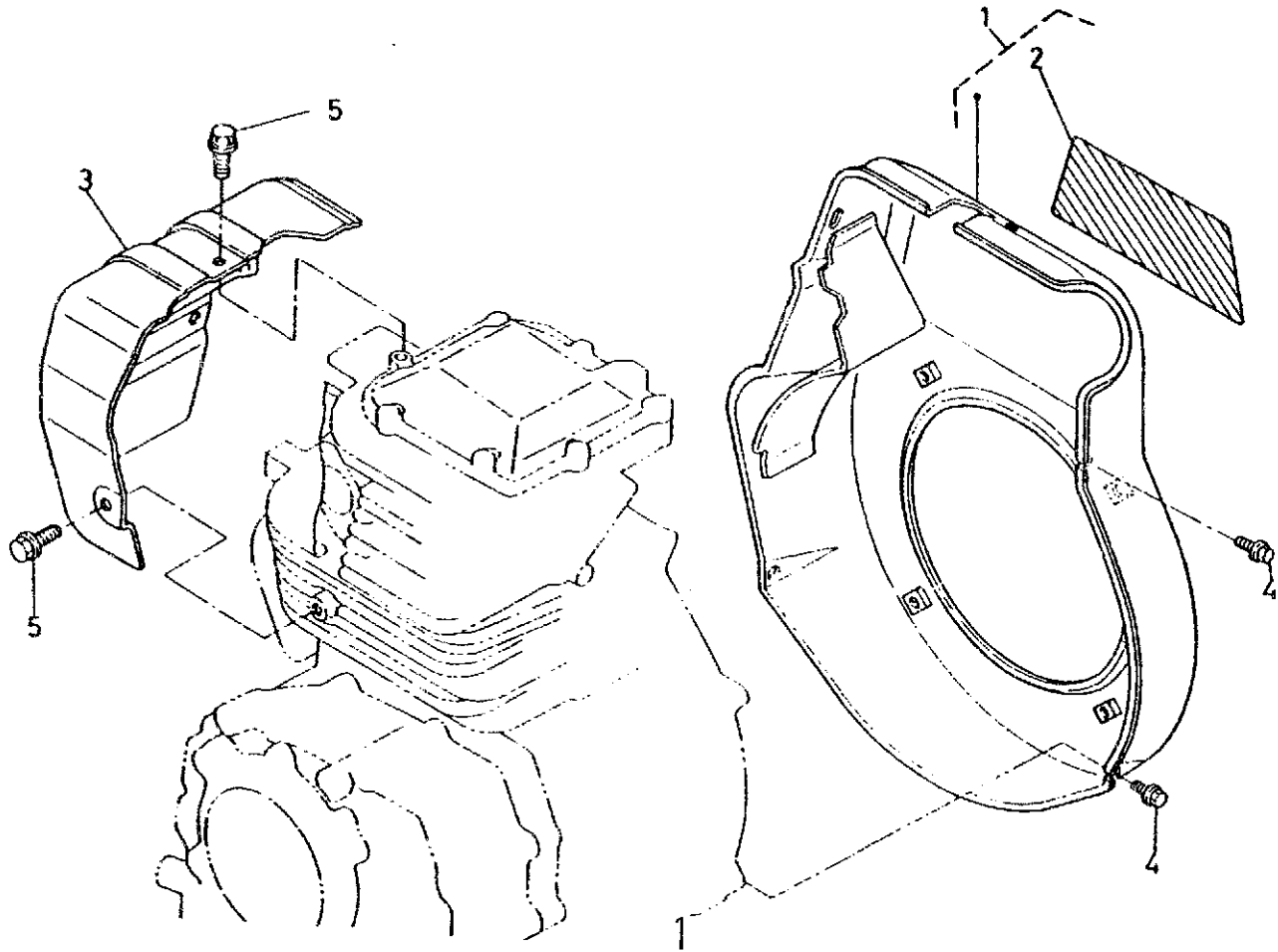
REF NO.	PART NO.	QTY USED	PART DESCRIPTION	REF NO.	PART NO.	QTY USED	PART DESCRIPTION
1	185-2543	1	Plug, Spark	11	185-3691	1	Bolt
2	185-2926	1	Cap. Plug - Spark	12	185-2674	1	Key, Woodruff
3	185-5263	1	Rotor Assembly	13	185-2670	1	Nut, Flange
4	185-5264	1	Rotor, Complete				
5	185-5265	1	Rotor				
6	185-5266	1	Magneto				
7	185-5267	1	Holder, Magneto				
8	185-5268	1	Plate, Pole				
9	185-5269	1	Screw				
10	185-2511	1	Transistor Magnet Unit				

Magneto (Spec 34879)



REF NO.	PART NO.	QTY USED	PART DESCRIPTION	REF NO.	PART NO.	QTY USED	PART DESCRIPTION
1	185-2543	1	Plug, Spark	8	185-3691	4	Bolt
2	185-2926	1	Cap, Plug, Spark	9	185-2674	1	Key, Woodruff
3	185-2799	1	Magneto	10	185-2670	1	Nut, Flange
4	185-2727	1	Rotor	11	185-2667	1	Clamp, Cord
5	185-2665	1	Gear, Ring	12	185-3692	1	Bolt
6	185-2511	1	T/S, Magnet Unit	13	185-2493	1	Starter, Cell
7	185-2666	1	Coil, Charger	14	185-2566	2	Bolt





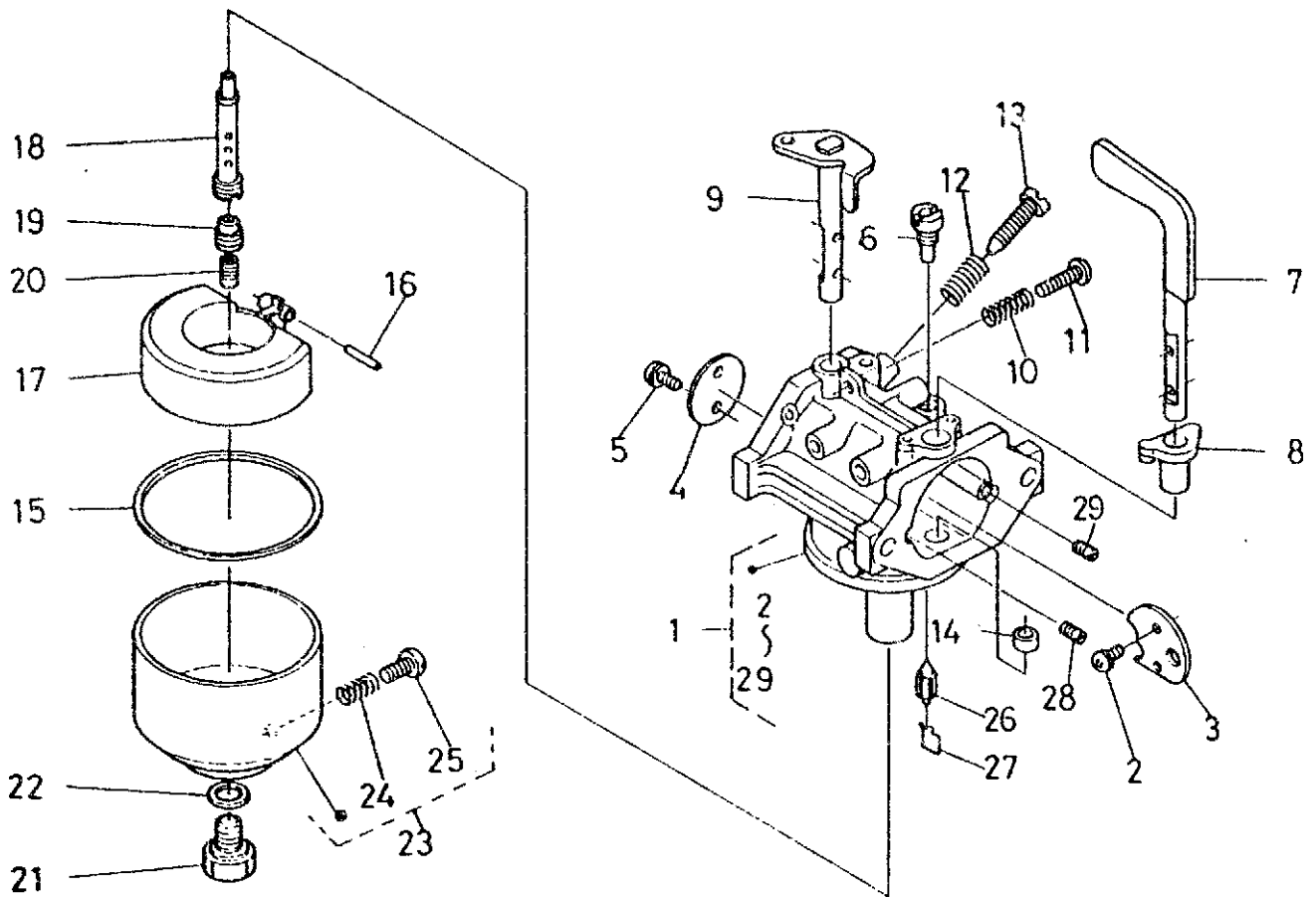
REF NO.	PART NO.	QTY USED	PART DESCRIPTION
1	185-2787	1	#Cover, Fan
2	185-4990	1	#Nameplate
3	185-2708	1	Cowling, Head - Cylinder
4	185-3503	6	#Bolt
5	185-4671	4	Bolt
6	185-5270	1	*Cover, Fan

REF NO.	PART NO.	QTY USED	PART DESCRIPTION
7	185-5274	1	*Switch, Stop
8	185-5275	1	*Decal, Cover - Fan
9	185-5276	1	*Bolt
10	185-2573	1	*Bolt, Flange

* Used on Specs 1, 14000 Only.

Used on Specs 34879, 38018 Only.

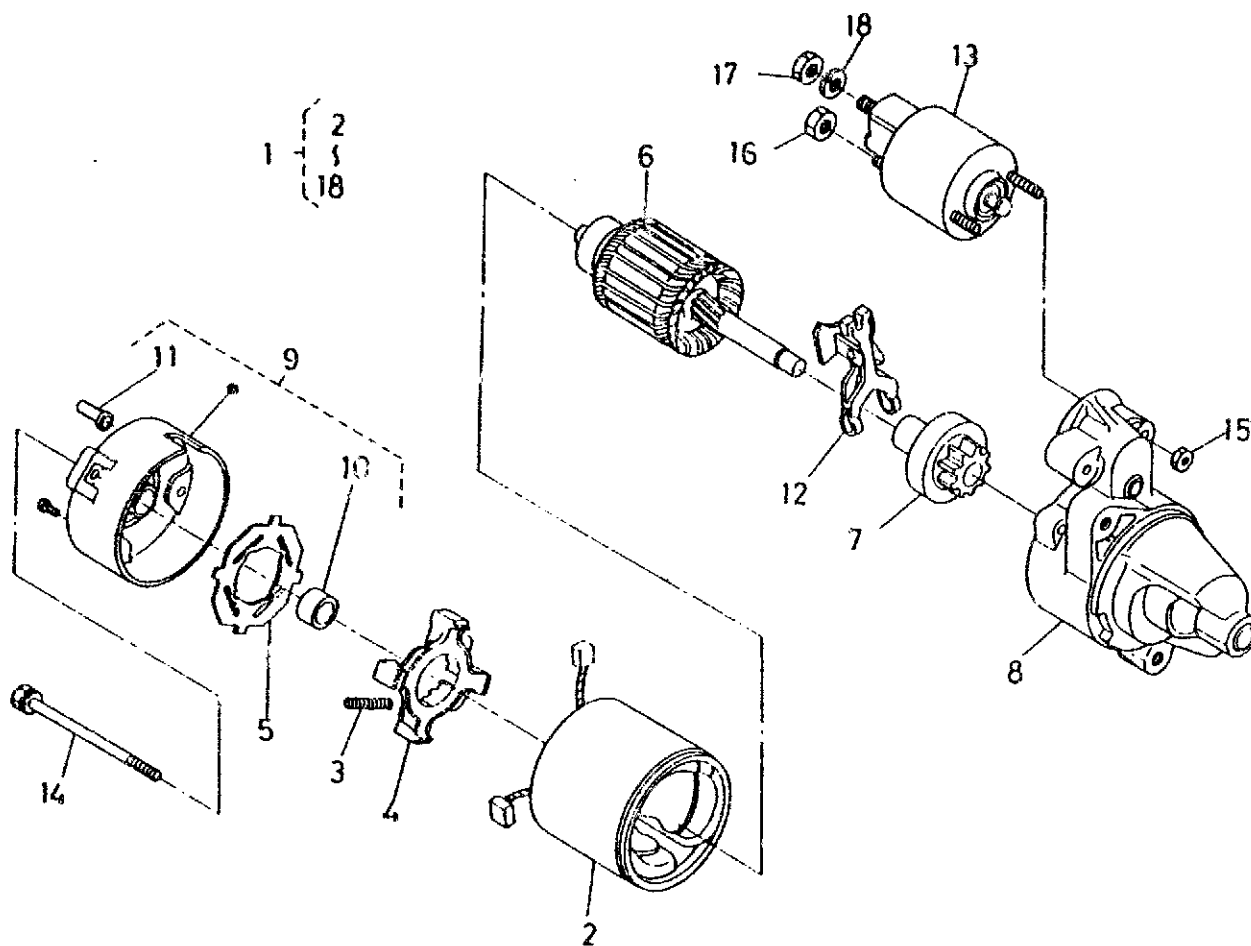
Carburetor



REF NO.	PART NO.	QTY USED	PART DESCRIPTION
1	185-2492	1	Carburetor
2	185-4559	1	Screw
3	185-2693	1	Valve, Choke
4	185-2692	1	Valve, Throttle
5	185-4558	2	Screw, Cross
6	185-2953	1	Pilot, Jet
7	185-2986	1	Lever, Choke
8	185-2694	1	Ring
9	185-2691	1	Shaft, Throttle
10	185-2941	1	Spring
11	185-2589	1	Screw, Idle
12	185-2700	1	Spring
13	185-2690	1	Adjuster
14	185-4756	1	Ring
15	185-5178	1	Packing, Chamber - Float
16	185-2699	1	Pin

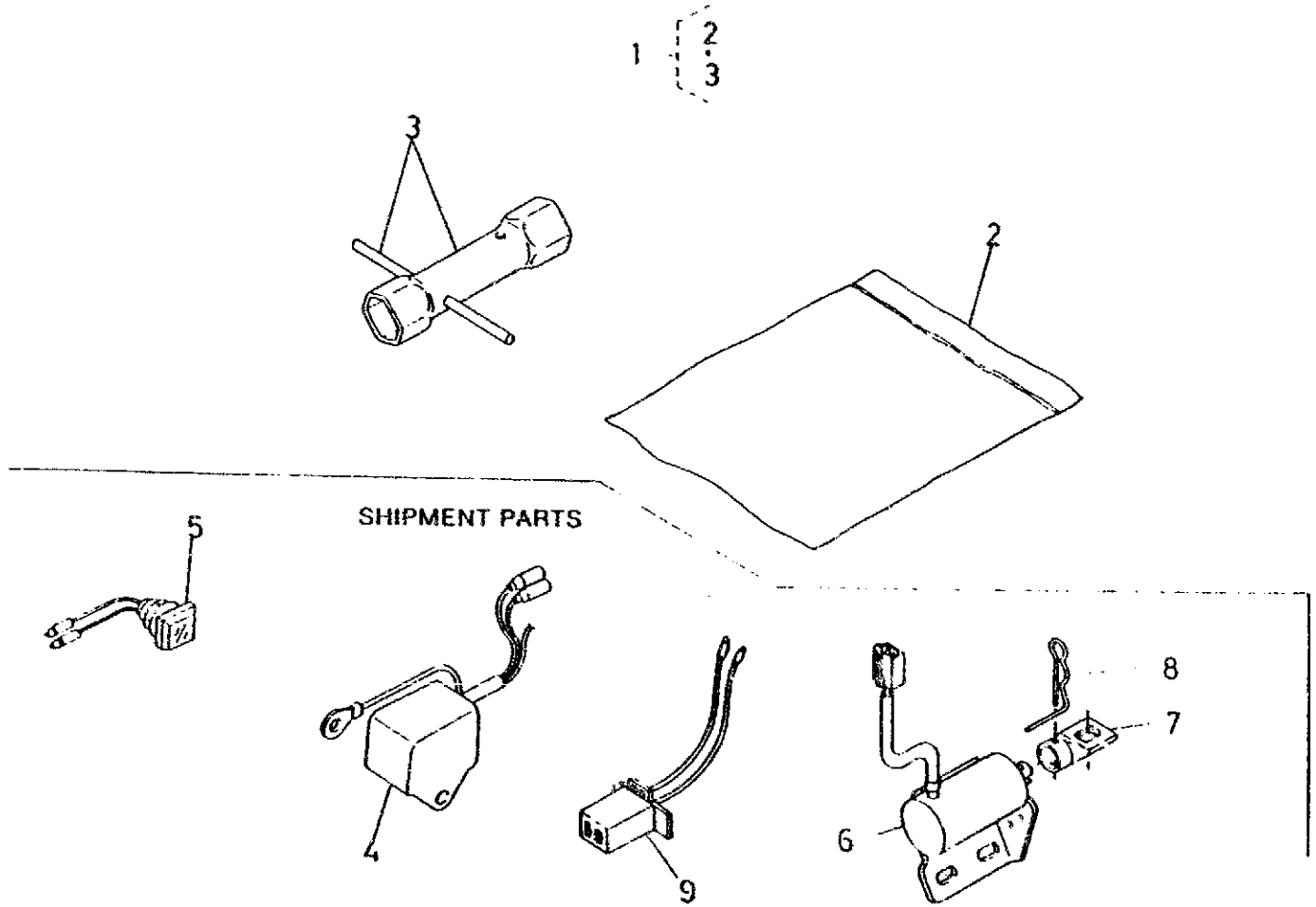
REF NO.	PART NO.	QTY USED	PART DESCRIPTION
17	185-2697	1	Float
18	185-2687	1	Nozzle, Main
19	185-2701	1	Holder, Jet
20	185-2695	1	Jet, Main Standard
	185-2972	1	Hi Altitude
21	185-4760	1	Bolt
22	185-2935	1	Washer
23	185-2696	1	Body, Float
24	185-3469	1	Spring
25	185-4564	1	Screw, Drain
26	185-2647	1	Needle
27	185-2698	1	Clip
28	185-2688	1	Jet, Air
29	185-2689	1	Jet, Air

Cell Starter



REF NO.	PART NO.	QTY USED	PART DESCRIPTION	REF NO.	PART NO.	QTY USED	PART DESCRIPTION
1	185-2493	1	Starter, Cell	10	185-2663	1	Bearing, Oil - Less
2	185-2659	1	Yoke, Starter	11	185-2965	1	Cover
3	185-2662	4	Spring, Brush	12	185-2656	1	Lever, Drive - Starter
4	185-2661	1	Holder, Brush	13	185-2658	1	Switch, Magnetic
5	185-2664	1	Insulator	14	185-2660	2	Bolt, Through
6	185-2657	1	Armature, Starter	15	185-2334	2	Nut
7	185-2713	1	Clutch, Sub	16	185-2669	1	Nut
8	185-2706	1	Housing, Starter	17	185-2367	1	Nut
9	185-2707	1	Frame, Commutator	18	185-2381	1	Washer, Spring

Tools



REF NO.	PART NO.	QTY USED	PART DESCRIPTION
1	185-2955	1	Bag Assembly, Tools
2	185-2754	1	Bag, Tools
3	185-2763	1	Box, Plug
4	185-2555	1	Watch, Oil
5	185-2551	1	Lamp, Oil

REF NO.	PART NO.	QTY USED	PART DESCRIPTION
6	185-2552	1	Solenoid
7	185-2553	1	Stay, Solenoid - Conrod
8	185-2554	1	Pin, Spring
9	185-2782	1	Harness, Wire



**Control
(5.0 STD - Spec 1)**

REF NO.	PART NO.	QTY USED	PART DESCRIPTION	REF NO.	PART NO.	QTY USED	PART DESCRIPTION
1	300-3831	1	Back. Box - Control	54	403-3152	1	Support. Tank - Fuel
2		1	Paint, Back - Control Box	55	327-0932	1	Paint, Support
3	300-3815	1	Base. Panel - Control	56	327-0919	1	Shut-Off, Fuel
4		1	Paint, Panel - Control	57	327-0917	1	Bolt, Hex (M8 x 60mm)
5	98-6404	1	Decal, Panel - Front	58	327-0918	1	Washer, Flat (M8)
6	327-0843	1	Lug, Ground	59	327-0882	1	Washer, Lock (5/16)
7	327-0846	1	Screw, Phillips (#10-24 x 1")	60	327-0881	8	Screw, Hex Hd (1/4-20 x
8	327-0911	2	Nut (#10-24)	61	327-0861	8	Nut (1/4-20)
9	327-0912	2	Washer, Lock (#10)	62		1	Grommet, Line - Fuel
10	327-0847	19	Screw, Phillips - Black Zinc (#8-32 x 1/2")				Blank Option
11	327-0849	10	Washer, Lock - Black Zinc (#8-32)	63	300-3829	1	Panel, Blank
12	327-0850	8	Nut (#8-32)	64	327-0847	6	Screw, Phillips - Black Zinc (8-32 x 1/2")
13	327-0851	2	Bushing	65	327-0849	6	Washer, Lock - Black Zinc (#8-32)
14	327-0892	1	Clamp, Cable - .25 ID	66	517-0297	6	Plugs, Hole (Breaker)
15	327-0893	1	Clamp, Cable - .375 ID				2Y + 1B Option
16	403-3150	1	Cable, Roll	67	300-3828	1	Panel, Ind
19	327-0889	1	Line, Fuel - 3/8"	68	327-0847	6	Screw, Phillips - Black Zinc (#8-32 x 1/2")
20	327-0889	1	Line, Fuel - 3"				Washer, Lock - Black 2
21	327-0860	1	Clip, Line - Fuel	69	327-0849	6	(#8-32)
22		1	Filter, Fuel - In-line	70	323-1518	1	Receptacle, Ind220
23	337-2462	1	Strap, Ground	71		4	Screw, Phillips - Black Zinc (M4 x 20mm)
24	327-0887	1	Screw, Hex Hd (5/16-18 x 3/4")	72		4	Nut (M4)
25	327-0877	1	Nut, Chrome (5/16-18)	73	323-1521	2	Receptacle, Ind110
26	403-3073	1	Channel, Support - Engine	74		8	Screw, Phillips - Black Zinc (M4 x 20mm)
27	327-0936	1	Paint, Channel - Engine	75		6	Nut (M4)
28	403-3074	1	Plate, Support - Generator	76	320-0540	3	Breaker, Circuit - 15
29	327-0949	1	Paint, Plate - Gen Support	77	517-0297	3	Plugs, Hole - Breaker
30		4	Bumper - with Stud				3Y Option
31	327-0877	8	Nut, Chrome (5/16-18)	78	300-3828	1	Panel, Ind
32	327-0878	4	Screw, Hex Hd - Engine Bolt (3/8-16 x 1-1/4")	79	327-0847	6	Screw, Phillips - Black Zinc (#8-32 x 1/2")
33	327-0879	4	Washer, Lock - Engine Bolt (3/8-16)	80	327-0849	6	Washer, Lock - Black 2 (#8-32)
34	327-0885	2	Ty-Wrap	81	323-1521	3	Receptacle, Ind110
36	327-0842	1	Bag, Vinyl - Clear	82		12	Screw, Phillips - Black Zinc (M4 x 20mm)
				83		12	Nut (M4)
40	98-6185-06	1	Decal, 5000	84	320-0540	3	Breaker, Circuit - 15
41	98-6190	1	Decal, "Warning Exhaust Gas & Hot Exhaust Pipe"	85	517-0297	3	Plugs, Hole - Breaker
42	98-6191	1	Decal, "Warning Gasoline Vapors"	86	300-3827	1	Panel, European
43	98-6192	1	Decal, "Warning Hazardous Voltage"	87	327-0847	6	Screw, Phillips - Black Zinc (#8-32 x 1/2")
44	98-6074	1	Decal, "Warning General"	88	327-0849	6	Washer, Lock - Black 2 (#8-32)
45	98-6277	1	Decal, "Do Not Overfill"	89	323-1516	1	Receptacle, Ger
46	98-6370	1	Label, On/Off - Fuel	90		4	Screw, Phillips - Black Zinc (M3 x 20mm)
47	327-0884	1	Decal, "Oil Drained"	91		4	Nut (M3)
48	98-6408	1	Decal, Earth	92	323-1518	2	Receptacle, Ind 220
49	155-2522	1	Muffler, with Arrestor	93		8	Screw, Phillips - Black Zinc (M4 x 20mm)
50	134-4940	1	Shield, Heat	94		8	Nut (M4)
51	327-0934	1	Paint, Shield - Heat	95	320-0540	6	Breaker, Circuit - 15
52	403-3110	1	Support, Tank - Fuel				
53	327-0931	1	Paint, Support				

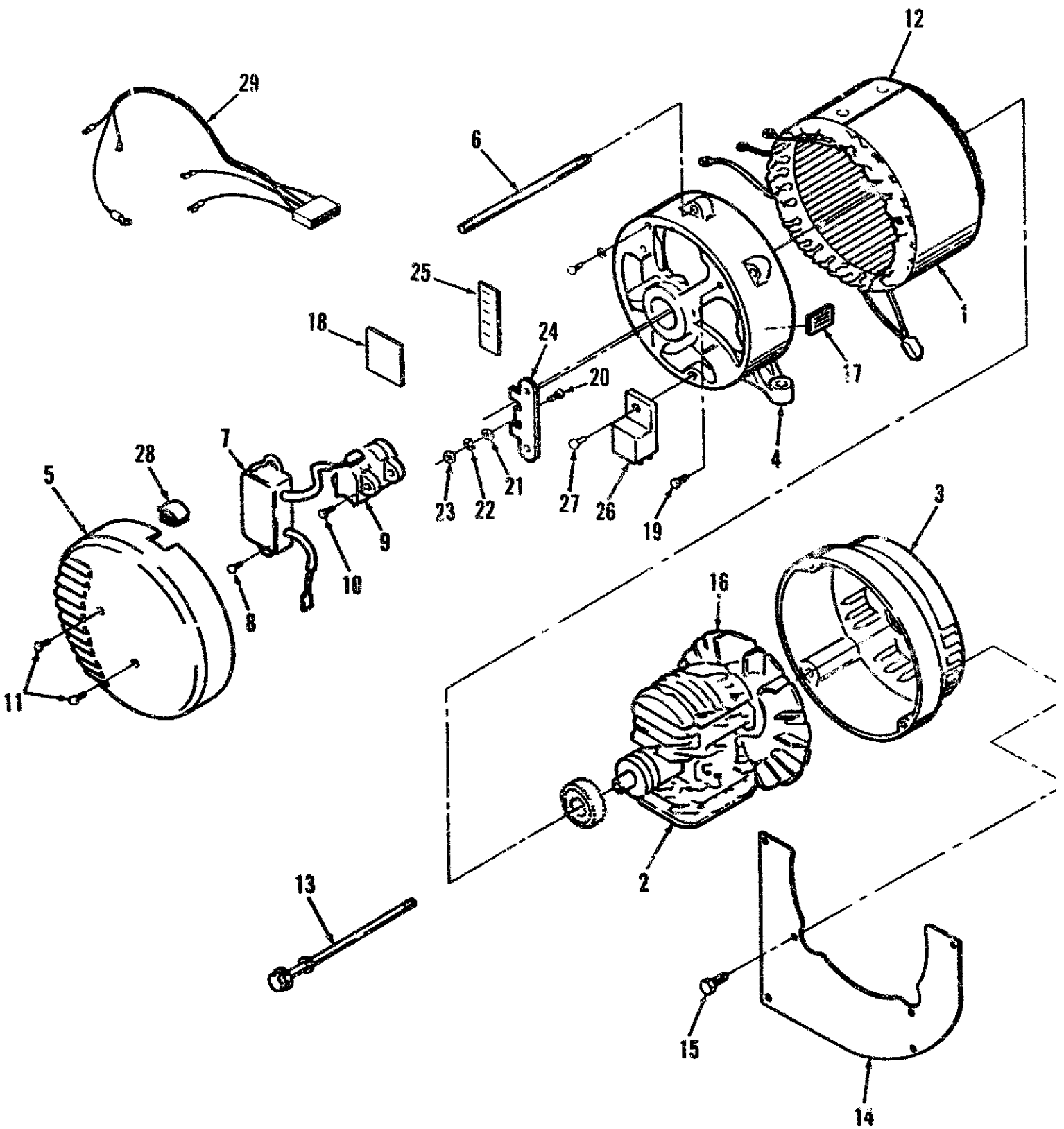
Control
(5.0 PRO - Spec 34879)

REF NO.	PART NO.	QTY USED	PART DESCRIPTION	REF NO.	PART NO.	QTY USED	PART DESCRIPTION
1	300-3741	1	Back. Box - Control	51	327-0887	1	Screw, Hex Hd (5/16-18 x 3/4")
2	327-0928	1	Paint. Back - Control Panel	52	327-0877	1	Nut, Chrome (5/16-18)
3	300-3817	1	Base. Panel - Control	53	327-0872	1	Rectifier
4		1	Paint. Panel - Control	54	403-3073	1	Channel, Support - Engine
5	98-6407	1	Decal. Panel - Front	55	327-0936	1	Paint. Channel - Engine
6	300-3818	1	Panel. Bracket - Control	56	403-3074	1	Plate, Support - Generator
7		1	Paint. Bracket - Control	57	327-0949	1	Paint. Plate - Gen Support
8	327-0865	1	Switch, On/Off - Idler	58	327-0875	-	Carton
9	327-0871	1	Switch, Start/Stop - DPST	59	327-0876	-	Pad, Top
10	327-0857	1	Voltmeter, 0-300VAC	60		4	Bumper - with Stud
11	327-0858	1	Receptacle, 12VDC	61	327-0877	8	Nut, Chrome (5/16-18)
12	327-0901	2	Screw (M3 x 8mm)	62	327-0924	4	Screw, Hex Hd - Engine Bolt (3/8-16 x 1-1/4")
13	327-0902	2	Washer, Lock (M3)	63	327-0879	4	Washer, Lock - Engine Bolt (3/8-16)
14	320-0540	1	Breaker, Circuit - 250V, 15A	64	327-0837	1	Cable, Battery
15	327-0843	1	Lug, Ground	65	327-0838	1	Clip, Battery - Red
16	327-0846	1	Screw, Phillips (#10-24 x 1")	66	327-0839	1	Clip, Battery - Black
17	327-0911	2	Nut (#10-24)	67	327-0885	3	Ty-Wrap
18	327-0912	2	Washer, Lock (#10)	68	327-0840	1	Plug, 12VDC
19	327-0847	18	Screw, Phillips - Black Zinc (#8-32 x 1/2")	69	327-0913	16	Staple
20	327-0849	10	Washer, Lock - Black Zinc (#8-32)	70	327-0842	1	Bag, Vinyl - Clear
21	327-0850	6	Nut (#8-32)	74			Decal
22	327-0851	2	Bushing		98-6189-01	1	PRO5000E
23	327-0892	1	Clamp, Cable - .25 ID		98-6189-03	1	PRO5000
24	327-0893	1	Clamp, Cable - .375 ID	75	98-6190	1	Decal, "Warning Exhaust Gas & Hot Exhaust Pipe"
25	327-0891	1	Module, Idler	76	98-6191	1	Decal, "Warning Gasoline Vapors"
26	327-0867	1	Spacer, Idler	77	98-6192	1	Decal, "Warning Hazardous Voltage"
27	327-0853	2	Screw, Phillips (M5 x 30mm)	78	98-6074	1	Decal, "Warning General"
28	327-0854	2	Nut (M5)	79	327-0884	1	Decal, "Oil Drained"
29	327-0855	2	Washer, Extruded (M5)	80	98-5592	1	Tag, Caution - Disconnect -
30	327-0896	1	Connect, Sumitomo - Idler	81	98-6408	1	Decal, Earth
31	327-0697	3	Terminal, Sumi 2197	82	327-0869	1	Strap, Holddown - Battery
32	327-0894	2	Connect, Sumi - Solenoid	83	327-0914	1	Cable, Battery - Red (24")
33	327-0895	4	Terminal, Sumi 2195	85	327-0899	2	Screw, Hex Hd (M6 x 12mm)
34	327-0873	1	Wiring Harness & Comp.	86	327-0900	2	Washer, Lock (M6)
35	327-0922	1	Adapter Assembly, Solenoid	87	155-2522	1	Muffler, with Arrestor
37	403-3068	1	Cage, Roll	88	327-0917	1	Bolt, Hex (M8 x 60mm)
38	327-0925	1	Paint. Cage - Roll	89	327-0918	1	Washer, Flat (M8)
39	159-1229	1	Tank, Fuel	90	327-0882	1	Washer, Lock (5/16)
40	327-0923	4	Bolt, U				Blank Option
41	327-0910	1	Cap, Gas - Gauged	91	300-3829	1	Panel, Blank
42	327-0859	40	Line, Fuel - 3/8"	92	327-0847	6	Screw, Phillips - Black Zinc (8-32 x 1/2")
43	327-0860	2	Clip, Line - Fuel	93	327-0849	6	Washer, Lock - Black Zinc (#8-32)
44	403-3142	1	Support, Tank - Fuel	94	517-0297	6	Plugs, Hole (Breaker)
45	327-0930	1	Paint. Support				
46	134-4916	1	Shield, Heat				
47	327-0935	1	Paint. Shield - Heat				
48	327-0861	6	Nut, Zinc - Black (1/4-20)				
49	327-0862	6	Washer, Zinc - Black (3/4 ID x 5/16 OD)				
50	337-2462	1	Strap, Ground				

**Control
(5.0 PRO - Spec 34879)**

REF NO.	PART NO.	QTY USED	PART DESCRIPTION	REF NO.	PART NO.	QTY USED	PART DESCRIPTION
			2Y + 1B Option	109	323-1521	3	Receptacle, Ind110
95	300-3828	1	Panel, Ind	110		12	Screw, Phillips - Black Zinc (M4 x 20mm)
96	327-0847	6	Screw, Phillips - Black Zinc (#8-32 x 1/2")	111		12	Nut (M4)
97	327-0849	6	Washer, Lock - Black Zinc (#8-32)	112	320-0540	3	Breaker, Circuit - 15 Amp
98	323-1518	1	Receptacle, Ind220	113	517-0297	3	Plugs, Hole - Breaker
99		4	Screw, Phillips - Black Zinc (M4 x 20mm)	114	300-3827	1	1G + 2B Option
100		4	Nut (M4)	115	327-0847	6	Panel, European
101	323-1521	2	Receptacle, Ind110	116	327-0849	6	Screw, Phillips - Black Zinc (#8-32 x 1/2")
102		8	Screw, Phillips - Black Zinc (M4 x 20mm)	117	323-1516	1	Washer, Lock - Black Zinc (#8-32)
103		8	Nut (M4)	118		4	Receptacle, Ger
104	320-0540	3	Breaker, Circuit - 15 Amp	119		4	Screw, Phillips - Black Zinc (M3 x 20mm)
105	517-0297	3	Plugs, Hole - Breaker	120	323-1518	2	Nut (M3)
106	300-2828	1	3Y Option	121		8	Receptacle, Ind 220
107	327-0847	6	Panel, Ind	122		8	Screw, Phillips - Black Zinc (M4 x 20mm)
108	327-0849	6	Screw, Phillips - Black Zinc (#8-32 x 1/2")	123	320-0540	6	Nut (M4)
			Washer, Lock - Black Zinc (#8-32)				Breaker, Circuit - 15 Amp

Generator 5.0 KW



**Generator
5.0 KW**

REF NO.	PART NO.	QTY USED	PART DESCRIPTION	REF NO.	PART NO.	QTY USED	PART DESCRIPTION
	249-0193	1	Replacement Generator	13	249-0737	1	Bolt, Mounting - Rotor (5/16-24 unf)
1	249-0781	1	Stator	14	249-0745	1	Plate
2	249-0734	1	Rotor	15	249-0720	7	Screw, Plate (M5 x 12mm)
3	249-0711	1	Adapter	16	249-0723	1	Fan, Rotor
4	249-0713	1	Bell, End	17	249-0773	2	Plate, Name
5	249-0717	1	Cover, End	18	249-0746	2	Plate
6	249-0740	1	Bolt, Mounting - Stator (M6 x 165mm)	19	249-0724	1	Screw, Ground (M5 x 12mm)
7	249-0715	1	Regulator, Voltage - Automatic	20	249-0747	4	Bolt, Terminal (M5 x 20mm)
8	249-0714	7	Screw, Mounting - AVR (M5 x 14mm)	21	249-0780	4	Washer, Flat (M5)
9	249-0716	1	Holder, Brush	22	249-0749	8	Washer, Lock - Spring (M5)
10	249-0722	1	Screw, Holder - Brush (M5 x 18mm)	23	249-0750	8	Nut, Lock - Hex (M5)
11	249-0718	2	Bolt, Cover - End (M5 x 20mm)	24	249-0765	1	Terminal Assembly
12	249-0731	1	Cover, Stator	25	249-0751	1	Marker, Terminal
				26	185-5005	1	Diode Assembly, DC
				27	249-0720	1	Screw, Diode - DC (M5 x 12mm)
				28	249-0726	1	Bushing, Rubber
				29	249-0752	1	Harness, Wire (with Coupler)

Numerical Index

Part No.	Page	Part No.	Page	Part No.	Page	Part No.	Page
98-5592	22	185-2495	13	185-2605	3	185-2657	18
98-6074	21	185-2499	13	185-2606	6	185-2658	18
98-6074	22	185-2510	8	185-2607	6	185-2659	18
98-6185-06	21	185-2511	14	185-2608	6	185-2660	18
98-6189	22	185-2511	15	185-2609	6	185-2661	18
98-6190	21	185-2542	12	185-2610	7	185-2662	18
98-6190	22	185-2543	14	185-2611	7	185-2663	18
98-6191	21	185-2543	15	185-2612	7	185-2664	18
98-6191	22	185-2546	3	185-2613	7	185-2665	15
98-6192	21	185-2551	19	185-2614	7	185-2666	15
98-6192	22	185-2552	19	185-2615	7	185-2667	15
98-6277	21	185-2553	19	185-2616	7	185-2668	3
98-6370	21	185-2554	19	185-2617	7	185-2669	10
98-6404	21	185-2555	19	185-2618	8	185-2669	18
98-6407	22	185-2563	13	185-2619	8	185-2670	14
98-6408	21	185-2566	15	185-2620	8	185-2670	15
98-6408	22	185-2567	4	185-2621	8	185-2671	3
99-2424	21	185-2568	4	185-2624	8	185-2671	6
99-2424	22	185-2569	10	185-2625	8	185-2672	7
100-2957	3	185-2570	12	185-2626	8	185-2673	8
100-2980	3	185-2571	5	185-2627	8	185-2674	14
134-4916	22	185-2573	16	185-2628	8	185-2674	15
134-4940	21	185-2574	3	185-2629	8	185-2675	4
155-2522	21	185-2575	4	185-2630	8	185-2675	5
155-2522	22	185-2577	6	185-2631	8	185-2676	4
159-1229	22	185-2578	12	185-2632	9	185-2677	7
185-2077	3	185-2579	3	185-2633	9	185-2678	4
185-2334	18	185-2580	12	185-2634	8	185-2679	4
185-2366	5	185-2581	6	185-2635	9	185-2680	4
185-2367	18	185-2582	3	185-2636	9	185-2681	5
185-2381	3	185-2583	9	185-2637	9	185-2682	5
185-2381	11	185-2584	7	185-2638	9	185-2683	5
185-2381	18	185-2585	8	185-2639	9	185-2684	7
185-2401	5	185-2588	10	185-2640	9	185-2685	12
185-2408	6	185-2589	17	185-2641	9	185-2686	12
185-2482	3	185-2590	4	185-2642	9	185-2687	17
185-2483	8	185-2591	3	185-2643	9	185-2688	17
185-2484	8	185-2592	3	185-2644	12	185-2689	17
185-2485	8	185-2593	3	185-2645	12	185-2690	17
185-2486	12	185-2594	3	185-2646	12	185-2691	17
185-2487	3	185-2595	5	185-2647	17	185-2692	17
185-2488	4	185-2596	3	185-2648	4	185-2693	17
185-2489	4	185-2597	3	185-2649	4	185-2694	17
185-2490	4	185-2598	3	185-2650	4	185-2695	17
185-2491	7	185-2599	3	185-2651	10	185-2696	17
185-2492	4	185-2600	3	185-2652	10	185-2697	17
185-2492	17	185-2601	3	185-2653	10	185-2698	17
185-2493	15	185-2602	3	185-2654	10	185-2699	17
185-2493	18	185-2603	3	185-2655	10	185-2700	17
185-2494	13	185-2604	3	185-2656	18	185-2701	17

Numerical Index

Part No.	Page	Part No.	Page	Part No.	Page	Part No.	Page
185-2702	4	185-2943	13	185-4990	16	300-3827	23
185-2703	4	185-2947	12	185-5005	25	300-3828	21
185-2704	10	185-2948	12	185-5159	7	300-3828	23
185-2705	10	185-2949	12	185-5178	17	300-3829	21
185-2706	18	185-2950	9	185-5256	11	300-3829	22
185-2707	18	185-2953	17	185-5257	11	300-3831	21
185-2708	16	185-2955	19	185-5258	11	320-0540	21
185-2709	3	185-2963	3	185-5262	11	320-0540	22
185-2710	8	185-2964	12	185-5263	14	320-0540	23
185-2711	9	185-2965	18	185-5264	14	323-1516	21
185-2712	9	185-2972	17	185-5265	14	323-1516	23
185-2713	18	185-2986	17	185-5266	14	323-1518	21
185-2714	7	185-3009	5	185-5267	14	323-1518	23
185-2715	7	185-3013	5	185-5268	14	323-1521	21
185-2716	13	185-3013	13	185-5269	14	323-1521	23
185-2717	13	185-3026	11	185-5270	16	327-0837	22
185-2718	13	185-3074	10	185-5274	16	327-0838	22
185-2719	13	185-3079	12	185-5275	16	327-0839	22
185-2720	13	185-3095	8	185-5276	16	327-0840	22
185-2721	13	185-3157	10	249-0193	25	327-0842	21
185-2722	13	185-3387	11	249-0711	25	327-0842	22
185-2723	7	185-3446	8	249-0713	25	327-0843	21
185-2724	7	185-3447	8	249-0714	25	327-0843	22
185-2725	7	185-3448	8	249-0715	25	327-0846	21
185-2727	15	185-3449	8	249-0716	25	327-0846	22
185-2729	10	185-3469	17	249-0717	25	327-0847	21
185-2730	7	185-3484	10	249-0718	25	327-0847	22
185-2754	19	185-3485	10	249-0720	25	327-0847	23
185-2763	19	185-3487	10	249-0722	25	327-0849	21
185-2767	13	185-3496	11	249-0723	25	327-0849	22
185-2768	13	185-3503	16	249-0724	25	327-0849	23
185-2777	5	185-3656	3	249-0725	25	327-0850	21
185-2777	10	185-3691	14	249-0731	25	327-0850	22
185-2782	19	185-3691	15	249-0734	25	327-0851	21
185-2785	10	185-3692	15	249-0737	25	327-0851	22
185-2786	10	185-3732	3	249-0740	25	327-0853	22
185-2787	16	185-3752	8	249-0745	25	327-0854	22
185-2797	4	185-3759	8	249-0746	25	327-0855	22
185-2798	4	185-3783	11	249-0747	25	327-0857	22
185-2799	15	185-3785	11	249-0749	25	327-0858	22
185-2800	4	185-3801	11	249-0750	25	327-0859	22
185-2824	7	185-4146	5	249-0751	25	327-0860	21
185-2831	3	185-4470	13	249-0752	25	327-0860	22
185-2888	10	185-4558	17	249-0765	25	327-0861	21
185-2889	13	185-4559	17	300-2828	23	327-0861	22
185-2926	14	185-4564	17	300-3741	22	327-0865	22
185-2926	15	185-4671	16	300-3815	21	327-0867	22
185-2935	17	185-4756	17	300-3817	22	327-0869	22
185-2941	17	185-4760	17	300-3818	22	327-0871	22
185-2942	13	185-4987	10	300-3827	21	327-0872	22

Numerical Index

Part No.	Page	Part No.	Page	Part No.	Page	Part No.	Page
327-0873	22	327-0922	22				
327-0875	22	327-0923	22				
327-0876	22	327-0924	22				
327-0877	21	327-0925	22				
327-0877	21	327-0928	22				
327-0877	22	327-0930	22				
327-0877	22	327-0931	21				
327-0878	21	327-0932	21				
327-0879	21	327-0934	21				
327-0879	22	327-0935	22				
327-0881	21	327-0936	21				
327-0882	21	327-0936	22				
327-0882	22	327-0949	21				
327-0884	21	327-0949	22				
327-0884	22	337-2462	21				
327-0885	21	337-2462	22				
327-0885	22	403-3068	22				
327-0887	21	403-3073	21				
327-0887	22	403-3073	22				
327-0888	22	403-3074	22				
327-0889	21	403-3110	21				
327-0889	21	403-3142	22				
327-0891	22	403-3150	21				
327-0892	21	403-3152	21				
327-0892	22	403-7074	21				
327-0893	21	517-0297	21				
327-0893	22	517-0297	22				
327-0894	22	517-0297	23				
327-0895	22	546-2260	21				
327-0896	22	546-2263	22				
327-0897	22						
327-0898	21						
327-0898	22						
327-0899	22						
327-0900	22						
327-0901	22						
327-0902	22						
327-0910	22						
327-0911	21						
327-0911	22						
327-0912	21						
327-0912	22						
327-0913	21						
327-0913	22						
327-0914	22						
327-0917	21						
327-0917	22						
327-0918	21						
327-0918	22						
327-0919	21						