

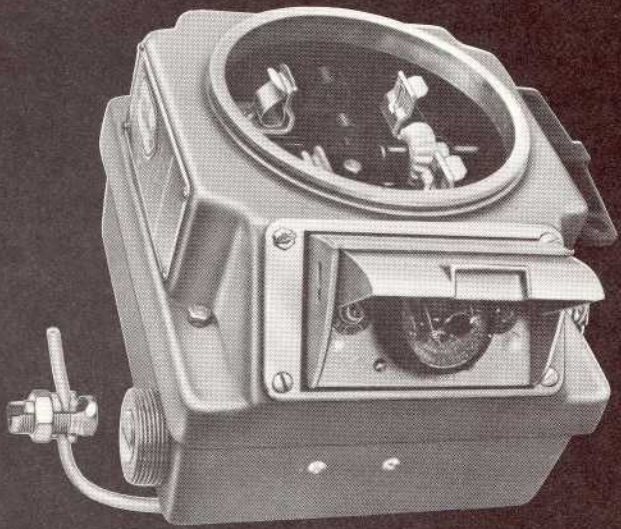


Home Standby LOAD TRANSFER SWITCH

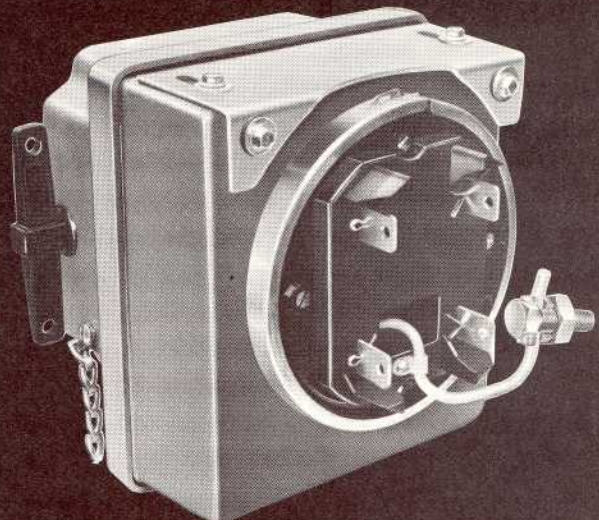
SERIES
ETUMP
ETUMT
200-AMP



Listed by Underwriters' Laboratories, Inc.



MODEL ETUMT - 020 - 3/11



MODEL ETUMP - 100 - 3/11

Onan Home Standby Load Transfer Switch is designed for most homes supplied with 3-wire electric utility power of 120, 240, or 120/240-volt AC, up to 200-amp, and having an Onan electric generating set or other AC power source, operable within generator input rating, for standby service during outages. The transfer switch provides a safe and easy means for the homeowner to transfer his electrical load from the line to the standby power source when commercial power interrupts, and retransfer it to the line when normal power resumes. Integrated into the electrical system, it completes the home standby power package.

ETUMP: For permanent connection of the standby generating set to the transfer switch. Removable, tamper protected front cover plate provides easy access for 120 to 240-volt reconnection.

ETUMT: Front mounted receptacle assembly permits plug-in connection of standby generating set to the transfer switch. Twist-lock receptacle and plug. (Customer supplies power cable or harness.) A pair of 20-amp circuit breakers in receptacle assembly provide overload protection. Remove receptacle assembly to reconnect.

SPECIFICATIONS

Design: Double Pole, Double Throw manual transfer switch for installation between the utility watt-hour meter and the meter box.

Utility Input Rating: 200-amp, 240-volt AC, 3-wire (limited to 160-amp Continuous by Meter Socket Rating, but 200-amp allowable for durations not exceeding four hours).

Generator Input Rating: 120/240-volt AC, 3-wire.

ETUMP: 100-amp maximum.

ETUMT: 20-amp maximum.

Contacts: Silver plated copper, spring steel backed, cam-lock to either position.

Withstand Current Rating: 10,000-amp RMS Symmetrical.

Housing: Heavy cast aluminum case for permanent installation outdoors or indoors.

Socket Jaws and Socket Stabs: Four each, jaws and stabs, configured per NEMA Publication EI 17-1968 MSJ-7 Figure 3A (standard meter socket).

Installation of the transfer switch (by qualified personnel) must be approved by the local utility which may require inspection and sealing of the meter by a utility company representative. Contact your local Onan Distributor regarding such approval.

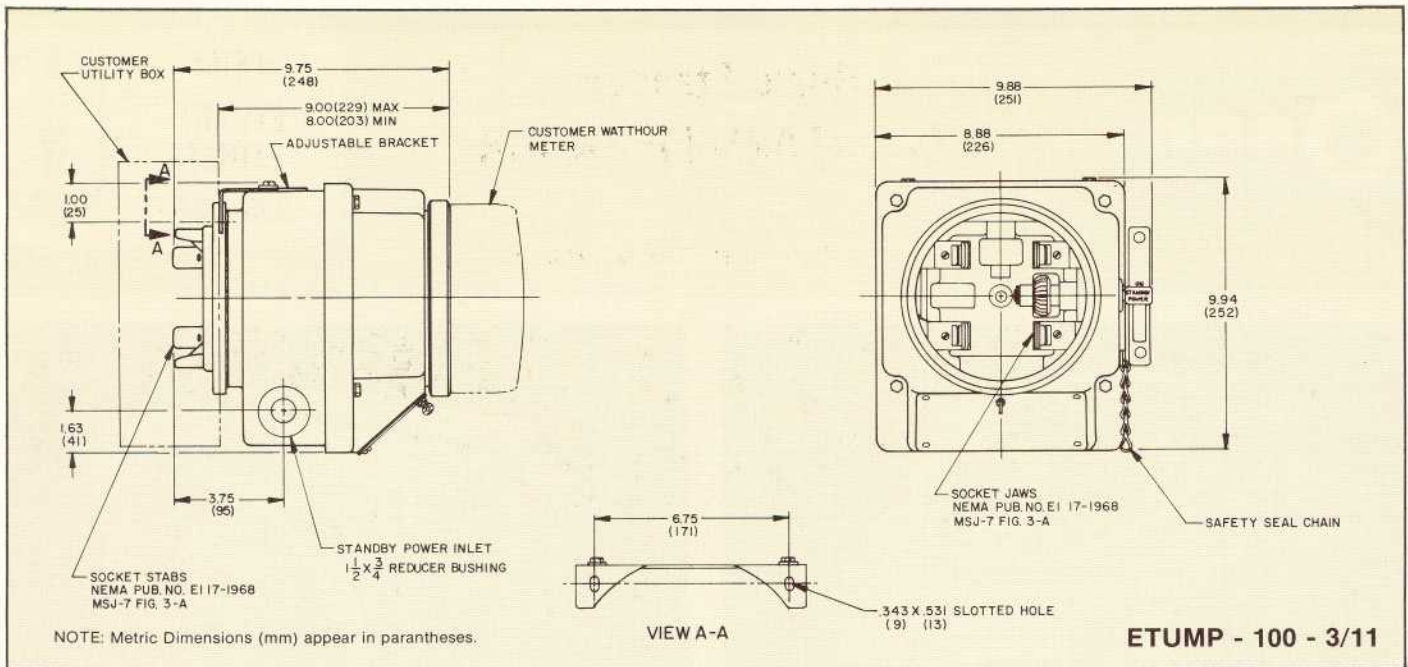
NOTE: Five-jaw transfer switch modification is available as an option to match 120/208-volt five-jaw meter.

Litho in U.S.A.

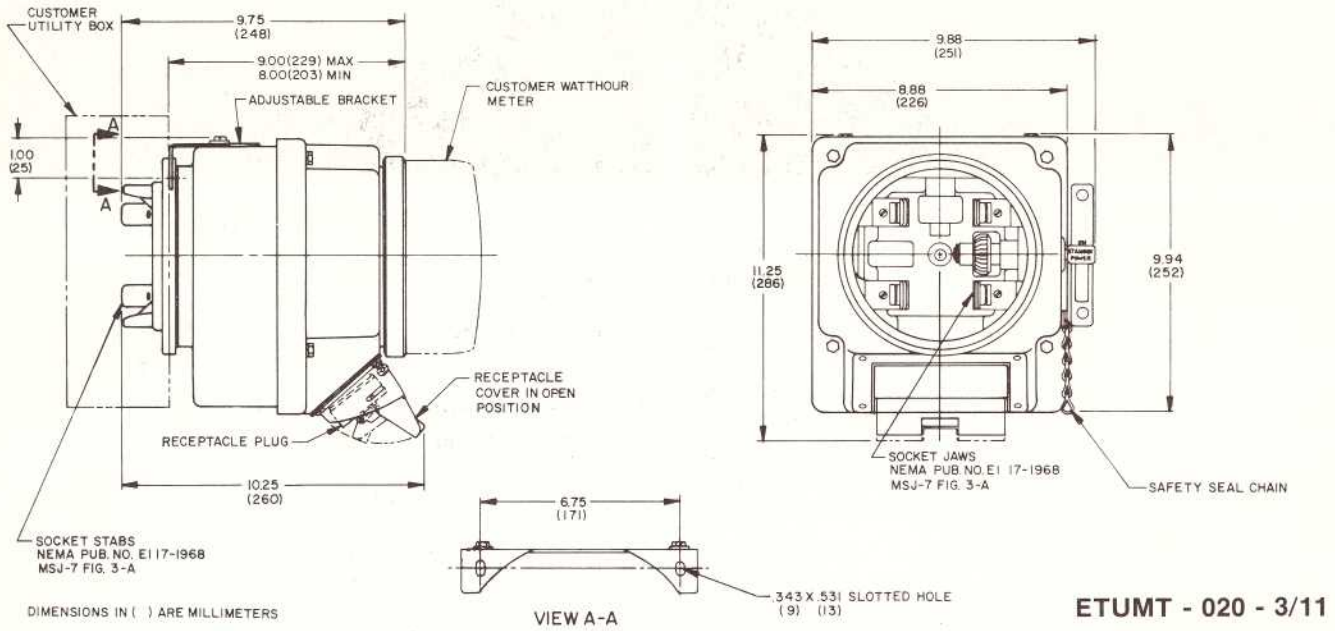
A-732-C-475

ONAN

1400 73RD AVENUE N.E. • MINNEAPOLIS, MINNESOTA 55432
A DIVISION OF ONAN CORPORATION



Approximate Net Weight: 18-lb (8.17 kg).



Specifications May Change Without Notice