

KOHLER GENERATORS

**parts listing for
4, 5, 6.5, 7.5 KW**

(L654 powered)



**specification number series 106
(through specification 106192)
parts section 16**

INTRODUCTION

This manual contains a complete listing of service replacement parts for Kohler 4, 5, 6.5, 7.5kW Generator Sets with specification series code 106. These use the Kohler Model L654 Engine. The manual includes the following main sections in the sequence listed.

1. **Composite Exploded Views:** Shows the general reference group location of the main components of the generator set.
2. **Specification Number Index:** Listing of generator set spec numbers arranged in numerical sequence on each page. Group variation numbers are listed in the horizontal line to the right of each spec number.
3. **Group Parts Lists:** Indicates specific parts for each specification. Illustrations of parts are shown for each of the various parts groups. Illustrations are keyed to the parts numbers found in the parts group listings.
4. **Gasket Set Listing:** Lists the part number of the gasket set required for complete overhaul of the unit plus a listing of the individual gaskets and seals which are included in the set. Gaskets and seals are also listed individually in the various parts groups.

NUMBER SIGNIFICANCE

There are various numbers which must be used in determining how to identify a part number. The significance of each of these numbers is explained as follows:

SPECIFICATION NUMBER: The generator set specification number, which is found on the nameplate attached to the frame of the generator, indicates model variation or the combination of groups used to build that particular generator set. The spec number is, in effect, a coded number. The first three digits, which are the code designation for generator size and engine model, remain constant in this series while the remaining digits in the spec number are issued in numerical sequence. When the sequential number reaches 99, the next number will be 100, for example: 10699 is followed by 106100—note that the spec number goes from a 5 digit to a 6 digit number in this example.

GROUP NUMBER: The group consists of related parts needed to provide one or more related functions.

GROUP VARIATION NUMBER: There may be various groupings of parts designed to provide the same function, however, with minor differences. Each of these differences necessitates the assignment of a *group variation number*. Example, *dry air cleaner or oil bath air cleaner—both perform the same function, however, use different parts.*

PART NUMBER: The part number is the number by which an individual piece part of a generator set is identified and ordered.

HOW TO FIND PART NUMBERS

Following is a step-by-step procedure to be used in identifying and ordering a specific part.

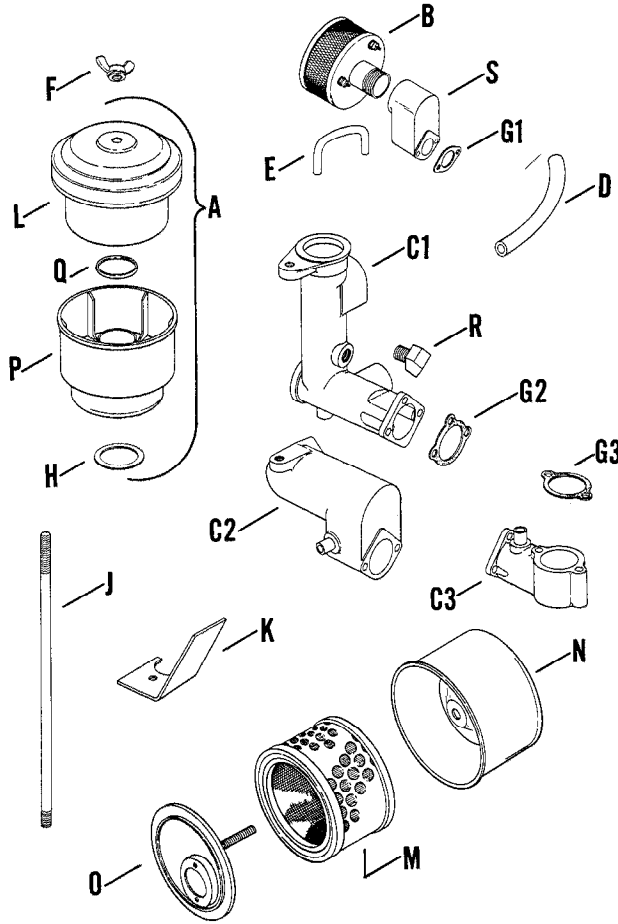
Item to be ordered: **ARMATURE ASSEMBLY**

- STEP 1:** Record the **Generator Set** specification number from the nameplate on the generator frame. (Sample: 10675A)
- STEP 2:** Turn to the composite views to determine the group in which the armature assembly is located. The armature assembly is in Group 201 - Generator and Mounting.
- STEP 3:** In the Specification Number Index, find specification 10675A in the left-hand vertical column. Under Group 201 - Generator and Mounting column, locate the variation number assigned to specification 10675A. The variation number is 52.
- STEP 4:** Turn to Parts Group 201 - Generator and Mounting. Note that the armatures are identified with Index Letter L—under this letter locate Variation 52. Armature assembly B-242820 is assigned to this variation.

SPEC. NO. INDEX

GRID	A7	A7	A11	A11	A12	A13	B1	B1	B1	B1	B2	B2	B3	B6	B7	B7	B7	B8	B8	B8	B10	B10	B13	C7	
GROUP TITLE	AIR INTAKE	COOLANT SYSTEM	BREATHER & VENT	CAMSHAFT & VALVES	CARBURETOR	CRANKCASE	CRANKSHAFT	CYLINDER HEAD	DIPSTICK	EXHAUST	FUEL PUMP	GOVERNOR	IGNITION	OIL PAN	PISTON & ROD	OIL PUMP	GEAR COVER	HIGH TEMPERATURE CUTOUT	OIL PRESSURE CUTOUT	SHORT BLOCK	SKID & PLANT MOUNTING	GENERATOR & MOUNTING	CONTROLLER & MOUNTING	HOUSING & MOUNTING	
Group No.	1	2	3	4	5	7	8	9	10	12	14	17	18	21	22	25	26	31	32	41	109	201	301	501	
SPEC. NO.	VARIATION NUMBER																								
106181A	5	24	6	6	46	1	3	8	3	5	7	28	29	17	28	4	28	1	1	1	3	74	170		
106182A	5	31	6	6	46	1	3	8	3	5	7	28	29	17	28	4	28	2	1	1	3	81	171		
106183A	5	24	6	6	46	1	3	8	3	5	7	28	29	17	28	4	28	1	1	1	3	81	171		
106184A	-	36	1	1	54	8	3	8	4	28	7	30	28	17	28	4	28	-	-	-	6	107	146		
106185A	105	38	1	1	49	1	3	8	3	28	30	28	28	17	28	4	28	-	-	-	7	81	70	18	
106190A	104	28	1	1	48	1	3	8	3	29	29	29	29	17	28	4	28	-	-	1	6	83	149		
106191A	105	28	1	1	49	1	3	8	3	28	28	28	28	17	28	4	28	-	-	1	7	103	71	18	
106192A	60	39	1	1	60	1	3	8	3	28	28	28	28	17	28	4	28	3	1	1	8	109	174		

1 AIR INTAKE



INDEX LTR.	DESCRIPTION VARIATION NUMBER	PART NUMBER	QTY.
G2	Gasket 6,103	241386	1
G3	Gasket 101	220537	1
	60,102,104	220537	2
H	Gasket 6,103	220509	1
J	Stud 1/4 - 20 6,103	241387	1
K	Deflector, heat 6,103	241454	1
L	Element, air cleaner 6,103	220890	1
M	Element, air cleaner 100,101,102,104,105	231847	1
	Element, Air Cleaner 60	50 083 01	1
N	Cover, air cleaner 60,100,101,102,104,105	231855	1
O	Base, air cleaner 60,100,101,102,104,105	241392	1
P	Cup, oil 6,103	220525	1
Q	Seal 6,103	220522	1
R	Elbow, street 45° 6	256025	1
S	Elbow, air horn 5	241262	1

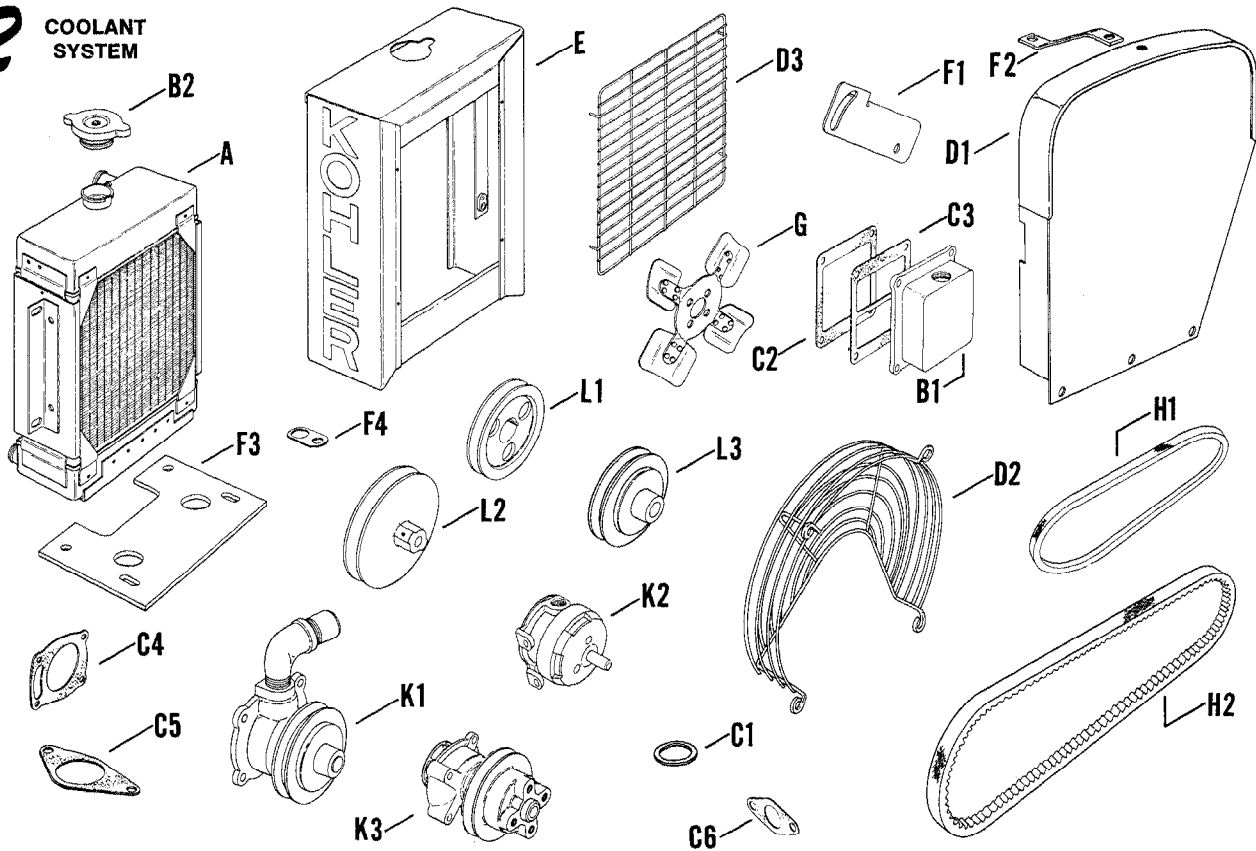
ILLUSTRATION ON GRID A11

COOLANT SYSTEM **2**

INDEX LTR.	DESCRIPTION VARIATION NUMBER	PART NUMBER	QTY.
A	Cleaner, air - assembly (Includes N - Q) 6,103	46 743 01	1
B	Arrestor, flame 5	241476	1
C1	Adapter, air cleaner - assem. (Includes R) 6,103	241385	1
C2	Adapter, air cleaner 60,100	50 534 01	1
C3	Adapter, air cleaner 102,104	241414	1
D	Hose 6	X-484-19	1
E	Line, breather 5	241246	1
F	Nut, wing 1/4 - 20 6,60,100,101,103,104,105	X-276-7	1
G1	Gasket, air horn 5	241258	1

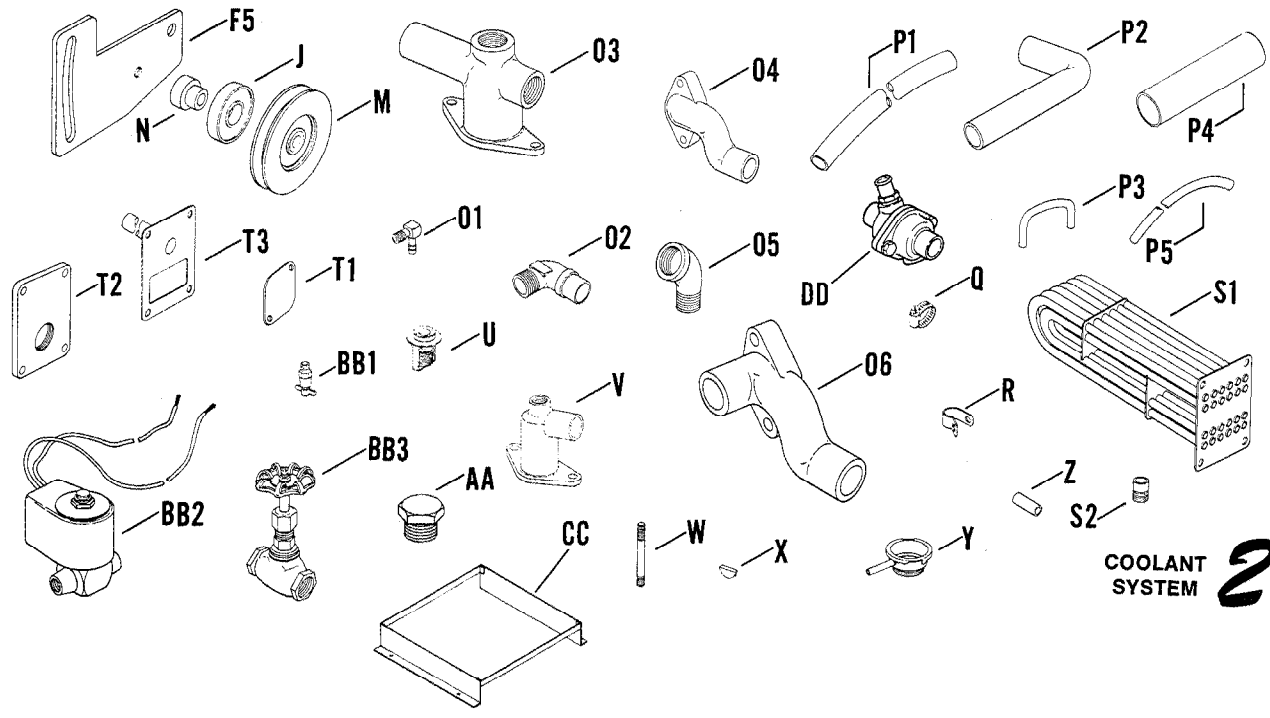
INDEX LTR.	DESCRIPTION VARIATION NUMBER	PART NUMBER	QTY.
A	Radiator 28,32,34,36,38,39,40	A-241346	1
B1	Cap, manifold 24,31,37	241278	1
B2	Cap, radiator 28,32,34,36,38,39,40.	258037	1
	Cap, pressure 31,37	258126	1
C1	Gasket, solid cap 24	241289	1
C2	Gasket, inlet-outlet adapter inner 24,31,33,37	241261	1
C3	Gasket, inlet-outlet adapter 24,31,37	241260	1
C4	Gasket, water pump ALL	240146	1
C5	Gasket, thermostat housing ALL	240160	1
C6	Gasket, inlet elbow ALL	240168	1

COOLANT SYSTEM



INDEX LTR.	DESCRIPTION VARIATION NUMBER	PART NUMBER	QTY.	INDEX LTR.	DESCRIPTION VARIATION NUMBER	PART NUMBER	QTY.
D1	Guard, belt 24,31,33,37	241473	1	H1	Belt 40 outside length 24,31	240788	1
D2	Guard, fan 28,32,34,36,38,39,40	241360	1	H2	Belt 34-3/4 28,32,33,34,36,37,38,39,40	235312	1
D3	Guard, radiator 28,36	241357	1	J	Bearing, ball ALL	241435	1
E	Shroud, radiator 28,36,40	241358	1	K1	Pump, water - assem.(Engine) 24,31	50 393 05	1
F1	Bracket, pump 24,31	241277	1		33,37	50 393 04	1
F2	Bracket, guard 24,31,33,37	241256	1	K2	Pump, water - assem. (Lift) 24,31	A-240777	1
F3	Bracket, radiator 28,32,34,36,38,39,40	241359	1	K3	Pump, water circulating assembly 28,32,34,36,38,39,40	50 393 09	1
F4	Bracket, overflow tube 31,37	241276	1	L1	Pulley, crankshaft 5-1/8 dia. 24,31	240144	1
F5	Bracket, idler ALL	241353	1	L2	Pulley, pump 24,31	240791	1
G	Blade, fan 28,32,34,36,37,39,40	241375	1	L3	Pulley, crankshaft 28,32,33,34,36,37,38,39,40	241394	1

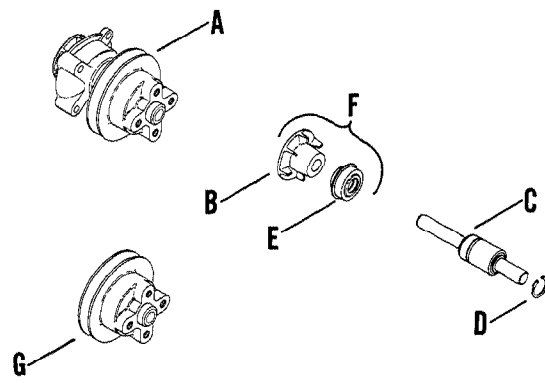
INDEX LTR.	DESCRIPTION VARIATION NUMBER	PART NUMBER	QTY.	INDEX LTR.	DESCRIPTION VARIATION NUMBER	PART NUMBER	QTY.
M	Pulley, idler ALL	241434	1	(P4-CONTINUED)			
N	Spacer, idler ALL	241436	1		Hose, upper 1-1/4 I.D. x 7-3/4 28,32,34,36,38,39	X-418-2	1
01	Elbow 24,31	X-391-1	1		Hose, lower radiator 40	X-418-3	1
02	Elbow 24,31,33,37	266076	A.R.	P5	Hose 5/16 I.D. x 20 31,37	X-386-32	1
03	Elbow, water outlet 24,31,33,37	240825	1	Q	Clamp, hose 1/2 min. 1-3/8 max. 24,31	X-426-3	A.R.
04	Elbow, water inlet 28,32,34,39	241403	1		Clamp, hose 1-5/16 min. 2-1/4 max. All	X-426-4	A.R.
05	Elbow 33	151385	1		Clamp, hose 1-3/16 min. 1-15/16 max. 28,31,32,34,36,37,38	X-426-8	A.R.
06	Elbow, water outlet 36,38,40	241446	1	R	Clamp, insulating 28,32,34,36,38,39,40	X-672-7	2
P1	Hose 1-1/4 I.D. x 6-1/2 24,31,33,37	X-272-19	1	S1	Tube, bundle 31,37	241279	1
	Hose 1-1/4 I.D. x 2-7/8 33,39,40	X-272-10	1	S2	Tube 33	241457	1
P2	Hose, molded 1-1/4 I.D. x 11-3/16 24,31,37	X-693-4	1	T1	Plate, cover 24,31,33,37	241253	1
P3	Hose, oil proof 5/8 I.D. 24,31	241525	1	T2	Plate, cover 33,37	241458	1
P4	Hose, lower 1-1/4 I.D. x 2-7/8 28,32,33,34,36,38	X-272-1	1	T3	Plate, water injection 24	241291	1



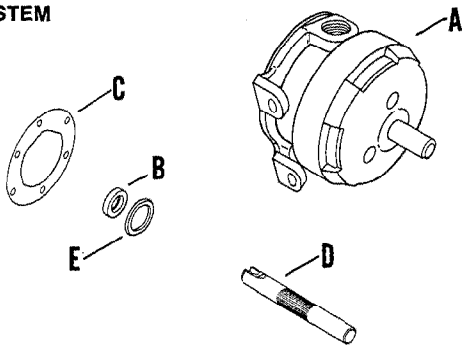
INDEX LTR.	DESCRIPTION VARIATION NUMBER	PART NUMBER	QTY.
U	Thermostat 138° 24,28,31,32,33,36,37,39,40	50 755 17	1
	Thermostat 180° 34,38	50 755 16	1
V	Housing, thermostat 28,32,34,36,38,39,40	240162	1
W	Stud, thermostat housing 3-7/8 ALL	240159	2
X	Key ALL	X-45-1	1
Y	Neck, filler 31,37	241311	1
Z	Spacer 13/32 I.D. x 3/4 O.D. x 1/2 28,32,33,34,36,37,38,39,40	X-400-26	1
	Spacer 11/32 I.D. x 3/4 O.D. x 1/4 28,32,33,34,36,37,38,39,40	153641	1
AA	Plug, solid 24	241288	1
BB1	Valve, drain 24	X-256-4	1
	28,31,32,33,34,36,37,38, 39,40	X-256-2	A.R.
BB2	Valve, water 1/4 33,37	258058	1
BB3	Valve, shut-off 33,37	X-381-2	1
CC	Frame, air duct 39	241466	1
DD	Housing, thermostat assembly (Includes EE thru JJ) 40	A-241576	1
EE	Adapter, hose 40	X-756-1	1
FF	Housing, thermostat 40	241572	1
GG	Housing, thermostat 40	241573	1
HH	Thermostat 40	269061	1
JJ	Gasket, thermostat housing 40	290729	1

INDEX LTR.	DESCRIPTION VARIATION NUMBER	PART NUMBER	QTY.
A	Pump, water - assem. (Lift) 24,31	A-240777	1
B	Seal 24,31	241984	1
C	Gasket, end cover 24,31	240991	1
D	Shaft 24,31	241004	1
E	"O" ring 24,31	241060	1

COOLANT SYSTEM 2



2 COOLANT SYSTEM

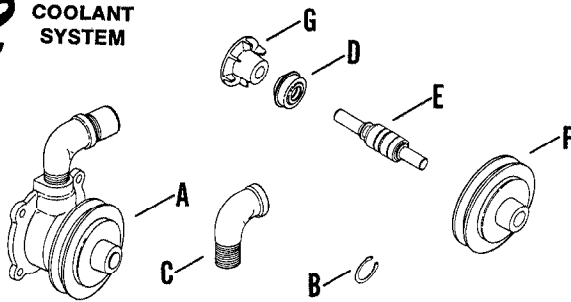


INDEX LTR.	DESCRIPTION VARIATION NUMBER	PART NUMBER	QTY.
A	Pump, water circulating assembly 28,32,34,36,38,39,40	A-241361	1
B	Impeller 28,32,34,36,38,39,40	240149-1	1
C	Bearing 28,32,34,36,39,40	241056	1
D	Ring, snap 28,32,34,36,38,39,40	240154	1
E	Seal 28,32,34,36,38,39,40	240300	1
F	Repair kit (Includes B & E) 28,32,34,36,38,39,40	240648	1
G	Pulley, fan 28,32,34,36,38,39,40	241355	1

2,3,4

2,3,4

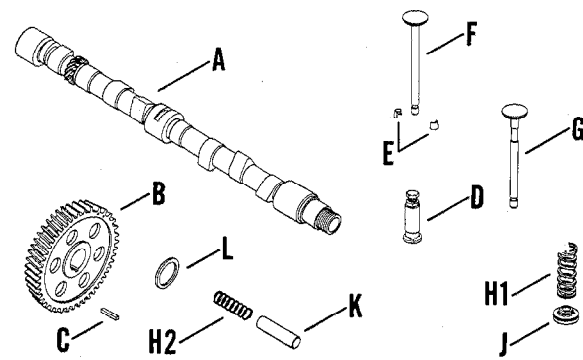
2 COOLANT SYSTEM



INDEX LTR.	DESCRIPTION VARIATION NUMBER	PART NUMBER	QTY.
E	Gasket, valve cover 1,2,6	240163	1
F	Stud, valve cover 1,2,6	240726	2
G	Coupling 2	X-216-13	1
H	Elbow 6	X-344-3	1

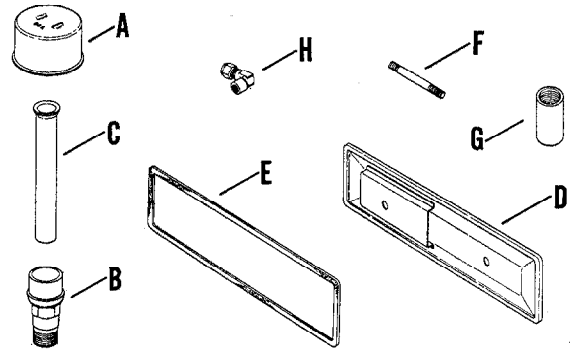
INDEX LTR.	DESCRIPTION VARIATION NUMBER	PART NUMBER	QTY.
A	Pump, water - assem. (Engine) 24,31	50 393 05	1
	33,37	50 393 04	1
B	Ring, snap 24,31,33,37	240154	1
C	Elbow 24,31,33,37	151385	1
D	Seal 24,31,33,37	240300	1
E	Bearing and shaft 24,31,33,37	241282	1
F	Pulley 24,31	241284	1
	33,37	241459	1
G	Impeller 24,31,33,37	50 328 02	1

CAMSHAFT AND VALVES 4



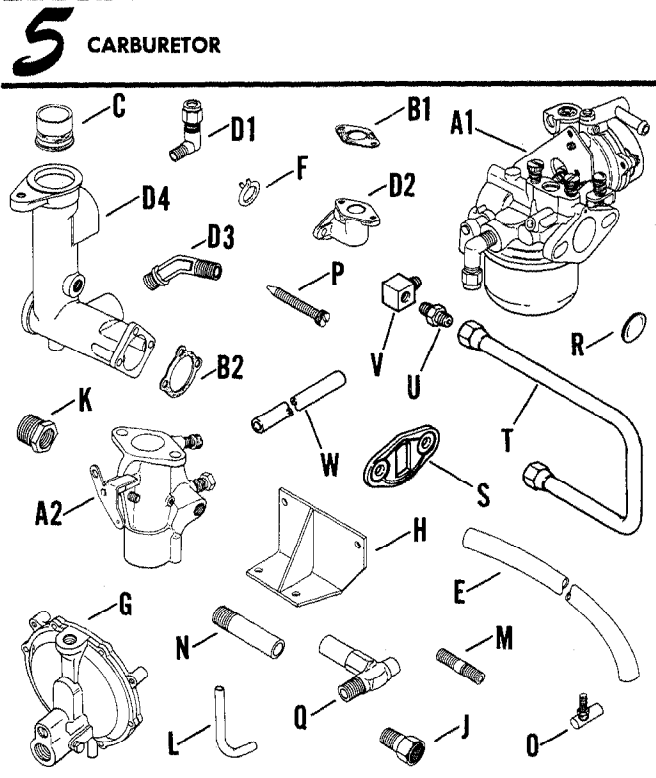
INDEX LTR.	DESCRIPTION VARIATION NUMBER	PART NUMBER	QTY.
A	Camshaft 3,5,6	241532	1
B	Gear, camshaft 3,5,6	240135	1
C	Key 3,5,6	X-45-1	1
D	Tappett, valve 3,5,6	D-240327	8
E	Keeper, valve (pair) 3,5,6	41 755 10	8
F	Valve, intake 3,5,6	241399	4
G	Valve, exhaust 3,5,6	240360	4
H1	Spring, valve 3,5	240704	8
	6	241023	8
H2	Spring, thrust plug 3,5,6	A-592	1
J	Rotator, valve 3,5,6	240702	8
K	Plug, thrust 3,5,6	A-591	1
L	Washer, camshaft 3,5,6	240137-1	1

3 BREATHER AND VENT



INDEX LTR.	DESCRIPTION VARIATION NUMBER	PART NUMBER	QTY.
A	Breather 1,2,6	B-240172	1
B	Adapter, breather 1,2,6	240170	1
C	Pipe, adapter breather vent 1,6	240796	1
D	Cover, valve 1,2,6	50 254 01	1

Continued on Grid B1



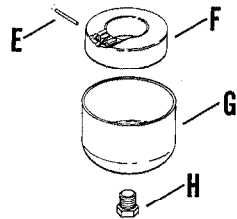
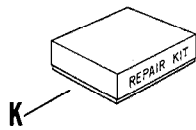
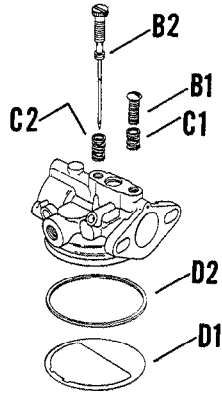
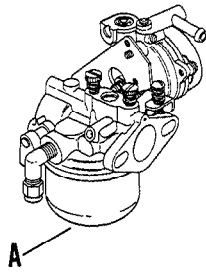
INDEX LTR.	DESCRIPTION VARIATION NUMBER	PART NUMBER	QTY.
------------	------------------------------	-------------	------

Use stock of original part number before ordering replacement.

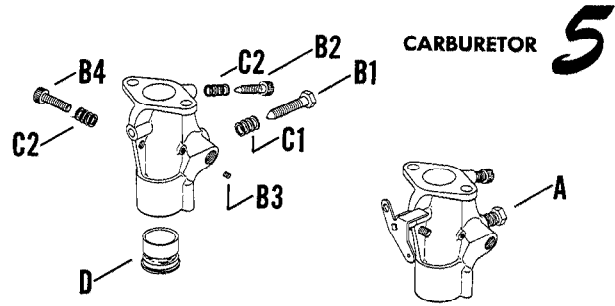
A1	Carburetor - assembly (Grid B2) 46,49,53,54,57,59,60	50 053 03	1
A2	Carburetor - assembly (Grid B2) 48,56	31 053 07	1
B1	Gasket, carburetor 46,49,53,54	210223	2
	48,56,57,59,60	210223	1
B2	Gasket 49,57,59	241386	1
C	Venturi 49,57,59	230471	1
D1	Elbow 46	B-892 (Discont'd.)	1
	Elbow 60	X-265-1	1
D2	Elbow, intake 46,49,53,54,57,59,60	241365	1
D3	Elbow 49,57,59	256025	1
D4	Elbow, mixer 49,57,59	241422	1
E	Hose 1/4 I.D. x 4-1/2 46,49,53,54,57,59	X-386-15	1
	Hose 5/16 I.D. x 8 48,56	X-386-40	1

INDEX LTR.	DESCRIPTION VARIATION NUMBER	PART NUMBER	QTY.
	Hose, breather 5/16 I.D. x 1-1/4 54	241370	1
	Hose 1/2 I.D. x 2-3/4 56	X-422-5	1
	Hose 5/8 I.D. x 6-3/4 57	X-423-9	1
	Hose 5/16 I.D. x 2-3/8 57	X-484-19	1
	Hose 48	X-422-5	1
	49	X-423-15	1
	49,53,59	X-484-19	1
	Hose 60	X-386-17	1
F	Clamp, hose 48,49,56,57	X-426-3	2
G	Regulator, gas 48,49,56,57	B-230695	1
H	Bracket, regulator 48,49	241407	1
J	Plug, air vent 57	151377	2
K	Bushing, reducer 3/8 x 1/4 56	X-202-30	1
L	Line, fuel 46,53,54	241344	1
M	Stud 1/4 - 20 x 1 46,49,53,54,57,59,60	232960	2
N	Nipple 1/4 48,56	X-226-3	2
	Nipple 3/8 x 1-1/2 49	X-227-3	1
O	Ball joint 46,53,54	237130	1
P	Valve, needle 49,57,59	150305	1
Q	Body, valve 49,57,59	220482	1
R	Plug, welch 49,57,59	X-230-14	2
S	Gasket, fuel pump 60	277649	1
T	Fuel line 60	50 053 09	1
U	Connector 60	X-296-1	1
V	El 60	X-555-2	1
W	Tube, neoprene 60	241370	1

5 CARBURETOR



INDEX LTR.	DESCRIPTION VARIATION NUMBER	PART NUMBER	QTY.
A	Carburetor - assembly (Includes B thru N) 46,49,53,54,57,59,60	50 053 03	1
B1	Needle, idle fuel adjusting 46,49,53,54,57,59,60	200438	1
B2	Needle, main fuel adjusting 46,49,53,54,57,59,60	241242	1
C1	Spring, idle speed adjusting 46,49,53,54,57,59,60	232555	1
C2	Spring, main fuel adjusting needle 46,49,53,54,57,59,60	200383	1
D1	Gasket, anti-splash 46,49,53,54,57,59,60	200439	1
D2	Gasket, fuel bowl 46,49,53,54,57,59	200375	1
E	Pin, float hinge 46,49,53,54,57,59	200376	1
F	Float 46,49,53,54,57,59	200408	1
G	Bowl, fuel 46,49,53,54,57,59	200418	1
H	Nut, fuel bowl 46,49,53,54,57,59	41 100 01	1
K	Repair kit, automatic choke (Includes heater housing, pin gasket, baffle, screws, retainers and link, lever and pin assembly) 46,49,53,54,57,59,60	277469	1
	Repair kit, carburetor 46,49,53,54,57,59,60	231555	1



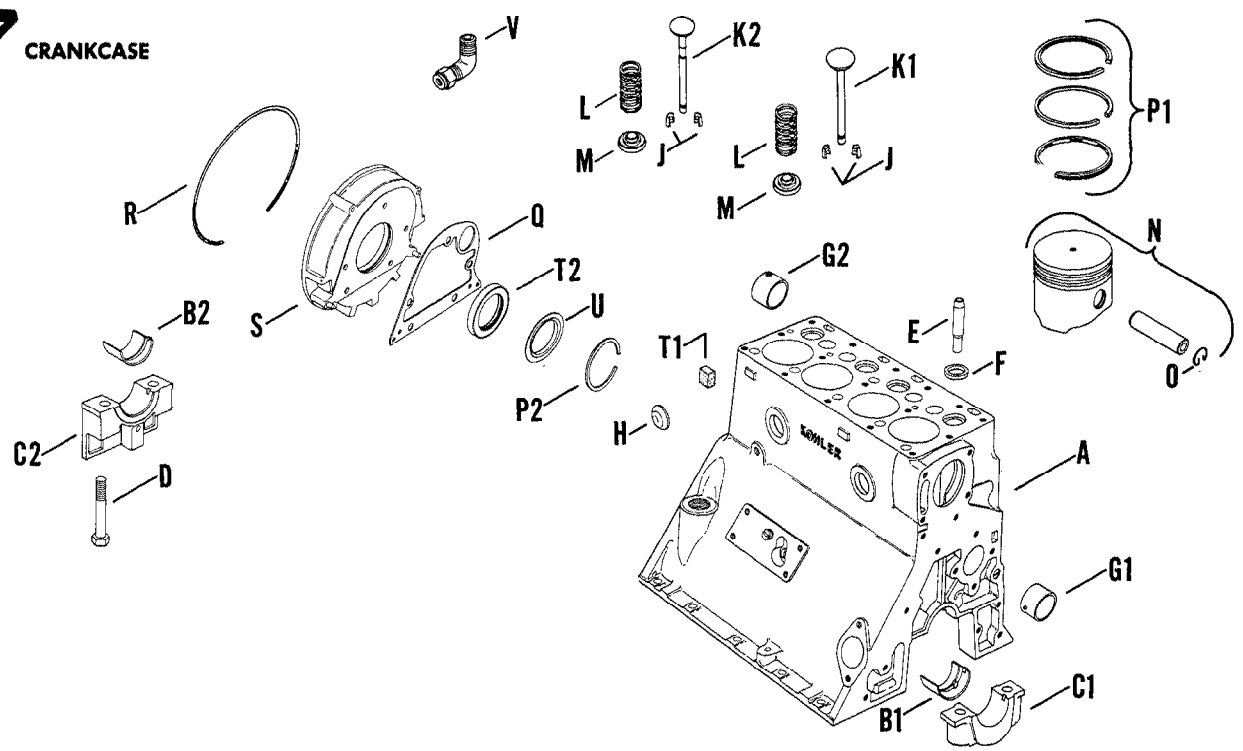
INDEX LTR.	DESCRIPTION VARIATION NUMBER	PART NUMBER	QTY.
A	Carburetor - assembly 48,56	31 053 07	1
B1	Screw, load 48,56	232694	1
B2	Screw, idle 48,56	234206	1
B3	Screw, Venturi set 48,56	234211	1
B4	Screw, idle stop adjusting 48,56	234210	1
C1	Spring, load screw 48,56	234207	1
C2	Spring, idle screw 48,56	234208	2
D	Venturi 48,56	234212	1

ILLUSTRATION ON GRID B3

CRANKCASE 7

INDEX LTR.	DESCRIPTION VARIATION NUMBER	PART NUMBER	QTY.
A	Block, cylinder - assembly (Includes B1 thru P1) 1,7,8	A-241462	1
B1	Bearing, main -- Std. (pr.) (Front & Center) 1,7,8	50 755 06	2
	Bearing, main -- .002 U.S.	50 755 07	
	Bearing, main -- .010 U.S.	50 755 08	
	Bearing, main -- .020 U.S.	50 755 09	
	Bearing, main -- .030 U.S.	50 755 10	

7 CRANKCASE



INDEX LTR.	DESCRIPTION VARIATION NUMBER	PART NUMBER	QTY.	INDEX LTR.	DESCRIPTION VARIATION NUMBER	PART NUMBER	QTY.
B2	Bearing, rear -- Std. 1,7,8	240585	1	K1	Valve, intake 1,7,8	241399	4
	Bearing, rear -- .002 U.S.	240586		K2	Valve, exhaust 1,7,8	240360	4
	Bearing, rear -- .010 U.S.	240587		L	Spring, valve 1,7,8	241023	8
	Bearing, rear -- .020 U.S.	240588		M	Rotator, valve 1,7,8	240702	8
	Bearing, rear -- .030 U.S.	240589		N	Piston - assembly -- Std. (Includes pin & retainer) 1,7,8	31 074 11	4
C1	Cap, main bearing (Front & Center) 1,7,8	240094 (Discont'd.)	2		Piston - assembly -- .010 (Includes pin & retainer)	31 074 13	
C2	Cap, main bearing (Rear) 1,7,8	240399 (Discont'd.)	1		Piston - assembly -- .020 (Includes pin & retainer)	31 074 14	
D	Screw, main bearing cap 1,7,8	240097	6		Piston - assembly -- .030 (Includes pin & retainer)	31 074 15	
E	Guide, valve 1,7,8	241019	8	O	Retainer, piston pin 1,7,8	230004	8
F	Insert, exhaust valve 1,7,8	240008	4	P1	Ring set -- Std. 1,7,8	31 108 05	4
G1	Bushing, camshaft (Front) 1,7,8	240018	1		Ring set -- .010	31 108 06	
G2	Bushing, camshaft (Center & Rear) 1,7,8	240020	2		Ring set -- .020	31 108 07	
H	Plug, expansion 1,7,8	X-230-14	4		Ring set -- .030	31 108 08	
J	Keeper, valve (pr.) 1,7,8	41 755 10	8	P2	Ring, retaining 1,7,8	240397	1

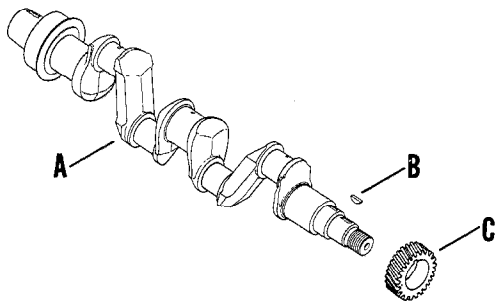
7.8.9.10.12

ILLUSTRATION ON GRID A14

7.8.9.10.12

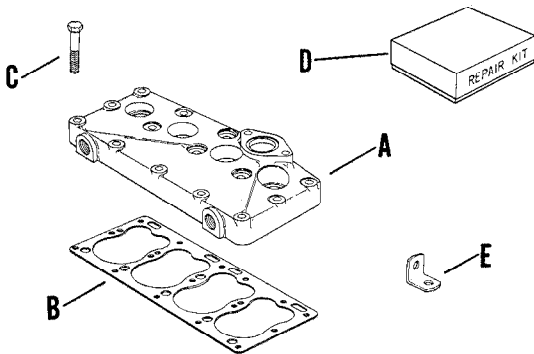
INDEX LTR.	DESCRIPTION VARIATION NUMBER	PART NUMBER	QTY.
Q	Gasket, generator adapter 1,7,8	240396	1
R	Guard, generator fan 1,7,8	241122	1
S	Bracket, generator 1,7,8	240599-S	1
T1	Seal, rear bearing 1,7,8	240401	2
T2	Seal, rear oil 1,7,8	240178	1
U	Trough, oil 1,7,8	240177	1
V	Elbow 1,7,8	A-822	1

8 CRANKSHAFT



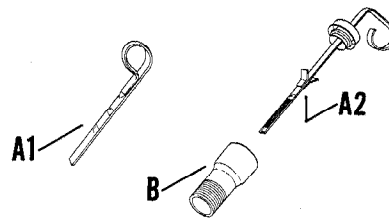
INDEX LTR.	DESCRIPTION VARIATION NUMBER	PART NUMBER	QTY.
A	Crankshaft 3	241337	1
B	Key, woodruff 3	X-45-1	1
C	Gear, drive 3	240138	1

9 CYLINDER HEAD



INDEX LTR.	DESCRIPTION VARIATION NUMBER	PART NUMBER	QTY.
Use stock of original part number before ordering replacement.			
A	Head, cylinder 4,8,9	240957-2	1
B	Gasket, head 4,8,9	241453	1
C	Screw, hex. hd. 3/8 - 16 x 2-1/8 4	240158	13
	8	240158	14
	9	240158	12
	Screw, hex. hd. 3/8 - 16 x 2-1/4 9	271077	2
D	Kit, repair 4	241216-S	1
E	Strap, lifting 8,9	241519	1

DIPSTICK 10



INDEX LTR.	DESCRIPTION VARIATION NUMBER	PART NUMBER	QTY.
A1	Dipstick 2,4	241271	1
A2	Dipstick 2,3,4	241439	1
B	Tube, oil fill 2,3,4	237012	1

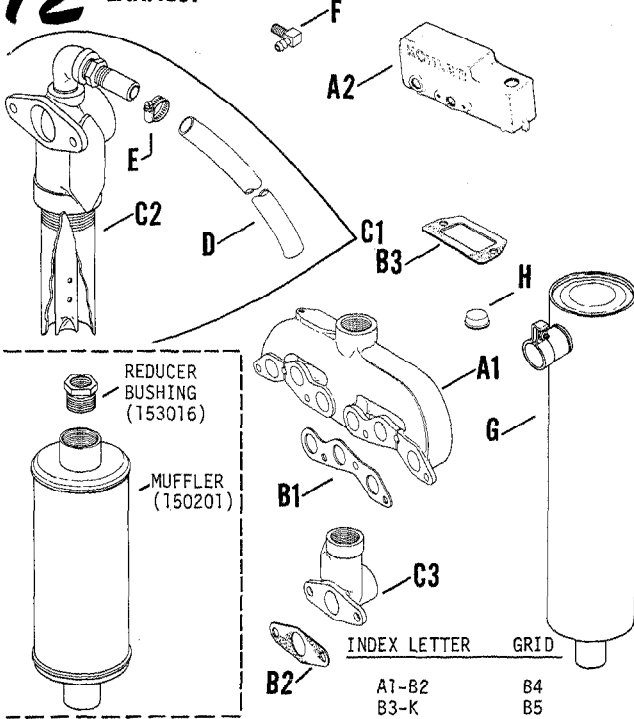
ILLUSTRATION ON GRID B5 EXHAUST 12

INDEX LTR.	DESCRIPTION VARIATION NUMBER	PART NUMBER	QTY.
A1	Manifold 28,29	240166	1
A2	Manifold - assembly (Includes B3) 30	A-241266	1
B1	Gasket, manifold flange ALL	240165	2
B2	Gasket, exhaust elbow 5,30	241254	1

12.14.17

12.14.17

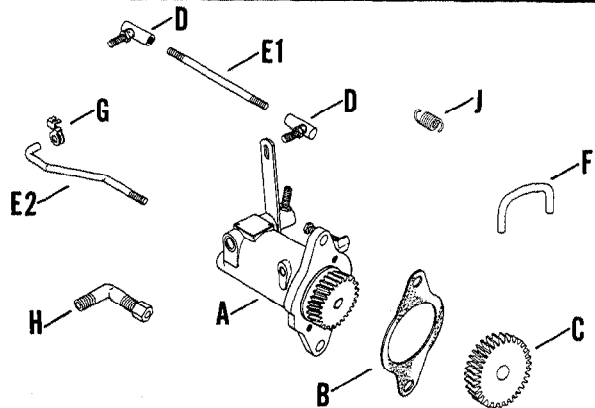
12 EXHAUST



INDEX LTR.	DESCRIPTION VARIATION NUMBER	PART NUMBER	QTY.
A	Pump, fuel 7,30,31	A-241196	1
B	Gasket, fuel pump 7,29,30,31	240260	1
C	Repair kit, fuel pump 7,30	241197	1
D	Cover 29	285601	1
E	Line, fuel 30	241344	1
F	Connector 7,30	D-244	1
G	Valve, shut-off 30	270724	1
H	Connector 31	X-296-1	1
J	Nipple 31	X-773-1	1
K	Elbow, Street 31	256025	1
L	Valve, fuel 31	47 462 02	1

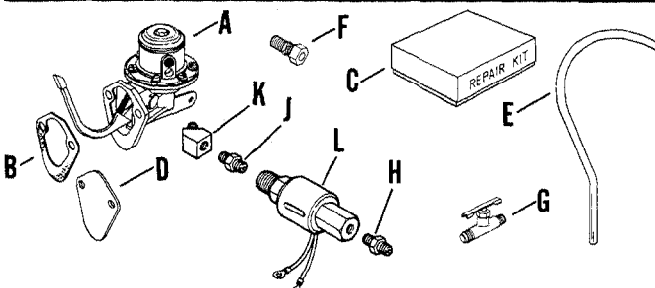
INDEX LTR.	DESCRIPTION VARIATION NUMBER	PART NUMBER	QTY.
B3	Gasket, manifold 30	241274	2
C1	Elbow, exhaust - assembly (Includes C2, D & E) 5	A-241322	1
C2	Elbow, exhaust 5	241292	1
C3	Elbow, exhaust 30	241220	1
D		X-312-27	1
E		X-426-3	3
F		X-391-1	1
G	Muffler 100	241316	1
H	Cap, protective 28,29,30,100	244638	1

GOVERNOR 17



INDEX LTR.	DESCRIPTION VARIATION NUMBER	PART NUMBER	QTY.
A	Governor - assembly (1800 RPM) 28,29	50 310 01	1
	Governor - assembly (1500 RPM) 30,31	D-240678	1
B	Gasket, governor ALL	240195	1
C	Gear, governor ALL	240818	1

FUEL PUMP 14



17.18

ILLUSTRATION ON GRID B2

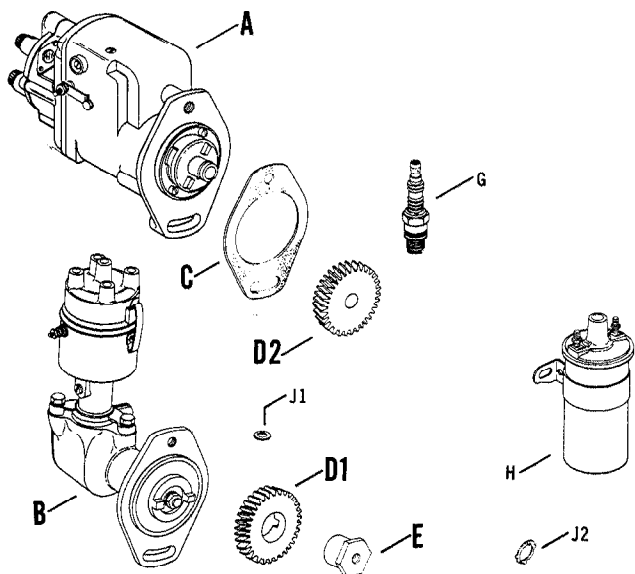
ILLUSTRATION ON GRID B4

17.18

INDEX LTR.	DESCRIPTION VARIATION NUMBER	PART NUMBER	QTY.
D	Ball joint ALL	237130	2
E1	Rod, throttle 28,30	X-352-8	1
E2	Rod, throttle 29,31	241408	1
F	Line ALL	240699	1
G	Clip, retainer 29,31	241409	1
H	Elbow 28,30	A-822	1
	29,31	A-822	2
J	Spring, governor 28,29	240216	1
	30,31	240858	1

INDEX LTR.	DESCRIPTION VARIATION NUMBER	PART NUMBER	QTY.
D2	Gear, magneto -- Std. 28,29	240591	1
E	Nut, distributor drive gear 6	241209	1
F	Kit, spark plug cable 6,28,29	238057 Not Shown	
G	Plug, spark (Solid post) 6,28	270321-S	4
	Plug, spark (Resistor) 29	41 132 06	4
H	Coil, ignition 6	241213	1
J1	Washer 6,28,29	270889	1
J2	Washer 28,29	153963-1	1

18 IGNITION



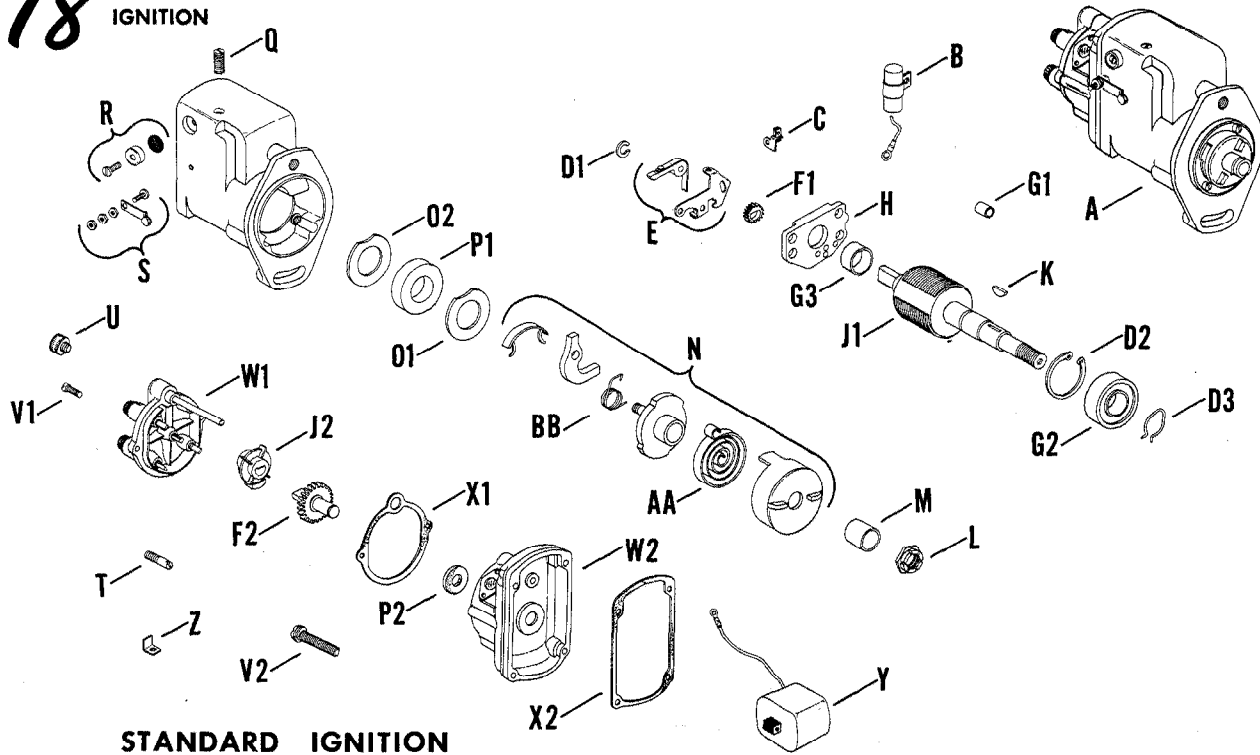
INDEX LTR.	DESCRIPTION VARIATION NUMBER	PART NUMBER	QTY.
A	Magneto - assembly 28,29	A-241366	1
B	Condenser 28,29	266562	1
C	Wick and holder 28,29	A-266311	1
D1	Ring, fulcrum pin snap 28,29	153981	1
D2	Ring, rotor end bearing snap 28,29	153982	1
D3	Ring, rotor gear snap 28,29	153983	1
E	Points, breaker - Set 28,29	266240	1
F1	Gear, rotor 28,29	241070	1
F2	Gear, distributor shaft 28,29	241498	1
G1	Bearing 28,29	153886	1
G2	Bearing, rotor drive end 28,29	153888	1

STANDARD & DISTRIBUTOR IGNITION

SHIELDED IGNITION PAGE 18.3

INDEX LTR.	DESCRIPTION VARIATION NUMBER	PART NUMBER	QTY.
A	Magneto - assembly -- Std. 28,29	A-241366	1
B	Kit, distributor & housing 6	A-241211	1
C	Gasket, magneto & distributor mounting 6,28,29	240295	1
D1	Gear, distributor 6	240294	1

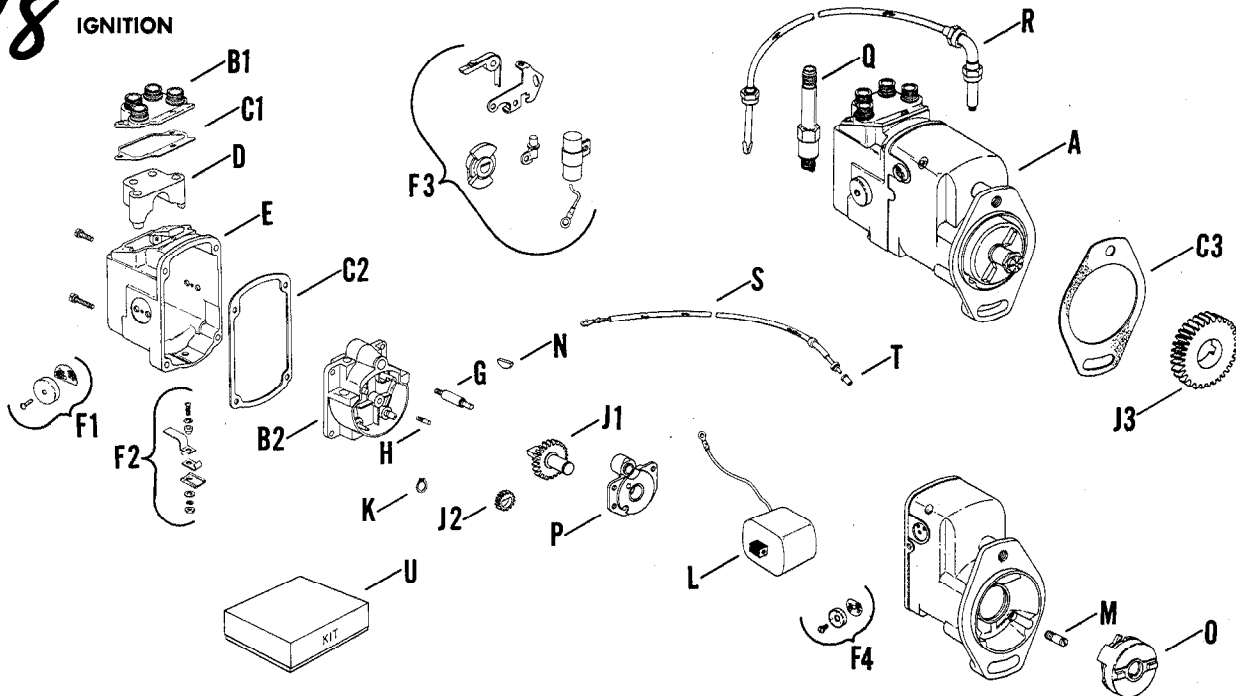
IGNITION



STANDARD IGNITION

INDEX LTR.	DESCRIPTION VARIATION NUMBER	PART NUMBER	QTY.	INDEX LTR.	DESCRIPTION VARIATION NUMBER	PART NUMBER	QTY.
G3	Bearing, rotor cam end 28,29	270759	1	R	Kit, housing screen 28,29	241516 (Discont'd.)	2
H	Support, bearing 28,29	241177	1	S	Switch, ground 28,29	266833	1
J1	Rotor, magnetic 28,29	241497	1	T	Pin, pawl stop 28,29	241175	1
J2	Rotor, distributor 28,29	241047	1	U	Knob, cable outlet 28,29	266475	4
K	Key, impulse 28,29	266285	1	V1	Screw, end cap cover 28,29	266298	2
L	Nut, coupling 28,29	270773	1	V2	Screw, end cap cover #8 - 32 x 9/16 28,29	241131	4
M	Bushing, gear 28,29	270758	1	W1	Cap, distributor 28,29	241455	1
N	Coupling, impulse (Includes AA & BB) 28,29	241173	1	W2	Cap, end 28,29	A-241057	1
O1	Washer, rotor seal (Outer) 28,29	153995 (Discont'd.)	1	X1	Gasket, distributor cap 28,29	266906	1
O2	Washer, rotor seal (Inner) 28,29	266264	1	X2	Gasket, end cover cap 28,29	153996	1
P1	Seal, rotor drive end 28,29	153890 (Discont'd.)	1	Y	Coil 28,29	241045	1
P2	Seal, distributor shaft 28,29	241501	1	Z	Clip, rotor spring 28,29	266769	1
Q	Setscrew, coil 1/4 - 20 x 7/8 28,29	241181 (Discont'd.)	2	AA	Spring 28,29	153957-1	1
				BB	Spring 28,29	266319	2

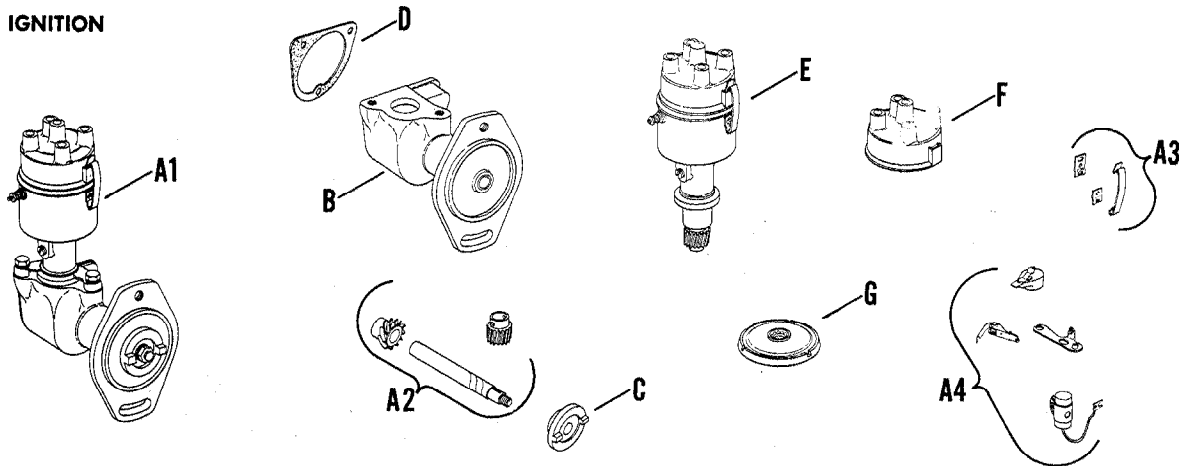
IGNITION



SHIELDED IGNITION

INDEX LTR.	DESCRIPTION VARIATION NUMBER	PART NUMBER	QTY.	INDEX LTR.	DESCRIPTION VARIATION NUMBER	PART NUMBER	QTY.
A	Magneto - assembly (Includes B1-C2, D-J2, K-P)	50 138 04	1	J3	Gear, magneto	240591	1
B1	Cover, end cap	153978	1	K	Ring, rotor gear retaining	153981	1
B2	Cover, distributor	153991	1	L	Coil, magneto	241045	1
C1	Gasket, end cap cover	153977-1	1	M	Pin, pawl stop	241175	1
C2	Gasket, end cap	153996-1	1	N	Key	266285	1
C3	Gasket, mounting	241190	1	O	Coupling, impulse	241173	1
D	Block, guide	241139	1	P	Support, bearing	241177	1
E	Cap, end	153986	1	Q	Plug, spark	240705-S	4
F1	Kit, end cap screen	241515	1	R	Cable, spark plug #1 & #3	240340-A	2
F2	Kit, ground strap	241517	1		Cable, spark plug #4	240341-A	1
F3	Kit, ignition	241518	1		Cable, spark plug #2	240342-A	1
F4	Kit, housing screen	241516 (Discont'd.)	1	For complete cable set order Kit #240339			
G	Rod, high tension	153979-1	1	S	Wire, ground	7012-8	1
H	Brush and spring	153922	1	T	Insulator, lead	153970	1
J1	Gear, distributor shaft	153889	1	U	Kit, shielded magneto conversion	241200	1
J2	Gear, rotor	241070	1				

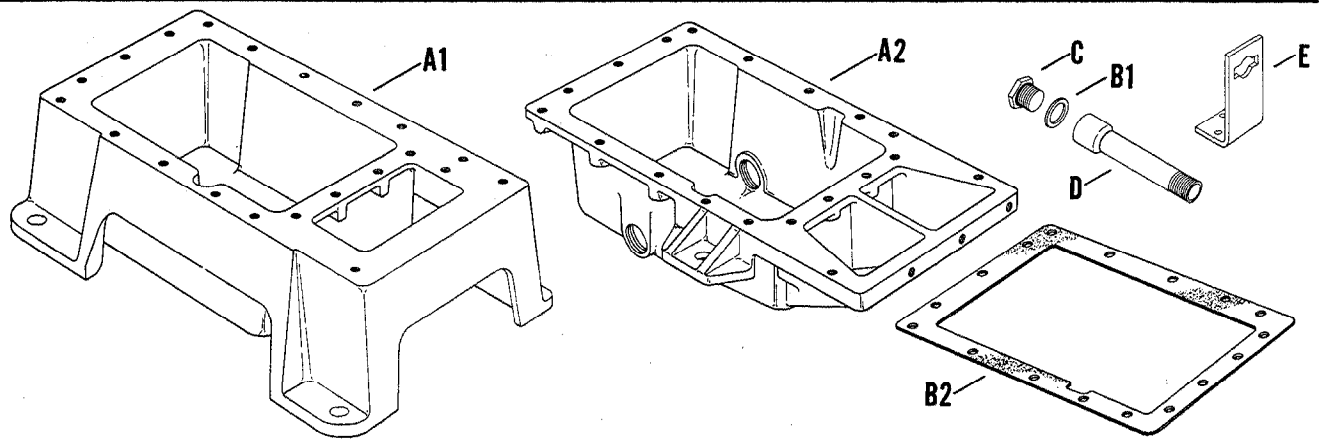
18 IGNITION



DISTRIBUTOR IGNITION

INDEX LTR.	DESCRIPTION VARIATION NUMBER	PART NUMBER	QTY.	INDEX LTR.	DESCRIPTION VARIATION NUMBER	PART NUMBER	QTY.
A1	Kit, distributor & housing 6	A-241211	1	C	Coupling, drive shaft 6	241511 (Discont'd.)	1
A2	Kit, gear 6	241512 (Discont'd.)	1	D	Gasket 6	241508	1
A3	Kit, spring & clip 6	241513	1	E	Distributor 6	A-241490 (Discont'd.)	1
A4	Kit, ignition 6	241514	1	F	Cap, distributor 6	241491	1
B	Housing 6	241507	1	G	Cover, housing 6	241492	1

21 OIL PAN



INDEX LTR.	DESCRIPTION VARIATION NUMBER	PART NUMBER	QTY.	INDEX LTR.	DESCRIPTION VARIATION NUMBER	PART NUMBER	QTY.
A1	Pan, oil 5	240893	1	B1	Gasket, drain plug 5	241063	1
A2	Pan, oil 17,18,21	241251	1	B2	Gasket, oil pan 5,17,18,21	240403	1

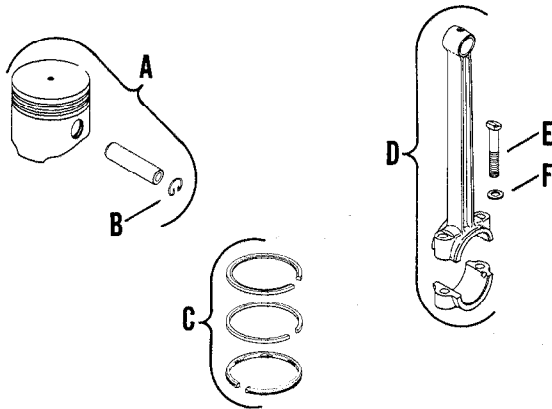
21, 22, 25, 26

ILLUSTRATION ON GRID B6

21, 22, 25, 26

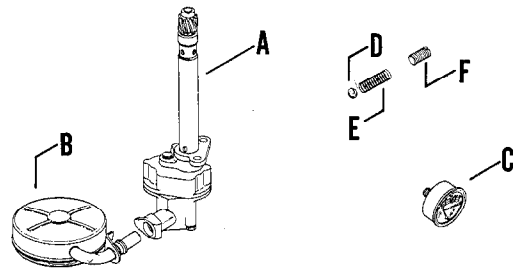
INDEX LTR.	DESCRIPTION VARIATION NUMBER	PART NUMBER	QTY.
C	Plug, drain 5	241062	1
D	Tube, oil drain 5	241065	1
E	Bracket, crank 5	240892	1

22 PISTON AND ROD



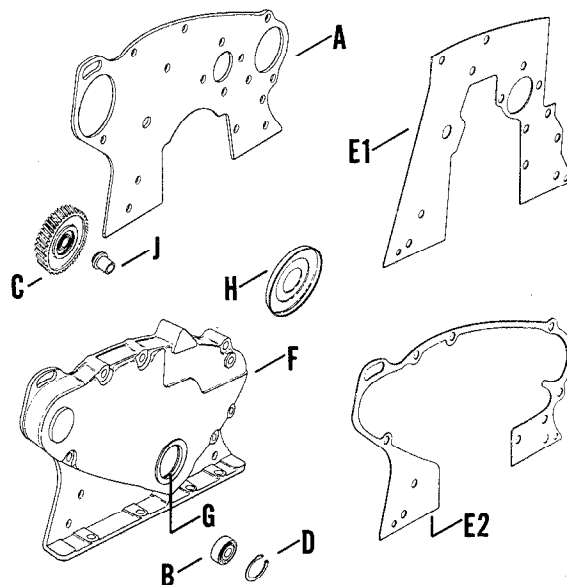
INDEX LTR.	DESCRIPTION VARIATION NUMBER	PART NUMBER	QTY.
A	Piston - assembly -- Std. (Includes pin and retainer) 28	31 074 11	4
	Piston - assembly -- .010 (Includes pin and retainer)	31 074 13	
	Piston - assembly -- .020 (Includes pin and retainer)	31 074 14	
	Piston - assembly -- .030 (Includes pin and retainer)	31 074 15	
B	Retainer, piston pin 28	230004	8
C	Ring set -- Std. 28	31 108 05	4
	Ring set -- .010	31 108 06	
	Ring set -- .020	31 108 07	
	Ring set -- .030	31 108 08	
D	Rod, connecting - assembly (Includes E & F) 28	A-241380	4
	Rod, connecting - assembly .010	A-241380-11	
E	Screw, connecting rod 28	241317	8
F	Washer, connecting rod 28	231258	8

OIL PUMP 25



INDEX LTR.	DESCRIPTION VARIATION NUMBER	PART NUMBER	QTY.
A	Pump, oil 4	A-241248	1
B	Float, pump 4	240118	1
C	Gauge, oil pressure 4	240981	1
D	Ball, steel 4	X-212-3	1
E	Spring, relief valve 4	50 189 01	1
F	Screw, relief valve 4	277694	1

GEAR COVER 26



26,31,32,41

26,31,32,41

ILLUSTRATION ON GRID B7

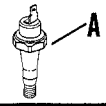
INDEX LTR.	DESCRIPTION VARIATION NUMBER	PART NUMBER	QTY.
A	Plate, front support 28	240128	1
B	Bearing, idler gear 28	240132	1
C	Gear, idler 28	240133	1
D	Ring, snap 28	7035	2
E1	Gasket, front support 28	240127-1	1
E2	Gasket, gear cover 28	240140	1
F	Cover, gear 28	241376	1
G	Seal, front oil 28	240143	1
H	Slinger, front oil 28	240139	1
J	Bushing, idler gear 28	240130	1

31 HIGH TEMPERATURE CUTOUT



INDEX LTR.	DESCRIPTION VARIATION NUMBER	PART NUMBER	QTY.
A	Switch, temperature 1	240976	1
	2	241308	1
	3	241481	1

32 OIL PRESSURE CUTOUT



INDEX LTR.	DESCRIPTION VARIATION NUMBER	PART NUMBER	QTY.
A	Switch, oil pressure 1	240978	1

41 SHORT BLOCK

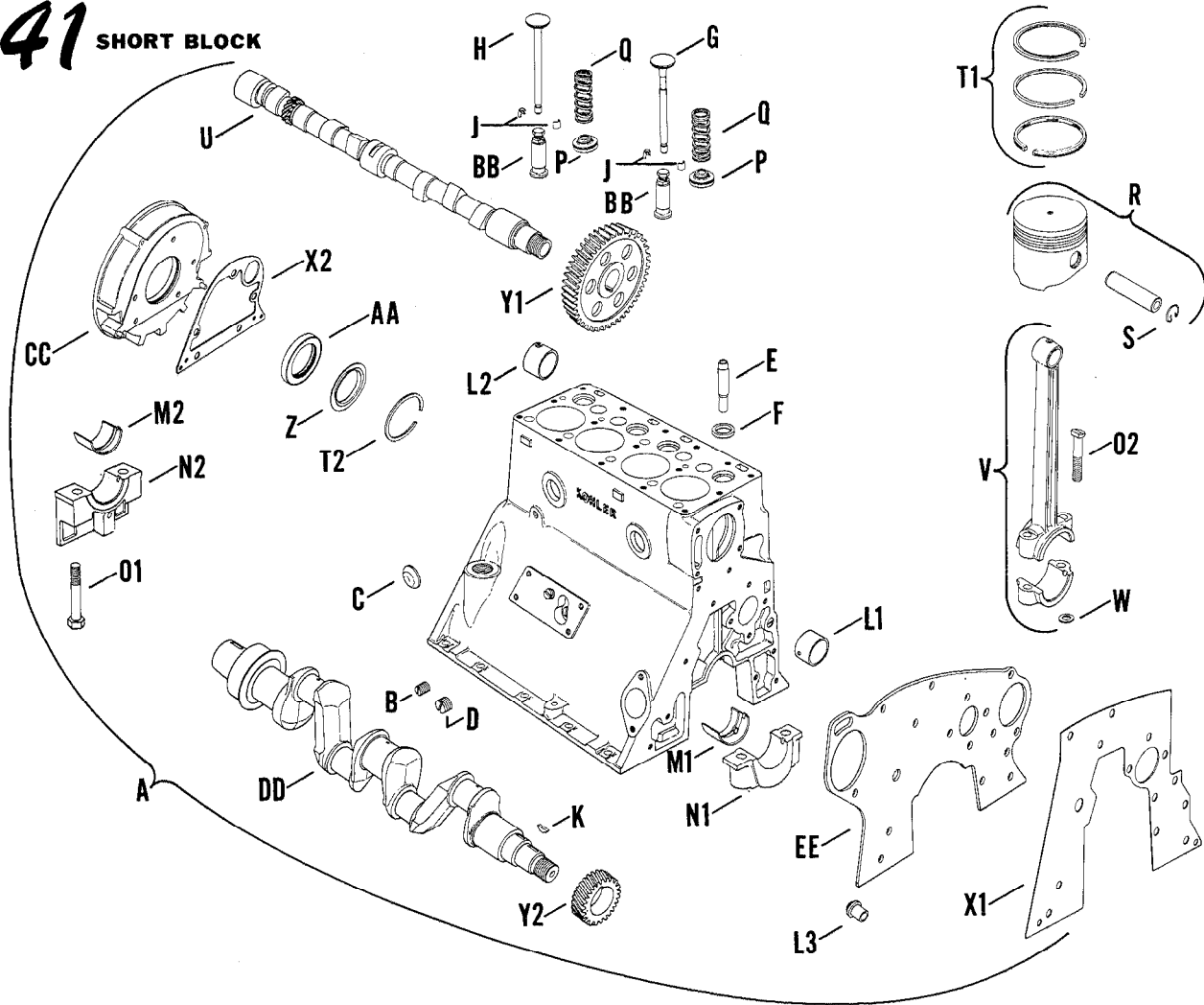
ILLUSTRATION ON GRID B9

INDEX LTR.	DESCRIPTION VARIATION NUMBER	PART NUMBER	QTY.
A	Short Block - assembly (Includes B thru EE) 1	A-241463	1
B	Plug 1/8 1	X-75-17	5

INDEX LTR.	DESCRIPTION VARIATION NUMBER	PART NUMBER	QTY.
C	Plug, expansion 1	X-230-14	4
D	Plug 1	240299 (Discont'd.)	2
E	Guide, valve 1	241019	8
F	Insert, exhaust valve 1	240008	4
G	Valve, intake 1	241399	4
H	Valve, exhaust 1	240360	4
J	Keeper, valve (pr.) 1	41 755 10	8
K	Key, woodruff 1	X-45-1	1
L1	Bushing, camshaft (Front) 1	240018	1
L2	Bushing, camshaft (Center & Rear) 1	240020	2
L3	Bushing, idler gear 1	240130	1
M1	Bearing, main -- Std. (pr.) (Front & Center) 1	50 755 06	2
	Bearing, main -- .002 U.S.	50 755 07	
	Bearing, main -- .010 U.S.	50 755 08	
	Bearing, main -- .020 U.S.	50 755 09	
	Bearing, main -- .030 U.S.	50 755 10	
M2	Bearing, rear -- Std. (pr.) 1	240585	1
	Bearing, rear -- .002 U.S.	240586	
	Bearing, rear -- .010 U.S.	240587	
	Bearing, rear -- .020 U.S.	240588	
	Bearing, rear -- .030 U.S.	240589	
N1	Cap, main bearing (Front & Center) 1	240094 (Discont'd.)	2
N2	Cap, main bearing (Rear) 1	240399 (Discont'd.)	1
O1	Screw, main bearing 1	240097	6
O2	Screw, connecting rod 1	241317	8
P	Rotator, valve spring 1	240702	8
Q	Spring, valve 1	241023	8
R	Piston - assembly -- Std. (Includes pin & retainer) 1	31 074 11	4

(R-CONTINUED NEXT PAGE)

41 SHORT BLOCK



INDEX LTR.	DESCRIPTION VARIATION NUMBER	PART NUMBER	QTY.	INDEX LTR.	DESCRIPTION VARIATION NUMBER	PART NUMBER	QTY.
(R-CONTINUED)				T2	Ring, retaining 1	240397	1
	Piston - assembly -- .010 (Includes pin & retainer)	31 074 13		U	Camshaft 1	241532	1
	Piston - assembly -- .020 (Includes pin & retainer)	31 074 14		V	Rod, connecting - assem.--Std. (Includes O2 & W) 1	A-241380	4
	Piston - assembly -- .030 (Includes pin & retainer)	31 074 15			Rod, connecting - assembly .010 U.S. (Includes O2 & W)	A-241380-10	
S	Retainer, piston pin 1	230004	8	W	Washer, connecting rod 1	231258	8
T1	Ring set -- Std. 1	31 108 05	4	X1	Gasket, front support 1	240127-1	1
	Ring set -- .010	31 108 06		X2	Gasket, generator bracket 1	240396	1
	Ring set -- .020	31 108 07					
	Ring set -- .030	31 108 08					

41,109,201

ILLUSTRATION ON GRID B9

41,109,201

INDEX LTR.	DESCRIPTION VARIATION NUMBER	PART NUMBER	QTY.
Y1	Gear, camshaft 1	240135	1
Y2	Gear, crankshaft 1	240138	1
Z	Trough, oil 1	240177	1
AA	Seal, rear oil 1	240178	1
BB	Tappet, valve 1	D-240327	8
CC	Bracket, generator support 1	240599-S	1
DD	Crankshaft 1	241337	1
EE	Plate, front support 1	240128	1

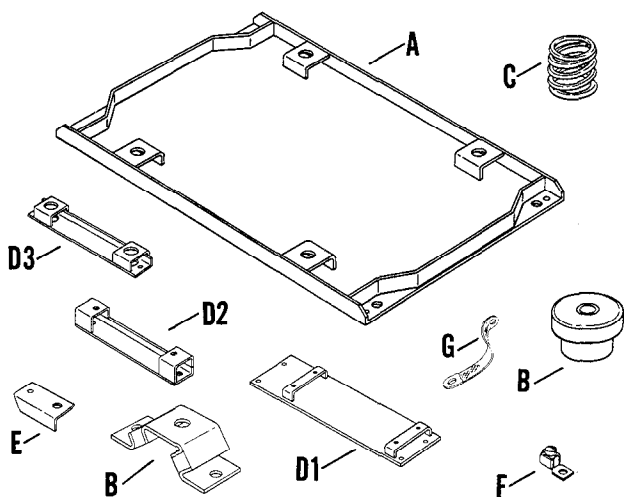
INDEX LTR.	DESCRIPTION VARIATION NUMBER	PART NUMBER	QTY.
E	Support, housing 7	288931	2
	7	288932	2
F	Terminal, grounding 3,6,7,8	X-377-11	1
G	Strap, ground 3,8	245297	1

GENERATOR & MOUNTING 201

ILLUSTRATION ON GRID B11

INDEX LTR.	DESCRIPTION VARIATION NUMBER	PART NUMBER	QTY.
A	Key, woodruff #15 ALL	X-45-3	1
B	Bolt, thru 52,57,89,90,95	242196	1
	74,75,81,83,88,92,99,100, 104,105,107,109,	242292	1
	84,85,91,93	242952	1
	86,103	242754	1
	87,96,101,102	242996	1
C	Fan, generator ALL	242312	1
D	Shim brush ring ALL	242298	A.R.
	ALL	242299	A.R.
E	Cover, generator 52,57,74,75,81,83,87,88,89 90,92,95,96,99,100,101,102, 104,105,107,109	242365	1
	84,85	242592	1
	86,103	242753	1
	91,93	242246	1
F	Terminal, grounding 86	X-377-11	1

109 SKID & PLANT MOUNTING

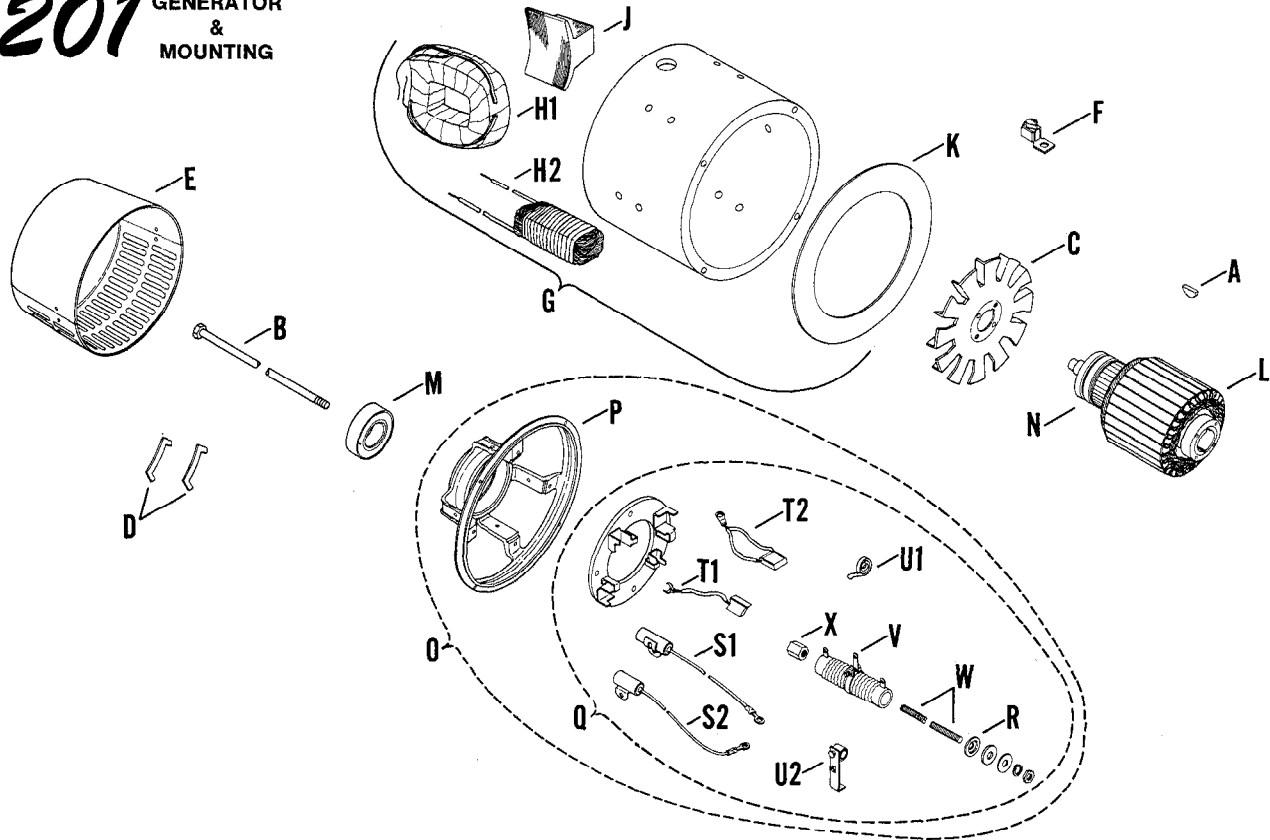


INDEX LTR.	DESCRIPTION VARIATION NUMBER	PART NUMBER	QTY.
A	Skid 3	241286	1
B1	Damper, vibro 3	258021	4
B2	Damper, vibro 4	241314	(Discon'd)
C	Spring, vibro mount 8	277617	4
D1	Support, engine 4	241315	2
D2	Support, engine 6,7	241382	2
D3	Support, engine 8	241461	2

G	Frame, generator - assembly (Includes H1, J & K) 52,57,89,90,95	A-242556 (Discon'd.)	1
	74,75,81,83,92,99,100,104 105,107,109	B-252238 (Discon'd.)	1
	86,88,103	A-252251 (Discon'd)	
	87,101,102	B-242517	1
	96	A-252113 (Discon'd)	
	Frame, generator - assembly (Includes H1,H2,J & K) 84,91	A-252245 (Discon'd)	
	85,93	A-252246 (Discon'd)	
H1	Coil, field 52,57,89,90,95	A-242390	4
	74,75,81,83,92,99,104, 105,107,109,	B-242351	4

(H1-CONTINUED NEXT PAGE)

201 GENERATOR & MOUNTING



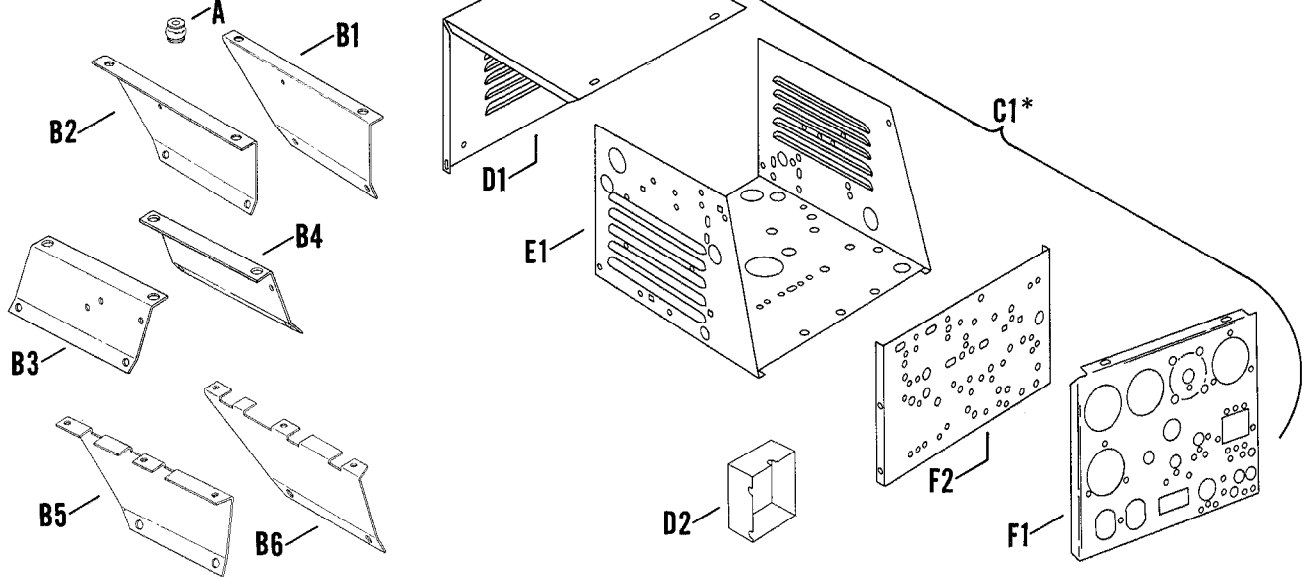
INDEX LTR.	DESCRIPTION	VARIATION NUMBER	PART NUMBER	QTY.	INDEX LTR.	DESCRIPTION	VARIATION NUMBER	PART NUMBER	QTY.
(H1-CONTINUED)					(L-CONTINUED)				
		84,91	A-242967	4			75,81,104,109	C-242353	1
		85,93	A-242949	4			84,91	B-242993 (Discon'd)	
		86,88,103	B-242320	4			85,93	B-242951	1
		87,96,101,102	B-242027	4			86,103	E-252265	1
H2	Coil, interpole						87,96	C-242239	1
		84,85,91,93	A-242958 (Discon'd)				88	C-242806	1
		84,91	A-242953 (Discon'd)				90,95	B-242814	1
		85,93	A-242946	2			92,99	A-242468	1
J	Pole, field						100	A-242466 (Discon'd)	
		52,57,89,90,95	A-242391	4			101	C-242256	1
		74,75,81,83,92,99,100,104,105,107,109	A-242366	4			102	C-242245	1
		84,85,91,93	242966	4					
		86,88,103	A-242804	4	M	Bearing, ball			
		87,96,101,102	A-242787	4		ALL	X-758-1	1	
K	Baffle, air				N	Ring, collector			
	ALL		242294	1		52,74,83,89,100,102	242860-S	1	
L	Armature - assembly					57,75,81,86,87,88,90,92,95,96,99,101,103,104,105,107,109	242160	1	
		52,89	B-242820	1		86,103	267239	4	
		57	B-242767	1					
		74,83,105	A-242436	1	O	Bracket, end - assembly (Includes P & Q)			
						52,89	A-242395	1	

(O-CONTINUED NEXT PAGE)

INDEX LTR.	DESCRIPTION VARIATION NUMBER	PART NUMBER	QTY.	INDEX LTR.	DESCRIPTION VARIATION NUMBER	PART NUMBER	QTY.
(O-CONTINUED)	57,90,95	A-242426	1	S2	Condenser 100V. D.C. 52,57,89,90,95	232413	A.R.
	74,83,100,102	B-252156	1		74,75,81,83,84,86,87,88, 91,92,96,99,100,101,102, 103,104,105,107,109	232411	A.R.
	75,81,87,88,92,96,99,101, 104,107,109	B-252214	1	T1	Brush A.C. 52,57,89,90,95	242189	A.R.
	84,91	A-242570	1		74,75,81,83,86,87,88,92, 96,99,100,101,102,103,104 105,107,109	266822	A.R.
	85,93	A-242630	1	T2	Brush D.C. 52,57,89,90,95	242230	4
	86,103	A-252211	1		74,75,81,83,86,87,88,92, 96,99,100,101,102,103,104, 105,107,109	266821	4
	105	A-252305 (Discont'd.)	1		84,91	242575	4
P	Bracket, end 52,57,74,75,81,83,87,88, 89,90,92,95,96,99,100,101, 102,104,105,107,109	242830	1		85,93	242643	4
	84,85,91,93	242593	1	U1	Spring, brush 52,57,85,89,90,93,95	242191	A.R.
	86,103	242749	1		84,91	242574	4
Q	Ring, brush - assembly (Includes R,S1,S2,T1,T2,U1, V,W & X) 52,89	B-242396	1	U2	Spring, brush 74,75,81,83,86,87,88,92, 96,99,100,101,102,103,104, 105,107,109	266803	A.R.
	57,90,95	B-242425	1	V	Resistor 1-1/2 ohm 52,57,89,90,95	242392	1
	Ring, brush - assembly (Includes R,S1,S2,T1,T2,U2, V,W & X) 74,83,100,102	C-252157	1		Resistor 3 ohm 74,75,81,83,86,87,88,92, 96,99,100,101,102,103,104, 105,107,109	242698	1
	75,81,87,88,92,96,99,101, 104,107,109	C-252213	1		Resistor 24 ohm 84,91	242577	1
	86,103	B-252210	1		Resistor 160 ohm 85,93	242642	1
	Ring, brush - assembly (Includes R,S2,T2,U1 & V) 84,91	B-242571	1	W	Stud. resistor 52,57,74,75,81,83,86,87, 88,89,90,92,95,96,99,100, 101,102,103,104,105, 107,109	242663	1
	Ring, brush - assembly (Includes R,S1,T2, U1 & V) 85,93	B-242631	1	X	Nut, hex. 52,57,74,75,81,83,86,87,88, 89,90,92,95,96,99,100,101, 102,103,104,105,107,109	242840	1
	Ring, brush - assembly 105	A-252306 (Discont'd.)	1	Y	Guard, generator fan (not shown) 109	241744	1
R	Washer, resistor centering 52,57,84,85,89,90,91,93,95	X-364-4	2				
	74,75,81,83,86,87,88,92,96, 99,100,101,102,103,104,105, 107,109	X-364-2	2				
S1	Condenser 240V. A.C. (R.H.) 52,57,75,81,85,87,88,89, 90,92,93,95,96,99,101,104, 107,109	232414	A.R.				
	Condenser 240V. A.C. (L.H.) 57,74,75,81,83,86,87,88, 90,92,95,96,99,100,101, 102,103,104,105,107,109	232416	A.R.				

301

CONTROLLER & MOUNTING



INDEX LTR.	DESCRIPTION VARIATION NUMBER	PART NUMBER	QTY.	INDEX LTR.	DESCRIPTION VARIATION NUMBER	PART NUMBER	QTY.
A	Mount, vibro 69,70,71,94,115,125,127, 128,129,133,134,135,138, 139,140,141,142,143,146, 148,149,152,153,154,156, 157,158,164,165,166,167, 168,169,170,171	243833	4	B4	Bracket R.H. 80,81,97,99,117,136	245481	1
	Damper, vibro 80,81,97,99,117	223022	4	B5	Bracket R.H. 126,135,147,150,151,152, 155,158,159,160,161,162, 163,174	245592	1
B1	Bracket L.H. 69,70,71,94,133,134,138, 146,148,149,153,154,156,164, 165,169,170,171	245383	1	B6	Bracket L.H. 126,135,147,150,151,152, 155,158,159	245593	1
	115,127,139,140,141,142,143, 167,168,171	243835	1	B7	Bracket R.H. 137,144	246702	(Discon'd)
	125,166	268345	1	B8	Bracket L.H. 137,144	246703	(Discon'd)
	128,129	246895	(Discon'd)	B9	Bracket R.H. (not shown) 163	248935	(Discon'd)
	157	246709	1	B10	Bracket L.H. (not shown) 163	248936	(Discon'd)
B2	Bracket R.H. 69,70,71,94,133,138, 146,148,149,153,154,156, 164,165,169,170,171	245384	1	C1*	Controller - assembly 69,166	C-245414	1
	115,127,139,140,141,142, 143,167,168	243836	1		70,125	D-245379	1
	125,166	268344	1		71	C-245281	1
	128,129	246894	(Discon'd)		94	A-246794	(Discon'd)
	157	246708	1		133	C-245976	(Discon'd)
B3	Bracket L.H. 80,81,97,99,117	245482	1		134	A-245855	(Discon'd)
					138	C-245303	1
					139	C-268655	(Discon'd)

*Complete assembly including panel and all internal parts.

(C1*-CONTINUED NEXT PAGE)

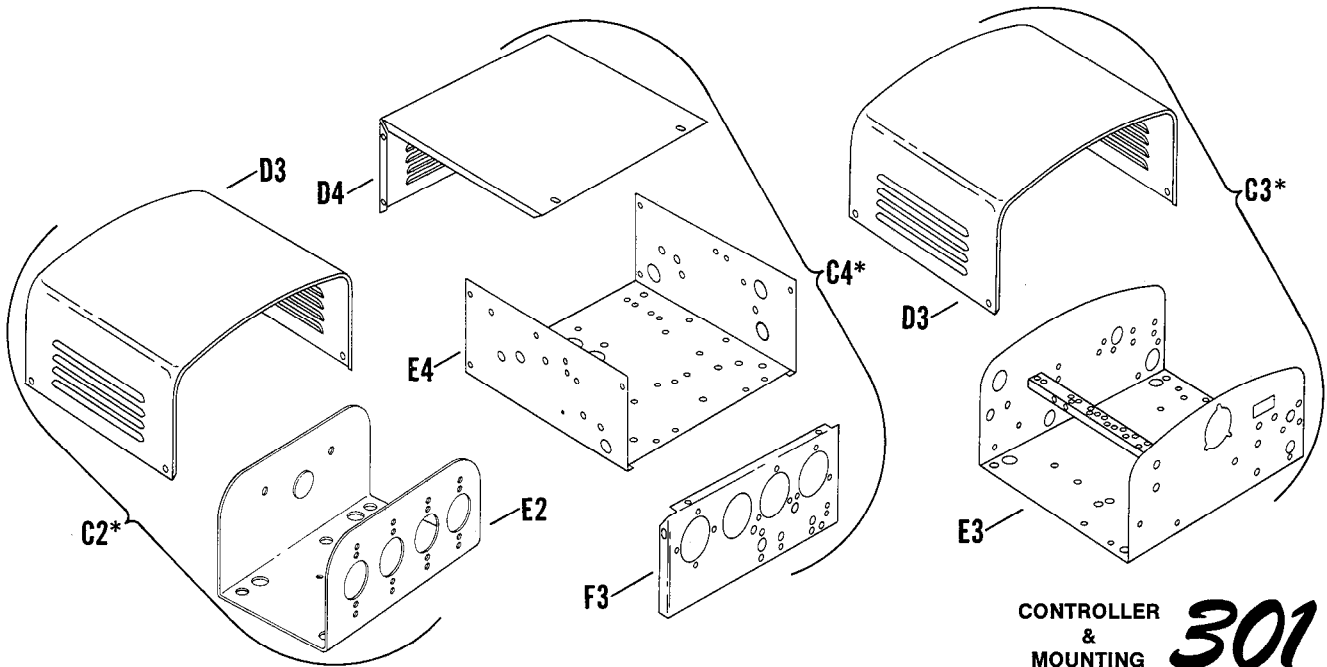
301 CONTROLLER & MOUNTING

ILLUSTRATION ON GRID B13

301

INDEX LTR.	DESCRIPTION VARIATION NUMBER	PART NUMBER	QTY.	INDEX LTR.	DESCRIPTION VARIATION NUMBER	PART NUMBER	QTY.
(C1*-CONTINUED)							
	142	C-248657	(Discon'd)		Controller - assembly 167	A-241652	1
	146	B-245856	1		Controller - assembly 168	A-241650 (Discon't'd)	1
	148	B-248679	(Discon'd)		Controller - assembly 97	B-245483	1
	149,156	B-245855	(Discon'd)	C3*	115	C-246955 (Discon't'd)	1
	153	A-248351	1		127	A-248578 (Discon't'd)	1
	154	B-245862	(Discon'd)		136	A-248652 (Discon't'd)	
	157	A-248746	(Discon'd)		140	A-241652	1
	Controller - assembly 164	B-248975	1		141	D-245544	1
	Controller - assembly 165	A-248986	(Discon't'd)		143	C-246957 (Discon't'd)	
	Controller - assembly 169	B-241644	1	C4*	Controller - assembly 126	A-248566 (Discon't'd)	
	Controller - assembly 170	A-241646	1		135	A-248645 (Discon't'd)	
	Controller - assembly 171	A-241648 (Discon't'd)	1		147	B-248673 (Discon't'd)	
C2*	Controller - assembly 80	C-245892	(Discon't'd)		150	A-245701	1
	81	C-245895	1		151,159	B-248733 (Discon't'd)	
	99	C-245485	(Discon't'd)		152	A-248735 (Discon't'd)	
	117	C-246952	(Discon't'd)		155	B-248354 (Discon't'd)	
					158	A-248750 (Discon't'd)	

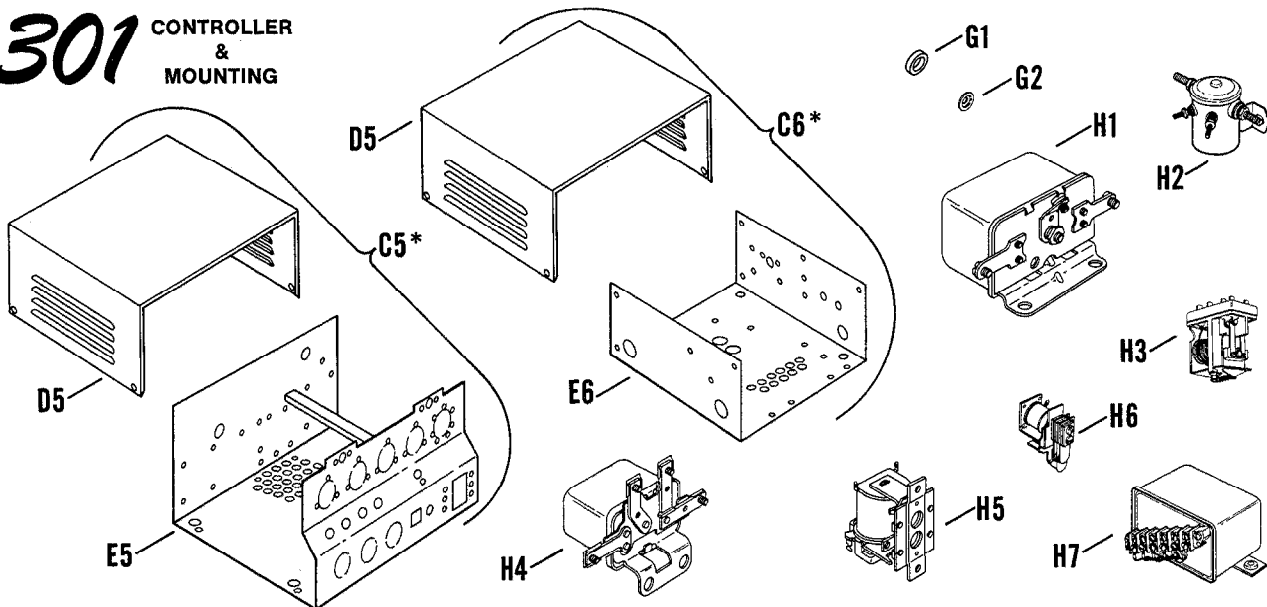
*Complete assembly including panel and all internal parts.



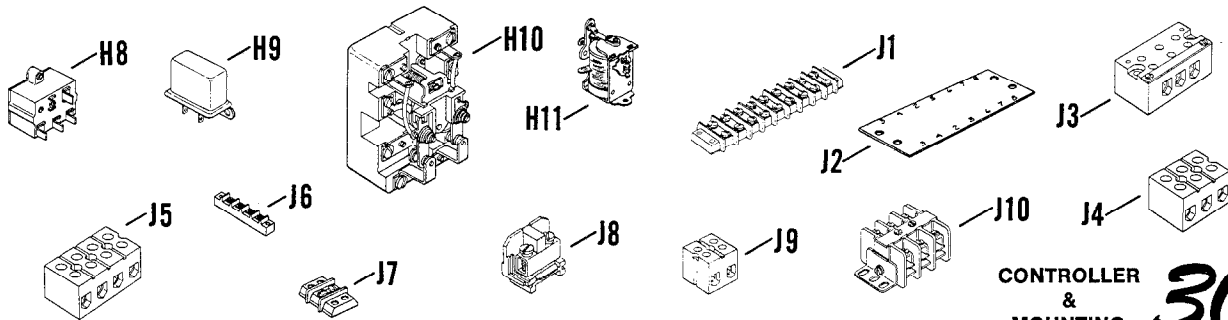
CONTROLLER & MOUNTING **301**

INDEX LTR.	DESCRIPTION VARIATION NUMBER	PART NUMBER	QTY.	INDEX LTR.	DESCRIPTION VARIATION NUMBER	PART NUMBER	QTY.
(C4*-CONTINUED)							
	Controller - assembly 160,163	A-246200	1		137,144	246704 (Discon'd)	
	Controller - assembly 161	A-246201	1	E1	Box, controller 69,70,71,94,125,133,134,138,139,142,146,148,149,153,154,156,157,164,166,169,170,171	245668	1
	Controller - assembly 162	B-248931 (Discon'd)		E2	Box, controller 80,81,99,117	233227	1
	Controller - assembly 174	A-246219 (Discont'd)	1	E3	Box, controller 97,136	233192	1
C5*	Controller - assembly 128	A-248532 (Discon'd)			115,140,141,143,167,168	245465 (Discont'd)	1
C6*	Controller - assembly 137	A-248653 (Discon'd)			127	248610 (Discon'd)	
	144	A-248659 (Discont'd)	1	E4	Box, controller 126,135,147,150,151,152,155,158,159,160,161,162,163,171	245700 (Discon'd)	
D1	Cover, controller 69,70,71,94,125,133,134,138,139,142,146,148,149,153,154,156,157,164,165,166,169,170,171	245381	1	E5	Box, controller 128	246967 (Discon'd)	
D2	Cover, relay dust 69,70,71,94,125,133,138,139,142,166,170,171	245401	1	E6	Box, controller 137,144	245995	1
D3	Cover, controller 80,81,97,99,117,136	243484	1	F1	Panel, control 69,70,71,94,125,133,134,138,139,142,146,148,149,153,154,156,157,164,166,169,170,171	245646	1
	115,127,140,141,143,167,168,172	265310	1	F2	Panel, mounting 69,70,71,94,125,133,134,138,139,142,146,148,149,153,154,156,157	245669	1
D4	Cover, controller 126,135,147,150,151,152,155,158,159,160,161,162,163,174	245529	1	F3	Panel, control 126,135,147,150,151,152,155,158,159,160,161,162,163,174	245527	1
D5	Cover, controller 128	246968 (Discon'd)					

301 CONTROLLER & MOUNTING

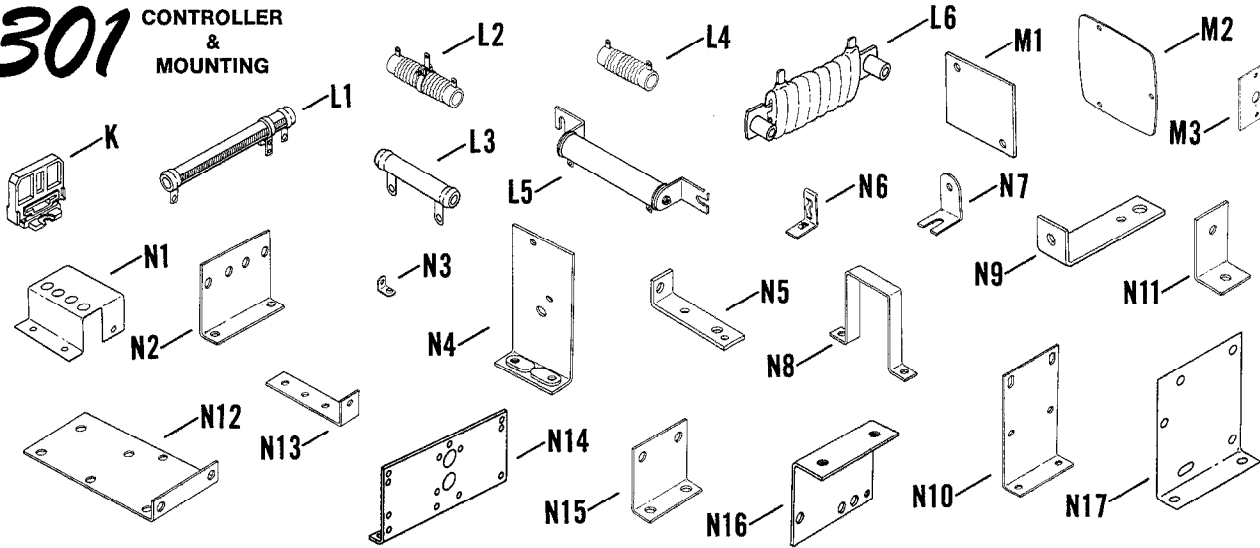


INDEX LTR.	DESCRIPTION VARIATION NUMBER	PART NUMBER	QTY.	INDEX LTR.	DESCRIPTION VARIATION NUMBER	PART NUMBER	QTY.	
G1	Washer, insulating 69,70,71,80,81,94,97,99, 115,117,125,126,127,134, 135,137,138,139,140,141, 142,143,146,147,148,149, 150,151,152,153,154,155, 157,158,159,160,161,162, 163,164,165,166,167,168, 169,170,171,174	243321	A.R.		137,144,157	A-265323	1	
G2	Washer, resistor centering 69,70,71,80,97,115,125, 126,135,136,138,140,141, 143,146,148,149,150,152, 153,154,156,158,160,161, 163,164,165,166,167,168, 169,170,171,174, 69,70,71,115,125,126,135, 136,138,143,146,148,149, 152,153,154,156,158,160, 161,163,164,166,170,171, 174 81,94,99,117,127,128,133, 134,139,142,147,162 115,137,140,141,143,144, 167,168, 139,142,151,155,159,162, 169	X-364-6 X-364-2 X-364-5 X-364-4 X-364-3	A.R. 2 2 A.R. A.R.		H3	Relay 2TS 141,168 Relay (CC,RR) 69,70,71,94,125,138,139, 142,152,158,166,170,171 Relay (CR) 80,81,97,99,115,117,133, 140,141,143,167,168 Relay (CC) 80,81,99,115,117,133, 140,141,143,167,168 Relay (1CR) 137,144,157,162,166,170, 171 Relay (3CR) 167,168	A-233059 A-233059 245588 268149 233808	1 1 1 1 1
H1	Relay (RR) 69,70,71,80,81,94,97,99, 115,117,125,126,133,134, 135,136,138,139,140,141, 142,143,146,147,148,149, 150,151,152,153,154,155, 156,158,159,160,161,162, 163,164,165,166,167,168, 169,170,171,174	245269	1	H4	Relay (1CR) 69,70,71,94,125,126,135, 138,139,142,147,150,151, 153,155,159	233808	1	
H2	Relay, cranking (C) 69,70,71,80,81,94,97,99, 115,117,125,127,128,133, 134,136,138,139,140,142, 143,147,151,152,153,154, 155,158,159,164,165,166, 167,169,170,171 126,135,146,148,149,150, 156	233442 233442	1 1	H5	Relay (1CR) 81,99,117	233808	1	
				H5	Relay (CR3) 115,150,141,143	233808	1	
				H6	Relay (L) 81,99,117	245674	1	
				H7	Relay, over-frequency 94,156	268199	1	
				H8	Relay (TD) 115,117,139,142,143	283778	1	
				H9	Relay (2CR) 115,117,139,142,147,151, 155,159,162 135,150	245748 245445	1 1	



CONTROLLER & MOUNTING **301**

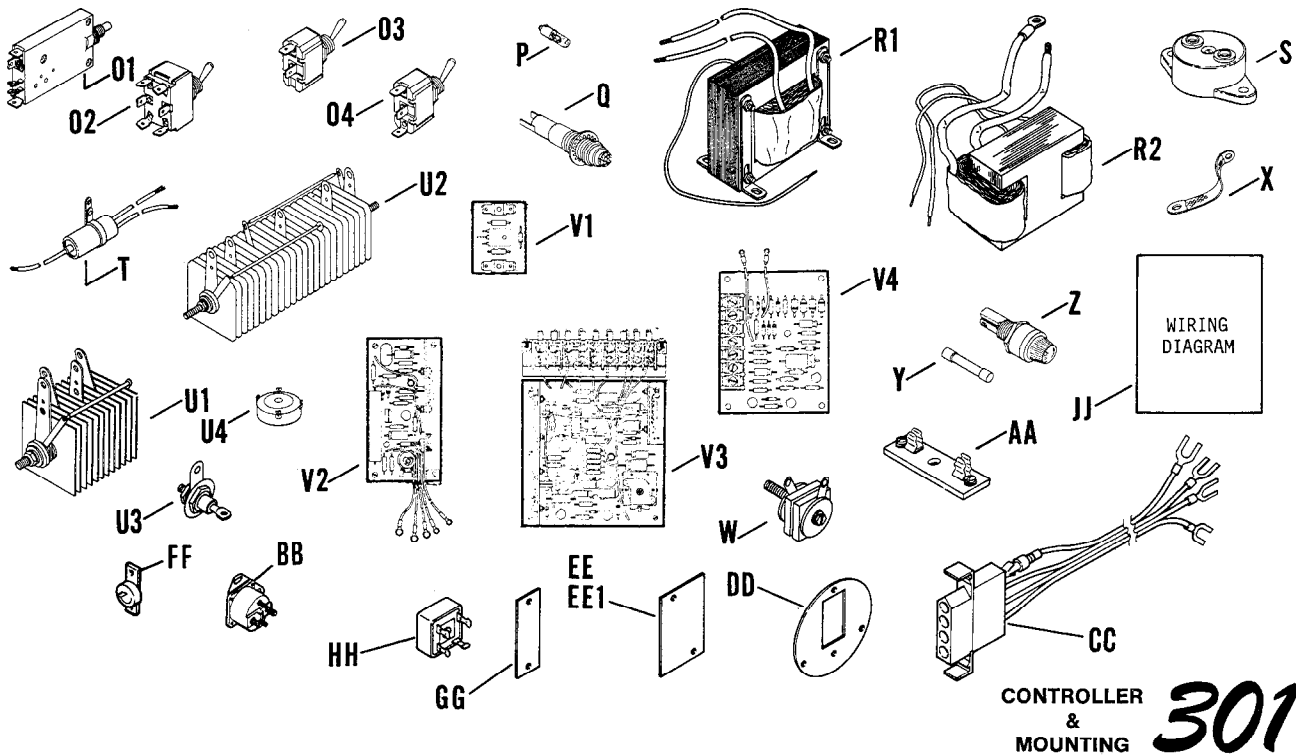
301 CONTROLLER & MOUNTING



INDEX LETTER	GRID
J6-L3	C6
L3-N10	C7
N11-BB	C8

INDEX LTR.	DESCRIPTION VARIATION NUMBER	PART NUMBER	QTY.	INDEX LTR.	DESCRIPTION VARIATION NUMBER	PART NUMBER	QTY.
	Relay (1CR) 115,140,141,143,167,168	245445	A.R.		Strip, terminal (6 terminal) 81,117,152,158	X-405-3	1
	Relay (2CR,CR) 134,154	245445	2		Strip, terminal 115,140,141,143,167,168	283060	1
	Relay (1CR,2CR) 136,146,148,149,156,160,161, 245445 163,164,169,174	245445	2	J1	Strip, terminal (4 terminal) 126,135,150,160,161,163	266618	1
	Relay (4CR) 143	245748	1		Strip, terminal (3 terminal) 136,144,157	223096	1
	Relay (1CR,2CR,3CR) 165	245445	3	J2	Strip, terminal (4 terminal) 69,71,94,138,148,166	245371	1
H10	Relay, power (L) 115,127,128,136,140,141, 143,167,168	248924	1		Strip, terminal 151,155,159	233210	1
H11	Relay (CR2) 141,143,168	243865	1	J3	Block, terminal (3 terminal) 69,115,133,134,139,142, 146,148,149,156,164,165, 166,169,170	245372	1
J	Block, terminal 168	246213	1	J4	Block, terminal (3 terminal) 69,70,80,81,97,99,117, 125,126,133,134,136,138, 139,142,146,147,148,149, 150,151,153,155,156,158, 159,160,162,163,164,165, 166,169,170,171	245448	1
J1	Strip,terminal (2 terminal) 69,70,71,94,115,125,126, 134,135,138,139,142,143, 146,147,148,149,150,151, 152,153,154,155,156,158, 159,160,161,162,163,164, 165,166,169,170,171,174	X-405-2	A.R.		70,71,94,125,126,135,138,147, 150,151,152,153,154,155,158, 159,160,161,162,163,171	245506	1
	Strip, terminal (7 terminal) 69,70,71,94,125,133,134, 138,139,142,146,148,149, 153,156,164,165,166,169, 170,171	245370	1	J5	Block, terminal (4 terminal) 71,94,154	245511	1
	Strip, terminal (5 terminal) 80,97,147,151,155,159,162	244742	1	J6	Block, terminal (4 terminal) 115,117,143	233464	(Discon'd)
				J7	Block, terminal (1 terminal) 127	266369	(Discon'd)

INDEX LTR.	DESCRIPTION VARIATION NUMBER	PART NUMBER	QTY.	INDEX LTR.	DESCRIPTION VARIATION NUMBER	PART NUMBER	QTY.
J8	Block, terminal (1 terminal) 127,128,141,143	284061	A.R.		Resistor, 2.5 ohm (R2,1R2) 151,159	245442	1
J9	Block, terminal (2 terminal) 135,152,161	245756	2		Resistor, 6 ohm (2R2,3R2) 155	X-694-2	2
J10	Block, terminal (3 terminal) 140,167	245224	1		Resistor, 2 ohm (R2,1R2) 155	245421	1
K	End, terminal block 127,128,143	284062	1		Resistor, 2.5 ohm (R2,1R2,2R2) 165	245442	3
	End, terminal block 168	246212	1	L3	Resistor, 125 ohm (R5) 69,70,115,125,139,140,141, 142,166,167,168,170,171	243614	A.R.
L1	Resistor, 30 ohm (R3) 69,70,71,94,125,138,139, 142,152,158,166,169,170, 171	X-473-1	1		Resistor, 25 ohm (R2) 69,70,125,126,134,139,142, 146,149,152,156,158,160, 161,162,163,164,166,169, 170,171	X-475-1	1
	Resistor, 200 ohm (R4) 115,140,141,167,168	243125	1		Resistor, 15 ohm (R2) 71,94,115,136,138,143,148, 150,154	243890	1
	Resistor, 100 ohm (R5) 115,143,167	X-473-3	1		80,81,97,99,117,133	X-474-4	1
	Resistor, 100 ohm (R6) 140,141,168	X-473-3	1		153	X-478-6	1
L2	Resistor, 2.5 ohm (1R2) 69,80,81,97,99,117,133, 134,140,141,146,149,152, 153,156,158,162,164,166, 167,168,169,170	245442	1		Resistor, 50 ohm (R5) 71,94,138	243971	1
	Resistor, 4 ohm (1R2) 70,125,139,142,171	245519	1		Resistor, 30 ohm (R3,R5) 126,135	243614	2
	Resistor, 1.5 ohm (1R2) 71,94,136,138,147,148,150, 154	245291	1		Resistor, 30 ohm (R3) 127	243970	1
	Resistor, 4 ohm (R2) 127,128	245519	1		Resistor, 30 ohm (R3,R4) 134,146,149,156	243614	2



INDEX LTR.	DESCRIPTION VARIATION NUMBER	PART NUMBER	QTY.	INDEX LTR.	DESCRIPTION VARIATION NUMBER	PART NUMBER	QTY.
	Resistor, 4000 ohm (R3) 137	243611	1	N4	Bracket, rectifier mounting 69,70,125,134,139,142,146, 148,149,153,156,164,165, 166,170,171	245382	1
	Resistor, 15 ohm (R4) 137,144	X-474-4	1	N5	Bracket, rectifier 71,94,138,154,167,168	245670	(Discon'd)
	Resistor, 20 ohm (R3) 140,141,167,168	X-472-2	1	N6	Bracket, cover 80,81,97,99,115,117,127, 128,136,140,141,143	265348	4
	Resistor, 20 ohm (R2) 140,141,167,168	265818	1	N7	Bracket, resistor mounting 80,81,97,99,117,126,135, 136,147,150,151,152,155, 158,159	X-363-1	A.R.
	Resistor, 125 ohm (R6) 143	243614	1		127,128,136	X-363-2	2
	Resistor, 50 ohm (R3,R5) 147,150	243971	1	N8	Bracket, mounting 81,99,115,117,140,141, 143,167,168	243796	(Discont'd.) 1
	Resistor, 75 ohm (R3,R4) 148	246181	2	N9	Bracket, rectifier mounting 115,126,135,140,141,143, 147,150,151,152,155,158, 159,160,161,162,163,167, 168	265320	1
	Resistor, 50 ohm (R3) 153	243971	1	N10	Bracket, relay 115,140,141,143,167,168	245463	(Discont'd.) 1
	Resistor, 75 ohm (R3,R5) 154	246181	2	N11	Bracket, resistor 115,140,141,143,167,168	245441	2
	Resistor, 125 ohm (R3) 151,155,159,162	243614	1	N12	Bracket, relay 115,143	246830	(Discon'd)
	Resistor, 15 ohm (R3) 157	X-474-4	1	N13	Bracket, relay 117	269033	(Discon'd)
	Resistor, 125 ohm (R3,R5,R6) 165	243614	3	N14	Bracket, circuit board 127	248611	(Discon'd)
L4	Resistor, 3.5 ohm (1R2) 115,126,135,143,160,161, 163	245457	1	N15	Bracket, relay 127,128	246896	(Discon'd)
L5	Resistor, 650 ohm (R2,1R2) 137	243381	2	N16	Bracket, relay 139,142	246622	(Discon'd)
L6	Resistor, 250 ohm (1R2,R2) 144	243555	2	N17	Bracket, relay 140,141,167,168	245464	1
	Resistor, 250 ohm (R2,1R2, 2R2,3R2) 157	243555	4	O1	Switch, thermal (1TS) 69,70,71,80,81,94,97,99, 115,117,125,133,138,139, 140,141,142,143,147,151, 152,153,155,158,159,162, 166,167,168,170,171	245803	1
M1	Plate, cover 69,70,71,94,125,128,133, 134,138,139,142,146,148,149, 149,153,154,156,157,164, 165,166	245266	1	O2	Switch, toggle 69,70,71,80,94,97,125, 127,128,133,138,139,142, 152,158,166,170,171,	268028	1
M2	Plate, cover 128	246899	(Discon'd)	O3	Switch, toggle 80,81,115,117,137,143,144, 147,151,153,155,159,162	268015	1
M3	Plate, switch mounting 147,151,155,159,162	245836	(Discon'd)		126,134,135,137,144,146, 147,148,149,150,151,153, 154,155,156,157,159,160,161, 162,163,164,165,169	268042	A.R.
N1	Bracket, resistor 69,70,71,94,125,133,134, 138,139,142,146,148,149, 153,154,156,164,165,166, 169,170	245746	1		157	151510	1
N2	Bracket, terminal block 69,71,94,133,138,139,142, 166,170	245741	1	O4	Switch, toggle 136	243305	1
N3	Bracket, terminal 69,70,71,94,125,133,138, 139,142,153,166,169,170, 171	X-668-1	A.R.	P	Bulb, light 127,128	268310	4

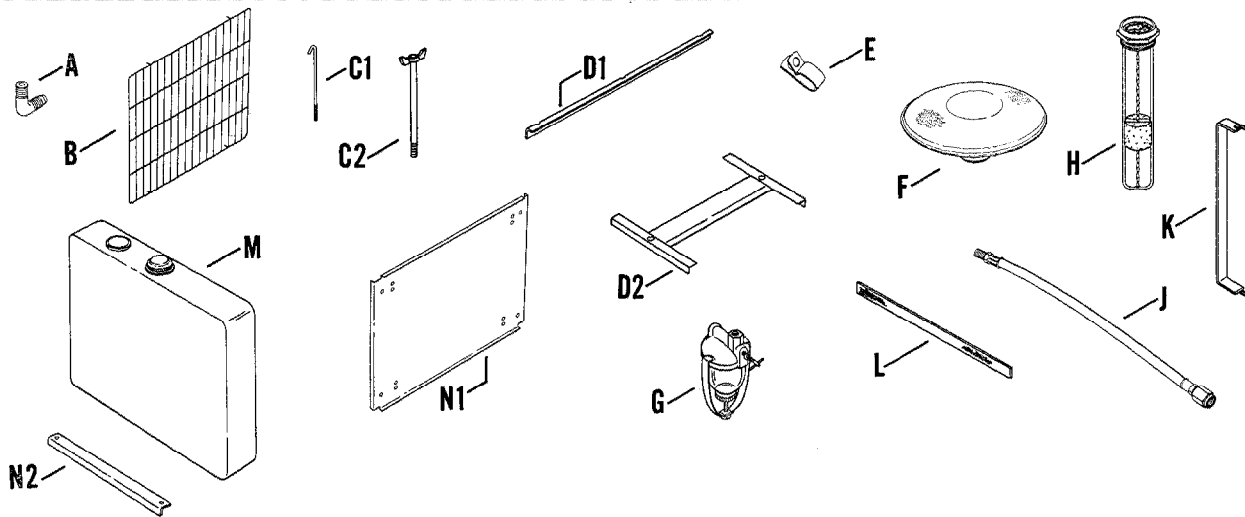
INDEX LTR.	DESCRIPTION VARIATION NUMBER	PART NUMBER	QTY.	INDEX LTR.	DESCRIPTION VARIATION NUMBER	PART NUMBER	QTY.
Q	Light, indicator 127,128	283419	4	X	Lead, ground 69,70,71,80,81,94,97,99, 115,117,125,127,133,134, 138,139,140,141,142,143, 146,147,148,149,153,154, 156,157,166,167,168,169, 170	200521	1
R1	Transformer (TR) 69,70,115,125,134,135, 139,140,141,142,143,146, 147,149,150,151,152,160, 161,162,163,164,165,166, 167,168,169,170,171,174	245360	1	Y	Fuse 127,128	243929	1
	Transformer (TR1,TR2) 71,94,138,154	245143	2		Fuse (5 AMP) 167,168,169,170	152992	1
R2	Transformer (TR1) 81,99,115,117,140,167	245675	1		Fuse (10AMP) 167,168,169,170,171	223316	1
	141,143	245676	1	Z	Holder, fuse 127	263069	1
R3	Transformer (CT4) (Not Shown) 127	248534	(Discon'd)	Z	Holder, fuse (3) 167,168,169,170,171	287787	
	Transformer (TR) (Not Shown) 127,128	246672	(Discon'd)	AA	Clip, fuse 127,128	244341	1
	128	246889	1	BB	Switch, solenoid 160,161	248846	1
S	Breaker, circuit (2TS) 69,70,71,80,81,94,97,99, 115,117,125,127,128,133, 138,139,140,141,142,143,152, 158,166,167,168,170,171	265327	1	CC	Lead, assembly 160,161	248886	1
	Breaker, circuit 167,168,169,170	X-506-7	1	DD	Plate, Circuit breaker 167	248595	1
T	Condenser 115,140,141,143,167,168	245742	1	EE	Plate, circuit breaker 168	245866	1
U1	Rectifier RE 69,70,115,125,126,134,135, 139,140,141,142,143,146,147, 149,150,151,152,153,155,156, 158,159,160,161,162,163,164, 165,166,167,168,170,171	248977	1	EE1	Plate, circuit breaker 169,170	245264	1
U2	Rectifier RE 71,94,138,154	245118	1	FF	Varistor 169	248961	1
U3	Rectifier RE1 115,117,139,142,143,152, 158	283741	1	GG	Plate, cover 171	245265	1
U4	Rectifier RE 127,128	246680	1	HH	Rectifier 169	248960	1
V1	Board, circuit (Aux. field) 127,128	A-246674	(Discon't)	JJ	Wiring Diagram 69	C-245301	1
V2	Board, circuit (Bat. charging) 127,128	A-246891-1	(Discon't)		70,125	C-245380	1
V3	Board, circuit (Saftimatic) 127	A-248593-1	(Discon't)		71	C-245282	1
	Board, circuit (Controller) 127,128	A-246940-1	(Discon't)		80	C-245893	1
V4	Board, circuit (Automatic) 127,128	A-246997	(Discon't)		81	C-245896	1
W	Protector, surge 71,94,138,154	245248	1		94	246795	1
					97	B-245469	1
					99	C-245486	1
					115	C-246956	1
					117	C-246953	1
					126,150	245702	1
					127	248579	1
					128	248527	1
					133	C-245979	1

301,501

301,501

INDEX LTR.	DESCRIPTION VARIATION NUMBER	PART NUMBER	QTY.	INDEX LTR.	DESCRIPTION VARIATION NUMBER	PART NUMBER	QTY.
(JJ CONTINUED)					153	248352	1
	134	245854	1		154	B-245863	1
	135	245880	1		155	B-248355	1
	136	246643	1		157	248747	1
	137	248654	1		158	248751	1
	138	C-245287	1		160	246208	1
	139	C-248656	1		161	246209	1
	140	C-245547	1		162	B-248932	1
	141	D-245545	1		163	246208	1
	142	C-248658	1		164	B-248976	1
	143	C-246958	1		165	248987	1
	144	248660	1		166	C-245301	1
	146	B-248857	1		167	241653	1
	147	B-248674	1		168	241651	1
	148	B-248681	1		169	241645	1
	149,156	B-245854	1		170	241647	1
	151,159	B-248734	1		174	A-246220	1
	152	248736	1				

501 HOUSING & MOUNTING



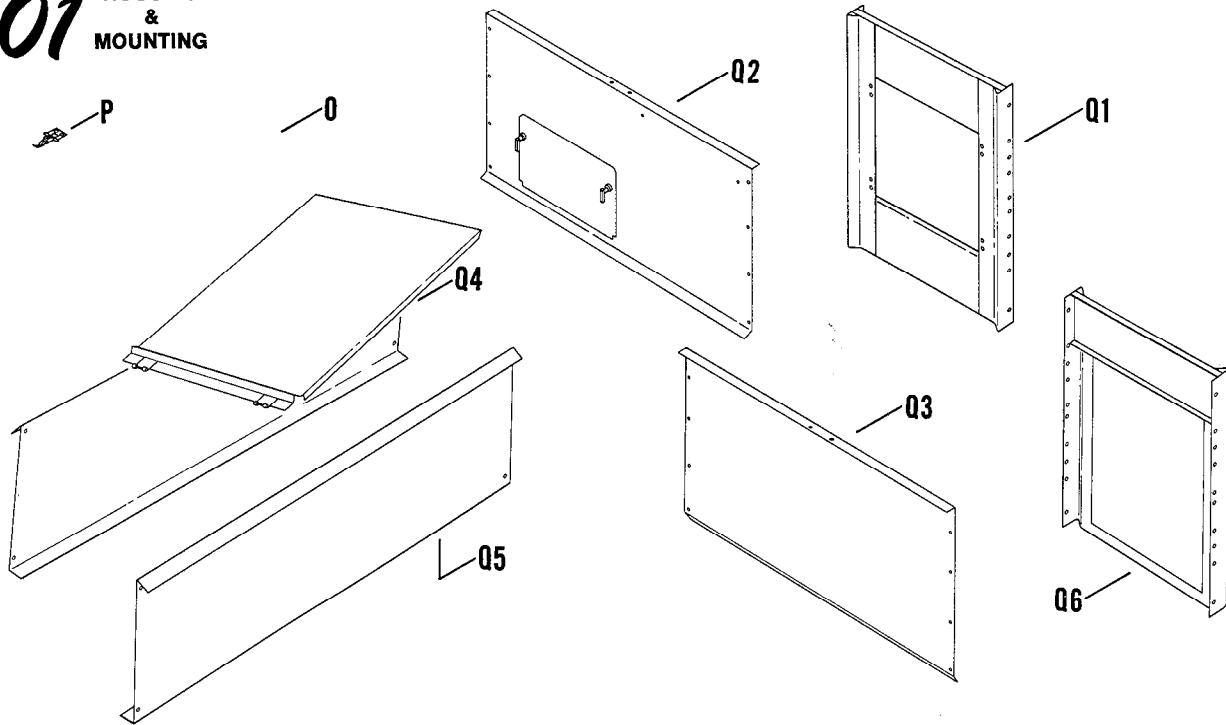
INDEX LTR.	DESCRIPTION VARIATION NUMBER	PART NUMBER	QTY.	INDEX LTR.	DESCRIPTION VARIATION NUMBER	PART NUMBER	QTY.
A	Elbow 18,20	X-447-10	1	D1	Clamp, battery 18,19	288614	1
B	Grill, radiator 18,19,20	241357	1	D2	Clamp, battery 20	289874	1
C1	Stud, battery 18,19	274200	2	E	Clip 18,20	286533	1
C2	Stud, battery 20	274080	2	F	Muffler 18,19,20	153730	1

501

ILLUSTRATION ON GRID C7, C8

501

501 HOUSING & MOUNTING



INDEX LTR.	DESCRIPTION VARIATION NUMBER	PART NUMBER	QTY.	INDEX LTR.	DESCRIPTION VARIATION NUMBER	PART NUMBER	QTY.
G	Filter, fuel 18,20	A-210101	1	0	Hood 18,19,20	288922	2
H	Gauge, fuel tank 18,20	234111	1	P	Latch 18,19,20	244267	2
J	Line, fuel 18,20	266103	1		18,19,20	245028	2
K	Strap, tank 18,20	288832	2	Q1	Panel, front 18,19,20	288930	1
L	Webbing, tank 18,20	X-295-4	A.R.	Q2	Panel, upper left side 18,19,20	288920	1
M	Tank, fuel 18,20	288831	1	Q3	Panel, upper right side 18,19,20	288921	1
N1	Support, hood 18,19,20	288790	1	Q4	Panel, lower left side 18,19,20	288923	1
N2	Support, tank 18,20	288635	1	Q5	Panel, lower right side 18,19,20	288924	1
				Q6	Panel, rear 18,19,20	288929 (Discont'd.)	1

NAMEPLATES AND DECALS

Description	Part Number
Nameplate, Specification	287439
Decal, Air Cleaner	220720
Decal, Fresh Water	241082
Decal, KOHLER Logo 6"	241118
Decal, KOHLER Logo 6"	241119
Decal, KOHLER Logo 14"	241537
Decal, KOHLER Logo 10"	241541
Decal, KOHLER Logo 8"	241543
Decal, KOHLER Logo 6"	241545
Decal, KOHLER Logo 8"	241581
Decal, KOHLER Logo 10"	241583
Decal, Ships Wheel Logo	259089
Decal, Loosen Cover To Drain	266450
Decal, Water Drain	280561

