

Parts Catalog

RV Generator Sets



Models:

**4.5CKM-RV
PowerBoost™**

(KT-17 powered)

KOHLER®
POWER SYSTEMS

SPECIFICATION SERIES 1015

TP-5146 6/93

SERIES 1015 SPECIFICATION NUMBER INDEX

GROUP TITLE & NUMBER	AIR INTAKE	BAFFLES & SHROUD	BREATHER & VENTS	CAMSHAFT & VALVES	CARBURETOR	CRANKCASE	CRANKSHAFT	CYLINDER HEAD	DIPSTICK	STARTER	EXHAUST	FLYWHEEL	FUEL PUMP	GOVERNOR	IGNITION	PISTON & ROD	OIL PUMP	OIL FILTER	LOW OIL PRESS. SW.	SHORT BLOCK	AIR INTAKE	FUEL SYSTEM	ENGINE	NAMEPLATE & DECALS	SKID & PLANT MTG.	STARTER	EXHAUST	GENERATOR & MTG.	CONTROLLER & MTG.	LITERATURE	
	GROUP #	1	2	3	4	5	7	8	9	10	11	12	13	14	17	18	22	25	29	32	42	101	103	105	107	109	112	116	201	301	701
PAGE	2	3	4	5	6	9	10	10	10	11	12	13	13	14	15	16	17	18	18	18	19	20	22	23	24	26	27	28	32	33	
SPEC. NO.	VARIATION NO.																														
10151	4	6	6	13	11	96	87	1	2	1	6	39	2	3	13	14	4	4	3	8	2	4	200	9	8	1	1	9	13	3	
10152	4	128	6	12	11	96	87	1	2	1	6	39	2	3	13	14	4	4	3	8	2	4	300	11	9	1	2	11	13	3	
10153	4	128	6	12	—	96	87	1	2	1	6	39	2	3	13	14	4	4	3	8	2	3	300	7	8	1	1	16	14	3	
10154	4	128	6	12	—	96	87	1	2	1	6	39	2	3	13	14	4	4	3	8	2	3	300	12	9	1	2	11	14	3	
10155	4	128	6	12	11	96	87	1	2	1	6	39	2	3	13	14	4	4	3	8	2	4	300	9	8	1	1	10	11	3	
10156	4	128	6	12	—	96	87	1	2	1	6	39	2	3	13	14	4	4	3	8	2	3	300	7	8	1	1	10	12	3	
10157	4	6	6	13	11	96	87	1	2	1	6	39	2	3	13	14	4	4	3	8	2	4	200	6	8	1	1	14	13	3	
10158	4	128	6	12	11	96	87	1	2	1	6	39	2	3	13	14	4	4	3	8	2	4	300	9	8	1	1	9	13	3	
10159	4	128	6	12	11	96	87	1	2	1	6	39	2	3	13	14	4	4	3	8	2	4	300	9	8	1	1	4	9	13	3
10160	4	128	6	12	11	96	87	1	2	1	6	39	2	3	13	14	4	4	3	8	2	4	300	9	10	1	1	9	13	3	
10161	4	128	6	12	11	96	87	1	2	1	6	39	2	3	13	14	4	4	3	8	2	4	300	13	11	1	4	11	13	3	
10162	4	128	6	12	11	96	87	1	2	1	6	39	2	3	13	14	4	4	3	8	2	6	400	9	10	1	1	9	13	3	
10163	4	128	6	12	11	96	87	1	2	1	6	39	2	3	13	14	4	4	3	8	2	6	400	9	8	1	1	9	13	3	
10164	4	128	6	12	11	96	87	1	2	1	6	39	2	3	13	14	4	4	3	8	2	6	400	9	8	1	4	9	13	3	
10165	4	128	6	12	11	96	87	1	2	1	6	39	2	3	13	14	4	4	3	8	2	6	400	13	11	1	5	11	13	3	
10166	4	128	6	12	11	96	87	1	2	1	6	39	2	3	13	14	4	4	3	8	2	6	400	9	8	1	1	10	11	3	
10167	4	128	6	12	11	96	87	1	2	1	34	39	2	3	13	14	4	4	3	8	2	9	5	9	16	1	8	9	18	3	
10168	4	128	6	12	11	96	87	1	2	1	34	39	2	3	13	14	4	4	3	8	2	9	5	9	16	1	6	9	18	3	
10169	4	128	6	12	11	96	87	1	2	1	34	39	2	3	13	14	4	4	3	8	2	9	5	9	16	1	8	9	18	3	
10170	4	128	6	12	11	96	87	1	2	1	34	39	2	3	13	14	4	4	3	8	2	6	5	13	11	1	7	11	16	3	
10171	4	128	6	12	—	96	87	1	2	1	34	39	2	3	13	14	4	4	3	8	2	3	5	21	16	1	8	9	19	3	
10172	4	128	6	12	11	96	87	1	2	1	34	39	2	3	13	14	4	4	3	8	2	9	5	9	16	1	8	10	17	3	
10173	4	128	6	12	11	96	87	1	2	1	6	39	2	3	13	14	4	4	3	8	2	6	400	9	10	1	1	19	20	3	
10174	4	128	6	12	11	96	87	1	2	1	34	39	2	3	13	14	4	4	3	8	2	9	5	9	16	1	8	19	22	3	
10175	4	128	6	12	77	96	87	24	2	1	34	39	2	44	13	14	4	4	3	8	2	9	6	9	17	1	8	20	24	3	
10176	4	128	6	12	77	96	87	24	2	1	34	39	2	44	13	14	4	4	3	8	2	9	6	9	17	1	6	20	24	3	
10177	4	128	6	12	77	96	87	24	2	1	34	39	2	44	13	14	4	4	3	8	2	9	6	9	17	1	8	20	24	3	
10178	4	128	6	12	77	96	87	24	2	1	34	39	2	44	13	14	4	4	3	8	2	9	6	7	17	1	8	23	27	3	
10179	4	128	6	12	77	96	87	24	2	1	34	39	2	44	13	14	4	4	3	8	2	9	6	13	18	1	7	22	26	3	
10180	4	128	6	12	77	96	87	24	2	1	34	39	2	44	13	14	4	4	3	8	2	3	6	7	17	1	8	20	25	3	
10181	4	128	6	12	77	96	87	24	2	1	34	39	2	44	13	14	4	4	3	8	2	9	6	9	17	1	8	21	23	3	
10182	4	128	6	12	77	96	87	24	2	1	34	39	2	44	13	14	4	4	3	8	2	3	5	7	16	1	8	10	17	3	
10183	4	128	6	12	77	96	87	24	2	1	34	39	2	44	13	14	4	4	3	8	2	3	6	14	17	1	8	21	23	3	
10184	4	128	6	12	77	96	87	24	2	1	34	39	2	44	13	14	4	4	3	8	2	9	5	13	20	1	7	24	21	3	
10185	4	128	6	12	77	96	87	24	2	1	34	39	2	44	13	14	4	4	3	8	2	9	6	13	21	1	7	24	26	3	

INTRODUCTION

This manual contains a complete listing of service replacement parts for Kohler 4.5CKM-RV POWER BOOST Generator Sets identified by specification code series 1015. These use the Kohler Model KT-17 Engine. This manual includes the following main sections in the sequence listed.

1. *Specification Number Index*: Listing of generator set spec numbers arranged in numerical sequence on each

page. Group variation numbers are listed in the horizontal line to the right of each spec number.

2. *Group Parts List*: Indicates specific parts for each specification. Illustrations of parts are shown for some of the various parts. Illustrations are keyed to the parts numbers found in the parts group listings.

NUMBER SIGNIFICANCE

There are various numbers which must be used in determining how to identify a part number. The significance of each of these numbers is explained as follows:

Specification Number: The generator set specification number, which is found on the nameplate attached to the frame of the generator, indicates model variation or the combination of groups used to build that particular generator set. The spec number is, in effect, a coded number. The first four digits, which are the code designation for generator size and engine model, remain constant in this series while the remaining digits in the spec number are issued in numerical sequence. When the sequential

number reaches 99, the next number will be 100, for example: 10199 is followed by 101100 — note that the spec number goes from a 5 digit to a 6 digit number in this example.

Group Number: The group consists of related parts needed to provide one or more related functions.

Group Variation Number: A variation number is assigned to a parts group whenever that group, or a part or parts within that group, varies from the original design of the basic engine.

Part Number: The part number is the number by which an individual piece part of a generator set is identified and ordered.

HOW TO FIND PART NUMBERS

Following is a step-by-step procedure to be used in identifying and ordering a specific part.

Item to be ordered: *ROTOR ASSEMBLY*

STEP 1: Record the *Generator Set* specification number from the nameplate on the generator frame. (Sample: 10151a.)

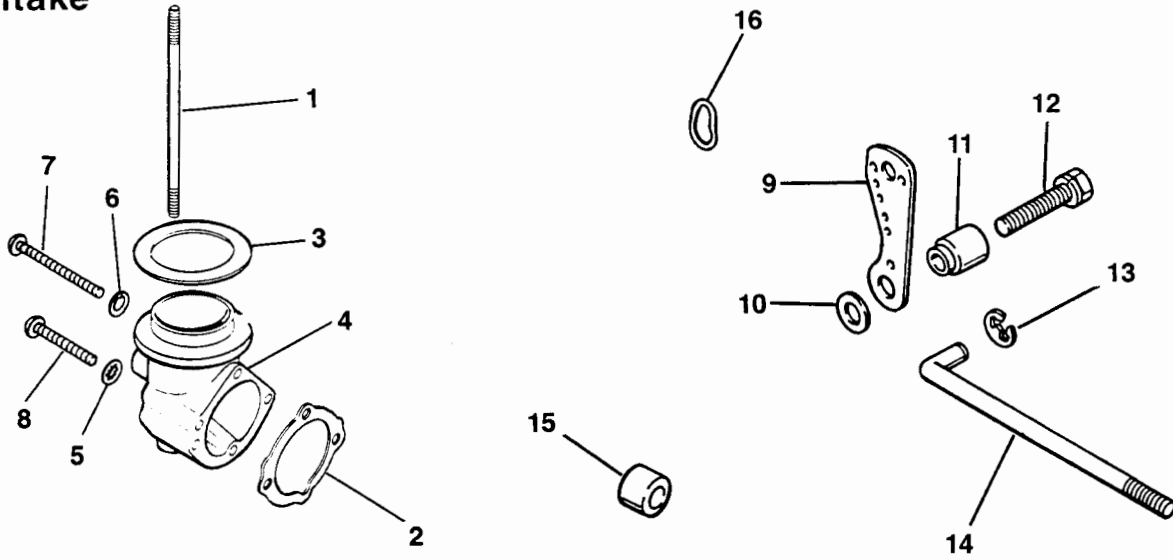
STEP 2: In the Specification Number Index, find specification 10151a in the left-hand vertical column. Under

Group 201 — Generator and Mounting column, locate the variation number assigned to specification 10151a. The variation number is 9.

STEP 3: Turn to Part Group 201 — Generator and Mounting. Note the Rotors are identified with Index Number 1 — under this number locate Variation 9. Rotor assembly A-277991 is assigned to this variation.

SERIES 1015

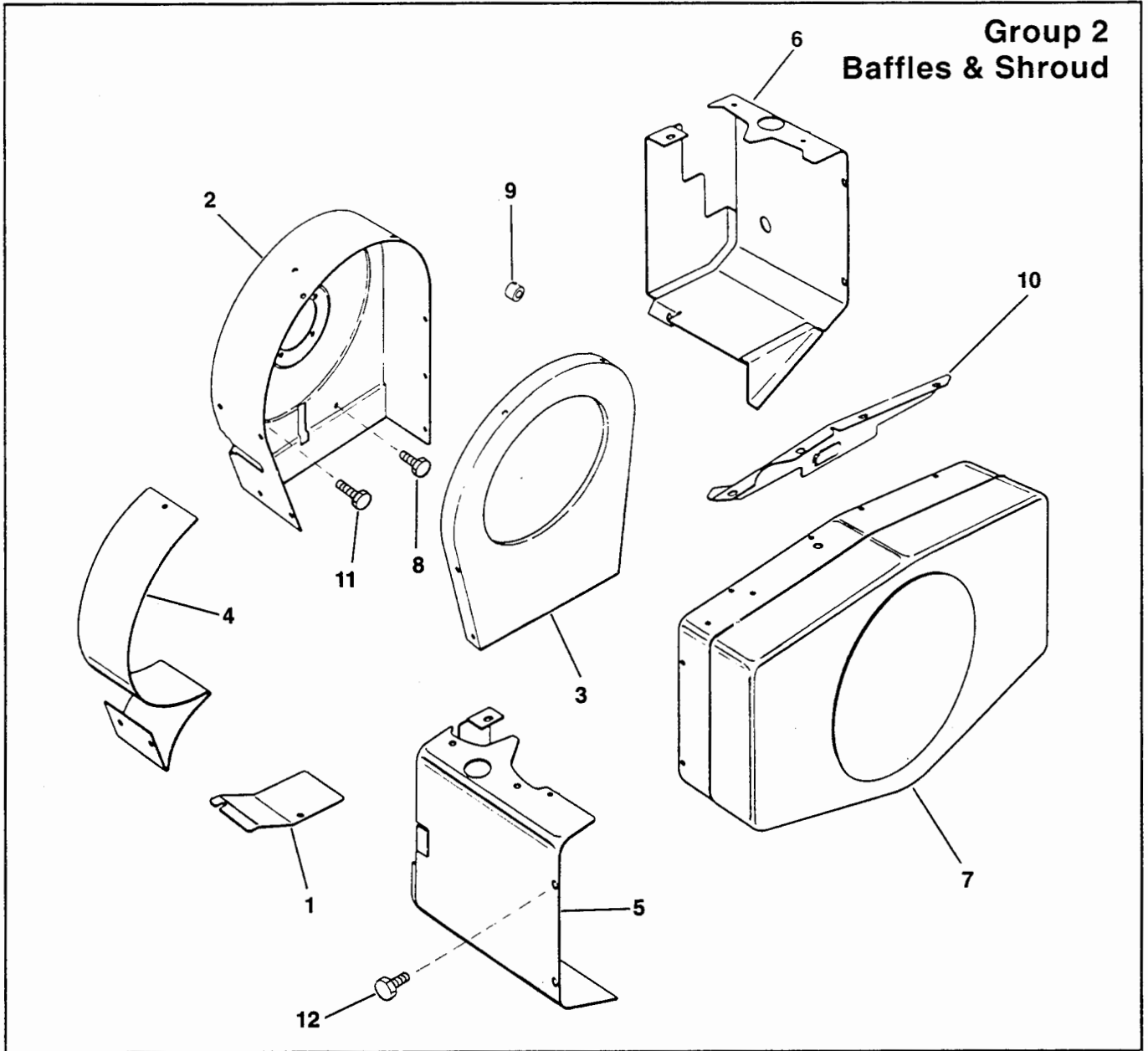
Group 1 Air Intake



Item	Qty.	Description Variation No.	Part No.	Item	Qty.	Description Variation No.	Part No.
1	1	Stud 4	X-352-38	9	1	Lever, throttle 4	47 090 05
2	1	Gasket 4	277069	10	1	Washer, plain 1/4 4	X-25-63
3	1	Gasket, air cleaner 4	52 055 04	11	1	Spacer 4	52 112 05
4	1	Elbow 4	52 054 16	12	1	Screw, 1/4-20 x 7/8 4	X-132-7
5	2	Washer, int./tooth #10 4	#	13	1	Retainer, throttle 4	235278
6	1	Washer, plain #10 4	#	14	1	Rod 4	52 411 02
7	1	Screw, R.H.M. 10-32 x 2-1/4 4	#	15	1	Spacer 4	X-400-122
8	2	Screw, R.H.M. 10-32 x 1-1/2 4	#	16	1	Washer, tension 4	275690

Denotes common hardware; procure locally.

SERIES 1015

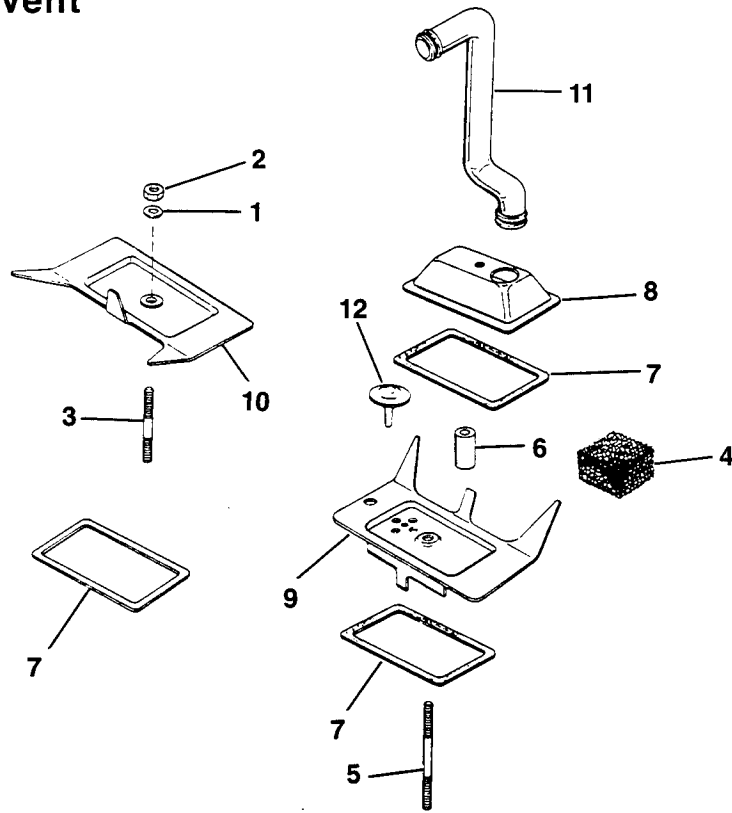


Item	Qty.	Description Variation No.	Part No.	Item	Qty.	Description Variation No.	Part No.
1	1	Baffle, cylinder top #2 6, 128	52 063 02	1	1	Housing, blower 128	52 027 31
2	1	Scroll 6, 128	52 416 01	8	4	Screw, H.C. 10-24 x 3/8 6, 128	#
3	1	Cover, scroll 6, 128	52 096 10	9	2	Spacer 6	X-400-121
4	1	Baffle 6, 128	52 063 07	2	2	Spacer 128	52 112 13
5	1	Baffle, #2 cylinder 6	52 063 09	10	1	Support, upper housing 6, 128	52 217 01
	1	Baffle, #2 cylinder 128	52 063 20	11	1	Screw, H.C. 1/4-20 x 1 6, 128	#
6	1	Baffle, #1 cylinder 6, 128	52 063 08	12	27	Screw, self-tapping 1/4 6, 128	#
7	1	Housing, blower 6	52 027 03				

Denotes common hardware; procure locally.

SERIES 1015

Group 3 Breather and Vent

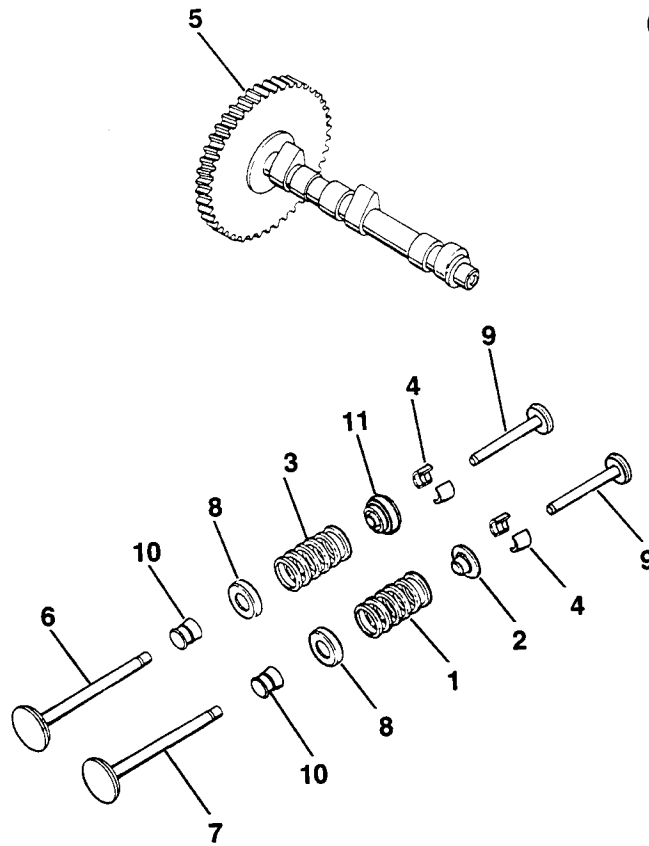


Item	Qty.	Description Variation No.	Part No.	Item	Qty.	Description Variation No.	Part No.
1	2	Washer, copper 17/64 6	X-25-12	7	3	Gasket, valve cover 6	52 055 01
2	2	Nut, hex 6	#	8	1	Cover, valve 6	52 096 08
3	1	Stud 6	X-352-39	9	1	Cover, breather 6	52 254 07
4	1	Filter, breather 6	231419	10	1	Cover, valve assembly #2 6	52 254 08
5	1	Stud, valve cover 6	275220	11	1	Breather, hose 6	52 326 08
6	1	Seal, breather 6	52 032 04	12	1	Valve, umbrella 6	52 462 01

Denotes common hardware; procure locally.

SERIES 1015

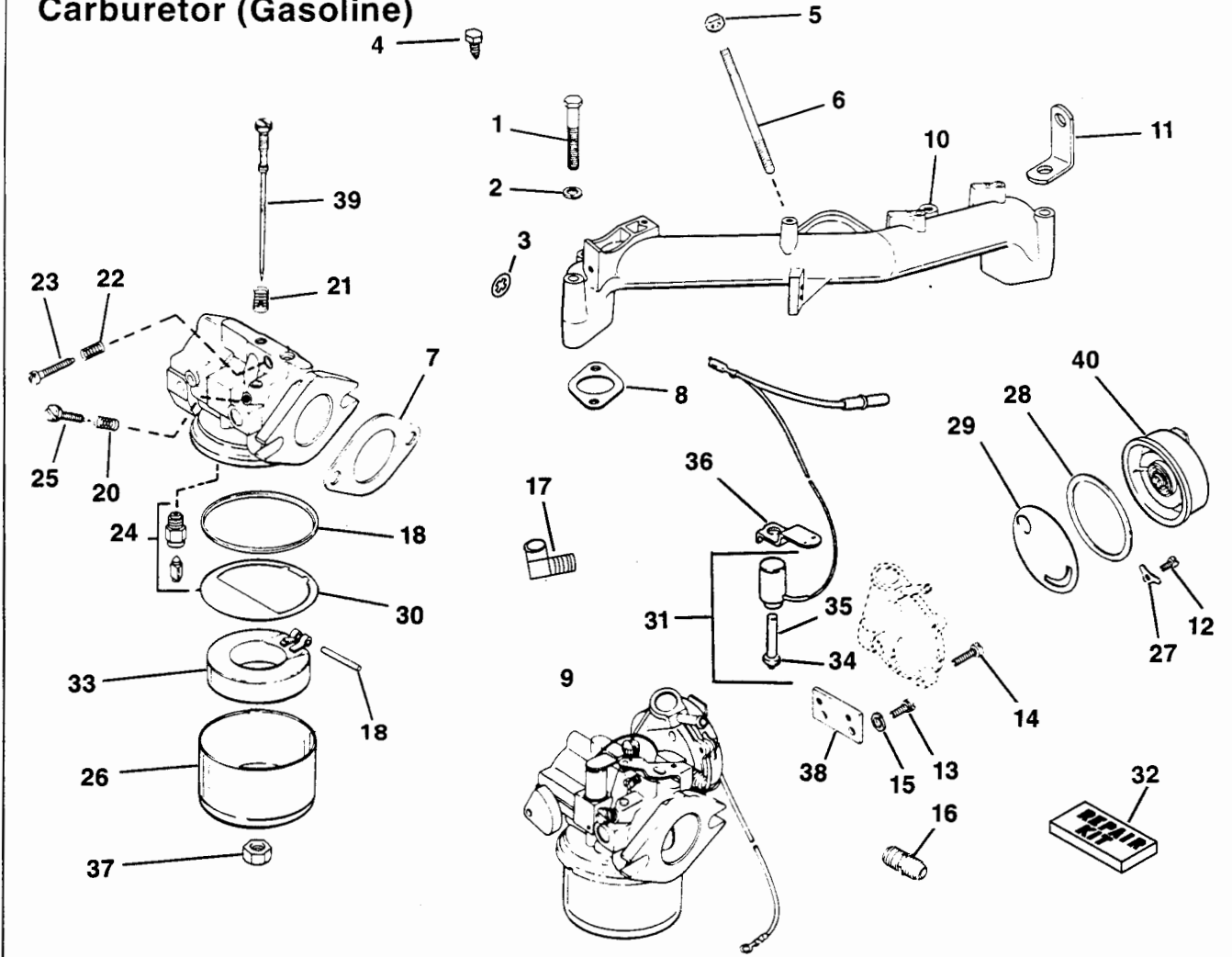
Group 4 Camshaft & Valves



Item	Qty.	Description Variation No.	Part No.	Item	Qty.	Description Variation No.	Part No.
1	2	Spring, valve 12, 13	230010	2	2	Valve, intake 13	52 017 02
2	2	Retainer, valve spring 12, 13	230011	8	4	Retainer, spring 12, 13	52 018 01
3	2	Spring, valve 12, 13	230168	9	4	Tappet, valve 12, 13	52 019 02
4	4	Kit, retainer 12, 13	41 755 10	10	2	Valve, seal 12	52 032 13
5	1	Camshaft 12, 13	52 012 06	2	2	Valve, seal 13	45 032 01
6	2	Valve, exhaust 12, 13	52 016 02	11	2	Valve, rotator 12	52 413 01
7	2	Valve, intake 12	52 017 01	2	2	Valve, rotator 13	230020

SERIES 1015

Group 5 Carburetor (Gasoline)



Item	Qty.	Description Variation No.	Part No.	Item	Qty.	Description Variation No.	Part No.
1	4	Screw, H.C. 5/16-18 x 2-3/4 11, 77	#	12	2	Screw, F.H.M. 8-32 x 1/4 11, 77	#
2	4	Washer, split lock 5/16 11, 77	#	13	2	Screw, F.H.M. 10-32 x 5/8 11, 77	#
3	1	Washer, internal tooth 1/4 11	#	14	2	Screw, F.H.M. 10-32 x 7/16 11, 77	#
4	1	Screw, self-tapping 1/4 11	#	15	2	Washer, split lock #10 11, 77	#
5	2	Nut, hex 5/16-18 11, 77	#	16	1	Connector, 7/16-20 x 1-1/16 11	X-296-1
6	2	Stud 11	X-352-37	17	1	Elbow, street 1/8 NPTF 11	X-555-2
7	1	Gasket, carburetor 11, 77	271030	18	1	Elbow, 7/16-20 x 1/8 77	X-447-10
8	2	Gasket, intake 11, 77	52 041 09	19	1	Pin, float lever 11, 77	200376
9	1	Carburetor Assembly 11, 77	52 053 65	20	1	Spring, throttle 11, 77	200380
10	1	Manifold, Intake 11, 77	52 164 08	21	1	Spring, adjusting needle 11, 77	200383
11	2	Strap, lifting 11, 77	52 445 02				

Denotes common hardware; procure locally.

SERIES 1015

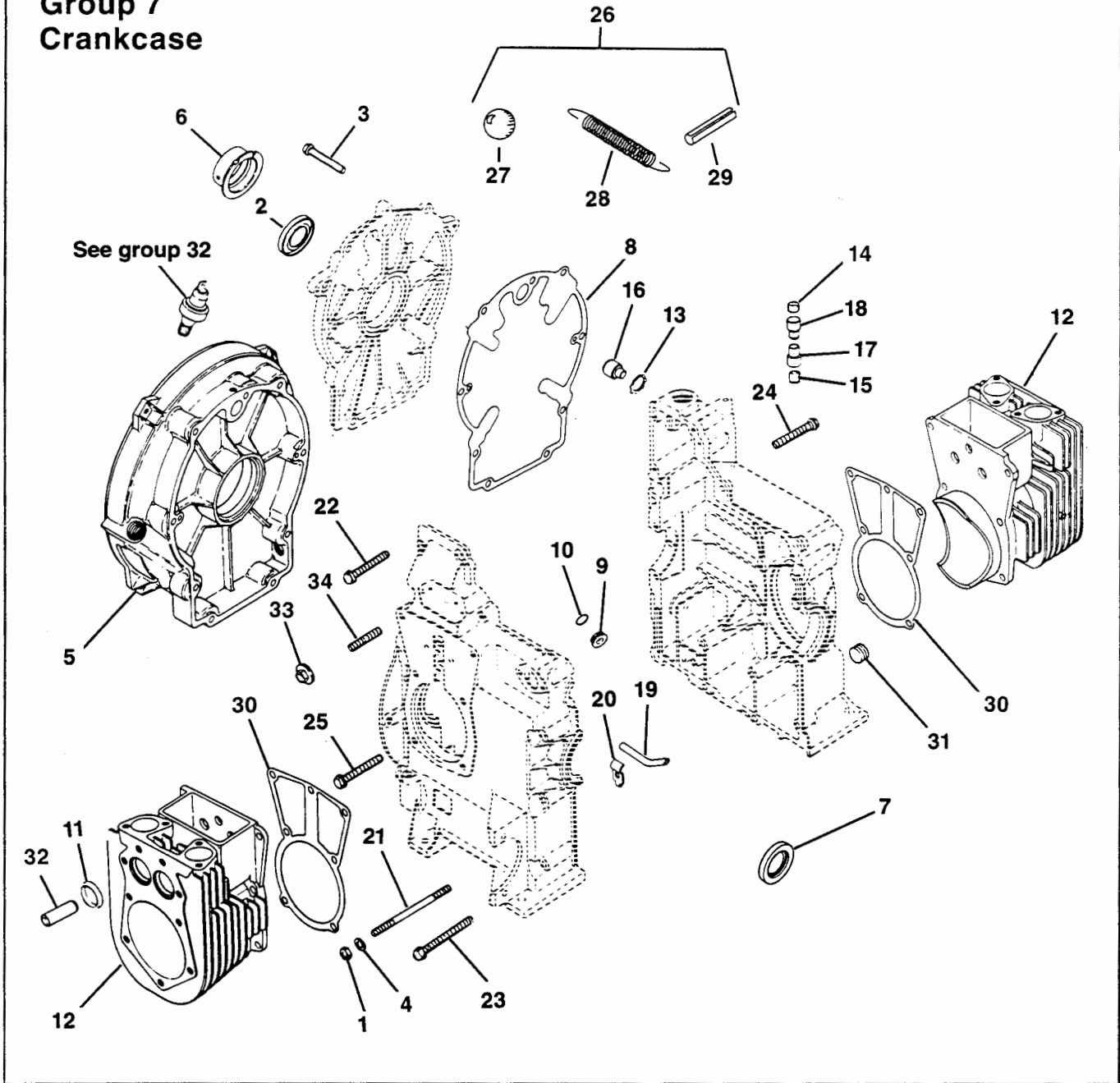
Group 5 Carburetor (Gasoline) - cont'd.

Item	Qty.	Description Variation No.	Part No.	Item	Qty.	Description Variation No.	Part No.
22	1	Spring, adjusting 11, 77	232555	32	1	Repair kit, carburetor (includes bowl nut gasket, bowl gasket, float pin, needle valve, needle seat gasket, bowl gasket, and seat) 11, 77	25 757 02
23	1	Screw, adjustment level 11, 77	232556				
24	1	Needle valve and seat (Available only in carburetor kit 25 757 02) 11, 77		33	1	Kit, float repair (includes bowl gasket and float assembly) 11, 77	25 757 03
25	1	Screw, idle adjustment 11, 77	235006				
26	1	Bowl, carburetor 11, 77	235448	34	1	O-ring 11, 77	41 153 02
27	2	Retainer, thermostat 11, 77	277275	35	1	Plunger, solenoid 11, 77	41 385 01
28	1	Gasket 11, 77	277281	36	1	Bracket, solenoid 11, 77	45 126 12
29	1	Plate, baffle 11, 77	277297	37	1	Nut, bowl 11, 77	47 100 06
30	1	Gasket, bowl 11, 77	25 041 02*	38	1	Bracket, choke 11, 77	48 126 01
31	1	Kit, solenoid (includes items 34-35) 11, 77	25 755 05	39	1	Needle Assembly 11, 77	52 103 02
				40	1	Heater, choke 11, 77	52 175 01

NOTE: Refer to Fuel System (LPG) Group 103 for LPG Fuel System Components.

SERIES 1015

Group 7 Crankcase



Item	Qty.	Description Variation No.	Part No.	Item	Qty.	Description Variation No.	Part No.
23	6	Screw, hex flange 5/16-18 x 3-1/2 96	25 086 11	28	1	Spring, oil pressure 96	52 089 06
24	2	Screw, hex flange 5/16-18 x 2 96	25 086 12	29	1	Sleeve, oil relief 96	52 431 01
25	2	Screw, hex flange 3/8-16 x 3-1/2 96	25 086 13	30	2	Gasket, w/barrel 96	52 041 04
26	1	Kit, oil relief (includes items 27-29) 96	52 755 50	31	1	Plug, oil drain 96	X-75-23
27	1	Ball, steel 5/16 96	X-212-3	32	2	Insert, valve seat 96	52 031 01
				33	14	Nut, hex 5/16 x 18 96	X-82-02
				34	12	Stud 96	52 072 12

SERIES 1015

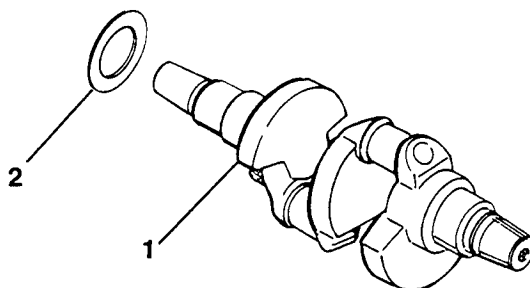
Group 7 Crankcase

Item	Qty.	Description Variation No.	Part No.	Item	Qty.	Description Variation No.	Part No.
1	2	Nut, hex 5/16-18 96	#	12	2	Kit, cylinder barrel (includes bushing and cylinder barrel) 96	52 755 81
2	1	Seal, oil 96	X-583-5	13	1	Ring, retaining 96	X-269-43
3	9	Screw, hex flange 96	X-802-9	14	1	Bearing, upper needle 96	52 030 03
4	2	Washer 96	41 468 01	15	1	Bearing, lower needle 96	52 030 04
5	1	Adapter, generator 96	52 029 14	16	1	Shaft, governor 96	52 078 05
6	2	Bearing, sleeve 96	52 030 10	17	1	Bushing, lower 96	52 158 02
	2	Bearing, sleeve .010 96	52 030 11	18	1	Bushing, upper 96	52 158 03
	2	Bearing, sleeve .020 96	52 030 12	19	1	Tube, dipstick 96	52 123 10
7	1	Seal, oil 96	52 032 10	20	1	Clamp, tube 96	52 237 05
8	1	Gasket, closure plate 96	52 041 15	21	2	Stud 96	X-352-33
9	1	Plug 3/4 96	52 139 08	22	3	Screw, hex machine 5/16-18 x 1-1/2 96	25 086 10
10	1	O-ring 96	52 141 02				
11	4	Guide, valve 96	52 316 06				

Denotes common hardware; procure locally.

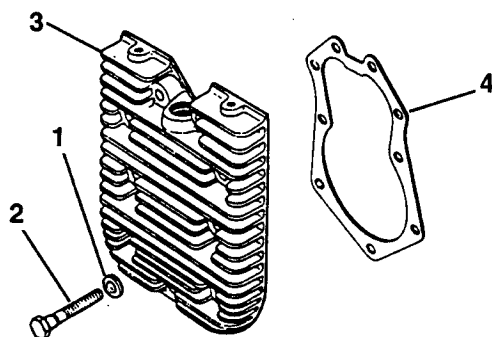
SERIES 1015

Group 8 Crankshaft



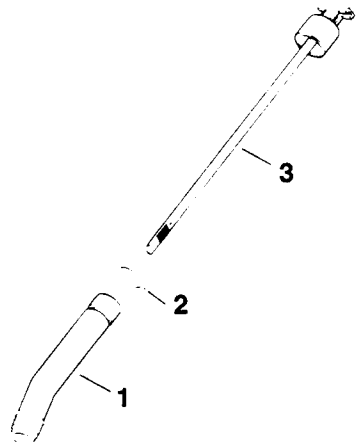
Item	Qty.	Description Variation No.	Part No.	Item	Qty.	Description Variation No.	Part No.
1	1	Crankshaft 87	52 014 67	3	1	Washer, thrust (.130/.133) 87	52 468 04
2	1	Washer, thrust (.123/.126) 87	52 468 03	4	1	Washer, thrust (.138/.141) 87	52 468 05

Group 9 Cylinder Head



Item	Qty.	Description Variation No.	Part No.	Item	Qty.	Description Variation No.	Part No.
1	18	Washer, plain 5/16 1, 24	220534	4	2	Gasket, cylinder head 1, 24	52 041 21
2	18	Screw, hex head 5/16-18 x 1-1/2 1, 24	41 086 02	5	2	Stud (not shown) 24	52 072 15
3	2	Head, cylinder 1, 24	52 015 08				

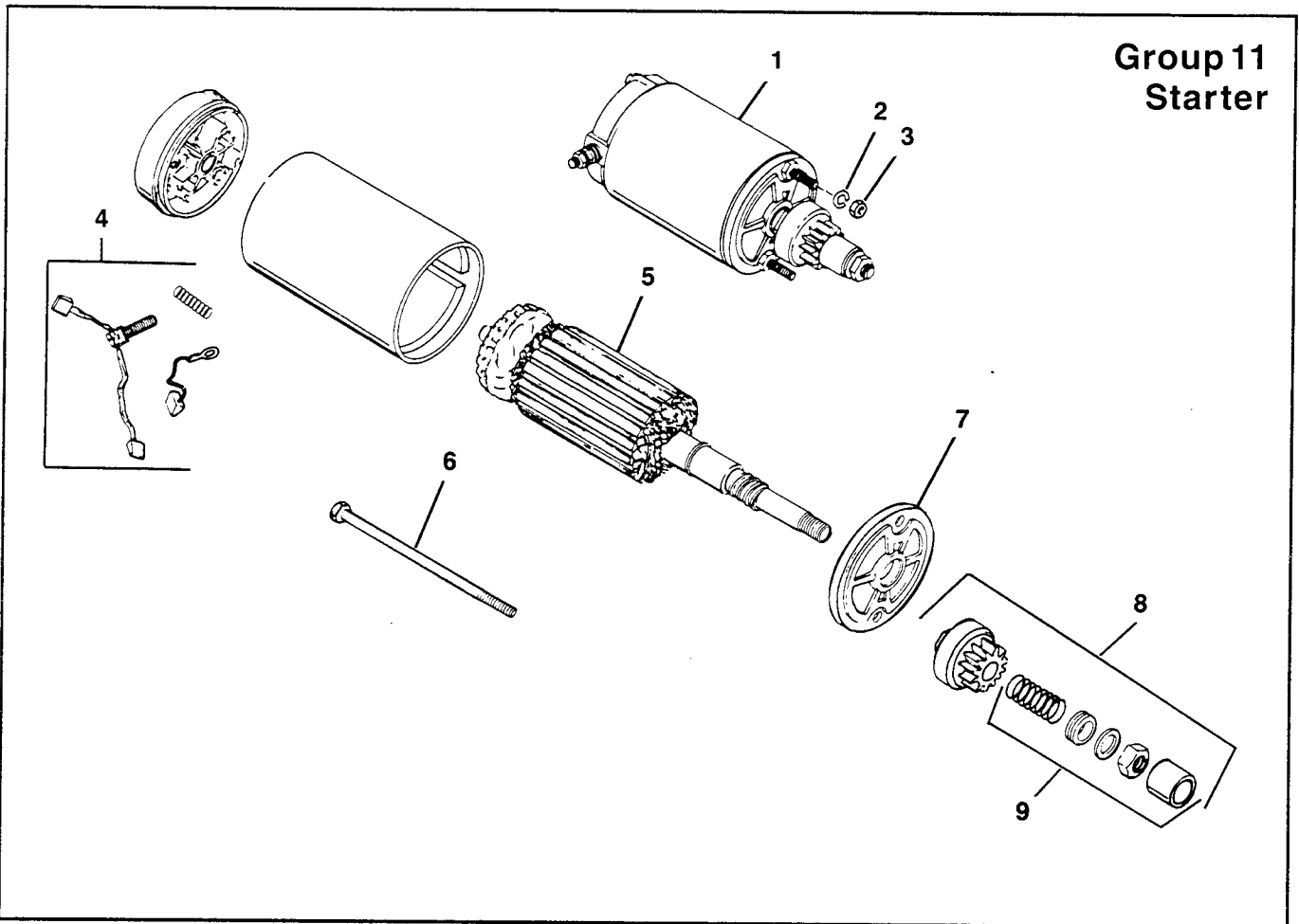
Group 10 Dipstick



Item	Qty.	Description Variation No.	Part No.
1	1	Tube, fill 2	41 123 19
2	1	O-Ring 2	41 153 01
3	1	Dipstick 2	52 038 07

SERIES 1015

Group 11 Starter

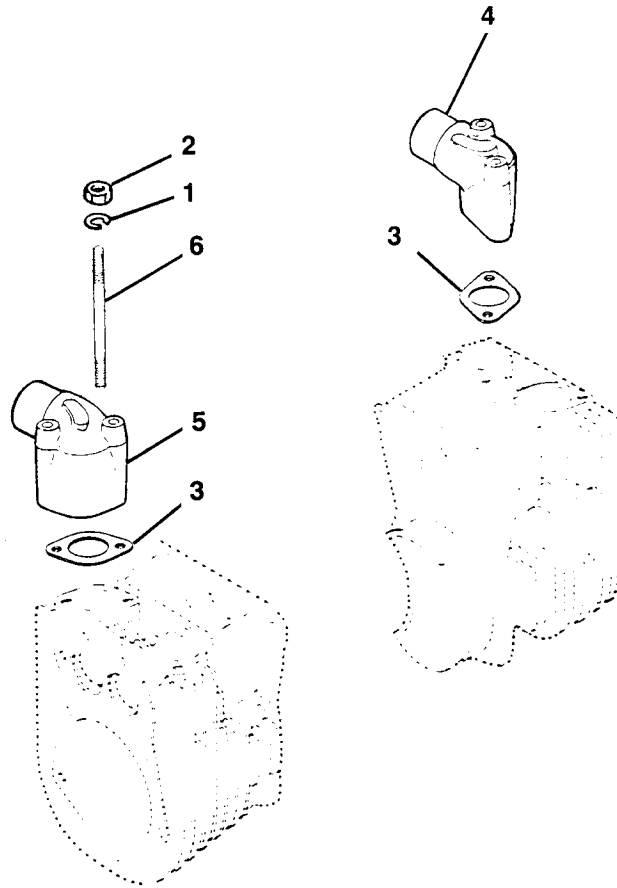


Item	Qty.	Description Variation No.	Part No.	Item	Qty.	Description Variation No.	Part No.
1	1	Starter Assembly 1	52 098 03	6	1	Bolt, thru 1	52 211 01
2	2	Washer, split lock 1/4 1	#	7	1	Drive Cap Assembly 1	52 227 01
3	2	Nut, hex 1/4-20 1	#	8	1	Kit, drive 1	52 755 05
4	1	Kit, brush and spring 1	48 755 15	9	1	Kit, drive parts 1	52 755 08
5	1	Armature 1	52 170 02				

Denotes common hardware; procure locally.

SERIES 1015

Group 12 Exhaust

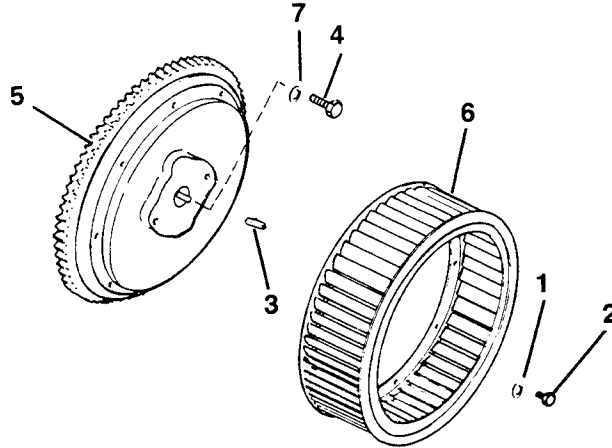


Item	Qty.	Description Variation No.	Part No.	Item	Qty.	Description Variation No.	Part No.
1	4	Washer, split lock 5/16 6	#	4	1	Elbow, exhaust #1 6	52 054 01
2	4	Nut, hex 5/16-18 6	#	5	1	Exhaust, elbow #2 6	52 054 03
3	2	Gasket, exhaust 6	52 041 10	6	4	Stud 6	52 072 13
	2	Gasket, exhaust 34	52 041 14				

Denotes common hardware; procure locally.

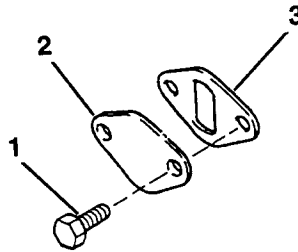
SERIES 1015

Group 13 Flywheel



Item	Qty.	Description Variation No.	Part No.	Item	Qty.	Description Variation No.	Part No.
1	8	Washer, split lock #10 39	#	5	1	Flywheel 39	52 025 24
2	8	Screw, H.C. 10-32 x 5/8 39	#	6	1	Fan 39	52 157 01
3	1	Key, square 39	X-286-17	7	1	Washer, flat 13/32 39	52 468 15
4	1	Screw, hex mach. 3/8-24 x 1 39	25 086 24				

Group 14 Fuel Pump



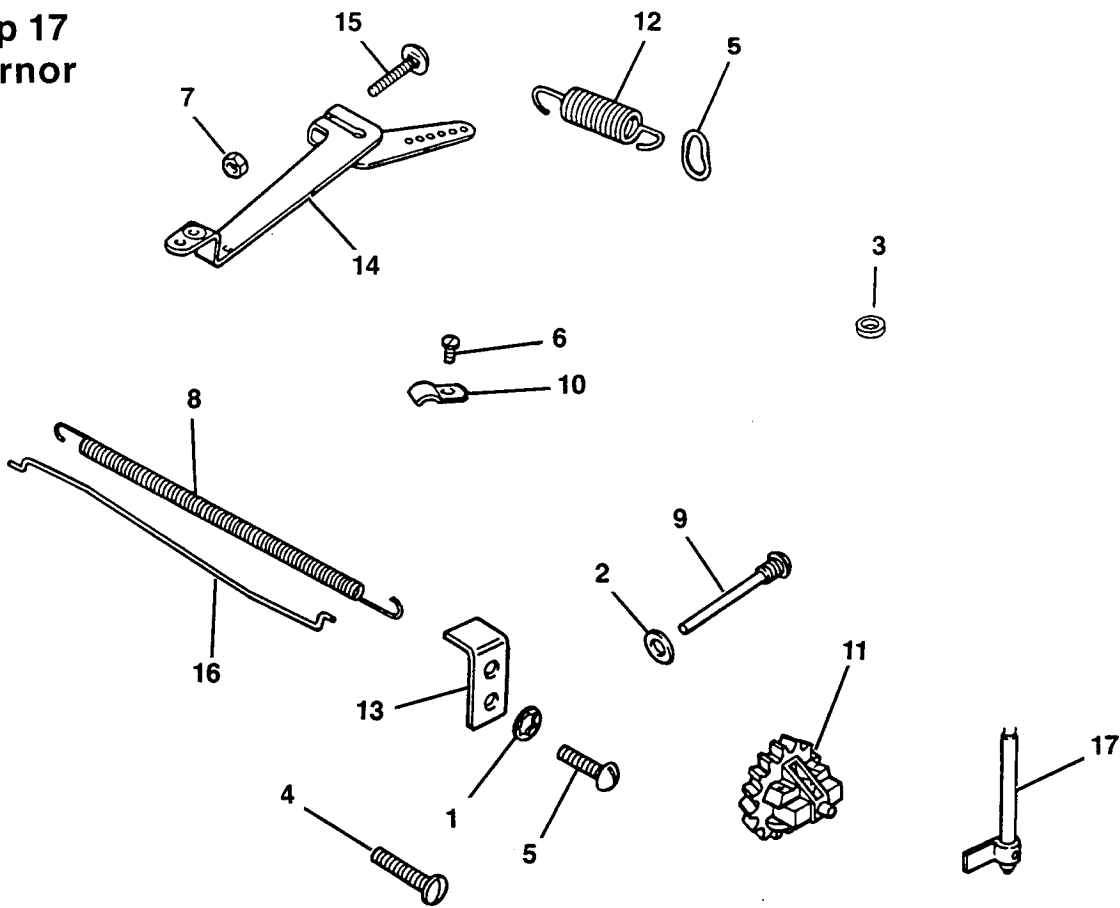
Item	Qty.	Description Variation No.	Part No.	Item	Qty.	Description Variation No.	Part No.
1	2	Screw 2	#	3	1	Gasket, fuel pump 2	25 041 05
2	1	Plate, pump 2	240282				

NOTE: Refer to Group 103, Fuel System for additional fuel system components.

Denotes common hardware; procure locally.

SERIES 1015

Group 17 Governor

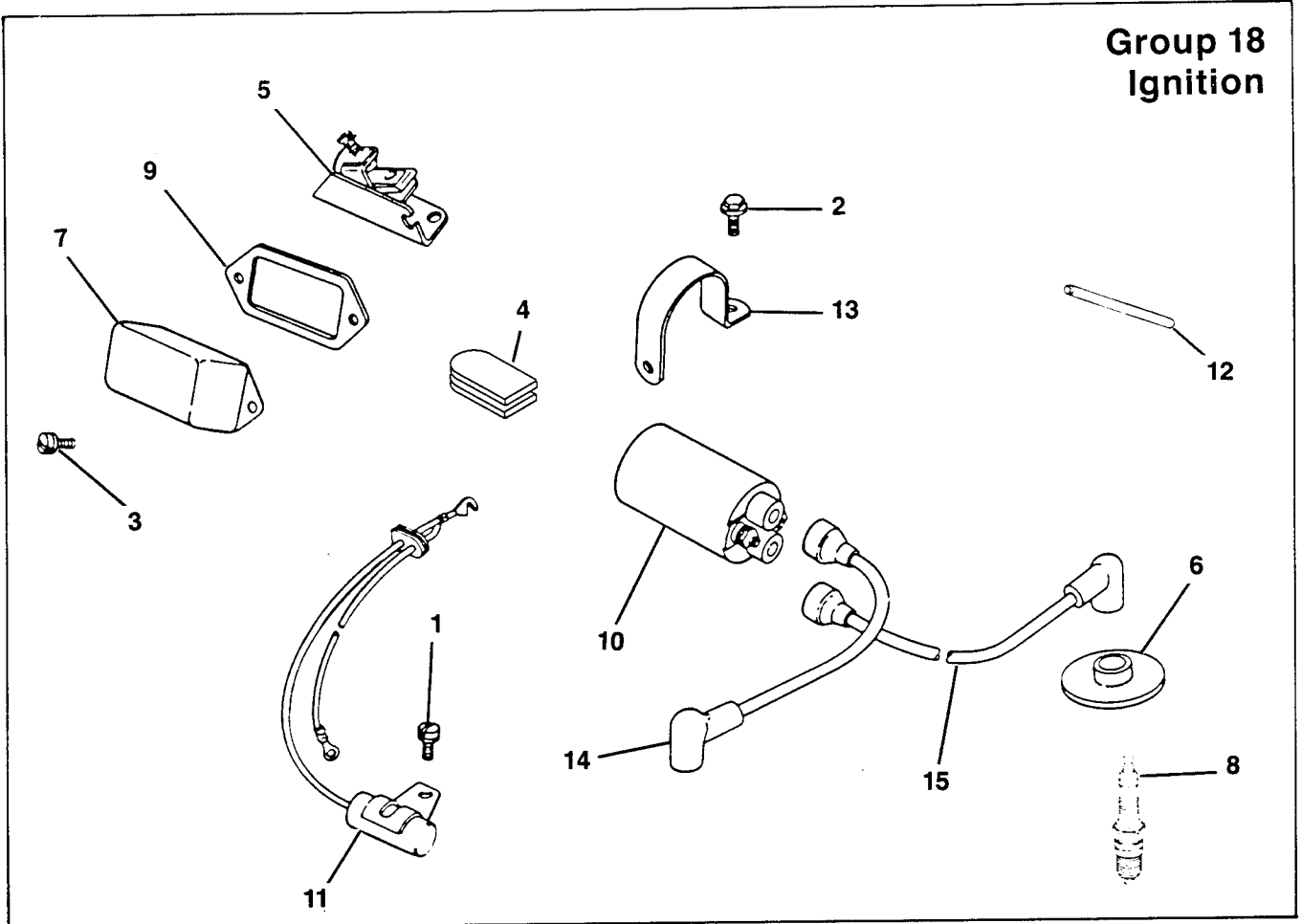


Item	Qty.	Description Variation No.	Part No.	Item	Qty.	Description Variation No.	Part No.
1	2	Washer, lock #8 3, 44	#	12	1	Spring, governor 3, 44	52 091 06
2	1	Washer, copper 17/64 3, 44	#	13	1	Bracket, governor housing 3, 44	52 126 05
3	1	Washer, plain 17/64 3, 44	#	14	1	Arm, governor 3, 44	52 186 05
4	1	Screw, R.H.M. 8-32 x 3/4 3, 44	#	15	1	Bolt, round head 3, 44	52 211 04
5	1	Screw, R.H.M. 8-32 x 3/8 3, 44	#	16	1	Linkage 3, 44	52 354 02
6	1	Screw, tapping 10-24 x 13/32 3	#	17	1	Shaft, governor 3, 44	52 420 06
7	1	Nut, hex 1/4-20 3, 44	#	18	1	Spacer (not shown) 44	X-400-122
8	1	Spring, linkage 3, 44	230117	19	1	Throttle retainer (not shown) 44	235278
9	1	Pin, governor stop 3, 44	231355	20	1	Washer, tension (not shown) 44	275690
10	1	Clamp, cable 3, 44	235778	21	1	Choke control (not shown) 44	47 090 05
11	1	Gear, governor assembly 3, 44	52 042 03	22	1	Spacer (not shown) 44	52 112 05

See group 1 for illustration of items 18-22.

Denotes common hardware; procure locally.

Group 18 Ignition

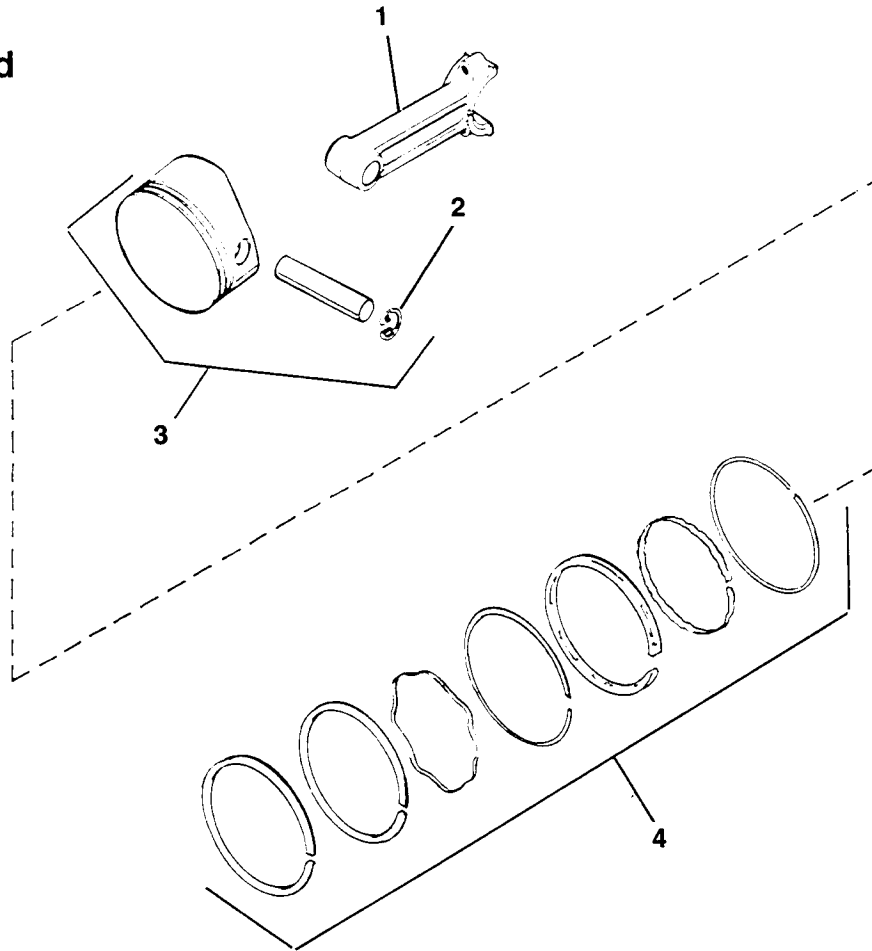


Item	Qty.	Description Variation No.	Part No.	Item	Qty.	Description Variation No.	Part No.
1	1	Screw, tapping 1/4-20 x 3/4 13	#	9	1	Gasket, point cover 13	52 041 11
2	2	Screw, self-tapping 1/4 13	#	10	1	Coil 13	52 145 03
3	4	Screw, sems F.H. 10 13	#	11	1	Condenser 13	52 147 01
4	1	Grommet 13	220297	12	1	Rod, push 13	52 411 05
5	1	Breaker 13	47 150 03	13	1	Strap, coil 13	52 455 03
6	2	Grommet, rubber 13	47 313 01	14	1	Lead, high tension (11 in.) 13	52 348 03
7	1	Cover, breaker 13	51 096 02	15	1	Lead, high tension (19 in.) 13	52 348 04
8	2	Plug, spark 13	51 132 02				

Denotes common hardware; procure locally.

SERIES 1015

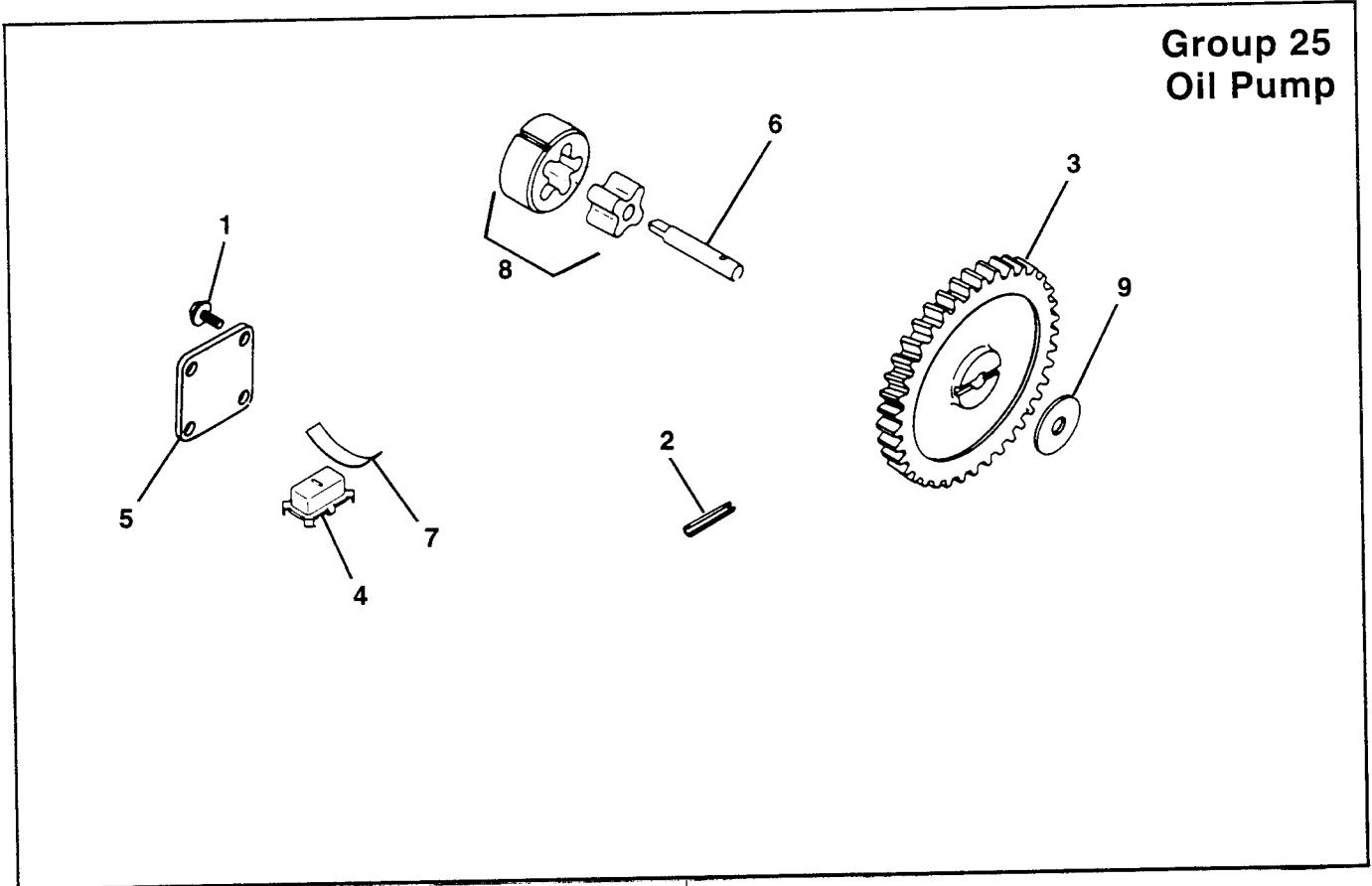
Group 22 Piston and Rod



Item	Qty.	Description Variation No.	Part No.	Item	Qty.	Description Variation No.	Part No.
1	2	Rod, connecting (std.) 22	52 067 67 14	1	1	Piston assembly (.020) 22	52 874 14 14
	2	Rod, connecting (.010) 22	52 067 68 14	1	1	Piston assembly (.030) 22	52 874 15 14
2	4	Ring, retaining 22	230004 14	4	2	Ring set (std.) 22	52 108 09 14
3	1	Piston assembly (std.) 22	52 874 11 14	2	2	Ring set (.010) 22	52 108 10 14
	1	Piston assembly (.003) 22	52 874 12 14	2	2	Ring set (.020) 22	52 108 11 14
	1	Piston assembly (.010) 22	52 074 13 14	2	2	Ring set (.030) 22	52 108 12 14

SERIES 1015

Group 25 Oil Pump

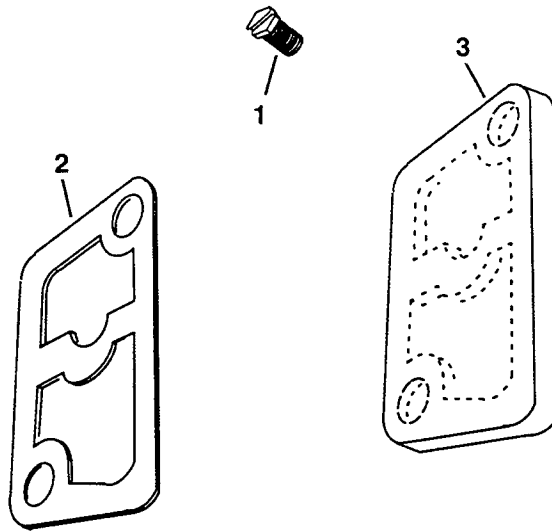


Item	Qty.	Description Variation No.	Part No.	Item	Qty.	Description Variation No.	Part No.
1	4	Screw, self-tapping 4	#	6	1	Shaft, oil pump 4	52 144 05
2	1	Pin, roll 4	X-280-25	7	1	Clamp, spring 4	52 237 02
3	1	Gear, oil pump drive 4	52 043 05	8	1	Oil pump assembly 4	52 393 09
4	1	Oil housing assembly 4	52 095 03	9	1	Shim, spacer 4	52 422 01
5	1	Cover 4	52 096 03				

Denotes common hardware; procure locally.

SERIES 1015

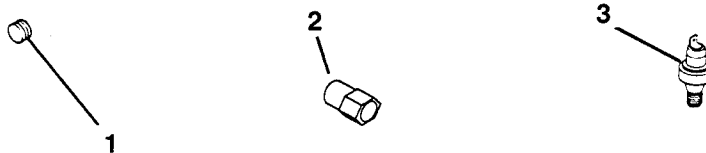
Group 29 Oil Filter



No oil filter is required.

Item	Qty.	Description Variation No.	Part No.	Item	Qty.	Description Variation No.	Part No.
1	2	Screw, socket head cap 4	X-55-15	3	1	Cover 4	52 485 04
2	1	Gasket 4	52 041 19				

Group 32 Low Oil Pressure Cutout



Item	Qty.	Description Variation No.	Part No.	Item	Qty.	Description Variation No.	Part No.
1	1	Plug, allen head pipe 3	X-75-23	3	1	Switch, pressure 3	52 099 05
2	1	Pipe, adapter 3	52 029 16				

Group 42 Short Block (not illustrated)

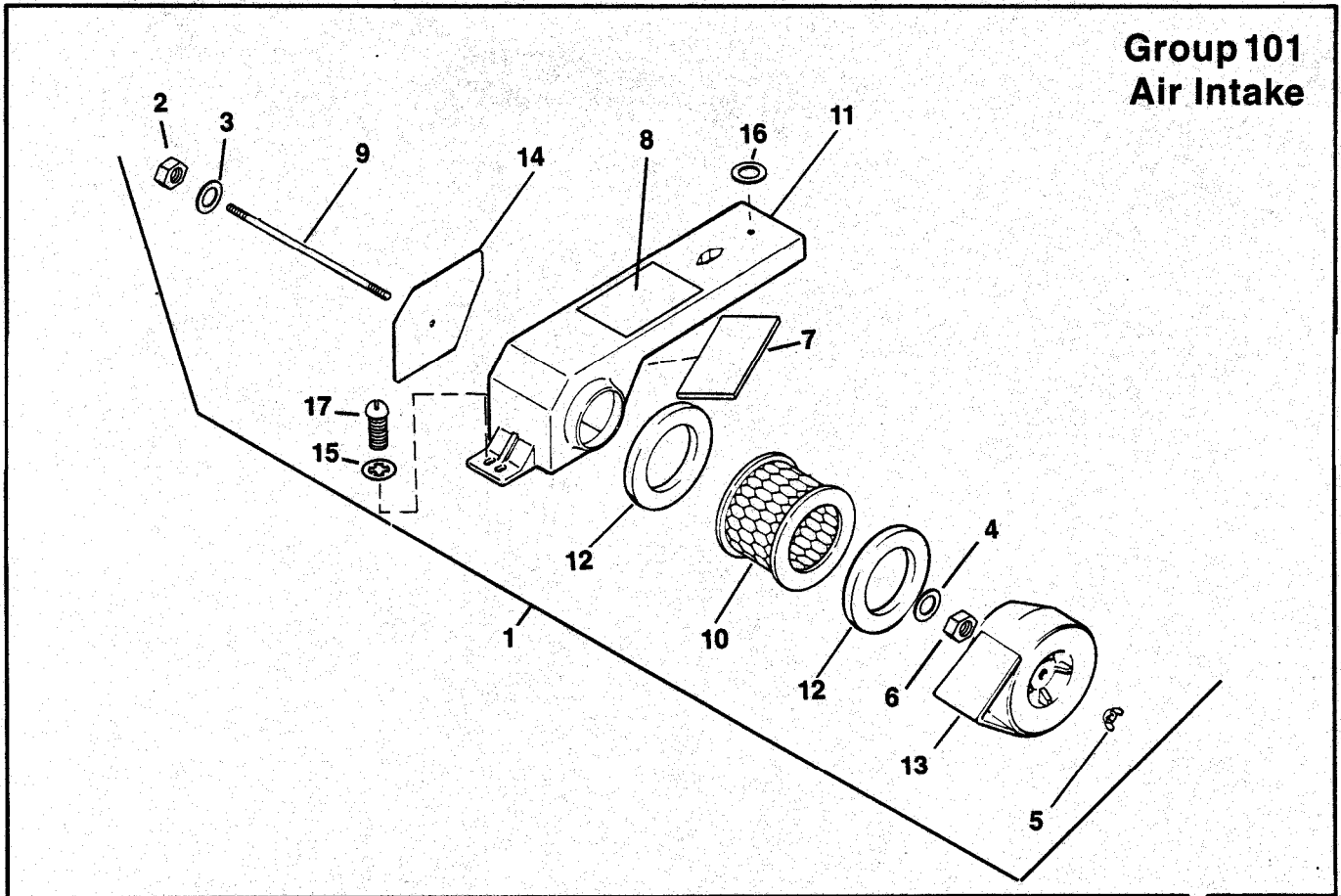
Item	Qty.	Description Variation No.	Part No.
1	1	Short block assembly* 8	52 522 99

*Includes camshaft, crankshaft, oil pump, piston, and valve assemblies.

Denotes common hardware; procure locally.

SERIES 1015

Group 101 Air Intake

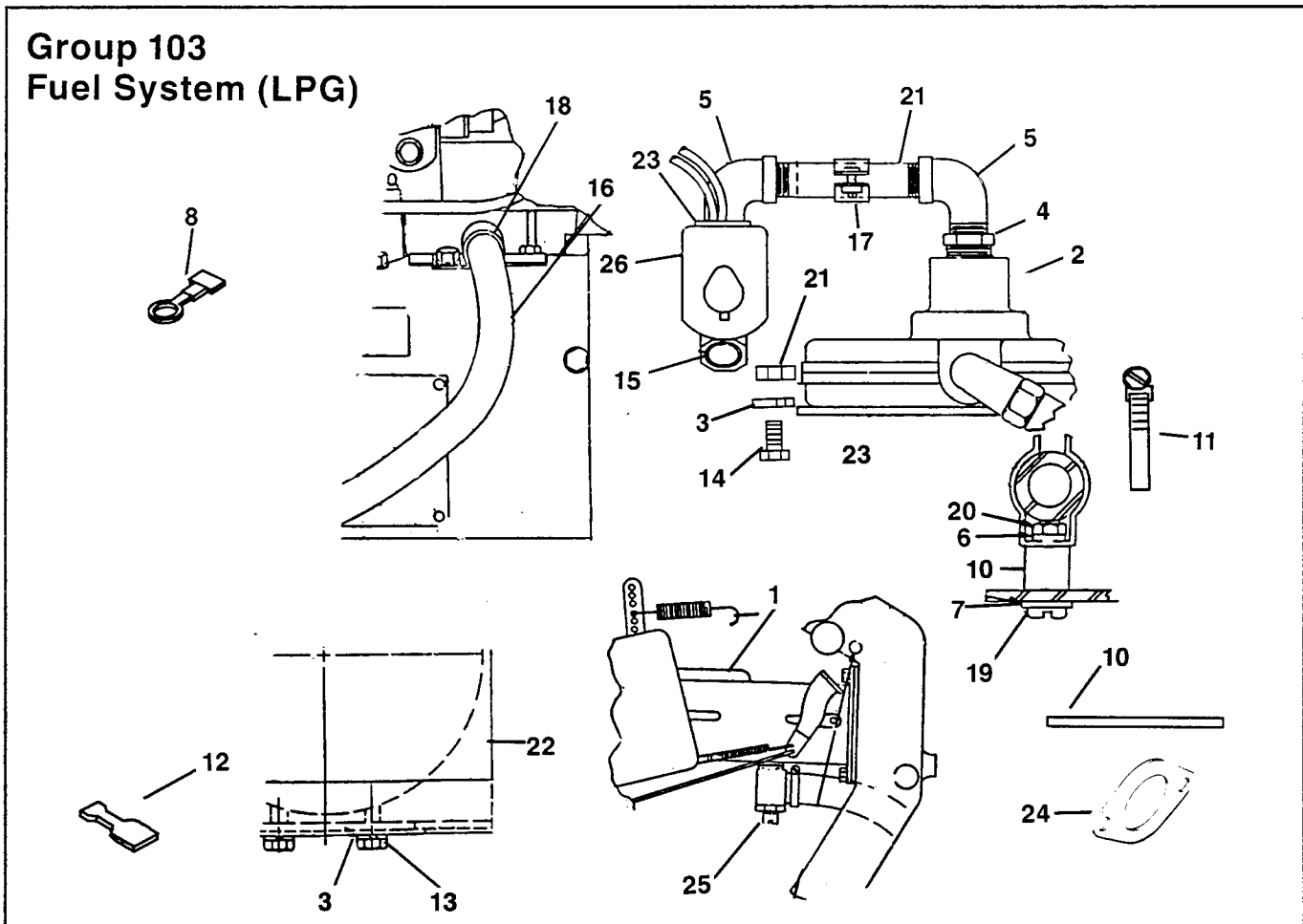


Item	Qty.	Description Variation No.	Part No.	Item	Qty.	Description Variation No.	Part No.
1	1	Air cleaner assembly (includes items 2-14, 18, 19)	C-277867	10	1	Element, air cleaner	277759
2	1	Nut, elastic stop 1/4-20	X-101-8	11	1	Duct, air intake	277838
3	1	Washer, plain 17/64 x 3/4 x 1/16	#	12	2	Gasket, air cleaner	277849
4	1	Washer, plain 17/64 x 1 x 1/16	#	13	1	Cover, air cleaner	277888
5	1	Nut, wing	#	14	1	Support	277969
6	2	Nut, hex 1/4-20	#	15	2	Washer, int./ext. tooth 1/4	#
7	2	Liner, reflective	228464	16	1	Washer, plain 17/64 x 3/4 x 1/16	#
8	1	Decal, filter replacement	238793	17	2	Screw, H.C. 1/4-20 x 1	#
9	1	Stud	270543	18	1	Decal, summer	278591
				19	1	Decal, winter	278892

Denotes common hardware; procure locally.

SERIES 1015

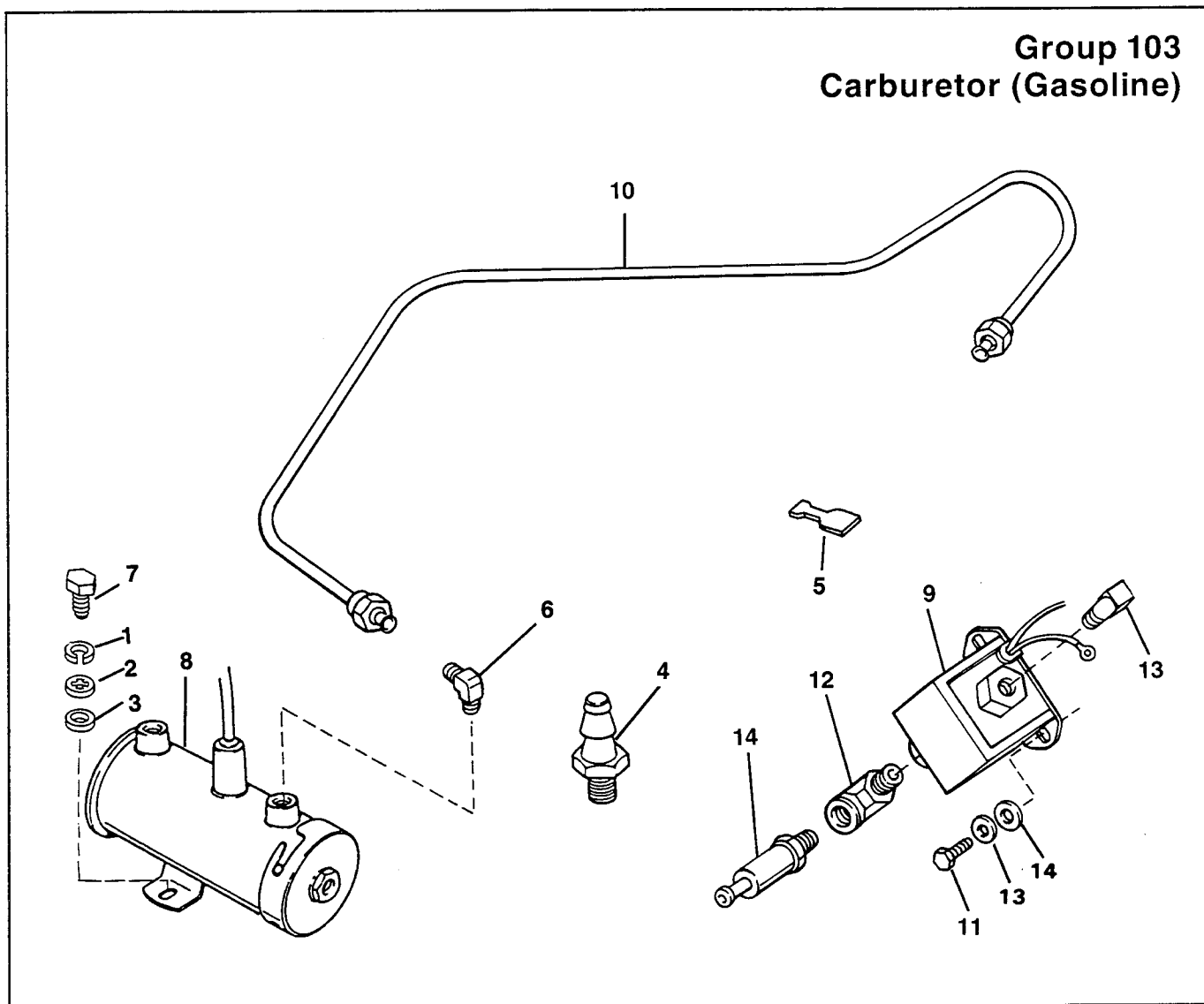
Group 103 Fuel System (LPG)



Item	Qty.	Description Variation No.	Part No.	Item	Qty.	Description Variation No.	Part No.
1	1	Carburetor assembly 3	A-277871	14	2	Screw, H.C. 1/4-20 x 1-1/4 3	X-465-8
2	1	Regulator assembly 3	B-230695	15	1	Plug, cap 3	X-519-5
3	4	Washer, split lock 1/4 3	#	16	1	Hose 3	X-6037-2
4	1	Bushing, reducer 3/8 3	X-202-23	17	1	Clamp, conduit 3	X-6065-1
5	2	Elbow, street 3/8 3	X-211-8	18	1	Clamp, insulated 3	X-672-13
6	1	Washer, lock 3/8 3	#	19	1	Screw, R.H.M. 1/4-20 x 1-1/4 3	#
7	1	Washer, plain 17/64 x 1 x 1/16 3	#	20	3	Nut, hex 1/4-20 3	#
8	1	Terminal, eyelet 3	#	21	1	Nipple, pipe 3/8 x 3-1/2 NPTF 3	153675
9	1	Connector, elbow 3	X-391-13	22	1	Bracket 3	241880
10	1	Spacer 3	X-400-109	23	1	Bushing 3	248896
11	2	Clamp, hose 1/2 3	X-426-10	24	1	Gasket, carburetor 3	271030
12	1	Terminal, spade (male) 3	X-431-38	25	1	Block, load 3	277855
13	2	Screw, N.C. 1/4-20 x 3/4 3	X-465-16	26	1	Valve, gas 3	277857

SERIES 1015

Group 103 Carburetor (Gasoline)



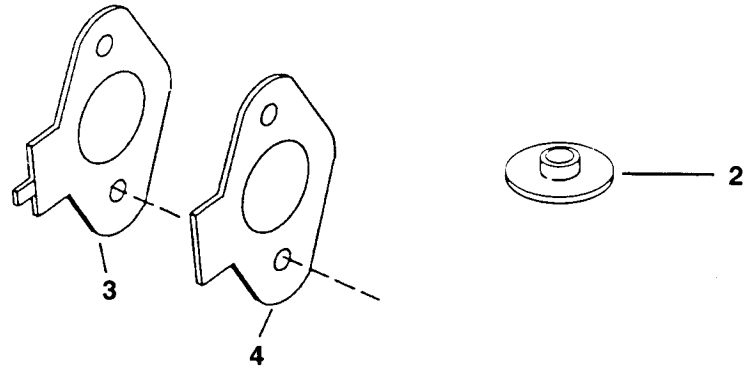
Item	Qty.	Description Variation No.	Part No.	Item	Qty.	Description Variation No.	Part No.
1	2	Washer, split lock 1/4 4, 6, 9	#	9	1	Electric fuel pump (rectangular) 9	278490
2	1	Washer, int./ext. tooth 1/4 4, 6	#	10	1	Line, fuel 4	277886
3	2	Washer, plain 17/64 x 1/2 x 1/16 4, 6, 9	#	1	1	Line, fuel 6	278387
4	1	Hose, connector 4, 6	X-380-5	1	1	Line, fuel 9	278491
5	1	Terminal 4, 6	X-431-38	11	1	Screw, H.C. 1/4-20 x 1/2 9	X-465-6
6	1	Elbow, 7/16-20 x 1/8 4, 6	X-447-10	12	1	Elbow, street 9	X-555-2
7	2	Screw, H.C. 1/4-28 x 1/2 3, 6	#	13	1	Elbow, 45° 9	X-6235-1
8	1	Electric fuel pump (round) 4, 6	277818	14	1	Filter, fuel 9	249433

NOTE: Additional gasoline fuel system components are listed in Carburetor (Gasoline) Group 5.

Denotes common hardware; procure locally.

SERIES 1015

Group 105 Engine

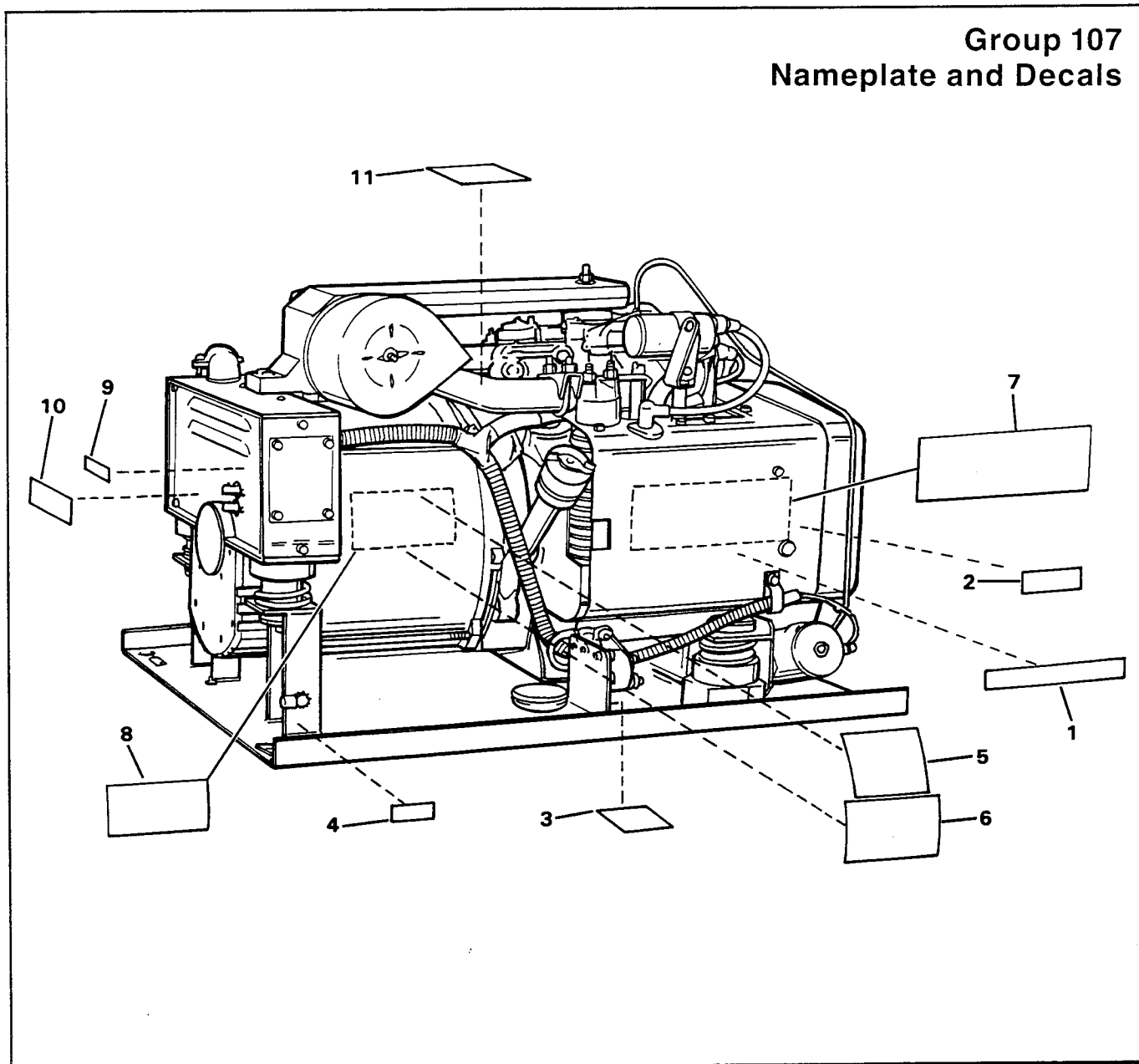


NOTE:
Engine assembly not shown.

Item	Qty.	Description Variation No.	Part No.	Item	Qty.	Description Variation No.	Part No.
1	1	Engine assembly 200 (engine spec 24307)	A-278392	1	1	Engine assembly 5 (engine spec 24365)	A-278347
	1	Engine assembly 300 (engine spec 24364)	A-278251	2	2	Grommet, spark plug 5, 6	278121
	1	Engine assembly 400 (engine spec 24307)	A-278392	3	1	PTC assembly 6	278445
	1	Engine assembly 6 (engine spec 24366)	A-278443	4	1	Gasket, PTC 6	278528

SERIES 1015

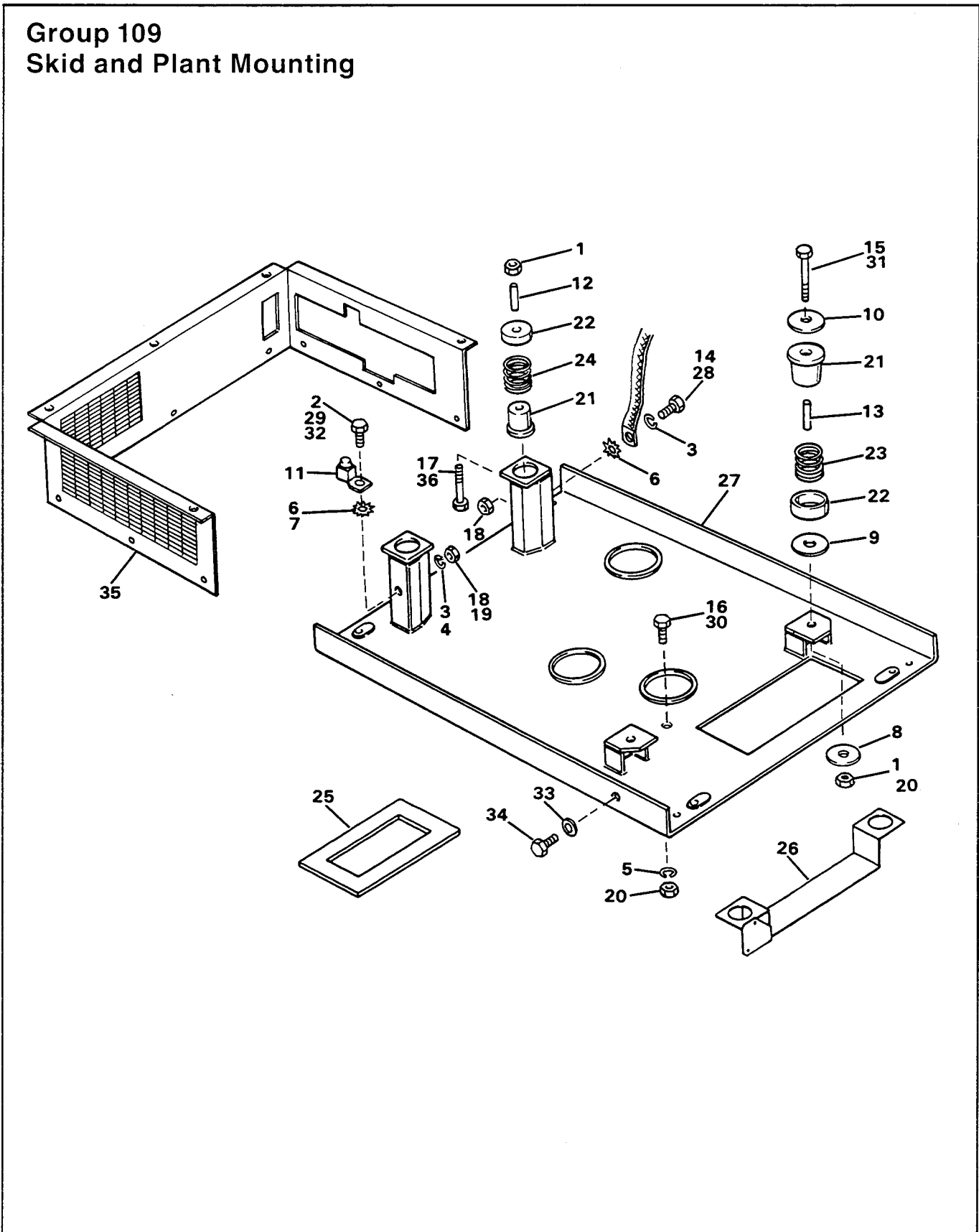
Group 107 Nameplate and Decals



Item	Qty.	Description Variation No.	Part No.	Item	Qty.	Description Variation No.	Part No.
1	1	Decal, RV installation 6, 7, 9, 11-13	237998	8	1	Decal, 4500 6	278114
2	1	Decal, UL 6, 11, 12	238092	9	1	Decal, circuit protector 7, 9, 11-14, 21	238578
	1	Decal, UL 7, 9, 13, 21	239772	10	1	Decal, "Backfeed" warning 7, 9, 11-13	239587
3	1	Decal, positive terminal 6, 7, 9, 11-14, 21	238402	11	1	Decal, "Hot Exhaust" warning 7, 9, 13, 14, 21	249809
4	1	Decal, ground 6, 7, 9, 11-14, 21	238575	12	1	Decal, hazardous voltage (not shown) 9, 13, 14, 21	239771
5	1	Nameplate, clearance/fuel req. 6, 9, 11, 13	239238	13	1	Decal, fire hazard (not shown) 9, 13, 14, 21	239773
6	1	Nameplate, service schedule 6, 7, 9, 11-14, 21	239437	14	1	Decal, carbon monoxide (not shown) 9, 13, 14, 21	239796
7	1	Decal, Kohler 6	278113				

SERIES 1015

Group 109 Skid and Plant Mounting



SERIES 1015

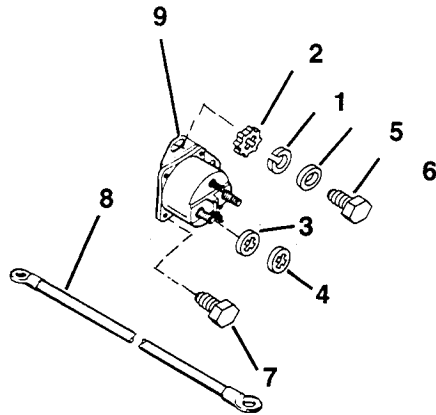
Group 109 Skid and Plant Mounting

Item	Qty.	Description Variation No.	Part No.	Item	Qty.	Description Variation No.	Part No.
1	4	Nut, lock 3/8-16 8-12, 16-18, 20, 21	#	4	4	Nut, hex 3/8-16 8	#
2	1	Screw, hex head 5/16-18 x 3/4 8	#	21	4	Mount, tee 8-12, 16-18, 20, 21	237451
3	1	Washer, split lock 1/4 8	#	22	4	Mount, cup 8-12, 16-18, 20, 21	237452
	2	Washer, split lock 1/4 9-12, 16-18, 20, 21	#	23	2	Spring, compression 8-12, 16-18, 20, 21	238034
4	1	Washer, split lock 5/16 8	#	24	2	Spring 8-12, 16-18, 20, 21	238063
5	2	Washer, split lock 3/8 8-10, 12, 16-18, 20, 21	#	25	1	Insulator 8-12, 16-18, 20, 21	277758
	2	Washer, split lock 3/8 11	#	26	1	Bracket, engine mtg. 8-12	277837
6	1	Washer, int./ext. tooth 1/4 8	#	1	1	Bracket, engine mtg. 16-18, 20, 21	278489
	2	Washer, int./ext. tooth 1/4 9-12, 16-18, 20, 21	#	27	1	Tray 8, 10	277989
7	1	Washer, int./ext. tooth 5/16 8	#	1	1	Tray 9	277988
8	4	Washer, plain 7/16 x 1 x 5/64 8-12, 16-18, 20, 21	#	1	1	Tray 11, 20	278359
9	4	Washer, plain 3/4 x 2-1/4 x 7/64 8-12, 16-18, 20, 21	#	1	1	Tray 12, 16	278310
10	4	Washer, plain 3/8 x 2 x 7/64 8-12, 16-18, 20, 21	#	1	1	Tray 18, 21	278511
11	1	Terminal, ground 8	X-377-11	1	1	Tray 17	278510
	1	Terminal, ground 9-12, 16-18, 20, 21	X-377-12	28	1	Screw, H.C. 1/4-20 x 5/8 9	#
12	2	Spacer 8-12, 16-18, 20, 21	X-400-108	29	1	Screw, H.C. 1/4-20 x 3/4 9	#
13	2	Spacer 1/2 x 3/8 x 2-7/8 8-12, 16-18, 20, 21	X-400-84	30	2	Screw, H.C. 3/8-16 x 1-1/4 9	#
14	1	Screw, H.C. 1/4-20 x 5/8 8, 10-12, 16-18, 20, 21	X-465-2	31	2	Screw, H.C. 3/8-16 x 3-3/4 9	#
15	2	Screw, H.C. 3/8-16 x 3-3/4 8, 10-12, 16-18, 20, 21	X-6238-20	32	1	Screw, H.C. 1/4-20 x 3/4 10-12, 16	X-465-16
16	2	Screw, H.C. 3/8-16 x 1-1/4 8, 10-12, 16-18, 20, 21	X-6238-4	33	9	Washer, plain 13/32 x 13/16 x 1/16 11	#
17	2	Screw, hex head machine 8-12	#	34	9	Screw, H.C. 3/8-16 x 5/8 11	#
18	1	Nut, hex 1/4-20 8	#	35	1	Tray, support 11, 20, 21	278389
	2	Nut, hex 1/4-20 9-12, 16-18, 20, 21	#	1	1	Tray, support 18	278455
19	1	Nut, hex 5/16-18 8	#	36	2	Screw, H.D. 3/8-16 x 3-1/2 16	X-6238-12
20	2	Nut, hex 3/8-16 9-12, 16-18, 20, 21	#				

Denotes common hardware; procure locally.

SERIES 1015

Group 112 Starter

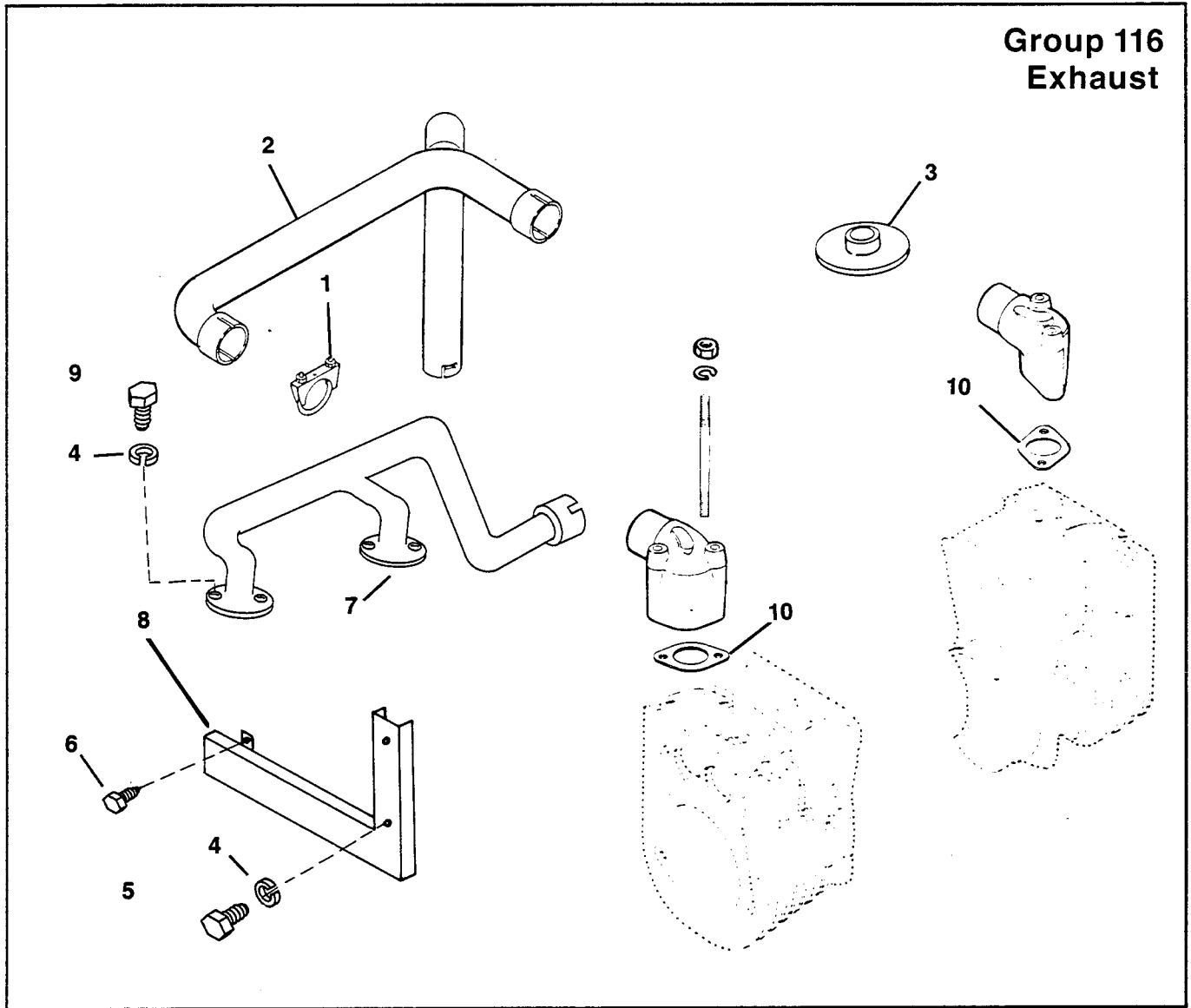


Item	Qty.	Description Variation No.	Part No.	Item	Qty.	Description Variation No.	Part No.
1	2	Washer, split lock 1/4 1	#	6	1	Screw, H.C. 1/4-20 x 5/8 1	X-465-2
2	1	Washer, int./ext. tooth 1/4 1	#	7	1	Screw, H.C. 1/4-20 x 1/2 1	X-465-6
3	2	Washer, int. tooth 5/16 1	#	8	1	Cable, battery 1	X-545-28
4	2	Washer, int. tooth #10 1	#	9	1	Switch, relay (starter solenoid) 1	248846
5	2	Washer, plain 17/64 x 9/16 x 1/16 # 1	#				

Denotes common hardware; procure locally.

SERIES 1015

Group 116 Exhaust



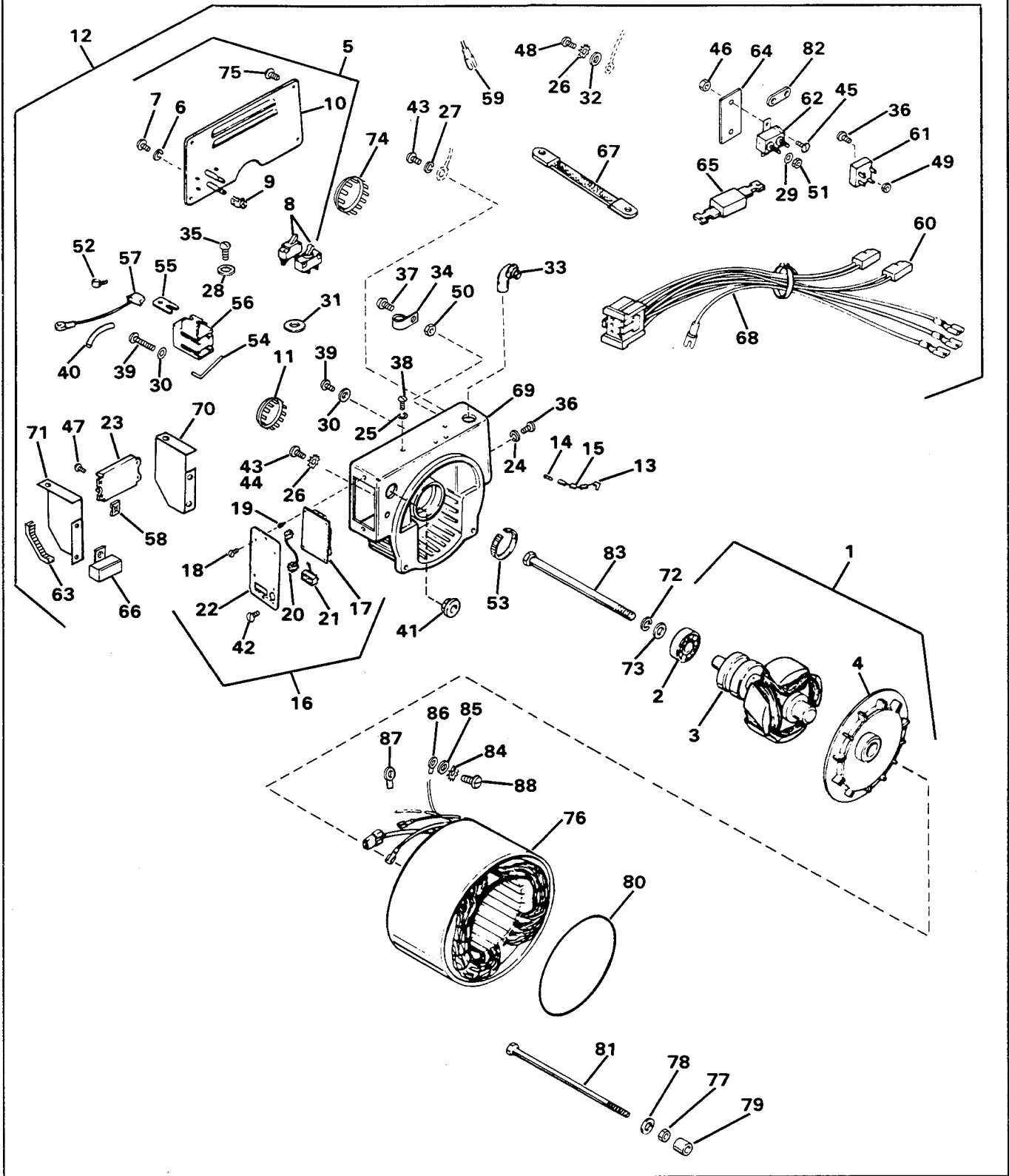
Item	Qty.	Description Variation No.	Part No.	Item	Qty.	Description Variation No.	Part No.
1	2	Clamp, muffler 1, 2, 4, 5	237548	6	4	Screw, drill #8-18 x 7/16 4, 5, 6, 7	X-794-2
2	1	Tube, exhaust 1	277774	7	1	Manifold, straight exhaust 4, 5	278233
	1	Tube, exhaust 2	277865		1	Manifold, flanged exhaust 6, 7	278311
3	2	Grommet, spark plug 1, 2, 4, 5	278121		1	Manifold, flanged exhaust 8	278312
4	2	Washer, split lock 5/16 4	#	8	1	Baffle, heat 4, 6	278234
	4	Washer, split lock 5/16 7, 8	#		1	Baffle, heat 5, 7	278390
6	4	Washer, split lock 5/16 6	#	9	4	Screw, hex socket hd. 5/16-18 x 3/4 6, 7, 8	#
5	2	Screw, H.C. 5/16-18 x 1/2 4, 6	#	10	2	Gasket, exhaust 6, 7, 8	278306

NOTE: See Engine Exhaust Group 112 for additional exhaust system components.

Denotes common hardware; procure locally.

SERIES 1015

Group 201 Generator and Mounting



SERIES 1015

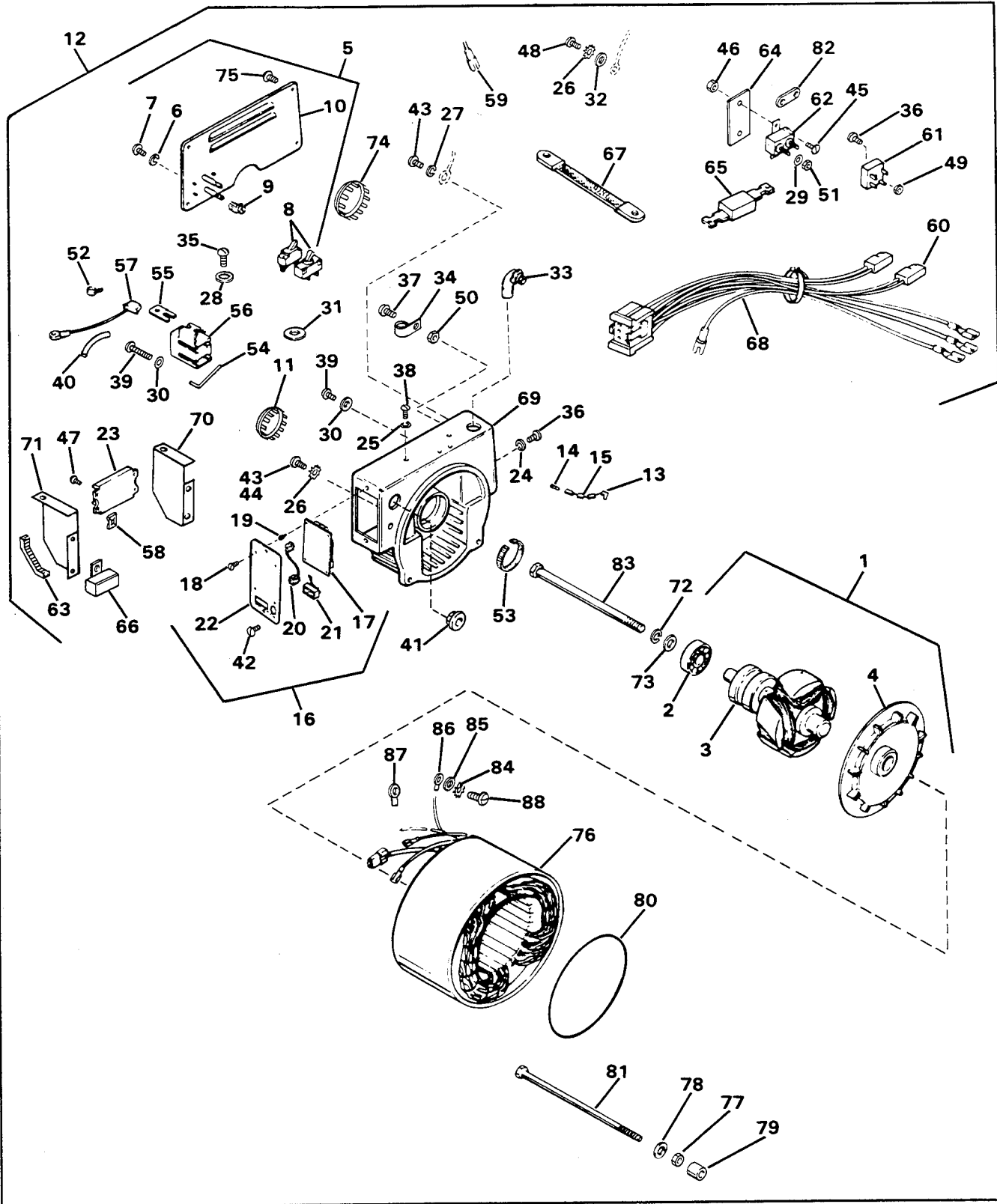
**Group 201
Generator and Mounting - cont'd.**

Item	Qty.	Description Variation No.	Part No.	Item	Qty.	Description Variation No.	Part No.
1	1	Rotor assembly (includes items 2-4) 9-11, 14, 16, 19-24	A-277991	17	1	Circuit board assembly 9-11, 14, 16, 19-24	F-239396
2	1	Bearing, ball 9-11, 14, 16, 19-24	X-758-1	18	4	Screw, thread forming 6-32 x 1/4	#
3	1	Ring, collector 9-11, 14, 16, 19-24	238134	19	4	Spacer 9-11, 14, 16, 19-24	239405
4	1	Fan, generator 9-11, 14, 16, 19-24	277748	20	1	Harness, wiring 9-11, 14, 16, 19-24	239410
5	1	Panel assembly (includes items 6-10) 9, 10, 14, 16, 20, 21	A-278043	21	1	Switch, rocker (See Note) 9-11, 16, 19-24	249406
	1	Panel assembly (includes items 6-11) 11, 22	A-278036		1	Switch, rocker 14	269176
	1	Panel assembly (includes items 6-10) 19, 23, 24	A-278064	22	1	Panel 9-11, 16, 19-24	278332
6	4	Washer, split lock #6 9-11, 14, 16, 19-24	#		1	Panel 14	239452
7	4	Screw, R.H.M. 6-32 x 1/4 9-11, 14, 16, 19-24	#	23	1	Regulator assembly 9-11, 16, 19-24	228602
8	2	Breaker, circuit (20 Amp./1-Pole) 9, 10, 14, 16, 19-24	233866	24	1	Washer, split lock #6 10, 21	#
	1	Breaker, circuit (20 Amp./1-Pole) 19, 23, 24	233866	25	2	Washer, split lock #10 9-11, 14, 16, 19-24	#
	1	Breaker, circuit (30 Amp./1-Pole) 11, 19, 22-24	233835	26	2	Washer, int./ext. tooth #10 9-11, 14, 16, 19-24	#
9	4	Adapter, terminal 9-11, 14, 16, 19-24	241973	27	2	Washer, int./ext. tooth #8 9-11, 14, 16, 19-24	#
10	1	Panel 9-11, 14, 16, 19-24	278035	28	2	Washer, internal tooth #6 9-11, 16, 19-24	#
11	1	Plug, button 11, 22	X-301-13	29	2	Washer, internal tooth #10 10, 21	#
12	1	End bracket assembly 9, 16, 20	A-278324	30	2	Washer, plain #8 9-11, 14, 16, 19-24	#
	1	End bracket assembly 10, 21	A-278327	31	1	Washer, plain 17/64 x 9/16 x 1/16 9-11, 16, 19-24	#
	1	End bracket assembly 11, 22	A-278412	32	1	Washer, plain 13/64 x 9/16 x 1/16 14	#
	1	End bracket assembly 14	A-278124	33	1	Connector, conduit 9-11, 14, 16, 19-24	X-252-13
	1	End bracket assembly 19, 23, 24	A-278382	34	1	Clip, wire 1/2 9, 11, 14, 16, 19-24	X-339-6
13	1	Fuse holder assembly (includes items 14 and 15) 9-11, 14, 16, 19-24	A-278160		1	Clip, wire 10, 21	X-339-8
14	1	Fuse, 5 Amp. 9-11, 14, 16, 19-24	239298	35	2	Screw, R.H.M. 6-32 x 5/16 9-11, 14, 16, 19-24	#
15	1	Holder, in-line fuse 9-11, 14, 16, 19-22	269216	36	1	Screw, R.H.M. 6-32 x 3/4 10, 21	#
16	1	Controller assembly (includes items 17-22) 9-11, 16, 19-24	A-278328	37	1	Screw, R.H.M. 10-24 x 3/4 9-11, 14, 16, 19-24	#
	1	Controller assembly (includes items 17-22) 14	A-239453	38	2	Screw, R.H.M. 10-24 x 7/16 9-11, 14, 16, 19-24	#
				39	2	Screw, R.H.M. 10-24 x 7/16 9-11, 14, 16, 19-24	#
				40	2	Sleeving 9-11, 14, 16, 20-24	X-6004-3
				41	1	Bushing 9-11, 14, 16, 19-24	X-634-15

NOTE: Hole in item 22 (panel) needs to be enlarged for switch to fit.
Denotes common hardware; procure locally.

SERIES 1015

Group 201 Generator and Mounting



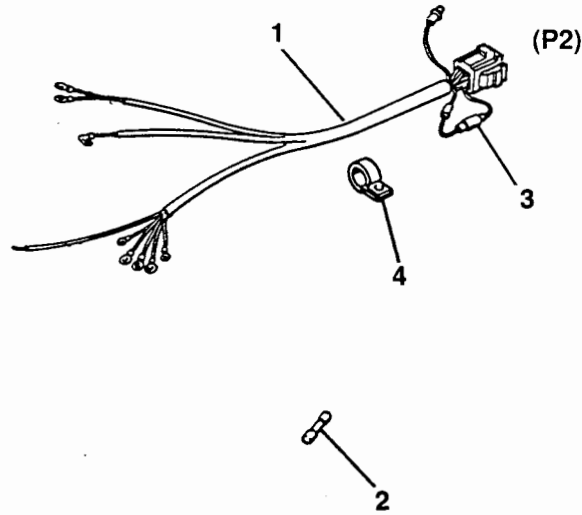
SERIES 1015

**Group 201
Generator and Mounting - cont'd.**

Item	Qty.	Description Variation No.	Part No.	Item	Qty.	Description Variation No.	Part No.
42	2	Screw, self-tapping 10-32 x 3/8 9-11, 14, 16, 19-24	#	69	1	Bracket, end 9-11, 16, 19-24	278323
43	2	Screw, self-tapping 8-32 x 3/8 10, 11, 19, 21-24	#		1	Bracket, end 14	278042
44	2	Screw, tapping 8-32 x 1/2 9, 11, 14, 16, 19-24	#	70	1	Bracket, L.H. 9-11, 16, 19-24	278398
45	2	Screw, nylon 10, 21	X-631-5		1	Bracket, L.H. 14	277985
46	2	Nut, nylon 10, 21	X-632-5	71	1	Bracket, R.H. 9-11, 16, 19-24	278399
47	4	Screw, RV #8 9-11, 14, 16, 19-24	#		1	Bracket, R.H. 14	277986
48	1	Screw, thread joining 9-11, 14, 16, 19-24	#	72	1	Washer, split lock 1/2 9-11, 14, 16, 19-24	#
49	1	Nut, hex 6-32 10, 21	#	73	2	Washer, plain 9/16 x 1/4 x 5/32 9-11, 14, 16, 19-24	#
50	2	Nut, hex 10-24 9-11, 14, 16, 19-24	#	74	1	Button, plug 2-1/2 9-11, 14, 16, 19-24	X-301-14
51	2	Nut, hex 10-32 10, 21	#	75	4	Screw, hex head 10/24 x 1/2 9-11, 14, 16, 19-24	#
52	2	Spring 9-11, 14, 16, 19-24	238150	76	1	Stator 9-11, 16, 20-22, 24	278210
53	1	Ring, tolerance 9, 10, 14, 16, 19-24	238211		1	Stator 14	277987
54	1	Retainer, wire (service tool) 9-11, 14, 16, 19-24	238247		1	Stator 19, 23	278454
55	1	Shim, brush holder 9-11, 14, 16, 19-24	238248	77	4	Nut, nylon 16, 19, 23	X-632-1
56	1	Holder, brush 9-11, 14, 16, 19-24	239247	78	4	Washer, hardened 9-11, 14, 16, 19-24	X-801-2
57	2	Brush 9-11, 14-16, 19-24	239282	79	4	Spacer 16, 19	278406
58	4	Clip, speed 9-11, 14, 16, 19-24	239332	80	1	Guard, fan 9-11, 14, 16, 19-24	238214
59	1	Connector 10, 21	236979	81	4	Bolt, over 9-11, 16, 19-24	238911
60	1	Terminal 10, 21	269166		4	Bolt, over 14	238213
61	1	Rectifier, bridge 10, 21	241610	82	1	Terminal, jumper 9, 14, 16, 20, 23, 24	241972
62	1	Breaker, circuit (8 Amp.) 10, 21	259459	83	1	Bolt, thru 9-11, 14, 16, 19-24	242893
63	2	Grommet, nylon 9-11, 14, 16, 19-24	239429	84	1	Washer, int./ext. tooth #10 10	#
64	1	Insulator 10, 21	277944	85	1	Washer, plain #8 10, 14	#
65	1	Diode 9-11, 14, 16, 19-24	241739	86	1	Terminal, stator lead #1 10, 21	X-283-11
66	1	Relay 19	259391	87	1	Terminal, stator lead #2 10, 21	X-283-5
67	1	Strap, ground 9-11, 14, 16, 19-24	277839	88	1	Screw, tapping 8-32 x 1/2 10, 21	#
68	1	Harness, wiring 9, 11, 14, 16, 19-24	278139	89	1	Terminal, 2 pos. (not shown) 21	269165
	1	Harness wiring 10, 21	278140				

SERIES 1015

Group 301 Controller and Mounting



Item	Qty.	Description Variation No.	Part No.	Item	Qty.	Description Variation No.	Part No.
1	1	Harness assembly 11, 12	A-277999	2	1	Fuse, 10 Amp. 11-14, 16, 20, 22	223316
	1	Harness assembly 13, 14, 16	A-278038	3	1	Holder, in-line fuse 11-14, 16, 20, 22	269216
	1	Harness assembly 20	278380	4	1	Connector 11, 12	236977
	1	Harness assembly 21, 22	278486		2	Clamp 11, 13, 16, 18, 21-24, 26, 27	X-672-10
	1	Harness, wiring 23	278505		1	Clamp 12, 14, 19, 20, 25	X-672-10
	1	Harness, wiring 24	278506	5	1	Harness, remote wiring (not shown) 21, 26	278372
	1	Harness, wiring 25, 26	278503	6	1	Relay (not shown) 23-27	259391
	1	Harness, wiring 27	278504				
	1	Harness, wiring 18, 19	278488				

SERIES 1015

Gasket Set

52 755 93 (Includes Seals)

Description	Part Number	Description	Part Number
Seal, oil	X-583-5	Gasket, cylinder barrel	52 041 04
Gasket, carburetor	271030	Gasket, intake	52 041 09
Gasket, air cleaner	277093	Gasket, exhaust manifold	52 041 10
Gasket, fuel pump	25 041 05	Gasket, point cover	52 041 11
Gasket, air cleaner	25 041 06	Gasket, closure plate	52 041 15
Seal, breather	52 032 04	Gasket, cylinder head	52 041 18
Seal, oil	52 032 08	Gasket,	52 041 19
Seal, oil	52 032 10	Gasket, valve cover	52 055 01
Seal, valve	52 032 13	Gasket, air cleaner	52 055 04

Literature

Description	Part Number	Description	Part Number
Service Manual, Kohler KT-17 engine	TP-2043	Operation Manual, 4.5CKM-RV	TP-5167
Parts Catalog, 4.5CKM-RV	TP-5146	Service Manual, 4.5CKM-RV Generator	TP-5206

SERIES 1015

Accessories

Description	Qty.	Part Number	Description	Qty.	Part Number
Anti-icing Kit		278544	Muffler Kit (Flanged Exhaust) Street Side		PA-278317
Gasket, anti-icing	1	25 041 08	Screw, H.C. 5/16-18 x 1-1/4	1	#
Anti-icing assembly	1	25 319 01	Washer, split lock 5/16	1	#
Generator Paint			Washer, split lock 3/8	1	#
Kohler Cream Beige (gallon)	1	221322	Screw, hex flange 5/16-18 x 5/8	2	X-6217-1
Kohler Cream Beige (spray can)	1	221323	Screw, H.C. 3/8-16 x 1-1/4	1	X-6238-4
Muffler Kit (Straight Exhaust) Curb Side		PA-277789	Nut, hex 5/16-18	1	#
Washer, split lock 5/16	1	#	Nut, hex 3/8-16	1	#
Washer, split lock 3/8	1	#	Clamp, muffler	2	237548
Pin, cotter 1/8 x 2	1	#	Muffler	1	239724
Screw, H.C. 5/16-18 x 1-1/4	1	#	Strap, muffler mounting	1	277725
Screw, H.C. 3/8-16 x 1-1/4	1	X-6238-4	Bracket	1	277791
Nut, hex 5/16-18	1	#	Elbow, exhaust	1	278315
Nut, hex 3/8-16	1	#	Gasket, exhaust	1	278320
Clamp, muffler	1	237548	Muffler Mounting (Flanged Exhaust) R.S.		PA-278321
Muffler	1	238391	Top Outlet		
Strap, muffler mounting	1	277725	Screw, H.C. 5/16-18 x 1/2	2	#
Bracket	1	277791	Washer, split lock 5/16	6	#
Arrestor, spark	1	277795	Screw, H.C. 1/4-20 x 1/2	1	X-465-6
Muffler Kit (Straight Exhaust) Street Side		PA-277790	Screw, hex socket head 5/16-18 x 3/4	4	#
Washer, split lock 5/16	1		Screw, drill	4	X-794-2
Washer, split lock 3/8	1		Clamp, muffler	3	237548
Pin, cotter 1/8 x 2	1		Muffler	1	278232
Screw, H.C. 5/16-18 x 1-1/4	1		Baffle, heat	1	278234
Screw, H.C. 3/8-16 x 1-1/4	1	X-6238-4	Gasket, exhaust	2	278306
Nut, hex 5/16-18	1		Manifold, exhaust	1	278311
Nut, hex 3/8-16	1		Muffler Mounting (Flanged Exhaust) L.S.		PA-278413
Clamp, muffler	1	237548	Bottom Outlet		
Elbow, exhaust	1	238389	Screw, H.C. 5/16-18 x 1/2	2	#
Muffler	1	238391	Washer, split lock 5/16	6	#
Strap, muffler mounting	1	277725	Screw, H.C. 1/4-20 x 1/2	1	X-465-6
Bracket	1	277791	Screw, hex socket head 5/16-18 x 3/4	4	#
Arrestor, spark	1	277795	Screw, drill	4	X-794-2
Muffler Mtg. (Straight Exhaust) R.S.		PA-278235	Clamp, muffler	3	237548
Top Outlet			Muffler	1	278232
Screw, H.C. 5/16-18 x 1/2	2	X-125-33	Baffle, heat	1	278234
Washer, split lock 5/16	2	#	Gasket, exhaust	2	278306
Screw, H.C. 1/4-20 x 1/2	1	X-465-6	Manifold, exhaust	1	278311
Screw, drill	4	X-794-2	Muffler	1	278402
Clamp, muffler	3	237548	Remote Panel		PA-239482
Muffler	1	278232	Switch Assembly, remote	1	A-239419
Manifold, exhaust	1	278233	Meter, hour	1	238736
Baffle, heat	1	278234	Harness, wiring	1	239418
Muffler Kit (Flanged Exhaust) Curb Side		PA-278316	Switch, rocker	1	269296
Screw, H.C. 5/16-18 x 1-1/4	1	#	Panel, remote	1	269298
Washer, split lock 5/16	1	#	Screw, sheet metal	2	X-798-1
Washer, split lock 3/8	1	#	Harness, wiring	1	239412
Screw, hex flange 5/16-18 x 5/8	2	X-6217-1	Remote Panel		PAA-239419
Screw, H.C. 3/8-16 x 1-1/4	1	X-6238-4	Switch, remote	1	A-239419
Nut, hex 5/16-18	1	#	Screw, sheet metal	2	X-798-1
Nut, hex 3/8-16	1	#	Harness, remote 1 ft. (0.3 m)		PA-239430
Clamp, muffler	1	237548	Harness, remote 15 ft. (4.6 m)		PA-239414
Muffler	1	239724	Harness, remote 30 ft. (9.1 m)		PA-239412
Strap, muffler mounting	1	277725	Harness, remote 40 ft. (12.2 m)		PA-239413
Bracket	1	277791	Harness, remote 1 ft. (0.3 m) (Onan Plug Adapter)		PA-278371
Elbow, exhaust	1	278314	Harness, remote 3 ft. (0.9 m) (Onan Plug Adapter)		PA-278372
Gasket, exhaust	1	278320			

TP-5146 6/93

PRINTED IN U.S.A.

KOHLER® POWER SYSTEMS

KOHLER CO. KOHLER, WISCONSIN 53044
PHONE 414-565-3381, TELEX 26888
FAX 414-459-1646 (North American Sales), 414-459-1614 (International)
FOR SALES & SERVICE IN U.S.A. & CANADA PHONE 1-800-544-2444