

Cummins **Onan**



Parts Manual

Residential Generator Set

GRCA

MODEL IDENTIFICATION

To avoid errors or delay in filling your parts order, always give the MODEL, SPEC NO. and SERIAL NO. from the Onan nameplate.

For handy reference, insert your nameplate information in the spaces below.

MODEL AND SPEC NO.

SERIAL NO.

DIGITAL CONTROL SOFTWARE VERSION
AND DATE (IF APPLICABLE)

SAFETY PRECAUTIONS

The following symbols are used in Cummins/Onan manuals to alert users to the potentially dangerous conditions relating to maintenance of equipment and replacement of parts. Please read and observe.



This symbol warns of immediate hazards which will result in severe personal injury or death.



This symbol refers to a hazard or unsafe practice which can result in severe personal injury or death.



This symbol refers to a hazard or unsafe practice which can result in severe personal injury or product or property damage.

PRODUCT SAFETY PRECAUTIONS



Service and repair of Cummins/Onan equipment must be performed by trained, experienced personnel only. Improper service or repair may result in property damage, severe personal injury or death. Do not use this catalog as a guide to servicing your equipment. Read and follow the IMPORTANT SAFETY INSTRUCTIONS in the Service Manual appropriate for the equipment you are working on.



Contact with USED ENGINE OILS has been identified by a United States federal agency and some USA state agencies as causing CANCER or REPRODUCTIVE TOXICITY. When checking or changing engine oils take all necessary precautions not to ingest, breathe the fumes or contact the used oil.



Contact with ASBESTOS has been identified by a United States federal agency and some USA state agencies as causing CANCER or REPRODUCTIVE TOXICITY. When handling engine gaskets take all necessary precautions not to ingest, breathe or contact the dust from the gaskets! Use adequate ventilation and wear protective gloves, masks and clothing!



Contact with BENZINE and LEAD, found in gasoline, fuel additives and solvents has been identified by a United States federal agency and some USA state agencies as causing CANCER or REPRODUCTIVE TOXICITY. When checking, draining or adding gasoline and fuel additives or using solvents take all necessary precautions not to ingest, breathe the fumes or contact the liquids. Use adequate ventilation and wear protective gloves, masks and protective clothing!

Introduction

Introduction

This parts catalog applies to the standard generator set listed below. Parts are arranged in groups of related items and each illustrated part is defined by a reference number corresponding to the same reference number in the parts list. Parts illustrations are typical. Throughout this catalog right and left sides are determined by facing the engine end (front) of the set.

MODEL 12 GRCA - 4229A

MODEL 12 GRCA- 4229B

or dash (-) in the model and specification number separates generator set characteristics number and letter. The specification number denotes customer requested options or standard model. The specification letter advances (A to B, B to C, etc.) with major manufactur-

WIRING DIAGRAM

184-0120

Following **Transfer Switches** are used with the GRCA Generator Sets:

RST60
RST100
RST200
RSZ100A
RSZ200A



Index

Actuator, Governor, 18

Base, Mounting, 5

Base, Skid, 5

Boot, Battery Cable, 6

Breaker, Circuit, 17

Cable, Battery, 17

Components, Alternator Divider Panel, 11

Components, Engine Divider Panel, 12

Components, Housing Front Panel, 9

Components, Housing Rear Panel, 10

Control, 15

Cover, Alternator Divider Panel, 11

Cover, Control, 15

Charger, Battery, 12

Door, Access, 7

Duct, Alternator Divider Panel Rear Air, 11

Duct, Skid Base Air, 5

Endbell, 14

Engine Parts, 4

Exhaust System, 20

Electronic Governor, 12

Fan, Generator, 14

Filter, Oil

Gasket, Housing Front Door, 9

Gasket, Housing Rear Door, 10

Gasket, Side Door, 8

Generator, 13

Governor, 18

Grommet, Engine Divider, 12

Harness, Control, 17

Harness, Engine, 17

Housing, 7

Insulation, Air Duct, 6

Insulation, Alternator Divider, 11

Insulation, Door, 8

Insulation, Engine Divider, 12

Insulation, Housing Front Access Panel, 9

Insulation, Housing Front Panel, 9

Insulation, Housing Rear Panel, 10

Insulation, Roof, 8

Isolator, Vibration, 6

Kit, Insulation, 8

Labels, 21

Latch, Door, 8

Louver, Housing, 9

Lug, Solderless, 16

Magnetic Pickup, 6

Meter, Hour, 16

Muffler, 20

O'Ring, Endbell, 14

Pallet, Shipping/Installation, 6

Panel, Alternator Divider, 8

Panel, Control, 15

Panel, Engine Divider, 8

Panel, Housing Front, 8

Panel, Housing Front Access, 9

Panel, Housing Rear, 8

Panel, Roof, 8

PCB, Control, 16

Plate, Engine Mounting, 6

Regulator, 19

Rotor, Generator, 14

Screen, Air Intake, 12

Spike, Base, 6

Standoff, Insulator, 16

Stator, Generator, 14

Strap, Battery, 6

Strap, Bond, 6

Strip, Marker, 16

Support, Alternator, 6

Transformer, Voltage, 16

Tray, Battery, 6



Engine Information

Honda Engine Information and specifications should be taken from the Honda Engine Owner's Manual. Additional information is available on the official Honda website WWW.HONDA-ENGINES.COM

Honda Power Equipment Group
4900 Marconi Drive
Alpharetta, GA 30005-8847
Tel: (770 497-6400) Fax: (678) 339-2519

See PAGE 3-A through 3-E for part numbers of components of Honda GX670. (Honda 107644)



GX 670 Parts List (Honda 107644)

ONAN Part No.	Qty	Description	Honda Ref.
0184-0142	1	ELEMENT, AIR CLEANER	17210-2N1-821
0184-0143	1	FILTER (OUTER)	17218-ZJ1-840
0184-0158	4	CLIP, AIR CLEANER	17219-ZJ1-840
	1	HOUSING, AIR CLEANER	17220-ZN1-820
	1	COVER ASSY, AIR CLEANER	17230-ZN1-820
	1	SEAL, AIR CLEANER COVER	
	4	COLLAR A, AIR CLEANER	17238-ZJ4-830
	2	BOLT, SPECIAL (5MM)	90003-ZJ1-840
	1	TUBE, BREATHER	12357-ZJ4-830
	1	CLIP, BREATHER TUBE	15772-551-000
	1	CAP, AIR CLEANER	17223-ZN2-000
	2	BOLT, FLANGE (6MM)	90002-ZJ1-840
95701-06095-00	2	NUT, FLANGE	94050-06000
	2	BOLT, FLANGE (6X95)	95701-06095-00
0184-0154	1	CHAMBER,SET, FLOAT	16015-ZN1-831
	1	SCREW SET, (TH. STOP)	16208-ZN1-801
	1	CARBURETOR ASSY	
	1	GASKET, FLOAT CHAMBER	16163-ZN1-831
0184-0155	1	INSULATOR, CARBURETOR	16211-ZN1-000
	2	GASKET, CARBURETOR	
	1	HOSE, FUEL	16347-ZN1-820
	1	JOINT, FUEL	16920-ZN1-820
	1	GASKET, AIR CLEANER	17228-ZN1-000
	4	COLLAR A, AIR CLEANER	17238-ZJ4-830
	2	CLAMP, WATER HOSE	19506-KA4-000
	2	BOLT, STUD (6X108)	90041-147-000
	4	SCREW, PAN (4X14)	93500-04014-0H
	95701-08020-00	2	BOLT, FLANGE (8X20)
	2	SEAL, VALVE STEM	12209-ZE8-003
	1	CAMSHAFT ASSY	14100-ZJ1-842
	4	ROD, PUSH	14410-ZJ1-840
	4	ARM, VALVE ROCKER	14431-ZE2-010
	4	PIVOT, ROCKER ARM	14451-ZE1-013
	1	SPRING, WEIGHT RETURN	14568-ZJ1-841
	1	PIN, DECOMPRESSION	14576-ZJ1-840
	2	VALVE, IN. (GAS)	14711-ZF6-F00
	2	VALVE, EX. (GAS)	14721-ZF6-F00
	1	LIFTER ASSY, VALVE	14730-ZJ1-841
	4	SPRING, VALVE	14751-ZE2-003
	1	SHAFT, VALVE LIFTER	14760-ZJ1-840
	2	SPRING, VALVE LIFTER	14764-ZJ1-840
	4	RETAINER, VALVE SPRING	14771-ZE2-000
	2	SEAT, VALVE SPRING	14775-ZE2-010

ONAN Part No.	Qty	Description	Honda Ref.
	2	PLATE, PUSH ROD GUIDE	14791-ZE2-010
	1	BOLT, FLANGE (5X16)	90005-896-000
	4	BOLT, PIVOT (8MM)	90012-ZE0-010
	4	NUT, PIVOT ADJ.	90206-ZE1-000
	1	WASHER, THRUST (17.2MM)	90446-357-000
	2	CLIP, GOVERNOR HOLDER	90602-ZE1-000
	1	PIN A, DOWEL (8X12)	94301-08120
	4	WASHER, PLAIN (6MM)	94101-06800
	1	PIN, SPRING (6X28)	94305-60282
	1	BOLT, FLANGE (6X25)	95701-06025-00
CRANKCASE COVER			
	1	COVER ASSY, CRANKCASE	11300-ZJ1-841
	1	GASKET, CASE COVER	11381-ZJ1-840
	1	BOLT, SEALING	12105-ZA0-701
	1	COVER ASSY, OIL PUMP	15120-ZJ1-000
	1	ROTOR, OIL PUMP (OUTER)	15124-ZJ1-003
	1	SPRING, RELIEF VALVE	15232-ZJ1-000
	1	COVER, OIL FILTER	15348-ZJ1-840
0184-0141	1	FILTER, OIL	15400-PLM-A01PE
	1	BASE, OIL FILTER	15411-ZN1-000
	1	SCREEN, OIL FILTER	15427-ZJ1-000
0184-0160	1	DIPSTICK, OIL	
	1	GOVERNOR ASSY	16510-ZJ1-840
	3	WEIGHT, GOVERNOR	16511-ZJ1-840
	1	HOLDER, GOVERNOR WEIGHT	16512-ZJ1-840
	3	PIN, GOVERNOR WEIGHT	16513-ZE2-000
	1	SLIDER, GOVERNOR	16531-Z0A-000
	3	BOLT, FLANGE (6X28)	90015-883-000
	1	HOLDER, OIL FILTER	90018-PN3-000
	1	WASHER (6X16)	90473-147-000
	1	CLIP, GOVERNOR HOLDER	90602-ZE1-000
	1	OIL SEAL (38X58X9)	91202-ZJ1-841
	2	O'RING (11.8X2.4)	91320-MJ6-003
	1	WASHER, PLAIN (6MM)	94101-06800
	2	PIN A, DOWEL (8X14)	94301-08140
	3	BOLT, FLANGE (6X20)	95701-06020-00
	9	BOLT, FLANGE (8X50)	95701-08050-00
	1	BALL, STEEL (#12) (3/8)	96211-12000
	2	BOLT, SOCKET (6X16)	96600-06016-00
CRANKSHAFT			
	1	WASHER, CRANKSHAFT THRUST	90401-ZJ1-000
	1	CRANKSHAFT (V-TYPE)	13310-ZN1-810
CYLINDER BARREL			
	1	CYLINDER ASSY	12000-ZN1-409
	1	COVER, BREATHER	12356-ZJ1-000
	1	GASKET, BREATHER COVER	12358-ZJ1-000
	1	VALVE, BREATHER	12372-ZE2-300
	1	SHAFT, GOVERNOR ARM	16541-ZJ1-840
	2	COLLAR, FILTER SETTING	25523-VD6-010



ONAN Part No.	Qty	Description	Honda Ref.
	1	CLAMP, WIRE	31511-ZJ1-000
	1	SWITCH ASSY, OIL LEVEL	35480-ZJ1-841
	2	BOLT, FLANGE (6X16)	90029-888-000
	2	BOLT, FLANGE (6X32)	90031-ZE1-000
	1	BEARING, NEEDLE (8X12.7X11.1)	91001-ZJ1-841
	1	BEARING, NEEDLE (8X12X10)	91002-ZJ1-841
	1	OIL SEAL (8X14X5)	91201-ZE9-003
	1	OIL SEAL (38X58X9)	91201-ZJ1-841
	1	O-RING (13X3.0)	91302-MB6-830
	1	O-RING (13.5X1.5)	91353-671-003
	2	BOLT, DRAIN PLUG (14MM)	92800-14000
	1	NUT, FLANGE (10MM)	94050-10000
	3	WASHER, PLAIN (8MM)	94102-08800
	2	WASHER, DRAIN PLUG (14MM)	94109-14000
	2	PIN, LOCK (8MM)	94251-08000
	2	BOLT, FLANGE (6X75)	95701-06075-09
	1	BEARING, RADIAL BALL	96140-60030-10
0184-0159	1	SWITCH, OIL PRESSURE	
	1	SCREW, WASHER (4X8)	90002-ZG5-004

CYLINDER HEAD

	2	HANGER, ENGINE	11911-ZJ1-840
	1	CYLINDER HEAD (#1)	12210-ZJ1-407
	4	CLIP, VALVE GUIDE	12216-ZE2-300
	1	CYLINDER HEAD (#2)	12220-ZJ1-930
	2	GASKET, CYLINDER HEAD	12251-ZN1-821
	1	COVER, HEAD	12311-ZJ1-840
	1	COVER, HEAD FILLER	12314-ZJ1-840
	2	GASKET, CYLINDER HEAD COVER	12391-ZE2-020
	1	CAP, OIL FILLER	15611-MB0-000
	1	GASKET, OIL FILLER CAP	15625-ZJ1-840
	1	MANIFOLD, IN.	17101-ZN1-000
	2	GASKET, IN. MANIFOLD	17151-ZJ1-841
	2	GASKET, EX. PIPE	18333-ZE3-800
	2	SHROUD, HEAD	19682-ZJ1-840
	4	BOLT, SOCKET (8X45)	90011-ZJ1-841
	2	BOLT, HEAD COVER	90014-ZE2-000
	4	BOLT, FLANGE (6X14)	90014-952-000
	4	BOLT, STUD (8X22)	90018-ZJ1-840
	2	WASHER, HEAD COVER	90441-ZE2-010
	4	NUT, FLANGE (8MM)	94050-08000
	4	PIN A, DOWEL (12X20)	94301-12200
	2	BOLT, FLANGE (8X20)	95701-08020-00
	8	BOLT, FLANGE (10X81)	90081-KK0-000
0184-0144	2	SPARK PLUG	
	1	BRACKET, R. AIR CLEANER	17213-ZJ4-830
	1	BRACKET, L. AIR CLEANER	17214-ZJ4-830

FAN COVER

	1	COVER, FUEL PUMP	16715-ZJ1-930
	1	COVER, FAN	19611-ZJ1-930
	1	PLATE, R. SIDE	19612-ZJ1-841

ONAN Part No.	Qty	Description	Honda Ref.
	1	PLATE, L. SIDE	19614-ZJ1-841
	1	SHROUD, R.	19631-ZJ1-850
	1	SHROUD, L.	19632-ZN1-010
	6	COLLAR B, TAILLIGHT	33713-GC2-000
	1	ALERT UNIT ASSY, OIL	34150-ZJ1-841
	1	RUBBER, RR. FENDER CUSHION	80101-310-000
	9	BOLT, FLANGE (6X12)	90013-883-000
	2	BOLT, FLANGE (6X23)	90018-ZE1-000
	4	BOLT, STUD (6X71)	90042-ZJ1-840
	2	NUT, SQUARE (5MM)	90313-ZJ1-840
	2	SCREW, TAPPING (5X20)	93913-25580
	2	NUT, FLANGE (5MM)	94050-05000
	4	NUT, FLANGE (6MM)	94050-06000
	2	BOLT, FLANGE (6X8)	95701-06008-00
	1	BRACKET, WIRE HARNESS CLIP	32103-ZG8-000
	1	CLIP, WIRE HARNESS	91558-SD5-003
OIL COOLER			
	2	COLLAR (12MM)	11513-MN5-300
	1	COOLER ASSY, OIL	15605-ZN1-000
	1	COOLER, OIL	15610-ZN1-000
	1	GRILLE, OIL COOLER	15613-ZN1-000
	1	HOSE A, OIL	15614-ZN1-003
	1	HOSE B, OIL	15616-ZN1-003
	1	STAY, OIL COOLER	15676-ZN1-000
	2	RUBBER, RADIATOR MOUNTING	19051-KA3-830
	1	CLAMP, HOSE (D13.5)	19314-PH6-000
	2	O-RING (10X2.6)	91314-ME5-003
	6	BOLT, FLANGE (6X22)	95701-06022-00
	1	BOLT, FLANGE (6X14)	90014-952-000
STARTER MOTOR			
	1	RING, SNAP	30201-PH9-004
	1	COLLAR SET, CLUTCH STOP	30202-PZ1-003
0184-0151	1	MOTOR ASSY, STARTER	
	1	LEVER, PINION DRIVE	31203-PH9-004
0184-0152	1	SWITCH ASSY, Solenoid	
	1	ARMATURE	31206-ZG4-801
0184-0153	1	STARTER (DRIVE).....	
	4	BRUSH	31211-PH9-004
	4	SPRING, BRUSH	31212-PH9-004
	1	COVER	31213-P64-N01
	2	BOLT, THROUGH	31214-PH9-004
	1	YOKE	31216-ZJ1-H01
	1	NUT, HEX (8MM)	31220-PH9-004
	2	NUT, FLANGE (5MM)	31223-PA0-006
	1	HOLDER, BRUSH	31231-PH9-004
	1	INSULATOR, BRUSH HOLDER	31233-PH9-004
	1	COVER, TERMINAL	31234-ZJ1-H01
	2	BEARING A	91002-ZG4-801
	1	NUT, HEX (8MM)	94001-08000-0S
	1	WASHER, SPRING (8MM)	94111-08000

ONAN Part No.	Qty	Description	Honda Ref.
	2	PIN, DOWEL (10X12)	94301-10120
	2	BOLT, FLANGE (8X110)	95701-08110-00

PISTON & CONNECTING ROD

2	RING SET, PISTON (STD)	13010-ZJ1-841
2	RING SET, PISTON (OS 0.25)	13011-ZJ1-841
2	RING SET, PISTON (OS 0.50)	13012-ZJ1-841
2	RING SET, PISTON (OS 0.75)	13013-ZJ1-841
2	PISTON (STD)	13101-ZN1-000
2	PISTON (OS 0.25)	13102-ZN1-000
2	PISTON (OS 0.50)	13103-ZN1-000
2	PISTON (OS 0.75)	13104-ZN1-000
2	PIN, PISTON	13111-ZJ1-840
2	ROD ASSY, CONNECTING	13200-ZN1-003
4	BOLT, CONNECTING ROD (6X37)	90001-ZN1-000
4	CLIP, PISTON PIN (18MM)	94601-18000

FLYWHEEL

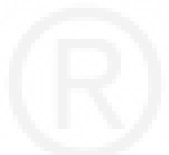
1	FAN, COOLING	19511-ZJ1-000
1	PLATE, COOLING FAN SETTING	19513-ZJ1-000
1	FLYWHEEL	31110-ZJ1-850
1	NUT, FLANGE (20MM)	90201-ZG3-000
1	WASHER (20MM)	90401-ZG3-000
1	KEY, SPECIAL WOODRUFF (25X18)	90741-ZE2-000
3	BOLT, FLANGE (8X16)	95701-08016-00

IGNITION COIL

0184-0146	1	COIL ASSY, R. IGNITION	
	2	GROMMET, IGNITION WIRE	30518-ZJ1-000
0184-0147	1	COIL ASSY, L. IGNITION	
0184-0145	2	CAP ASSY, NOISE SUPPRESSOR	
0184-0149	1	COIL ASSY, CHARGE (12V/3A)	
0184-0148	1	DIODE ASSY, ENGINE STOP	
	1	GROMMET TOOL	63312-ZA7-000
	2	BOLT, FLANGE (6X35)	90014-ZE6-000
	2	BOLT, FLANGE (6X32)	90031-ZE1-000
	1	BOLT, FLANGE (6X8)	95701-06008-00

MISCELLANEOUS

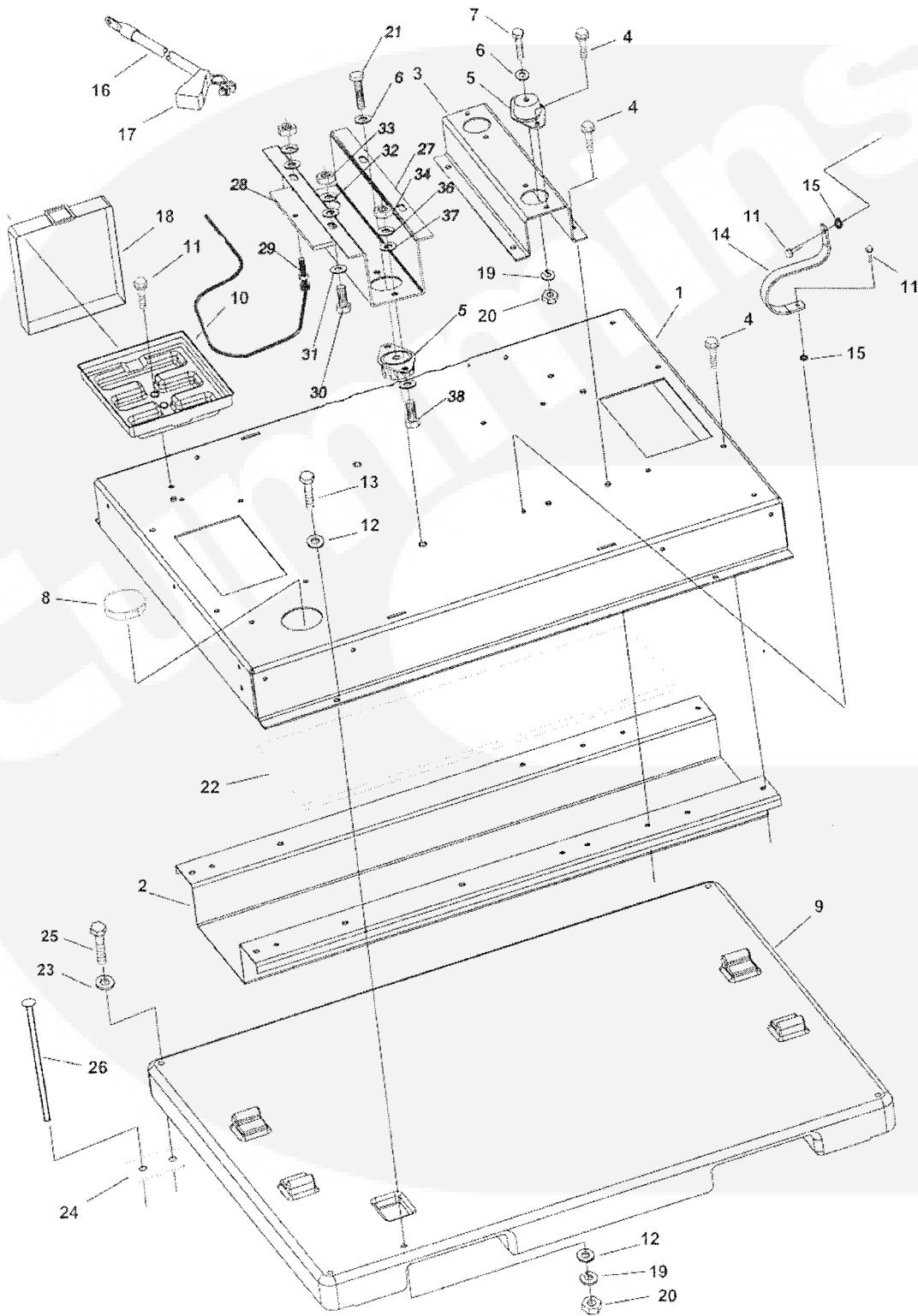
0184-0150	1	RECTIFIER ASSY	
0184-0157	1	CONTROL UNIT, VALVE	
	1	CUSHION, VALVE CONTROL UNIT	34343-ZAA-K61
	1	MARK, OIL ALERT (E)	87532-ZH8-810
0184-0137	1	REGULATOR KIT	
0184-0139	1	BASE ENGINE	



THIS PAGE LEFT INTENTIONALLY BLANK



Mounting Base

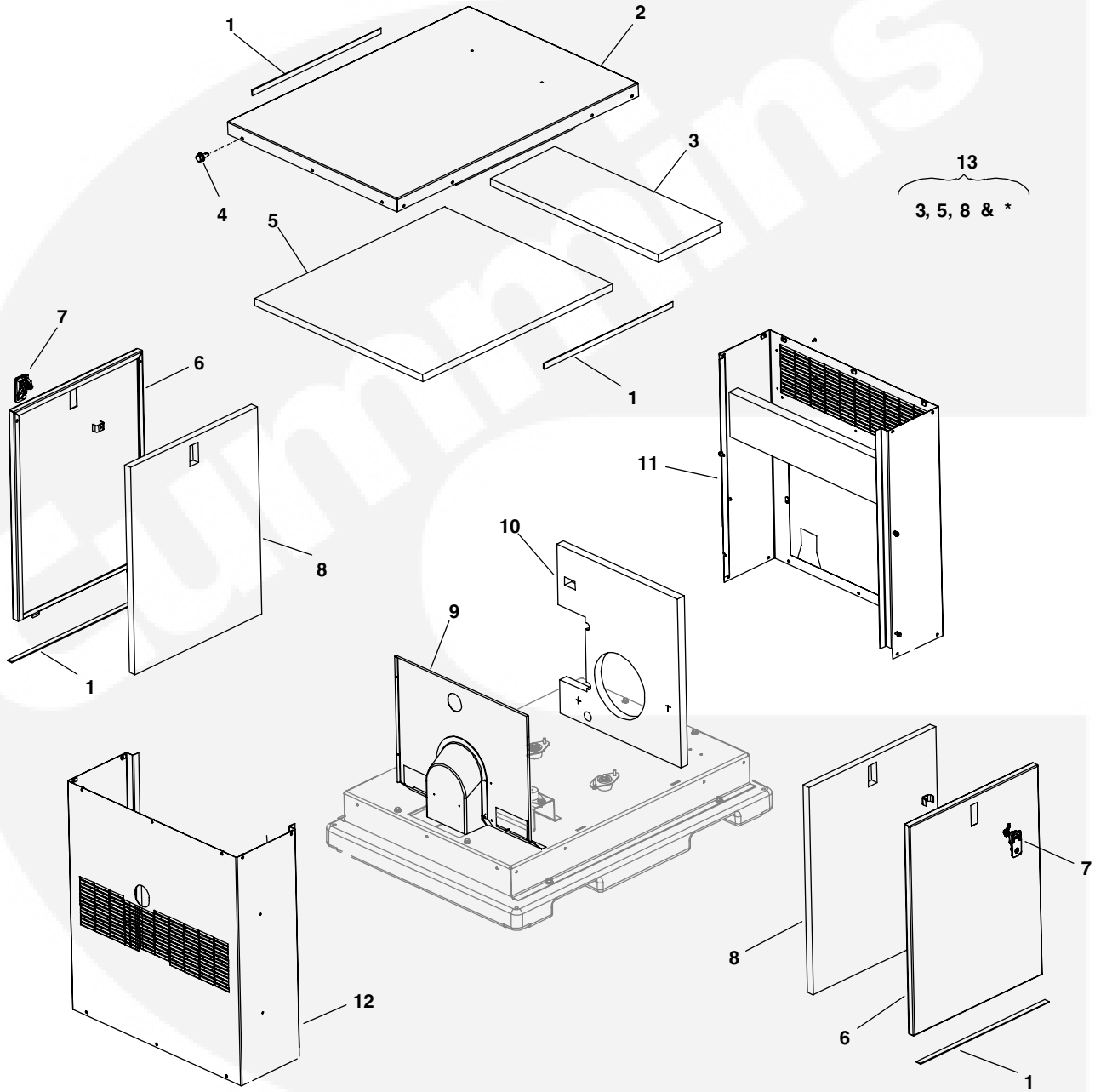


Base, Mounting

REF NO.	PART NO.	QTY USED	PART DESCRIPTION	REF NO.	PART NO.	QTY USED	PART DESCRIPTION
1	0403-4354-02	1	Base, Skid	18	0416-1052	1	Strap, Battery
2	0134-5234-02	1	Duct, Skid Base Airr	19		6	Washer, Spring Lock (M10)
3	0403-4352-02	1	Support, Alternator	20		6	Nut, Hex (M10 x 1.5)
4	0821-6003-02	12	Screw, Hex Head Sems (M8 x 1.25 x 20mm)	21		2	Screw, Hex Head Cap (M10 x 1.5 x 50mm)
5	0184-0128	4	Isolator, Vibration	22	0405-6459	1	Insulation, Air Duct
6	0526-0030	4	Washer, Flat (3/8")	23		4	Washer, Flat (3/8")
7		2	Screw, Hex Head Cap (M10 x 1.5 x 60mm)	24	0403-4361-02	4	Base, Mounting
8	0517-0322	1	Plug, Mounting Base Hole	25		4	Screw, Hex Head Cap (3/8-16 x 3.25")
9	0414-1866	1	Pallet, Shipping/Installation	26	0403-4365	4	Spike, Base
10	0416-1050	1	Tray, Battery	27	0184-0108	1	Plate, Engine Mounting
11	0815-0829-04	4	Screw, Hex Head Flange Thread Forming (M8 x 1.25 x 16mm)	28	0184-0164	1	Bracket, Mag Pickup
12	0526-2132	8	Washer, Flat (M10)	29	0184-0181	1	Magnetic Pickup
13		4	Screw, Hex Head Cap (M10 x 1.5 x 35mm))	30		4	7/16-14 x 2 1/4 HHCS 5 P
14	0337-0081	1	Strap, Bond	31		8	7/16 Plain Washer
15		2	Washer, EIT (M8)	32		4	7/16 Spring Washer
16	0186-7171	1	Cable, Battery (Pos)	33		4	7/16-14 Hexnut 5 P
17	0416-1019	1	Boot, Battery Cable	34		4	M8 x 1.25 x 25 HHCS 5 P
				35		1	M8 Lock Washer
				36		8	M8 Flat Washer



Housing



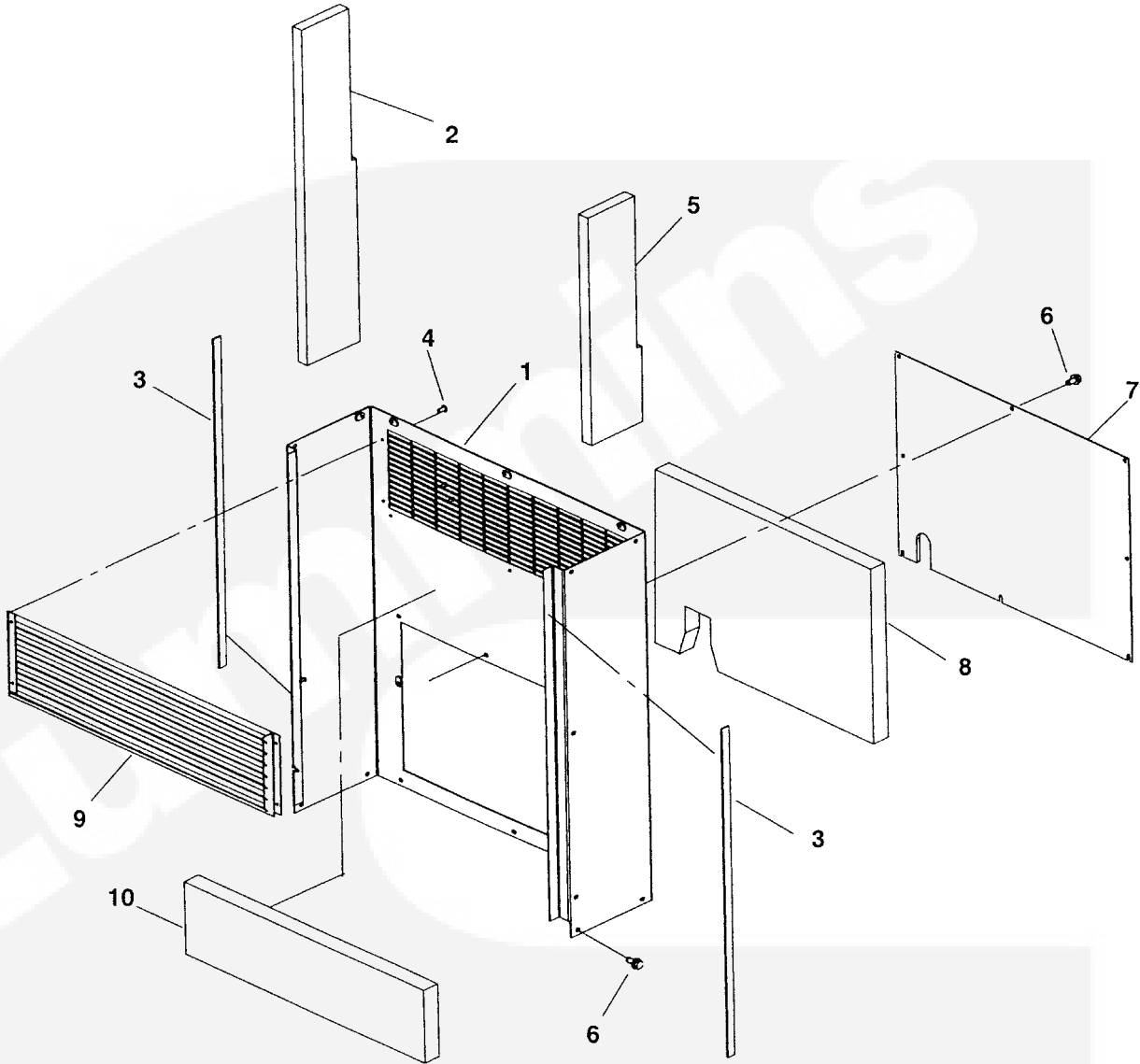
Housing

REF NO.	PART NO.	QTY USED	PART DESCRIPTION	REF NO.	PART NO.	QTY USED	PART DESCRIPTION
1			Gasket, Side Door	10	-	1	Panel, Engine Divider (See Separate Page for Components)
	0405-6460-01	2	568.5mm				
	0405-6460-03	2	525mm				
2	0405-6478	1	Panel, Roof	11	-	1	Panel, Housing Front (See Separate Page for Components)
3	0405-6474	1	* Insulation, Roof Front				
4	0821-6006-01	16	Screw, Hex Head Sems (M6 x 1 x 16mm)	12	-	1	Panel, Housing Rear (See Separate Page for Components)
5	0405-6464	1	* Insulation, Roof				
6	0405-6475	2	Door, Access	13	0403-4368	1	Kit, Insulation (Includes Parts Marked *)
7	0406-0927	2	Latch, Door				
8	0405-6463	2	* Insulation, Door				
9	-	1	Panel, Alternator Divider (See Separate Page for Components)				

* - Parts Included in Insulation Kit (Parts Listed on this Page and on the Following Housing Pages.)



Components, Housing Front Panel

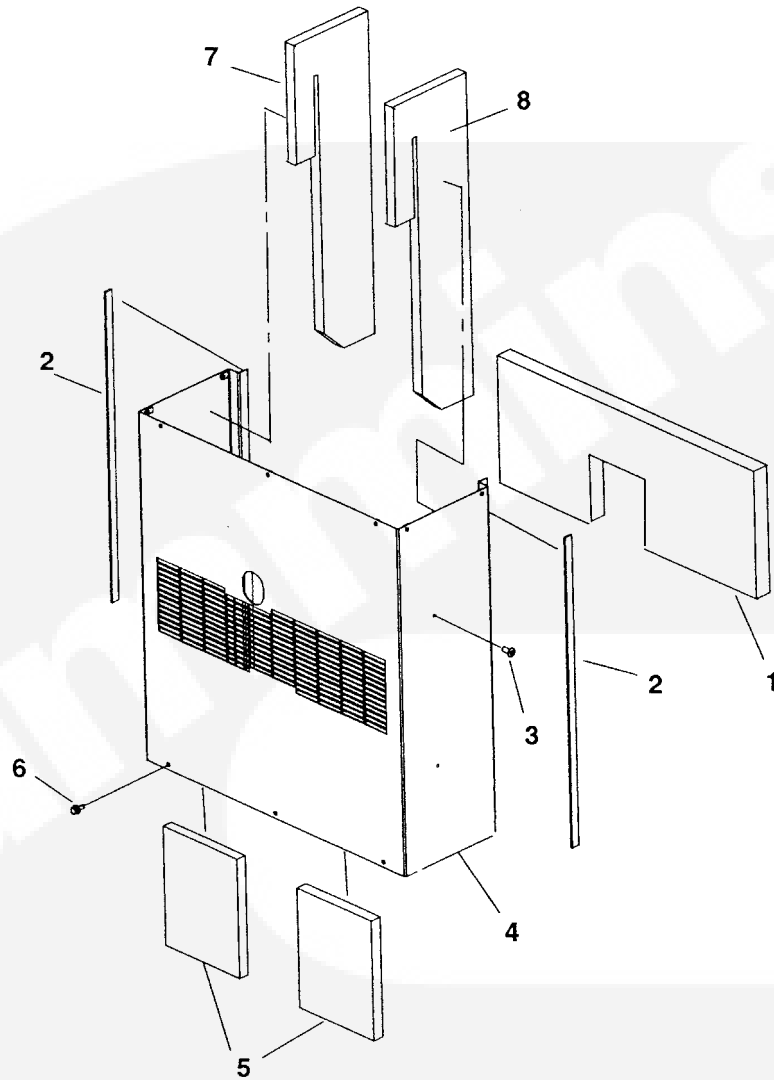


Components, Housing Front Panel

REF NO.	PART NO.	QTY USED	PART DESCRIPTION	REF NO.	PART NO.	QTY USED	PART DESCRIPTION
	0405-6547	1	Kit, Front Panel				
1	0405-6476	1	Panel, Housing Front	6	0821-6006-01	16	Screw, Hex Head Sems (M6 x 1 x 16mm)
2	0405-6467	1	* Insulation, Housing Front Panel Right (737.5 x 140mm)	7	0405-6479	1	Panel, Housing Front Access
3	0405-6460-02	2	Gasket, Housing Front Door (750mm)	8	0405-6465	1	* Insulation, Housing Front Access Panel
4	0818-0231-01	8	Rivet, Pop	9	0134-5233-06	1	Louver, Housing
5	0405-6466	1	* Insulation, Housing Front Panel Left (500 x 140mm)	10	0405-6472	1	* Insulation, Housing Front Panel

* - Parts Included in Insulation Kit Listed on Housing Page.

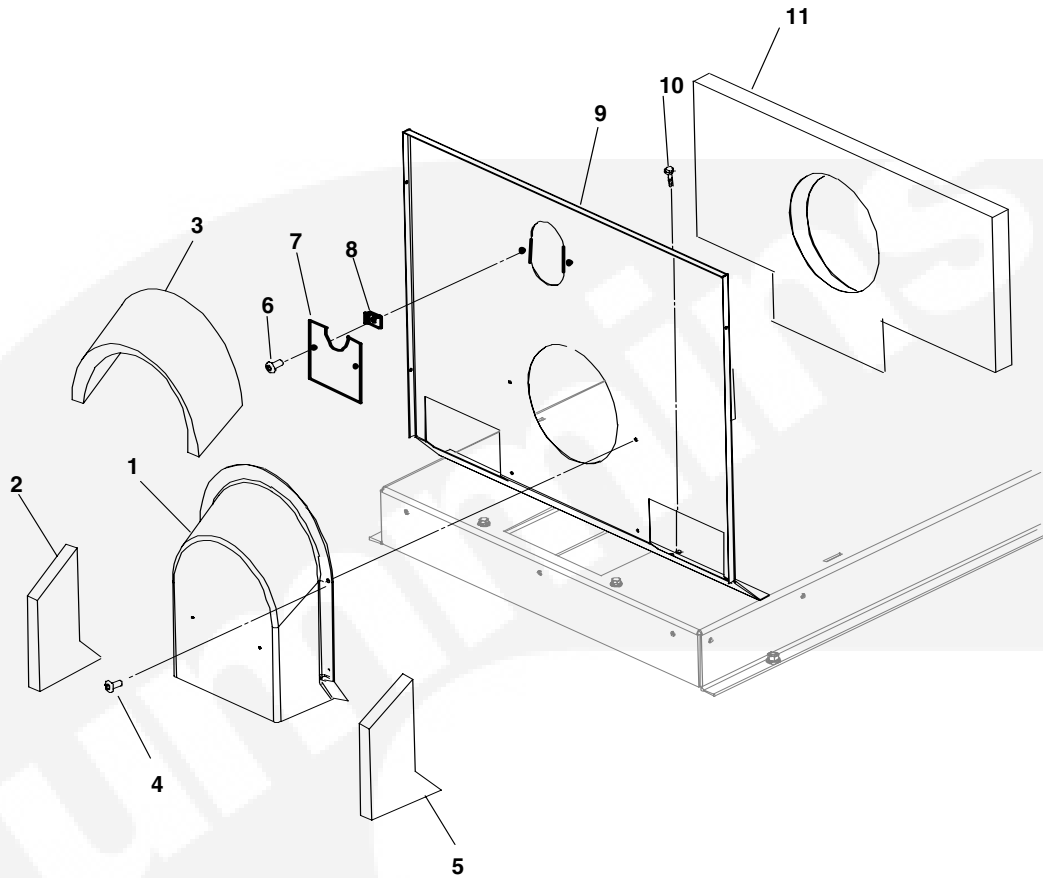
Components, Housing Rear Panel



Components, Housing Rear Panel

REF NO.	PART NO.	QTY USED	PART DESCRIPTION	REF NO.	PART NO.	QTY USED	PART DESCRIPTION
1	0405-6473	1	* Insulation, Housing Rear Panel Upper	6	0821-6006-01	7	Screw, Hex Head Sems (M6 x 1 x 16)
2	0405-6460-02	2	Gasket, Housing Rear Door (750mm)	7	0405-6469	1	* Insulation, Housing Rear Panel Right
3	0818-0231-01	4	Rivet, Pop	8	0405-6471	1	* Insulation, Housing Rear Left
4	0405-6477	1	Panel, Housing Rear	* - Parts Included in Insulation Kit Listed on Housing Page.			
5	0405-6468	2	* Insulation, Housing Rear Panel				

Components, Alternator Divider Panel

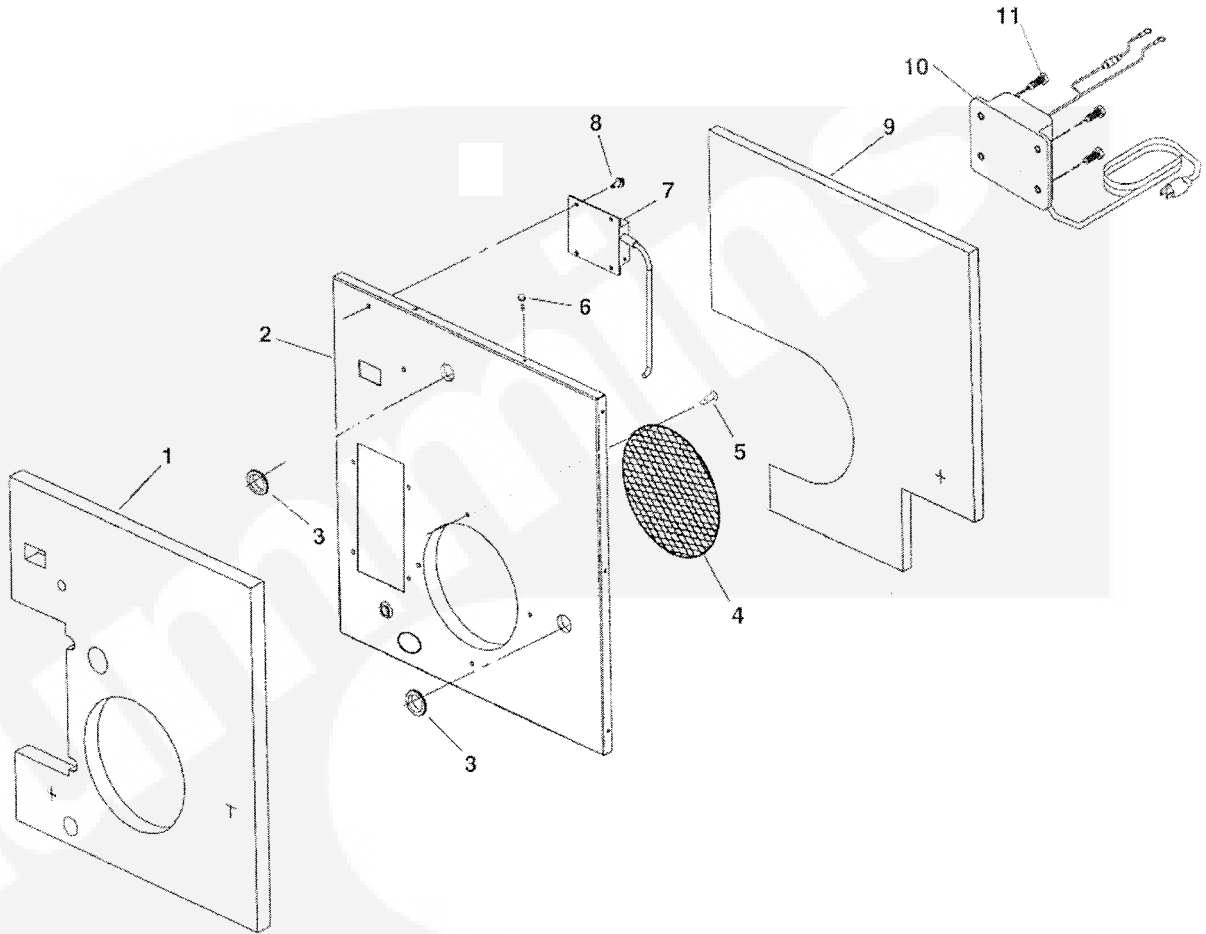


Components, Alternator Divider Panel

REF NO.	PART NO.	QTY USED	PART DESCRIPTION	REF NO.	PART NO.	QTY USED	PART DESCRIPTION
1	0134-5247	1	Duct, Alternator Divider Panel Rear Air	7	0134-5251-02	1	Cover, Alternator Divider Panel
2	0405-6435	1	* Insulation, Air Duct Right	8	0870-0178	2	Nut, Speed (1/4-20)
3	0405-6436	1	* Insulation, Air Duct Upper	9	0134-5237-02	1	Panel, Alternator Divider
4	0818-0231-02	4	Rivet, Pop	10	0821-6003-02	2	Screw, Hex Head Sems (M8 x 1.25 x 20)
5	0405-6438	1	* Insulation, Air Duct Left	11	0405-6433	1	* Insulation, Alternator Divider Lower
6	0821-6002-03	2	Screw, Hex Head Sems (M6 x 1 x 16mm)				

* - Parts Included in Insulation Kit Listed on Housing Page.

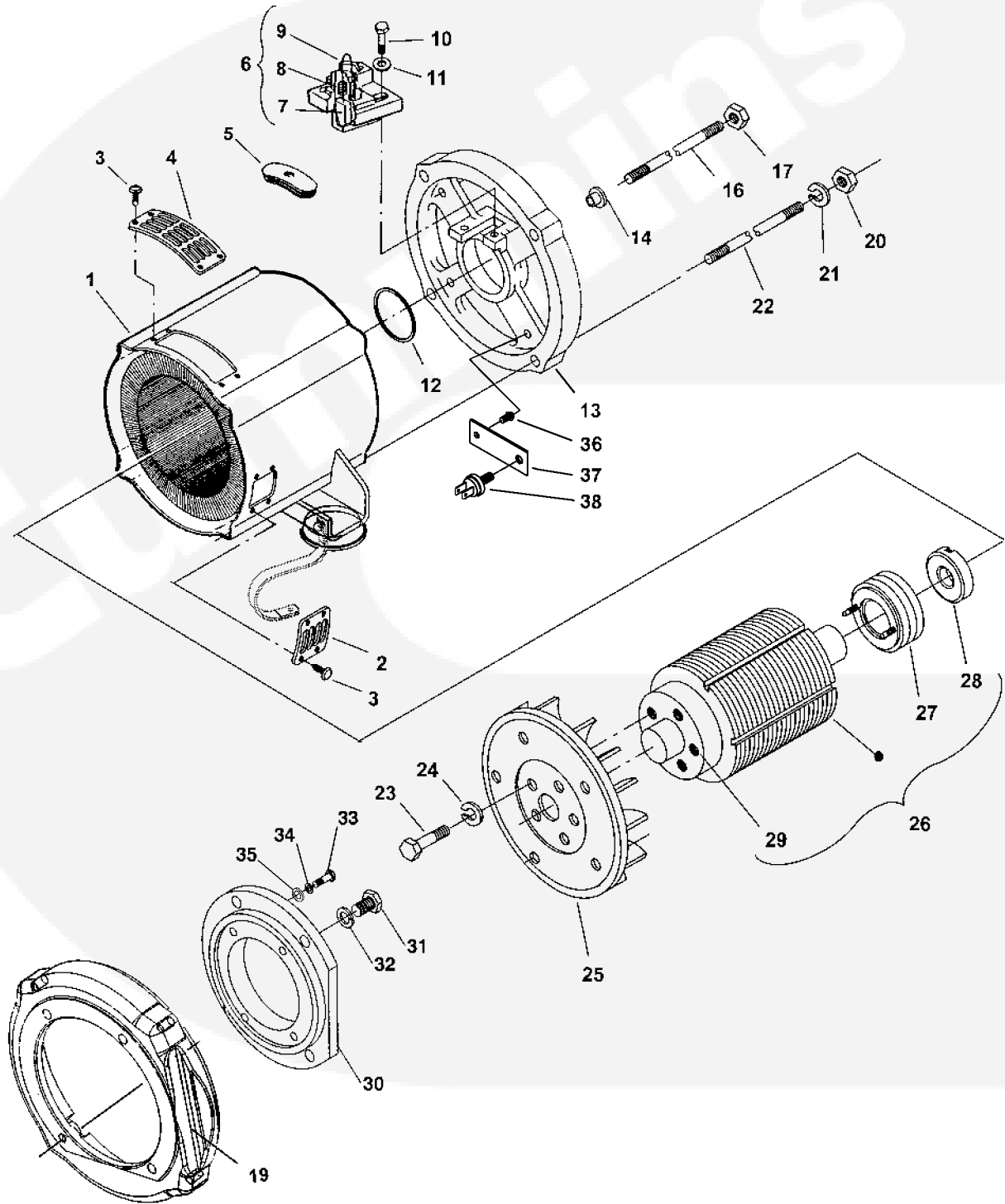
Components, Engine Divider Panel



Components, Engine Divider Panel

REF NO.	PART NO.	QTY USED	PART DESCRIPTION	REF NO.	PART NO.	QTY USED	PART DESCRIPTION
1	0184-0127	1	* Insulation	7	0184-0107	1	Control, Governor
2	0184-0110	1	Panel, Engine Divider	8	0821-6002-03	2	Screw, Hex Head Sems (M6 x 1 x 16mm)
3	0508-0115	1	Grommet, Engine Divider (2-1/8")	9	0184-0112	1	* Insulation
4	0184-0109	1	Screen, Air Intake	10	0184-0180	1	6A-P 12V Battery Charger
5	0406-0929	4	Clip, Air Intake Screen Panel	11	0184-0162	4	10-24 x 3/4 SDST
6	0821-6003-02	2	Screw, Hex Head Sems (M8 x 1.25 x 20mm)	* - Parts Included in Insulation Kit Listed on Housing Page.			

Generator

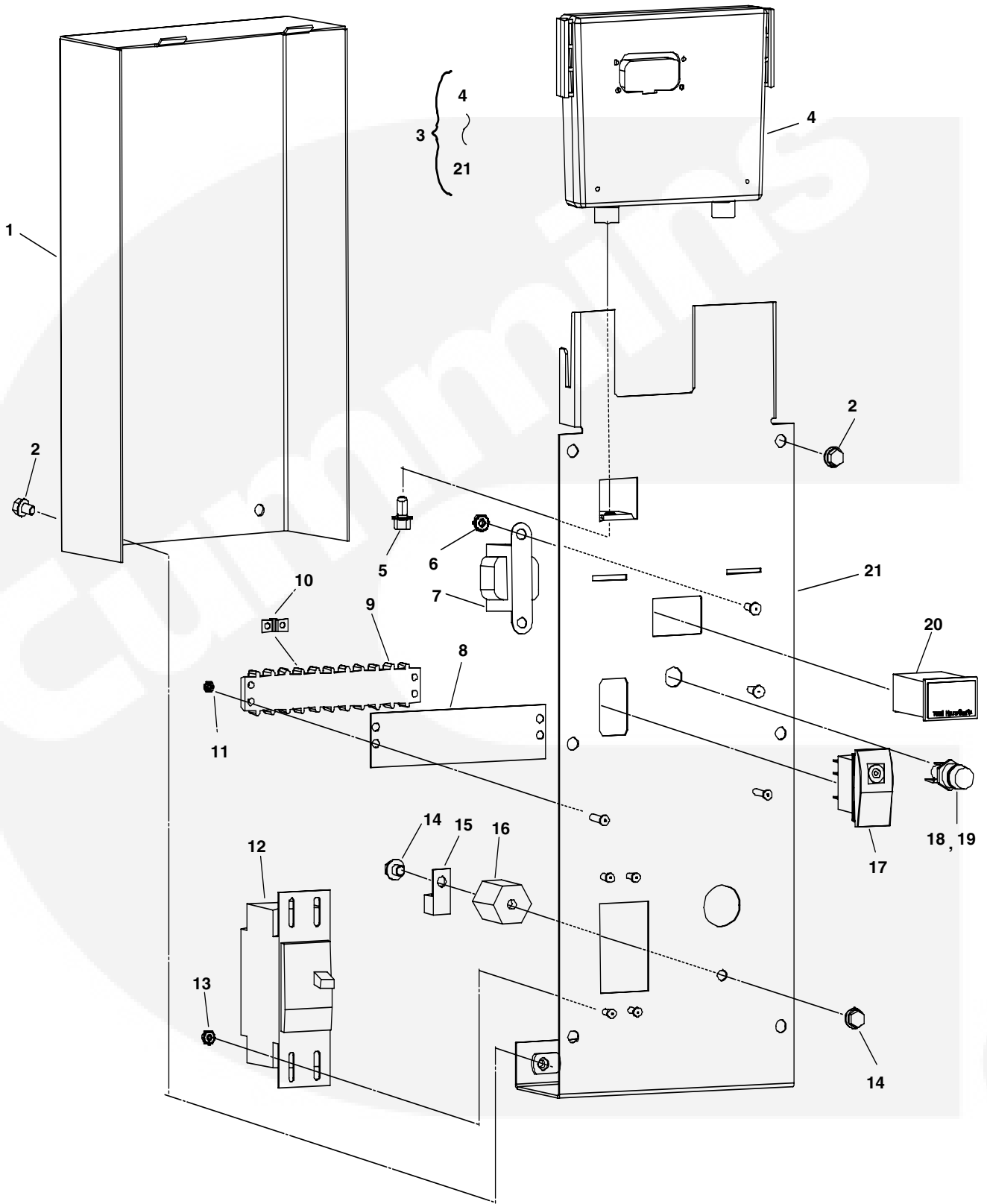


Generator

REF NO.	PART NO.	QTY USED	PART DESCRIPTION	REF NO.	PART NO.	QTY USED	PART DESCRIPTION
1	0220-4585-02	1	Stator, Generator	20	0862-0003	4	Nut, Hex (3/8-16)
2	0232-3651-01	1	Guard, Generator Fan (Small)	21	0850-0114-07	4	Washer, Lock (3/8)
3	0518-0649	16	Clip, Fan Guard Push-On	22	0520-0998-03	4	Stud (3/8-16 x 352mm)
4	0232-3632-01	3	Guard, Generator Fan (Large)	23	0800-2058	5	Screw (M8 x 1.25 x 25mm)
5	0508-1085	1	Grommet, Generator Stator Lead Out	24	0850-2008	5	Washer, Lock (M8)
6	0212-1285	1	Block, Brush Assy (Includes Brushes & Springs)	25	0205-0269	1	Fan, Generator (Includes Disc)
7	0214-0103	2	Brush, Generator	26	0201-3627-02	1	Rotor, Generator (Includes Collector Ring, Ball Bearing and Hub)
8	0212-1276-03	2	Spring, Generator Brush	27	0204-0141	1	Ring, Collector
9	0212-1286	1	Block, Brush (with Terminal)	28	0510-0099	1	Bearing, Generator Rotor Ball
10	0800-0309-89	2	Screw, Hex Head Machine (M5 x 0.8 x 16mm)	29	0232-3649	1	Hub, Rotor
11	0526-0399-56	2	Washer, Flat (M5)	30	0184-0113	1	Adapter
12	0509-0196	1	O'Ring, Endbell	31		4	Screw, Hex Head (M12 x 1.75 x 25mm)
13	0211-0447	1	Endbell	32		4	Washer, Lock (M12)
14	0526-0399-22	1	Washer, Flat (7/16")	33		4	Screw, Hex Head (5/16-24 x 1 1/2")
16	0520-1019-02	1	Stud, Rotor Thru (365mm)	34		4	Washer, Lock (5/16")
17	0862-0004	1	Nut, Hex (7/16-14)	35		4	Washer, Flat (5/16")
18	0800-0575-01	4	Screw, Flange Head (3/8-16 x 1")	36		1	Screw (M4 x 0.7 x 8mm)
19	0231-0392-02	1	Adapter, Generator	37	0193-0541-02	1	Sensor Bracket
				38	0309-0597-01	1	Temperature Sensor



Control

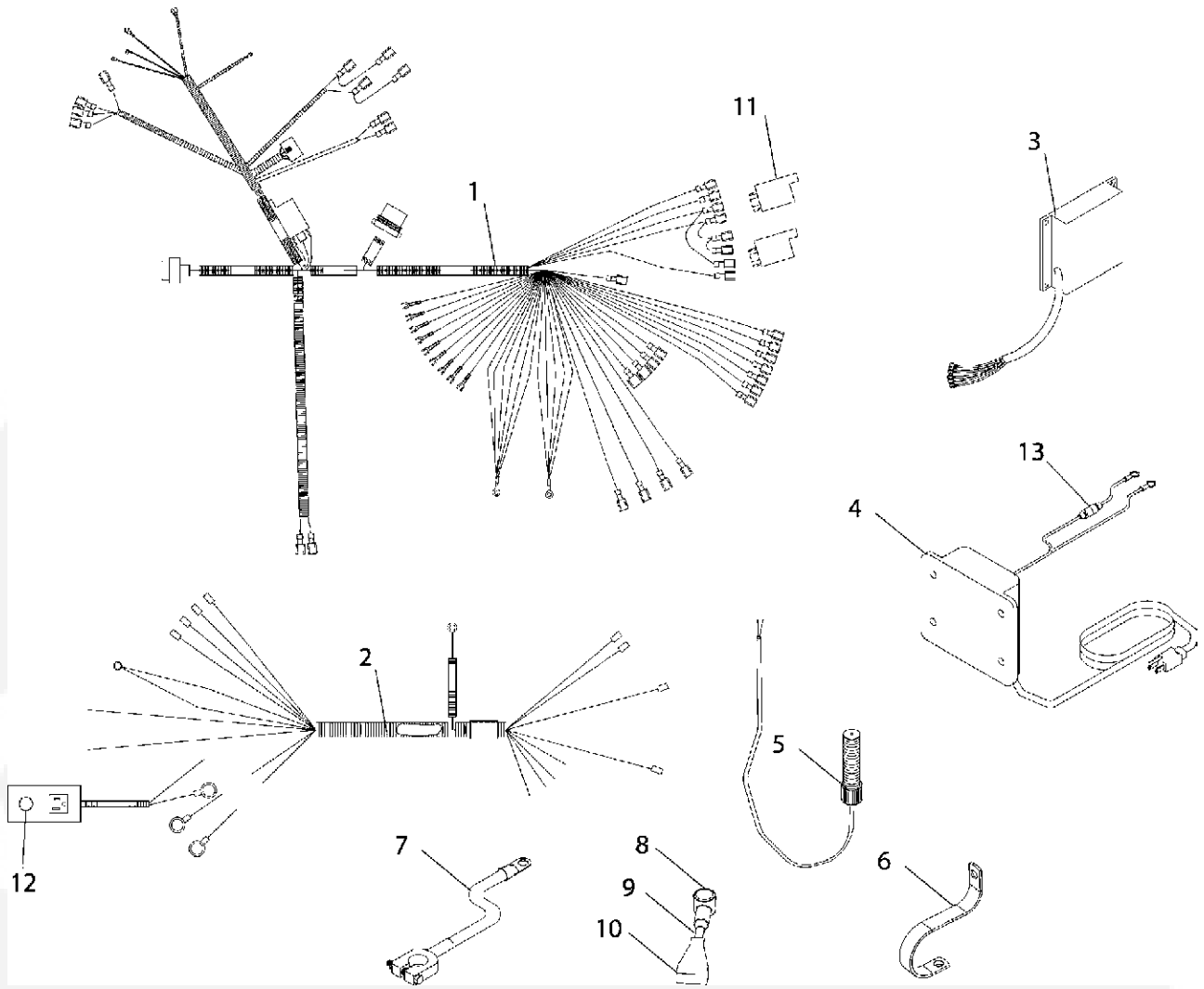


Control

REF NO.	PART NO.	QTY USED	PART DESCRIPTION	REF NO.	PART NO.	QTY USED	PART DESCRIPTION
1	0319-3929-02	1	Cover, Control	12	0320-2005-03	1	* Breaker, Circuit (50A)
2	0821-6002-03	8	Screw, Hex Head Sems (M6 x 1 x 16mm)	13		4	* Nut, Sems ET (#6-32)
3	0300-5315	1	Control Assy (Includes Parts Marked *)	14		2	* Screw, Hex Washer Head Cap (1/4-20 x 5/16")
4	0300-5046-01	1	* PCB, Control	15	0332-1572	1	* Lug, Solderless
5	0815-0943-02	1	* Screw, Hex Washer Head Thread Form (1/4-10 x 1/2")	16	0332-2370	1	* Standoff, Insulator
6	0870-0131	2	* Nut, ET Hex (#10-32)	17	0308-1092	1	* Switch, Rocker
7	0315-0822	1	* Transformer, Voltage	18	0321-0175	1	* Holder, Fuse
8	0332-3648	1	* Strip, Marker	19	0321-0353	1	* Fuse
9	0332-0751	1	* Block, Terminal (10 Place)	20	0302-2002	1	* Meter, Hour
10	0332-1043	1	* Jumper, Terminal Board	21	0319-3922-02	1	* Panel, Control
11		2	* Nut, Hex (#6-32)	* - Parts Included in Control Assy.			



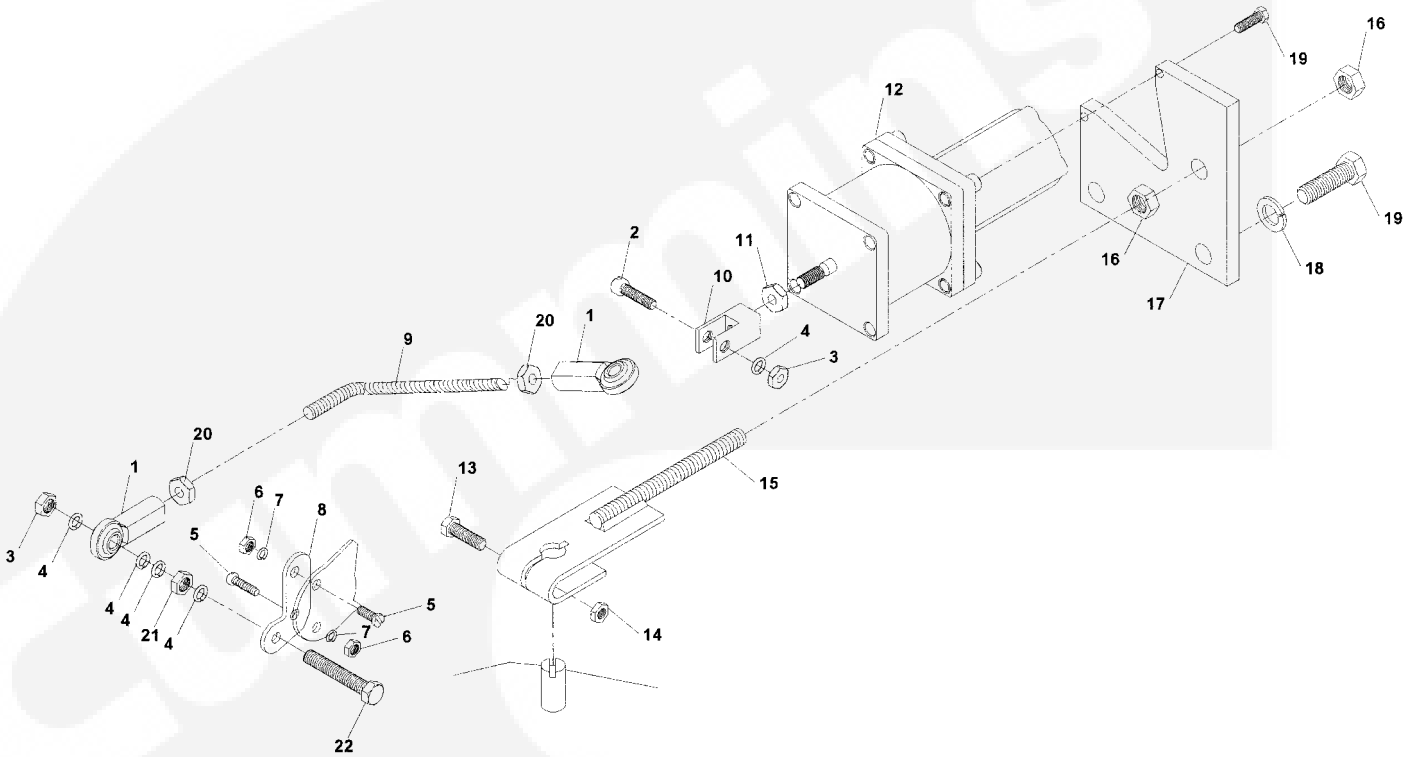
Harnesses and Electrical Components



Harnesses and Electrical Components

REF NO.	PART NO.	QTY USED	PART DESCRIPTION	
1	0184-0121	1	Harness, Control	
2	0184-0125	1	Harness, Genset	
3	0184-0107	1	Control, Governor	Page 12, Item 7
4	0184-0180	1	Battery Charger	Page 12, Item 10
5	0184-0181	1	Magnetic Pick up	Page 5, Item 29
6	0337-0081	1	Strap, Bond	Page 5, Item 14
7	0416-0549	1	Battery Cable (Neg)	
8	0416-1084	1	Boot, Battery Cable	
9	0186-7171	1	Battery Cable (Pos)	Page 5, Item 16
10	0416-1019	1	Boot, Battery Cable	Page 5, Item 17
11	0307-2817-01	3	Relay, 12v	
12		1	Fuse, Battery Charger Supply (10Amp current limiting ATMR10 or equivalent)	
13		1	Fuse, Battery Charger Output (9Amp – SFE9 or equivalent)	

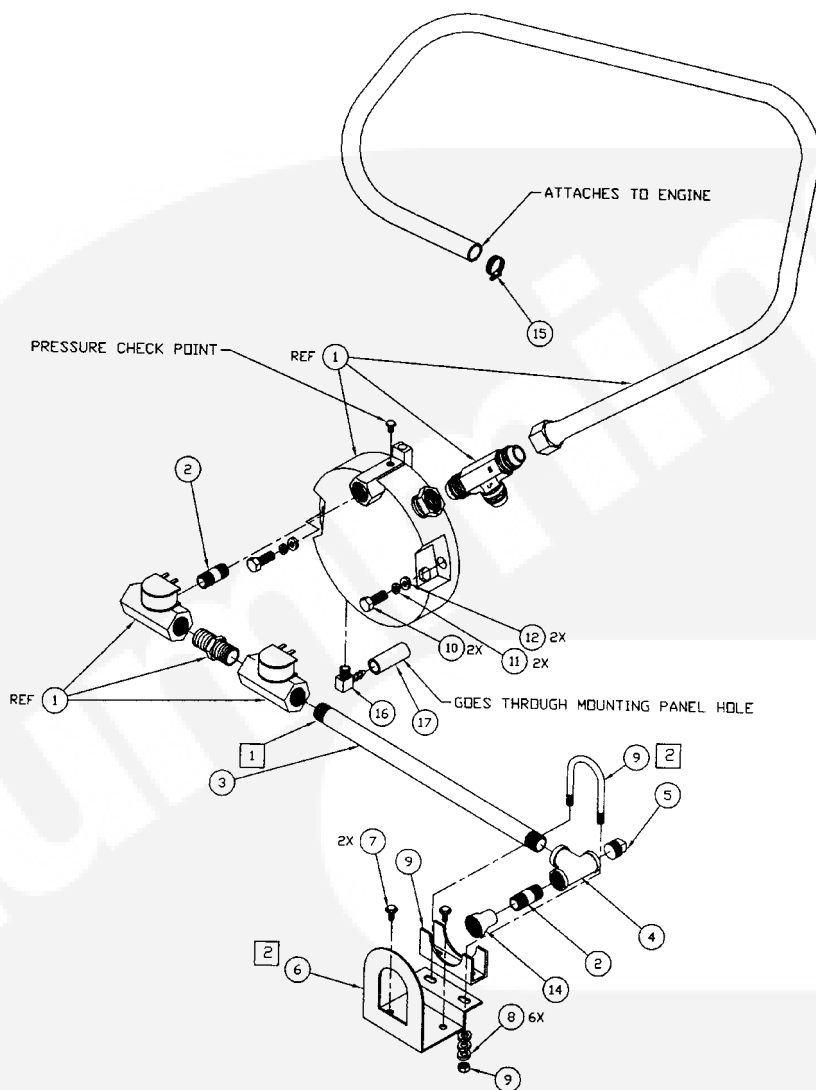
Governor - Actuator and Linkage



Governor - Actuator and Linkage

REF NO.	PART NO.	QTY USED	PART DESCRIPTION	REF NO.	PART NO.	QTY USED	PART DESCRIPTION
1	0184-0103	2	Bearing, Balll	12	0150-2331A	1	Actuator
2		2	10-32 x 3/4 Filhms	13		3	M5 x 0.8 x 30 HHCS
3		2	10-32 Hexnut	14		1	M5 x 0.8 Hexnut
4		4	#10 Lock Washer	15	0184-0102	1	Clamp, Governor
5		2	8-32 x 5/16 PHMS	16		2	M6 x 1.0 Hexnut
6		2	8-32 Hexnut	17	0184-0101	1	Bracket, Throttle
7		2	#8 Lock Washer	18		2	M8 Lock Washer
8	0184-0116	1	Lever, Throttle	19		2	M8 x 1.25 x 20 HHCS
9	0184-0100	1	Rod, Actuator	20		2	#10-32 Nut with Washer
10	0184-0182	1	Clevis	21		1	M5 x 0.8 Hexnut
11	Ref	1	Jam Nut (Supplied with Actuator)	22		1	#10-32 x 1 HHCS 5 P

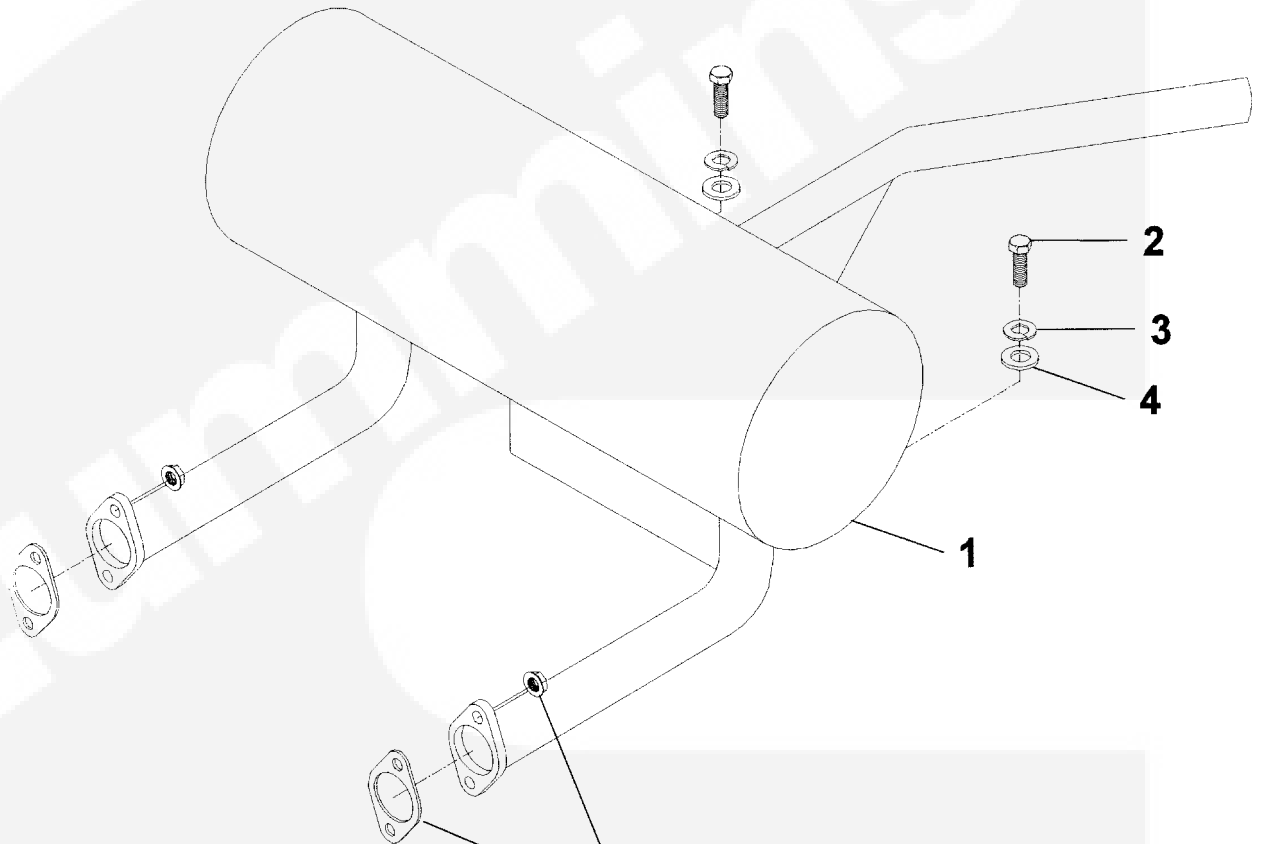
Regulator and Fuel Supply



Regulator and Fuel Supply

REF NO.	PART NO.	QTY USED	PART DESCRIPTION	REF NO.	PART NO.	QTY USED	PART DESCRIPTION
1	0184-0137	1	Regulator Kit	10		2	M6 x 1.0 x 50 HHCS 8.8
2	0184-0136	1	Nipple Pipe (1/2 NPT x 1 1/2)	11		2	M6 Lock Washer
3	0184-0134	1	Pipe (1/2 NPT x 24)	12		2	M6 Flat Washer
4		1	1/2 NPT Tee, Black Steel	13	0184-0135	1	Nipple Pipe (1/2 NPT x 2)
5		1	Pipe Plug 1/2 NPT	14	0184-0133	1	Bushing Reducer (1/2 to 3/4 Female)
6	0179-0836	1	Bracket	15		1	Hose Clamp 7/16 to 1" Hose
7	0821-6003-02	2	Screw HH_SEMS (M8x1.25x20)	16		1	1/8 NPT to 1/4 Hose EL-90 Deg
8		6	M8 F Washer	17	0184-0174	1	1/4" Fuel Hose
9	0155-1256	1	Clamp				

Exhaust System



REF HONDA ENGINE
PARTS MANUAL

Exhaust System

REF NO.	PART NO.	QTY USED	PART DESCRIPTION
1	0184-0122	1	Muffler
2		2	M6 x 1.0 x 20 HHCS 8.8
3		2	M6 Lock Washer
4		2	3/16 Flat Washer

Labels/ Maintenance

0098-7614	1	Label Pkg (Includes Parts Marked #)	0098-7598	1	Label, Control (Danger Hazardous Voltage)
0098-6387	1	# Label, Caution (Hot Surfaces)	0098-5387	1	Label, Danger (Hazardous Voltage) (2 x 3.32")
0098-2235-01	1	# Label, Ground	0098-7642	2	Label, Model Identification (Cummins Onan RS12000 GenSet)
0098-7615	2	# Label, Warning (Hazardous Voltage/Rotating Parts)	0098-7268	1	Label, Neutral
0098-6074-01	1	# Label, Warning (Damage Risks)	0098-5969-04	1	Label, Periodic Maintenance
0098-6837	1	# Label, Warning (Exhaust Gas)	0098-5759	1	Label, Warning (Hazardous Voltage)
0098-5822	4	# Label, Warning (Lifting Points)			
0098-6586-02	1	Label, Battery Negative			
0184-0141	1	Filter, Oil			
0541-1312	1	Kit, Carb, Heater			



Cummins **Onan**

Cummins Power Generation

1400 73rd Ave. NE
Minneapolis, MN 55432 USA

Phone 1 763 574 5000

Toll-free 1 800 888 6626

Fax 1 763 574 5298

Email www.cumminsonan.com/contact

www.cumminsonan.com

Cummins®, Onan®, the "C" logo, and "Performance you rely on." are trademarks of Cummins Inc.

©2013 Cummins Power Generation, Inc. All rights reserved.

