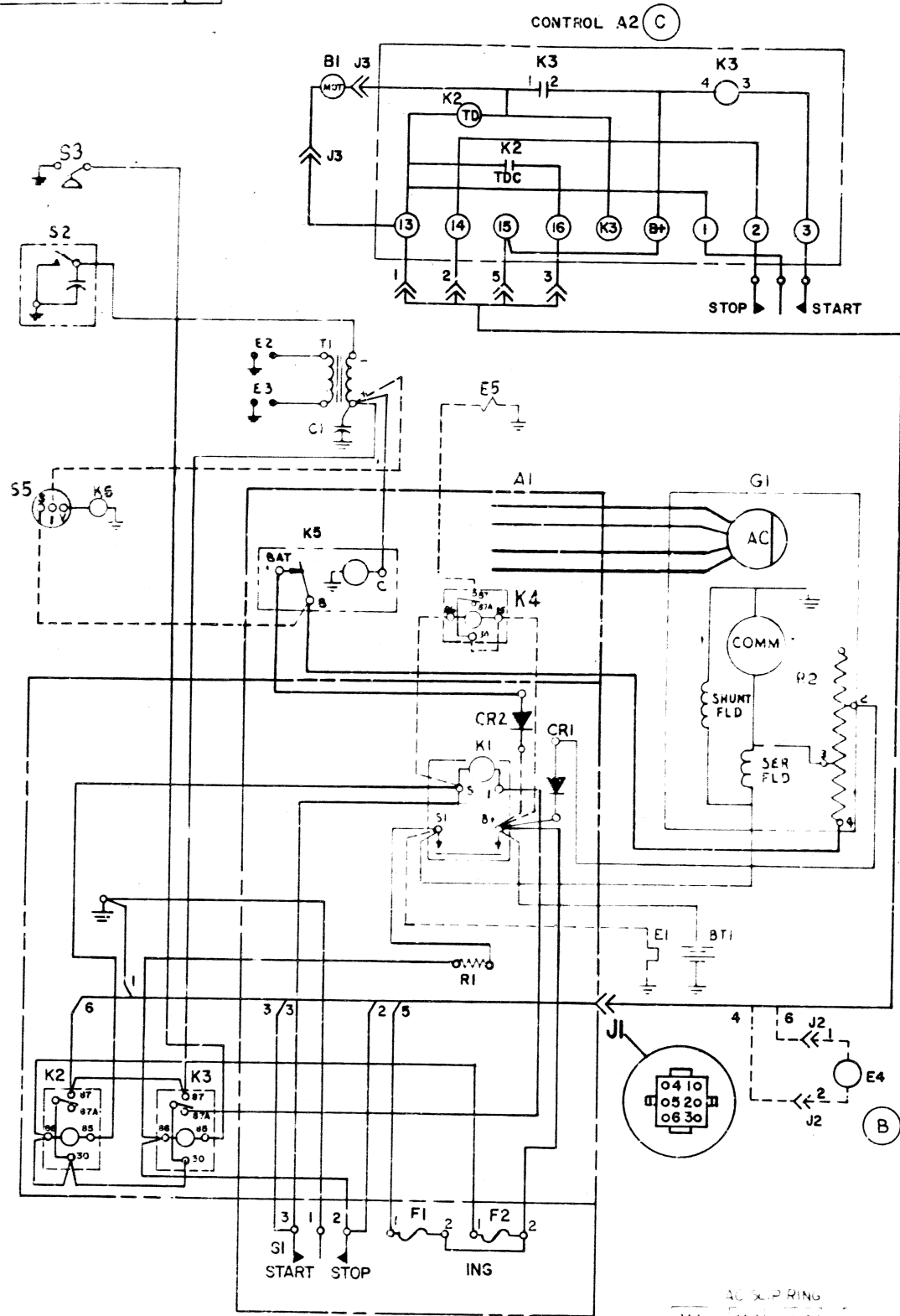
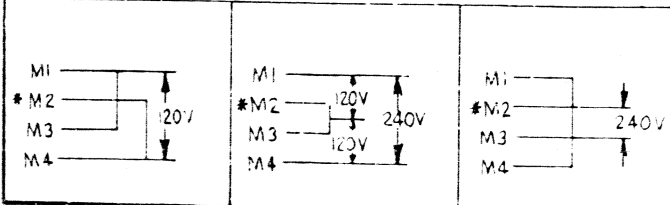


611-1150

C



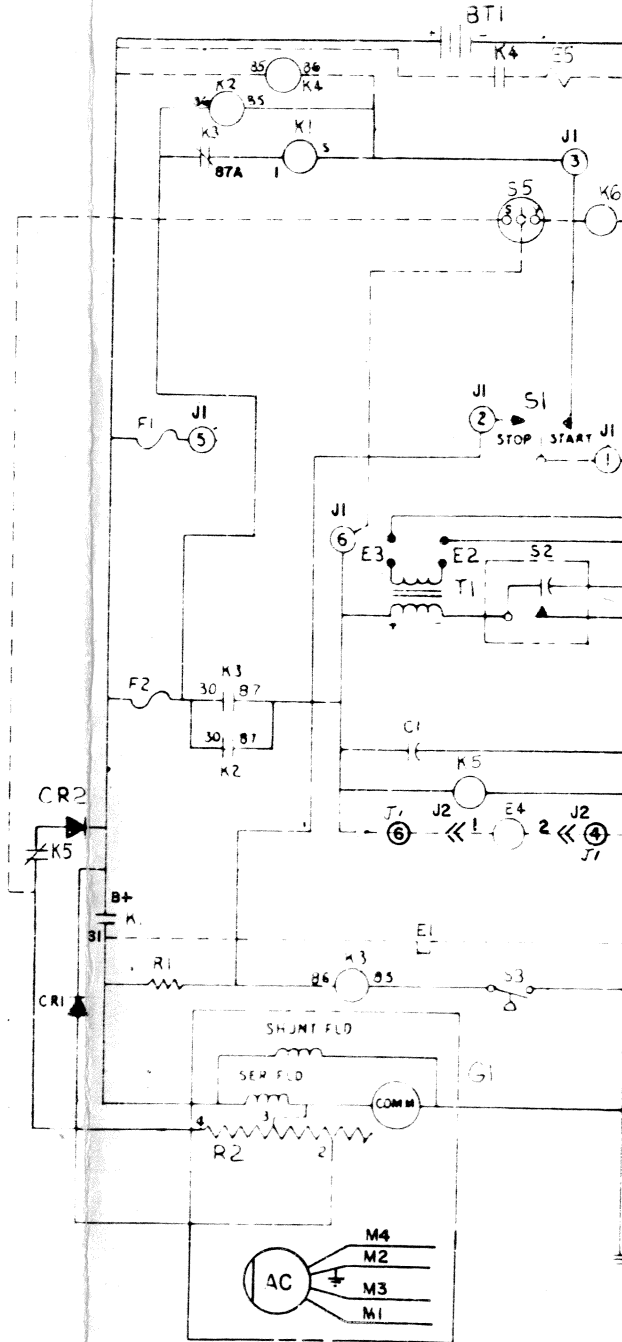
RECONNECTION CHART 4W



AC LEAD	M1	M2	M3	M4
3C 120/240V, 1PH	M1	M2	M3	M4
4 120/208V, 3PH	M1	M2	M3	M4
5D 120/380V, 3PH	M1	M2	M3	M4
7 220/380V, 3PH	M1	M2	M3	M4
4X 277/480V, 3PH	M1	M2	M3	M4
7X 240/416V, 3PH	M1	M2	M3	M4

VOLTAGE CODE  
 3C 120/240V, 1PH  
 4 120/208V, 3PH  
 5D 120/380V, 3PH  
 7 220/380V, 3PH  
 4X 277/480V, 3PH  
 7X 240/416V, 3PH

SCHEMATIC 98-3430



REF DES	PART NO	QTY	DESCRIPTION
A1	300-1323	D 1	CONTROL ASSY - 01
	300-1824	D 1	CONTROL ASSY - 02
ALL PART NOS LISTED BELOW ARE P/F ONLY			
A2	300-1819	B 1	CONTROL
B1		1	BLOWER
BT1		1	BATTERY - 12V
C1	312-0051	A 1	CAPACITOR
CR1,2	357-0030	P 2	RECTIFIER (BATT CHARGING)
E1		1	CHOKE - ONAN (-02)
E2,3		2	SPARK - PLUG
E4	149-1542	1	FUEL PUMP
E5		1	CHOKE - SISSION (01)
F1	321-0146	1	FUSE - CARTRIDGE (10 AMP)
	321-0115	P 2	FUSE HOLDER
F2	321-0134	2	FUSE - 5 AMP
G1		1	GENERATOR
J1	307-1617	B 1	START SOLENOID
K2	307-1575	P 1	RELAY - CRANK IGNITION
K3	307-1575	P 1	RELAY - RUN IGNITION
R1	352-0161	P 1	RESISTOR 100 OHM 5W
R2		1	RESISTOR
K5		P 1	RELAY - CHARGE
K4	307-1618	A 1	RELAY ASSY
K6		1	FUEL SOLENOID (NAT GAS ONLY)
S1	308-0383	A 1	SWITCH - START STOP
S2		1	SWITCH - BREAKER & CAP ASSY
S3		1	SWITCH - LOW OIL PRETS
T1	166-0643	D 1	COIL - IGNITION
TB1	332-0699	A 1	TERMINAL BLOCK
	98-3430	B 1	SILKSCREEN - WD (REF)
S5		1	SWITCH - VACUUM (FUEL SOLENOID) (NAT GAS ONLY)

611-1150

C	REMLINE ON A2-15, ER 0021	8-13-78
B	ADDED E4 TO J1	3-28-79
A	ADDED 300-1819 (B)	3-28-79

DIVISION OF OMAN CORPORATION  
 Minneapolis, Minnesota  
 DATE: 2-6-79  
 MODEL NO: 6.5 NH-3CR/8800  
 CONTROL - GEN SET  
 WIRING DIAGRAM  
 120/240 V 4 W 60 HZ  
 611-1142  
 611-1150  
 HUNTSVILLE