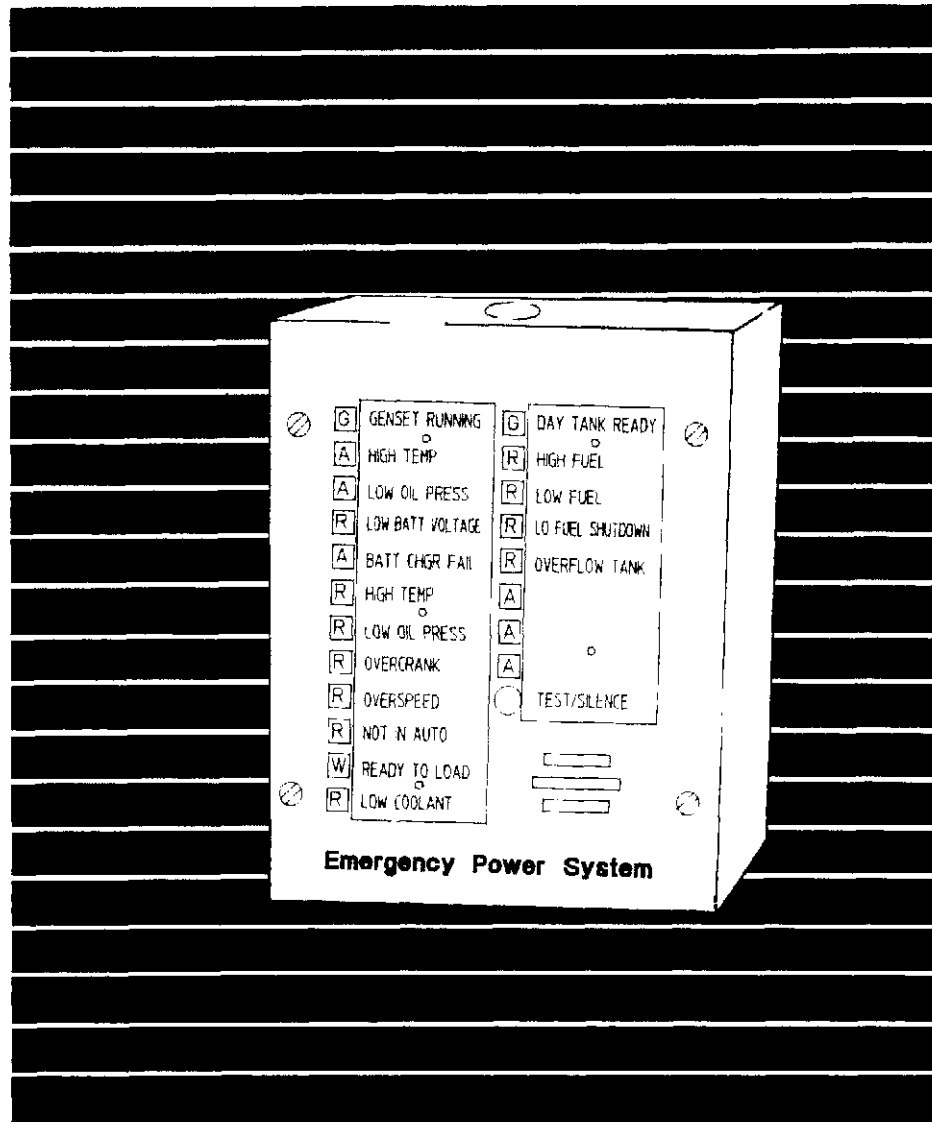




Operator's Manual

EPS ANN - NEGATIVE SIGNAL

REMOTE ALARM ANNUNCIATORS



Safety Precautions

▲WARNING *High voltage is deadly. Installation and service of the alarm annunciator involves working with high voltage equipment. Installation and service must be performed by qualified persons. Disconnect the utility line from the transfer switch and disconnect power from the battery charger, day tank and any other power equipment where connections are to be made.*

▲WARNING *Accidental starting of the generator set while working on it can cause severe injury or death. Disconnect the battery cables (negative [-] first) to prevent accidental starting.*

Always disconnect the negative [-] cable first, and connect it last, to prevent arcing if a tool accidentally touches the frame or other grounded metal parts of the set while connecting or disconnecting the positive (+) cable. Arcing can ignite the explosive hydrogen gas given off by the battery and cause severe injury.

escription and Operation

The Series EPS-ANN remote annunciators provide 20 lights and a horn to annunciate the operating status and fault conditions of an emergency power system (Figure 1).

- They are 24 VDC, negative signal devices. The fault or status switch must function so as to close the alarm circuit to the negative (-) terminal of the battery. Make sure the annunciator matches the polarity and voltage of the emergency power system.
- Horn operation can be selected for each input.
- The horn will sound again for subsequent faults if it has been silenced.
- The TEST/SILENCE button tests the lights, which should all light up when the button is pressed, and silences the horn.

⚠ WARNING *Faulty service of the equipment monitored by the annunciator can lead to severe injury or death or to loss of equipment or property due to fire or electrocution. Service must be performed by qualified persons only.*

- The indicator lights and the fuse for short circuit protection are field replaceable.
- The customer can specify surface, flush or open mounting.
- The customer can specify any combination of red, green, clear and amber indicator light lenses.
- The customer can specify the indicator light label marking (Figure 1 is typical).

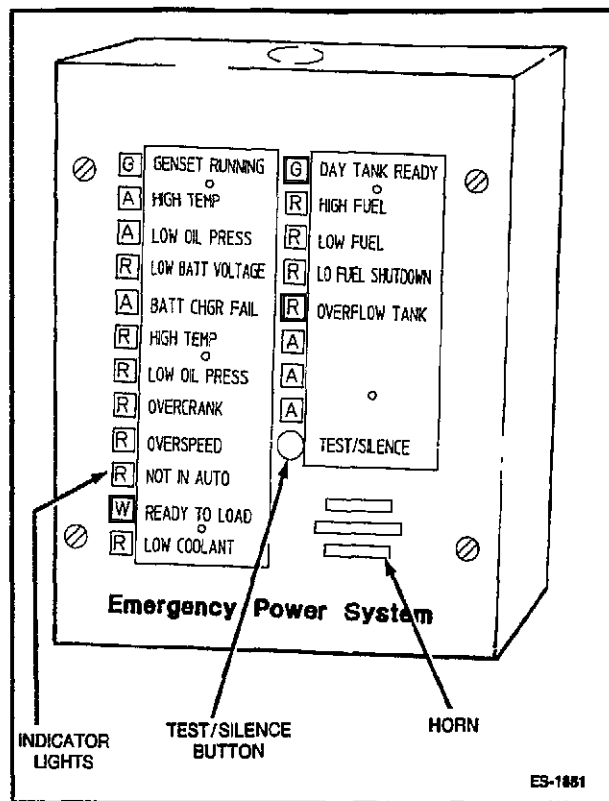


FIGURE 1. TYPICAL ANNUNCIATOR

Installation

1. Remove the junction box on models for surface or flush mounting and mount the box at the desired location (Figure 2). For open mounted models (no junction box) cut out a 4 x 5-1/2 inch opening for mounting at the desired location.
 - Connect the alarm circuits to terminals TB1-1 through TB1-20. The fault or status switches must function so as to close the circuit to the negative (-) terminal of the battery.
 - Connect terminal TB1-21 to the positive (+) terminal of the battery.
2. Before making any wiring connections, disconnect the utility line from the transfer switch (if connections are to be made to the transfer switch), disconnect power to the day tank and battery charger, and make sure the generator set cannot start by disconnecting the starting battery (negative [-] cable first). See *Safety Precautions*.
3. Route the wiring between the annunciator terminals (Figure 3) and the generator set, transfer switch, day tank and battery charger and make connections as follows:
 - Connect Terminal TB1-22 to the negative [-] terminal of the battery. Provide a separate lead. Do not rely on a ground-return path.
 - Do not route annunciator circuit wiring in the same conduit as any other wiring.
4. The PCB assembly of the annunciator has a horn selector switch for each input. Disable the horn for each circuit where its function is not required (Figure 3).
5. Secure the annunciator panel to the junction box or wall when wiring has been completed.
6. Reconnect the utility line to the transfer switch, reconnect the starting battery (negative [-] terminal last) and return the generator set to service.
7. Press the test button on the annunciator panel. All the indicator lights should light. Replace any that do not.
8. Test each alarm by grounding the respective fault sensor or switch with a jumper (only when the set is not serving a load). Clear the faults with the reset switch on the control panel of the generator set.

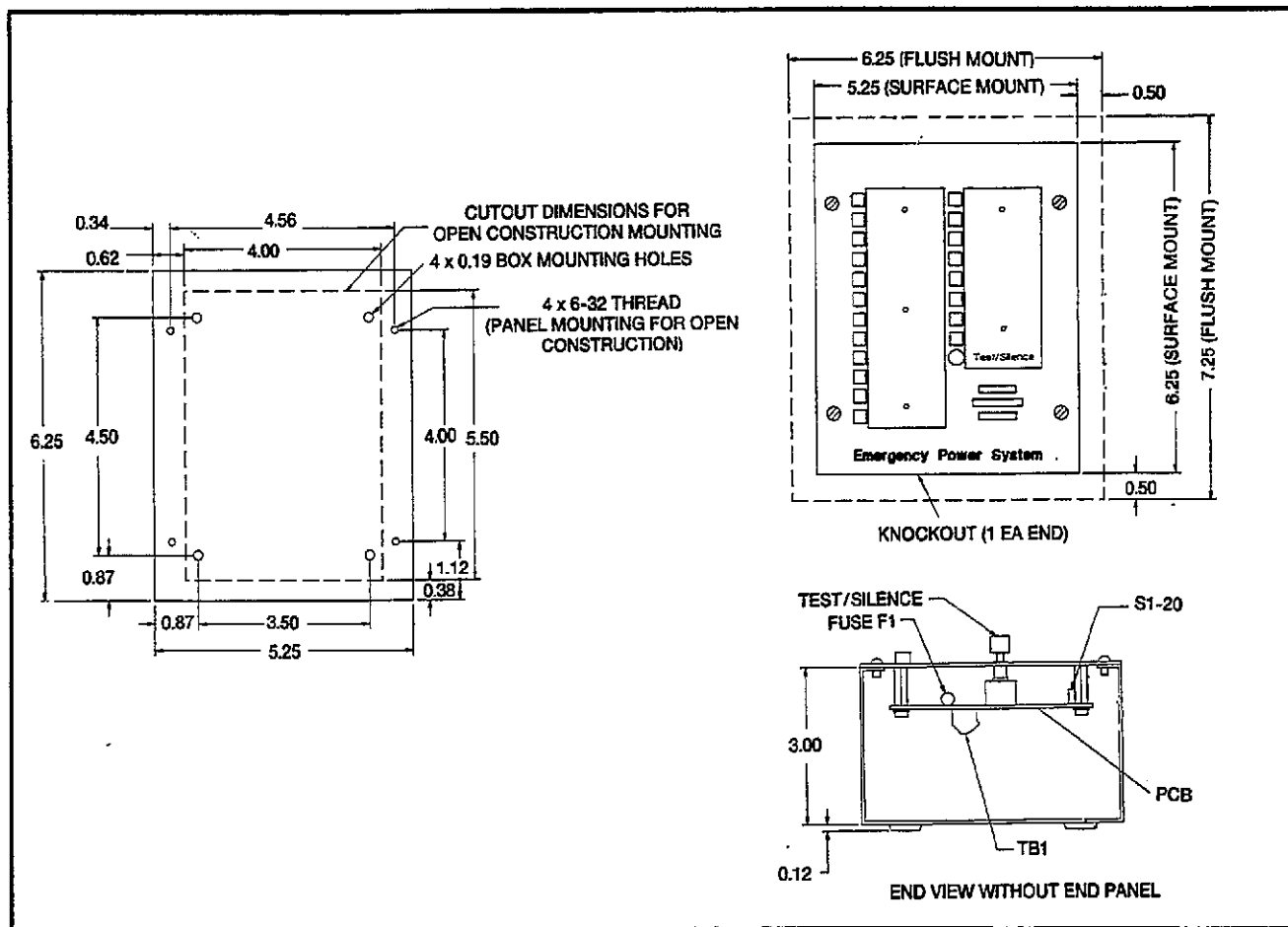


FIGURE 2. INSTALLATION

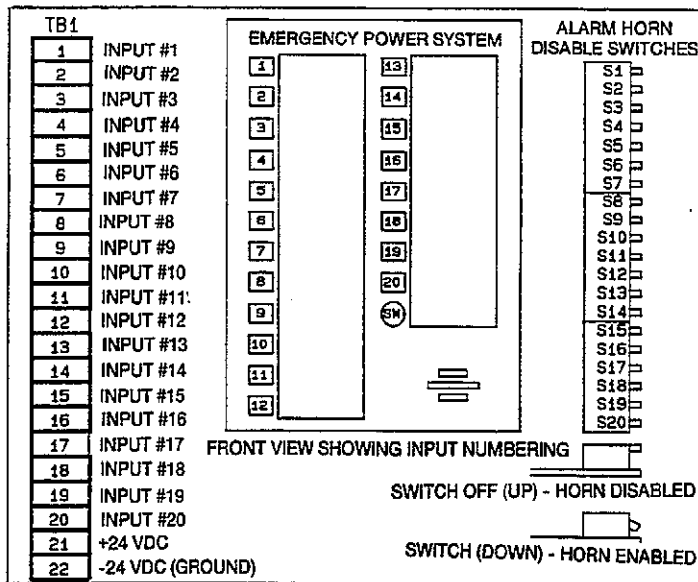
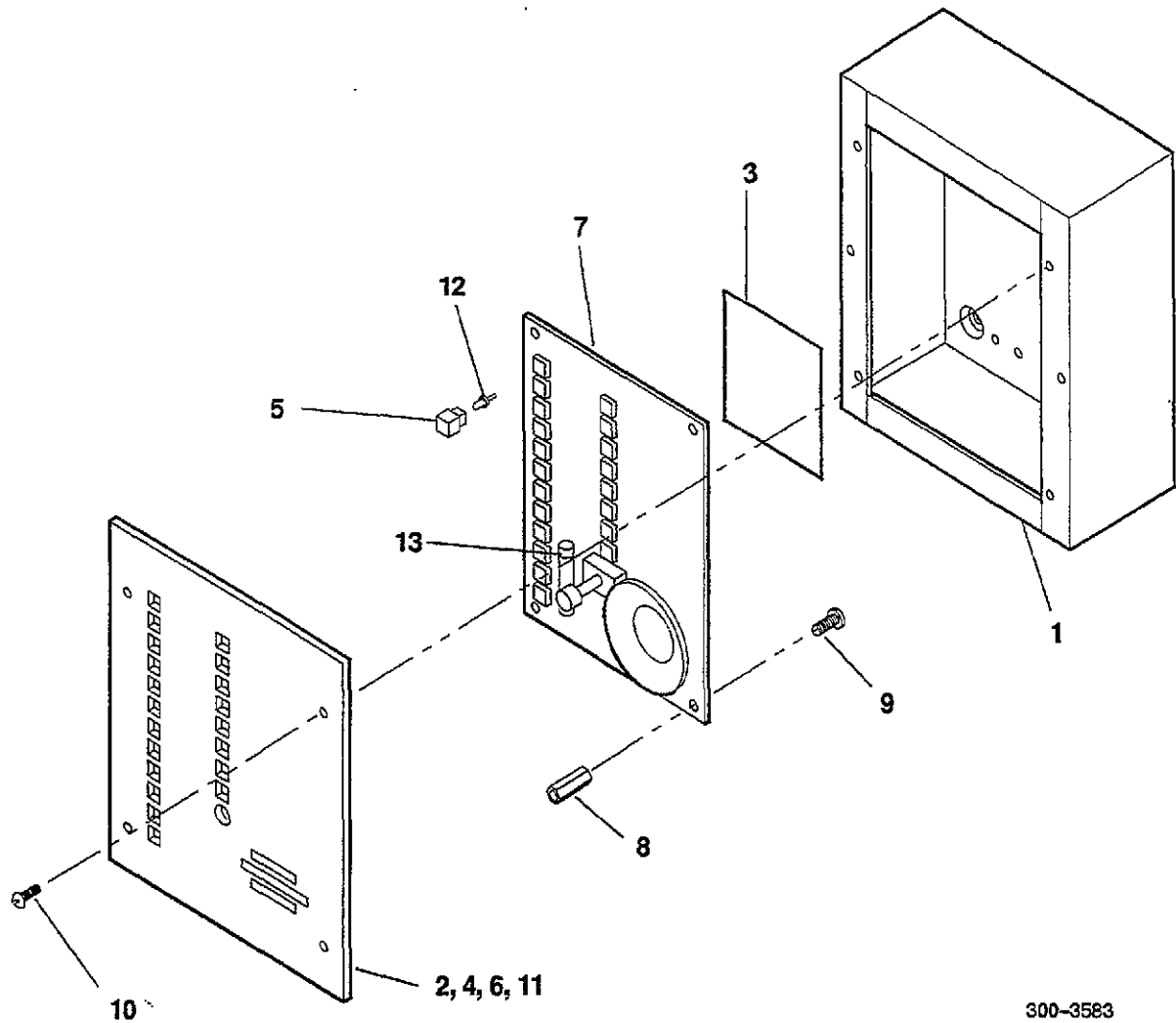


FIGURE 3. WIRING CONNECTIONS

Annunciator



300-3583

REF NO.	PART NO.	QTY USED	PART DESCRIPTION	REF NO.	PART NO.	QTY USED	PART DESCRIPTION
			Annunciator - Complete (Includes parts marked *)	7	300-3582	1	*Board, PC - 20 Light Annunciator
	300-4108-01	-	Flush Mount	8	870-0445	4	*Standoff
	300-4108-02	-	Surface Mount	9	815-0681	4	*Screw, Nylon (#8-32 x 3/8)
	300-4108-03	-	Open Construction	10	812-0059	4	*Screw, Machine - Round Head (#6-32 x 1/4)
1	301-3090	-	*Box, Control	11	098-5114	1	*Label, Onan Logo
2			*Panel	12			*LED, High Intensity
	319-0605	1	Flush Mount		322-0218	-	Red
	319-0604	1	Surface Mount		322-0219	-	Yellow
3	098-6019	1	*Label, Wiring Diagram		322-0220	-	Green
4	098-6017	1	*Label, Annunciator	13	321-0281-31	1	*Fuse (5 Amp, 32 Volt) (F1)
5			*Lens				
	322-0393-01	-	Red				
	322-0393-03	-	Green				
	322-0393-04	-	Yellow				
	322-0393-05	-	Clear				
6			*Nameplate, Blank				
	099-2405-01	1	12 Line				
	099-2405-03	1	8 Line				



Onan Corporation
1400 73rd Avenue N.E.
Minneapolis, MN 55432
Telex: 275477
Fax: 612-574-8087

Onan is a registered trademark of Onan Corporation
Cummins is a registered trademark of Cummins Engine Company



Redistribution or publication of this document
by any means, is strictly prohibited.