

SUPPLEMENT INDEX FOR NH SERIES - 940-0315

SUPPLEMENT NO.	DATE	FICHE LOCATION
900-0194	12/75	E3
940-1012	11/77	E7



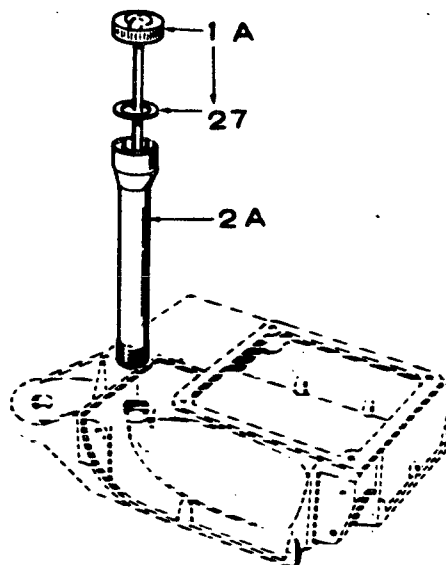
900-0194

SUPPLEMENTARY PARTS LIST (12/75)

These parts apply to the 4.0BF-1R/9500 and 6.0NH-1R/9500 Power Drawer Electric Power Plants. Use these parts in place of/or in addition to those parts listed in the Operators Manual and Parts catalog designated below. Parts listed apply to both models unless otherwise stated.

Parts similar in appearance to those in the parts catalog are not illustrated.

MODEL	OPERATORS MANUAL AND PARTS CATALOG
4.0BF-1R/9500	965-0315
6.0NH-1R/9500	940-0315



OIL SYSTEM GROUP

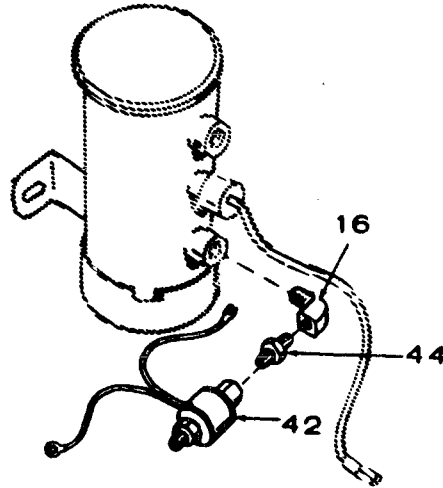
REF. NO.	PART NO.	QTY. USED	PART DESCRIPTION
1	123-1164	1	Cap and Indicator, Oil Fill - used up to Serial #I753125014-BF only
1A	123-1162	1	Cap and Indicator, Oil Fill - (Includes Gasket) - used beginning Serial #I753125015-BF Only
2	123-1208	1	Tube, Oil Fill - Used up to Serial #I753125014 - BF Only
2A	123-1179	1	Tube, Oil Fill - Used beginning Serial #I753125015 - BF Only
7	PLUG, OIL DRAIN (Order by Size)		
	102-0716	1	1/2"
	102-0737	1	3/4"
8	GASKET, OIL DRAIN PLUG (Order by Size)		
	102-0743	1	1/2"
	102-0739	1	3/4"
26	502-0196	1	Elbow, (90°) - Street - Low Oil Pressure Switch - NH Only
27	123-0191	1	Gasket, Oil Fill Cap - BF Only

CYLINDER BLOCK GROUP

REF. NO.	PART NO.	QTY. USED	PART DESCRIPTION
30	110-1807	4	Guide, Valve (Included in Cylinder Block Assembly) - BF Only

CRANKSHAFT, FLYWHEEL, CAMSHAFT AND PISTON GROUP

REF. NO.	PART NO.	QTY. USED	PART DESCRIPTION
11	PISTON AND PIN (INCLUDES RETAINING RINGS) - NH Only		
	112-0141	2	Standard
	112-0141-05	2	.005" Oversize
	112-0141-10	2	.010" Oversize
	112-0141-20	2	.020" Oversize
	112-0141-30	2	.030" Oversize
	112-0141-40	2	.040" Oversize



FUEL SYSTEM GROUP

REF. NO.	PART NO.	QTY. USED	PART DESCRIPTION
12	LINE, FLEXIBLE FUEL (Order by Length)		
	501-0001	1	6" Long
	501-0003	1	9" Long
16	ELBOW (90°) - STREET - FUEL PUMP INLET		
	502-0020	1	BF
	502-0196	1	NH
37	502-0002	1	Elbow - Fuel Pump Outlet
41	DELETE		
42	307-1279	1	Valve, Solenoid
44	502-0082	1	Nipple - Hex - Fuel Pump Inlet

CARBURETOR PARTS GROUP

REF. NO.	PART NO.	QTY. USED	PART DESCRIPTION
11	GASKET, BOWL RETAINER (INCLUDED IN GASKET KIT)		
	146-0183	1	Black
	146-0196	1	Red

GEAR COVER GROUP

REF. NO.	PART NO.	QTY. USED	PART DESCRIPTION
13	526-0065	5	Washer (5/16") Copper - Gear Cover Mounting

GOVERNOR, STATOR, CHARGING ALTERNATOR AND BLOWER HOUSING GROUP

REF. NO.	PART NO.	QTY. USED	PART DESCRIPTION
3	150-1418	1	Stud, Governor Adjusting - BF (
12.	191-1106	1	Regulator, 12 Volt

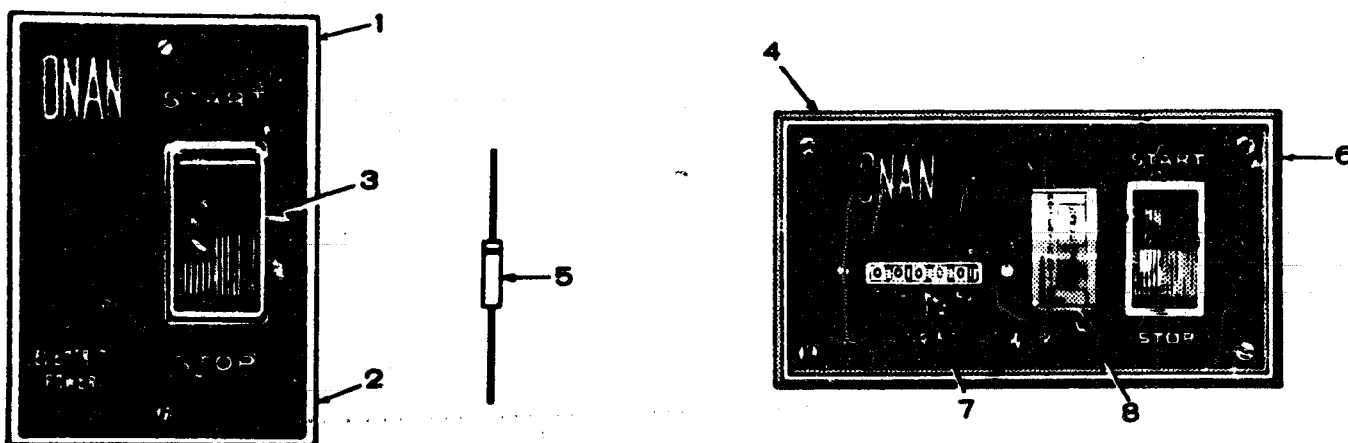
IGNITION GROUP

REF. NO.	PART NO.	QTY. USED	PART DESCRIPTION
16	312-0027	1	Condenser, Ignition

GENERATOR GROUP

REF. NO.	PART NO.	QTY. USED	PART DESCRIPTION
9	ARMATURE ASSEMBLY, WOUND 201-1986	1	*BF Only - Used up to Serial #I753125014
	201-1988	1	BF Only - Used beginning Serial #I753125015
12	FRAME AND STATOR, WOUND 220-1857	1	*BF Only - Used up to Serial #753125014
	220-1859	1	BF Only - Used beginning Serial #I753125015
17	REACTOR 315-0380	1	BF Only - Used up to Serial #I753125014
	315-0410	1	BF Only - Used beginning Serial #I753125015

* These parts no longer available - order both 201-1988 and 220-1859 for replacement.

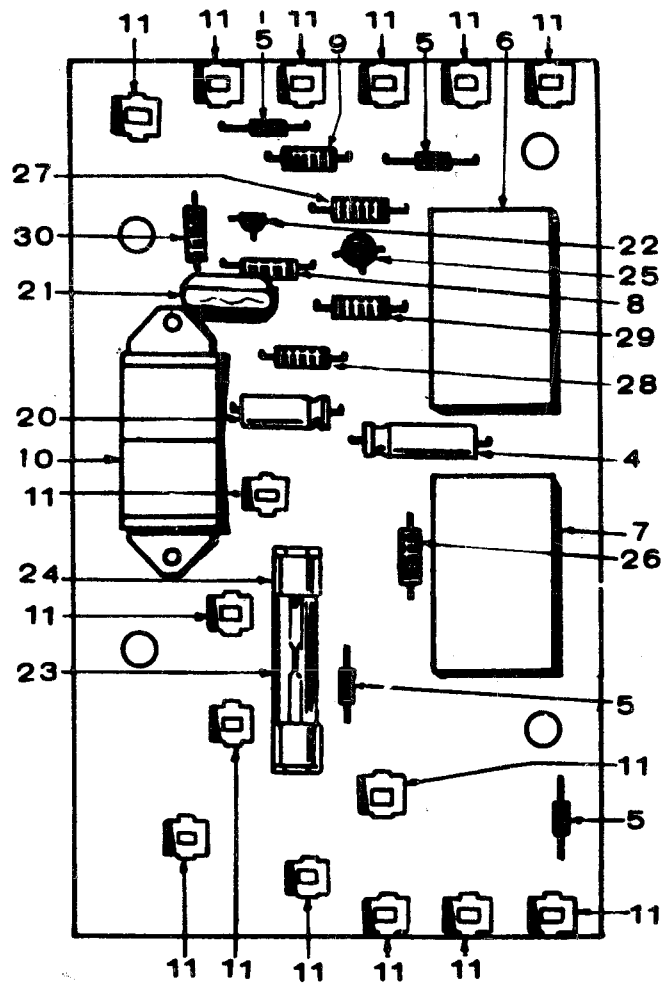


REMOTE CONTROL GROUP - OPTIONAL EQUIPMENT

REF. NO.	PART NO.	QTY. USED	PART DESCRIPTION
1	300-0985	1	Control Assembly, Remote (Includes Parts Marked +)
2	301-3566	1	+Panel, Control
3	308-0341	1	*+Switch, Rocker
4	300-0986	1	Control Assembly, Deluxe Remote (Includes Parts Marked *)
5	359-0008	1	*Diode, Zener
6	301-3606	1	*Panel, Control
7	302-0885	1	*Meter, Running Time
8	302-0888	1	*Meter, Battery Voltage

+ - Included in 300-0985 Control Assembly.

* - Included in 300-0986 Control Assembly.



CONTROL GROUP

REF. NO.	PART NO.	QTY. USED	PART DESCRIPTION
3	300-1073	1	Control Assembly (Includes Parts Marked *)
4	356-0058	1	*Capacitor (100 Mfd., 25 VDC)
5	357-0004	4	*Rectifier, Silicon
6	307-1309	1	*Relay, Start Disconnect (Includes Dust Pad)
7	307-1308	1	*Relay, Engine Stop (Includes Dust Pad)
8	350-0524	1	*Resistor (100-Ohm, 1/2 Watt)
9	350-0526	1	*Resistor (150-Ohm, 1/2 Watt)
10	308-0320	1	*Switch
11	332-1511	15	*Tab, Stake
20	356-0046	1	*Capacitor (5 Mfd., 25 Volt)
21	355-0025	1	*Capacitor (.1 Mfd., 100 Volt)
22	364-0017	1	*Rectifier, Gate Control (8 Amp., 30 Volt)
23	321-0181	1	*Fuse, 5 Amp
24	321-0163	2	*Clip, Fuse Holder
25	361-0006	1	*Transistor, Unijunction
26	350-0370	1	*Resistor (200-Ohm, 1/2 Watt)
27	350-0568	1	*Resistor (470 K Ohm, 1/2 Watt)
28	350-0421	1	*Resistor (27 K Ohm, 1/2 Watt)
29	350-0416	1	*Resistor (16 K Ohm, 1/2 Watt)
30	350-0325	1	*Resistor (2.7 Ohm 1/2 Watt)

* Parts Included in the 300-1073 Control Assembly