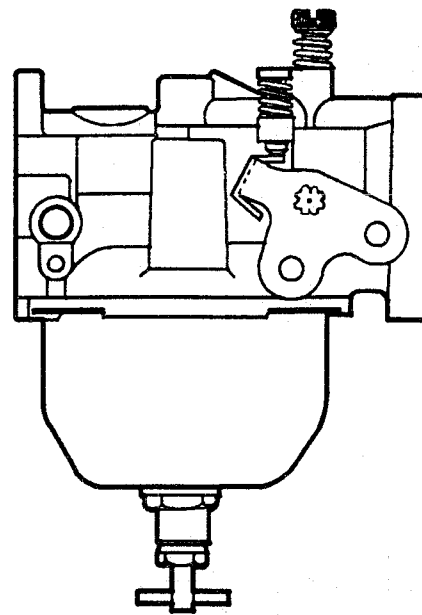


Onan

PRODUCT GUIDE

Carburetor Index



UsefulCDs

<http://stores.ebay.com/UsefulCDs>

CARBURETORS

This manual contains a list of carburetors used on Onan engines and generator sets. It also contains component lists for many of the carburetors. The following information is given for the carburetors listed.

Carburetor Kit Numbers: This is a carburetor list containing the carburetor and mounting gasket. Some kits contain other parts necessary to replace original equipment. Some parts manuals list only these replacement kits with no reference to the carburetor contained in the kit. From this list you can determine the carburetor within these kits.

Carburetor Only Number: This is the carburetor number that is supplied in the kit or as listed without other parts.

Vendor Number: This number can be helpful in identifying a carburetor. If no other identifying number shows on the carburetor body or tag check for the vendor number.

Identifying Number Or Mark: This number is used to properly identify carburetors used by Onan. Some use the Onan part number. These numbers can be stamped on the carburetor body, flange or they can be on an attached tag.

Replacement Part Number: This is the part number of the current carburetor kit that replaces the original equipment.

Repair Kit: Contains parts necessary to repair the carburetor.

Gasket Kit: Contains gaskets for carburetor disassembly.

Flange Gasket: Gasket used to mount the carburetor to the manifold.

Model: The carburetor was used on this model. It can also be used on other models, however in most cases are used only on models indicated.

Specs: The carburetors change with spec advances. When no spec is indicated it applies to all specs.

Breakdown On Fiche: The most current breakdown of the carburetor components with illustrations.

Breakdown In Manuals: This also is a current breakdown with illustrations. Where the asterisk (*) is shown the breakdown is included in this manual.

Carburetor Kit Number	Carburetor Only Number	Vendor No.	Identifying No. or Mark	Replacement Part No.	Repair Kit	Gasket Kit	Flange Gasket	Model	Specs	Breakdown On Fiche Cards	Breakdown In Manuals
	141-0332	0-10335	10335	F-10	NA	NA		62AJ10			*
	141-0333	0-10331	10331	NA	NA	NA		62AJ10			*
	141-0334	0-10336	10336	NA	NA	NA		62AJ10			*
	141-0335	0-10437	10437	F-10	NA	NA		AH			*
	141-0339	0-10542	10542	F-10	NA	NA		AH			*
	141-0342	0-10533	10533	NA	NA	NA		AAE			*
	141-0358	0-10721	10721	NA	NA	NA	141-0395	AH			*
	141-0368	0-10789	10789	NA	NA	NA		AH			*
	141-0410	0-10959	10959	141-0865	NA	NA		AH			*
	141-0411			141-0866	NA	NA		AH			*
	141-0453	0-11304	11304	NA	NA	NA		ABG			*
	141-0466			NA	141-0563	141-0529	154-0133	10CW			*
	141-0479			NA	141-0563	141-0529	154-1033	5CW			*
	141-0492			NA	141-0563	141-0529	154-0133	5CW			*
	141-0494			NA	141-0563	141-0529	154-0133	10CW			*
	141-0524	0-9422	9422	F-10	NA	NA		W2C			*
	141-0560	0-11661A	11661A	NA	141-0563	141-0529	154-0133	5CW			*
	141-0564	0-11691A	11691A	F-10	NA	NA	154-0133	10CW			*
	141-0575	0-11818AB	11818AB	141-0869	NA	NA	154-0133	CW			*
	141-0621	0-11691A-C	11691A-C	141-0874	141-0563	141-0529	154-0133	CW			*
	141-0625	0-12412	12412	NA	NA	NA		HC			*
	141-0627	0-12455	12455	141-0627			145-0120	EK, EM			*
	141-0634	G-12579	PC1-10	NA		NA	154-0133	CW			*
	141-0635	0-12411	12411	141-0871	NA	NA		HC			*
	141-0636	0-12412	12412	F-10	NA	NA		HC			*
	141-0647	GC12653	12653	141-0873	141-0653	141-0652	141-0281	CCK/CCKA			*
	141-0655	12797	28810	141-0874	141-0563	141-0529	154-0133	CW			*
	141-0670	G0-12896	PC2J10	NA		NA	154-0133	CW			*
	141-0678	0-13197	13197A	NA	NA	NA	141-0078	LK			*
	141-0681	0-13217	13217C	141-0681	NA	NA	141-0078	LKB			*
	141-0682	0-13216	13216E	141-0875	NA	NA	141-0078	LKB/L25			*
	141-0685	0-13260	685	141-0876	141-0747	141-0748	154-0733	JC-Eng	Begin R	119	967-0254
141-0876	141-0685	0-13260	685	141-0876	141-0747	141-0748	154-0733	JC-Eng	Begin R	338B	967-0220
141-0876	141-0685	0-13260	685	141-0876	141-0747	141-0748	154-0733	JC-Eng	Begin R	119	967-0254
141-0759	141-0685	0-13260	685	141-0759	141-0747	141-0748	154-0733	JC-Gen	A-Q	338B	967-0220
141-0759	141-0685	0-13260	685	141-0759	141-0747	141-0748	154-0733	JC-Eng	A-Q	119	967-0254
141-0876	141-0685	0-13260	685	141-0876	141-0747	141-0748	141-0281	RJC	Begin R	65	974-0220
141-0877	141-0686	0-13261	686	141-0877	141-0747	141-0748	154-0733	JC-Eng	Begin R	119	967-0254
141-0756	141-0686	0-13261	686	141-0756	141-0747	141-0748	154-0733	JC-Eng	A-Q	119	967-0254
	141-0686	0-13261	686	141-0877	141-0747	141-0748	154-0733	JC-Eng	Begin R	119	967-0254
	141-0689	0-13262	689	141-0878	141-0747	141-0748	141-0281	NH-Eng		129	940-0253
141-0774	141-0689	0-13262	689	141-0774	141-0747	141-0748	141-0281	CCKB-Gen		216	927-0223
141-0774	141-0689	0-13262	689	141-0774	141-0747	141-0748	141-0281	CCKB-Eng	G	111	927-0404
141-0878	141-0689	0-13262	689	141-0878	141-0747	141-0748	141-0281	RCKK		138	927-0256
141-0878	141-0689	0-13262	689	141-0878	141-0747	141-0748	141-0281	CCKB-Eng	Begin H	111	927-0404

Carburetor Kit Number	Carburetor Only Number	Vendor No.	Identifying No. or Mark	Replacement Part No.	Repair Kit	Gasket Kit	Flange Gasket	Model	Specs	Breakdown On Fiche Cards	Breakdown In Manuals
	141-0689	0-13262	689	141-0878	141-0747	141-0748	141-0281	CCKB-Gen		216	927-0223
	141-0689	0-13262	689	141-0878	141-0747	141-0748	141-0281	CCKB-Tractor		110A	927-0251
	141-0690	0-13263C	690	141-0879	141-0747	141-0748	141-0281	NH-Eng		129	940-0253
141-0879	141-0690	0-13263C	690	141-0879	141-0747	141-0748	141-0281	CCKB-Eng	Begin H	111	927-0404
141-0792	141-0690	0-13263C	690	141-0792	141-0747	141-0748	141-0281	MCCK	A-G	307	927-0221
141-0792	141-0690	0-13263C	690	141-0792	141-0747	141-0748	141-0281	CCKB-Gen	A	216	927-0223
	141-0690	0-13263C	690	141-0879	141-0747	141-0748	141-0281	MCCK	A-G	307	927-0221
	141-0690	0-13263C	690	141-0879	141-0747	141-0748	141-0281	CCKB-Gen	Begin B	216	927-0223
141-0880	141-0692	0-13264	692	141-0880	141-0747	141-0748	154-0733	JB-Gen	Begin R	33	967-0223
141-0880	141-0692	0-13264	692	141-0880	141-0747	141-0748	154-0733	JB-Eng	Begin R	119	967-0254
141-0762	141-0692	0-13264	692	141-0762	141-0747	141-0748	154-0733	JB-Gen	A-Q	33	967-0223
141-0762	141-0692	0-13264	692	141-0762	141-0747	141-0748	154-0733	JB-Eng	A-Q	119	967-0254
	141-0692	0-13264	692	141-0880	141-0747	141-0748	154-0733	JB-Eng	Begin R	119	967-0254
141-0881	141-0693	0-13265	693	141-0881	141-0747	141-0748	154-0733	JB-Gen	Begin R	33	967-0223
141-0881	141-0693	0-13265	693	141-0881	141-0747	141-0748	154-0733	JB-Eng	Begin R	119	967-0254
141-0763	141-0693	0-13265	693	141-0763	141-0747	141-0748	154-0733	JB-Gen	A-Q	33	967-0223
141-0763	141-0693	0-13265	693	141-0763	141-0747	141-0748	154-0733	JB-Eng	A-Q	119	967-0254
	141-0693	0-13265	693	141-0881	141-0747	141-0748	154-0733	JB-Eng	Begin R	119	967-0254
141-0761	141-0717	0-13273	717	141-0761	141-0747	141-0748	154-0733	JB-Gen	A-Q	33	967-0223
141-0761	141-0717	0-13273	717	141-0761	141-0747	141-0748	154-0733	JB-Eng	A-Q	119	967-0254
	141-0717	0-13273	717	F-10	141-0747	141-0748	154-0733	JB-Eng	Begin R	119	967-0254
141-0883	141-0717	0-13273	717	F-10	141-0747	141-0748	154-0733	JB-Gen	Begin R	33	967-0223
141-0883	141-0717	0-13273	717	F-10	141-0747	141-0748	154-0733	JB-Eng	Begin R	119	967-0254
141-0760	141-0718	0-13274	718	141-0760	141-0747	141-0748	154-0733	JB-Eng	A-Q	119	967-0254
	141-0718	0-13274	718	141-0884	141-0747	141-0748	154-0733	JB-Eng	Begin R	119	967-0254
141-0884	141-0718	0-13274	718	141-0884	141-0747	141-0748	154-0733	JB-Gen	Begin R	33	967-0223
141-0884	141-0718	0-13274	718	141-0884	141-0747	141-0748	154-0733	JB-Eng	Begin R	119	967-0254
141-0755	141-0719	0-13275	719	F-10	141-0747	141-0748	154-0733	JC-Eng	A-Q	119	967-0254
	141-0719	0-13275	719	F-10	141-0747	141-0748	154-0733	JC-Eng	Begin R	119	967-0254
141-0885	141-0719	0-13275	719	F-10	141-0747	141-0748	154-0733	JC-Eng	Begin R	119	967-0254
141-0758	141-0720	0-13277	720	141-0758	141-0747	141-0748	141-0281	RJC	A-Q	65	974-0220
	141-0720	0-13277	720	141-0886	141-0747	141-0748	141-0281	RJC	A-Q	65	974-0220
141-0758	141-0720	0-13277	720	141-0758	141-0747	141-0748	154-0733	RJC-Gen	A-Q	65	974-0220
141-0758	141-0720	0-13277	720	141-0758	141-0747	141-0748	154-0733	JC-Eng	A-Q	119	967-0254
	141-0720	0-13277	720	141-0886	141-0747	141-0748	154-0733	JC-Eng	Begin R	119	967-0254
141-0886	141-0720	0-13277	720	141-0886	141-0747	141-0748	154-0733	JC-Gen	Begin R	338B	967-0220
141-0886	141-0720	0-13277	720	141-0886	141-0747	141-0748	154-0733	JC-Eng	Begin R	119	967-0254
141-0886	141-0720	0-13277	720	141-0886	141-0747	141-0748	154-0733	RJC-Gen	Begin R	65	974-0220
141-0887	141-0721	0-13278	721	141-0887	141-0747	141-0748	141-0281	CCKB-Eng	Begin H	111	927-0404
141-0856	141-0721	0-13278	721	141-0856	141-0747	141-0748	141-0281	CCKB-Gen	A	216	927-0223
	141-0721	0-13278	721	141-0887	141-0747	141-0748	141-0281	CCKB-Gen	Begin B	216	927-0223
141-0888	141-0722	0-13279	722	141-0888	141-0747	141-0748	141-0281	CCKB-Eng	Begin H	111	927-0404
141-0857	141-0722	0-13279	722	141-0857	141-0747	141-0748	141-0281	CCKB-Gen	A	216	927-0223
	141-0722	0-13279	722	141-0888	141-0747	141-0748	141-0281	CCKB-Gen	Begin B	216	927-0223
	141-0723	0-13280B	13280B	NA	141-0747	NA	141-0078	LKB			

Carburetor Kit Number	Carburetor Only Number	Vendor No.	Identifying No. or Mark	Replacement Part No.	Repair Kit	Gasket Kit	Flange Gasket	Model	Specs	Breakdown On Fiche Cards	Breakdown In Manuals
	141-0724	0-13281B	13281B	NA	141-0747	NA	141-0078	LKB			
141-0757	141-0725	0-13282	725	141-0757		141-0748	154-0733	RJC-Gen	A-Q	65	974-0220
141-0757	141-0725	0-13282	725	141-0757		141-0748	154-0733	JC-Eng	A-Q	119	967-0254
	141-0725	0-13282	725	141-0889		141-0748	154-0733	JC-Eng	Begin R	119	967-0254
141-0889	141-0725	0-13282	725	141-0889		141-0748	154-0733	JC-Gen	Begin R	33BB	967-0220
141-0889	141-0725	0-13282	725	141-0889		141-0748	154-0733	JC-Eng	Begin R	119	967-0254
141-0889	141-0725	0-13282	725	141-0889		141-0748	154-0733	RJC-Gen	Begin R	65	974-0220
141-0893	141-0726	0-13283	726	141-0839		141-0748	141-0281	CCKB-Gen	A	216	927-0223
	141-0726	0-13283	726	141-0890		141-0748	141-0281	CCKB-Gen	Begin B	216	927-0223
141-0764	141-0726	0-13283	726	141-0764		141-0748	154-0733	JB-Gen	A-Q	33	967-0223
141-0764	141-0726	0-13283	726	141-0764		141-0748	154-0733	JB-Eng	A-Q	119	967-0254
	141-0726	0-13283	726	141-0890		141-0748	154-0733	JB-Eng	Begin R	119	967-0254
141-0890	141-0726	0-13283	726	141-0890		141-0748	154-0733	JB-Gen	Begin R	33	967-0223
141-0890	141-0726	0-13283	726	141-0890		141-0748	154-0733	JB-Eng	Begin R	119	967-0254
141-0840	141-0744	0-13321		141-0840		141-0748	141-0281	CCKB-Eng	G	111	927-0404
141-0892	141-0744	0-13321		141-0912		141-0748	141-0281	CCKB-Eng	Begin H	111	927-0404
	141-0744	0-13321		141-0912		141-0748	141-0281	CCKB		111	927-0404
	141-0772	0-13473C	772	141-0772	141-0785	141-1748	154-0733	NB-Eng		128	940-0401
	141-0776	0-13595	13595A	141-0900	141-0747	NA	154-0733	NH			*
	141-0777	0-13595	13595A	NA	141-0747	NA	154-0733	NH			*
	141-0779	0-13543	13543	141-0893	NA	NA	154-0733	NB			*
	141-0781	0-13487		141-0894	141-0785	141-0748	154-0733	NB Tractor			940-1001
141-0894	141-0781	0-13487		141-0894	141-0747	141-0748	154-0733	NB Tractor			940-1001
	141-0790	0-13576	13576	NA	NA	NA	141-0078	L25			*
141-0895	141-0802	0-13656	802	141-0895	141-0747	141-0748	141-0281	NHC/V-Eng		131	940-0251
	141-0802	0-13656	802	141-0895	141-0814	141-0748	141-0281	NHC/NHCV-Eng			
	141-0803	0-13657	803	141-0896	141-0814	141-0748	141-0281	NHC/NHCV-Eng	A-C	131	940-0251
	141-0806	0-13682	141-0806	141-0898	141-0747	141-0748	141-0281	NH-RV	A-D	227	940-0221
141-0898	141-0806	0-13682	141-0806	141-0898	141-0747	141-0748	141-0281	NH-RV	A-D	227	940-0221
	141-0807	0-13681	141-0807	141-0899	141-0747	141-0748	141-0281	NH-Gen	A-K	44	940-0223
141-0899	141-0807	0-13681	141-0807	141-0899	141-0747	141-0748	141-0281	NH-Gen	A-K	44	940-0223
	141-0808	0-13682	141-0806	141-0900	141-0747	141-0748	141-0281	NH-Gen	A-K	44	940-0223
141-0900	141-0808	0-13682	141-0806	141-0900	141-0747	141-0748	141-0281	NH-Gen	A-K	44	940-0223
	141-0823	0-13656	802	F-10	141-0814	141-0748	141-0281	NHC/NHCV-Eng	A-C		
	141-0828	0-13764	13764	NA	NA	NA	141-0281	CCKB			*
	141-0833	0-13816	833	141-0901		141-0748	141-0281	NH-Gen	A-K	44	940-0223
141-0901	141-0833	0-13816	833	141-0901		141-0748	141-0281	NH-Gen	A-K	44	940-0223
	141-0835	0-13765	13765	NA	NA	NA	141-0281	CCKB			*
141-0902	141-0841	0-13799	13799	141-0902			141-0852	EN			
	141-0841	0-13799	13799	141-0902			141-0852	EN			
	141-0843	0E-3455	843	141-0843	141-0814	141-0748	141-0281	NHC/NHCV-Eng			
	141-0847	0-13817	847	F-10	141-0747	141-0748	141-0281	NH-Gen	A-K	44	940-0223
141-0912	141-0853	0-13321		141-0912		141-0748	141-0281	CCKB-Eng	Begin H	111	927-0404
	141-0853	0-13321		141-0912		141-0748	141-0281	CCKB	Begin H	111	927-0404
	141-0854	0-13824	13824	141-0854	141-0947	NA	154-0133	SK			*

Carburetor Kit Number	Carburetor Only Number	Vendor No.	Identifying No. or Mark	Replacement Part No.	Repair Kit	Gasket Kit	Flange Gasket	Model	Specs	Breakdown On Fiche Cards	Breakdown In Manuals
	141-0862	0-13905	13905	141-0953	141-0944	NA	145-0120	ES			*
141-0915	141-0891	0-13909	13909	141-0915			145-0120	ES			
	141-0891	0-13909	13909	141-0891	NA	NA	145-0120	ES			*
141-0914	141-0913	0-14176	14176	141-0914			154-0120	ES			
	141-0929	0-13990	141-0929	146-0456	141-0927	141-0928	141-0281	NHE	A	235	940-0227
	141-0930	0-13824-B	13824-B	NA	NA	NA	154-0133	SKB			*
	141-0931	0-13982	13982	141-0931	141-0944	NA	154-0133	SKB			*
	141-0932	0-13989	141-0932	141-0932			141-0281	BGDL		212G	965-0228
	141-0932	0-13989	141-0932	141-0932			141-0281	BGEL		213E	965-0231
	141-0933	0-13997	141-0933	141-0933			141-0281	NHEL	Begin D	236	940-0228
	141-0933	0-13997	141-0933	141-0933			141-0281	NHDL		234	940-0229
	142-0057	10-3077	VD26A	F-10	NA	142-0033	141-0078	CK			*
	142-0068	10-2934	VD29	F-10	NA	142-0033	141-0078	CK			*
	142-0182	10-3018	VD32	F-10	NA	142-0033	141-0078	CK			*
142-0311	142-0185	8-3027	VD34	F-10	142-0414	142-0033	141-0078	MAJ		305	933-0220
	142-0260	10-3738	VD42A	F-10	NA	142-0033	141-0078	CK			*
	142-0261	10-3735	VD41A	F-10	NA	142-0033	141-0078	CK			*
	142-0262	10-3252	VD32A	NA	NA	142-0033	141-0078	CK			*
	142-0263	10-3262	VD43	NA	NA	142-0033	141-0078	CK			*
	142-0264	10-3261	VD44	NA	NA	142-0033	141-0078	CK			*
	142-0321	10-3521	TSX481	NA		NA					*
142-0645	142-0359	0-13942	VD58A	142-0645	142-0371	142-0033	141-0078	CCK-Gen		13	927-0222
	142-0359	10-3902	VD58	142-0645	142-0371	142-0033	141-0078	CCK			*
142-0575	142-0362	0-13942	VD60A	142-0575	142-0371	142-0033	141-0078	BF-RV		208	965-0220
142-0646	142-0362	0-13943	VD60A	142-0646	142-0371	142-0033	141-0078	CCK-Gen		13	927-0222
	142-0362	10-3934	VD60	142-0646	142-0371	142-0033	141-0078	CCK			*
	142-0363	0-13942	VD58A	142-0645	142-0371	142-0033	141-0078	CCK,CCKA Eng	A-F	110	927-0253
	142-0364	0-13943	VD60A	142-0646	142-0371	142-0033	141-0078	Home Stdbby		15	927-0360
142-0615	142-0366	0-13943	VD60A	142-0615	142-0371	142-0033	141-0078	CCK-Gen		13	927-0222
	142-0366	0-13943	VD60A	142-0366	142-0371	142-0033	141-0078	Stdbby		15	927-0360
142-0616	142-0367	0-13942	VD58A	142-0616	142-0371	142-0033	141-0078	CCK-Gen		13	927-0222
	142-0367	0-13942	VD58A	142-0616	142-0371	142-0033	141-0078	CCK/CCKA Eng		110	927-0253
	142-0372	0-13943	VD60A	142-0617		142-0033	141-0078	CCK/CCKA Eng		110	927-0253
	142-0376	0-13941	VD63A	142-0376		142-0033	141-0078	CCK			*
	142-0378	0-13942	VD58A	142-0620	142-0371	142-0033	141-0078	CCK			*
142-0647	142-0383		VD64	142-0647	142-0387	142-0033	141-0078	CCK Welder	F	17	927-0255
	142-0386		VD64	142-0647	142-0387	142-0033	141-0078	CCK Welder	A-D	16	927-1010
	142-0395	142-0376	VD63A	142-0395		142-0033	141-0078	CCK-Thermo			*
	142-0397	0-13942	VD58A	142-0622	142-0371	142-0033	141-0078	CCK			*
	142-0400	0-13941	VD63A	142-0400		142-0033	141-0078	CCK			*
	142-0415	0-13948	VD65A	142-0651	142-0371	142-0033	141-0078	CCK			*
	142-0416	0-13948	VD65A	142-0651	142-0371	142-0033	141-0078	CCK Welder	Begin H	17	927-0255
	142-0416	0-13948	VD65A	142-0651	142-0371	142-0033	141-0078	CCK,CCKA Eng		110	927-0253
142-0651	142-0416	0-13948	VD65A	142-0651	142-0371	142-0033	141-0078	CCK,CCKA		110AB	927-1120
	142-0419	0-13948	VD65A	F-10	142-0371	142-0033	141-0078	CCK/CCKA			*

Carburetor Kit Number	Carburetor Only Number	Vendor No.	Identifying No. or Mark	Replacement Part No.	Repair Kit	Gasket Kit	Flange Gasket	Model	Specs	Breakdown On Fiche Cards	Breakdown In Manuals
	142-0422	10-4648	VD66	142-0422	142-0664	142-0033	141-0078	CCK			*
	142-0424	8-4842	VD68	NA	142-0371	142-0033	141-0078	CCK			*
	142-0426	0-13951	VD67A	142-0426	142-0664	142-0033	141-0078	CCK, CCKA Eng	Begin G	110	927-0253
	142-0429		VD70	142-0429	142-0475	142-0033	141-0078	CCK			*
142-0627	142-0431	0-13948	VD65A	142-0431	142-0664	142-0033	141-0078	CCK, CCKA Eng		110	927-0253
	142-0436	0-13948	VD65A	F-10	142-0371	142-0033	141-0078	CCK, CCKA		110AB	927-1120
	142-0436	0-13948	VD65A	F-10	142-0371	142-0033	141-0078	CCK/CCKA Eng		110	927-0253
	142-0440	142-0376	VD63A	142-0628		142-0033	141-0078	CCK			*
	142-0447	10-4843	VD69	142-0431	142-0664	142-0033	141-0078	CCK			*
	142-0448	10-4844	VD70	142-0429	142-0664	142-0033	141-0078	CCK			*
	142-0450		VD78	142-0631	142-0475	142-0033	141-0078	CCK			*
	142-0457	10-4863	VD71	NA	142-0664	142-0033	141-0078	CCK			*
	142-0458	0-13948	VD65A	F-10	142-0371	142-0033	141-0078	CCK			*
142-0632	142-0472	0-13948	VD65A	142-0632		142-0033	141-0078	CCK/CCKA		110	927-0253
	142-0472	0-13948	VD65A	142-0632		142-0033	145-0438	NH-Gen	L-N	44	940-0223
	142-0473	0-13942	VD58A	142-0633		142-0033	141-0078	CCK			*
	142-0478	8-5068	VD74	142-0478	142-0371	142-0033	141-0078	CCK			*
	142-0485		VD70	142-0485	142-0475	142-0033	141-0078	CCKA			*
	142-0489	8-5089	VD75	142-0490	142-0494	142-0033	141-0078	CCK			*
	142-0490	0-13970	VD75A	142-0494	142-0494	142-0033	141-0078	CCK Tractor		110AA	927-0250
	142-0491		VD76	142-0491	142-0664	142-0033	141-0078	CCK			*
	142-0492	0-13953	VD76A	142-0492	142-0565	142-0033	141-0078	CCK			*
	142-0495	DD-10	DD-10	NA	NA	NA	145-0438	BF			*
	142-0531	DD-11R	DD-11R	142-0662	142-0557	142-0663	145-0438	BF			*
142-0635	142-0558	286-1515	DD12R	142-0663	142-0561	142-0560	145-0438	BF-Eng	A-E	101	965-0250
	142-0563	0-13948	VD65A	142-0635	142-0371	142-0033	145-0438	NHA, NHB		130	940-0403
	142-0564	0-13948	VD65A	142-0564	142-0371	142-0033	141-0078	CCK Tractor			927-2500
142-0637	142-0567	0-13964	VD78A	142-0637	142-0371	142-0033	141-0078	CCK-Tractor			927-2500
	142-0567	0-13964	VD78A	142-0637	142-0371	142-0033	141-0078	CCK Tractor			927-2500
	142-0567	0-13964	VD78A	142-0637	142-0371	142-0033	141-0078	CCK			*
142-0638	142-0568	286-1702	DD13	142-0660	142-0570	142-0571	145-0438	BG-Eng		102	965-0251
	142-0568	286-1702	DD13	142-0660	142-0570	142-0571	145-0438	BFAB		10	965-0223
	142-0577		VD79	F-10	142-0371	142-0033	141-0078	CCK			*
	142-0580		VD80	142-0580	142-0371	142-0033	141-0078	CCK			*
	142-0581		VD80	142-0653	142-0589	142-0033	141-0078	CCK			*
	142-0587	286-1717	DD16	142-0663	142-0592	142-0591	145-0438	BF-Eng	Begin F	101	965-0250
	142-0590	0-13953	VD76A	142-0590	142-0565	142-0033	141-0078	CCK			*
	142-0593		VD77	142-0654	142-0371	142-0033	141-0078	CCK			*
	142-0594	10-5239	VD81	142-0595	142-0601	142-0033	141-0078	CCK/CCKA			*
142-0665	142-0595	0-13949	VD81A	142-0595	142-0601	142-0033	141-0078	CCK, CCKA		110AC	927-2501
142-0642	142-0596	0-13967	VD82A	142-0665	142-0602	142-0033	145-0438	NH-Gen	L-N	44	940-0223
	142-0599	0-13967	VD82A	142-0642	142-0602	142-0033	145-0438	NH-Gen	L-N	44	940-0223
	142-0609			142-0609	142-0371	142-0033	141-0078	CCK-Gravelly			*
142-0660	142-0656	0-13935	DD13A	142-0660	142-0570	142-0571	145-0438	B43M		103	965-0254
142-0661	142-0657	0-13937A	DD14A	142-0661	142-0592	142-0591	145-0438	B48M		107	965-0255

Carburetor Kit Number	Carburetor Only Number	Vendor No.	Identifying No. or Mark	Replacement Part No.	Repair Kit	Gasket Kit	Flange Gasket	Model	Specs	Breakdown On Fiche Cards	Breakdown In Manuals
	143-0066	N-24605		146-0296	143-0081	143-0080	141-0078	LK	A-D	35	930-0221
	143-0068	N-24615		146-0297	143-0081	143-0080	141-0078	LK	A-D	35	930-0221
	143-0073	N-24635		NA	143-0081	143-0080	141-0078	LK			*
	143-0075	N-24645		146-0297	143-0081	143-0080	141-0078	MAJ		305	933-0220
	143-0075	N-24645		146-0297	143-0081	143-0080	141-0078	LK	A-D	35	930-0221
	143-0160	Carter		146-0295		143-0201	141-0078	MAJ		305	933-0220
	143-0163	N-33045		141-0762	143-0200	143-0201	154-0733	JB-Eng	A-Q	119	967-0254
	143-0163	N-33045		141-0762	143-0200	143-0201	154-0733	JB-Gen	A-Q	33	967-0223
	143-0189	N-33035		141-0882	143-0240	143-0201	154-0733	JA-Eng			*
	143-0191	N-33065		F-10	143-0240	143-0201	154-0733	JA-Eng			*
	143-0192	N-33075		141-0763	143-0200	143-0201	154-0733	JB-Gen	A-Q	33	967-0223
	143-0192	N-33075		141-0763	143-0200	143-0201	154-0733	JB-Eng	A-Q	119	967-0254
	143-0222	N-33055		141-0759	143-0201	143-0201	154-0733	JC-Gen	A-Q	33BB	967-0220
	143-0222	N-33055		141-0759	143-0201	143-0201	154-0733	JC-Eng	A-Q	119	967-0254
	143-0222	N-33055		141-0759	143-0241	143-0201	143-0281	RJC	A-Q	65	974-0220
	143-0223	N-33085		141-0756	143-0241	143-0201	154-0733	JC-Eng	A-Q	119	967-0254
	143-0226	Carter		141-0755	143-0241	143-0201	154-0733	JC-Eng	A-Q	119	967-0254
	143-0229	Carter		141-0758	143-0241	143-0201	154-0733	JC-Gen	A-Q	33BB	967-0220
	143-0229	Carter		141-0758	143-0241	143-0201	154-0733	JC-Eng	A-Q	119	967-0254
	143-0229	Carter		141-0758	143-0241	143-0201	154-0733	RJC-Gen	A-Q	65	974-0220
	143-0242	Carter		141-0764		143-0201	154-0733	JB-Gen	A-Q	33	967-0223
	143-0242	Carter		141-0764		143-0201	154-0733	JB-Eng	A-Q	119	967-0254
	143-0243	Carter		141-0757		143-0201	154-0733	JC-Gen	A-Q	33BB	967-0220
	143-0243	Carter		141-0757		143-0201	154-0733	JC-Eng	A-Q	119	967-0254
	143-0243	Carter		141-0757		143-0201	154-0733	RJC-Gen	A-Q	65	974-0220
	143-0275	N-37615		141-0763	143-0298	143-0201	154-0733	JB-Eng	A-Q	119	967-0254
	143-0276	N-37625		141-0762	143-0298	143-0201	154-0733	JB-Eng	A-Q	119	967-0254
	143-0278	Carter		141-0761	143-0298	143-0201	154-0733	JB-Gen	A-Q	33	967-0223
	143-0278	Carter		141-0761	143-0298	143-0201	154-0733	JB-Eng	A-Q	119	967-0254
	143-0279	Carter		141-0760	143-0298	143-0201	154-0733	JB-Gen	A-Q	33	967-0223
	143-0279	Carter		141-0760	143-0298	143-0201	154-0733	JB-Eng	A-Q	119	967-0254
	143-0289			141-0756	143-0241	143-0201	154-0733	JC-Eng	A-Q	119	967-0254
	143-0322		322	141-0774	143-0332	143-0201	141-0281	CCKB-Eng	G	111	927-0404
	143-0322		322	141-0774	143-0332	143-0201	141-0281	CCKB-Gen	A	216	927-0223
	143-0323		323	141-0792	143-0332	143-0201	141-0281	CCKB-Gen	A	216	927-0223
	143-0323		323	141-0797	143-0332	143-0201	141-0281	MCCK-Gen	A-G	307	927-0221
	143-0336	N-42145		NA	NA	NA	141-0281	CCKB			*
	143-0337	N-42155		141-0787	NA	NA	141-0281	CCKB			*
	143-0338	Carter	322	F-10	143-0332	143-0201	141-0281	CCKB-Gen	A	216	927-0223
	143-0338	Carter	322	F-10	143-0332	143-0201	141-0281	CCKB-Eng	G	111	927-0404
	143-0339	Carter	323	F-10	143-0322	143-0201	141-0281	CCKB-Gen	A	216	927-0223
	143-0339	Carter	323	F-10	143-0322	143-0201	141-0281	CCKB-Eng	G	111	927-0404
	143-0340	Carter	322	141-0890		143-0201	141-0281	CCKB-Gen	A	216	927-0223
	146-0091	LMG187	LMG187	146-0295			141-0078	LK	Begin E	35	930-0221
146-0127	146-0091	LMG187	LMG187	NFS			141-0078	LK	A-D	35	930-0221

Carburetor Kit Number	Carburetor Only Number	Vendor No.	Identifying No. or Mark	Replacement Part No.	Repair Kit	Gasket Kit	Flange Gasket	Model	Specs	Breakdown On Fiche Cards	Breakdown In Manuals
	146-0091	LMB187	LMG187	146-0295			141-0078	MAJ		305	933-0220
146-0295	146-0091	LMB187	LMG187	146-0295			141-0078	LK	Begin E	35	930-0221
	146-0091	LMG187	LMG187	146-0295			141-0078	MAJ		305	933-0220
146-0130	146-0092	LMG188	LMG188	146-0296	146-0123		141-0078	LK	A-D	35	930-0221
146-0296	146-0092	LMG188	LMG188	146-0296	146-0123		141-0078	LK	Begin E	35	930-0221
146-0131	146-0093	LMG189	LMG189	146-0297	146-0123		141-0078	LK	A-D	35	930-0221
146-0297	146-0093	LMG189	LMG189	146-0297	146-0123		141-0078	LK	Begin E	35	930-0221
	146-0093	LMG189	LMG189	146-0297	146-0123	146-0124	141-0078	MAJ	Begin M	305	933-0220
146-0128	146-0094	LMG190	LMG190	146-0296	146-0123		141-0078	LK	A-D	35	930-0221
	146-0094	LMG190	LMG190	146-0296	146-0123		141-0078	LK	Begin E	35	930-0221
146-0129	146-0095	LMG191	LMG191	146-0299	146-0123		141-0078	LK	A-D	35	930-0221
146-0299	146-0095	LMG191	LMG191	146-0299	146-0123		141-0078	LK	Begin E	35	930-0221
	146-0140	LMG-193	146-0140	146-0305	146-0149	146-0124	141-0078	AJ, AK, LK			*
	146-0168	LME-25	146-0168	NA	NA	NA					*
	146-0169	LMB-181		146-0303		146-0185	141-0078	BF Power Dr		207	965-0315
	146-0188	LMB-185		146-0303	146-0180	146-0185	141-0078	NH-Power Dr		229	940-0315
146-0303	146-0188	LMB-185		146-0303	146-0180	146-0185	141-0078	NH-Power Dr		229	940-0315
	146-0191	LMG-202	146-0191	191-0304	146-0149	146-0124	141-0281	NH, NHC			*
	146-0194	LMG-203	146-0194	NA		146-0124	141-0078	AJ			*
	146-0197	LMG208	LMG208	146-0305	146-0149	146-0124	141-0078	LK-RV		222	930-0220
146-0305	146-0197	LMG208	LMG208	146-0305	146-0149	146-0124	141-0078	LK-RV		222	930-0220
	146-0199	LUA-1	146-0199	NA		146-0220	141-0281	NHC			*
146-0306	146-0200	LUA5	LUA5	146-0497	146-0292	146-0220	154-0733	NHC/NHCV Eng		131	940-0251
	146-0201	LMG-214	146-0201	NA	146-0149	146-0124	141-0281				*
146-0307	146-0202	LUA3	LUA3	146-0419	146-0290	146-0220	154-0733	NH-RV	J	228	940-0222
146-0308	146-0230	LUA7	LUA7	146-0419	146-0290	146-0220	154-0733	BFA-RV		209	965-0222
	146-0230	LUA7	LUA7	146-0419	146-0290	146-0220	154-0733	BFA-Aux		205	965-0224
146-0308	146-0230	LUA7	LUA7	146-0419	146-0290	146-0220	154-0733	BGA-RV		210	965-0221
146-0308	146-0230	LUA7	LUA7	146-0419	146-0290	146-0220	154-0733	NH-Aux		228A	940-0224
146-0308	146-0230	LUA7	LUA7	146-0419	146-0290	146-0220	154-0733	NH-RV	K-P	228	940-0222
	146-0231	LUA-6	146-0231	NA	146-0292	146-0220	154-0733	BG			*
146-0309	146-0232	LUA2	LUA2	146-0495	146-0292	146-0220	154-0733	NHC/NHCV Eng		131	940-0251
	146-0232	LUA2	LUA2	146-0495	146-0292	146-0220	154-0733	N52M	A	132	940-0252
	146-0233	LUA-4	146-0233	NA	146-0290	146-0220	141-0281	NH			*
	146-0249	LMG-221	146-0249	NA	146-0149	146-0124	141-0078	AJ			*
146-0311	146-0254	LUA8	LUA8	146-0495	146-0292		154-0733	B48M		107	965-0255
146-0311	146-0254	LUA8	LUA8	146-0495	146-0292		154-0733	B48G	B-C	105	965-0256
146-0312	146-0271	LUA9	LUA9	146-0497	146-0292	146-0220	154-0733	T260	A-D	145	965-0260
146-0398	146-0271	LUA9	LUA9	146-0497	146-0292	146-0220	154-0733	T260	E	145	965-0260
146-0312	146-0271	LUA9	LUA9	146-0497	146-0292	146-0220	154-0733	N52M	Begin B	132	940-0252
146-0312	146-0271	LUA9	LUA9	146-0497	146-0292	146-0220	154-0733	NHC/NHCV Eng		131	940-0251
146-0313	146-0272	LUA10	LUA10	146-0439	146-0290	146-0220	141-0858	MCCK	Begin H	308	927-0224
146-0314	146-0273	LUA11	LUA11	146-0495	146-0292	146-0220	141-0858	CCK-CCKA		110AB	927-1120
	146-0284	LUA-12	146-0284	146-0284	146-0291	146-0220	141-0281	NHC			*
146-0404	146-0288	NT6100	146-0410	146-0404	146-0356		154-0733	BFA		209AA	965-0262

Carburetor Kit Number	Carburetor Only Number	Vendor No.	Identifying No. or Mark	Replacement Part No.	Repair Kit	Gasket Kit	Flange Gasket	Model	Specs	Breakdown On Fiche Cards	Breakdown In Manuals
	146-0293	LUA-13	146-0293	146-0440	146-0290	146-0220	154-0733	NG, BF			*
	146-0294	LUA-14	146-0294	146-0495	146-0291	146-0220	154-0733	B43			*
146-0353	146-0350	LUA15	LUA15	146-0362			154-0733	BGAL		212	965-0227
146-0354	146-0351	LUA16	LUA16	F-10			154-0733	NHL		240	940-0225
146-0381	146-0375		146-0375	146-0497	146-0356		154-0733	B43G	B-C	102K	965-0258
146-0381	146-0375		146-0375	146-0496	146-0356		154-0733	B48M		107	965-0255
146-0381	146-0375		146-0375	146-0496	146-0356		154-0733	B48G	D-E	105	965-0256
	146-0383	LMG225		146-0383	146-0253	146-0124	141-0078	MAJB		306	933-0221
	146-0384		146-0384	146-0496	146-0356		154-0733	B48G	Begin F	105	965-0256
	146-0387		146-0387	146-0495	146-0356		154-0733	B43G	Begin D	102K	965-0258
	146-0388	LMG-221	146-0388	146-0495	146-0253	146-0124	141-0078	AJ			*
146-0389	146-0403		146-0388	146-0495	146-0356		154-0733	B43E		102A	965-0252
146-0419	146-0410	NT6100	146-0410	146-0419	146-0356		154-0733	BFA-RV		209	965-0222
146-0419	146-0410	NT6100	146-0410	146-0419	146-0356		154-0733	BFA		209AA	965-0262
146-0419	146-0410	NT6100	146-0410	146-0419	146-0356		154-0733	NH-Aux		228A	940-0224
146-0419	146-0410	NT6100	146-0410	146-0419	146-0356		154-0733	BGA-RV		210	965-0221
146-0419	146-0410	NT6100	146-0410	146-0419	146-0356		154-0733	NH-RV	Begin P	228	940-0222
146-0428	146-0412		146-0412	146-0495	146-0500		154-0733	B43E		102A	965-0252
146-0428	146-0412		146-0412	146-0495	146-0500		154-0733	P216, P218		134	965-0263
146-0428	146-0412		146-0412	146-0495	146-0500		154-0733	NHC/NHCV Eng		131	940-0251
146-0429	146-0413		146-0413	146-0495	146-0500		154-0733	B43G	Begin D	102K	965-0258
146-0430	146-0414		146-0414	146-0496	146-0500		154-0733	B48G	Begin F	105	965-0256
146-0430	146-0414		146-0414	146-0496	146-0500		154-0733	P220		134	965-0263
146-0431	146-0415		146-0415	146-0497			154-0733	NHC/NHCV Eng		131	940-0251
146-0431	146-0415		146-0415	146-0497			154-0733	P224	B	136	965-0266
146-0439	146-0421		146-0421	146-0439	146-0356		141-0858	MCCK	Begin H	308	927-0224
146-0440	146-0422		146-0422	146-0440	146-0356		154-0733	BFA		209AA	965-0262
146-0440	146-0422		146-0422	146-0440	146-0356		154-0733	NH-Gen		44	940-0223
146-0455	146-0443		146-0443	146-0455	146-0457		141-0950	BGE		213E	965-0231
146-0455	146-0443		146-0443	146-0455	146-0457		141-0950	BGM	A	214	965-0267
146-0455	146-0443		146-0443	146-0455	146-0457		141-0950	BGD		212G	965-0228
146-0455	146-0443		146-0443	146-0455	146-0457		141-0950	MCE		309	927-0225
146-0455	146-0443		146-0443	146-0455	146-0457		140-0921	MME		213	965-0231
146-0456	146-0444		146-0444	146-0456	146-0457		141-0950	NHD		234	940-0229
146-0456	146-0444		146-0444	146-0456	146-0457		141-0950	NHE		236	940-0227
146-0456	146-0444		146-0444	146-0456	146-0457		141-0281	MCE		309	927-0225
146-0456	146-0444		146-0444	146-0456	146-0457		141-0281	NHM	A	245	940-0230
	146-0478		146-0478	146-0495	146-0500		154-0733	B43E Lincoln		102AA	965-0259
146-0495	146-0478		146-0478	146-0495	146-0500		154-0733	P216, P218		134	965-0263
146-0495	146-0478		146-0478	146-0495	146-0500		154-0733	P216V/P218V		137	965-0265
146-0495	146-0478		146-0478	146-0495	146-0500		154-0733	B48G	Begin F	105	965-0256
146-0495	146-0478		146-0478	146-0495	146-0500		154-0733	NHC/NHCV Eng		131	940-0251
146-0496	146-0479		146-0479	146-0496	146-0500		154-0733	P220		134	965-0263
146-0496	146-0479		146-0479	146-0496	146-0500		154-0733	B48G	Begin F	105	965-0256
146-0496	146-0479		146-0479	146-0496	146-0500		154-0733	P220V		137	965-0265

Carburetor Kit Number	Carburetor Only Number	Vendor No.	Identifying No. or Mark	Replacement Part No.	Repair Kit	Gasket Kit	Flange Gasket	Model	Specs	Breakdown On Fiche Cards	Breakdown In Manuals
146-0497	146-0480		146-0480	146-0497	146-0500		154-0733	NH52M	Begin B	132	940-0252
146-0497	146-0480		146-0480	146-0497	146-0500		154-0733	P224	Begin C	136	965-0266
146-0497	146-0480		146-0480	146-0497	146-0500		154-0733	T260	Begin F	145	965-0260
146-0497	146-0480		146-0480	146-0497	146-0500		154-0733	NHC/NHCV Eng		131	940-0251
	146-0506		146-0506	146-0506		146-0499	154-0733	P216, 218, 220		134	965-0263
	146-0518			146-0518			146-0486	E125V	A		
	146-0526			146-0526			146-0486	E125V	Begin B		
	146-0527		146-0527	146-0527	146-0457		141-0950	NHM	Begin B	245	940-0230
	146-0528		146-0528	146-0528	146-0457		141-0950	BGM	Begin B	214	965-0267
	146-0562		146-0562	146-0562			154-0733	P216, 218, 220			
	185-2492			185-2492			185-2650	EGH		32BA	981-0244
	185-2507			185-2507			185-2951	EGH		32BA-1	981-0247
	185-2507			185-2507			185-2951	EGH		32BA	981-0242
	185-2509			185-2509			185-2863	EGH		32BA	981-0243
	185-2535			185-2535			185-2951	EGS		32BB	981-0241
	185-3127			185-3127	185-4125		185-3315	KH		34	981-0226
	185-3163			185-3163	185-4128		185-3479	KN	A	34B	981-0230
	185-3215			185-3215	185-4126		185-2951	KJ		34	981-0227
	185-3599			185-3599	185-4127		185-3420	KM	A	34A	981-0229
	185-3713			185-3713	185-4126		185-2951	KK	A	34A	981-0228
	185-3713			185-3713	185-4127		185-2951	KK	Begin B	34E	981-0234
	185-3815			185-3815	185-4129		185-3770	KP	B	34F	981-0237
	185-4206			185-4206			185-4165	KQ		34C	981-0232
	185-4479			185-4479			185-2951	KM	B	34F	981-0235
	185-4628			185-4628			185-3770	KN	B	34F	981-0236
	185-4628			185-4628			185-3770	KP	A	34B	981-0231
	185-4776			185-4776			185-4735	KF			
	185-4902			185-4902			185-4165	KQ		34C	981-0232
	185-5131			146-0540			185-5133	KV		219	981-0238
	(141-0744)	Bendix									