



Parts Catalog

Cummins **Onan**

Performance you rely on.™



Inverter-Chargers

HJBAA

Introduction

This parts catalog applies to the standard Inverter–Chargers listed below. Parts are arranged in groups of related items and each illustrated part is defined by a reference number corresponding to the same reference number in the parts list. Parts illustrations are typical. Using the model and specification number from your Inverter–Charger name-plate, select parts that apply to your model. Right and left sides are determined by facing the Inverter–Charger end (front) of unit. Wiring diagram part number 620–0266.

Inverter / Charger Data Table

Identification Model	Continuous Watt Output	Max Output DC Amps	Shunt	Circuit Breaker
1.5HJBAA 3173B/D	1500	75	Yes	15/15
1.5HJBAA 3187B	1500	75	Yes	None
1.5HJBAA 4360D	1500	75	No	None
2.0HJBAA 3174B/D	2000	100	Yes	15/15
2.0HJBAA 3191B/C/D	2000	100	No	None
2.0HJBAA 3192B/C/D	2000	100	Yes	None
2.0HJBAA 3195B/D	2000	100	No	15/15
*2.0HJBAA 3518B	2000	100	Yes	None
2.0HJBAA 4790D	2000	100	No	20/20
2.5HJBAA 3175B/D	2500	120	Yes	15/20
2.5HJBAA 3198B/C/D	2500	120	Yes	None
*2.5HJBAA 3199B	2500	120	Yes	None
3.0HJBAA 3202B/C/D	3000	140	Yes	None
*3.0HJBAA 3203B	3000	140	Yes	None

+ – The specification number denotes customer requested options or deviations from a standard model. The specification letter advances (A, to B, to C, etc.) with major manufacturing changes.

* – These units come with dual input features.

Index

Accessories, **5**

Block, Terminal, **3**

Breaker, Circuit, **3**

Control, Remote, **5**

Cover, Access, **3**

Cover, Terminal Block, **3**

Enclosure (Chassis), **3**

Kit, Fan, **3**

Kit, Fuse Holder (200 Amp), **4**

Kit, Fuse Holder (300 Amp), **4**

Kit, Fuse Holder (400 Amp), **4**

Kit, Harness (Keypad, 25'), **4**

Kit, Harness (Start / Stop), **4**

Kit, Sensor (Battery Temp), **4**

Kit, Terminal Housing (Cover), **3**

Label, Ground (No Symbol), **5**

Label, Information, **5**

Label, Instruction (Ground), **5**

Label, Instruction (Wiring), **5**

Label, Warning, **3, 5**

Label, Warning (Main), **5**

Label–Ground, **3**

Label–Information, **3**

Label–Information (Ground), **3**

Label–Information (Wiring), **3**

Label–Warning, **3**

Labels, **5**

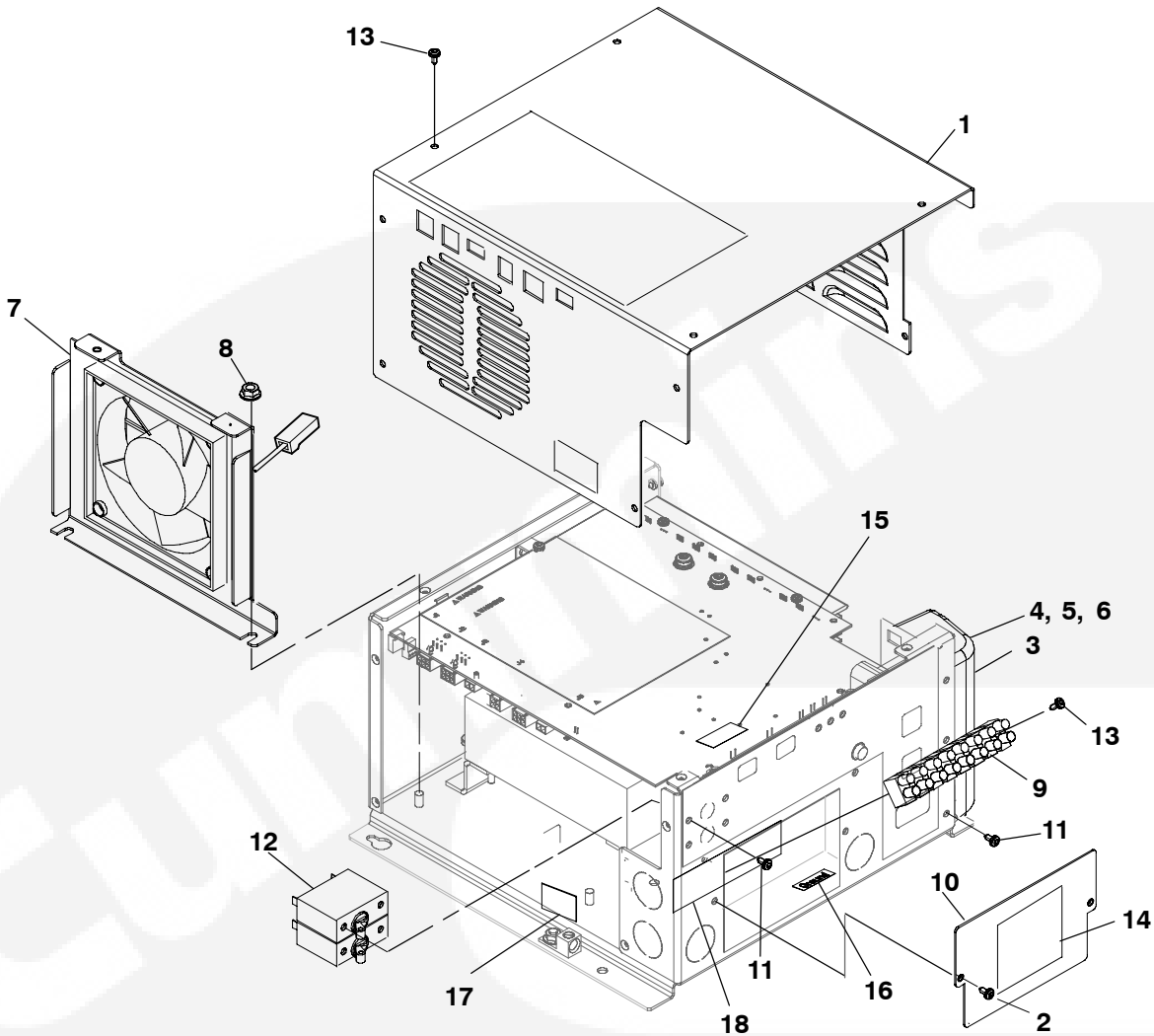
Panel, Remote Control, **5**

Sensor, Temperature (Battery), **4**

Sensor–Temp (Battery), **3**

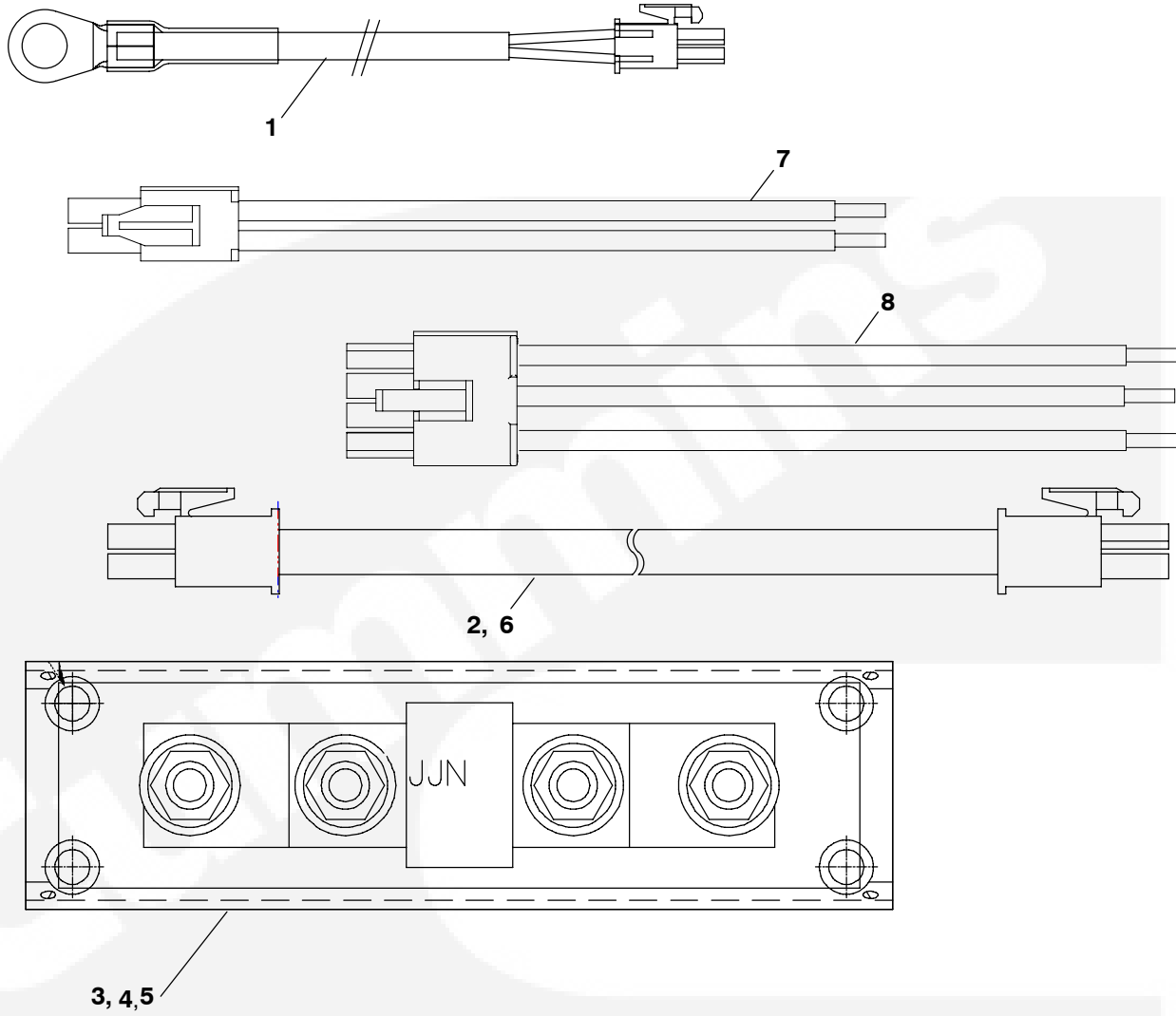


Inverter Parts



REF NO.	PART NO.	QTY. USED	PART DESCRIPTION	REF NO.	PART NO.	QTY. USED	PART DESCRIPTION
	541-0982	1	Kit, Installation (Cover) (Includes Parts Marked *)				Allowed)
	98-8071	1	*Label, Warning		320-2229	2	15 Amp
1	405-7705-02	1	Enclosure (Chassis)		320-2230	2	20 Amp
2	815-0862	3	*Screw, Pan Head Torx (M4 x 10mm)	13	823-0002-02	2	Screw, Pan Head Thread Form Torx (M4 x .7 x 25mm)
3	319-4741	1	*Cover, Terminal Block	14			Label, Logo
4	862-0003	3	*Nut, Hex (3/8")		98-8070-01	1	3k
5	850-0050	3	*Washer, Split Lock (3/8")		98-8070-02	1	2.5k
6	526-0029	3	*Washer, Flat (1/2")		98-8070-03	1	2.0k
7	541-0979		Kit, Fan (Includes Bracket and Fan)		98-8070-04	1	1.5k
8	870-2054	5	Nut, Flanged Locking (M6)	15	98-8126-01	1	Label-Information
9	332-3846	1	Block, Terminal (16 Places)	16	98-6476	1	Label-Ground
10	405-7207-02	1	Cover, Access (Wiring Space)	17	98-8075	1	Label-Information (Ground)
11	819-1158	4	Screw, Pan Head Mach Xrec	18	98-8074	1	Label-Information (Wiring)
12			Breaker, Circuit (Any Combination of Breakers	19	193-0530	3	*Sensor-Temp (Battery) (not shown)
				20	98-8071	3	*Label-Warning (not shown)

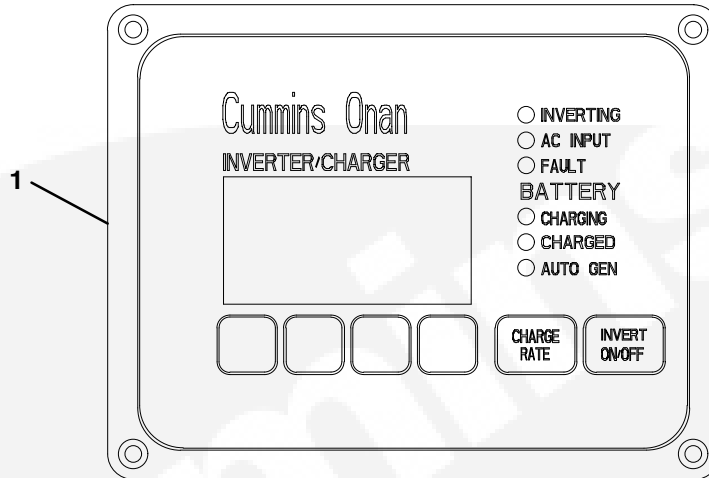
Harnesses



REF NO.	PART NO.	QTY. USED	PART DESCRIPTION	REF NO.	PART NO.	QTY. USED	PART DESCRIPTION
	541-0970	1	Kit, Service (Includes Removal Tool and Harness)	3	541-0924	1	Kit, Fuse Holder (200 Amp)
	541-0918		Kit, Sensor (Battery Temp) (Includes Parts Marked *)	4	541-0926	1	Kit, Fuse Holder (300 Amp)
	541-0919	1	Kit, Harness (Keypad, 25') (Includes Parts Marked >)	5	541-0927	1	Kit, Fuse Holder (400 Amp)
	541-0932	1	Kit, Harness (Keypad, 50') (Includes Parts Marked #)	6	338-4281	1	#50' Harness
	541-0969	1	Kit, Harness (Start / Stop) (Includes Parts Marked %)	7	338-4350	1	% Pigtail, 6"
	541-1182	1	Kit, Harness (EXT Wake) (Includes Parts Marked ~)	8	338-4557	1	~ Pigtail, 6"
1	193-0530	1	*Sensor, Temperature (Battery)				
2	338-4280	1	>25' Harness				

* - Parts Included in Sensor Kit (Battery Temp).
 > - Parts Included in Harness Kit (Keypad, 25').
 # - Parts Included in Harness Kit (Keypad, 50').
 % - Parts Included in Control Harness Kit (Stop/Start).
 ~ - Parts Included in Harness Kit (EXT Wake).

Remote Control Panel



REF NO.	PART NO.	QTY. USED	PART DESCRIPTION
	541-1183	1	Kit, Remote Control (Includes Remote Control)
1	300-6019	1	Control, Remote

Labels, Accessories

REF NO.	PART NO.	QTY USED	PART DESCRIPTION	REF NO.	PART NO.	QTY USED	PART DESCRIPTION
98-8074		1	Label, Instruction (Wiring)	98-8119		1	Label, Warning (Main)
98-8126-01		1	Label, Information (15/15 Amp Rating)	541-0977		1	Kit, Bracket (Switch Cover)
98-8126-02		1	Label, Information (15/20 Amp Rating)	541-0928		1	Fuse (200 Amp)
98-8126-03		1	Label, Information (20/20 Amp Rating)	541-0929		1	Fuse (300 Amp)
98-6476		1	Label, Ground (No Symbol)	541-0930		1	Fuse (400 Amp)
98-8075		1	Label, Instruction (Ground)	98-8071		1	*Label, Warning

* - Included in Installaton Kit , See Page 3.



Numerical Index

<u>Part No.</u>	<u>Page</u>	<u>Part No.</u>	<u>Page</u>	<u>Part No.</u>	<u>Page</u>	<u>Part No.</u>	<u>Page</u>
098-6476,	5	541-1182,	4				
098-8070-01,	3	541-1183,	5				
098-8070-02,	3	815-0862,	3				
098-8070-03,	3	819-1158,	3				
098-8070-04,	3	823-0002-02,	3				
098-8074,	5	850-0050,	3				
098-8075,	5	862-0003,	3				
098-8119,	5	870-2054,	3				
098-8126-01,	5	98-6476,	3				
098-8126-02,	5	98-8071,	3, 5				
098-8126-03,	5	98-8074,	3				
193-0530,	3, 4	98-8075,	3				
300-6019,	5	98-8126-01,	3				
319-4741,	3						
320-2229,	3						
320-2230,	3						
332-3846,	3						
338-4280,	4						
338-4281,	4						
338-4350,	4						
338-4557,	4						
405-7207-02,	3						
405-7705-02,	3						
526-0029,	3						
541-0918,	4						
541-0919,	4						
541-0924,	4						
541-0926,	4						
541-0927,	4						
541-0928,	5						
541-0929,	5						
541-0930,	5						
541-0932,	4						
541-0969,	4						
541-0970,	4						
541-0977,	5						
541-0979,	3						
541-0982,	3						



Cummins



Onan®

Cummins Power Generation
1400 73rd Avenue N.E.
Minneapolis, MN 55432
763-574-5000
Fax: 763-528-7229

Cummins and Onan are registered trademarks of Cummins Inc.