

The following catalog has gaps in its page numbers, or doesn't have any numbers. We have chosen to leave the page numbering in the order that Acrobat assigns it.



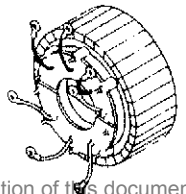
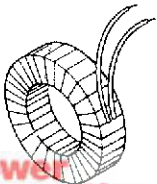
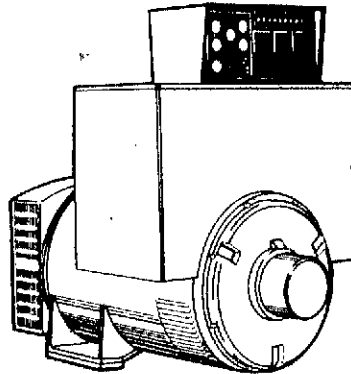
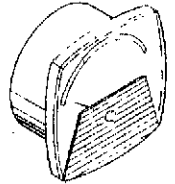
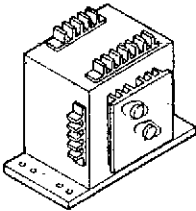
**Cummins  
Power  
Systems**

**Parts Catalog**

**KTA50 Series**

**KTTA50 Series**

**PMG Generator Set**



Redistribution or publication of this document by any means, is strictly prohibited.

## Index

	GRID		GRID
Adapter, Generator	B17, B19	Harness, Engine	A8
Alarm Module	C19	Harness, Engine Control	C10, C12
Alternator	A6	Harness, Generator Control	C14, C16
Ammeter - AC	C6, C8	Heater, Generator	B13, B15
Ammeter - DC	C10, C12	Heater, Water	A10, A12
Belt, Drive	A6	Horn, Electrical	C19
Board, AutoStart	C17, C18	Indicator, Air Service	A8
Board, LED Lights	C6	Meter, Hour	C10, C12
Cap. Radiator	A6	Regulator, Voltage	B13, B15
Cleaner, Air - Extra Heavy Duty	A8	Relay	C17, C18
Cleaner, Air - Heavy Duty	A8	Rotor, Exciter	B17, B19
Cleaner, Air - Indoor	A8	Rotor, Generator	B17, B19
Cleaner, Air - Outdoor	A8	Sender, Pressure - Oil	A8
Contact, Heater	A12	Sender, Temperature	A8
Control, Engine	C10, C12	Starter	A6
Control, Generator Set	C4	Stator, Exciter	B13, B15
Control, Generator	C6, C8	Stator, Generator	B13, B15
Control, Overspeed	C17, C18	Switch, Heater Control	A10
Controller, Governor	C17, C18	Switch, Magnetic - Starter	A6
Disk, Drive	B17, B19	Switch, Pressure - Oil	A8
Element, Air Cleaner	A8	Switch, Selector	O6, C8
Element, Oil Filter	A6	Switch, Temperature	A8
Exciter, Permanent Magnet	B20	Tachometer	C10, C12
Filter, Fuel	A8	Transducer, Temperature - Water	A6
Filter, Oil	A8	Transducer, Watt	C18
Filter, Water	A6	Transducer, Pressure - Oil	A6
Gauge, Pressure - Oil	C10, C12	Transformer, Current	C4
Gauge, Temperature	C10, C12	Voltmeter	C6, C8, C10, C12
Generators	B11	Wattmeter	C6, C8
Generator Size Table	B8, B9		
Guard, Belt	A6		

## Introduction

This Parts Catalog applies to the Generator Sets Listed Below. The illustrations are arranged in groups of related items, and each part or assembly is identified by a Reference Number. All parts illustrated are typical, and unless otherwise mentioned in the description column the parts are interchangeable between models. Dual Part No. may be applicable; CPS are Cummins Power Systems assigned Part Numbers and GEC are the Cummins Engine Company assigned Part Numbers.

These typical illustrations are subject to change and reflect only the latest replacement parts arrangement. The Right and Left sides of the Generator Set are determined by FACING the FRONT of the Set (Engine Radiator End)

### Set Data Table

ENGINE ID. No.	GEN SET ID No	RPM RATING	BATTERY VOLTAGE
Note 1. KTA50-G*#	Note 2 xxxKTA@ - \$	1800 RPM/ 1500 RPM	24 VDC
KTTA50-G*#	xxxKTTA@ - \$	1800 RPM/ 1500 RPM	24 VDC

Note 1 \* - Letter S for Standby, Letter C for Continuous Duty applications  
 Note:1 # - Number 1 thru 9 used to denote size variations  
 Note 2 x - Numbers used to denote kW ratings, eg 230 means 230,000 watt set  
 Note 2 @ - Number used to denote size variations.  
 NOTE:2 \$ - Numbers and a letter used to provide configuration identification

### Electrical Data Table

LOW Y	VOLTAGE		HERTZ	WIRE	PHASE	NOTES
		HIGH Y				
190/110		380/219	60	12	3	
208/120		416/220	60	12	3	
220/127		440/254	60	12	3	
230/133		460/266	60	12	3	
240/139		480/277	60	12	3	
190/110		380/219	50	12	3	
200/115		400/231	50	12	3	
208/120		416/240	50	12	3	


### Engine Replacement Parts

The External Engine Components added or modified during the Generator Set Assembly are most General Maintenance Items are identified in this Parts Catalog. For Internal Engine Parts and Components not covered herein; refer to the applicable Cummins Engine G Drive Parts Catalog.

## General Information

For parts or service, contact the distributor from whom you purchased this equipment or refer to the nearest Authorized Cummins Distributor.

To avoid errors or delays in filling your parts order, always give the full MODEL, SERIAL and ID No. from the nameplate.

	<b>AC Generator Set</b>		
	Model _____		
kw	kva	pf	phase
voltage	amps		
duty	overload		
rpm	hz		
class of insulation	pmg voltage		
field amp max	field voltage max		
generator model no.			
voltage regulator model no.			
ID no.			
generator set serial no.			
BS5000		NEMA	

For handy reference, insert "YOUR" nameplate information in the spaces above.

### ▲WARNING

TAKE ALL NECESSARY PRECAUTIONS WHEN CHECKING OR CHANGING ENGINE OIL NOT TO INGEST, BREATHE THE FUMES OR CONTACT THE OIL. USED ENGINE OILS HAVE BEEN IDENTIFIED BY FEDERAL AND SOME STATE AGENCIES AS CAUSING CANCER.

### ▲WARNING

TAKE ALL NECESSARY PRECAUTIONS WHEN HANDLING ENGINE GASKETS. DO NOT INGEST, BREATHE, OR CONTACT DUST FROM GASKETS. USE ADEQUATE VENTILATION AND WEAR PROTECTIVE GLOVES, MASK AND CLOTHING. ASBESTOS HAS BEEN IDENTIFIED BY FEDERAL AND SOME STATE AGENCIES AS CAUSING CANCER.

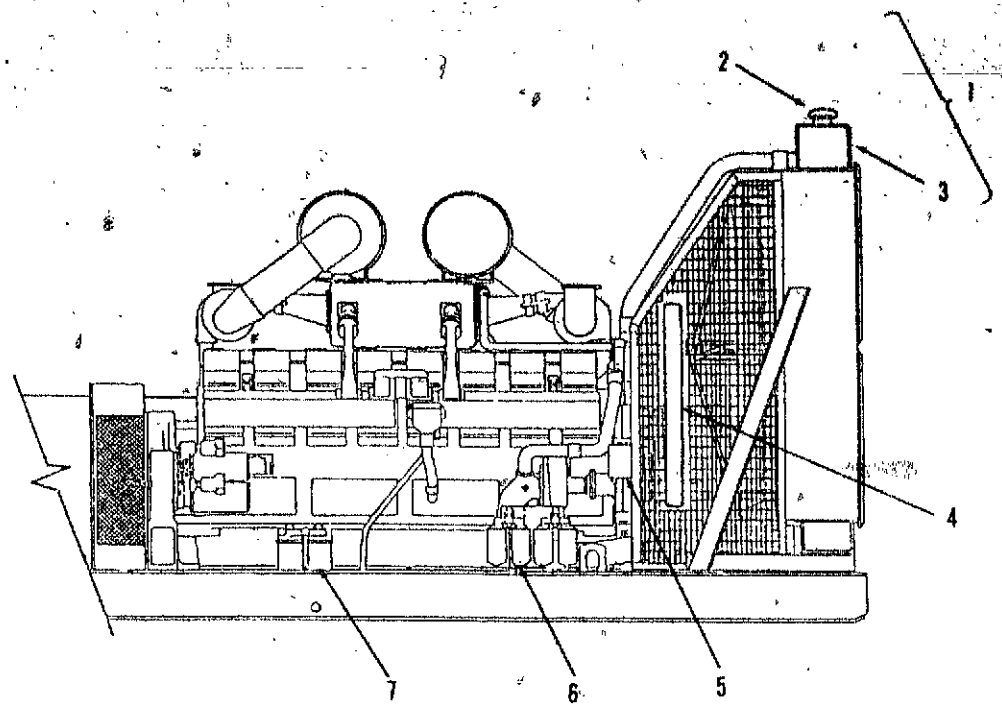


**Power  
Generation**

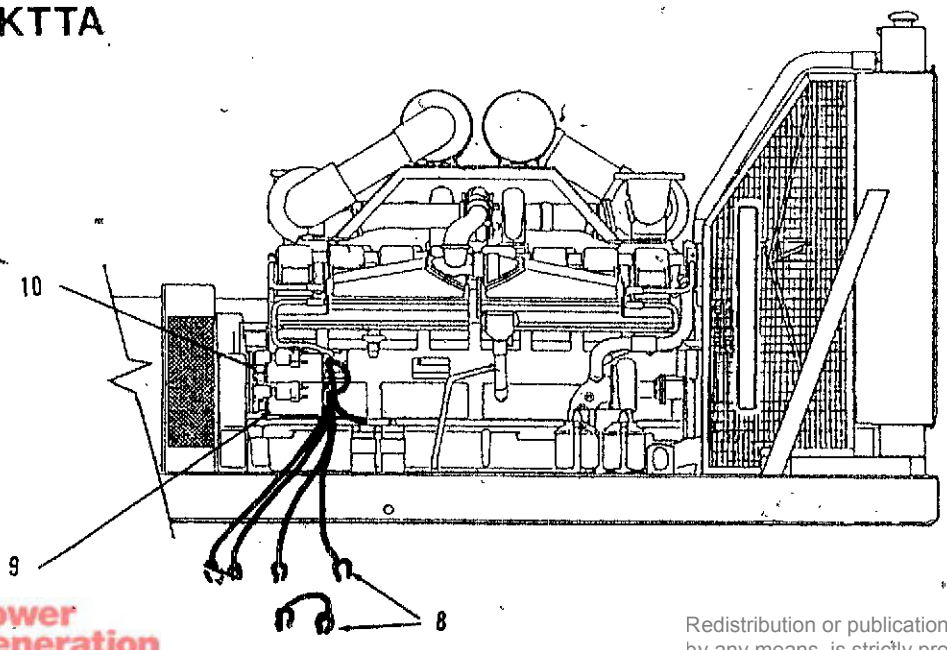
or publication of this document by any means, is strictly prohibited.

External Engine Components  
Left Side

KTA



KTTA



## External Engine Components Left Side

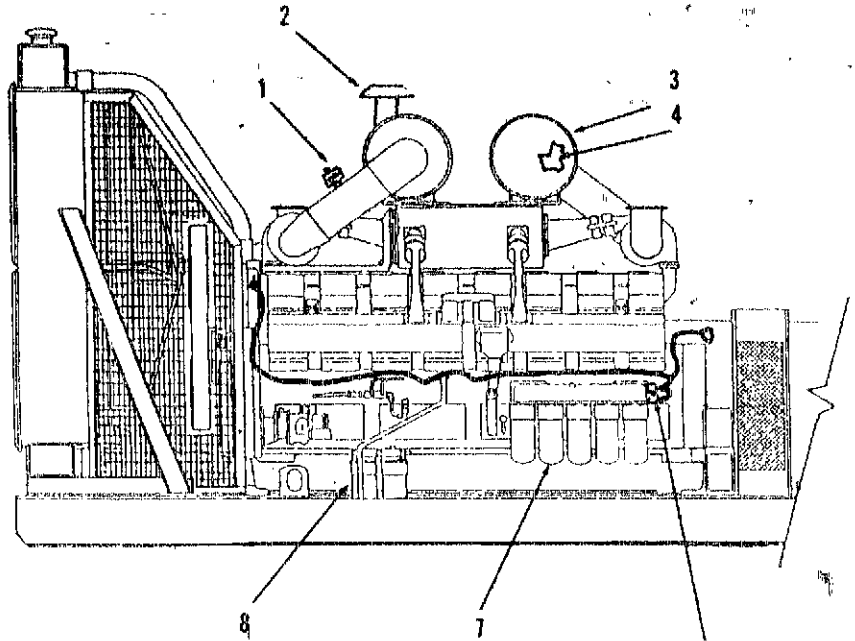
REF NO.	OPS PART NO.	CEC PART NO.	QTY USED	PART DESCRIPTION
1	Note 1 Note 2  None Built		1	Cooling System - Radiator Spec A & B & D Spec C KTA50G1, G2 (Bearward# 53071A-4PA) KTA50G3, G4 KTTA50G1 (Bearward# 53071-5PA)
2	130-0523 130-2981 130-3395		1	Cap. Radiator 7 PSI (For 2" Fill Tube) 7 PSI (For 3" Fill Tube) 10 PSI (For 2" Fill Tube)
3			1	Radiator (Includes Front Guards, Excludes Cap) Spec A & B & D Standard Cooling 40°C/100°F KTA50G1 with Dry Manifold KTA50G1 with Wet Manifold KTA50G2 with Dry or Wet Manifold KTA50G3 & G4 Dry Manifold (No Wet Manifold Application) KTTA50G with Dry Manifold (No Wet Manifold Application) Hi Ambient Cooling 50°C/125°F KTA50G1 with Dry or Wet Manifold KTA50G2 with Dry or Wet Manifold KTA50G3 & G4 Dry Manifold (No Wet Manifold Application) KTTA50G with Dry Manifold (No Wet Manifold Application) Spec C Standard or Hi Ambient Cooling KTA50G1 with Dry Manifold KTA50G2 with Dry Manifold KTA50G3 & G4 with Dry Manifold KTTA50G with Dry Manifold
	130-3405 130-3405 N/A 130-3406	3050213 3050212 3050212 3050212 3050212 3050212 3050212 3050212		
4			1	Belt, Drive (Fan) Spec A & B & D All Models Spec C All Models
		3003467 3003341		
5	191-1846-01 130-3317-01 511-0163	3016627 201986 3040283	1 1 2	Charging System Components Alternator (35 Amp, 24 VDC) Pulley, Drive Belt, Drive
6	Note 3 130-3538 130-3541	3318201 3318318	4	Filter, Water - W/Corrosion Inhibiting Chemical DCA4 Service for 90&up Gal Cooling Systems Pre-Charging for 90 & up Gal Cooling Systems
7	122-0526	3313283	2	Filter, Oil - Bypass
8	416-0473 416-0444 416-0680		2 4 3	Cables & Leads Cable, Battery - Jumper Cable, Battery (44" Lg) Lead, Electrical
9		3010125	2	Starter, 24 VDC
10	307-2621-02	3050692	1	Switch, Magnetic

**NOTES:**

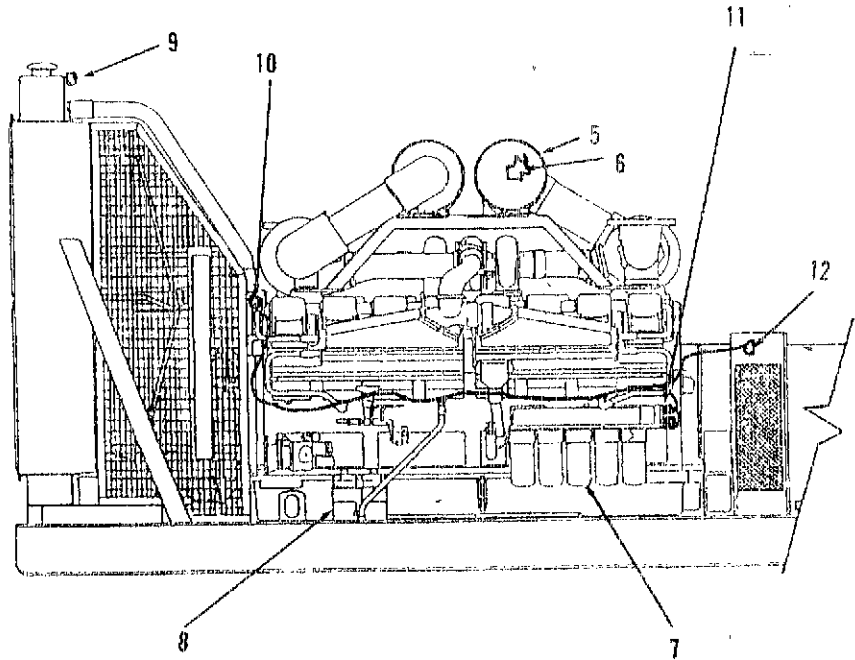
- Spec A & B & D Cooling Systems Assembled at Cummins Engine Company. For replacement components refer to the applicable Engine G-Drive Parts Manuals
- Spec C Cooling Systems Installed at Cummins Power System Facilities and is Supplied by Bearward. Consult with Bearward for additional replacement components.  

BEARWARD ENGINEERING LTD	USA Office: BEARWARD RADIATOR
Main Road, Far Cotton	Route 22 Box 187
Northampton, England NN4 9HU	Fleetwood, PA 19522
	215-944-6017
- Replacement cartridges recommend and should be used in lieu of the Original Engine Factory Installed Item which contains a Pre-Charge amount of DCA or DCA4 Chemical. Replacement with Pre-charge Cartridge may overload the Cooling System and cause cooling system problems.

# External Engine Components Right Side



K'



K'



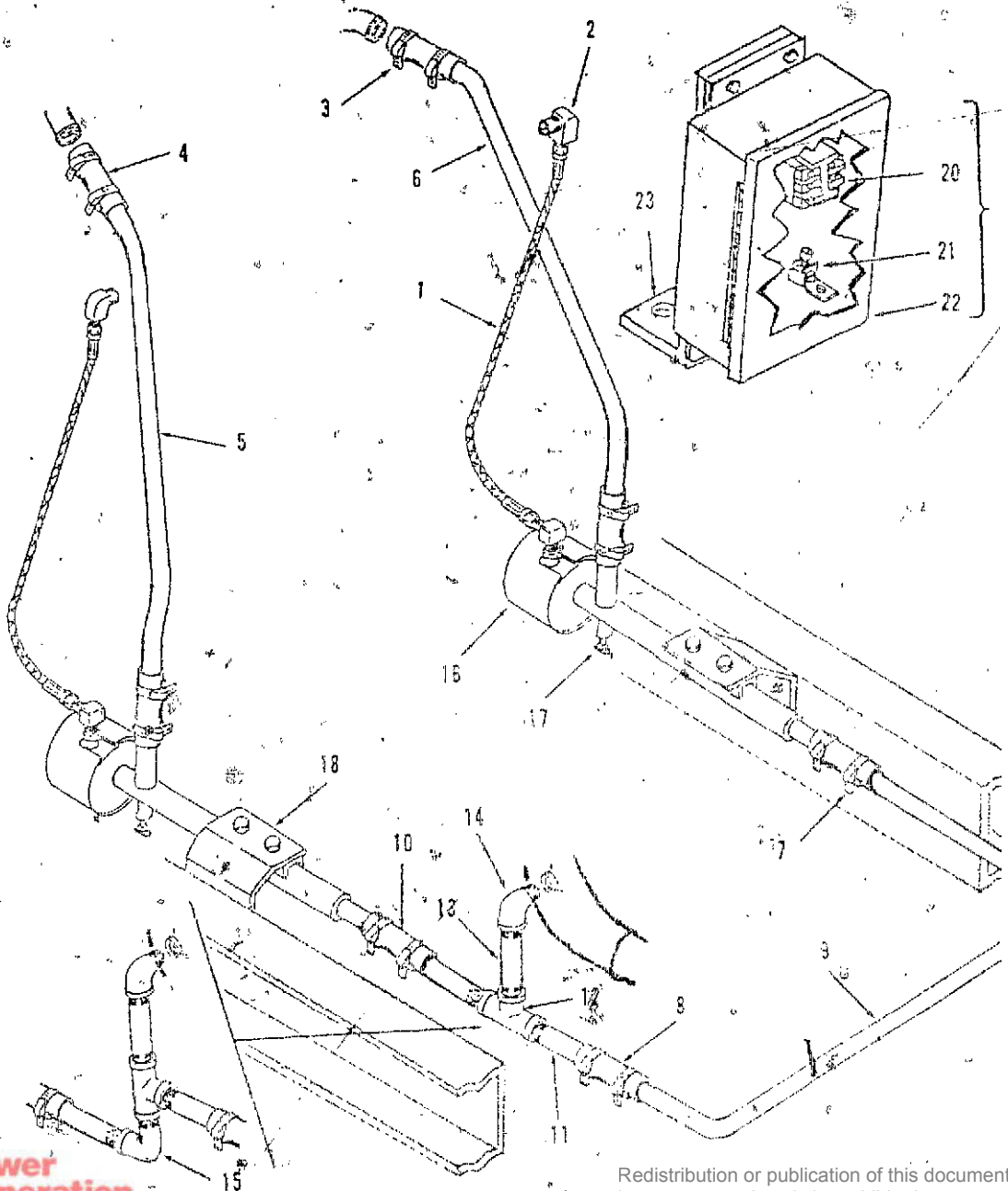
## External Engine Components Right Side

REF NO.	CPS PART NO.	GEN PART NO.	QTY USED	PART DESCRIPTION
1	140-2226	178957	2	Indicator, Air Restriction (Includes Fitting)
2	140-2264	3028847	2	Cap, Air Cleaner (Select as Applicable)
	140-2364	3017003		For 6" Tube Inlet
	140-2362	3058481		For 8" Tube Inlet
3	140-2264	3028847	2	Air Cleaner (Includes Element(s) unless A Disposable Type)
	140-2363	3017002		KTA50G1 & G2
	140-2345-02	3015349		Indoor (16"OD, 7"OD Outlet)
	140-2413	3050498		Outdoor (16"OD, 8"OD Inlet, 7"OD Outlet)
	140-2349	3058474		Heavy Duty (Rectangular Shape, 8"OD Outlet)
4	140-2402	3010842	2	KTA50G3 & G4
	140-2408	3013212		Indoor (13 1/2"OD, Disposable)
	140-2407	3013213		Heavy Duty (18"OD, 10"OD Inlet, 8"OD Outlet)
	140-2411	3060222		Element(s), Air Cleaner
	140-2412	3060223		KTAG1 & G2
				Indoor & Outdoor
				Heavy Duty Primary
				Heavy Duty Safety
				KTAG3 & G4
				Heavy Duty Primary
				Heavy Duty Safety
5	140-2413	3050498	2	Air Cleaner (Includes Elements(s) unless Disposable Type)
	140-2349	3058474		KTTA50G1
				Indoor (13 1/2"OD, Disposable)
				Heavy Duty (18"OD, 10"OD Inlet, 8"OD Outlet)
6	140-2411	3060222	2	Element(s), Air Cleaner
	140-2412	3060223		KTTA50G1
	122-0757	3310169	5	Heavy Duty Primary
	149-2232	299202	2	Heavy Duty Safety
7	309-0579-03	3046031	1	Filter, Oil
8	338-2393	3050414	2	Filter, Fuel
9	302-1854	3015238	1	Switch & Harness - Low Coolant Level
	Note 1			Switch, Low Coolant Level
	309-0570	3034866	1	Harness, Wiring
	309-0569-04	3048725	1	Switch, Sender & Harness - Engine Coolant Temperature Items
	309-0572-02	3048727	1	Transducer (Sender) - Temperature (All Specs)
	Note 1			Spec A, B & C OLD STYLE (Nason)
	309-0596-06	3056355	1	Switch, Temperature - Alarm, Low Temp (2 Wire Harness)
	309-0596-04	3056353	1	Switch, Temperature - Shutdown, Hi Temp (2 Wire Harness)
				Switch, Temperature - Alarm & Shutdown (4 Wire Harness)
				Spec A, B, C & D NEW STYLE (Robert-Shaw); Spec A, B, C Require Adapter Harness for interface with Engine Wiring Harness)
	338-2471	3066834	1	Switch, Temperature - Alarm (u/w 338-2471 Forked Harness)
	338-2473	3066832	1	Switch, Temperature - Shutdown (u/w 338-2471 in Dual Switch Applications or with 338-2473 Harness in Single Application)
10	302-1853	3015237	1	Harness, Wiring (Spec A, B, C Single Switch Application)
	Note 1			Harness, Wiring - Forked (Spec A, B, C Dual Switch Application)
	309-0565-01	3034864	1	Switch, Sender & Harness - Engine Oil Pressure
	309-0566	3034863	1	Transducer (Sender) - Pressure (All Specs)
	Note 1			Spec A, B & C OLD STYLE (Nason)
	309-0595-02	3056344	1	Switch - Shutdown with 3 Wire Harness (12PSI)
	309-0595-03	3056345	1	Switch - Alarm & shutdown with 4 Wire Harness (12/18PSI)
				Spec A, B, C & D NEW STYLE (Robert-Shaw); Spec A, B, C Require Adapter Harness for interface with Engine Wiring Harness)
	338-2472	3066830	1	Switch, Pressure - Alarm (u/w 338-2470 Forked Harness)
	338-2470	3066835	1	Switch, Pressure - Shutdown (u/w 338-2470 in Dual Switch Application or with 338-2472 in Single Application)
11	338-2471	3066834	1	Harness, Wiring (Spec A, B, C Single Switch Application)
	338-2470	3066835	1	Harness, Wiring (Spec A, B, C Dual Switch Application)
12	338-2389-02	3053027	1	Harness, Wiring - Engine
	338-2052-02	3062872	1	Spec A, B & C
				Spec D

NOTE: 1. New Style Switches introduced During Spec B & C Gen Set Assembly and Standard on Spec D Gen Sets during 1988. Replacement of old style (NASON) items with new style (ROBERT-SHAW) items Recommended by Cummins Engine Company Engineering.

Redistribution or publication of this document by any means, is strictly prohibited.

Dual Engine Coolant Heaters,  
Spec A & B & D  
(Watlow Type)

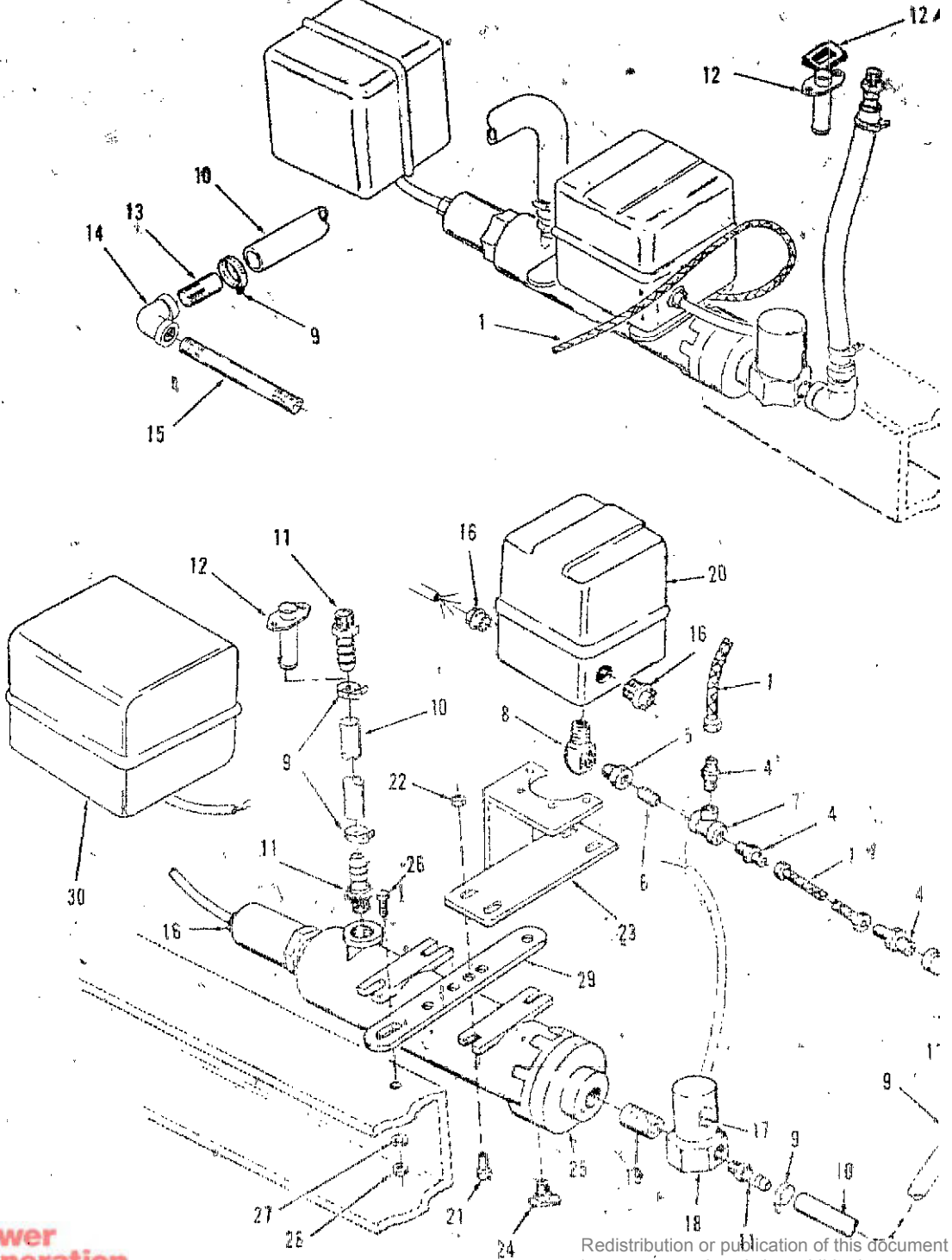


**Dual Engine Coolant Heaters  
Spec A & B & D  
(Watlow Type)**

REF NO.	CPS PART NO.	CEC PART NO.	QTY USED	PART DESCRIPTION
1	501-0537-03	A540325S	2	Hose Assembly - Oil Pressure (Select as required)
		A54040SS		32" Lg
		A54050SS		40" Lg
	501-0537-07	A54060SS		50" Lg
	501-0537-26	A54060SS		60" Lg
2	502-1043-01	68139	4	Elbow, Pipe - Male, 90 DEG
3	503-1603	43828A	8	Clamp, Hose
4	503-1602	3027706	4	Hose, Rubber
5	130-3339	3060899	1	Tube, Water
6	130-3340	3060900	1	Tube, Water
7	503-1603	43828A	6	Clamp, Hose
8		200517	2	Hose, Rubber
9		3056251	1	Tube, Water
10		3009805	1	Hose, Rubber
11		153409	2	Nipple, Pipe - Half
12		3056256	1	Tee, Pipe
13		5912C	1	Nipple, Pipe
14		5906C	1	Elbow, Pipe - Street - 90°
15		3056257	1	Elbow, Pipe - Street - 90° (Used on some installations)
16	Note 1.		2	Heater, Electrical - Coolant (Includes Thermostat, Drain Cock, Mounting Nuts and may or may not include pressure switch)
	333-0389-06	3053979		With Oil Pressure Switch
	333-0389-04	3056184		Without Oil Pressure Switch
	333-0413-09	3063630		120 VAC, 4000 Watt
	333-0413-08	3063473		208 VAC, 4000 Watt
	333-0413-10	3063631		480 VAC, 4000 Watt
				Attaching Parts for Heater
	800-0222	S114	4	Screw, Cap - Hex Head (1/4-20 x 3/4")
	850-0101	S600	4	Washer, Lock - Spring (1/4")
	402-0608	3035083	4	Isolator, Vibration
	402-0609	3035084	4	Isolator, Vibration
17	504-0003	S923E	2	Cock, Drain (1/4 NPT)
18	130-3189	3056255	2	Bracket, Mounting - Heater
				Attaching Parts for Bracket
	800-0210	S103D	8	Screw, Cap - Hex Head (3/8-16 x 1-1/4)
	850-0103	S604	8	Washer, Lock - Spring (3/8")
	871-0028	S254	8	Nut, Hex - Brass (3/8-16)
19		3063476	2	Switch, Control - Heater (Includes Contactor, Ground Lug and Box)
20		3063477	1	Contactor (50 AMP, 3 Pole, SPST, 120 VAC Coil)
21	Note 2		1	Lug, Ground
22	Note 3.		1	Box, Electrical
23		3063476	2	Bracket, Mounting - Box
				Attaching Parts for Brackets
	800-0222	S114	8	Screw, Cap - hex Head (1/4-20 x 3/4")
	850-0101	S600	8	Washer, Lock - Spring (1/4")
	862-0031	S224	8	Nut, Hex (1/4-20)

NOTE: 1. Heaters and Controls Manufactured by Watlow Industries Inc  
Div. of Watlow Electric Co. Hannibal, Mo  
2. Watlow No. 191-16-6-1  
3. Watlow No. 303-62-29-29

# Dual Engine Coolant Heaters Spec C (Kim Type)



**Dual Engine Coolant Heaters  
Spec C  
(Kim Type)**

REF NO.	CPS PART NO.	OEC PART NO.	QTY USED	PART DESCRIPTION
1	501-0199		2	Line, Fuel - Flexible
2	505-0037		1	Elbow - 90 Degree (1/8 NPT)
3	505-0104		1	Nipple, Pipe - Close (1/8 NPT x 1-1/2")
4	502-0193		4	Adapter, Hex - Pipe to Line
5	505-0007		2	Bushing, Reducer - Hex (1/4 NPT x 1/8 NPT)
6	505-0098		1	Nipple, Pipe - Close (1/8 NPT x 3/4")
7	505-0059		1	Tee, Pipe (1/8 NPT)
8	502-0054		2	Elbow, Pipe - Street, 90 Degree (1/8 NPT)
9	503-0398		6	Clamp, Hose
10	503-0249		AB	Hose, Rubber - Bulk (1"ID x 1-3/8"OD) [Sold in Multi Foot lengths, order length as required]
11	505-0759		7	Adapter, Hose to Pipe
12	130-3200	3178301	2	Adapter, Hose with Flange (Used on some applications)
12A		3177556	2	Seal - Rectangular Ring
13	505-0324		1	Nipple, Pipe - Half (3/4 NPT x 2")
14	505-0132		1	Elbow, Pipe - Street, 90 Degree (3/4 NPT)
15	505-0438		1	Nipple, Pipe (3/4 NPT x 8")
16	331-0027		12	Clamp, Cable
17				Terminals
			4	Nut, Wire
	323-0957		8	Lug, Terminal - Ring (#10)
	332-0014		8	Lug, Terminal - Ring (#8)
18	332-0149			Switch, Thermostatic
	309-0490		2	100' - 120' Fahrenheit
	309-0253		2	120' - 140' Fahrenheit
19	505-0004		2	Nipple, Pipe - Close (3/4 NPT x 1-1/2")
20	309-0271		2	Switch, Pressure - Oil
				Attaching Parts for Switch
	812-0079		8	Screw, Machine - Round Head (#8-32 x 1/2")
	854-0007		8	Washer, Lock - ET (#8)
21	800-0008		4	Screw, Cap - Hex Head (1/4-20 x 1-1/4")
22	870-0212		4	Nut, Self-locking - Hex (1/4-20)
23	333-0224		2	Bracket, Support - Pressure Switch
24	504-0003		2	Cock, Drain
25				Heater, Electrical
	333-0143		2	4000 Watt, 208 VAC - 1 Phase
	333-0164		2	4000 Watt, 208 VAC - 3 Phase
	333-0138		2	4000 Watt, 240 VAC - 1 Phase
	333-0190		2	4000 Watt, 240 VAC - 3 Phase
	333-0150		2	4000 Watt, 277 VAC - 1 Phase
	333-0183		2	4000 Watt, 380 VAC - 1 Phase
	333-0174		2	4000 Watt, 380 VAC - 3 Phase
	333-0161		2	4000 Watt, 480 VAC - 1 Phase
	333-0144		2	4000 Watt, 480 VAC - 3 Phase
26	821-0030		8	Screw, Self-locking - Hex Head (5/16-18 x 1-1/4")
27	850-0045		8	Washer, Lock - Spring (5/16")
28	862-0015		8	Nut, Hex (5/16-18)
29	130-1191		4	Bracket, Mounting
30				Contactors
	307-1460		2	220 VAC, 3 Pole
	307-1164		2	480 VAC, 3 Pole

# GENERATOR SECTION

## Table of Contents

---

Generator Size Table SPEC A & B & D .....	32
Generator Size Table SPEC C .....	33
Generators SAE0/SAE18 .....	35
Generator Stator Section [Frame Size 6] .....	37
Generator Stator Section [Frame Size 7] .....	39
Generator Rotor Section [Frame Size 6, SAE0/SAE18].....	41
Generator Rotor Section [Frame Size 7, SAE0/SAE18].....	43
Permanent Magnet Exciter .....	44

## GENERATOR TABLE SPEC A & B & D

### Low Range Generators

OPTION CODE	FRAME SIZE	ADPTR SAE	DISK SAE	LEAD	KW RATING	VOLTAGE AT 60 HERTZ					AT 50 HERTZ		
						380 190	416 208	440 220	460 230	480 240	380 190	400 200	416 208
MGB320	6 AS	0	18	6	Standby Prime Pwr	610	640	660	680	700	540	550	570
						575	600	625	640	650	500	515	525
MGB321	6 A	0	18	6	Standby Prime	670	700	740	770	800	610	630	650
						625	650	675	710	730	555	580	600
MGB322	6 B	0	18	6	Standby Prime Pwr	750	800	830	860	900	680	700	720
						680	730	770	800	820	620	640	660
MGB323	6 C	0	18	6	Standby Prime Pwr	880	920	960	1000	1050	800	825	840
						820	850	880	920	950	730	750	765
MGB324	6 D	0	18	6	Standby Prime Pwr	950	1000	1050	1100	1150	875	900	920
						880	950	990	1020	1050	800	825	850
MGB326	6 A	0	18	12	Standby Prime Pwr	670	700	740	770	800	610	630	650
						625	650	675	710	730	555	580	600
MGB327	6 B	0	18	12	Standby Prime Pwr	750	800	830	860	900	680	700	720
						680	730	770	800	820	620	640	660
MGB328	6 C	0	18	12	Standby Prime Pwr	880	920	960	1000	1050	800	825	840
						820	850	880	920	950	730	750	765
MGB329	6 D	0	18	12	Standby Prime	950	1000	1050	1100	1150	875	900	920
						880	950	990	1020	1050	800	825	850
MGB330	7 A	0	18	6	Standby Prime Pwr	1120	1175	1200	1225	1250	1000	1050	1075
						1020	1075	1110	1125	1150	920	950	975
MGB331	7 B	0	18	6	Standby Prime	1300	1350	1420	1475	1500	1150	1160	1180
						1200	1250	1300	1350	1375	1050	1050	1075
MGB332	7 C	0	18	6	Standby Prime Pwr	1600	1700	1775	1850	1875	1450	1525	1600
						1525	1600	1650	1725	1800	1350	1400	1450

### Medium Range Generators

OPTION CODE	FRAME SIZE	ADPTR SAE	DISK SAE	LEAD	KW RATING	VOLTAGE AT 60 HERTZ		AT 50 HERTZ
						4160/2400		3300/1905
MGB333	7 A	0	18	8	Standby Prime Pwr		540 500	430 400
MGB334	7 B	0	18	6	Standby Prime Pwr		810 750	650 600
MGB335	7 C	0	18	6	Standby Prime		1050 1000	860 800
MGB336	7 D	0	18	12	Standby Prime Pwr		1620 1500	1300 1200



**Power  
Generation**

Redistribution or publication of this document by any means, is strictly prohibited.

## GENERATOR TABLE SPEC C

### Low Range Generators

OPTION CODE	FRAME SIZE	ADPTR SAE	DISK SAE	LEAD	KW RATING	VOLTAGE AT 60 HERTZ					AT 50 HERTZ		
						380 190	416 208	440 220	460 230	480 240	380 190	400 200	416 208
9MG0020	6 AS	0	18	6	Standby	610	640	660	680	700	540	550	570
					Prime Pwr	575	600	625	640	650	500	515	525
9MG0021	6 A	0	18	6	Standby	670	700	740	770	800	610	630	650
					Prime	625	650	675	710	730	555	580	600
9MG0022	6 B	0	18	6	Standby	750	800	830	860	900	680	700	720
					Prime Pwr	680	730	770	800	820	620	640	660
9MG0023	6 C	0	18	6	Standby	880	920	960	1000	1050	800	825	840
					Prime Pwr	820	850	880	920	950	730	750	765
9MG0024	6 D	0	18	6	Standby	950	1000	1050	1100	1150	875	900	920
					Prime Pwr	880	950	990	1020	1050	800	825	850
9MG0026	6 A	0	18	12	Standby	670	700	740	770	800	610	630	650
					Prime Pwr	625	650	675	710	730	555	580	600
9MG0027	6 B	0	18	12	Standby	750	800	830	860	900	680	700	720
					Prime Pwr	680	730	770	800	820	620	640	660
9MG0028	6 C	0	18	12	Standby	880	920	960	1000	1050	800	825	840
					Prime Pwr	820	850	880	920	950	730	750	765
9MG0029	6 D	0	18	12	Standby	950	1000	1050	1100	1150	875	900	920
					Prime	880	950	990	1020	1050	800	825	850
9MG0030	7 A	0	18	6	Standby	1120	1175	1200	1240	1275	1000	1050	1075
					Prime Pwr	1030	1075	1110	1125	1150	920	950	975
9MG0031	7 B	0	18	6	Standby	1300	1350	1420	1475	1500	1130	1160	1180
					Prime	1200	1250	1300	1350	1375	1030	1050	1075
9MG0032	7 C	0	18	6	Standby	1660	1700	1775	1850	1875	1450	1525	1600
					Prime Pwr	1525	1600	1650	1725	1800	1350	1400	1450

### Medium Range Generators

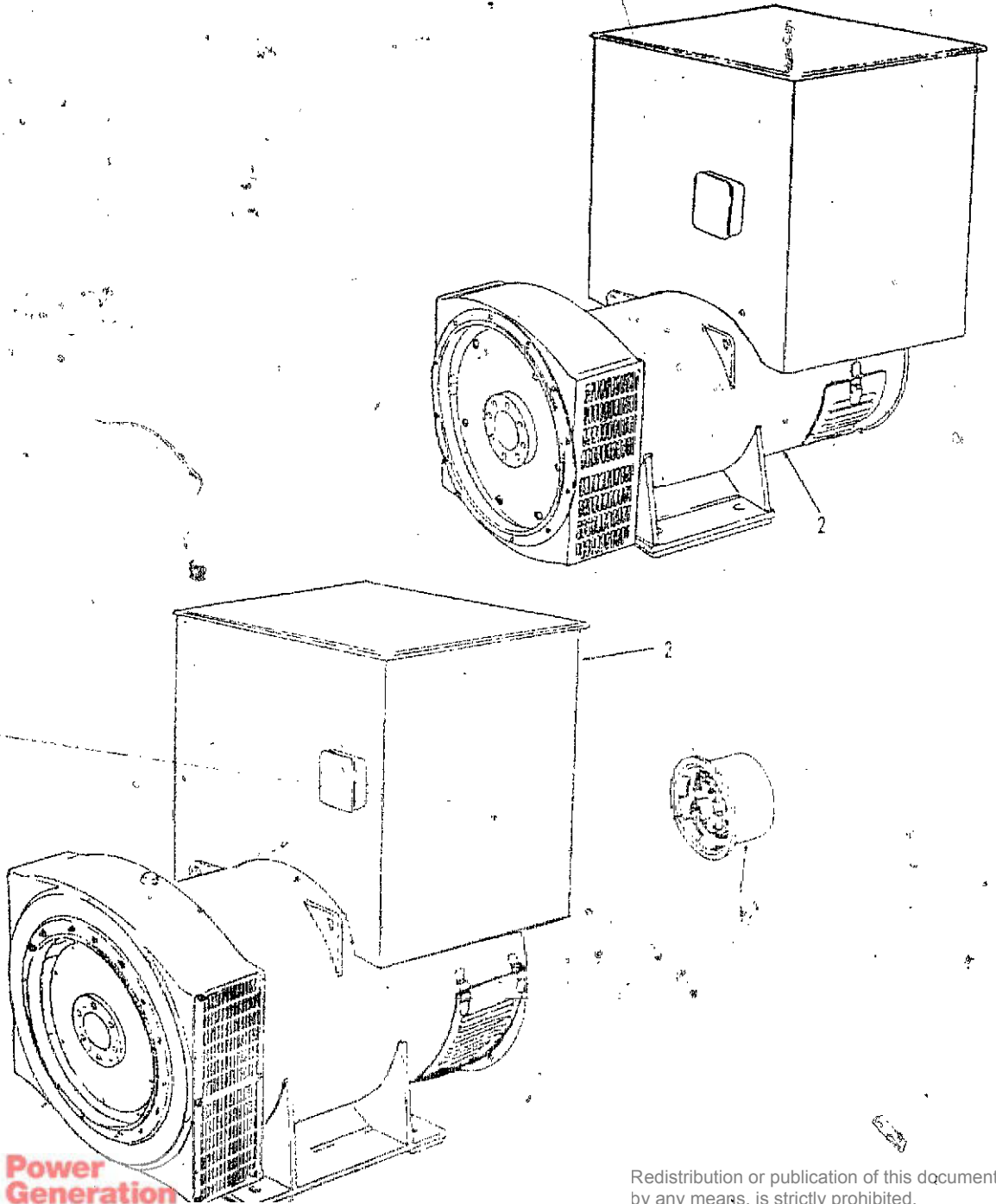
OPTION CODE	FRAME SIZE	ADPTR SAE	DISK SAE	LEAD	KW RATING	VOLTAGE AT 60 HERTZ		AT 50 HERTZ	
						4160/2400		3300/1925	
9MG8333	7 A	0	18	6	Standby		540		430
					Prime Pwr		500		400
9MG8334	7 B	0	18	6	Standby		610		650
					Prime Pwr		575		600
9MG8335	7 C	0	18	6	Standby		1050		860
					Prime		1000		800
9MG8336	7 D	0	18	12	Standby		1520		1300
					Prime Pwr		1500		1200



**Power  
Generation**



Generators  
Frames 6 & 7  
SAE 0 / SAE 18



Power  
Generation

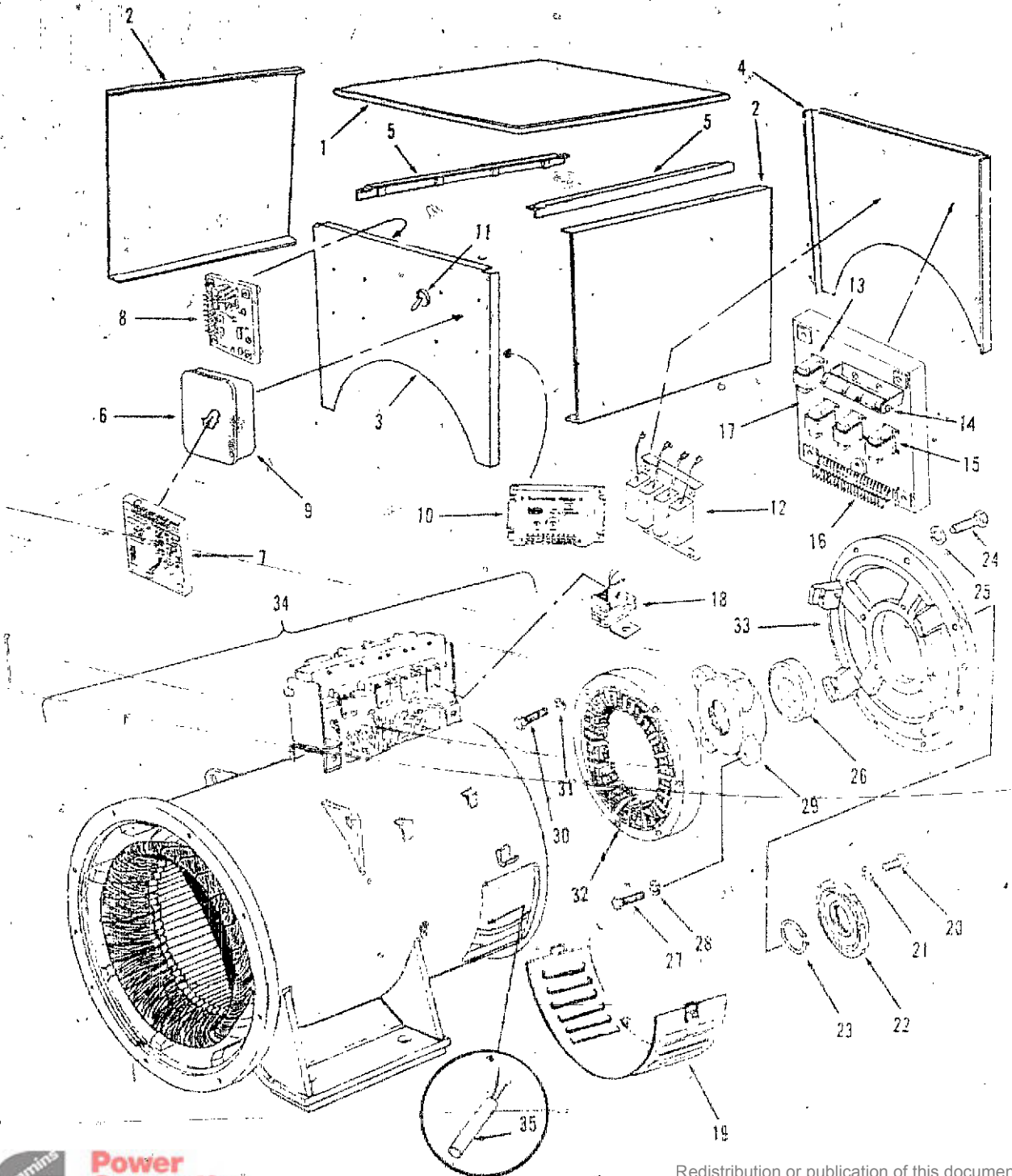
Redistribution or publication of this document  
by any means, is strictly prohibited.

**Generators  
Frames 6 & 7  
SAE 0 / SAE 18**

REF NO.	CPS PART NO.	CEC PART NO.	QTY USED	PART DESCRIPTION
1			1	Module, Permanent Magnet Exciter (See Separate Page for Components)
	249-0298		4	Attaching Parts For Module Screw, Cap - Hex Head (M8 x 16mm)
	249-0218		4	Washer, Lock (M8)
	249-0315		4	Clamp, Retaining
2	Note 1			Generator (Includes PMG Exciter) (See Separate Pages for Stator and Rotor Components)
				Attaching Parts Generator To Skid Frame 6 and 7
	800-0242	S161	4	Screw, Cap - Hex Head (1-8 x 3-1/2")
	850-0109	S613	4	Washer, Lock - Spring (1")
	526-0360	146180	8	Washer, Flat (1")
	370-4045	3025064	4	Spacer (Frame 6 only)
	370-4046-01	125356	4	Shim
	370-4046-02	125357	4	Shim
	370-4046-03	125358	4	Shim
	862-0037	S222	4	Nut, Hex (1-8)
				Attaching Parts Adapter to Flywheel Housing Frame 6
	800-0215	S113	2	Screw, Cap - Hex Head (1/2-13 x 1-1/2")
	800-0236	S106	14	Screw, Cap - Hex Head (1/2-13 x 1-3/4")
	850-0105	S608	16	Washer, Lock - Spring (1/2")
				Frame 7
	800-0236	S106	12	Screw, Cap - Hex Head (1/2-13 x 1-3/4")
	850-0105	S608	12	Washer, Lock - Spring (1/2")
	800-0242	S161	4	Screw, Cap - Hex Head (1-8 x 3-1/2")
	850-0109	S613	4	Washer, Lock - Spring (1-8")
				Attaching Parts Drive Disc to Flywheel Frame 6
	815-0719	206339	8	Screw, Cap - 10 Point Drive (5/8-11 x 1-1/2")
	526-0362	200861	8	Washer, Flat (5/8)
				Frame 7
	815-0720	206339	8	Screw, Cap - 10 Point Drive (5/8-11 x 1-1/2")
	526-0362	200861	8	Washer, Flat (5/8)

Note 1: For replacement Generator please supply the load and GSA Ser. (separate) and generator nameplate data.

Generator  
Stator Section  
Frame 6

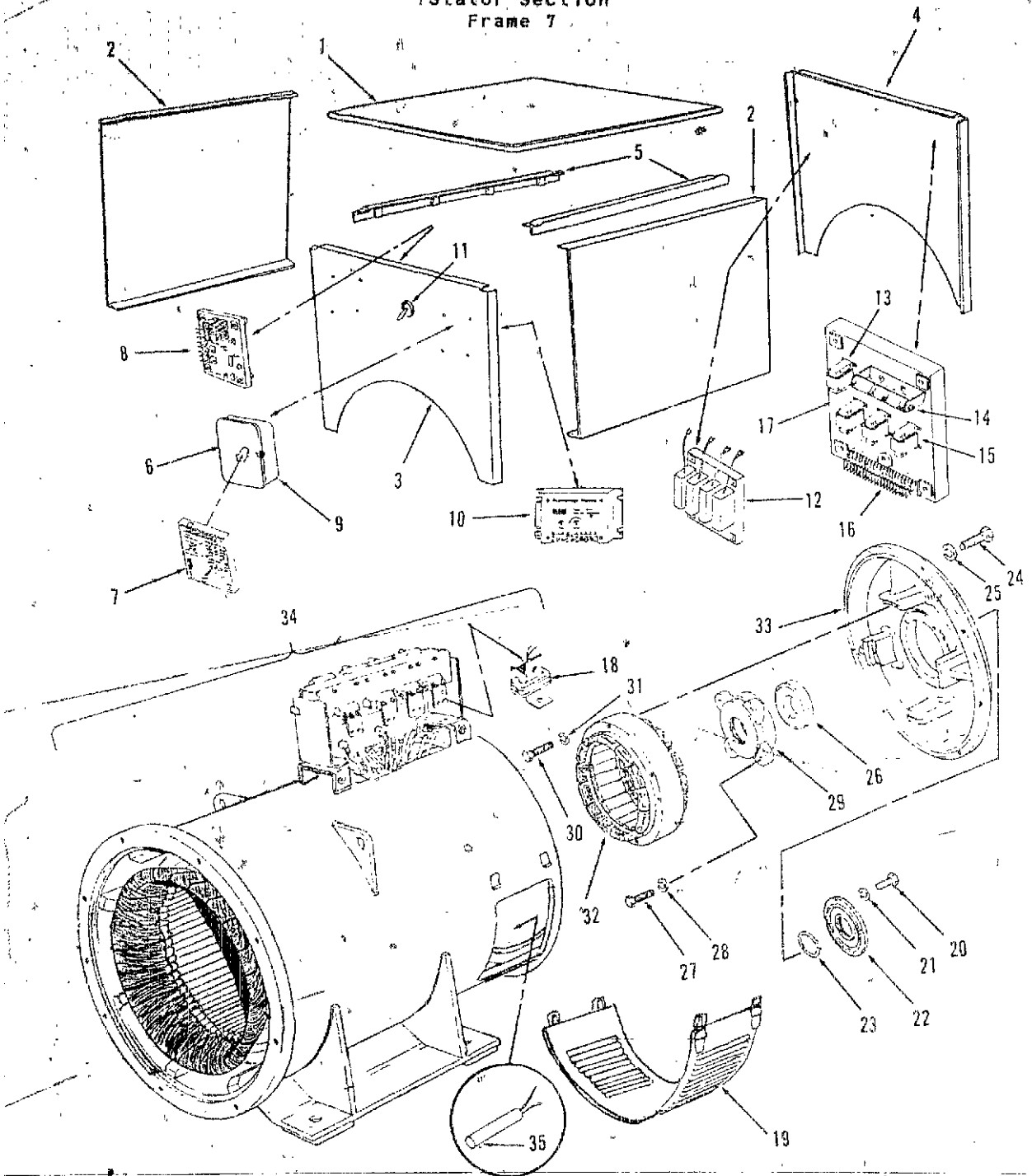


**Generator  
Stator Section  
Frame 6**

REF NO.	CPS PART NO.	CEC PART NO.	QTY USED	PART DESCRIPTION
1	Note 1		1	Lid
2	Note 1		2	Panel, Side
3	Note 1		1	Panel, Front
4	Note 1		1	Panel, Rear
5	Note 1		2	Bracket, Angle
6	249-0425		2	Lid
				<b>Attaching Parts</b>
7	249-0304		8	Screw, Captive
				Regulator, Voltage
	305-0770		1	Standard
	305-0778		1	3 Phase (Used with 3 Phase Sensing Module)
	305-0803		1	Manual
				<b>Attaching Parts</b>
	249-0398		4	Pillar, Threaded
8	300-3278		1	Module, 3 Phase Sensing
				<b>Attaching Parts</b>
	249-0398		4	Pillar, Threaded
9	249-0395		2	Box
10	305-0822		1	Module, Overvoltage
				<b>Attaching Parts</b>
	249-0295		4	Screw, Cap - Hex Head (M5 x 35mm)
	249-0288		4	Washer, Plastic (M5)
	249-0287		4	Nut, Hex - Nylon (M5)
11	249-0449		1	Switch
12	249-0569		1	RFI Suppressor Assy
13	302-1851		1	Choke
14	354-0031		1	Resistor, Adjustable
15	249-0504		3	Transformer, Voltage Sensing
16	249-0289		3	Block, Terminal
17	249-0424		1	Panel, Terminal Block Mounting
18	302-1852-02		3	Transformer, Current
19	249-0513		1	Grille, Inlet - Air
20	249-0243		4	Screw, Cap - Hex Head (M10 x 30mm)
21	249-0202		4	Washer, Lock - Spring (M10)
22	249-0510		1	Cap, Bearing - Outer
23	249-0447		1	Circlip
24	249-0204		8	Screw, Cap - Hex Head (M12 x 40mm)
25	249-0205		8	Washer, Lock - Spring (M12)
26	249-0448		1	Bearing, Ball
27	249-0245		4	Screw, Cap - Hex Head (M10 x 50mm)
28	249-0202		4	Washer, Lock - Spring (M10)
29	249-0509		1	Cap, Bearing - Inner
30	249-0445		6	Screw, Cap - Hex Head (M6 x 85mm)
31	249-0212		6	Washer, Lock - Spring (M6)
32	249-0470		1	Stator, Exciter
33	249-0527		1	Bracket, End
34	Note 1		1	Stator, Generator (Includes Terminal Studs and Links)
				<b>Attaching Parts Stator to Adapter</b>
	249-0204		8	Screw, Cap - Hex Head (M12 x 40mm)
	249-0205		8	Washer, Lock - Spring (M12)
35				Heater, Electrical - Replacement
	249-0621		1	70 Watt, 120 VAC
	249-0622		1	70 Watt, 240 VAC

Notes: 1. Items not stocked, replacement available only on special order with long lead time likely.

Generator  
Stator Section  
Frame 7

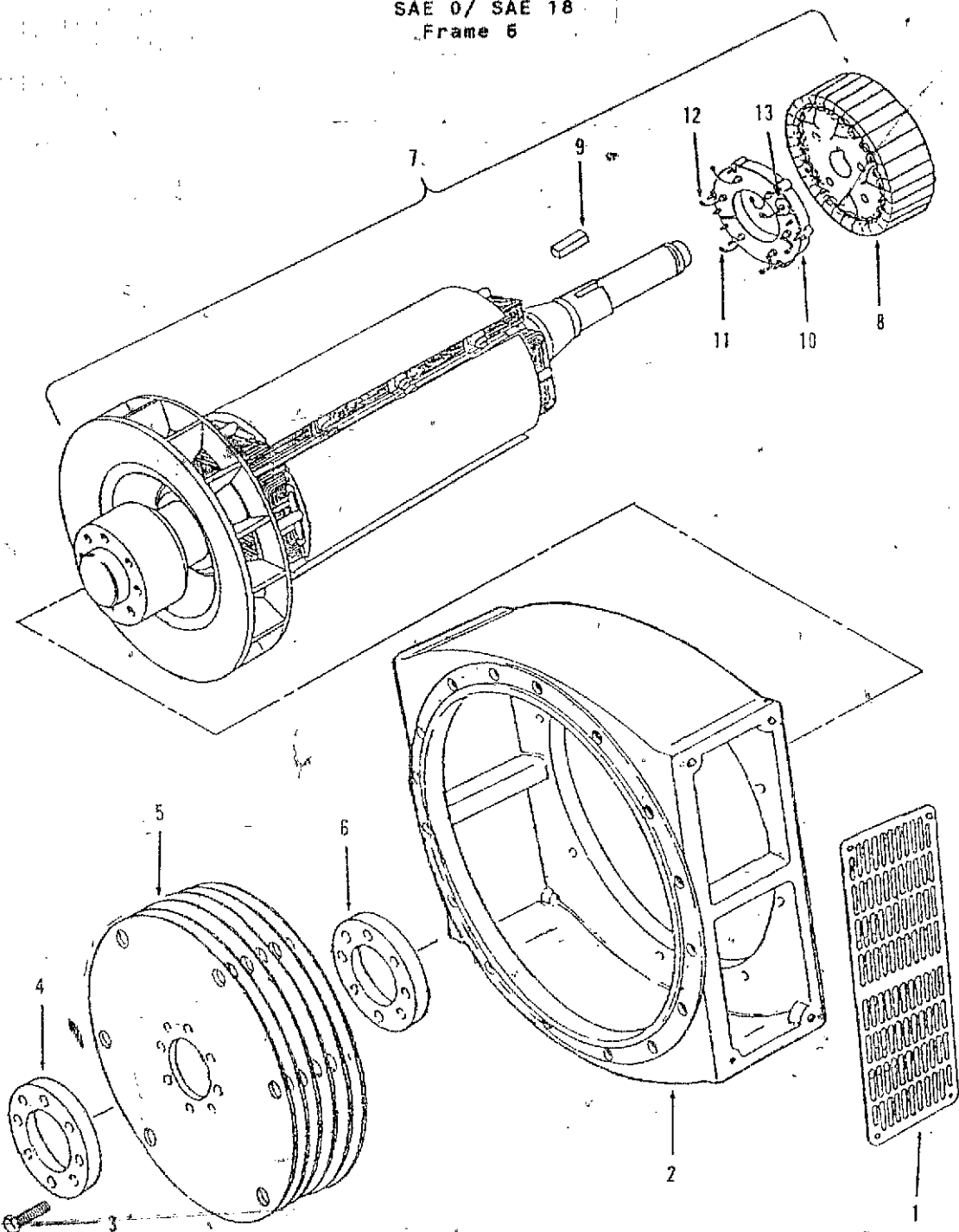


**Generator  
Stator Section  
Frame 7**

REF NO.	CPS PART NO.	CEC PART NO.	QTY USED	PART DESCRIPTION
1	Note 1		1	Lid
2	Note 1		2	Panel, Side
3	Note 1		1	Panel, Front
4	Note 1		1	Panel, Rear
5	Note 1		2	Bracket, Angle
6	249-0425		2	Lid
				Attaching Parts
7	249-0304		8	Screw, Captype
				Regulator, Voltage
	305-0770		1	Standard
	305-0778		1	3 Phase (Used with 3 Phase Sensing Module)
	305-0803		1	Manual
				Attaching Parts
	249-0398		4	Pillar, Threaded
8	300-3278		1	Module, 3 Phase Sensing
				Attaching Parts
	249-0398		4	Pillar, Threaded
9	249-0395		2	Box
10	305-0822		1	Module, Overvoltage
				Attaching Parts
	249-0295		4	Screw, Cap - Hex Head (M5 x 35mm)
	249-0288		4	Washer, Plastic (M5)
	249-0287		4	Nut, Hex - Nylon (M5)
11	249-0449		1	Switch
12	249-0569		1	RFI Suppressor Assy
13	302-1851		1	Choke
14	354-0031		1	Resistor, Adjustable
15				Transformer
	302-1884		3	Voltage Sensing (Used on Standard Voltage Generators)
	302-1876		3	Isolation (Used on Medium Voltage Generators)
16	249-0289		3	Block, Terminal
17	249-0424		1	Panel, Terminal Block Mounting
18				Transformer, Current
	302-1852-01		3	Used on Standard Voltage Generators
	302-1852-03		3	Used on Medium Voltage Generators
19	249-0583		1	Grille, Inlet - Air
20	249-0243		4	Screw, Cap - Hex Head (M10 x 30mm)
21	249-0202		4	Washer, Lock - Spring (M10)
22	249-0510		1	Cap, Bearing - Outer
23	249-0447		1	Circlip
24	249-0204		8	Screw, Cap - Hex Head (M12 x 40mm)
25	249-0205		8	Washer, Lock - Spring (M12)
26	249-0448		1	Bearing, Ball
27	249-0245		4	Screw, Cap - Hex Head (M10 x 50mm)
28	249-0202		4	Washer, Lock - Spring (M10)
29	249-0509		1	Cap, Bearing - Inner
30	249-0438		6	Screw, Cap - Hex Head (M6 x 85mm)
31	249-0218		6	Washer, Lock - Spring (M6)
32	249-0470		1	Stator, Exciter
33	249-0471		1	Bracket, End
34	Note 1		1	Stator, Generator (Includes Terminal Studs and Links)
				Attaching Parts Stator to Adapter
	249-0204		8	Screw, Cap - Hex Head (M12 x 40mm)
	249-0205		8	Washer, Lock - Spring (M12)
35				Heater, Electrical - Replacement
	249-0621		1	70 Watt, 120 VAC
	249-0622		1	70 Watt, 240 VAC

Notes: 1. Item not stocked, replacement may be available only by special order with a long lead time, likely

Generator  
Rotor Section  
SAE 0/ SAE 18  
Frame 6



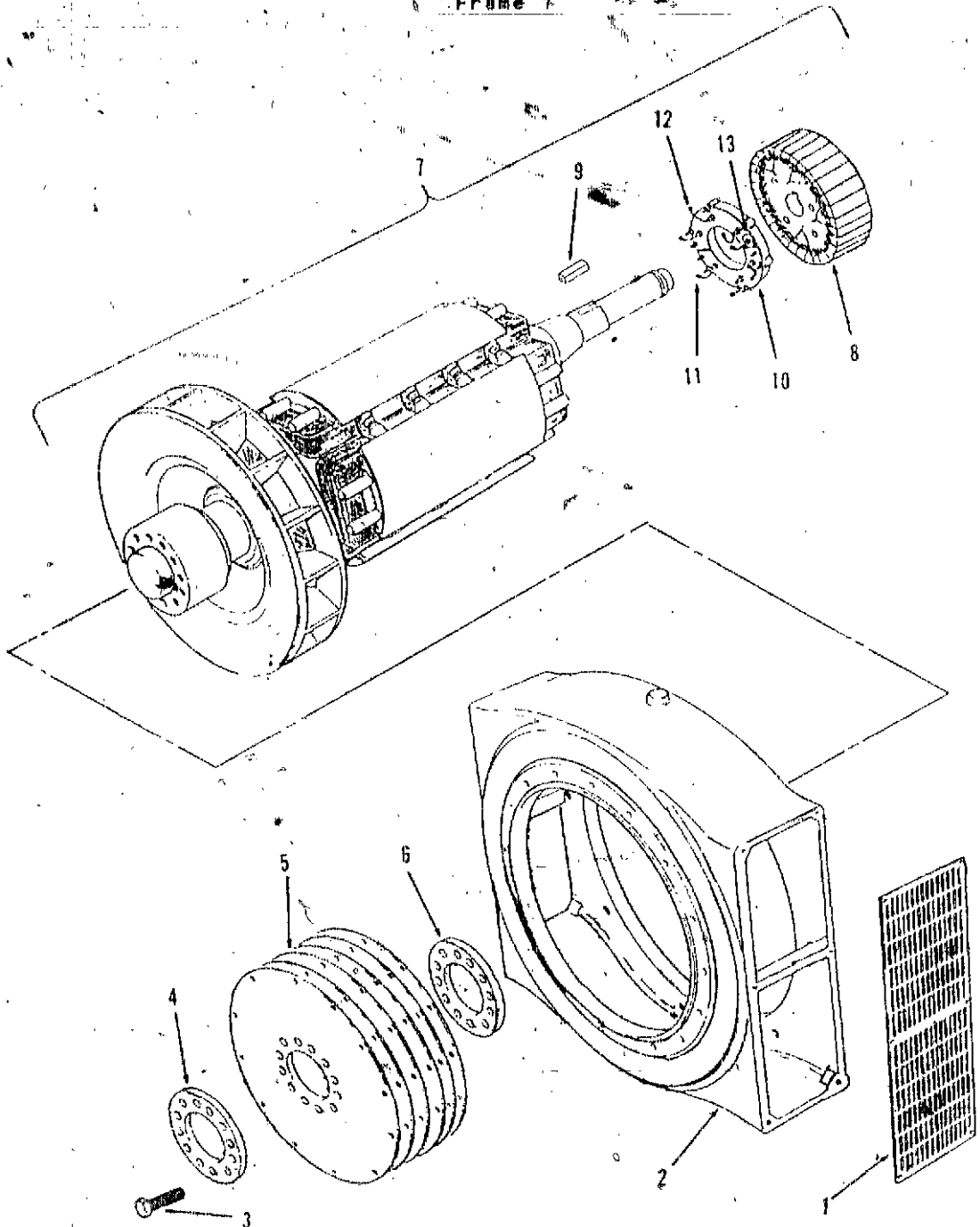
Rolling Section  
SAE 0/SAE 18  
Frame 18

REF NO.	CPS PART NO.	CEC PART NO.	QTY USED	PART DESCRIPTION
1	249-0534		2	Screen, Air - Adapter
	249-0294		12	Attaching Parts
	249-0307		12	Screw, Cap - Hex Head (M5 x 12mm)
	249-0365		12	Washer, Lock - Spring (M5)
2	249-0533		1	Washer, Flat (M5)
3	249-0437		8	Adapter, Generator SAE 0
4	249-0230		1	Screw, Cap - Hex Head (M20 x 75mm)
5	249-0276		6	Plate, Pressure
6	249-0277		1	Disc, Drive SAE 18
7	Note 1		1	Spacer
8	249-0512		1	Rotor, Generator (Includes Exciter, Key, and Rectifier Assy)
9	249-0570		1	Rotor, Exciter (Does Not Include Rectifier Assy)
10	249-0237		1	Key
11	249-0239		3	Rectifier Assy (Includes Diodes)
12	249-0238		3	Diode, Forward Polarity
13	249-0240		1	Diode, Reverse Polarity
			1	Varistor

Notes 1 Item not stocked, replacement available only on special order with long lead time likely



Generator  
Rotor Section  
SAE 0/ SAE 18  
Frame 7

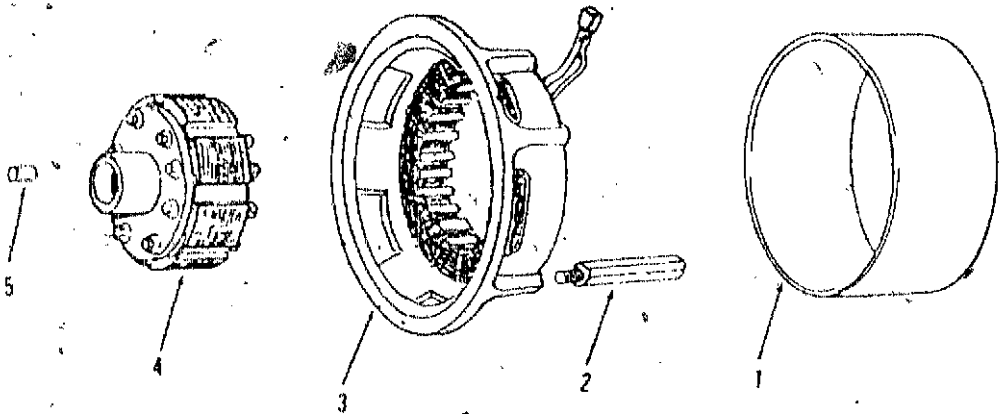


**Generator  
Rotor Section  
SAE 0/ SAE 18  
Frame 7**

REF NO.	CPS PART NO.	CEC PART NO.	QTY USED	PART DESCRIPTION
1	249-0A82		2	Screen, Air - Adapter
	249-0294		12	Attaching Parts
	249-0307		12	Screw, Cap - Hex Head (M5 x 12mm)
	249-0365		12	Washer, Lock - Spring (M5)
2	249-0481		1	Washer, Flat (M5)
3	249-0444		8	Adapter, Generator SAE 0
4	249-0467		1	Screw, Cap - Hex Head (M24 x 75mm)
5	249-0469		6	Plate, Pressure
6	249-0468		1	Disc, Drive SAE 18
7	Note 1		1	Spacer
8	249-0503		1	Rotor, Generator (Includes Exciter, Key, and Rectifier Assy)
9	249-0620		1	Rotor, Exciter (Does Not Include Rectifier Assy)
10	249-0237		1	Key
11	249-0239		3	Rectifier Assy (Includes Diodes)
12	249-0238		3	Diode, Forward Polarity
13	249-0566		1	Diode, Reverse Polarity
				Varistor

Notes 1 Item not stocked, replacement available only on special order with long lead time likely

## Generator Permanent Magnet Exciter



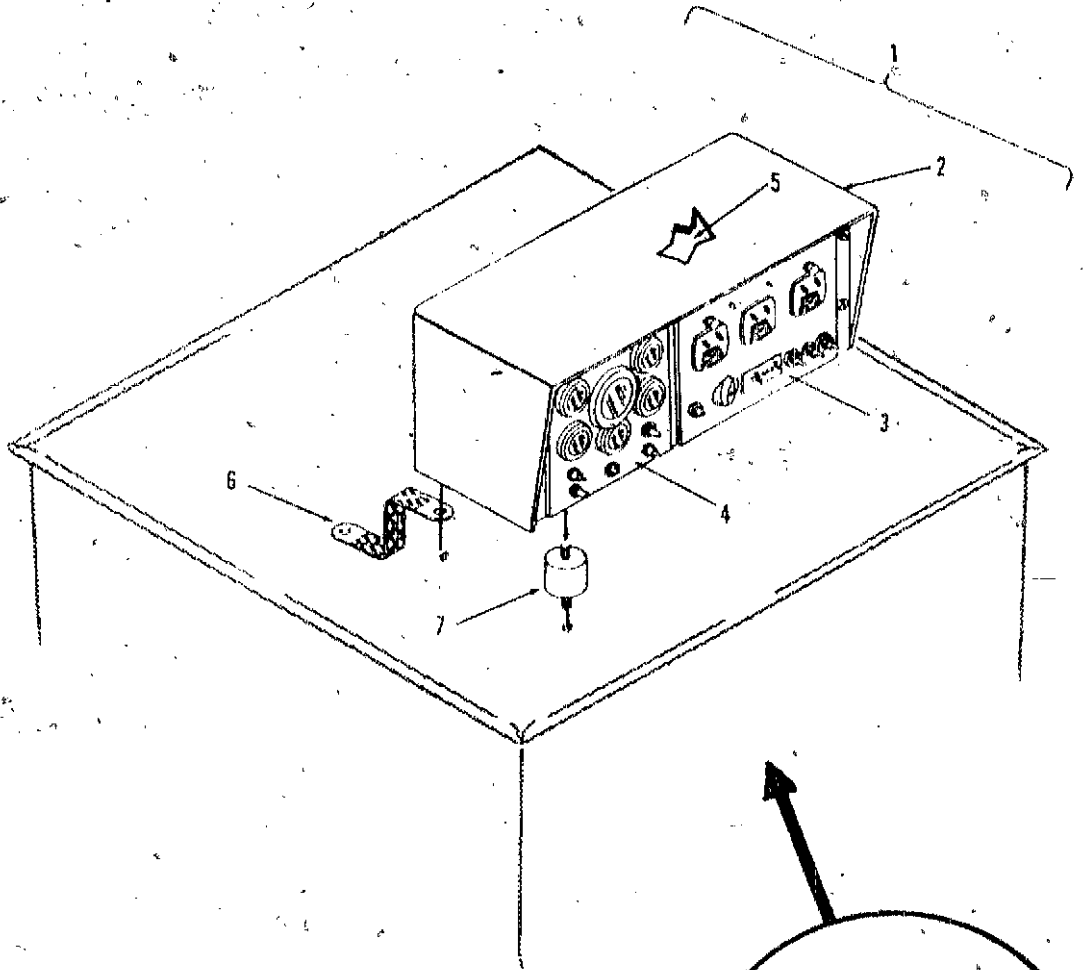
REF NO.	OPP PART NO.	CEC PART NO.	QTY USED	PART DESCRIPTION
1	249-0497		1	Cover
	249-0294		3	Attaching Parts For Cover
	249-0307		3	Screw, Cap - Hex Head (M5 x 12mm)
	249-0423		3	Washer, Lock (M5)
2	249-0423		3	Pillar, Threaded
3	249-0426		1	Rotor, Exciter with Frame
4				Rotor, Exciter (Select Rotor as Required)
	249-0427		1	Frame 2, 3, 4 Generators
	249-0644		1	Frame 5, 6, 7 Generators
				Attaching Parts For Rotor (Select Bolt as Required)
	249-0399		1	Bolt - Frame 2, 3, 4 Generators
	249-0495		1	Bolt - Frame 5, 6, 7 Generators
	249-0202		1	Washer, Lock (M10)
5	249-0313		1	Pin, Dowel

**CONTROL SECTION**

**TABLE OF CONTENTS**

Control, Generator Set.....	53
Control Panel, Generator (Sets with LED Indicator Lights).....	55
Control Panel, Generator (Sets with Bulb Indicator Lights).....	57
Control Panel, Engine (Sets with LED Indicator Lights).....	59
Control Panel, Engine (Sets with Bulb Indicator Lights).....	61
Control Wiring Harnesses (Sets with LED Indicator Lights).....	63
Control Wiring Harnesses (Sets with Bulb Indicator Lights).....	65
Control Internal Components (Sets with LED Ind Lights).....	66
Control Internal Components (Sets with Bulb Ind Lights).....	67
Control Alarm Module .....	68

# Generator Set Control

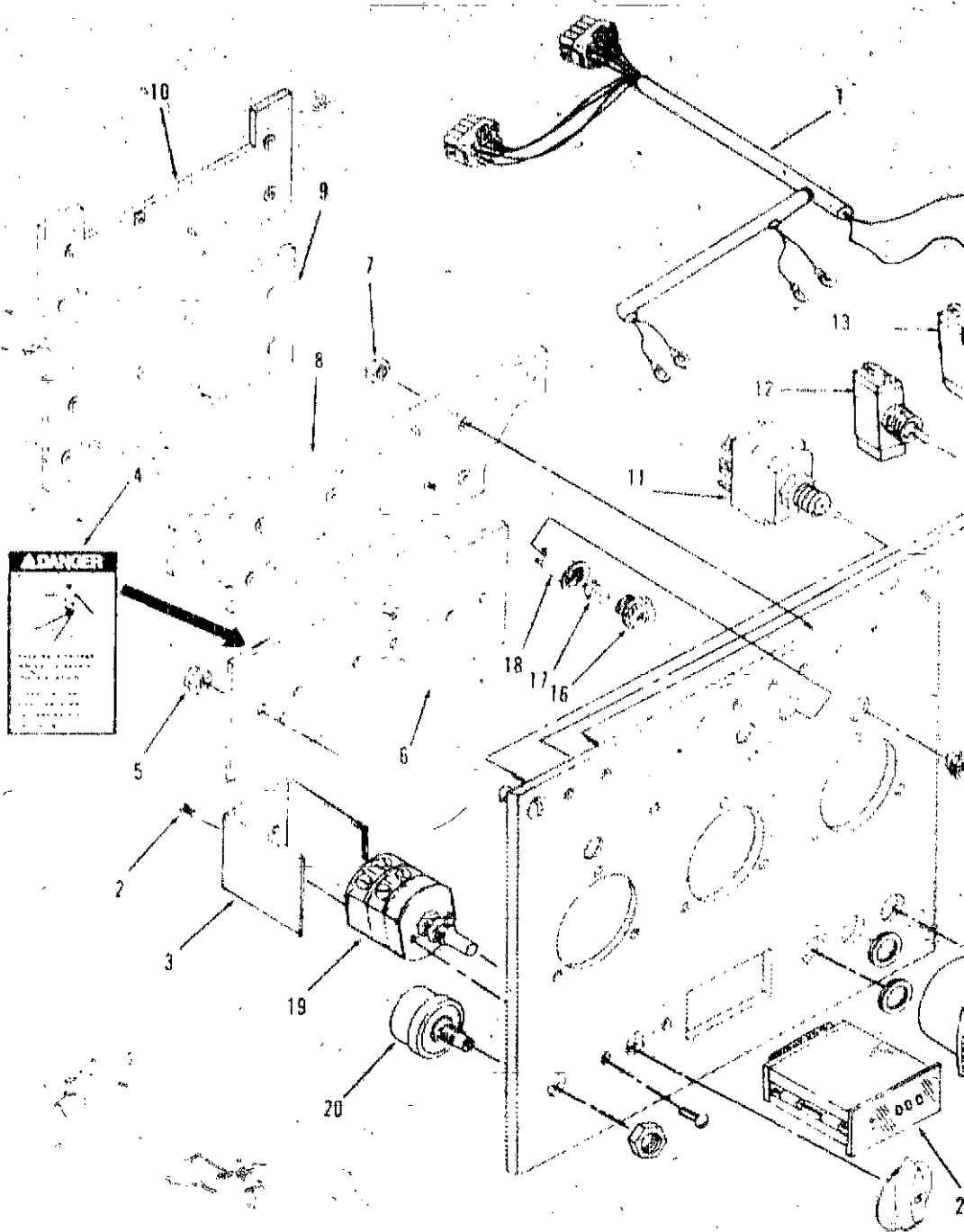


## Generator Set Control

REF NO.	CPS PART NO.	CEC PART NO.	QTY USED	PART DESCRIPTION
1			RET	Control, Generator Set (See Items 3 Thru 5 for Components) Attaching Parts for Control
	862-1001	70299	8	Nut, Hex (1/4-20)
	850-1040	70189	8	Washer, Lock Spring (1/4")
2	Note 1		1	Cover, Control Attaching Part for Cover
	815-0701	3016086	6	Screw, Machine - Round Head (1/4 20 x 1/2")
3			RET	Control Panel, Generator (See Separate Pages for Components)
4			RET	Control Panel, Engine (See Separate Pages for Components)
5			RET	Internal Components and Wiring Harnesses (See Separate Pages Selection)
6	337-2802	3016849	1	Lead, Electrical Ground
7	402-0610	204493	4	Mount, Vibration
8				Transformer, Current (Select as Required)
	302-1866-05	3011674	3	400:5 Ratio (Used with 200/400 AMP Ammeter)
	302-1866-09	3011678	3	600:5 Ratio (Used with 300/600 AMP Ammeter)
	302-1866-13	3011682	3	800:5 Ratio (Used with 400/800 AMP Ammeter)
	302-1866-15	3011684	3	1000:5 Ratio (Used with 500/1000 AMP Ammeter)
	302-1866-19	3011686	3	1200:5 Ratio (Used with 600/1200 AMP Ammeter and 1200 AMP Single Scale Ammeter)
	302-1866-21	3011690	3	1600:5 Ratio (Used with 800/1600 AMP Ammeter)
	302-1866-24	3014135	3	2000:5 Ratio (Used with 1000/2000 AMP Ammeter)
	302-1866-27	3051479	3	2500:5 Ratio (Used with 2500 AMP Single Scale Ammeter)
	302-1866-28	3051480	3	3000:5 Ratio (Used with 1500/3000 AMP & 1000 AMP Single Scale Ammeters)

Notes 1 Item not stocked replacement available only on special order with long lead time likely

# Generator Control Panel With L E D Indicator Lights

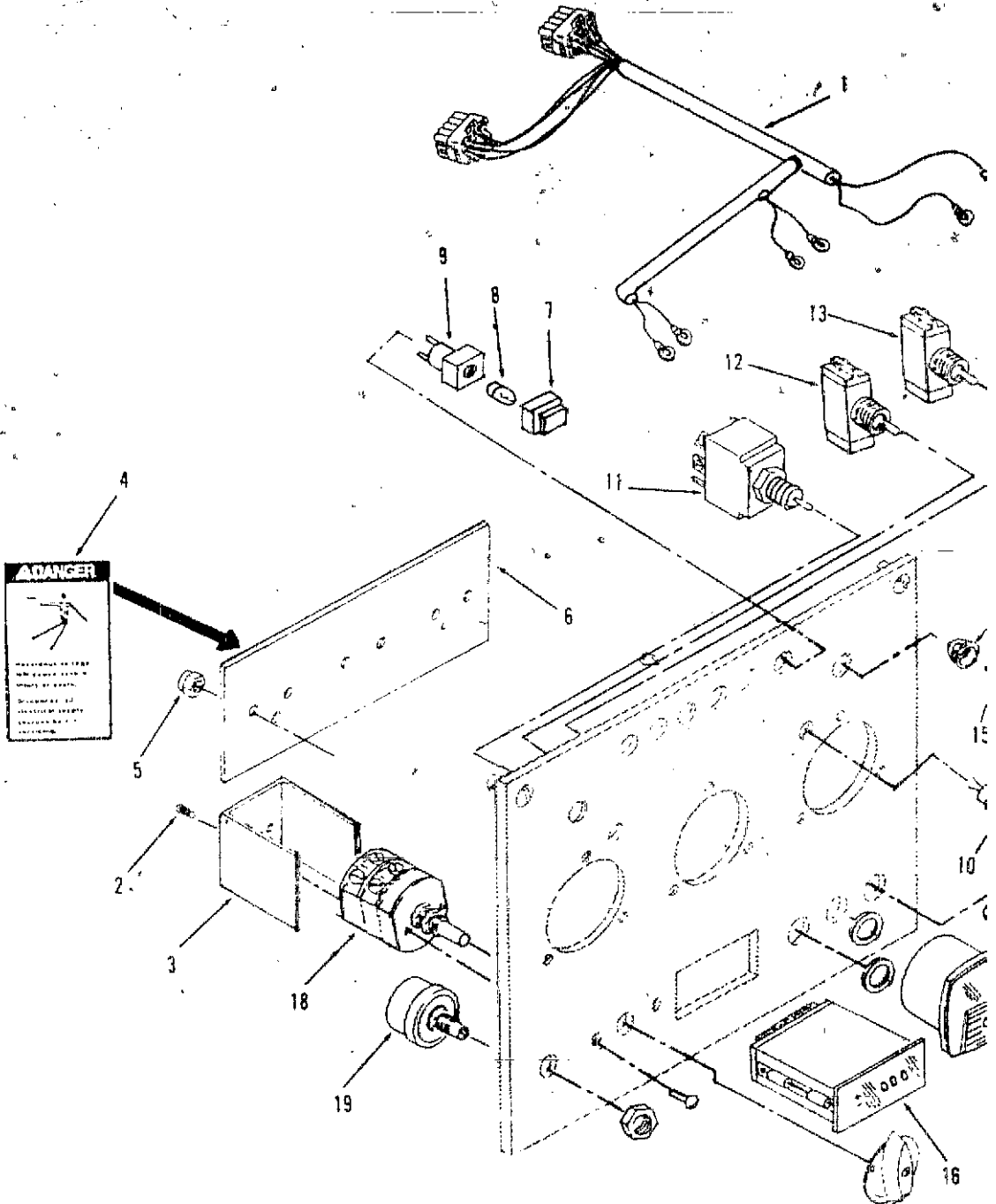


## Generator Control Panel With L E D Indicator Lights

REF NO.	CPS PART NO.	CEC PART NO.	QTY USED	PART DESCRIPTION
1				Harless Wiring (See Separate Pages for Selection and Applications)
2	812-0075		2	Screw, Machine - Round Head (#8-32 x 1/4")
3	300-3523		1	Shield Switch
4	98-5387		1	Decal (Warning)
5	870-0437		7	Nut Acorn - Plastic
6	300-3522		1	Shield Meter
7	870-0451	70646	4	Nut Self-Locking Hex (#8-32)
8	300-3283	3053064	1	Printed Circuit Board 10 LED Lights
9	300-3282	3053063	1	Printed Circuit Board 4 LED Lights
10	300-3281	3053062	1	Printed Circuit Board 2 LED Lights
11				Switch, Toggle
		3015057	1	[AUTOSTART ON/OFF/STANDBY]
		3015058	1	[SYNCHRONIZING]
12		3055738	1	Switch Toggle (ALARM SILENCE)
13		3035149	1	Switch Toggle (PANEL LIGHTS)
14	322-0398	3035010	2	Light Panel (less Bulb)
15	322-0397-01	3035010	2	Bulb Incandescent
16		3056064	2	Lens Clear (SYNCHRONIZING)
17		3056065	2	Bulb Incandescent
18		3056063	2	Socket Light
19	300-0884	3015860	1	Switch Selector (Includes Knob)
20	303-0288	3058451	1	Rheostat
21	302-1860	3056071	1	Wattmeter
22				Meter (TYPICAL)
	302-1856	3015041	1	Voltmeter
	302-1858	3015044	1	Frequency/RPM
				Ammeter (Select as Required)
				DUAL SCALE
	302-1871-05	3049540	1	200/400 AMP
	302-1867	3015035	1	300/600 AMP
	302-1863	3015036	1	400/800 AMP
	302-1871-06	3051478	1	500/1000 AMP
	302-1864	3015037	1	600/1200 AMP
	302-1865	3015038	1	800/1600 AMP
	302-1871-01	3015039	1	1000/2000 AMP
	302-1871-09	3059965	1	1500/3000 AMP
	302-1871-10	3059966	1	2000/4000 AMP
				SINGLE SCALE
	302-1871-02	3015040	1	1200 AMP
	302-1871-03	3015041	1	1600 AMP
	302-1871-04	3015042	1	2000 AMP
	302-1871-07	3051479	1	2500 AMP
	302-1871-08	3051480	1	3000 AMP



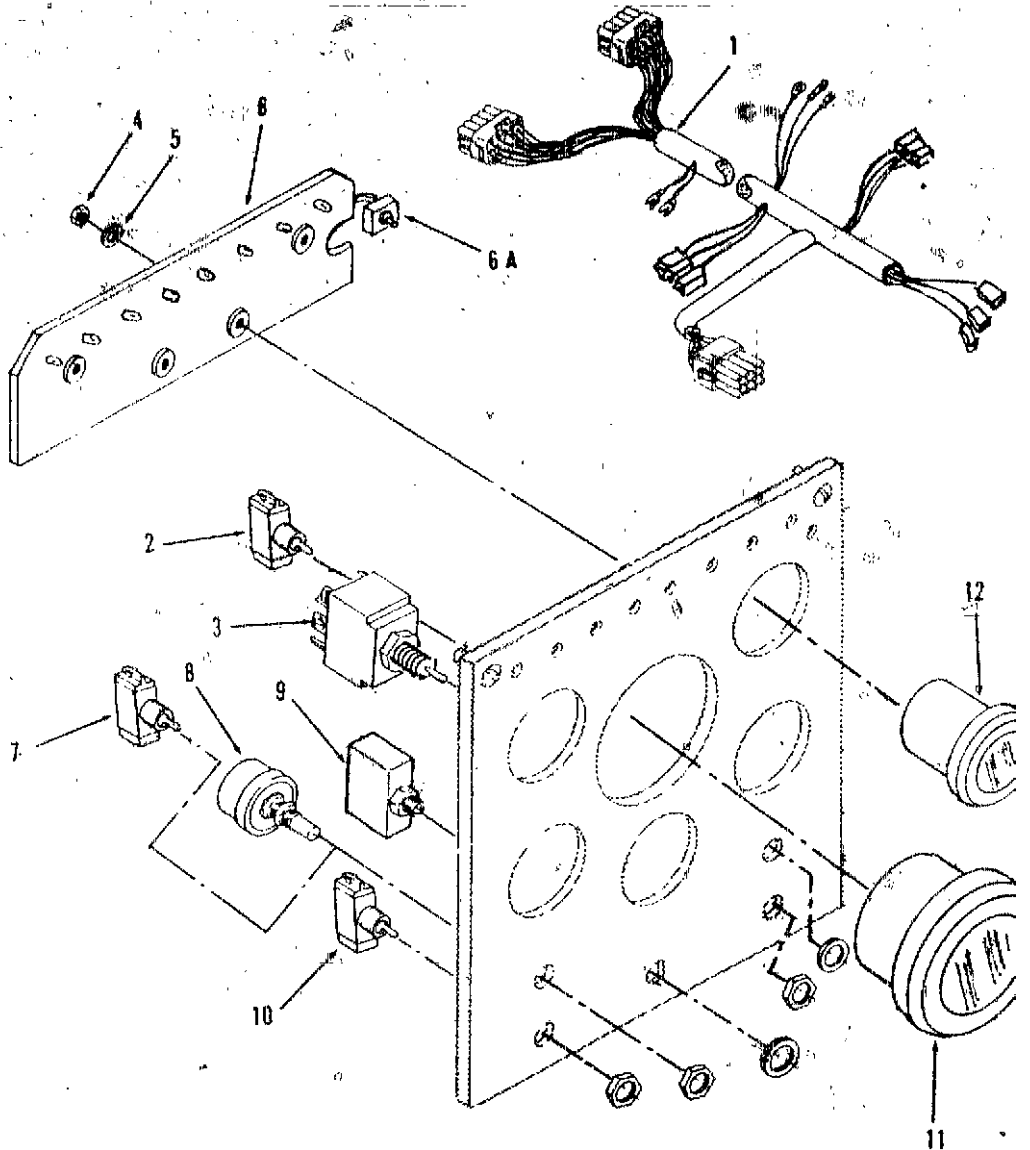
# Generator Control Panel With Bulb Indicator Lights



## Generator Control Panel With Bulb Indicator Lights

REF NO.	CPS PART NO.	CEC PART NO.	QTY USED	PART DESCRIPTION
1				Harness, Wiring (See Separate Pages for Selection and Applications)
2	812-0075		2	Screw, Machine - Round Head (#8-32 x 1/4")
3	306-3523		1	Shield, Switch
4	98-5867		1	Decal (Warning)
5	870-0437		7	Nut, Acorn - Plastic
6	306-3522		1	Shield, Meters
7				Lens, Indicator Light
		3018795	4	Orange
		3018796	1	Red
		3018797	1	Green
		3018798	2	White (SYNCHRONIZING)
8		3018799	8	Bulb, Incandescent
9				Socket & Socket with Switch
		3018800	7	Socket, Light
		3014667	1	Socket, Light with Push Switch
10		3015133	2	Light, Indicator - Red Lens (UPPER/LOWER SCALE INDICATING)
11				Switch, Toggle
		3045057	1	(AUTOSTART-ON/OFF/STANDBY)
		3015058	1	(SYNCHRONIZING)
12		3055738	1	Switch, Toggle (ALARM SILENCE)
13		3035149	1	Switch, Toggle (PANEL LIGHTS)
14	322-0398	3035016	2	Light, Panel (Less Bulb)
15	322-0397-01	3035018	2	Bulb, Incandescent
16		3015018	1	Wattmeter
17				Meter
	302-1856	3015043	1	Voltmeter
	302-1858	3015044	1	Frequency/RPM
				Ammeter (Select as Required)
				DUAL SCALE
	302-1871-05	3039530	1	200/400 AMP
	302-1862	3015035	1	300/600 AMP
	302-1863	3015036	1	400/800 AMP
	302-1871-06	3051478	1	500/1000 AMP
	302-1864	3015037	1	600/1200 AMP
	302-1865	3015038	1	800/1600 AMP
	302-1871-01	3015039	1	1000/2000 AMP
	302-1871-09	3059965	1	1500/3000 AMP
	302-1871-10	3059966	1	2000/4000 AMP
				SINGLE SCALE
	302-1871-02	3015040	1	1200 AMP
	302-1871-03	3015041	1	1500 AMP
	302-1871-04	3015042	1	2000 AMP
	302-1871-07	3051479	1	2500 AMP
	302-1871-08	3051480	1	3000 AMP
18	308-0884	3015850	1	Switch, Selector (Includes Knob)
19	303-0288	3058451	1	Rheostat

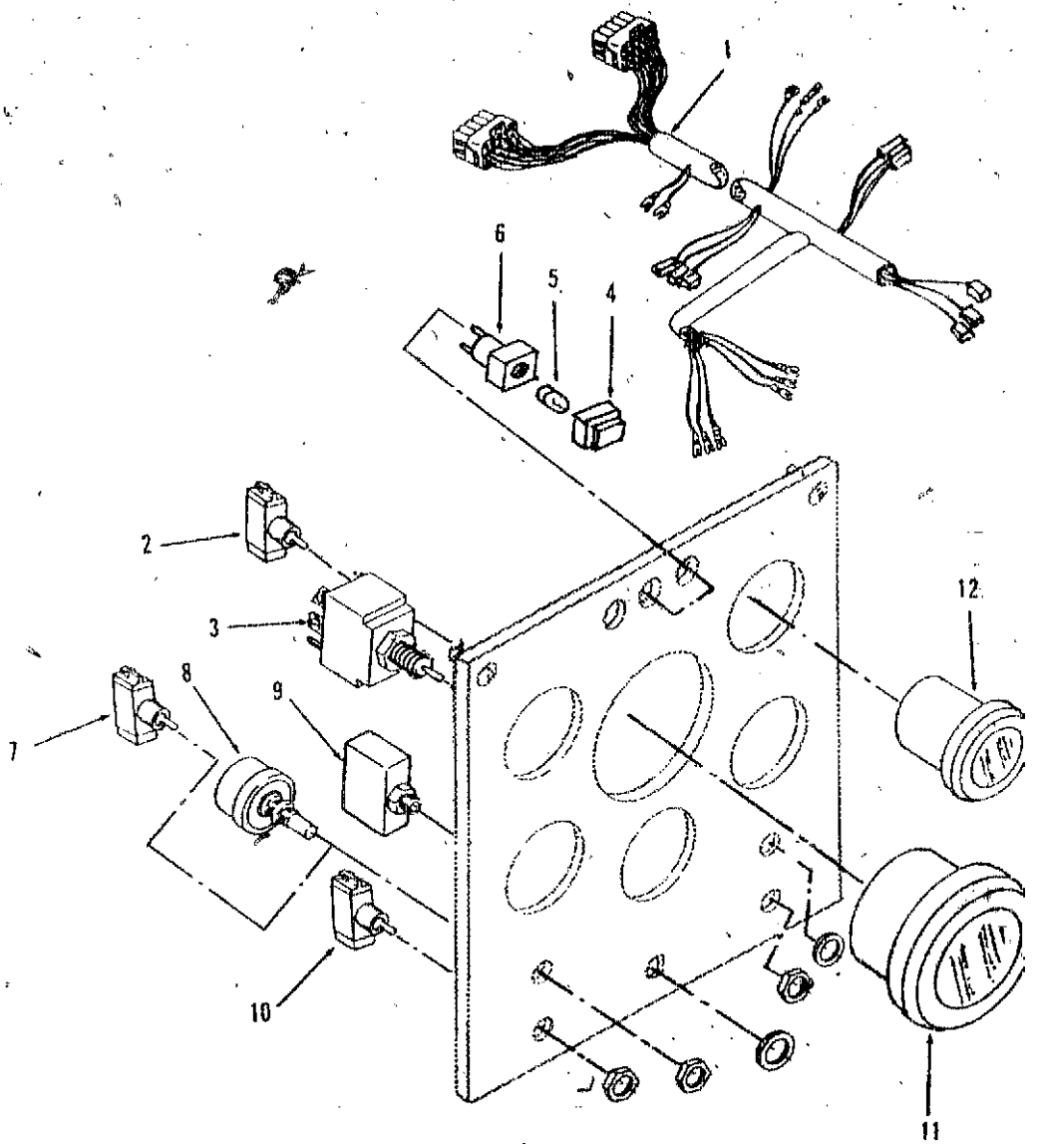
# Engine Control Panel With L E D Indicator Lights



## Engine Control Panel, With L E D Indicator Lights

REF NO.	CPS PART NO.	CEC PART NO.	QTY USED	PART DESCRIPTION
1	338-2252	3053044	1	Harness, Wiring (Includes items 2 & 3)
2		3055486	1	Switch, Toggle (CRANK)
3		102057	1	Switch, Toggle (START/RUN/OFF)
4	870-0451	70646	4	Nut, Self-Locking - Hex (#8-32)
5	526-0352	128006	4	Washer, Flat (3/16")
6				Printed Circuit Board (Includes Test Lamp Switch)
	300-3279	3053060	1	5 L E D Indicator Lights
	300-3280	3053061	1	8 L E D Indicator Lights
6A		3055488	1	Switch, Toggle (LAMP TEST)
7		3015055	1	Switch, Toggle (RAISE/LOWER)
8	303-0290	3015105	1	Potentiometer (SPEED ADJUST)
9	320-1616	3034953	1	Circuit Breaker
10	308-0885-02	104215	1	Switch, Toggle (RUN/IDLE)
11	302-1855	3031734	1	Tachometer
12				Gauge/Meter
	193-0400-01	3015232	1	Gauge, Pressure - Oil
	193-0401-01	3015233	1	Gauge, Temperature - Oil
	193-0402-01	3015234	1	Gauge, Temperature - Water
	302-1857-01	3015235	1	Voltmeter
	302-1859-01	3035766	1	Hourmeter

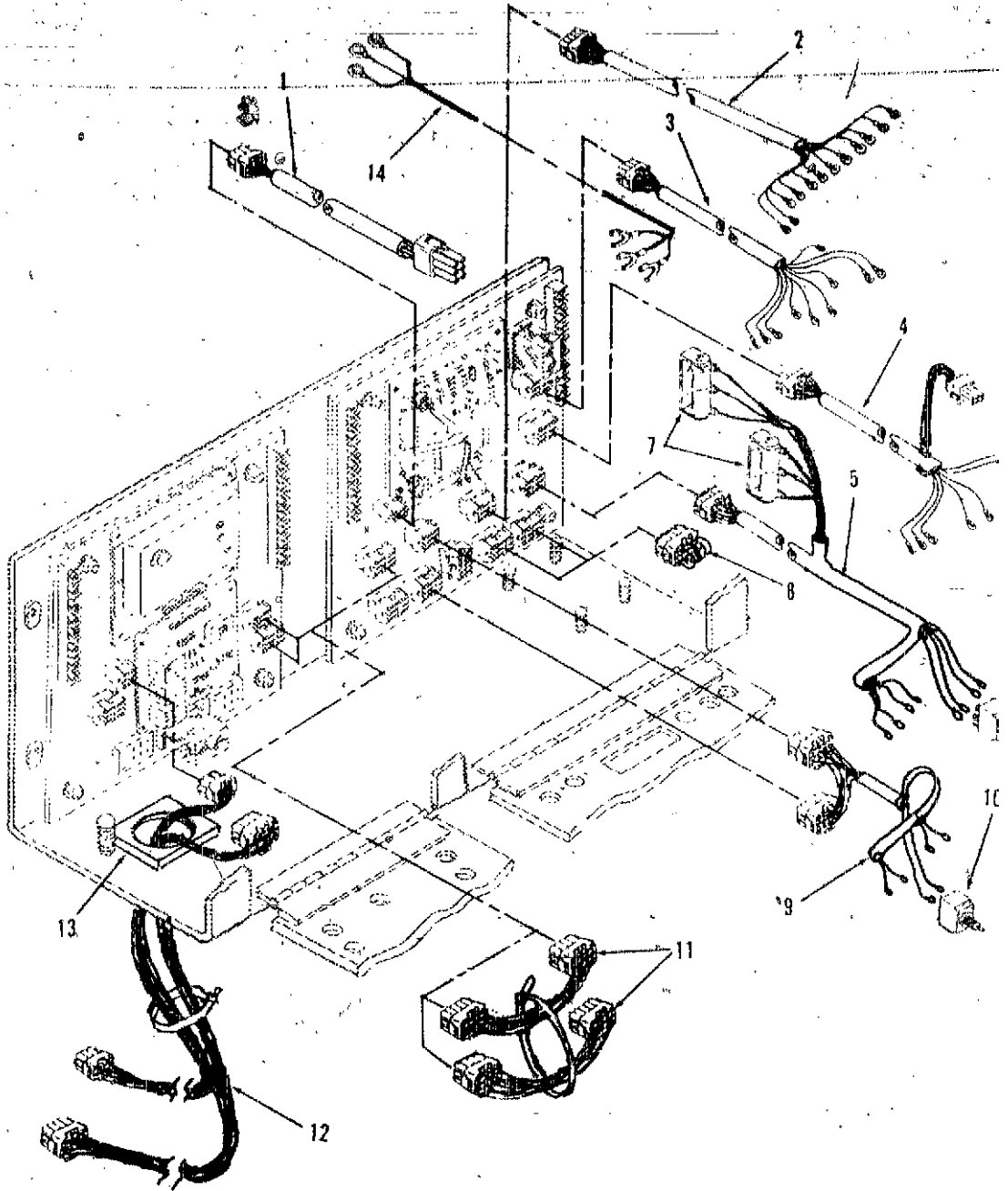
Engine Control Panel  
With Bulb Indicator Lights



## Engine Control Panel With Bulb Indicator Lights

REF NO.	CPS PART NO.	CEC PART NO.	QTY. USED	PART DESCRIPTION
1		3035126	1	Harness, Wiring (Includes items 2 & 3)
2		3055486	1	Switch, Toggle (CRANK)
3		102057	1	Switch, Toggle (START/RUN/OFF)
4		3018795	3	Lens, Light (ORANGE)
5		3018799	3	Bulb, Light
6		3018800	3	Socket, Light
7		3015055	1	Switch, Toggle (RAISE/LOWER)
8	303-0290	3015105	1	Potentiometer (SPEED ADJUST)
9	320-1016	3034953	1	Circuit Breaker
10	308-0885-02	104215	1	Switch, Toggle (RUN/IDLE)
11	302-1855	3031734	1	Tachometer
12				Gauge or Meter
	193-0400-01	3015232	1	Gauge, Pressure - Oil
	193-0401-01	3015233	1	Gauge, Temperature - Oil
	193-0402-01	3015234	1	Gauge, Temperature - Water
	302-1857-01	3015235	1	Voltmeter
	302-1859-01	3035766	1	Hourmeter

Set Control - Wiring Harnesses  
(Sets With LED Indicator Lights)

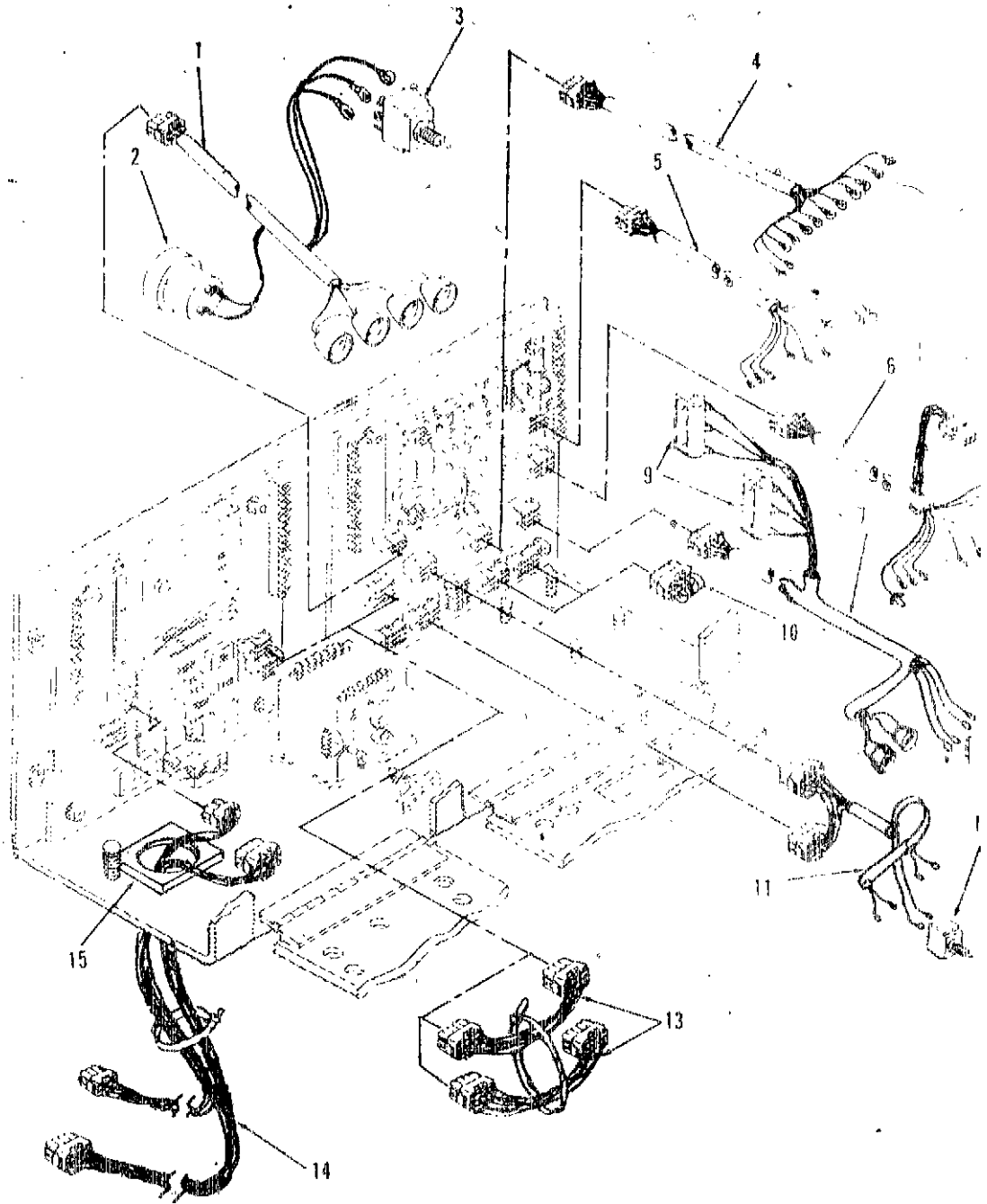


**Set Control - Wiring Harnesses  
(Sets With LED Indicator Lights)**

REF NO.	CPP PART NO.	CEC PART NO.	QTY USED.	PART DESCRIPTION
1	338-2255	3053048	1	Harness, Wiring (PCB TO LED PCB)
2	338-2258	3056066	1	Harness, Wiring (PCB TO WATTMETER)
3	338-2250	3035147	1	Harness, Wiring (PCB TO VOLT/AMP SELECTOR SWITCH)
4	338-2253	3053046	1	Harness, Wiring (PCB TO AC METER)
5	338-2383	3053033	1	Harness, Wiring (PCB TO RESISTORS AND SYNCHRONIZING SWITCH; Includes The Resistors and Switch)
6		3015058	1	Switch, Toggle (SYNCHRONIZING)
7		3055739	2	Resistor, Wirewound with Mounting Bracket Attaching Parts for Resistor
	860-0003	3043636	4	Nut, Hex
	850-0010	3043637	4	Washer, Lock - Spring
8	338-2312	3056089	2	Harness, Wiring (HIGH/LOW WYE ADAPTER)
9	338-2256	3056061	1	Harness, Wiring (PCB TO PANEL LIGHTS AND SWITCH. Includes The Switch)
10		3035149	1	Switch, Toggle (PANEL LIGHTS)
11	338-2248	3035132	1	Harness Assembly, Wiring (ENGINE CONTROL PCB TO GENERATOR CONTROL PCB)
12				Harness Assembly, Wiring - With Shielded Leads (ENGINE WIRING HARNESS TO ENGINE CONTROL PCB, Select Length as Applicable)
	338-2301-01	3053037	1	5 3 Feet
	338-2301-02	3053038	1	7.3 Feet
	338-2301-03	3053039	1	9.3 Feet
	338-2301-04	3053040	1	11 3 Feet
	338-2301-05	3053041	1	15 3 Feet
	338-2301-06	3053042	1	25 3 Feet
	338-2301-07	3053043	1	50 0 Feet
	338-2301-08	3057046	1	1 3 Feet
13	331-0525	204494	1	Gasket, Conduit
14	338-2251	3044442	1	Harness, Wiring (PCB TO GEN TERMINAL BLOCK)



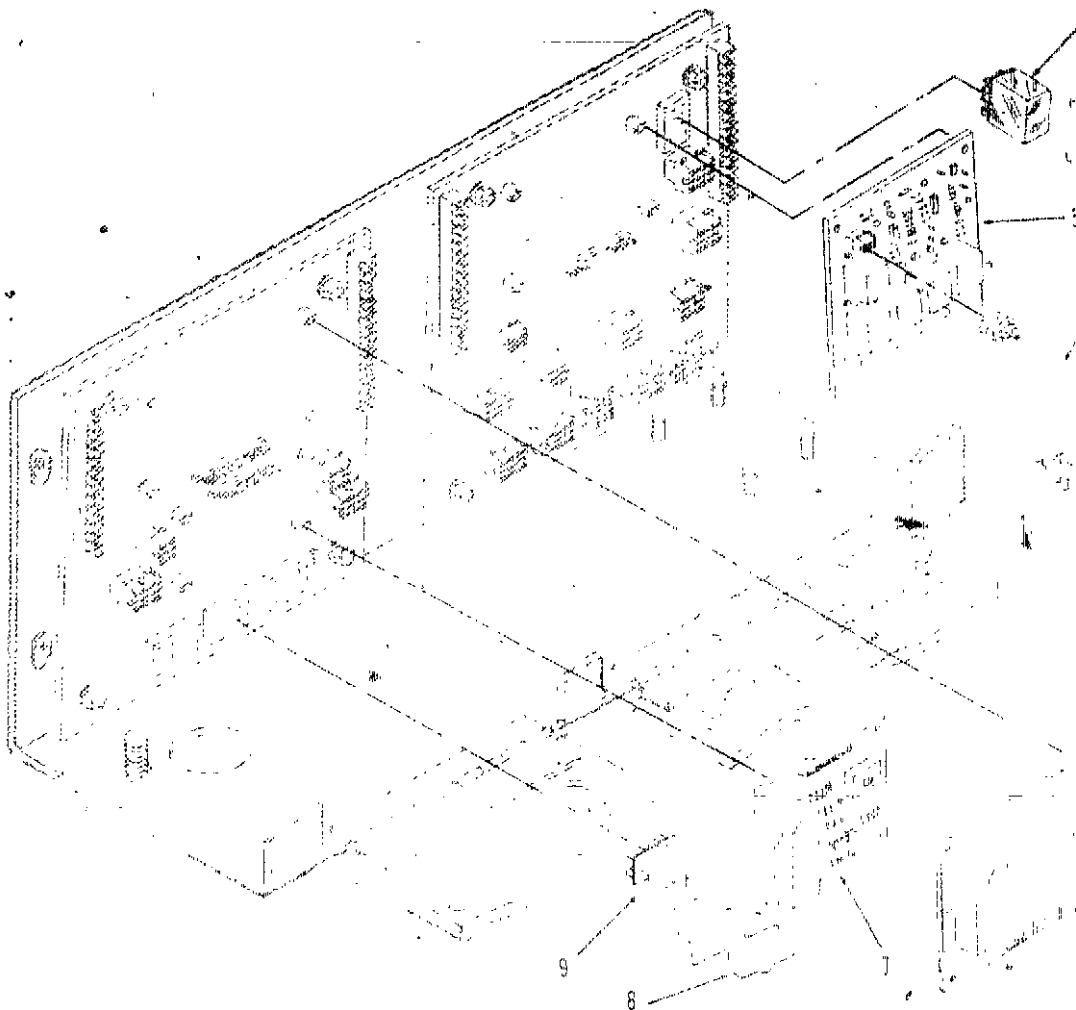
# Set Control - Wiring Harnesses (Sets With Bulb Indicator Lights)



**Set Control - Wiring Harnesses  
(Sets With Bulb Indicator Lights)**

REF NO.	CPS PART NO.	CEC PART NO.	QTY USED	PART DESCRIPTION
1		3035145	1	Harness, Wiring (PCB TO HORN, SWITCH AND INDICATOR LIGHTS; Includes The Horn and Switch)
2		3015118	1	Horn, Electrical - 24 VDC
3		3015056	1	Switch, Toggle (ALARM SILENCE)
4		3035142	1	Harness, Wiring (PCB TO WATT TRANSDUCER)
5	338-2250	3035147	1	Harness, Wiring (PCB TO VOLT/AMP SELECTOR SWITCH)
6		3035144	1	Harness, Wiring (PCB TO AC METER AND RED INDICATOR LIGHTS; Includes Red Indicator Lights)
7		3035146	1	Harness, Wiring (PCB TO RESISTORS, SYNCHRONIZING LIGHTS AND SWITCH; Includes The Resistors and Switch)
8		3015058	1	Switch, Toggle (SYNCHRONIZING)
9		3015109	2	Resistor, Wirewound with Mounting Bracket
				Attaching Parts for Resistor
	860-0003	3043636	4	Nut, Hex (#5-40)
	850-0010	3043637	4	Washer, Lock - Spring (#4)
10	338-2249	3035140	2	Harness, Wiring (HIGH/LOW WYE ADAPTER)
11	338-2256	3056061	1	Harness, Wiring (PCB TO PANEL LIGHTS AND SWITCH, Includes The Switch)
12		3035149	1	Switch, Toggle (PANEL LIGHTS)
13	338-2248	3035132	1	Harness Assembly, Wiring (ENGINE CONTROL PCB TO GENERATOR CONTROL PCB)
14				Harness Assembly, Wiring (ENGINE WIRING HARNESS TO ENGINE CONTROL PCB, Select Length as Applicable)
	338-2276-01	3035127	1	5.3 Feet
	338-2276-02	3035128	1	7.3 Feet
	338-2276-03	3035129	1	9.3 Feet
	338-2276-04	3035130	1	11.3 Feet
	338-2276-05	3035131	1	15.3 Feet
13	331-0525	204494	1	Gasket, Conduit

Set Control - Internal Components  
(Sets With LED Indicator Lights)



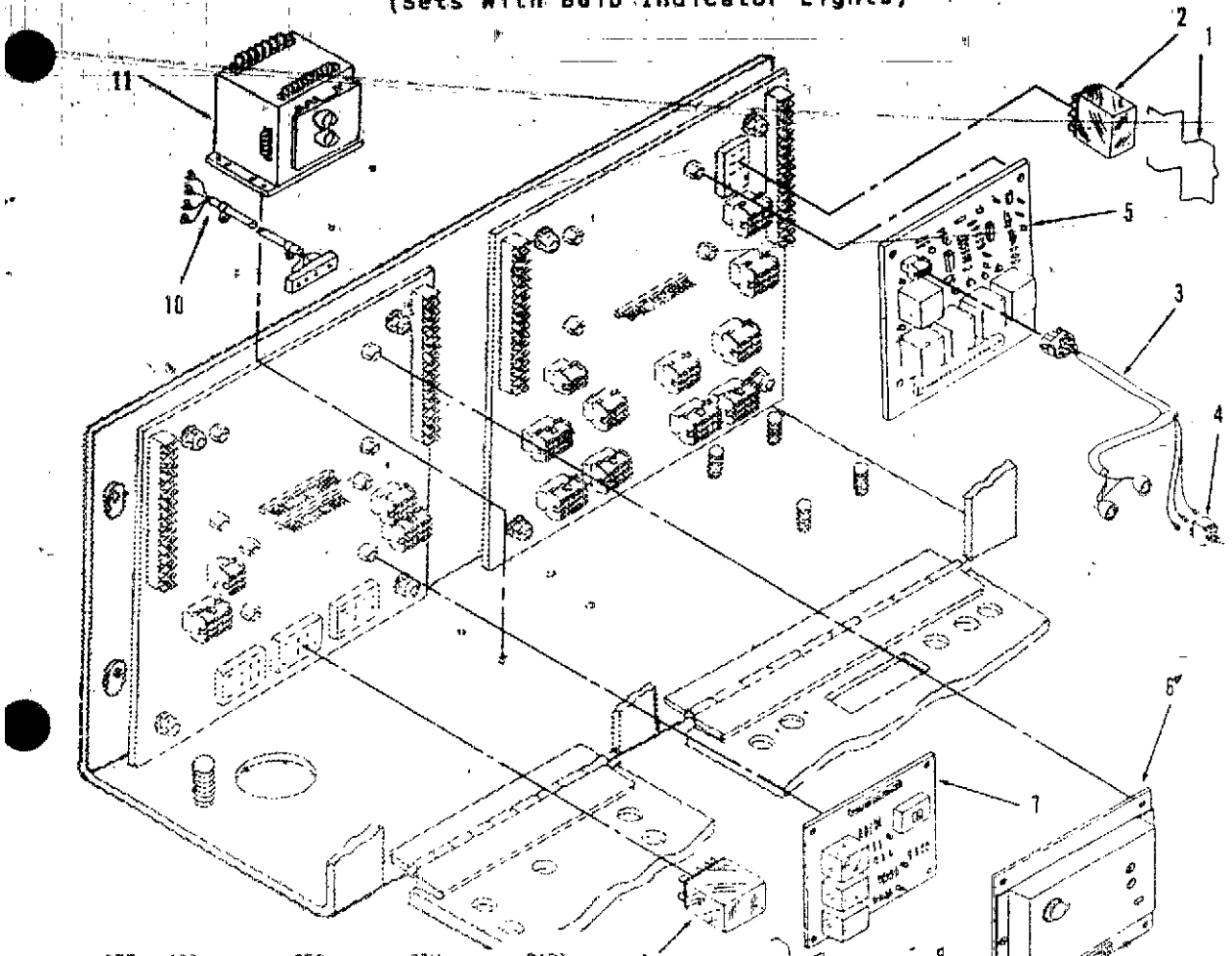
REF NU	CPL PART NO	CLC PART NO	QTY USED	PART DESCRIPTION
1	307-2623	3034967	1	Relay - Relay
2	307-2622	3034968	1	Relay
3	338-2254	3034967	1	Hammer Wiring - Automatic (1/2" Dia) Switch
4		3034967	1	Switch (Toggle - Automatic)
5	300-3077	3034967	1	Board - Printed Circuit - Automatic
				Attaching Parts for Board
	815-0802	70310	4	Screw, Machine - Pan Head - #2-1/2 x 3/16"
	850-1020	70262	4	Washer - Lock - Spring (#6)
6	151-0683 03	3034967	1	Control - Governor
				Attaching Parts for board
	815-0802	70310	4	Screw, Machine - Pan Head - #2-1/2 x 3/16"
	850-1020	70262	4	Washer - Lock - Spring (#6)
7	300-0574	3034967	1	Control - Governor
				Attaching Parts for Board
	815-0802	70310	4	Screw, Machine - Pan Head - #2-1/2 x 3/16"
	850-1020	70262	4	Washer - Lock - Spring (#6)
8	307-2623	3034967	1	Relay - Relay
9	307-2684	3034962	1	Relay



Power  
Generation

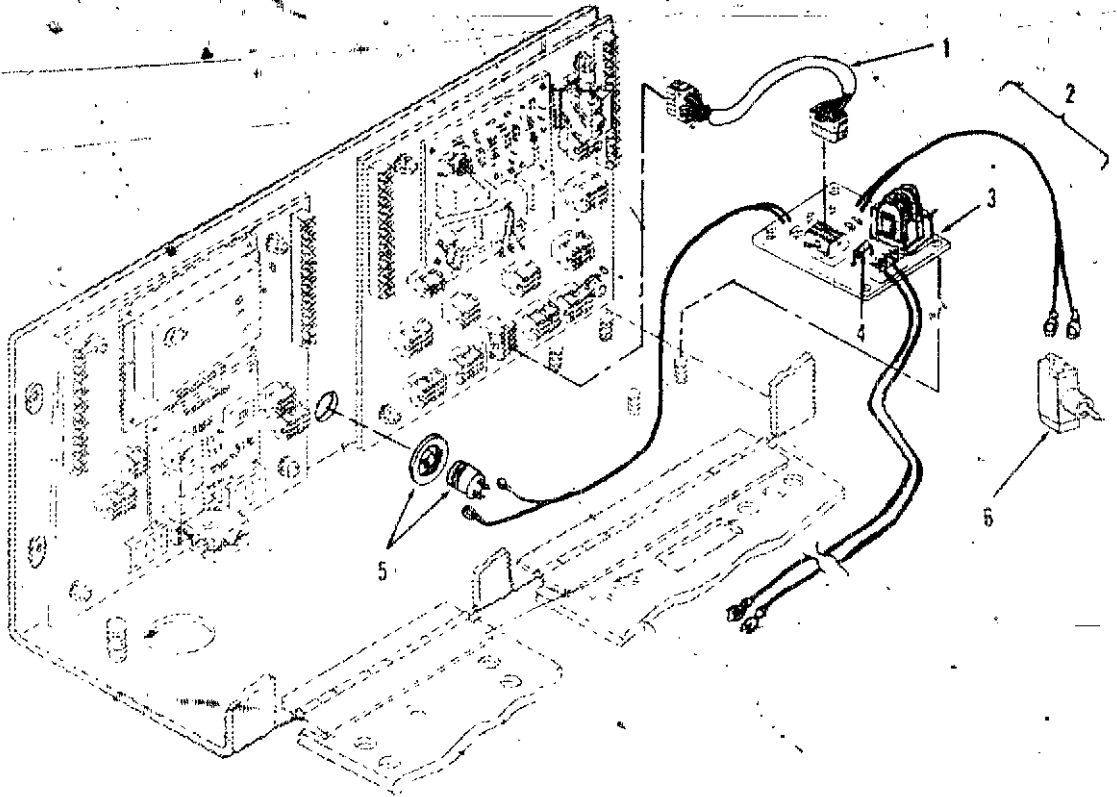
Redistribution or publication of this document  
by any means, is strictly prohibited.

## Set Control - Internal Components (Sets With Bulb Indicator Lights)



REF NO	CPP PART NO	CEC PART NO	QTY. USED	PART DESCRIPTION
1	307-2623	3034957	1	Retainer, Relay
2	307-2622	3034958	1	Relay
3		3025143	1	Harness, Wiring - AutoStart to Bulbs (Includes Switch)
4		3015057	1	Switch, Toggle (AutoStart)
5	300-3277	3058341	1	Board, Printed Circuit - AutoStart
6				Attaching Parts for Board
	815-0802	70310	4	Screw, Machine - Pan head (#6-32 x 3/8)
	850-1020	70262	4	Washer, Lock - Spring (#6)
8	151-0682-03	3062323	1	Control, Governor
				Attaching Parts for Board
	815-0802	70310	4	Screw, Machine - Pan Head (#6-32 x 3/8)
	850-1020	70262	4	Washer, Lock - Spring (#6)
7	309-0574	3036453	1	Control, Overspeed
				Attaching Parts for Board
	815-0802	70310	4	Screw, Machine - Pan head (#6-32 x 3/8)
	850-1020	70262	4	Washer, Lock - Spring (#6)
9	307-2623	3034957	1	Retainer, Relay
9	307-2684	3034962	1	Relay
10		3015019	1	Harness Wiring - Transducer to Wattmeter
				Attaching Parts
		3018792	2	Screw, Self-Tapping - Round head
11		3015017	1	Transducer, Watt
				Attaching Parts

## Set Control - Alarm Module



REF NO.	CPS PART NO	CEC PART NO	QTY USED	PART DESCRIPTION
1	338-2257	3056062	1	Harness, Wiring - Alarm Board to Gen Control Board
2				Module, Alarm (Includes PC Board, Horn, Switch and Electrical Leads to Horn, Switch and Generator Terminal Board)
	300-3286	3054296	1	Sets with Four Fault Indicators
	300-3287	3054237	1	Sets with Six Fault Indicators
3	Note 1	Note 2	1	Board, Printed Circuit - Alarm Module (Includes Fuse)
	Note 1	Note 2	1	Sets with Four Fault Indicators
				Sets with Six Fault Indicators
				Attaching Parts for Board
	870-0451	70646	4	Nut, Self-locking - Hex. (#8-32)
	526-0352	128008	4	Washer, Flat (#8/16")
4	Note 3	3062691	1	Fuse
5	333-0405-02	149806	1	Horn, Electrical - 24VDC
6	Note 3	3055738	1	Switch, Toggle

NOTES: 1. Not stocked as replacement item. order applicable item 2 for replacement  
 2. Not Stocked as replacement item. order applicable item 2 for replacement  
 3. Not stocked as replacement item.



**Power Generation**

Redistribution or publication of this document by any means, is strictly prohibited.