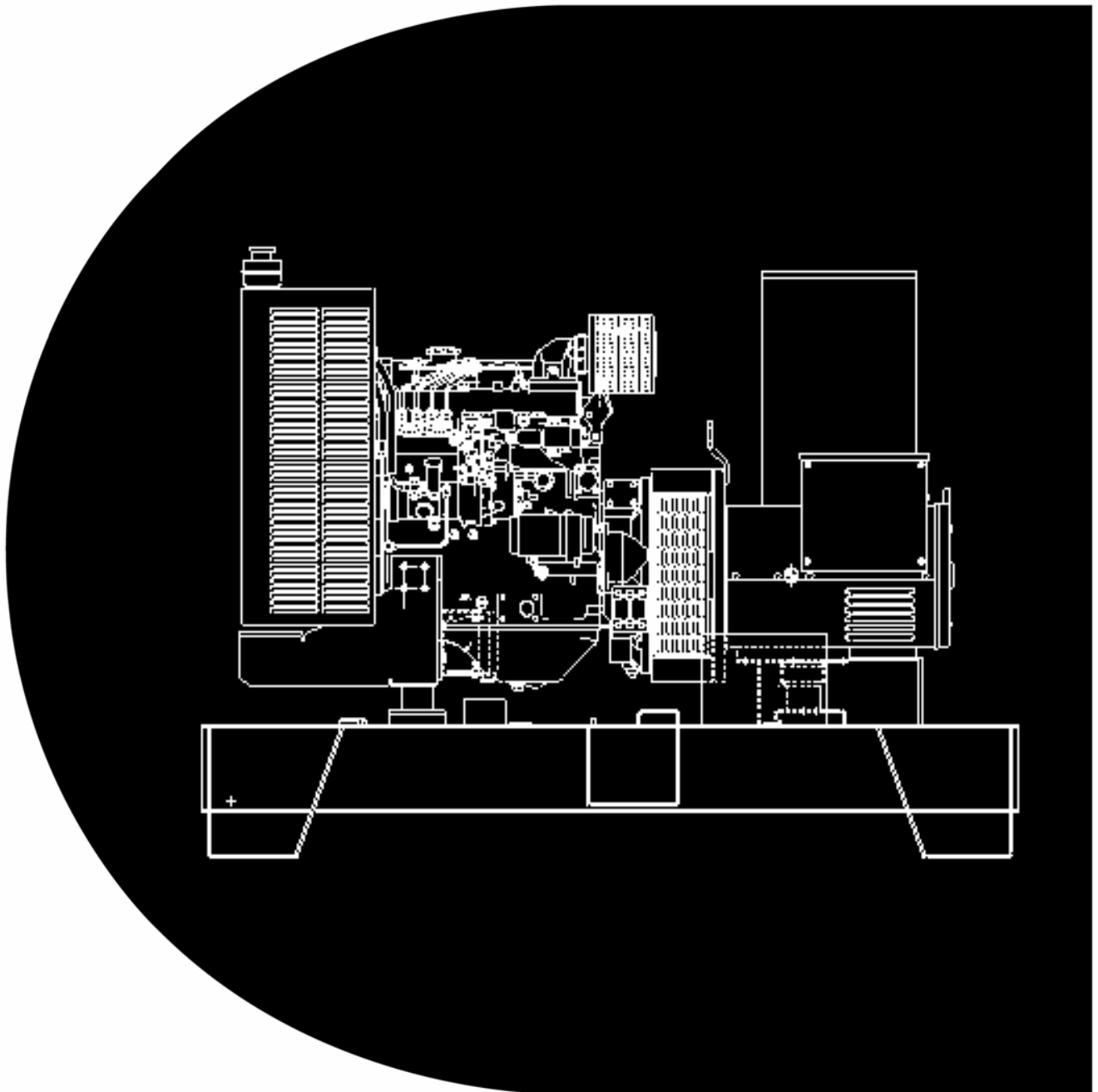


Parts Catalogue

SINGLE PHASE GENERATING SET

Models: C22D5, C25D6.

With PCC 0300 Controller.

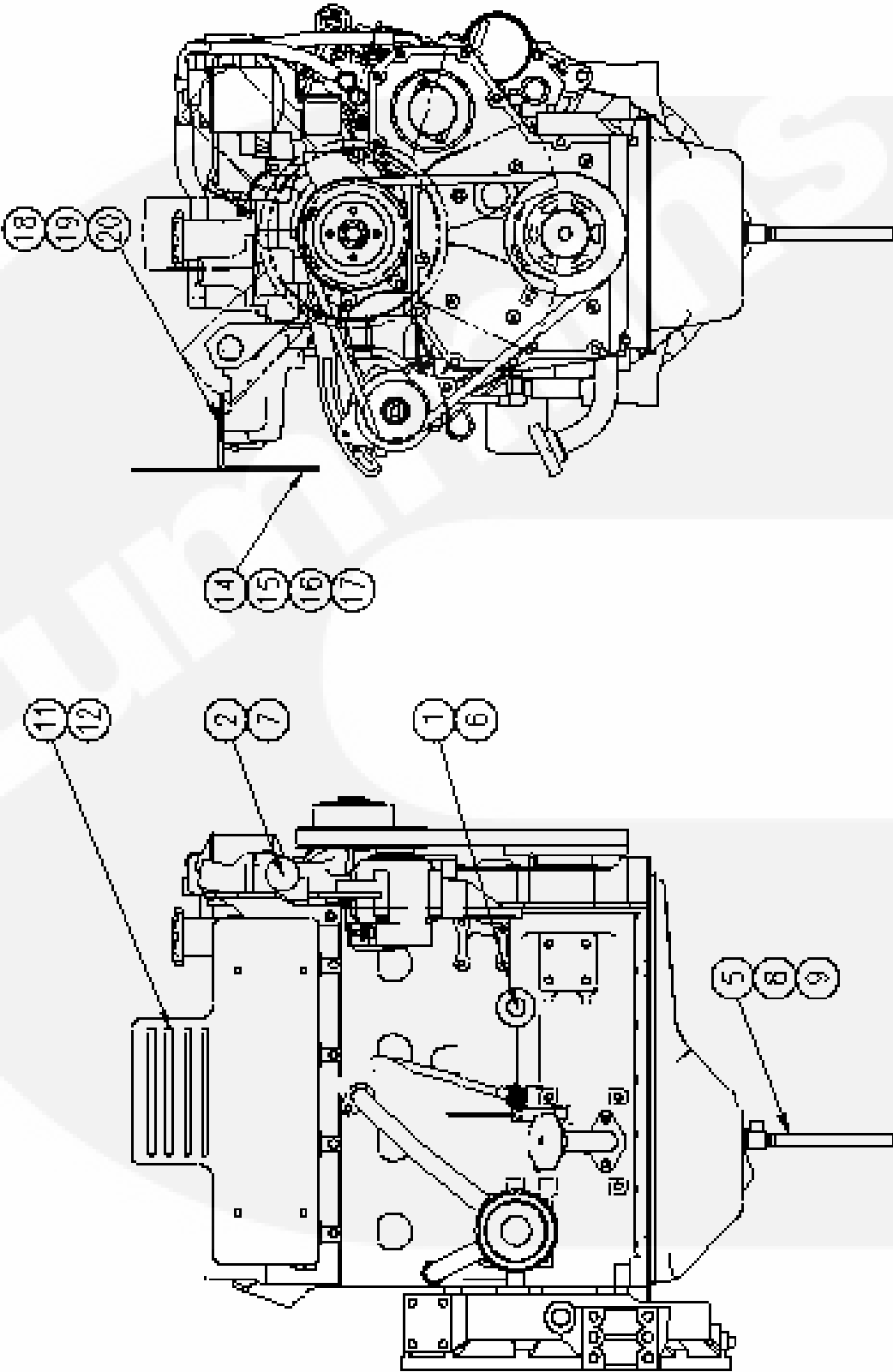


CONTENTS

0100-3985	Engine-Accessories	2
0179-4915	Circuit Breaker Instl (MCB)	4
0179-4900	Circuit Breaker Instl (MCCB)	6
0179-3782	Air Cleaner Instl	8
0179-3998	Muffler Instl - Enclosure	10
0179-4636	Skid Assy (With Tank)	12
0179-4489	Radiator Instl	14
0179-4498	Genset Instl (SRF Radiator)	16
0179-3786	Heater Instl	18
0179-4468	Battery Charger Instl	20
0300-6031	Control Assy	22
0405-9086	Enclosure Assy	24
0541-1161	Muffler – Loose (Option)	26

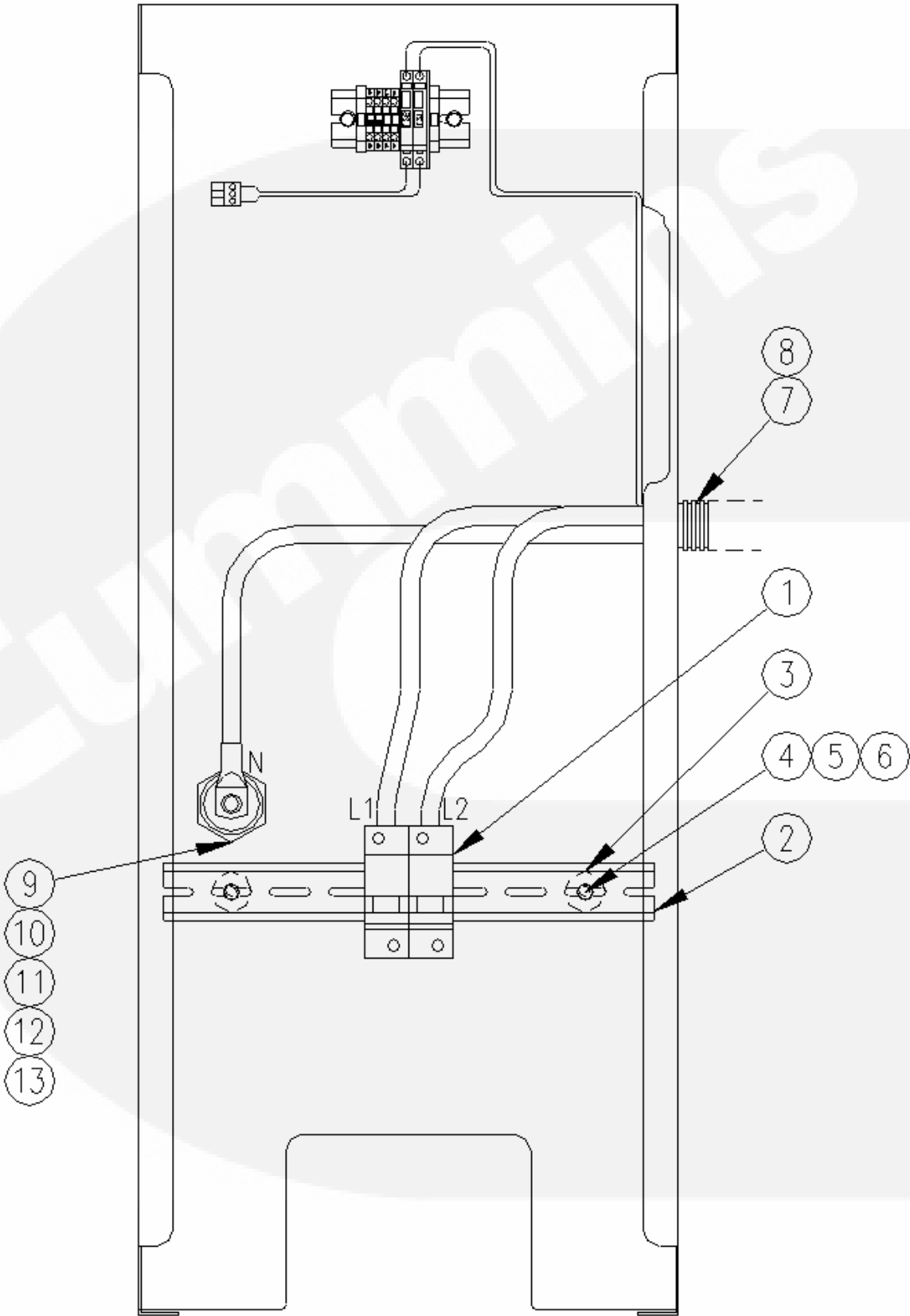


Engine Accessories



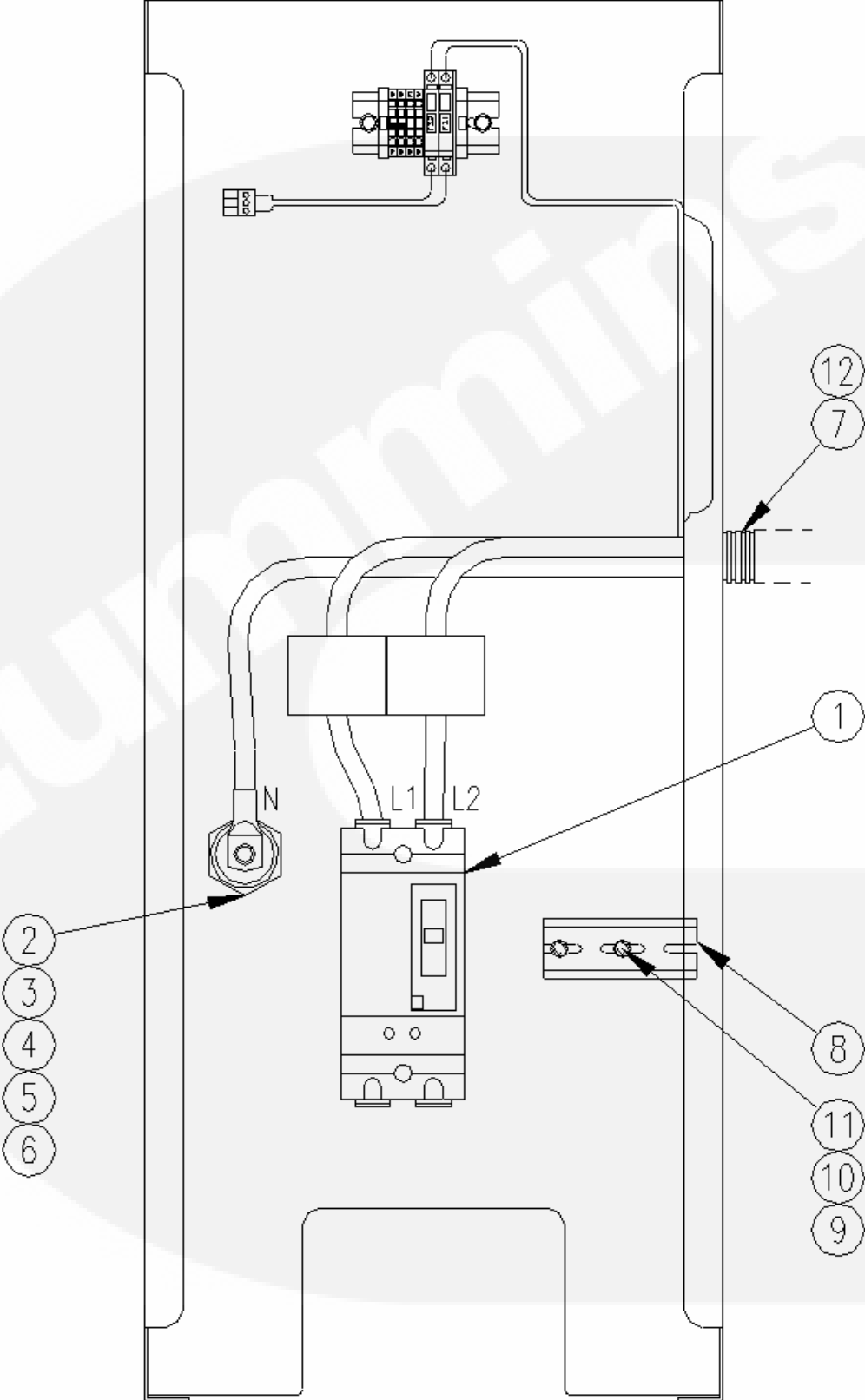
ITEM	PART NUMBER	DESCRIPTION	QTY
1	0309-0641-19	Switch-Pressure	1
2	0309-0436	Thermostat	1
3	0337-3583-03	Strap-Ground	2
4	0338-4646	Harness-Engine	1
5	0504-0267	Valve-Ball M22 lock	1
6	0505-2235	Adaptor-Pipe	1
7	0505-0019	Bushing-Reducer	1
8	0503-0685	Clamp-Hose (6mm-16mm)	1
9	0503-1620	Hose-Fuel (3/8" ID X 5/8" OD)	1
11	0155-4311-02	Guard-Exhaust	1
12	0155-4312-02	Guard-Exhaust (Support)	2
13	0526-0399-60	Washer-Flat (M8)	8
14	0800-3017-19	Screw-Hex Head (M8 X 20)	4
15	0850-0114-54	Washer-Lock (M8)	4
16	0862-0026-55	Nut-Hex (M8)	4
17	0526-0399-62	Washer-Flat (M10)	2
18	0800-3017-37	Screw-Hex Head (M10 X 25)	2
19	0850-0114-55	Washer-Lock (M10)	2
20	0100-3922	Engine-B3.3G1	1

Circuit Breaker (MCB)



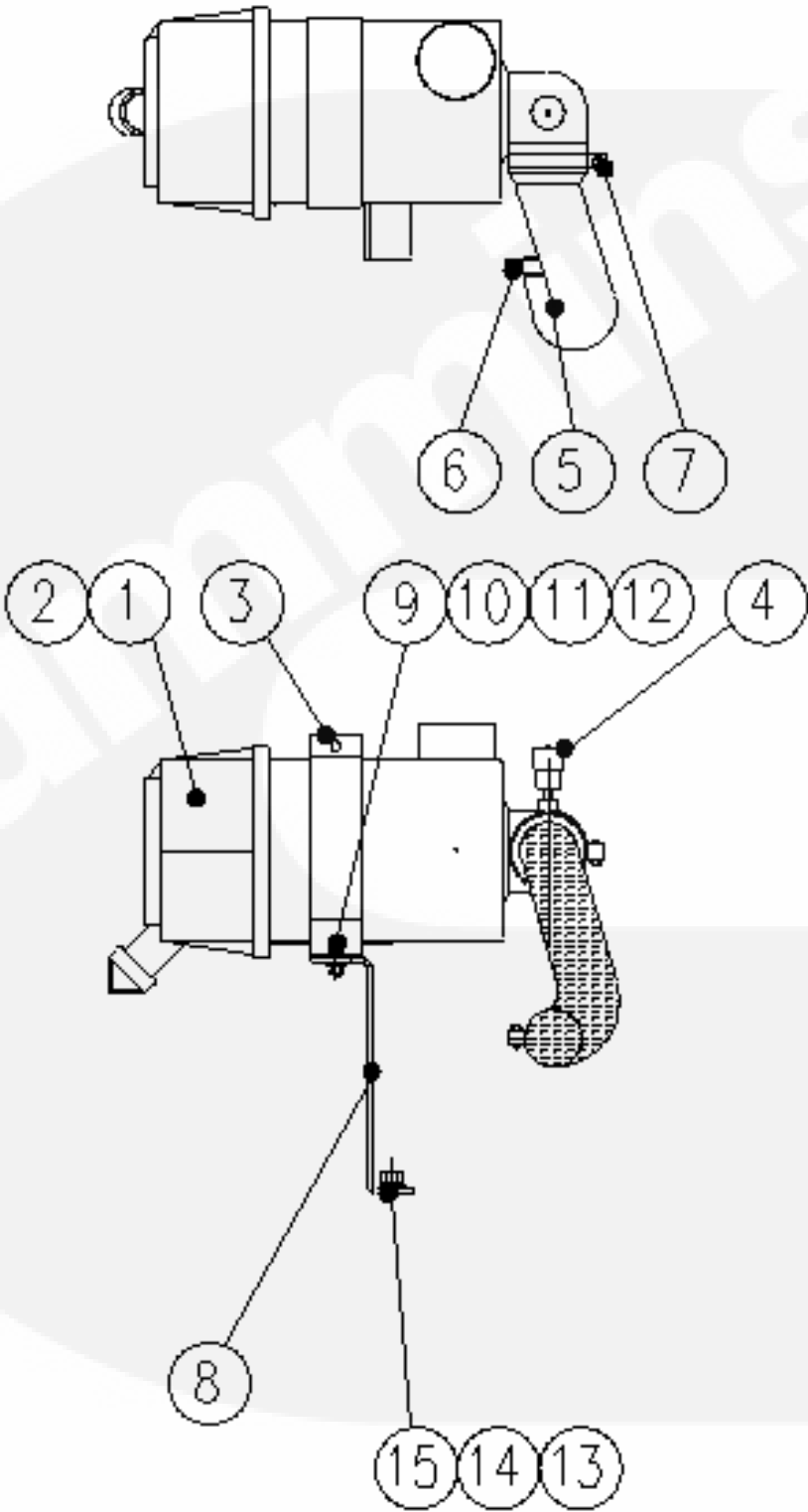
ITEM	PART NUMBER	DESCRIPTION	QTY
1	0320-2222-10	Circuit Breaker 100A 2P, C22D5, IEC Approved	1
1	0320-2222-11	Circuit Breaker 125A 2P, C25D6, IEC Approved	1
2	0332-4001-01	Rail-Terminal Block (300mm)	1
3	0872-0020-01	Standoff	2
4	0526-0399-56	Washer-Flat (M5)	2
5	0800-0309-93	Screw-Hex Head (M5)	2
6	0850-0114-52	Washer-Lock (M5)	2
7	0338-4821-01	Harness AC (50Hz)	1
7	0338-4821-02	Harness AC (60Hz)	1
8	0331-0618-02	Locknut Conduit	2
9	0872-0021	Standoff	1
10	0526-0399-62	Washer Flat (M10)	2
11	0800-3017-35	Screw HHC (M10)	1
12	0850-0114-55	Washer Lock (M10)	2
13	0862-0026-56	Nut Hex (M10)	1
14	0320-2225-02	Accessories-CB (SD Contact)	1
15	0320-2225-01	Accessories-CB (Shunt Trip)	1

Circuit Breaker (MCCB)



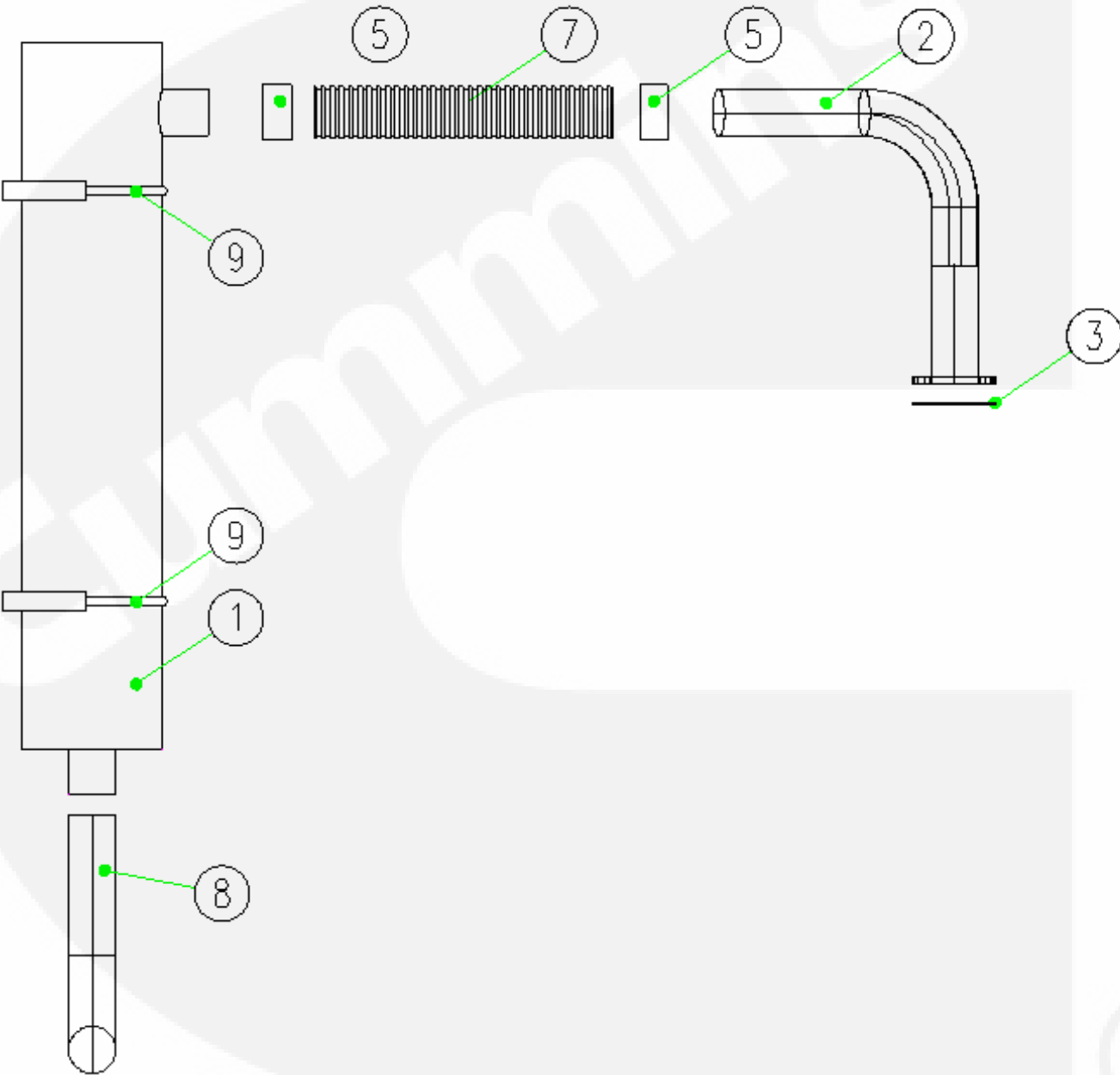
ITEM	PART NUMBER	DESCRIPTION	QTY
1	0320-2406-14	Circuit Breaker 110A 2P, C25D6, UL Approved	1
1	0320-2405-15	Circuit Breaker 125A 2P, C25D6, UL Approved	1
2	0332-4001-02	Rail-Terminal Block	1
4	0526-0399-56	Washer-Flat (M5)	2
5	0800-0309-93	Screw-Hex Head (M5)	2
6	0850-0114-52	Washer-Lock (M5)	2
7	0338-4821-01	Harness AC (50Hz)	1
8	0331-0618-02	Locknut Conduit	2
9	0872-0021	Standoff	1
10	0526-0399-62	Washer Flat (M10)	2
11	0800-3017-35	Screw HHC (M10)	1
12	0850-0114-55	Washer Lock (M10)	2
13	0862-0026-56	Nut Hex (M10)	1
14	0320-1981-01	Accessories-CB (SPDT Switch)	1
15	0320-1981-02	Accessories-CB (12 VDC Shunt Trip)	1

Air Cleaner Instl



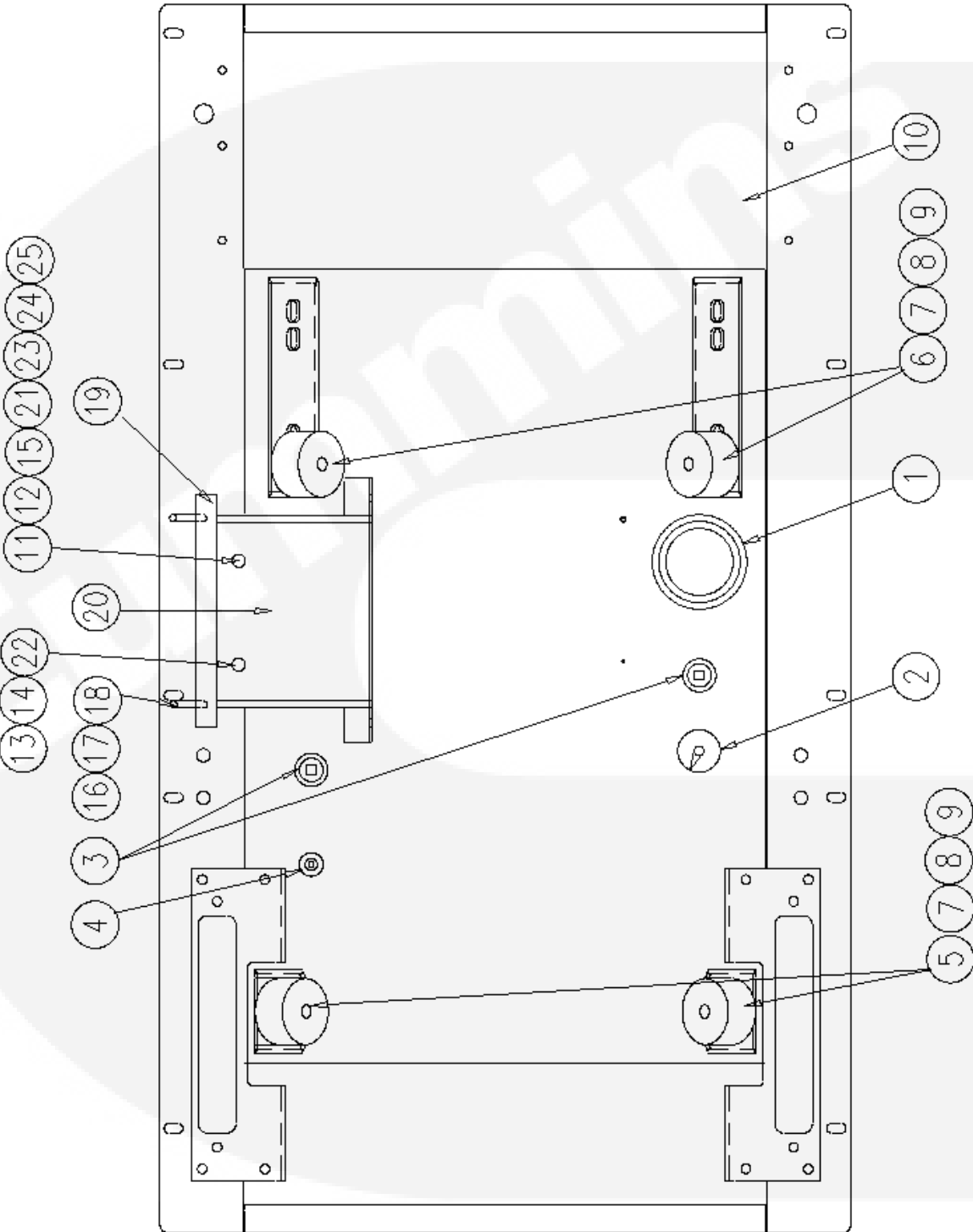
ITEM	PART NUMBER	DESCRIPTION	QTY
1	0140-3765	Air Cleaner (Heavy Duty)	1
1	0140-3829	Air Cleaner (Normal Duty)	1
2	0140-3840	Air Cleaner Element (HD)	1
3	0140-3766	Mounting Band	1
4	0140-3767	Indicator	1
5	0503-2546	Hose-Flexible (580mm)	1
6	0140-3551	Clip	1
7	0503-2545	"T" Bolt Clamp	1
8	0140-3719-02	Bracket, Air Cleaner	1
9	0800-3017-19	Screw-Hex Head (M8 X 20)	2
10	0526-0399-60	Washer-Flat (M8)	2
11	0850-0114-54	Washer-Lock (M8)	2
12	0862-0026-55	Nut-Hex (M8)	2
13	0800-3017-37	Screw-Hex Head (M10X 25)	2
14	0526-0399-62	Washer-Flat (M10)	2
15	0850-0114-55	Washer-Lock (M10)	2

Muffler Instl - Enclosure



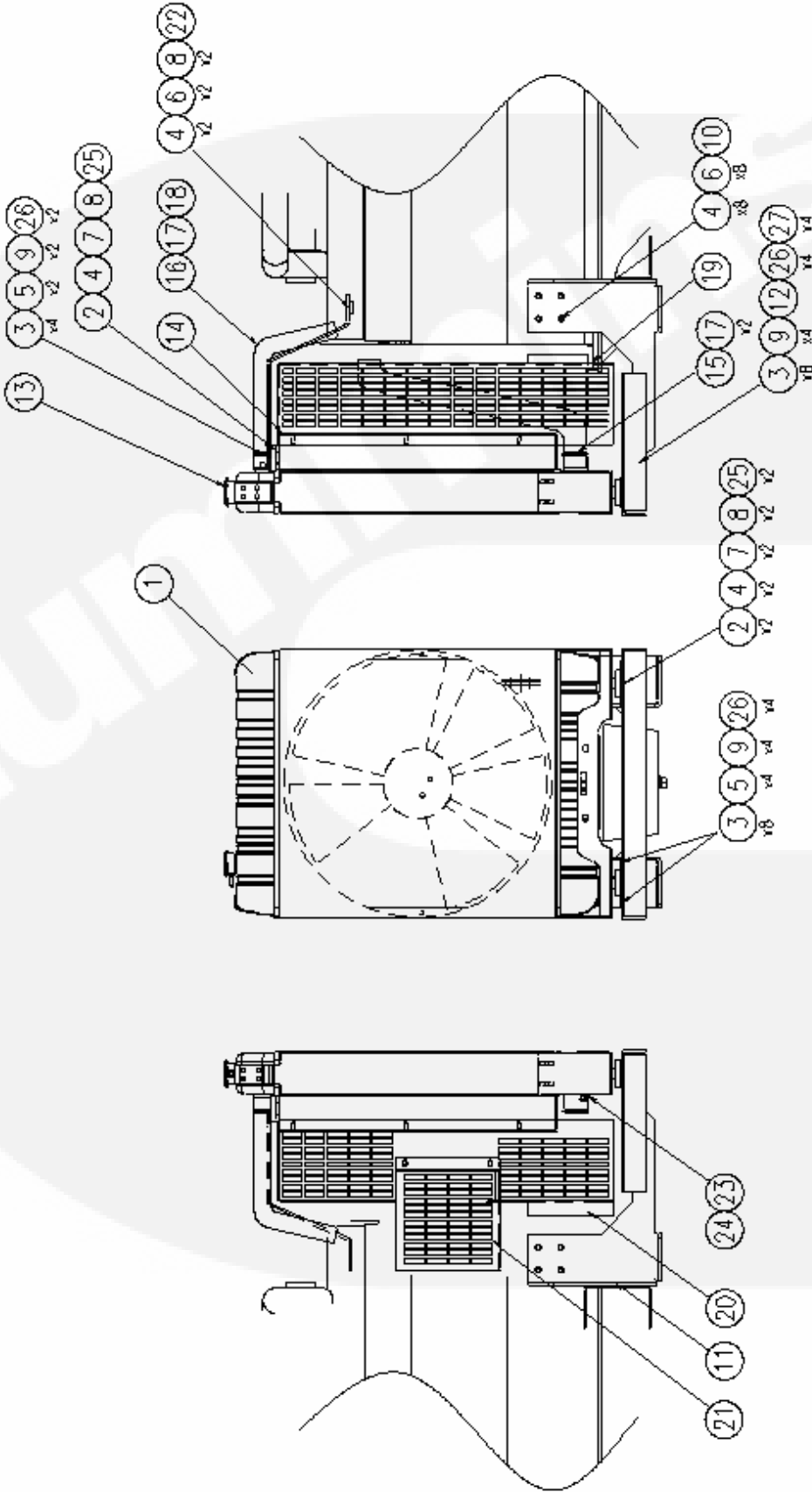
ITEM	PART NUMBER	DESCRIPTION	QTY
1	0155-4280	Muffler	1
2	0155-4359	Pipe-Exhaust	1
3	0155-4286	Gasket-Exhaust	1
5	0155-4352	Clamp-Wide Band	3
7	0155-4355	Pipe-Flexible	1
8	0155-4357	Pipe-90° Elbow	1
9	0155-4351	6" Clamp-Heavy Duty	2
REF	0155-4376-03	Bracket-Exhaust	1

Skid Assy (With Tank)



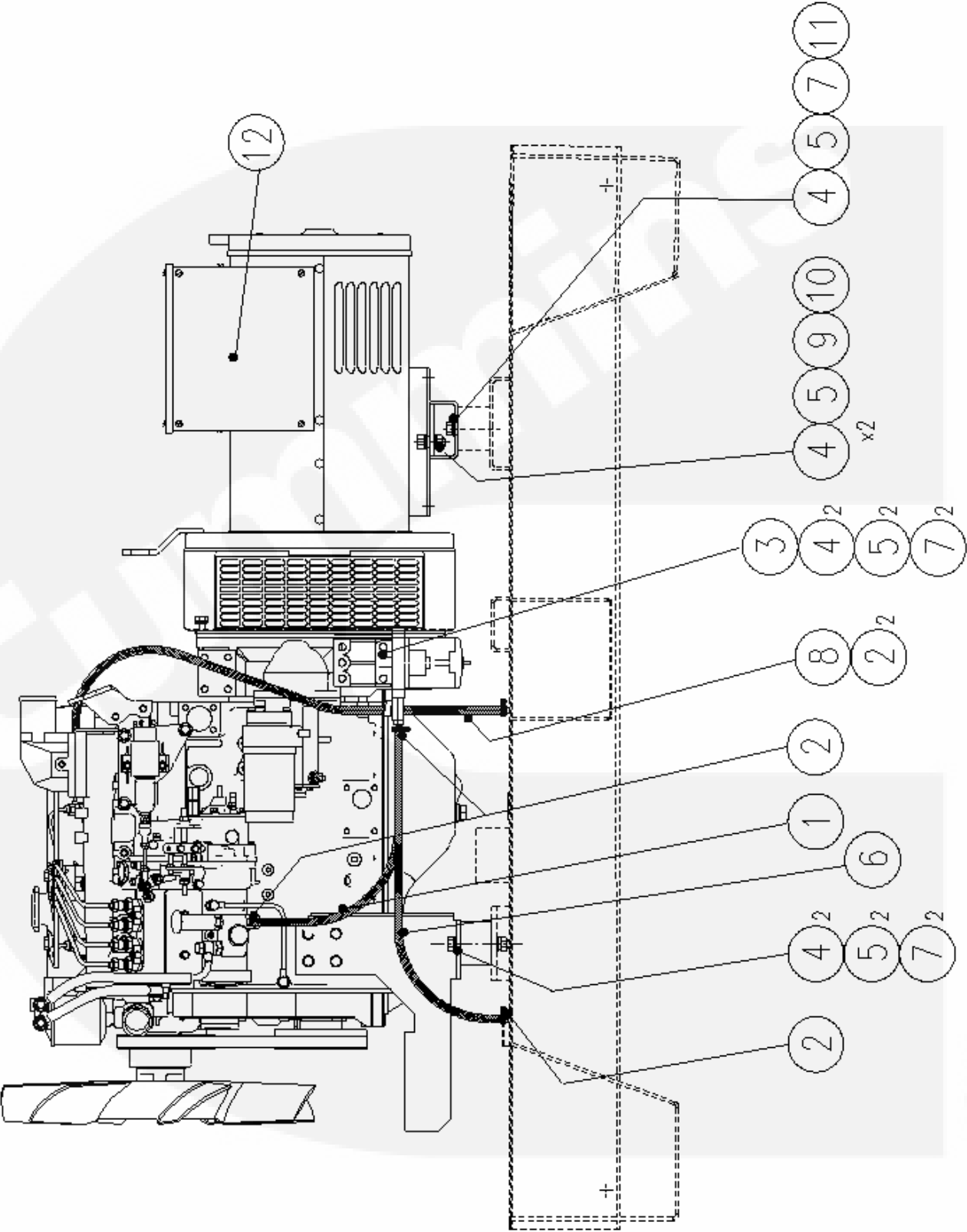
ITEM	PART NUMBER	DESCRIPTION	QTY
1	0159-1552	Cap-Filler	1
2	0193-0562	Gauge-Fuel Level	1
3	0505-1597	1" BSP Gunmetal Plug	2
4	0505-2087	Plug-Pipe 1/2"BSP	1
5	0402-0831	Isolator-Vibration (280/B2)	2
6	0402-0832	Isolator-Vibration (280/B3)	2
7	0526-0399-64	Washer-Flat (M12)	4
8	0850-0114-56	Washer-Spring Lock (M12)	4
9	0826-0026-57	Plain Nut Hex (M12)	4
10	0403-6235-01	Skid-75 Litre	1
11	0332-3984	Boot-Battery	1
12	0416-1203	Clamp-Battery Post +Ve	1
13	0416-1204	Clamp-Battery Post -Ve	1
14	0416-1232	Cable-Battery (-Ve)	1
15	0416-1231	Cable-Battery (+Ve)	1
16	0416-1237-02	Rod-Battery Holddown	2
17	0526-0399-58	Washer-Flat (M6)	2
18	0865-0030	Nut-Wing (M6)	2
19	0416-1236-02	Holddown-Battery	1
20	0416-1224	Battery	1
21	0416-1019	Boot-Battery Red	1
22	0416-1020	Boot-Battery Black	1
23	0800-3017-20	Screw- HHc (M8)	1
24	0850-0114-54	Washer-Lock (M8)	1
25	0526-0399-60	Washer-Flat (M8)	2

Radiator Instl



ITEM	PART NUMBER	DESCRIPTION	QTY
1	0130-6598	Radiator-SRF	1
2	0402-0878	Isolator-Vibration	3
3	0526-0399-60	Washer-Flat (M8)	12
4	0526-0399-62	Washer-Flat (M10)	5
5	0800-3017-19	Screw-Hex Head (M8 X 20)	10
6	0800-3017-38	Screw-Hex Head (M10 X 30)	10
7	0800-3017-42	Screw-Hex Head (M10 X 50)	3
8	0853-0040-56	Washer-Lock (M10)	3
9	0862-0026-55	Nut-Hex (M8)	6
10	0403-6102	Mount-Engine LH	1
11	0403-6103	Mount-Engine RH	1
12	0130-6599	Support-Plate (Radiator)	1
13	0130-6600	Radiator Cap	1
14	0130-6601	Shroud-Fan	1
15	0503-2654	Hose-Coolant (Bottom)	1
16	0503-2653	Hose-Coolant (Top)	1
17	0503-1872-02	Clamp Hose (1.25"-2.13")	3
18	0503-1872-01	Clamp Hose (1"-1.75")	1
19	0130-6602	Guard-Radiator (Left Hand)	1
20	0130-6603	Guard-Radiator (Right Hand)	1
21	0130-6604	Guard-Radiator (Charge Alt)	1
22	0130-6605	Bracket-Radiator (Support)	1
23	0504-0284	Valve-Check (Drain 1/2"BSP)	1
24	0505-0013	Plug-Square Head (1/2" NPT)	2
25	0526-2306	Washer-Flat (M12)	3
26	0850-0114-54	Washer-Lock (M8)	4
27	0800-3017-20	Screw-Hex HD (M8 x 25mm)	4
28	0503-2633-01	Hose-Drain	1

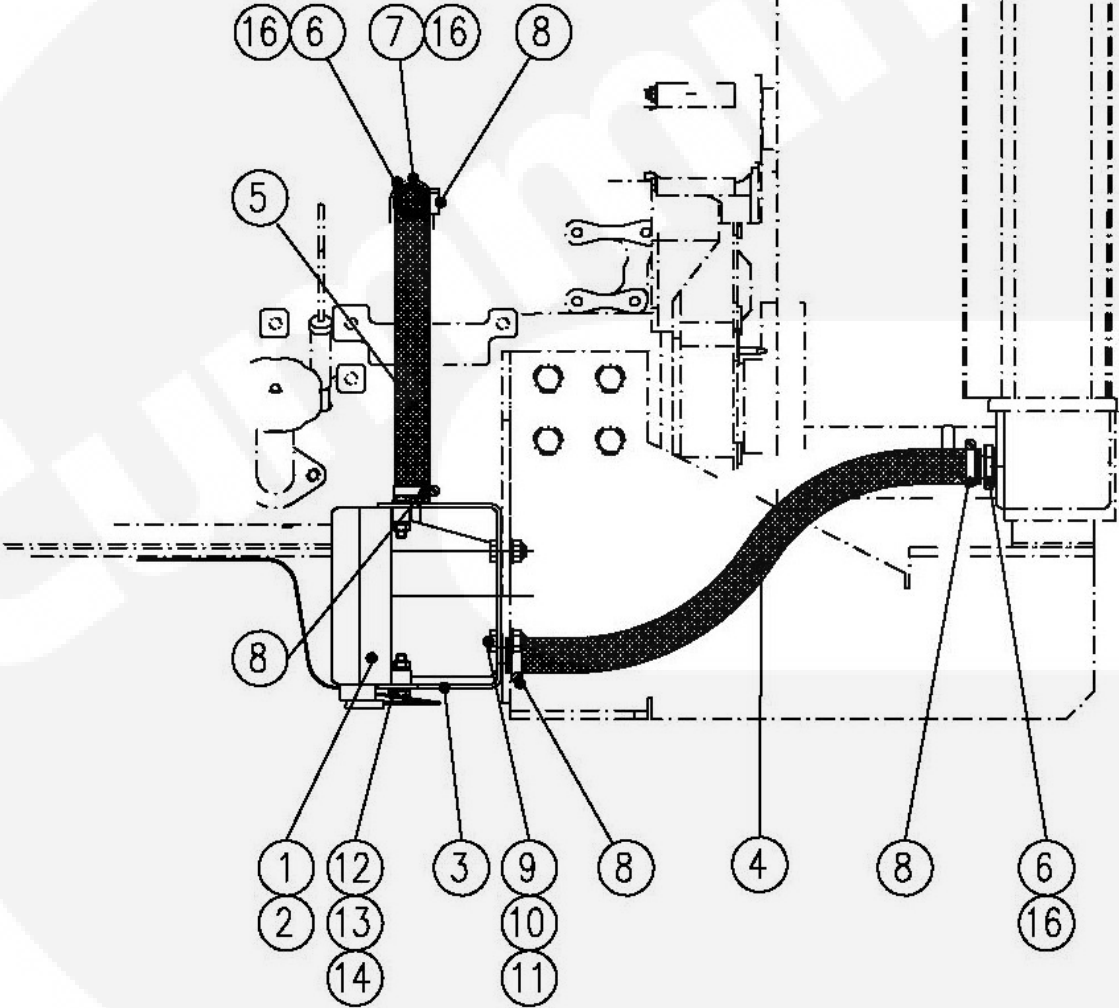
Genset Instl



ITEM	PAGE NUMBER	DESCRIPTION	QTY
1	0501-0875	Line – Fuel (Engine Feed – 550mm LG)	1
2	0503-2467	Clamp - Hose	6
3	0149-2744	Separator – Fuel / Water	1
4	0526-0399-64	Washer – Flat SteelM12	12
5	0850-0114-56	Washer –Spring Lock M12	10
6	0501-0955	Line – Fuel (3/8"x740mm)	1
7	0800-3017-52	Screw – HHC M12x1.75x20LG	6
8	0501-0956	Line-Fuel (3/16"x850mm)	1
9	0862-0026-57	Nut – Hex (M12)	2
10	0800-3017-55	Screw – HHC M12x1.75x35LG	2
11	0403-5586-02	Mount - Alternator	1
12	0200-3235-03	Alternator Wdg 05 (BC184G) (C22)	1
12	0200-3236-02	Alternator Wdg 06 (BC184F) (C25)	1

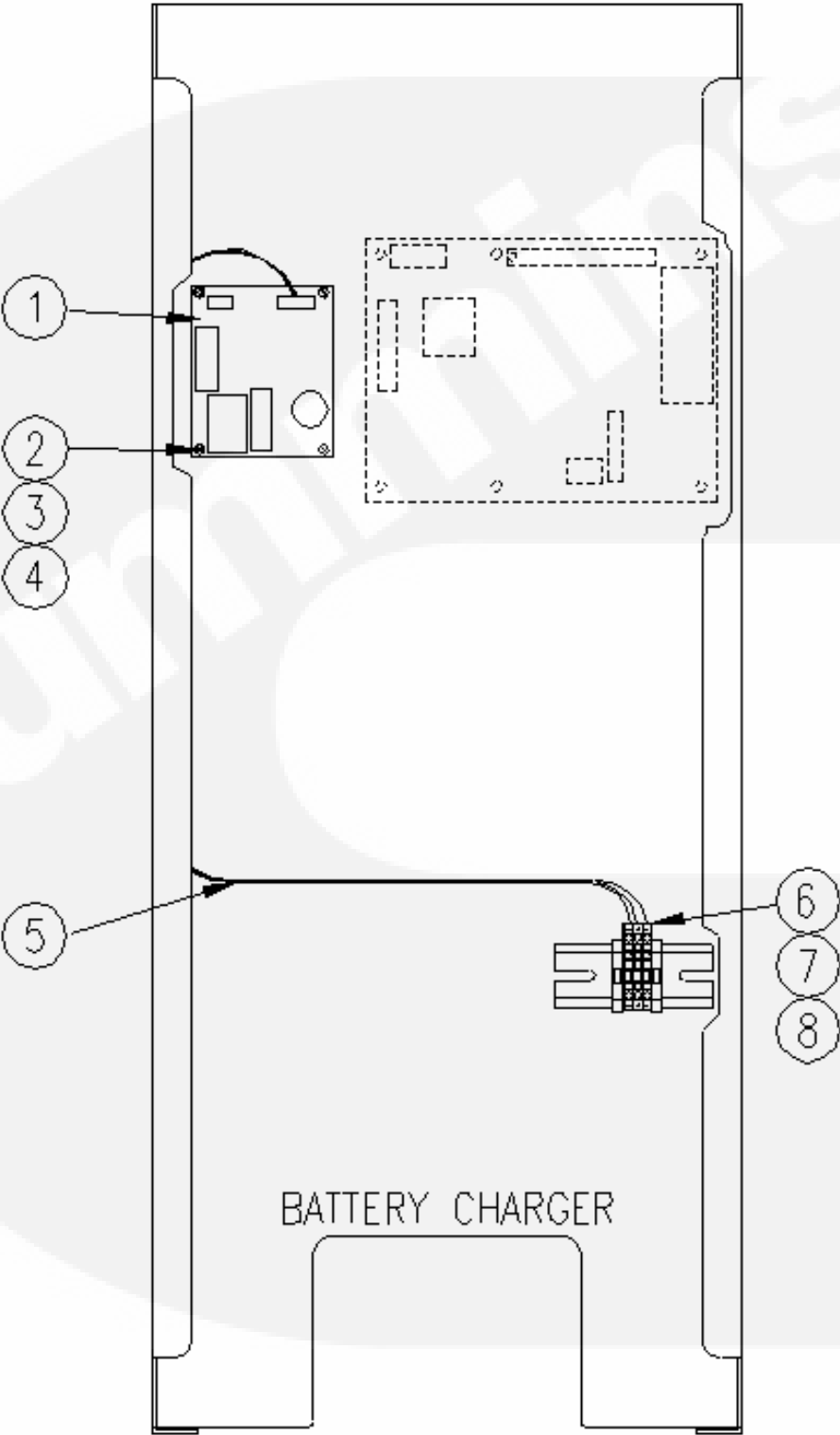
Heater Instl

ENGINE: B3.3G1/G2



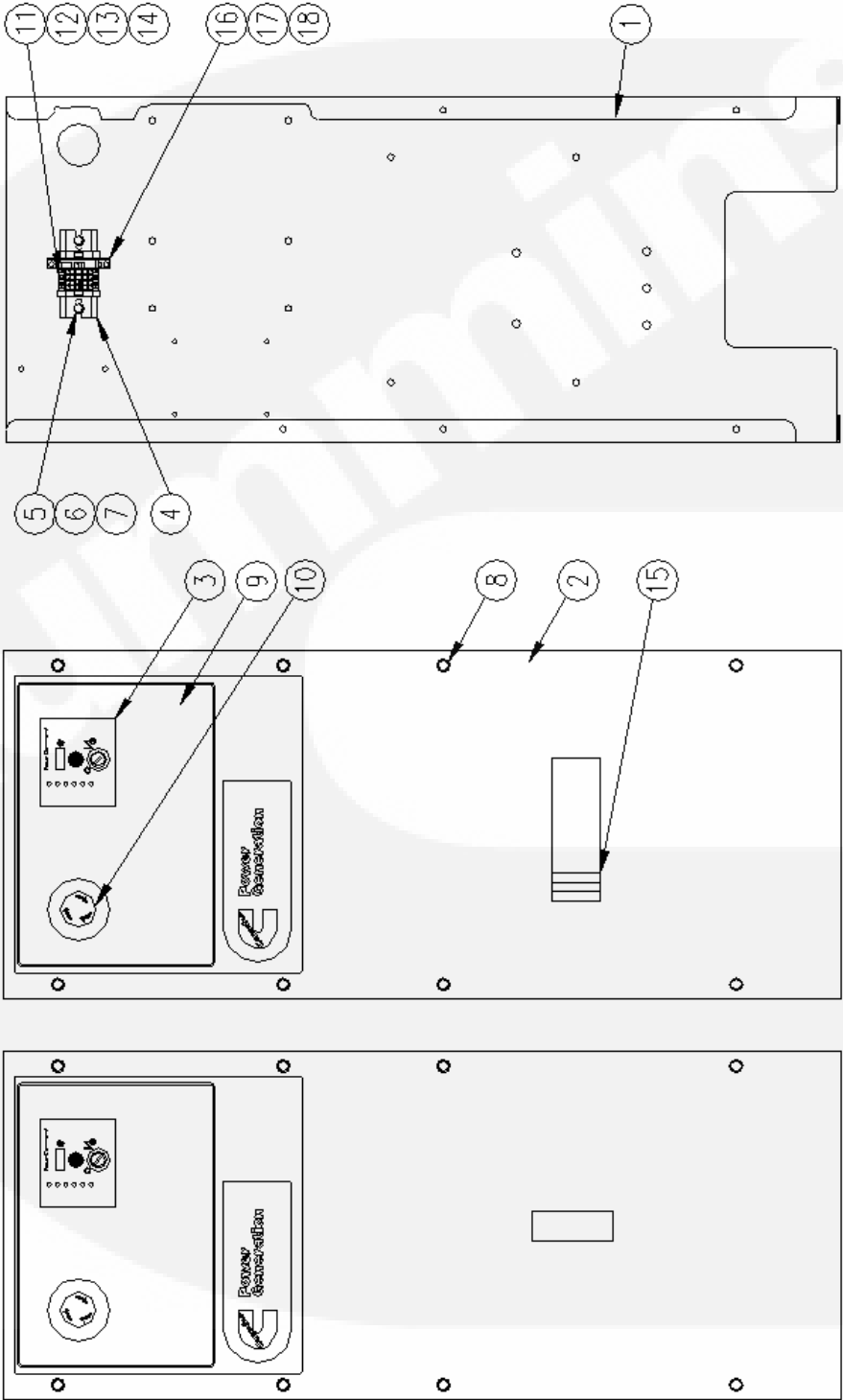
ITEM	PART NUMBER	DESCRIPTION	QTY
1	0333-0699	Heater-Engine Coolant-120v.	1
2	0333-0690	Heater-Engine Coolant-240v.	1
3	0133-0232-02	Bracket-Heater	1
4	0503-2474-07	Hose-Steam	1
5	0503-2474-06	Hose-Steam	1
6	0502-1508	Connector, Hose, 1/4" BSPT X 16mm	2
7	0505-2236	Adaptor-Hose (3/8"BSPPx1/4 "BSPM/F)	1
8	0503-2385	Clamp-Hose (1"- 1. 3/4")	4
9	0821-6003-02	Screw-Sems Tap/Scr (M8 X 20)	2
10	0526-0399-60	Washer – Flat (M8)	2
11	0870-2248-05	Nut – Lock (M8 Nyloc)	2
12	0800-3017-06	Screw – Hex HD (M6 x 30)	4
13	0526-0399-58	Washer – Flat (M6)	8
14	0870-0506	Nut – Lock (M6 Nyloc)	4
15	0332-1794	Tie - Cable	6
16	0524-0826	Sealant – Thread 577 (250ml)	1

Battery Charger Instl



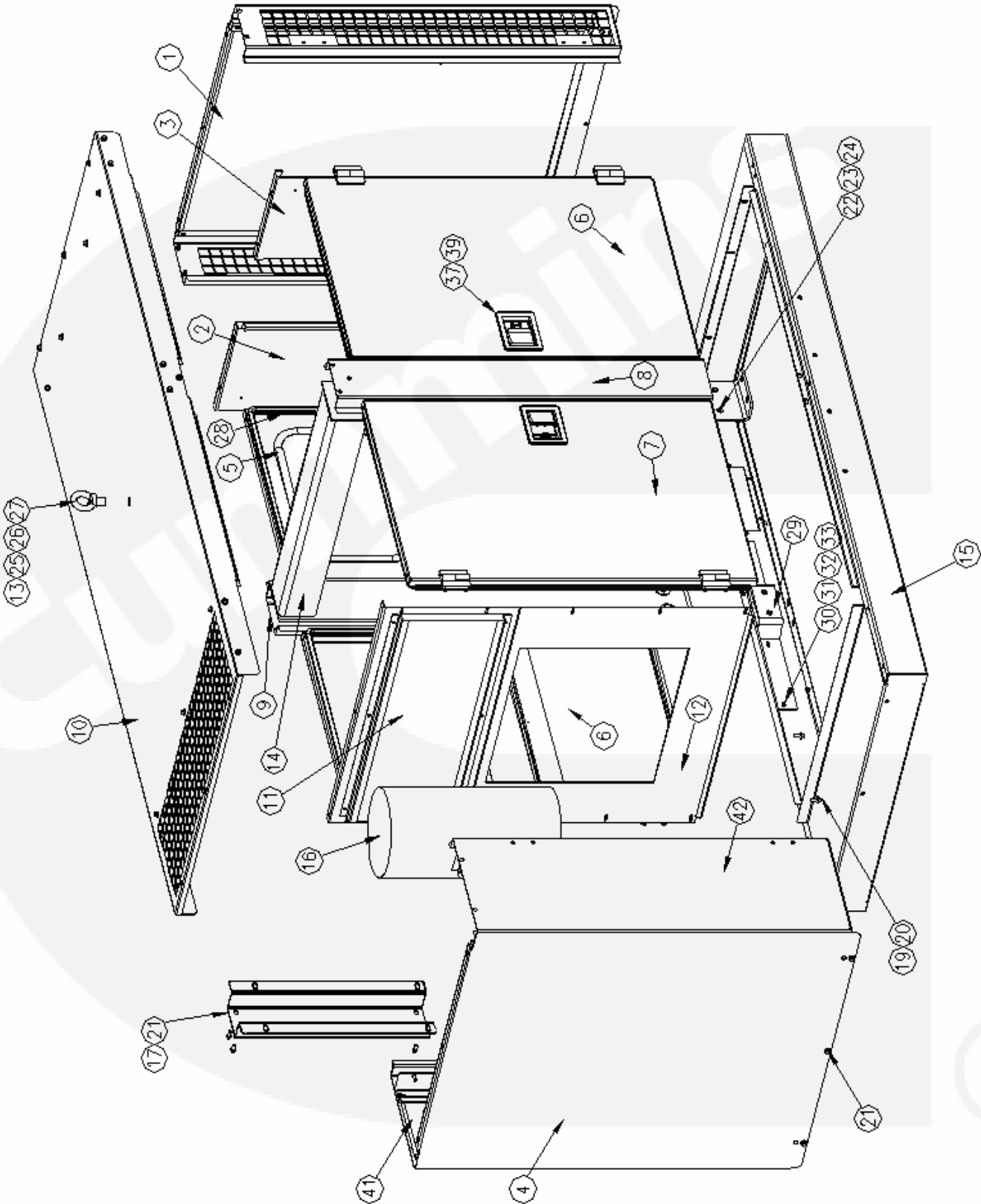
ITEM	PART NUMBER	DESCRIPTION	QTY
1	0416-1300	Charger-Battery (3A)	1
2	0526-0399-54	Washer-Flat (M4)	4
3	0800-0309-76	Screw-HHC (M4 x 16)	4
4	0850-0114-51	Washer-Lock (M4)	4
5	0338-4530	Harness-Battery Charger	1
6	0332-3923-02	Terminal Block	3
7	0332-3926	Terminal End Stop	2
8	0332-3927-02	End Plate	1

Control Assy



Item	Part Number	Description	Qty
1	0319-5495-02	Box-Control	1
2	0319-5881-02	Panel-Circuit Breaker (MCB)	1
2	0319-5882-02	Panel-Circuit Breaker (MCCB)	1
3	0300-5978	Display-Control (Assy)	1
4	0332-4001-02	Rail-Terminal Block	1
5	0526-0399-56	Washer-Flat (M5)	2
6	0800-0309-88	Screw-Hex Head (M5 X 12)	2
7	0850-0114-52	Washer-Lock (M5)	2
8	0821-6002-02	Screw-Sems Tap/Scr (M6 X 12)	8
9	0098-8414	Label-Logo	1
10	0308-1178	Switch-Pushbutton E/Stop	1
11	0332-3923-01	Terminal Block (Wago)	4
12	0332-3925-01	Jumper-Terminal (Wago, 2-Way)	1
13	0332-3926	Terminal Block (End Stop)	2
14	0332-3927-01	Terminal Block (End Plate)	1
15	0320-2259	Circuit Breaker Blanking Strip	1
16	0332-3944	Terminal Block, Fuse	1
17	0332-3945	Terminal Block, End Plate	1
18	0321-0394-02	Fuse 2A	1
19	0526-0399-60	Washer-Flat (M8)	12
20	0800-3017-21	Screw-Hex Head (M8 X 30)	6
21	0850-0114-54	Washer-Lock (M8)	6
22	0862-0026-55	Nut-Hex (M8)	6
23	0319-5362-02	Cover-Control	1
24	0319-5364	Cover-Control-Cable Entrance	1
25	0526-0399-62	Washer-Flat (M10)	4
26	0800-3017-37	Screw-Hex Head (M10 X 25)	2
27	0853-0040-56	Washer-Lock (M10)	4
28	0862-0026-56	Nut-Hex (M10)	2
29	0821-6002-02	Screw - HH SEMS (M6 x 12)	4

Enclosure Assy



ITEM	PART NUMBER	DESCRIPTION	QTY
1	0405-8126	Duct-Air (Assy)	1
2	0405-8130	Panel-Duct (Assy)	1
3	0405-8133	Panel-Duct (Assy)	1
4	0405-8991-01	Duct-Air (Assy End)	1
5	0405-8149	Door-Access (Assy)	1
6	0405-8150-01	Door-Access (Assy)	2
7	0405-8150-02	Door-Access (Assy)	1
8	0405-8155-03	Panel-Enclosure (Assy)	1
9	0405-8213	Panel-Enclosure (Assy)	1
10	0405-8187	Roof-Enclosure (Assy)	1
11	0405-9135	Panel-Enclosure (Rad Assy)	1
12	04045-9134-02	Panel-Enclosure (Radiator)	1
13	0403-5556	Lifting-Eye (M24 x 127)	1
14	0403-5398-02	Frame-Carrying (Assy)	1
15	0403-5406	Enclosure Base	1
16	0155-4280	Muffler	1
17	0155-4376-03	Bracket-Muffler	1
18	0526-0399-60	Washer-Flat (M8)	4
19	0800-3017-19	Screw-HHC (M8 x 20)	22
20	0853-0400-55	Washer-EIT (M8)	22
21	0800-6373-02	Screw-Hex FLG HD (M8 x 20)	47
22	0526-0399-66	Washer-Flat (M16)	12
23	0800-3017-74	Screw-HHC (M16)	8
24	0850-0114-57	Washer-Lock (M16)	8
25	0526-0399-72	Washer-Flat (M24)	1
26	0870-2248-10	Nut-Lock (M24 x 3.0 (10.9))	1
27	0860-2024-01	Nut-Hex (M24 x 3.0 (10.9))	1
28	0508-1199	Edging	14.2m
29	0403-5399-02	Plate-Lifting	2
30	0526-0399-64	Washer-Flat (M12)	8
31	0750-0114-56	Washer-Lock (M12)	8
32	0862-0026-57	Nut-Hex (M12)	8
33	0800-6376-04	Screw-Hex FLG HD (M12 x 30)	8
35	0179-3802-02	Label-Installation	1
36	0541-1171	Muffler Kit	1
37	0406-1073	Catch-Lock	4

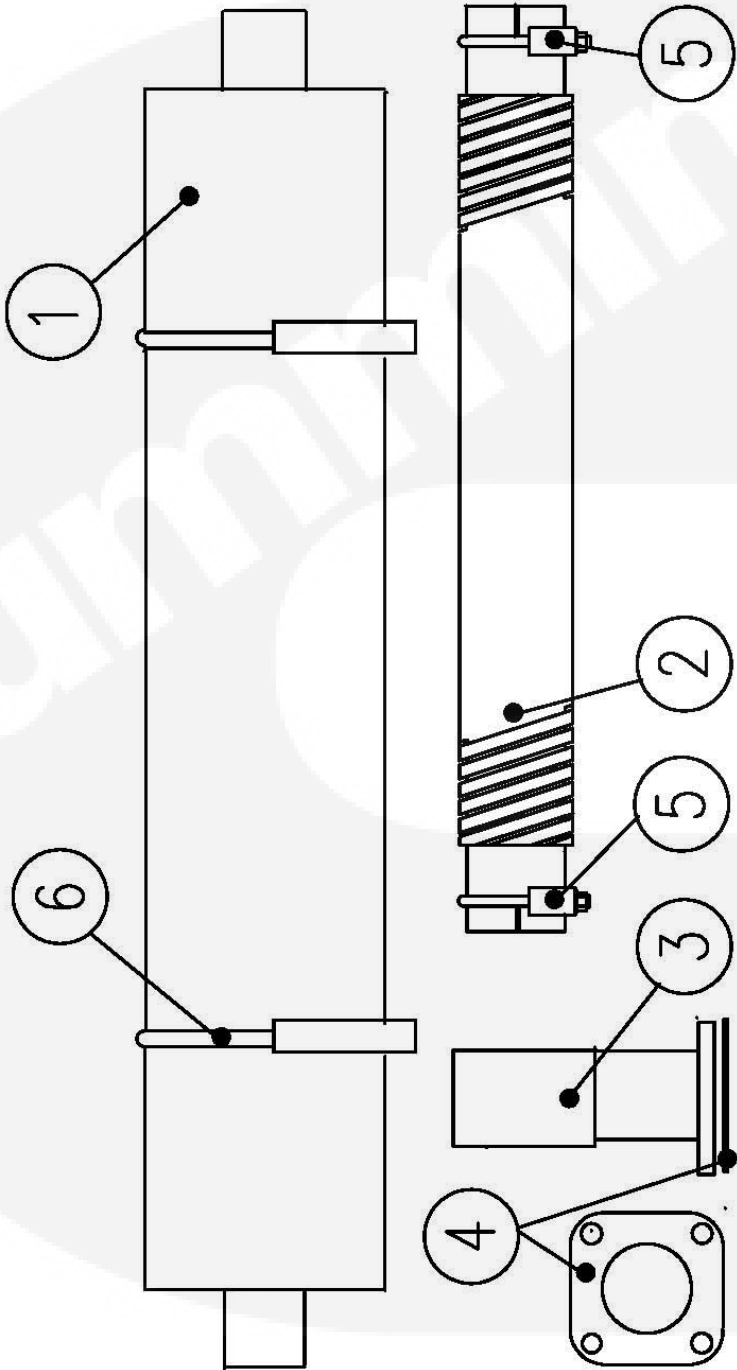
ITEM	PART NUMBER	DESCRIPTION	QTY
38	0406-1074	Key-Lock	2
39	0406-1059	Latch-Door	4
41	0405-8989-01	Duct-Air (Assy RH)	1
42	0405-8990-01	Duct-Air (Assy LH)	1
43	0405-9745	Seal-Enclosure (Air Outlet)	1
44	0815-0954-02	Screw-FL HD Mach (M8 x 20)	12
45	0800-3017-70	Screw-Hex HD (M16 x 2.0 x 30 CL8.8)	4
46	0308-1175	Switch-Push Button	1
47	0319-5262	Cover-Switch Surround	1
48	0098-8025	Label	1
49	0406-1051	Hinge-LH	4
50	0406-1052	Hinge-RH	4
51	0338-4529	Harness-Accessory (E/Stop)	1



BLANK PAGE



Muffler – Loose (Option)



ITEM	PART NUMBER	DESCRIPTION	QTY
1	0155-4154-01	Muffler (Ind Inline 9dB)	1
1	0155-4158-01	Muffler (Ind Inline 25dB)	1
2	0155-4334	Pipe-Exhaust Flex	1
3	0155-4335-02	Adaptor-Exhaust	1
4	0155-4286	Gasket	1
5	0305-1004	Clamp-'U' Bolt (80mm)	2
6	0800-3017-35	Screw-Hex HD (M10 x 16)	4
7	0526-0399-62	Washer-Flat (M10)	4
8	0850-0114-55	Washer-Lock (M10)	4
9	0305-1004	Bracket-Regulator	2

Cummins



Cummins Power Generation Limited

Columbus Avenue,
Manston Park,
Manston, Ramsgate,
Kent. CT12 5BF.
England.

Telephone +44 (0) 1843 255000

Fax +44 (0) 1843 255902

Spares No +44 (0) 1843 255948

Spares Fax +44 (0) 1843 255913

E-Mail cpg.uk@cummins.com

Cummins Power Generation ©2006

