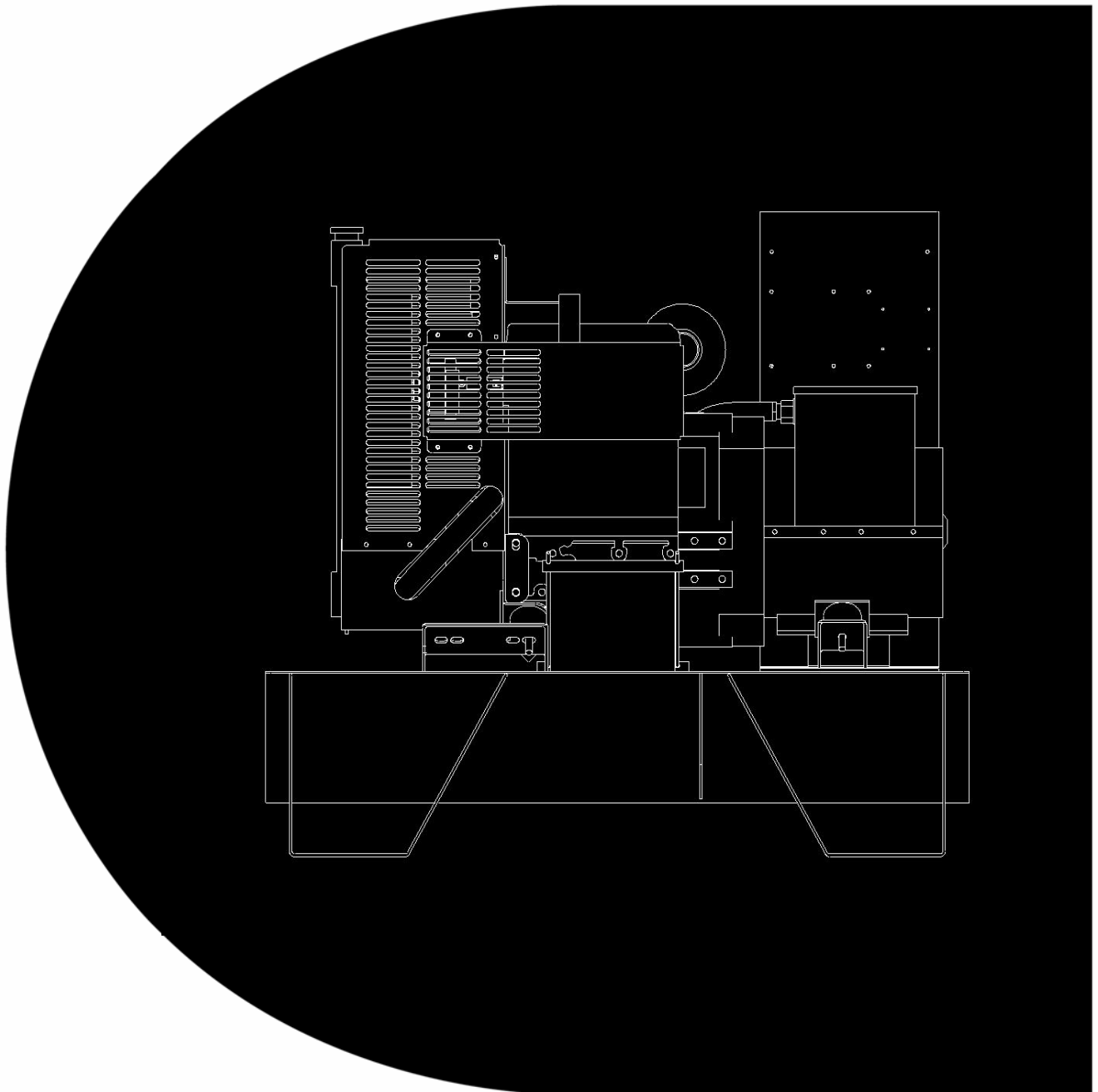


Parts Catalogue

SINGLE PHASE GENERATING SET

Models: C11D5, C11D6, C15D5, C15D6.

With PCC 1301 Controller.

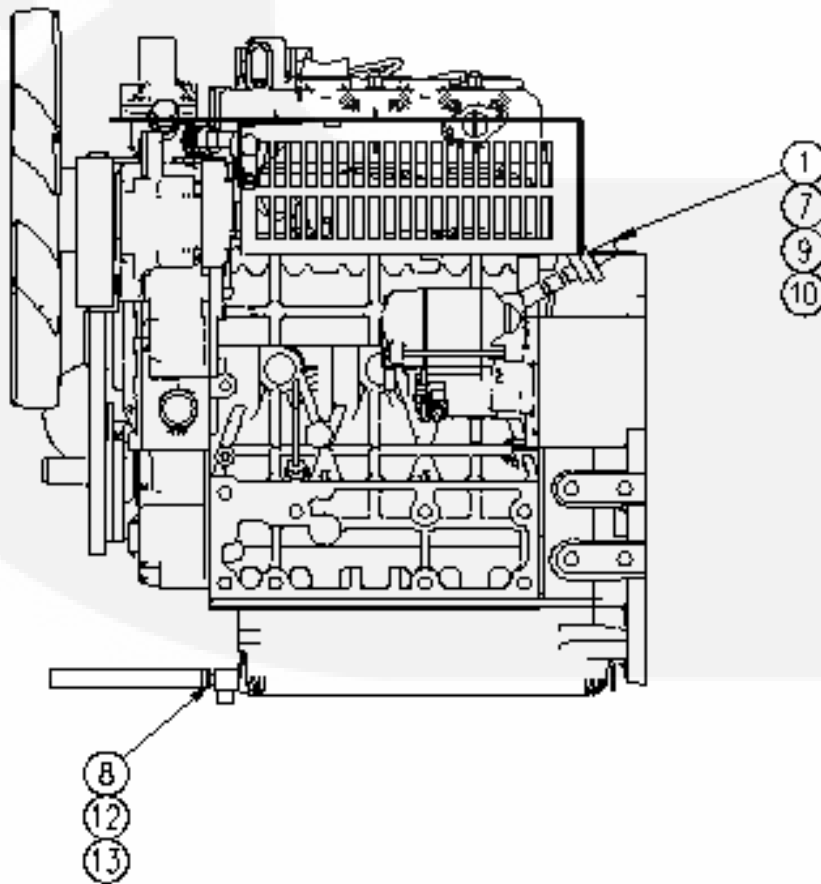
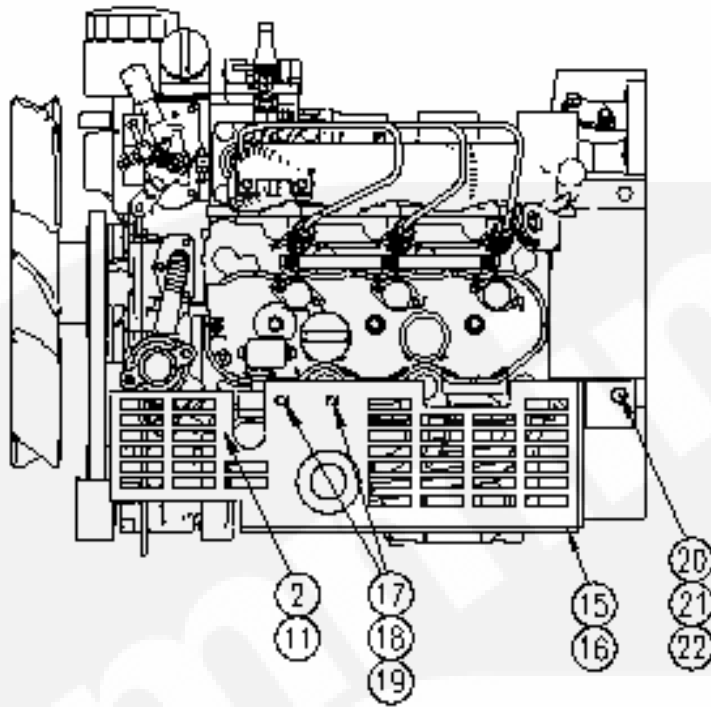


CONTENTS

0100-4049	Engine-Accessories	2
0179-4913	Circuit Breaker Instl (MCB)	4
0179-4898	Circuit Breaker Instl (MCCB)	6
0179-3838	Transformer instl	8
0179-3784	Air Cleaner Instl	10
0179-3997	Muffler Instl - Enclosure	12
0179-4635	Skid Assy (With Tank)	14
0179-4488	Radiator Instl	16
0179-4499	Genset Instl (SRF Radiator)	18
0179-4616	Heater Instl	20
0179-4468	Battery Charger Instl	22
0300-5900	Control Assy	24
0405-9085	Enclosure Assy	26
0541-1162	Muffler – Loose (Option)	28
0179-4909	Electronic Governor Instl	30

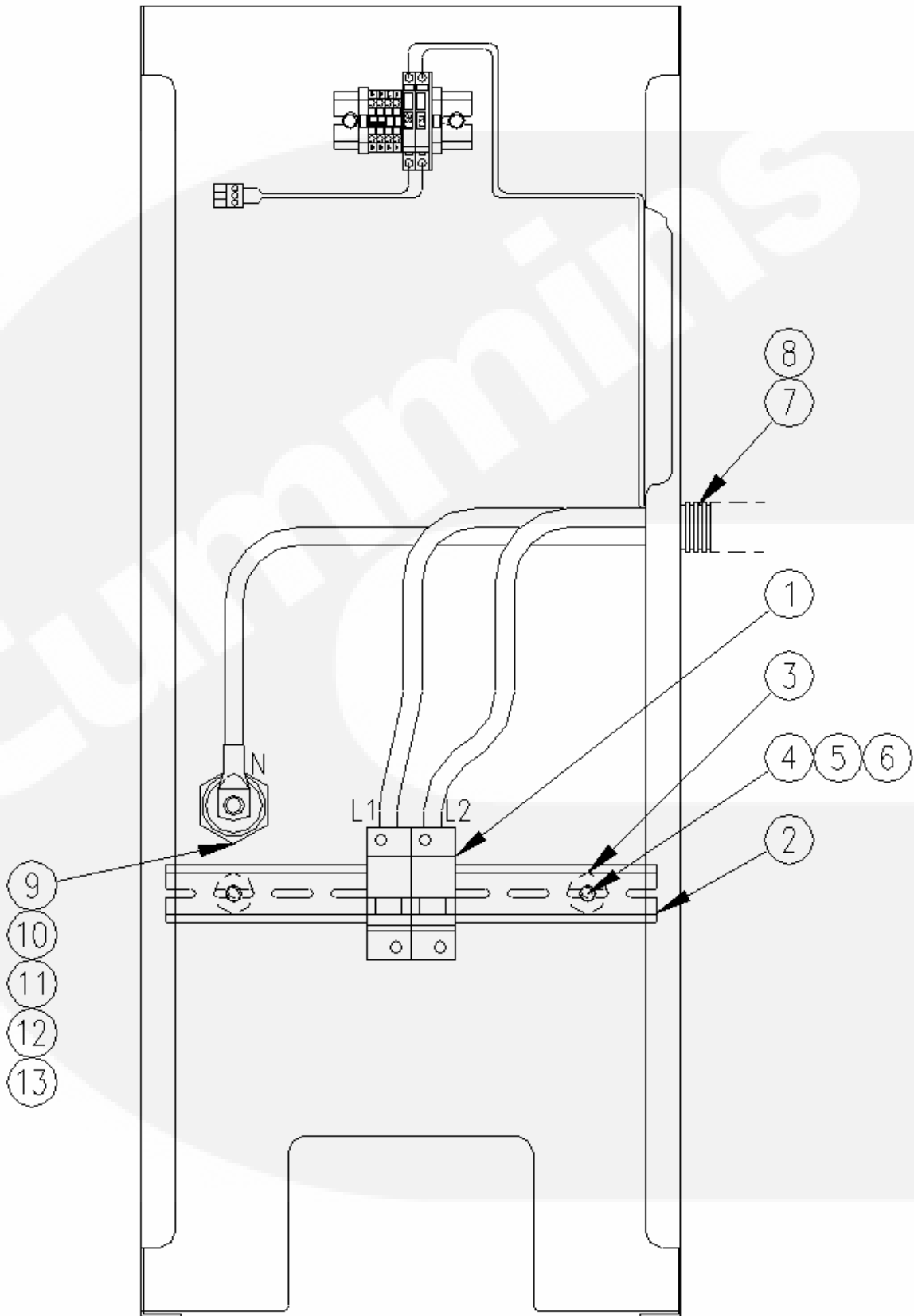


Engine Accessories



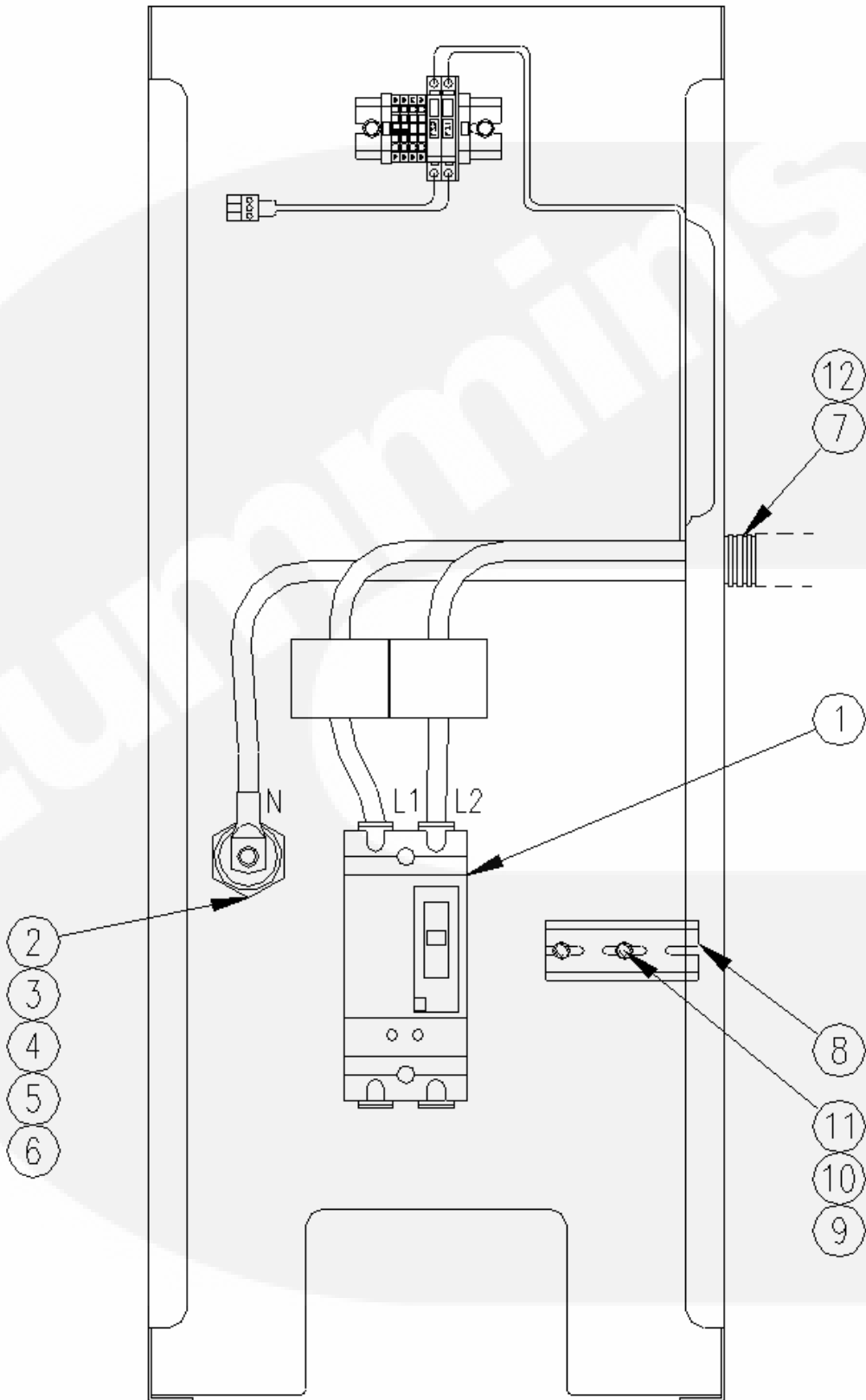
ITEM	PART NUMBER	DESCRIPTION	QTY
1	0193-0430-01	Switch-Pressure	1
2	0193-0432	Transducer - Temp	1
4	0337-3583-03	Strap-Ground	2
5	0337-3735	Busbar	1
6	0338-4841	Harness Engine (Elect Gov)	1
7	0502-1513	Union-Tube	1
8	0504-0268	Valve-Ball (M16 X 1.5 Lock)	1
9	0505-2234	Elbow-Pipe (90°BSPP SWVL)	1
10	0505-2235	Adaptor-Pipe	1
11	0505-0019	Bushing-Reducer	1
12	0503-0685	Clamp-Hose (6mm-16mm)	1
13	0503-1620	Hose-Fuel (3/8" ID X 5/8" OD)	0.6M
15	0155-4533-02	Heat Shield	1
16	0155-4534-02	Bracket-Heat Shield	1
17	0800-3017-04	Screw-Hex Head (M6 X 20)	2
18	0526-0399-59	Washer-Flat (M6)	2
19	0850-0114-53	Washer-Lock (M6)	2
20	0800-3017-52	Screw-Hex Head (M12 X 20)	1
21	0526-0399-64	Washer-Flat (M12)	1
22	0850-0014-56	Washer-Lock (M12)	1
N/R	0100-3883	Engine-D1703	1
N/R	0179-4909	Electronic Governor Instl	1

Circuit Breaker (MCB)



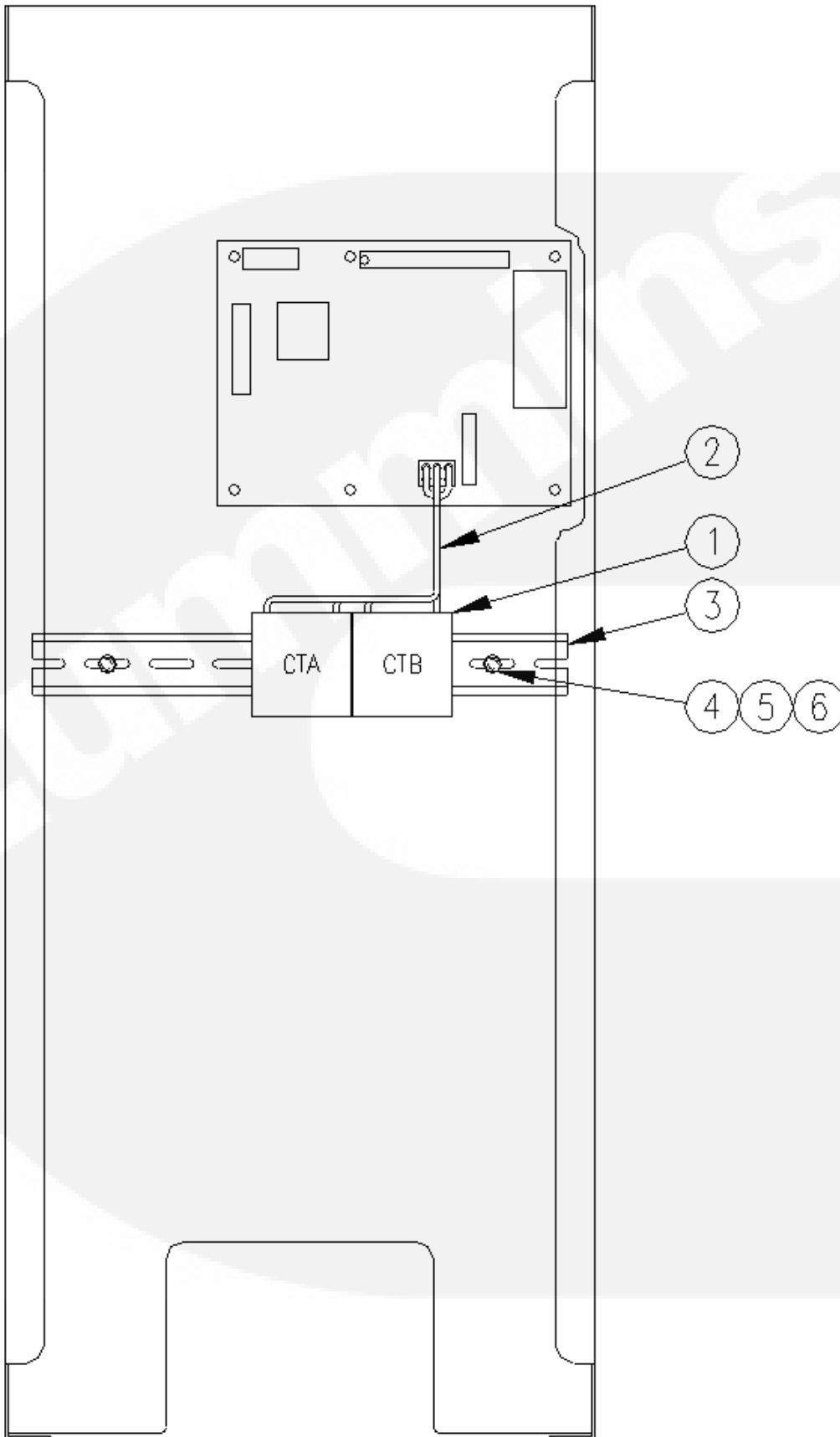
ITEM	PART NUMBER	DESCRIPTION	QTY
1	0320-2222-07	Circuit Breaker 50A 2P, C11D5, IEC Approved	1
1	0320-2222-08	Circuit Breaker 63A 2P, C15D5,C15D6, IEC Approved	1
1	0320-2222-09	Circuit Breaker 80A 2P, C15D6, IEC Approved	1
2	0332-4001-01	Rail-Terminal Block (300mm)	1
3	0872-0020-01	Standoff	2
4	0526-0399-56	Washer-Flat (M5)	2
5	0800-0309-93	Screw-Hex Head (M5)	2
6	0850-0114-52	Washer-Lock (M5)	2
7	0338-4821-01	Harness AC (50Hz)	1
7	0338-4821-02	Harness AC (60Hz)	1
8	0331-0618-02	Locknut Conduit	2
9	0872-0021	Standoff	1
10	0526-0399-62	Washer Flat (M10)	2
11	0800-3017-35	Screw HHC (M10)	1
12	0850-0114-55	Washer Lock (M10)	2
13	0862-0026-56	Nut Hex (M10)	1
14	0320-2225-02	Accessories-CB (SD Contact)	1
15	0320-2225-01	Accessories-CB (Shunt Trip)	1

Circuit Breaker (MCCB)



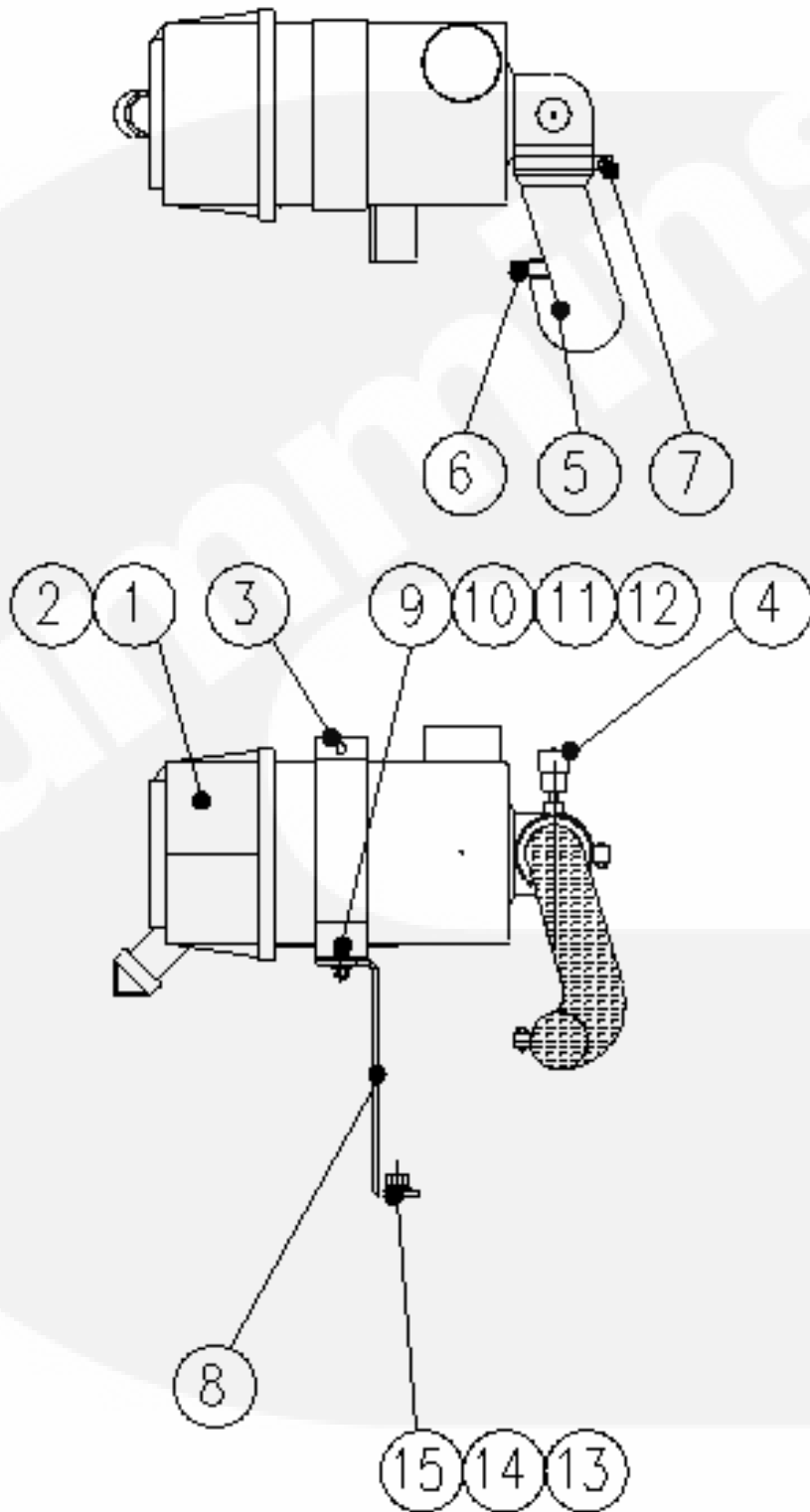
ITEM	PART NUMBER	DESCRIPTION	QTY
1	0320-2406-08	Circuit Breaker 50A 2P, C11D6, UL Approved	1
1	0320-2406-09	Circuit Breaker 60A 2P, C15D6, UL Approved	1
1	0320-2406-10	Circuit Breaker 70A 2P, C15D6, UL Approved	1
2	0332-4001-02	Rail-Terminal Block	1
4	0526-0399-56	Washer-Flat (M5)	2
5	0800-0309-93	Screw-Hex Head (M5)	2
6	0850-0114-52	Washer-Lock (M5)	2
7	0338-4821-01	Harness AC (50Hz)	1
8	0331-0618-02	Locknut Conduit	2
9	0872-0021	Standoff	1
10	0526-0399-62	Washer Flat (M10)	2
11	0800-3017-35	Screw HHC (M10)	1
12	0850-0114-55	Washer Lock (M10)	2
13	0862-0026-56	Nut Hex (M10)	1
14	0320-1981-01	Accessories-CB (SPDT Switch)	1
15	0320-1981-02	Accessories-CB (12 VDC Shunt Trip)	1

Transformer Instl



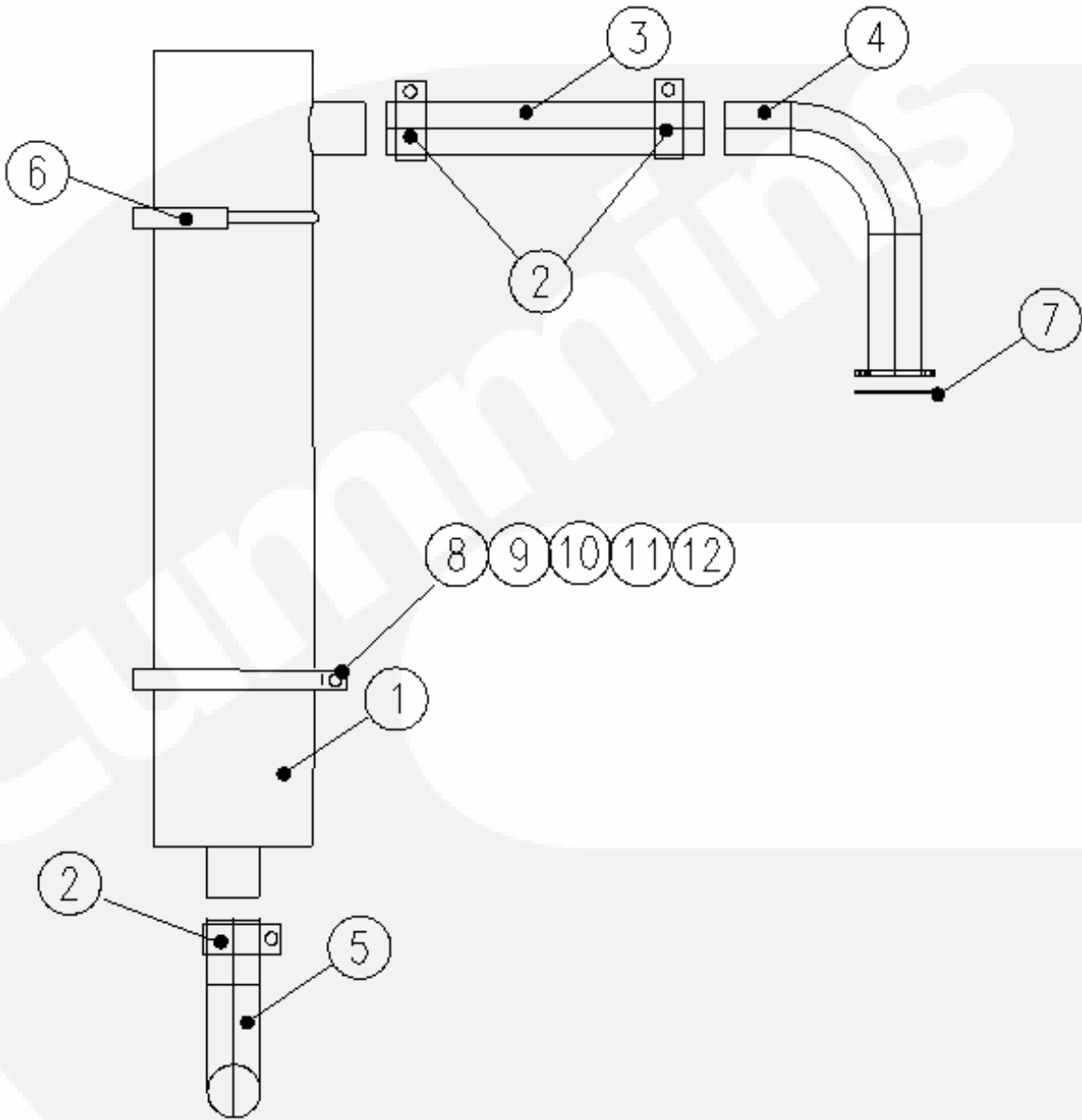
ITEM	PART NUMBER	DESCRIPTION	QTY
1	0315-1647-04	Transformer-Current 120:5 (1Ph)	2
1	0315-1647-06	Transformer-Current 250:5 (1Ph)	2
2	0338-4458	Harness-AC	1
3	0332-4001-01	Rail-Terminal Block (300mm)	1
4	0526-0399-56	Washer-Flat (M5)	4
5	0800-0309-88	Screw-Hex Head (M5 X 12)	2
6	0850-0114-52	Washer-Lock (M5)	2

Air Cleaner Instl



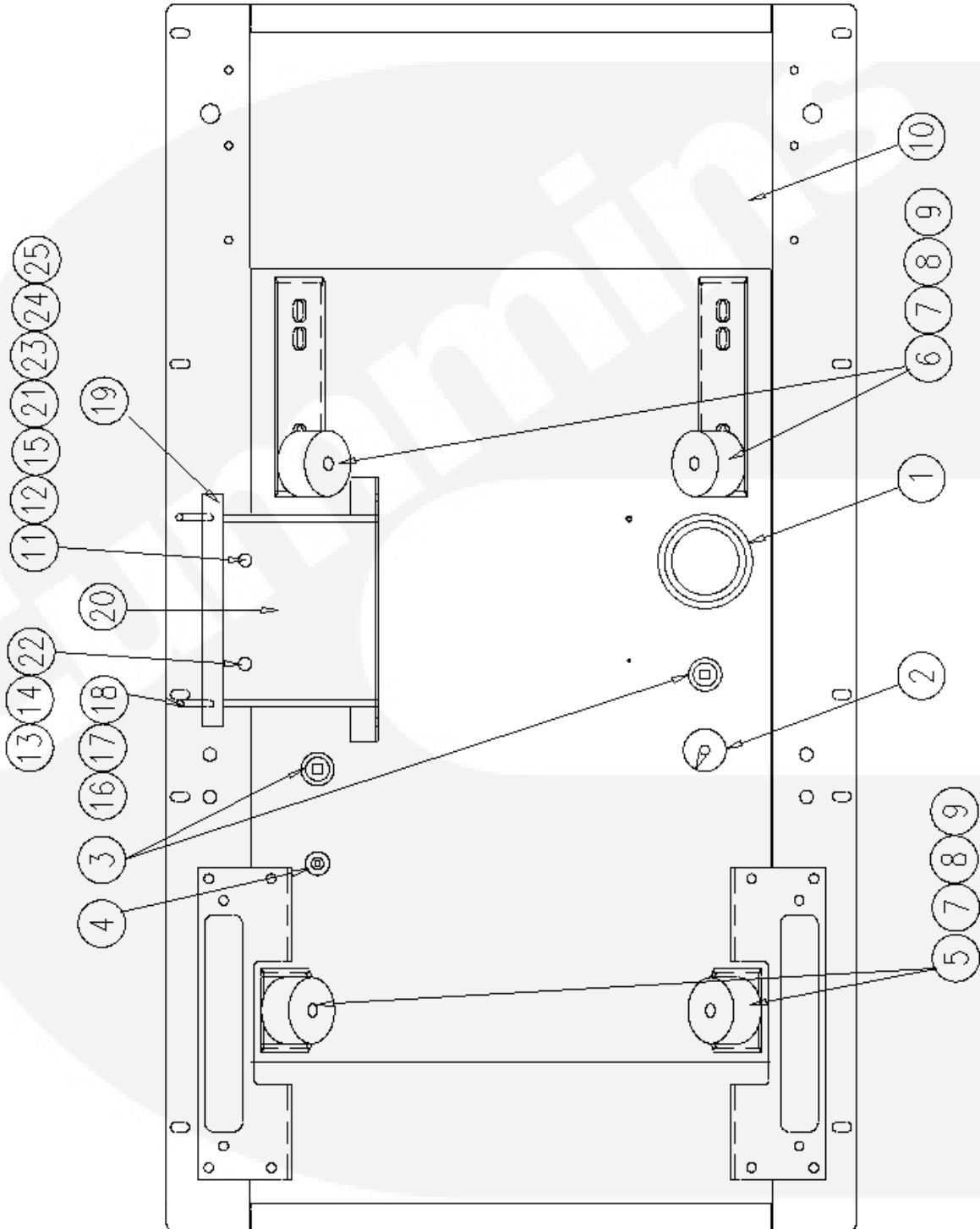
ITEM	PART NUMBER	DESCRIPTION	QTY
1	0140-3765	Air Cleaner (Heavy Duty)	1
1	0140-3828	Air Cleaner (Normal Duty)	1
2	0140-3840	Air Cleaner Element (HD)	1
3	0140-3766	Mounting Band	1
4	0140-3767	Indicator	1
5	0503-2547	Hose-Flexible (580mm)	1
6	0503-2373	Clip	1
7	0140-3551	"T" Bolt Clamp	1
8	0140-3721-02	Bracket, Air Cleaner	1
9	0800-3017-19	Screw-Hex Head (M8 X 20)	2
10	0526-0399-60	Washer-Flat (M8)	2
11	0850-0114-54	Washer-Lock (M8)	2
12	0862-0026-55	Nut-Hex (M8)	2
13	0800-3017-52	Screw-Hex Head (M12 X 20)	2
14	0526-0399-64	Washer-Flat (M12)	2
15	0850-0114-56	Washer-Lock (M12)	2

Muffler Instl - Enclosure



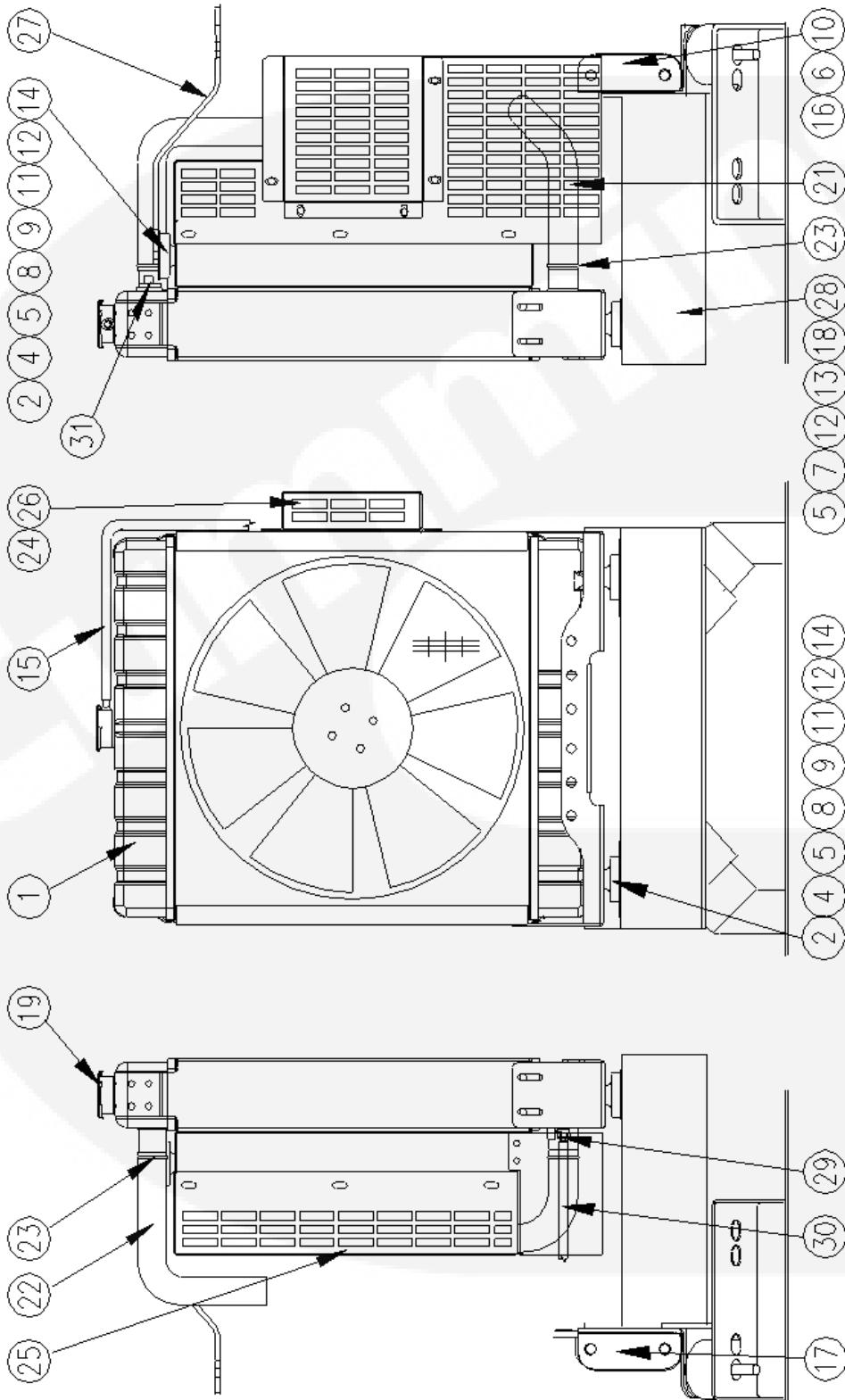
ITEM	PART NUMBER	DESCRIPTION	QTY
1	0155-4280	Muffler	1
2	0155-4352	Clamp-Wide Band	3
3	0155-4353	Pipe-Flexible	1
4	0155-4360	Pipe-Exhaust (Eng-Out)	1
5	0155-4357	Pipe-90° Elbow	1
6	0155-4351	6" Clamp-Heavy Duty	2
7	N/R	Gasket Supplied With Engine	1
8	0155-4416	Bracket-Exhaust	1
9	0800-3017-37	Screw-Hex HD (M10 x 25)	1
10	0862-0026-56	Nut-Hex (M10)	1
11	0850-0114-55	Washer-Spring Lock (M10)	1
12	0528-0399-62	Washer-Flat (M10)	1

Skid Assy (With Tank)



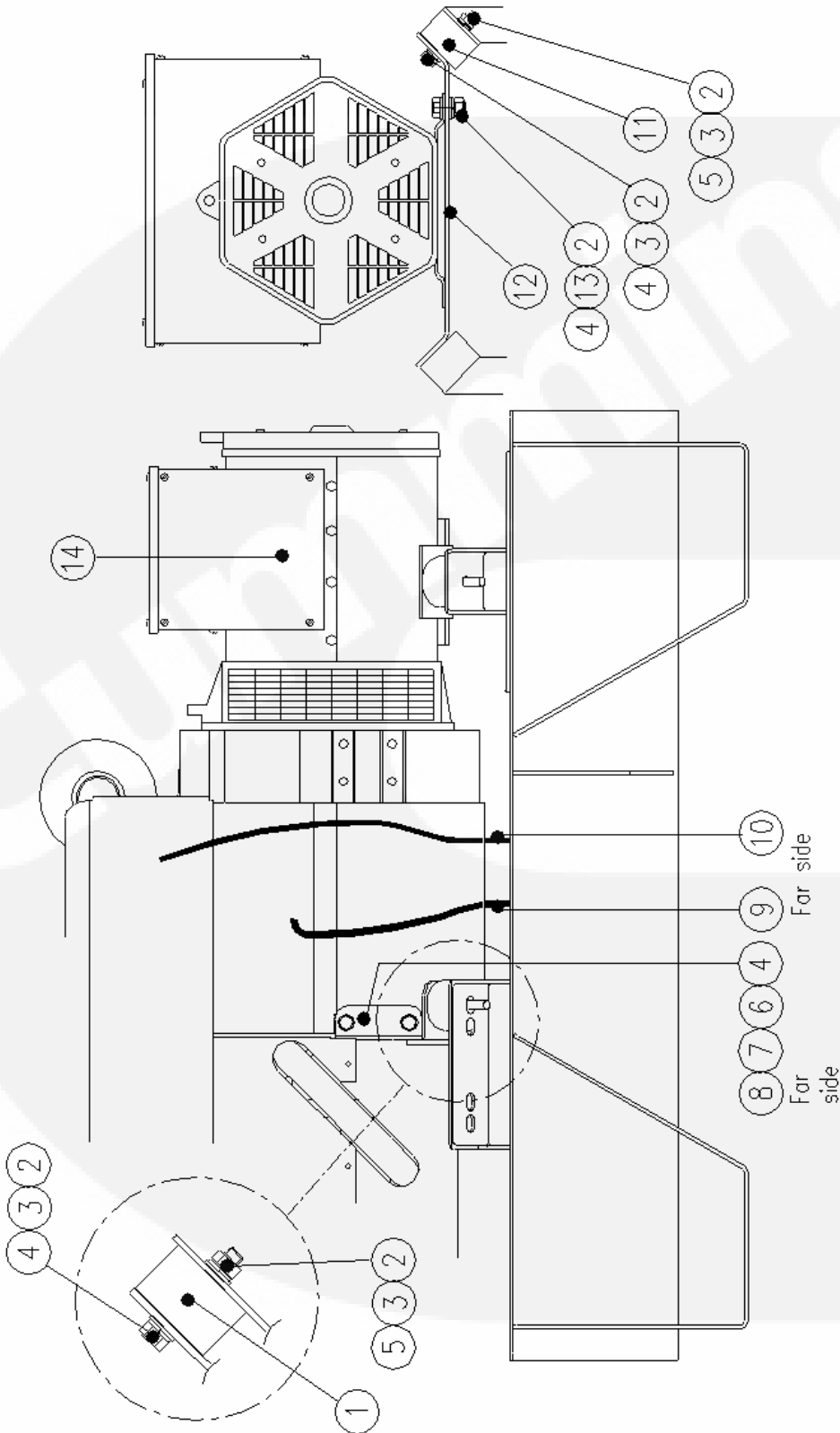
ITEM	PART NUMBER	DESCRIPTION	QTY
1	0159-1552	Cap-Filler	1
2	0193-0562	Gauge-Fuel Level	1
3	0505-1597	1" BSP Gunmetal Plug	2
4	0505-2087	Plug-Pipe 1/2"BSP	1
5	0402-0831	Isolator-Vibration (280/B2)	2
6	0402-0832	Isolator-Vibration (280/B3)	2
7	0526-0399-64	Washer-Flat (M12)	4
8	0850-0114-56	Washer-Spring Lock (M12)	4
9	0826-0026-57	Plain Nut Hex (M12)	4
10	0403-6235-01	Skid-75 Litre	1
11	0332-3984	Boot-Battery	1
12	0416-1203	Clamp-Battery Post +Ve	1
13	0416-1204	Clamp-Battery Post -Ve	1
14	0416-1232	Cable-Battery (-Ve)	1
15	0416-1231	Cable-Battery (+Ve)	1
16	0416-1237-02	Rod-Battery Holddown	2
17	0526-0399-58	Washer-Flat (M6)	2
18	0865-0030	Nut-Wing (M6)	2
19	0416-1236-02	Holddown-Battery	1
20	0416-1224	Battery	1
21	0416-1019	Boot-Battery Red	1
22	0416-1020	Boot-Battery Black	1
23	0800-3017-20	Screw- HHc (M8)	1
24	0850-0114-54	Washer-Lock (M8)	1
25	0526-0399-60	Washer-Flat (M8)	2
26	0309-0707-01	Switch-Level (Fuel)	1

Radiator Instl



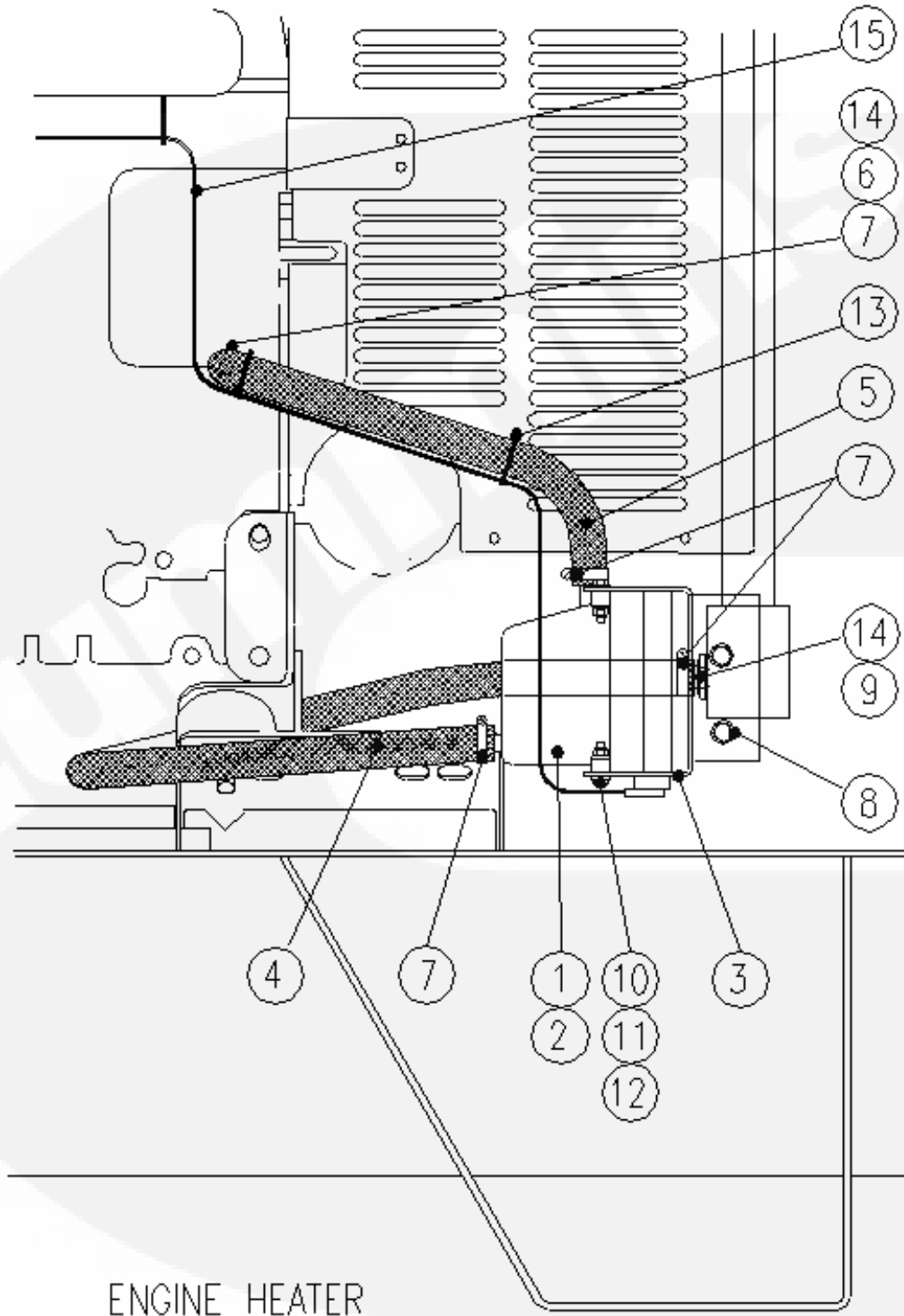
ITEM	PART NUMBER	DESCRIPTION	QTY
1	0130-6689	Radiator-SRF	1
2	0402-0878	Isolator-Vibration (Type MS232)	3
4	0526-0399-60	Washer-Flat (M8)	14
5	0526-0399-62	Washer-Flat (M10)	3
6	0526-0399-64	Washer-Flat (M12)	4
7	0800-3017-39	Screw-Hex Head (M10 X 35)	4
8	0800-3017-19	Screw-Hex Head (M8 X 20)	8
9	0800-3017-42	Screw-Hex Head (M10 X 50)	3
10	0800-3032	Screw-Hex Head (M12 X 30)	4
11	0850-0114-54	Washer-Lock (M8)	8
12	0850-0114-55	Washer-Lock (M10)	7
13	0862-0026-56	Nut-Hex (M10)	4
14	0862-0026-55	Nut-Hex (M8)	2
15	0130-6623	Tube-Overfill	A/R
16	0403-6125	Mount-Engine (LH)	1
17	0403-6126	Mount-Engine (RH)	1
18	0130-6690	Plate-Radiator Support	1
19	0130-6600	Radiator Cap	1
20	0130-6691	Shroud-Fan	1
21	0503-2684	Hose-Radiator-Bottom	1
22	0503-2685	Hose-Radiator-Top	1
23	0503-1872-01	Clamp Hose (1"-1.75")	4
24	0130-6692	Guard-Radiator (Left Hand)	1
25	0130-6693	Guard-Radiator (Right Hand)	1
26	0130-6694	Guard-Pulley (Charge Alt)	1
27	0130-7200	Bracket-Radiator Stay	1
28	0130-6714	Plate-Guard (Underside)	1
29	0504-0284	Valve-Drain (1/2"BSP)	1
30	0503-2633-01	Hose-Radiator (Drain)	1
31	0193-0568	Sensor-Low Coolant Level	1

Genset Instl



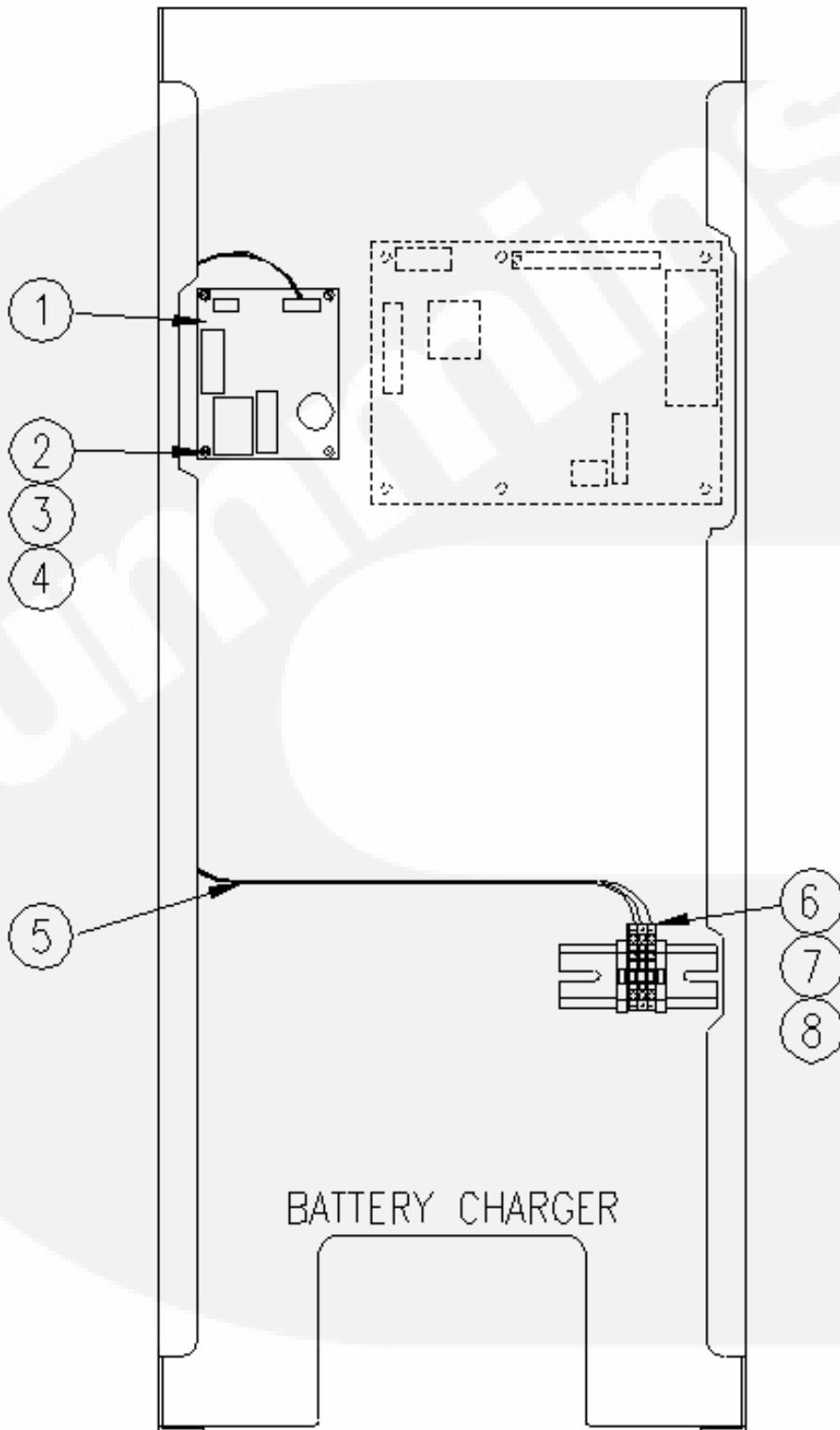
ITEM	PAGE NUMBER	DESCRIPTION	QTY
1	0402-0832	Isolator-Vibration (280/B3)	2
2	0526-0399-64	Washer-Flat (M12)	12
3	0850-0114-56	Washer-Lock (M12)	4
4	0862-0026-57	Nut-Hex (M12)	8
5	0800-3017-52	Screw-Hex Head (M12 X 20)	4
6	0403-6125	Engine Foot LH	1
7	0403-6126	Engine Foot RH	1
8	0800-3032	Screw-Hex Head Cap (M12 X 30)	4
9	N/A	Fuel Line (Engine Feed) Supplied With Engine	1
10	N/A	Fuel Line (Spill Return) ----"-----"----- --"-----	1
11	0402-0831	Isolator-Vibration (280/B2)	2
12	0403-5352-02	Mount-Generator	1
13	0800-3017-55	Screw-Hex Head (M12)	2
14	0200-3226-03	Alternator Wdg05 (BC164C) (C11)	1
14	0200-3226-04	Alternator Wdg05 (BC164D) (C15)	1
14	0200-3227-02	Alternator Wdg06 (BC164B) (C11)	1
14	0200-3227-04	Alternator Wdg06 (BC164D) (C15)	1

Heater Instl



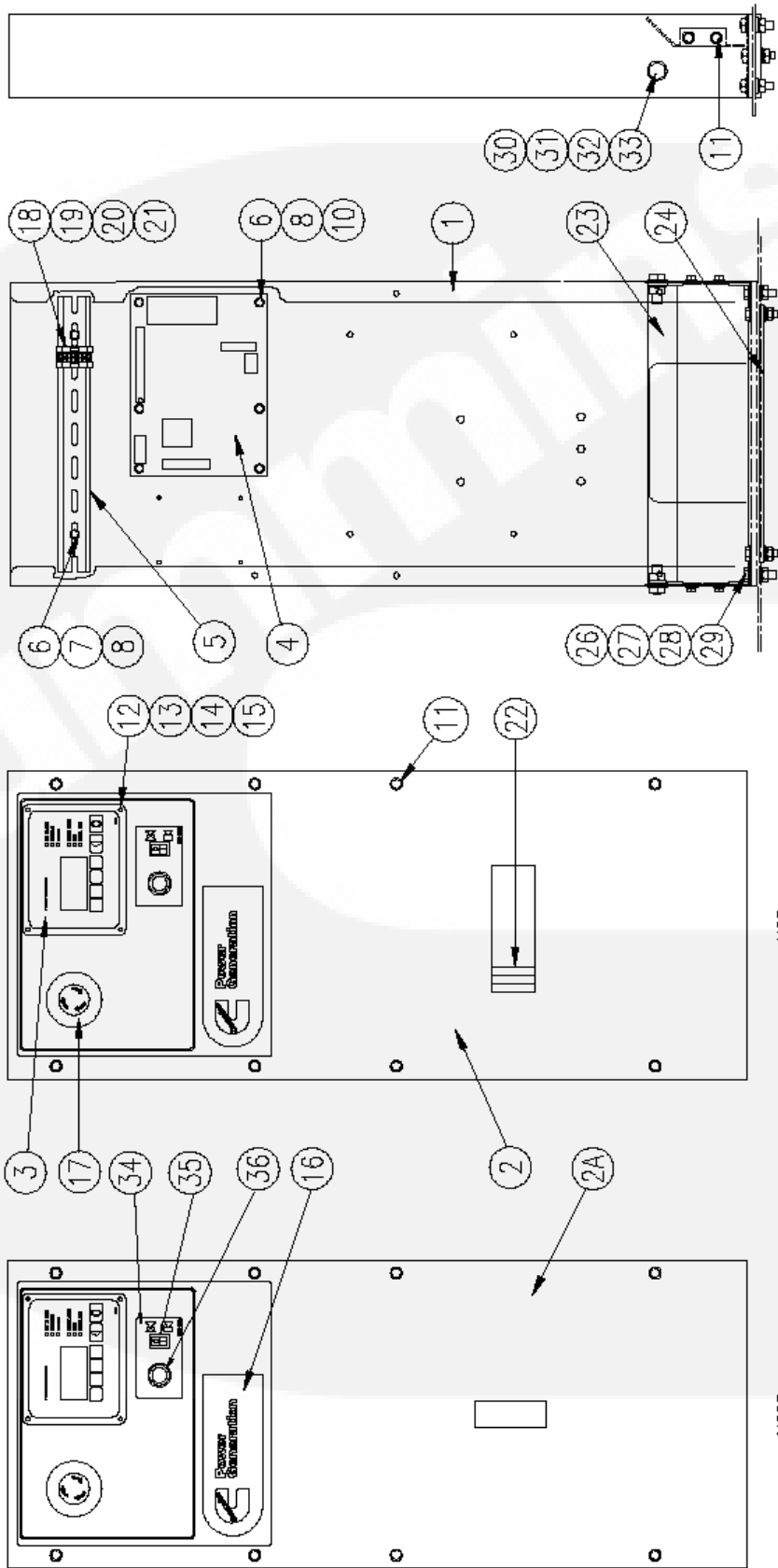
ITEM	PART NUMBER	DESCRIPTION	QTY
1	0333-0699	Heater-Engine Coolant-120v.	1
2	0333-0690	Heater-Engine Coolant-240v.	1
3	0130-7147-02	Bracket-Heater	1
4	0503-2474-20	Hose-Steam	1
5	0503-2474-08	Hose-Steam	1
6	0502-1508	Connector, Hose, 1/4" BSPT X 16mm Hose	2
7	0503-2385	Clamp-Hose (1"- 1. 3/4")	4
8	0821-6003-02	Screw-Sems Tap/Scr (M8 X 20)	2
9	0502-1490	Connector, Hose, 1/2" NPT X 16mm Hose	2
10	0800-3017-06	Screw-Hex Head (M6 X 30)	4
11	0526-0399-58	Washer-Flat (M6)	8
12	0870-0506	Nut-Lock (M6 Nyloc)	4
13	0332-1794	Tie-Cable	6
14	0524-0826	Sealant-Thread 577 (250ml)	1
15	N/A	Harness-Engine Heater (Supplied with Heater)	1

Battery Charger Instl



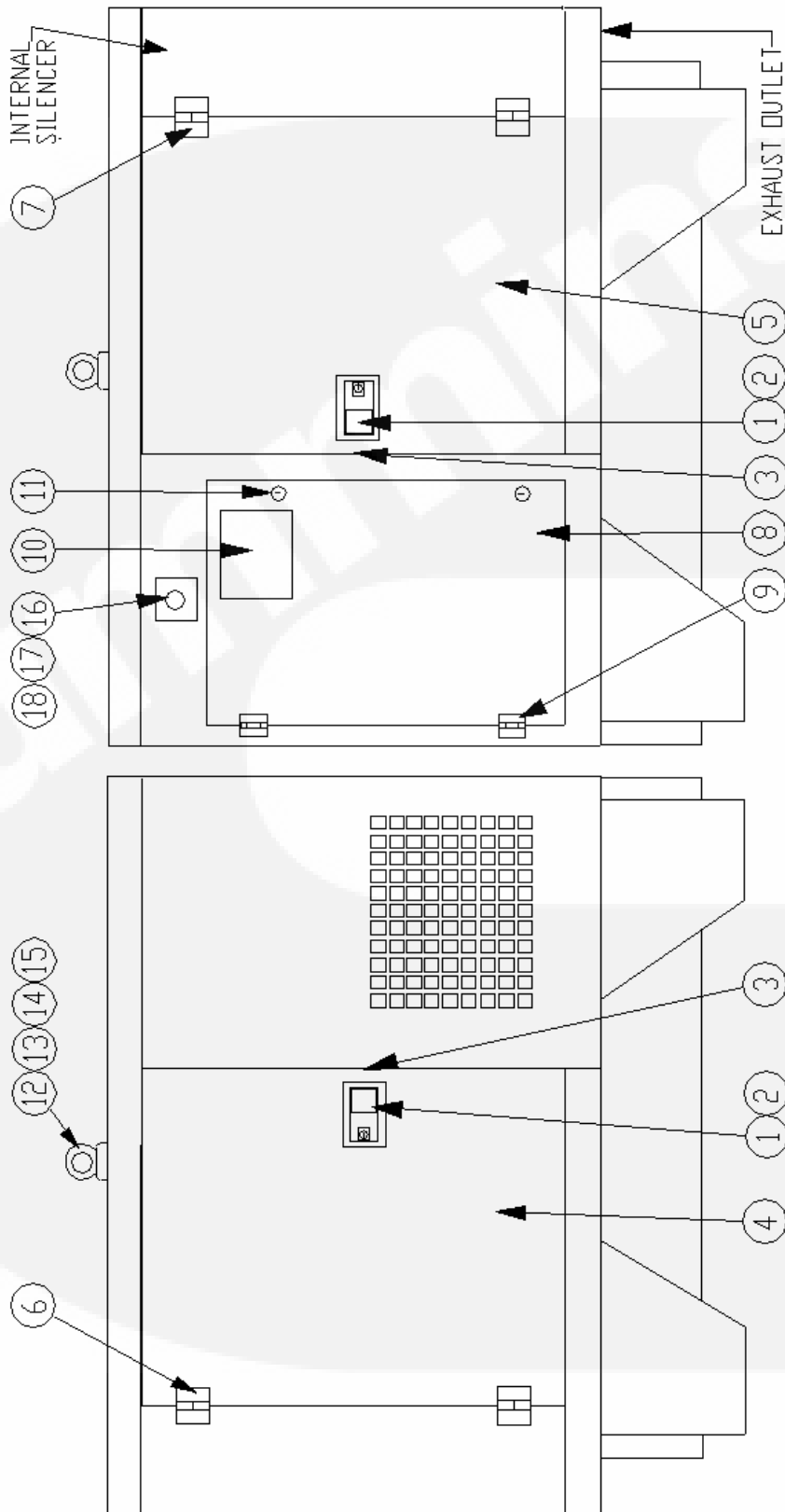
ITEM	PART NUMBER	DESCRIPTION	QTY
1	0416-1300	Charger-Battery (3A)	1
2	0526-0399-54	Washer-Flat (M4)	4
3	0800-0309-76	Screw-HHC (M4 x 16)	4
4	0850-0114-51	Washer-Lock (M4)	4
5	0338-4530	Harness-Battery Charger	1
6	0332-3923-02	Terminal Block	3
7	0332-3926	Terminal End Stop	2
8	0332-3927-02	End Plate	1

Control Assy



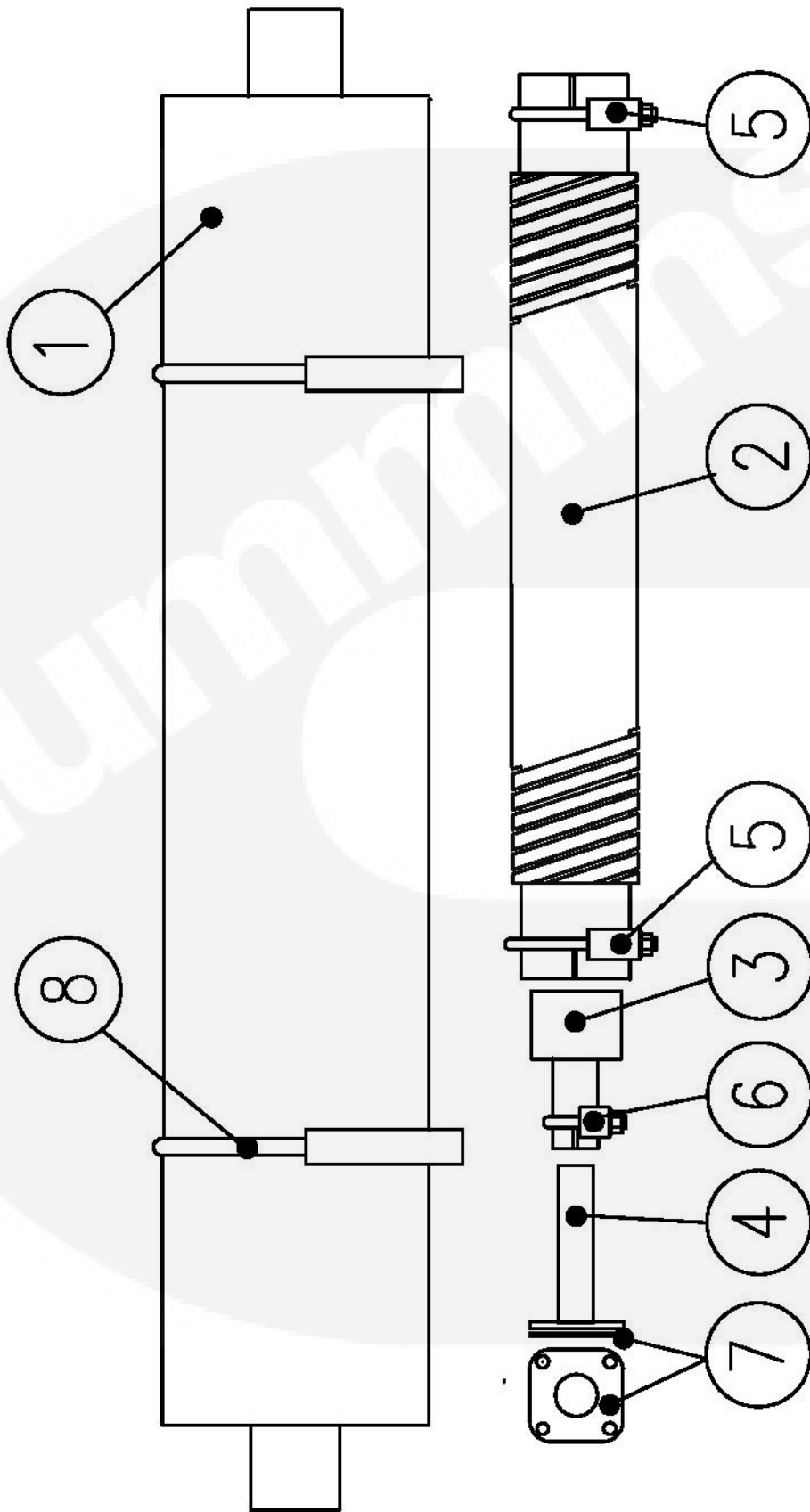
Item	Part Number	Description	Qty
1	0319-5495-02	Box-Control	1
2	0319-5496-02	Panel-Display (MCB)	1
2A	0319-5497-02	Panel-Display (MCCB)	1
3	0300-6014	Control Assy-Display	1
4	0327-1513-01	PCB Assy (PCC1301)	1
5	0332-4001-02	Rail-Terminal Block	1
6	0526-0399-56	Washer-Flat (M5)	8
7	0800-0309-88	Screw-Hex Head (M5 X 12)	2
8	0850-0114-52	Washer-Lock (M5)	8
10	0800-0309-91	Screw-Hex Head (M5 X 25)	6
11	0821-6002-02	Screw-Sems Tap/Scr (M6 X 12)	12
12	0526-0399-52	Washer-Flat (M3)	4
13	0822-3047	Screw-Pan Head (M3 X 20)	4
14	0850-2003	Washer-Lock (M3)	4
15	0862-0026-51	Nut-Hex (M3)	4
16	0098-8283	Label-Logo	1
17	0308-1178	Switch-Pushbutton E/Stop	1
18	0332-3923-01	Terminal Block (Wago)	2
19	0332-3925-01	Jumper-Terminal (Wago, 2-Way)	1
20	0332-3926	Terminal Block (End Stop)	2
21	0332-3927-01	Terminal Block (End Plate)	1
22	0320-2259	Circuit Breaker Blanking Strip	1
23	0319-5362-02	Cover-Control	1
24	0319-5364	Cover-Control (Cable Entrance)	1
26	0526-0399-60	Washer-Flat (M8)	12
27	0800-3017-21	Screw-HHM (M8 x 30)	6
28	0850-0114-54	Washer-Lock (M8)	6
29	0862-0026-55	Nut-Hex (M8)	6
30	0526-0399-62	Washer-Flat (M10)	4
31	0800-3017-37	Screw-HHM (M10 x 25)	2
32	0853-0040-56	Washer-ET Lock (M10)	4
33	0862-0026-56	Nut-Hex (M10)	2
34	0098-8322	Label-Information	1
35	0308-1191	Switch-Rocker	1
36	0300-5937	Module-Alarm	1
N/A	0338-4522	Harness-Alarm	1

Enclosure Assy



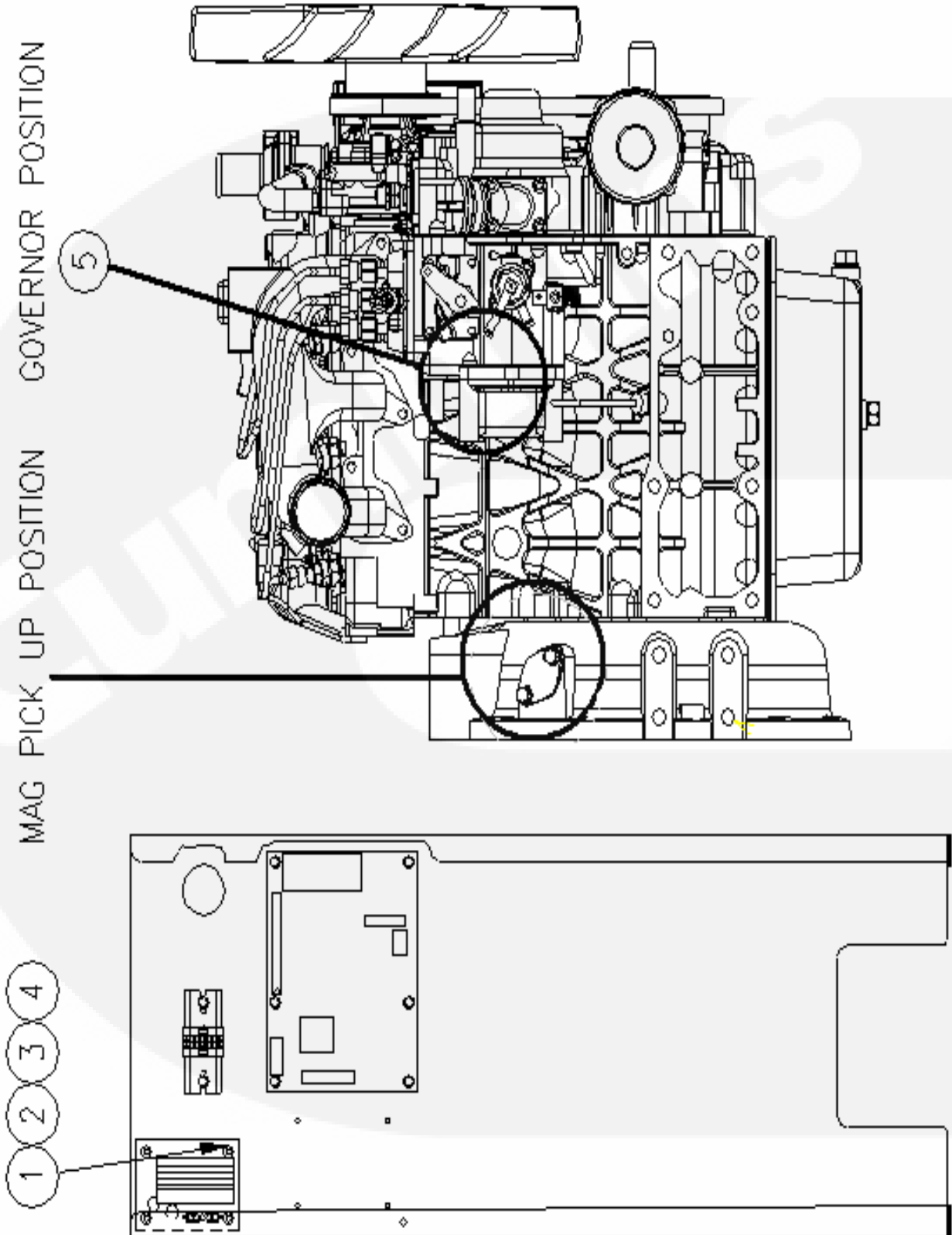
ITEM	PART NUMBER	DESCRIPTION	QTY
1	0406-1074	Key-Latch	2
2	0406-1059	Latch-Door	2
3	0406-1073	Catch-Lock	2
4	0405-8369-01	Door-Enclosure (LH)	1
5	0405-8369-02	Door-Enclosure (RH)	1
6	0406-1051	Hinge-LH	2
7	0406-1052	Hinge-RH	2
8	0405-8395-02	Door-Control	1
9	0406-1068	Hinge (Control Panel)	2
10	0405-8396	Window-Enclosure	1
11	0406-1069	Lock (Control Panel)	2
12	0403-5555	Lifting Eye	1
13	0526-0399-71	Washer-Flat (M20)	1
14	0860-2023-01	Nut-Hex (M20)	1
15	0870-2248-09	M20 Locknut (Nylon Insert)	1
16	0308-1175	Switch-Push Button	1
17	0319-5262	Cover-Switch Surround	1
18	0098-8025	Label	1
N/A	0338-4529	Harness-Accessory (E/Stop)	1

Muffler – Loose (Option)



ITEM	PART NUMBER	DESCRIPTION	QTY
1	0155-4154-01	Muffler (Ind Inline 9dB)	1
1	0155-4158-01	Muffler (Ind Inline 25dB)	1
2	0155-4334	Pipe-Exhaust Flex	1
3	0155-4332	Adaptor-Pipe	1
4	0155-4240	Adaptor-Exhaust	1
5	0305-1004	Clamp-'U' Bolt (80mm)	2
6	0155-2715	Clamp-'U' Bolt (1¾")	1
7	N/A	Gasket (Supplied with engine)	1
8	0155-4351	Heavy Duty Clamp (6")	2

Electronic Governor Instl



ITEM	PART NUMBER	DESCRIPTION	QTY
1	0327-1507	PCB Assy (Dynamo Governor)	1
2	0526-0399-56	Washer – Flat (M5)	8
3	0800-0309-91	Screw – Hex HD (M5)	4
4	0850-0114-52	Washer – Lock (M5)	4
5	0150-2878	Governor (KIT)	1
REF	0150-2880	Actuator-Linear	1
REF	0150-2884	Actuator-Linear (MTG BKT)	1
REF	0150-2896	Actuator-Linear (MTG BKT STRUT)	1
REF	0800-6390	Screw-Hex HD (M6 x 25 DIN933)	4
REF	0800-6391	Screw-Hex HD (M6 x 20 DIN933Z)	1
REF	0800-6397	Screw-Hex HD (M6 x 35 DIN933)	1
REF	0526-2334	Washer-Flat (M6 DIN125A)	5
REF	0850-2093	Washer-Spring Lock (M6 Din127B)	1
REF	0860-2081	Nut-Hex (M6 DIN934)	1
REF	0860-2077	Nut-Hex (Nyloc M6 DIN985)	5
REF	0150-2897	Actuator-Linear (INSTL KIT)	1
REF	0150-2898	Clevis-Governor (LINK)	1
REF	0150-2885	Lever-Actuator (Assy)	1
REF	0150-2899	Magnetic Pickup (Assy)	1
REF	0150-2886	Lever-Actuator (Spacer)	1

items marked REF are part of the Governor Kit 0150-2878.

Cummins



Cummins Power Generation Limited

Columbus Avenue,
Manston Park,
Manston, Ramsgate,
Kent. CT12 5BF.
England.

Telephone +44 (0) 1843 255000

Fax +44 (0) 1843 255902

Spares No +44 (0) 1843 255948

Spares Fax +44 (0) 1843 255913

E-Mail cpg.uk@cummins.com

Cummins Power Generation ©2006

