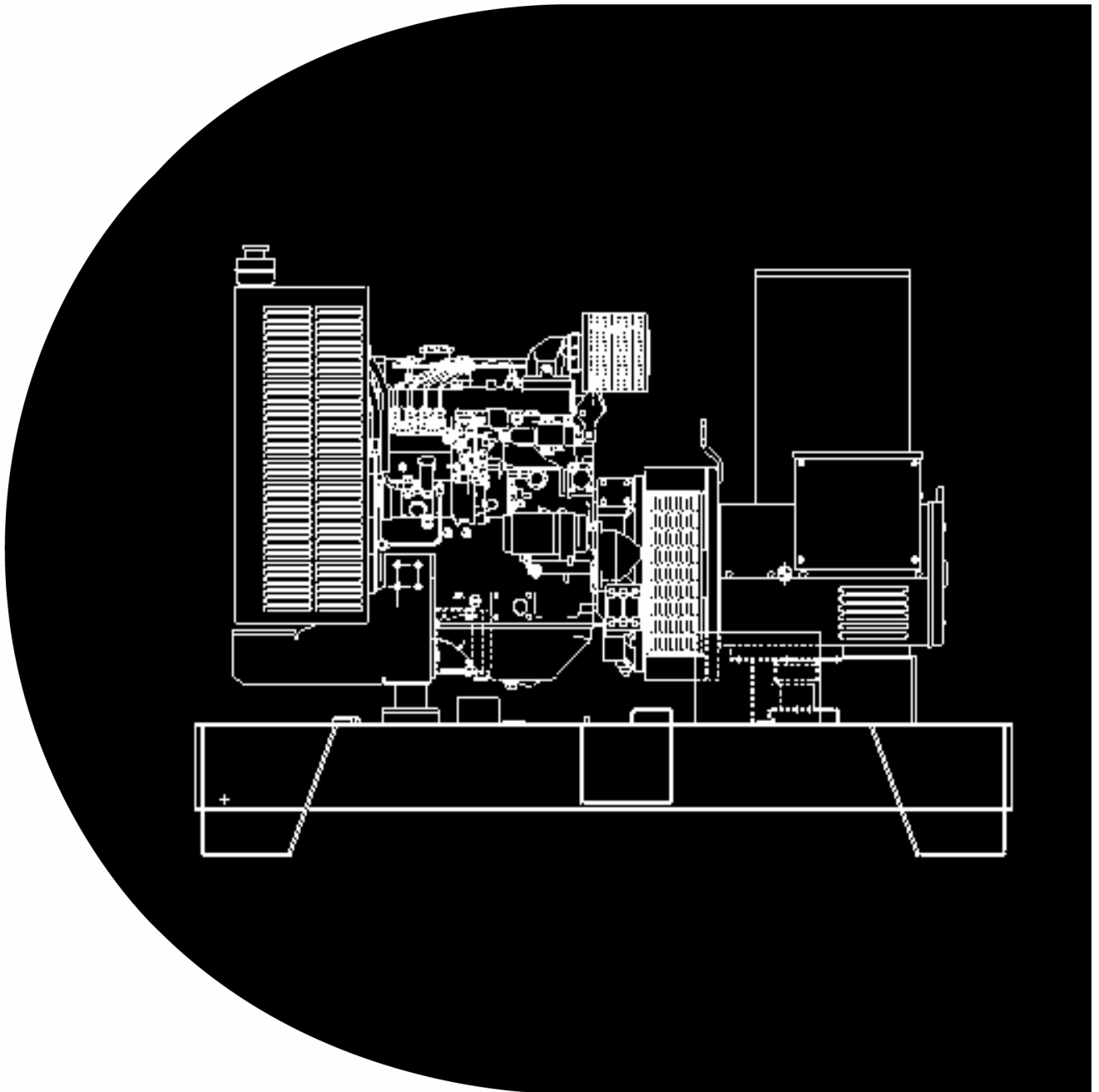


Parts Catalogue

SINGLE PHASE GENERATING SET

Models: C50D6, C55D5

With PCC 1301 Controller.

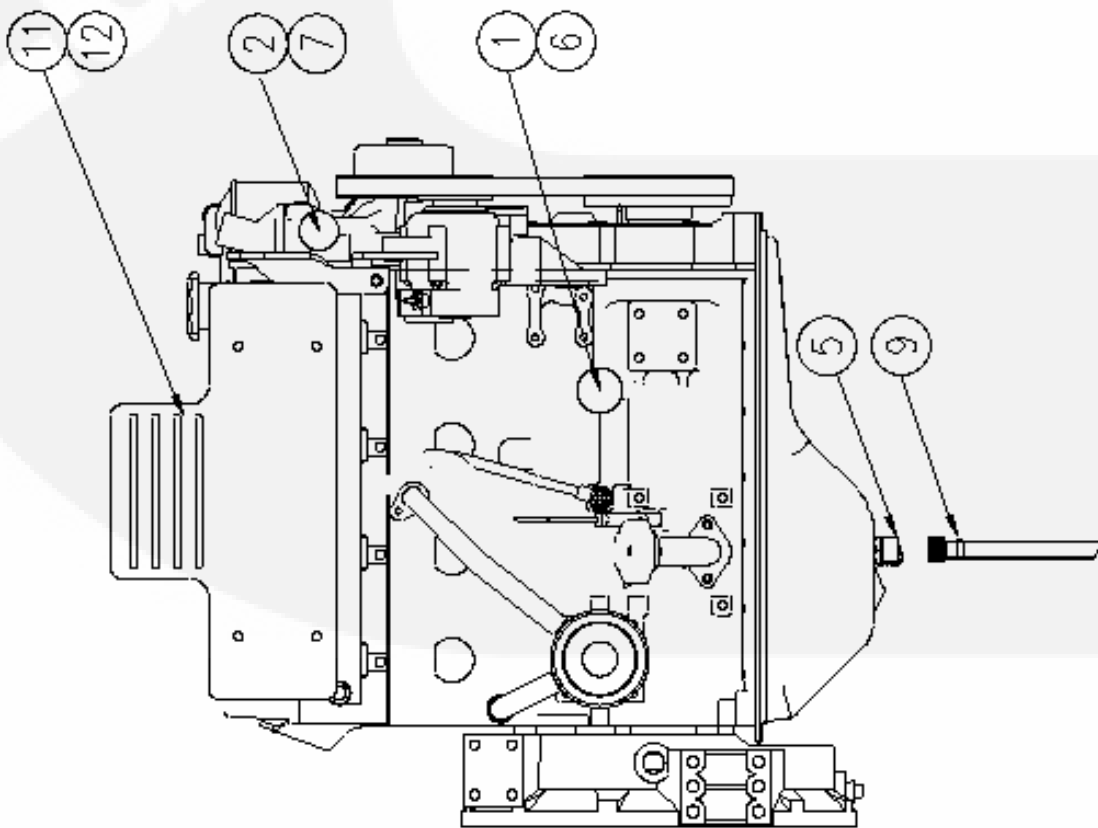
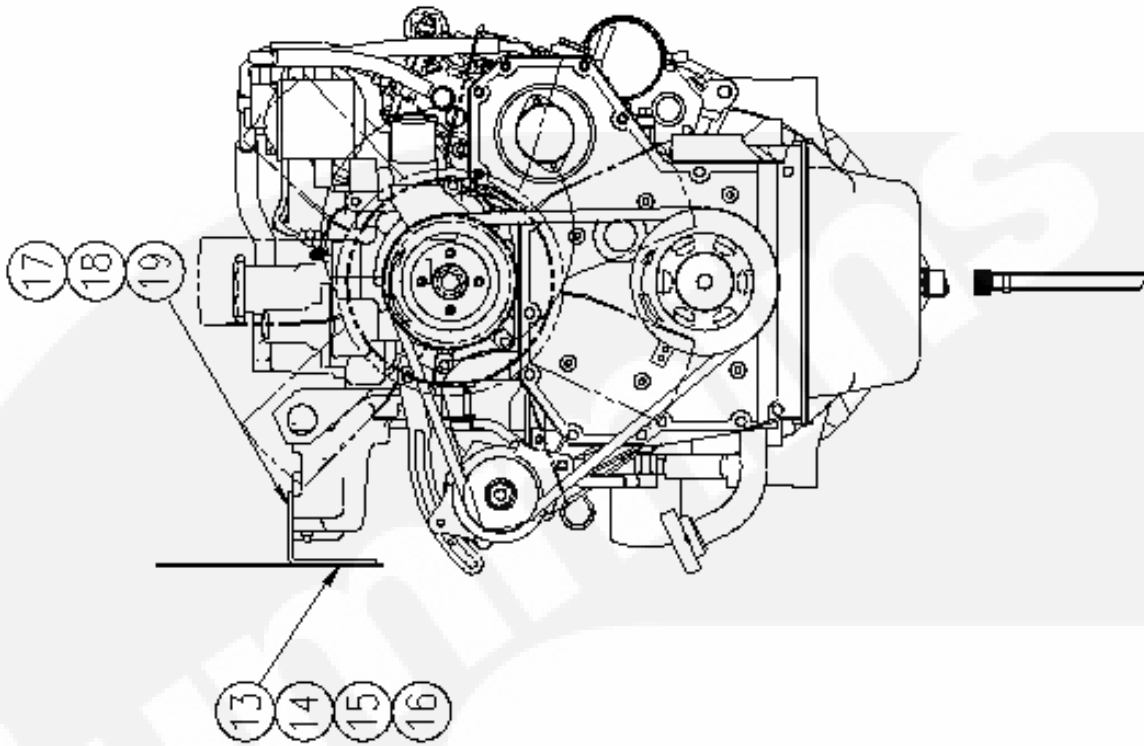


CONTENTS

0100-3926	Engine-Accessories	2
0179-4914	Circuit Breaker Instl (MCCB)	4
0179-4899	Circuit Breaker Instl (MCCB)	6
0179-3838	Transformer instl	8
0179-3783	Air Cleaner Instl	10
0179-3998	Muffler Instl - Enclosure	12
0179-4636	Skid Assy (With Tank)	14
0179-4489	Radiator Instl	16
0179-4498	Genset Instl (SRF Radiator)	18
0179-3786	Heater Instl	20
0179-3766	Battery Charger Instl	22
0300-5900	Control Assy	24
0405-9086	Enclosure Assy	26
0541-1161	Muffler – Loose (Option)	28
0179-4072	Electronic Governor Instl	30

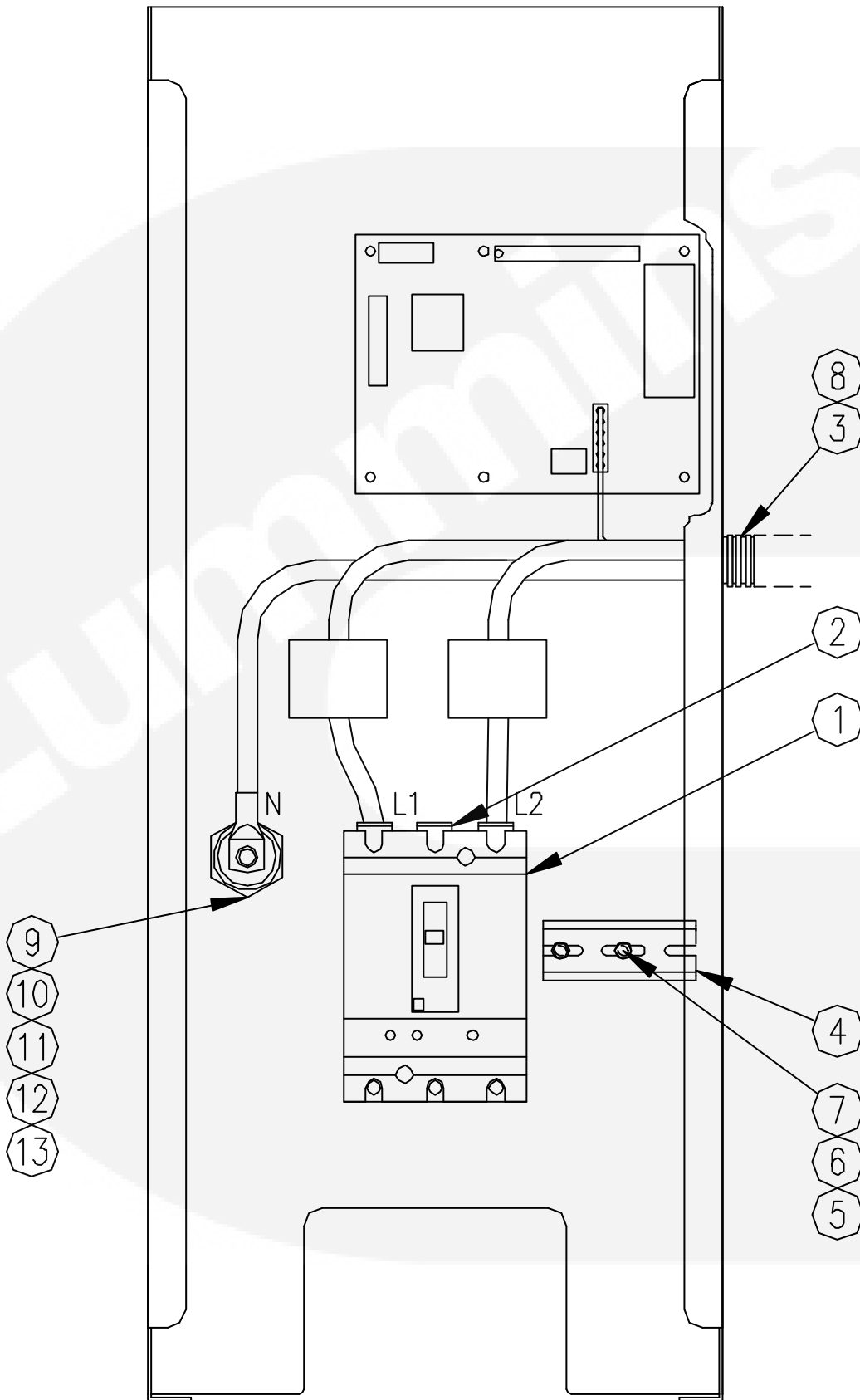


Engine Accessories



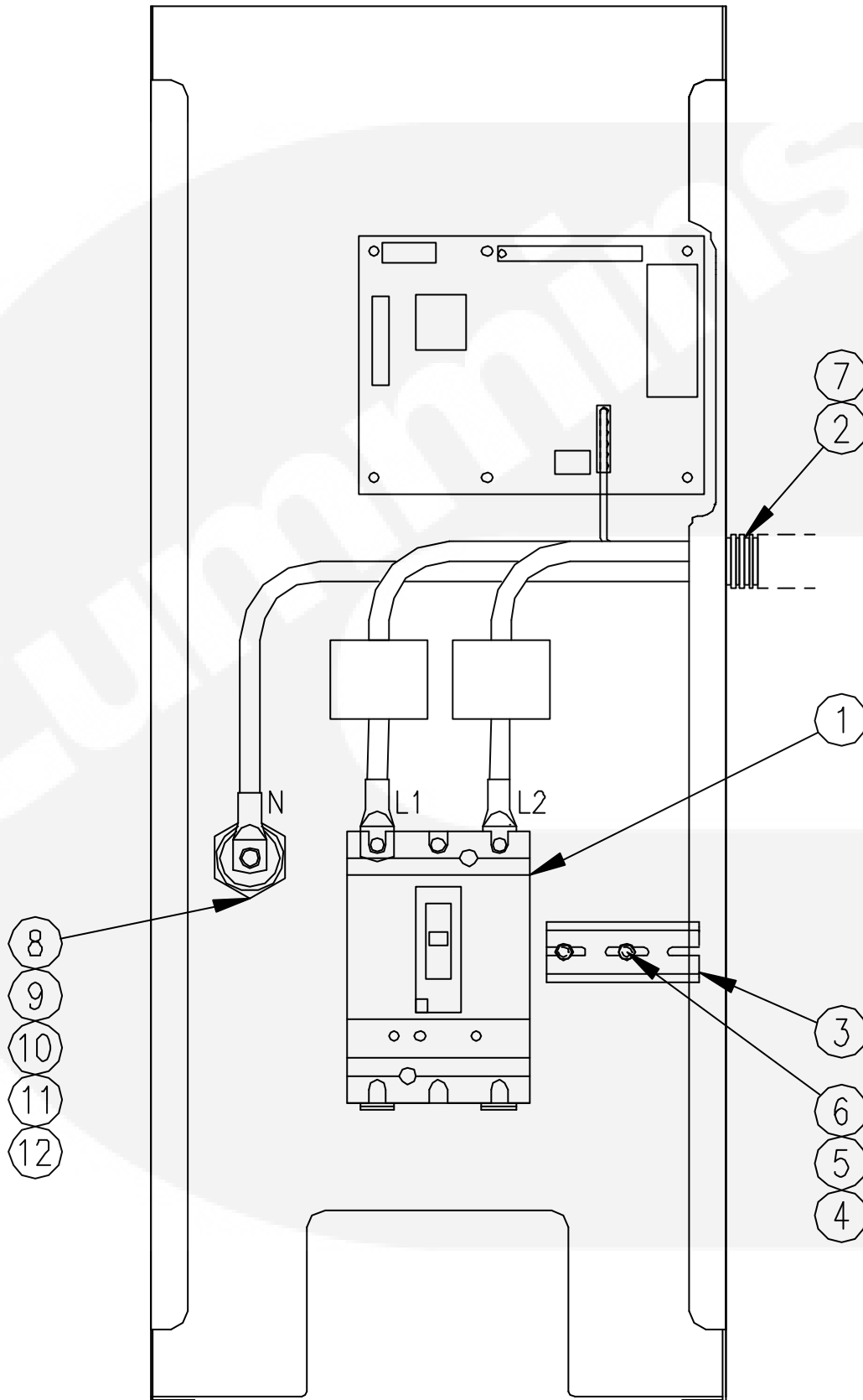
ITEM	PART NUMBER	DESCRIPTION	QTY
1	0193-0430-01	Switch-Pressure	1
2	0193-0432	Thermostat	1
3	0337-3583-04	Strap-Ground	2
4	0338-4487	Harness-Engine (Mechanical governor)	1
4	0338-4720	Harness-Engine (Electronic governor)	1
5	0504-0264-01	Valve-Hydraulic (Oil)	1
6	0505-2235	Adaptor-Pipe	1
7	0505-0019	Bushing-Reducer	1
8			
9	0502-1507	Adapter-Hose (Oil)	1
11	0127-0457-02	Turbocharger (Guard)	1
12	0127-0458-02	Turbocharger (Guard Support)	2
13	0526-0399-60	Washer-Flat (M8)	4
14	0800-3017-19	Screw-Hex Head (M8 X 20)	2
15	0850-0114-54	Washer-Lock (M8)	2
16	0862-0026-55	Nut-Hex (M8)	2
17	0526-0399-62	Washer-Flat (M10)	2
18	0800-3017-37	Screw-Hex Head (M10 X 25)	2
19	0850-0114-55	Washer-Lock (M10)	2
20	0100-3923	Engine-B3.3G2	1

Circuit Breaker (MCCB 160A, 250A IEC Approved)



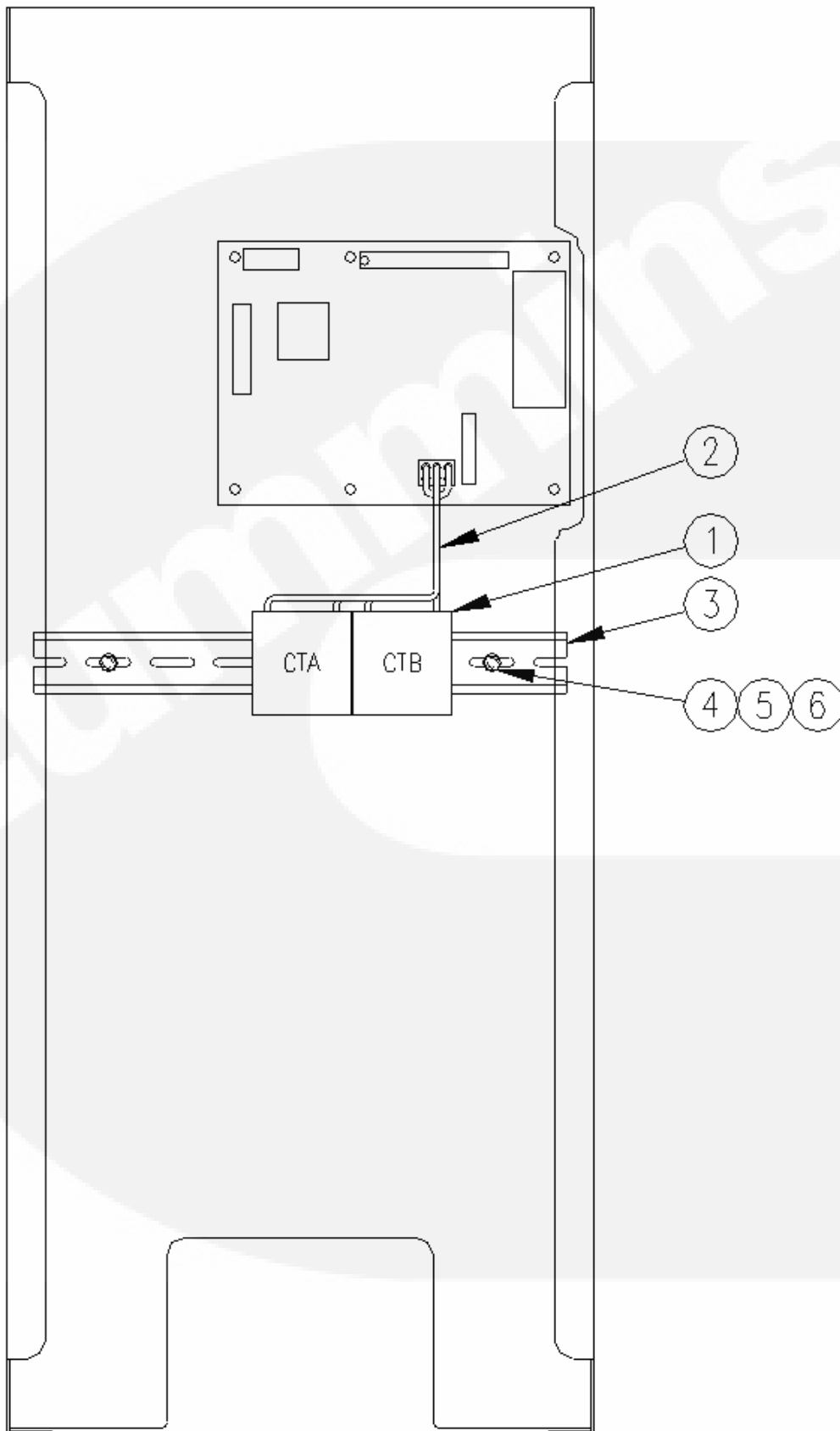
ITEM	PART NUMBER	DESCRIPTION	QTY
1	0320-2157-03	Circuit Breaker 160A 3P, C55D5, IEC Approved	1
1	0320-2157-05	Circuit Breaker 200A 3P, C50D6, IEC Approved	1
2	0320-2156-01	Accessories-CB (Bare Cable Connectors 3P)	1
2	0320-2156-03	Accessories-CB (Bare Cable Connectors 3P)	1
3	0338-4819-03	Harness AC	1
3	0338-4820-01	Harness AC	1
4	0332-4001-01	Rail-Terminal Block (300mm)	1
5	0526-0399-56	Washer-Flat (M5)	2
6	0800-0309-93	Screw-Hex Head (M5)	2
7	0850-0114-52	Washer-Lock (M5)	2
8	0331-0618-02	Locknut Conduit	2
9	0872-0021	Standoff	1
10	0526-0399-62	Washer Flat (M10)	2
11	0800-3017-35	Screw HHC (M10)	1
12	0850-0114-55	Washer Lock (M10)	2
13	0862-0026-56	Nut Hex (M10)	1
14	0320-1981-01	Accessories-CB (SD Contact)	1
15	0320-1981-02	Accessories-CB (Shunt Trip)	1

Circuit Breaker (MCCB 200A UL Approved)



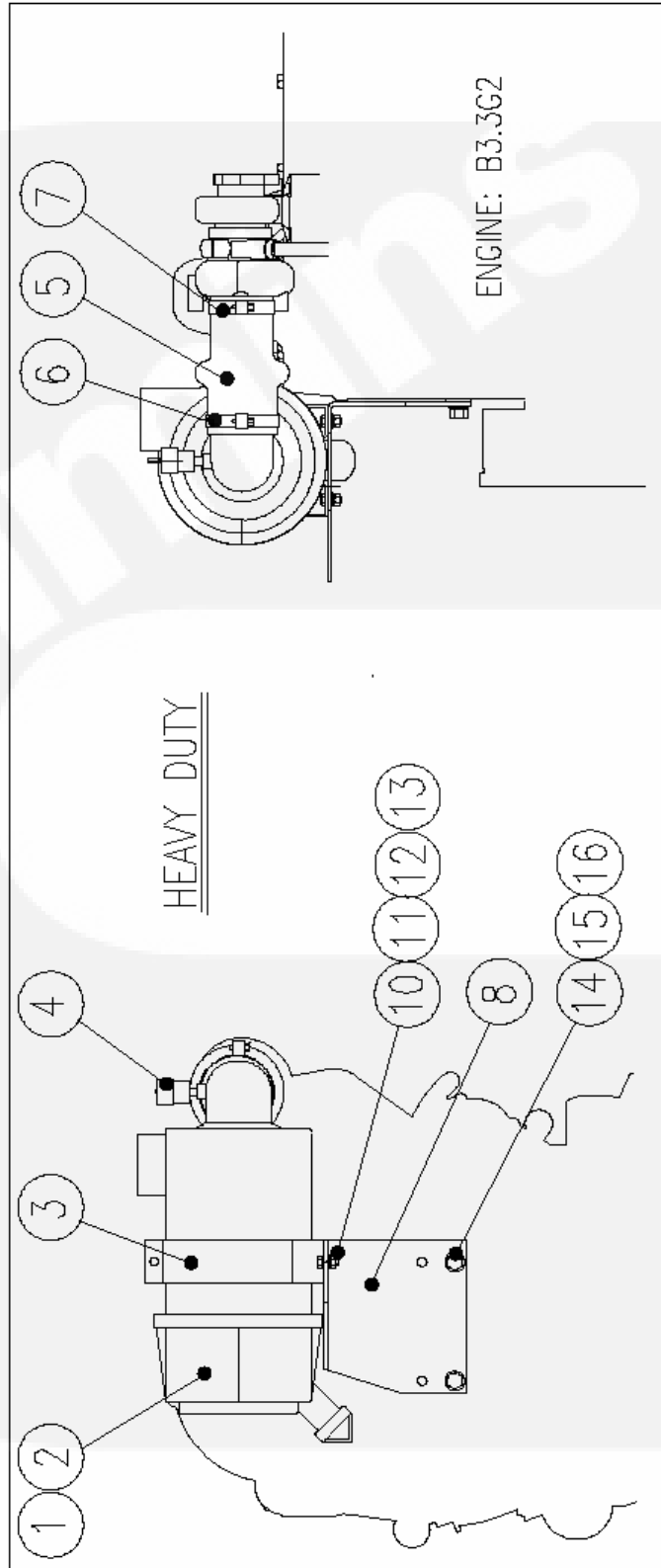
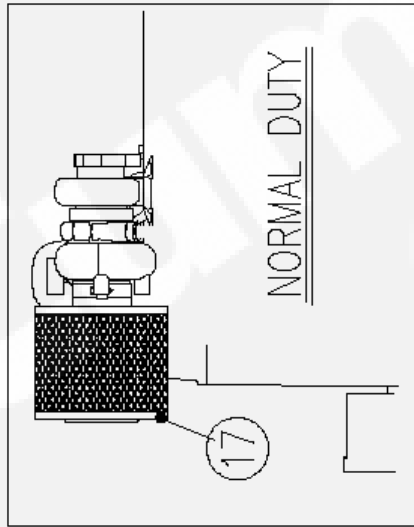
ITEM	PART NUMBER	DESCRIPTION	QTY
1	0320-2407-03	Circuit Breaker 200A 3P, C50D6 UL Approved	1
2	0338-4820-02	Harness AC	1
3	0332-4001-02	Rail-Terminal Block (300mm)	1
4	0526-0399-56	Washer-Flat (M5)	2
5	0800-0309-93	Screw-Hex Head (M5)	2
6	0850-0114-52	Washer-Lock (M5)	2
7	0331-0618-02	Locknut Conduit	2
8	0872-0021	Standoff	1
9	0526-0399-62	Washer Flat (M10)	2
10	0800-3017-35	Screw HHC (M10)	1
11	0850-0114-55	Washer Lock (M10)	2
12	0862-0026-56	Nut Hex (M10)	1
13	0320-1981-01	Accessories-CB (SD Contact)	1
14	0320-1981-02	Accessories-CB (Shunt Trip)	1

Transformer Instl.



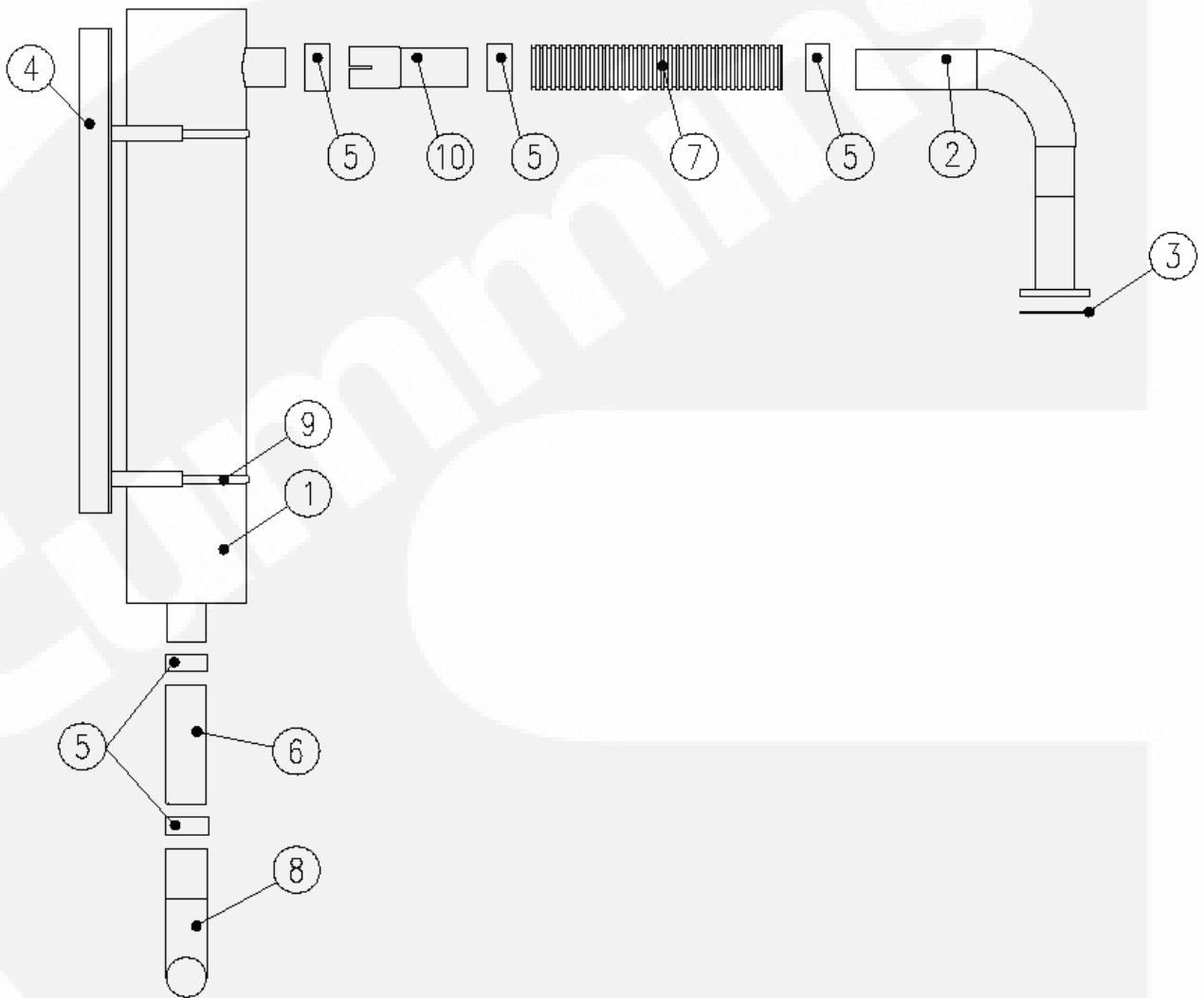
ITEM	PART NUMBER	DESCRIPTION	QTY
1	0315-1647-08	Transformer-Current 400:5 (1Ph), C55D5, C50D6.	2
2	0338-4458	Harness-AC	1
3	0332-4001-01	Rail-Terminal Block (300mm)	1
4	0526-0399-56	Washer-Flat (M5)	4
5	0800-0309-88	Screw-Hex Head (M5 X 12)	2
6	0850-0114-52	Washer-Lock (M5)	2

Air Cleaner Instl.



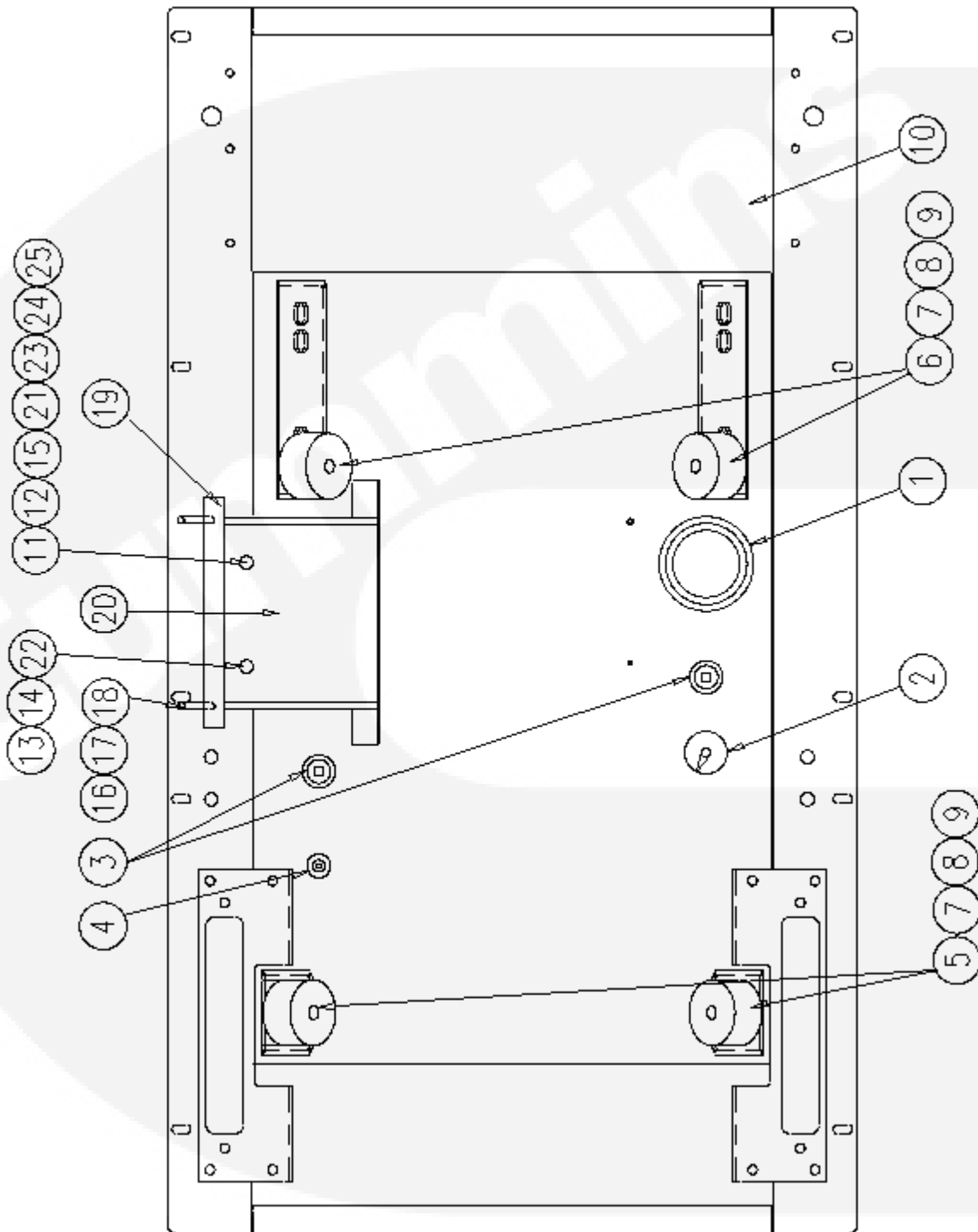
ITEM	PART NUMBER	DESCRIPTION	QTY
1	0541-1111	Air Cleaner (Heavy Duty)	1
2	0140-3765	Air Cleaner Element	1
3	0140-3766	Mounting Band	1
4	0140-3767	Indicator	1
5	0503-2546	Hose-Flexible	1
6	0140-3551	Clip	1
7	0503-2545	"T" Bolt Clamp	1
8	0140-3719-02	Bracket, Air Cleaner	1
10	0800-3017-19	Screw-Hex Head (M8 X 20)	2
11	0526-0399-60	Washer-Flat (M8)	2
12	0850-0114-54	Washer-Lock (M8)	2
13	0862-0026-55	Nut-Hex (M8)	2
14	0800-3017-37	Screw-Hex Head (M10 X 25)	2
15	0526-0399-62	Washer-Flat (M10)	2
16	0850-0114-55	Washer-Lock (M10)	2
17	0140-3830	Air Cleaner (Normal Duty) (cw Clamp)	1

Muffler Instl - Enclosure



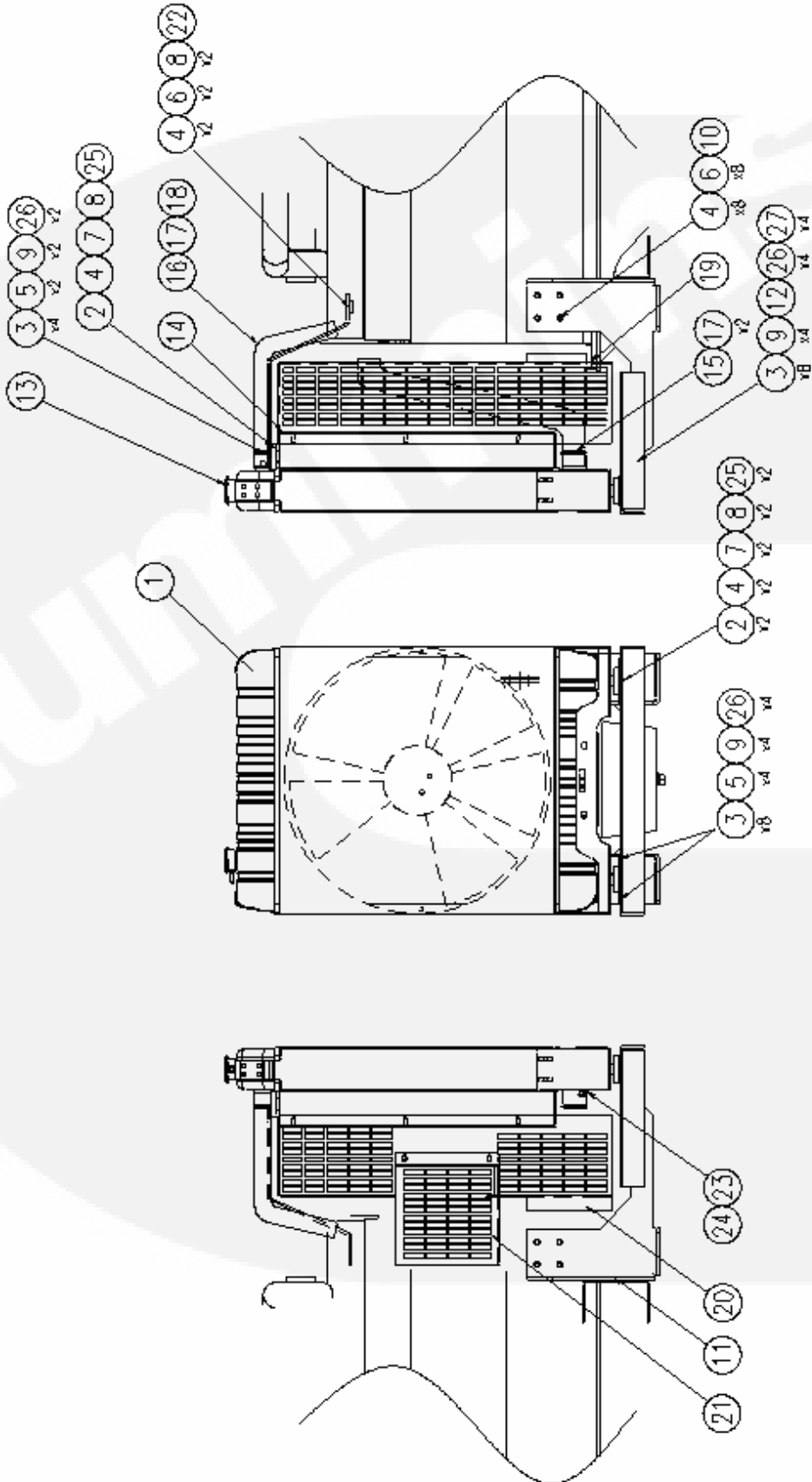
ITEM	PART NUMBER	DESCRIPTION	QTY
1	0155-4280	Muffler	1
2	0155-4358	Pipe-Exhaust	1
3	0155-4285	Gasket-Exhaust	1
4	0155-4376-03	Bracket-Exhaust	1
5	0155-4352	Clamp-Wide Band	5
6	0155-4356	Straight Connector	1
7	0155-4355	Pipe-Flexible	1
8	0155-4357	Pipe-90° Elbow	1
9	0155-4351	6" Clamp-Heavy Duty	2
10	0155-4510	Bulged Tube	1

Skid Assy (With Tank)



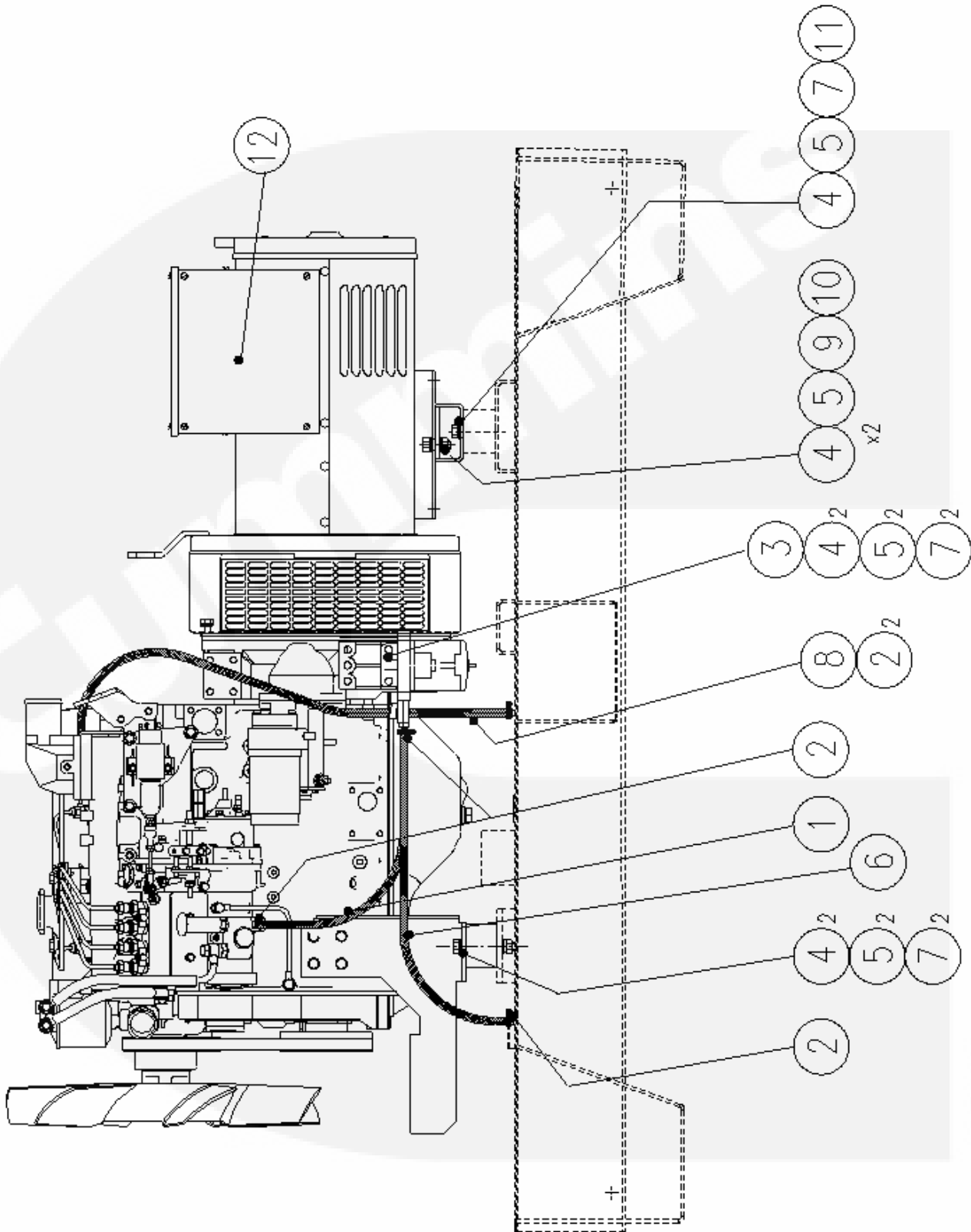
ITEM	PART NUMBER	DESCRIPTION	QTY
1	0159-1552	Cap-Filler	1
2	0193-0562	Gauge-Fuel Level	1
3	0505-1597	1" BSP Gunmetal Plug	2
4	0505-2087	Plug-Pipe 1/2"BSP	1
5	0402-0831	Isolator-Vibration (280/B2)	2
6	0402-0832	Isolator-Vibration (280/B3)	2
7	0526-0399-64	Washer-Flat (M12)	4
8	0850-0114-56	Washer-Spring Lock (M12)	4
9	0826-0026-57	Plain Nut Hex (M12)	4
10	0403-5419-02	Skid-75 Litre	1
11	0332-1141	Boot-Battery	1
12	0416-1203	Clamp-Battery Post +Ve	1
13	0416-1204	Clamp-Battery Post -Ve	1
14	0416-1216	Cable-Battery (-Ve)	1
15	0416-1233	Cable-Battery (+Ve)	1
16	0416-1241-02	Rod-Battery Holddown	2
17	0526-0399-58	Washer-Flat (M6)	2
18	0865-0030	Nut-Wing (M6)	2
19	0416-1236-02	Holddown-Battery	1
20	0416-1242	Battery	1
21	0416-1019	Boot-Battery Red	1
22	0416-1020	Boot-Battery Black	1
23	0800-3017-20	Screw- HHc (M8)	1
24	0850-0114-54	Washer-Lock (M8)	1
25	0526-0399-60	Washer-Flat (M8)	2
REF	0309-0707-04	Switch-Level (Fuel)	1

Radiator Instl.



ITEM	PART NUMBER	DESCRIPTION	QTY
1	0130-6598	Radiator-SRF	1
2	0402-0878	Isolator-Vibration	3
3	0526-0399-60	Washer-Flat (M8)	12
4	0526-0399-62	Washer-Flat (M10)	5
5	0800-3017-19	Screw-Hex Head (M8 X 20)	10
6	0800-3017-38	Screw-Hex Head (M10 X 30)	10
7	0800-3017-42	Screw-Hex Head (M10 X 50)	3
8	0853-0040-56	Washer-Lock (M10)	3
9	0862-0026-55	Nut-Hex (M8)	6
10	0403-6102	Mount-Engine LH	1
11	0403-6103	Mount-Engine RH	1
12	0130-6599	Support-Plate (Radiator)	1
13	0130-6600	Radiator Cap	1
14	0130-6601	Shroud-Fan	1
15	0503-2654	Hose-Coolant (Bottom)	1
16	0503-2653	Hose-Coolant (Top)	1
17	0503-1872-02	Clamp Hose (1.25"-2.13")	3
18	0503-1872-01	Clamp Hose (1"-1.75")	1
19	0130-6602	Guard-Radiator (Left Hand)	1
20	0130-6603	Guard-Radiator (Right Hand)	1
21	0130-6604	Guard-Radiator (Charge Alt)	1
22	0130-6605	Bracket-Radiator (Support)	1
23	0504-0284	Valve-Check (Drain 1/2"BSP)	1
24	0505-0013	Plug-Square Head (1/2" NPT)	2
25	0526-2306	Washer-Flat (M12)	3
26	0850-0114-54	Washer-Lock (M8)	4
27	0800-3017-20	Screw-Hex HD (M8 x 25mm)	4
28	0503-2633-01	Hose-Drain	1
REF	0130-6623	Overfill Tube	AR
REF	0193-0568	Sender-Low Coolant Level	1

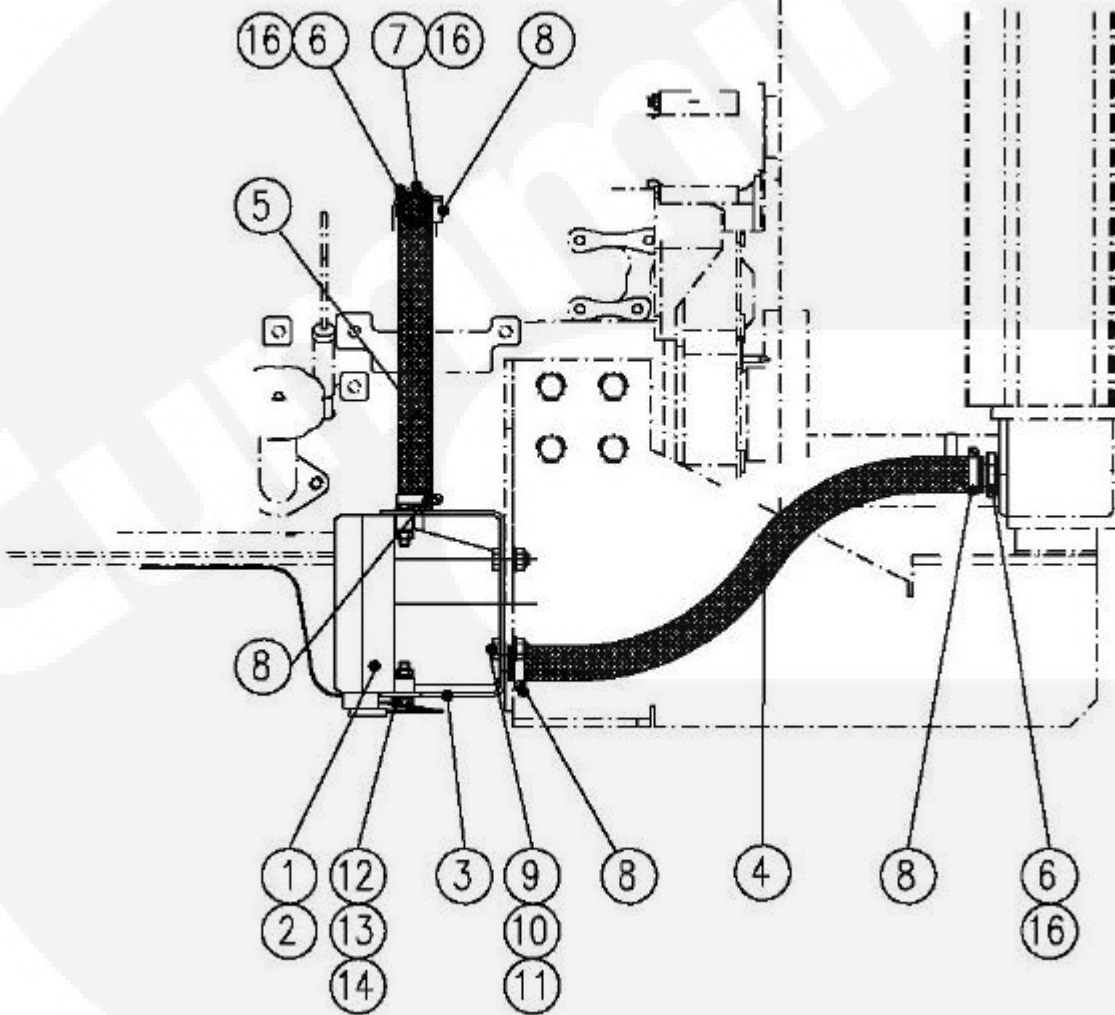
Genset Instl.



ITEM	PAGE NUMBER	DESCRIPTION	QTY
1	0501-0875	Line – Fuel (Engine Feed – 550mm LG)	1
2	0503-2467	Clamp - Hose	6
3	0149-2744	Separator – Fuel / Water	1
4	0526-0399-64	Washer – Flat SteelM12	12
5	0850-0114-56	Washer –Spring Lock M12	10
6	0501-0955	Line – Fuel (3/8" x 740mm)	1
7	0800-3017-52	Screw – HHC M12 x 1.75 x 20LG	6
8	0501-0956	Line-Fuel (3/16"x850mm)	1
9	0862-0026-57	Nut – Hex (M12)	2
10	0800-3017-55	Screw – HHC M12 x 1.75 x 35LG	2
11	0403-5586-02	Mount - Alternator	1
12	0200-3231-02	Alternator Wdg 05 (UC224D) (C55D5)	1
12	0200-3232-02	Alternator Wdg 06 (UC224D) (C50D6)	1

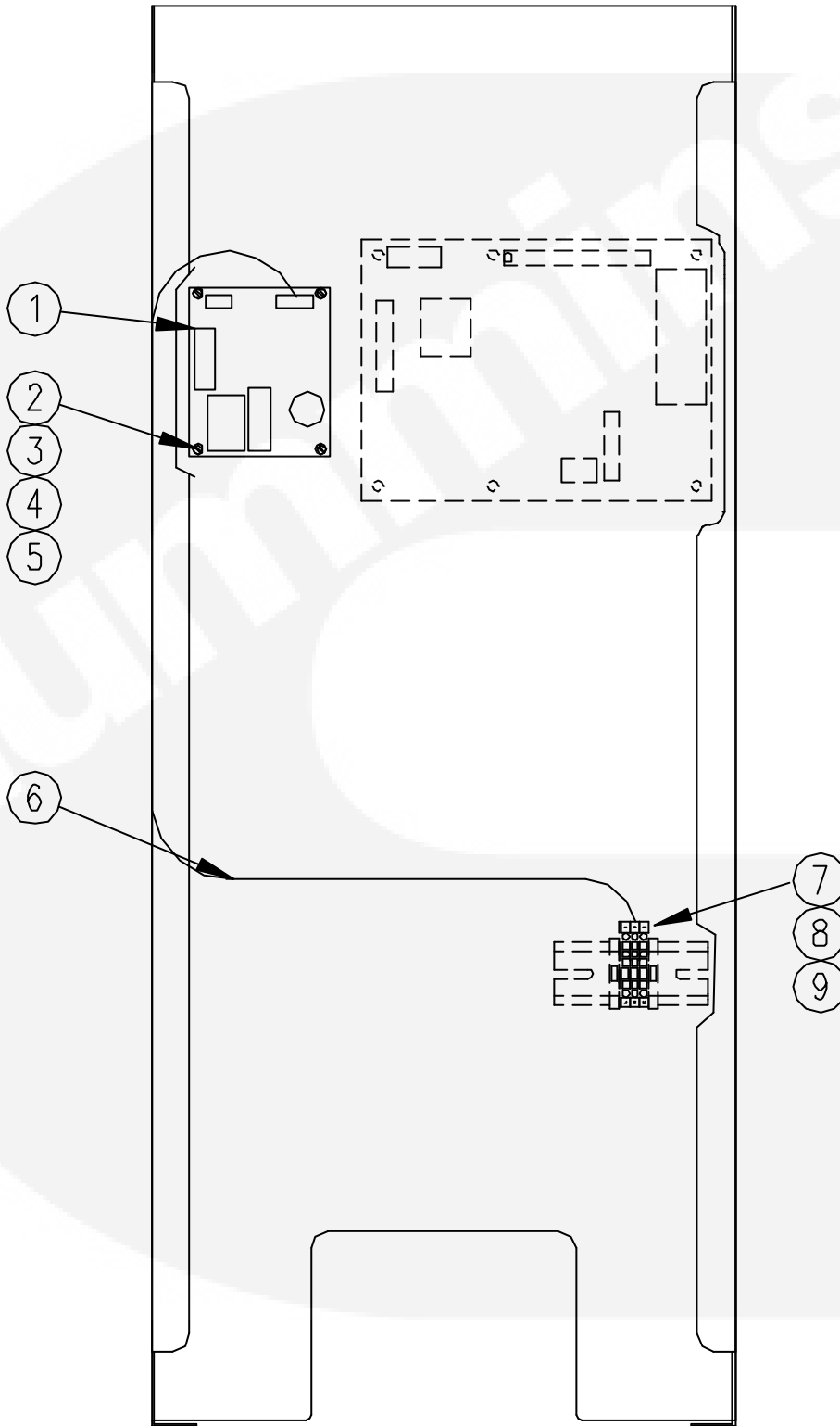
Heater Instl.

ENGINE: B3.3G1/G2



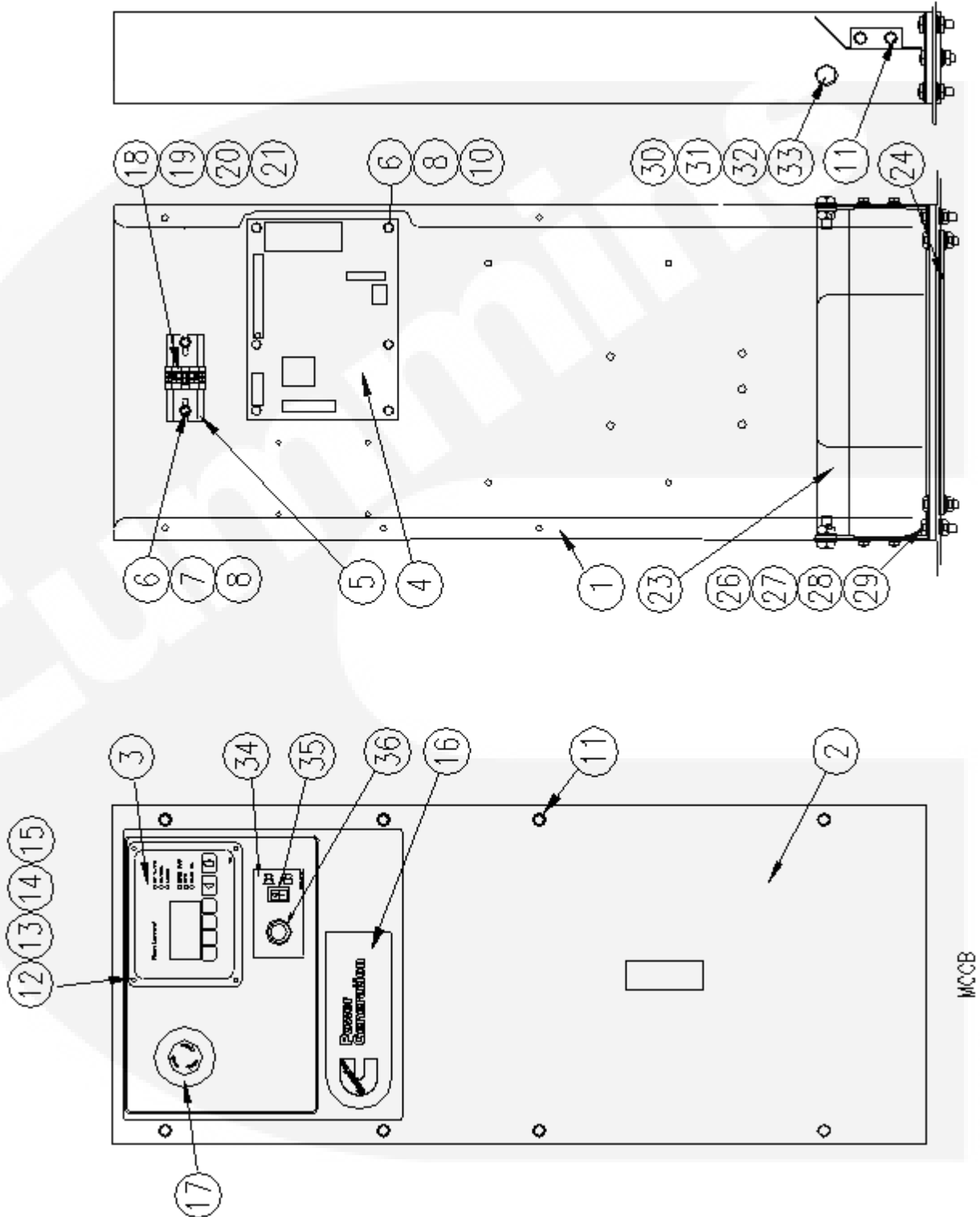
ITEM	PART NUMBER	DESCRIPTION	QTY
1	0333-0699	Heater-Engine Coolant-120v.	1
2	0333-0690	Heater-Engine Coolant-240v.	1
3	0133-0232-02	Bracket-Heater	1
4	0503-2474-07	Hose-Steam	1
5	0503-2474-06	Hose-Steam	1
6	0502-1508	Connector, Hose,1/4" BSPT X 16mm	2
7	0505-2236	Adaptor-Hose (3/8"BSPPx1/4 "BSPM/F)	1
8	0503-2385	Clamp-Hose (1"- 1. 3/4")	4
9	0821-6003-02	Screw-Sems Tap/Scr (M8 X 20)	2
10	0526-0399-60	Washer – Flat (M8)	2
11	0870-2248-05	Nut – Lock (M8 Nyloc)	2
12	0800-3017-06	Screw – Hex HD (M6 x 30)	4
13	0526-0399-58	Washer – Flat (M6)	8
14	0870-0506	Nut – Lock (M6 Nyloc)	4
15	0332-1794	Tie - Cable	6
16	0524-0826	Sealant – Thread 577 (250ml)	1

Battery Charger Instl.



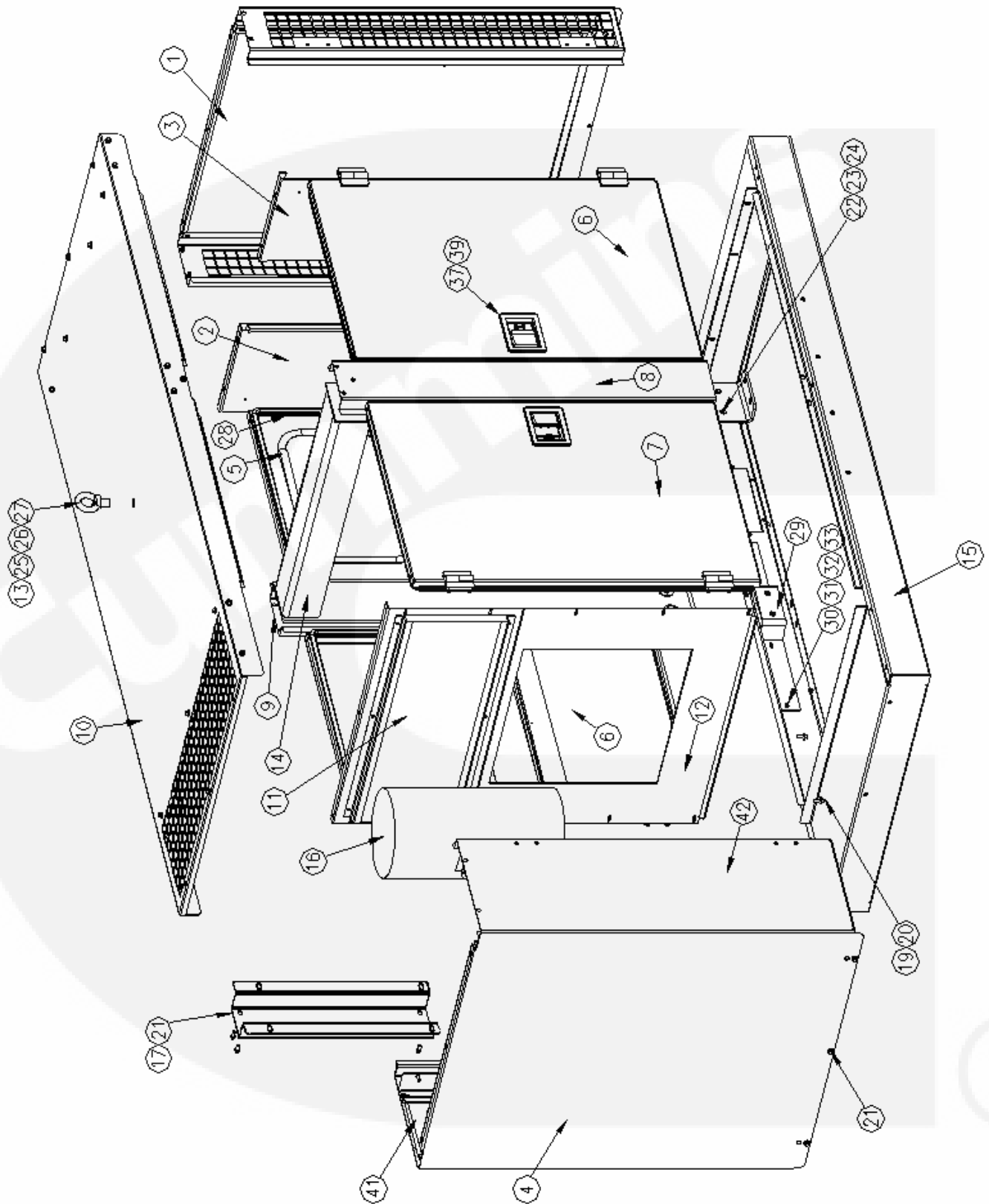
ITEM	PART NUMBER	DESCRIPTION	QTY
1	0416-1225	Charger-Battery	1
2	0526-0399-52	Washer-Flat (M3)	8
3	08222-3047	Screw-Pan HD SLTD (M3 x 20)	4
4	0850-0114-50	Washer-Lock (M3)	4
5	0862-0026-51	Nut-Hex (M3)	4
6	0338-4530	Harness-Battery Charger	1
7	0332-3923-02	Terminal Block	3
8	0332-3926	Terminal End Stop	2
9	0332-3927-02	End Plate	1
10	0098-8326	Label-Warning	1

Control Assy.



Item	Part Number	Description	Qty
1	0319-5495-02	Box-Control	1
2	0319-5497-02	Panel-Display (MCCB)	1
3	0300-6014	Control Assy-Display	1
4	0327-1513-01	PCB Assy (PCC1301)	1
5	0332-4001-02	Rail-Terminal Block	1
6	0526-0399-56	Washer-Flat (M5)	8
7	0800-0309-88	Screw-Hex Head (M5 X 12)	2
8	0850-0114-52	Washer-Lock (M5)	8
10	0800-0309-91	Screw-Hex Head (M5 X 25)	6
11	0821-6002-02	Screw-Sems Tap/Scr (M6 X 12)	8
12	0526-0399-52	Washer-Flat (M3)	4
13	0822-3047	Screw-Pan Head (M3 X 20)	4
14	0850-2003	Washer-Lock (M3)	4
15	0862-0026-51	Nut-Hex (M3)	4
16	0098-8283	Label-Logo	1
17	0308-1178	Switch-Pushbutton E/Stop	1
18	0332-3923-01	Terminal Block (Wago)	2
19	0332-3925-01	Jumper-Terminal (Wago, 2-Way)	1
20	0332-3926	Terminal Block (End Stop)	2
21	0332-3927-01	Terminal Block (End Plate)	1
23	0319-6395-02	Cover-Control	1
24	0319-5364	Cover-Control (Cable Entrance)	1
26	0526-0399-60	Washer-Flat (M8)	12
27	0800-3017-21	Screw-HHM (M8 x 30)	6
28	0850-0114-54	Washer-Lock (M8)	6
29	0862-0026-55	Nut-Hex (M8)	6
30	0526-0399-62	Washer-Flat (M10)	4
31	0800-3017-37	Screw-HHM (M10 x 25)	2
32	0853-0040-56	Washer-ET Lock (M10)	4
33	0862-0026-56	Nut-Hex (M10)	2
34	0300-5937	Module-Alarm	1
35	0308-1191	Switch-Rocker	1
36	0098-8322	Label-Information	1

Enclosure Assy.



ITEM	PART NUMBER	DESCRIPTION	QTY
1	0405-8126	Duct-Air (Assy)	1
2	0405-8130	Panel-Duct (Assy)	1
3	0405-8133	Panel-Duct (Assy)	1
4	0405-8991-01	Duct-Air (Assy End)	1
5	0405-8149	Door-Access (Assy)	1
6	0405-8150-01	Door-Access (Assy)	2
7	0405-8150-02	Door-Access (Assy)	1
8	0405-8155-03	Panel-Enclosure (Assy)	1
9	0405-8213	Panel-Enclosure (Assy)	1
10	0405-8187	Roof-Enclosure (Assy)	1
11	0405-9135	Panel-Enclosure (Rad Assy)	1
12	04045-9134-02	Panel-Enclosure (Radiator)	1
13	0403-5556	Lifting-Eye (M24 x 127)	1
14	0403-5398-02	Frame-Carrying (Assy)	1
15	0403-5406	Enclosure Base	1
16	0155-4280	Muffler	1
17	0155-4376-03	Bracket-Muffler	1
18	0526-0399-60	Washer-Flat (M8)	4
19	0800-3017-19	Screw-HHC (M8 x 20)	22
20	0853-0400-55	Washer-EIT (M8)	22
21	0800-6373-02	Screw-Hex FLG HD (M8 x 20)	47
22	0526-0399-66	Washer-Flat (M16)	12
23	0800-3017-74	Screw-HHC (M16)	8
24	0850-0114-57	Washer-Lock (M16)	8
25	0526-0399-72	Washer-Flat (M24)	1
26	0870-2248-10	Nut-Lock (M24 x 3.0 (10.9))	1
27	0860-2024-01	Nut-Hex (M24 x 3.0 (10.9))	1
28	0508-1199	Edging	14.2m
29	0403-5399-02	Plate-Lifting	2
30	0526-0399-64	Washer-Flat (M12)	8
31	0750-0114-56	Washer-Lock (M12)	8
32	0862-0026-57	Nut-Hex (M12)	8
33	0800-6376-04	Screw-Hex FLG HD (M12 x 30)	8
35	0179-3802	Label-Installation	1
36	0541-1171	Muffler Kit	1
37	0406-1073	Catch-Lock	4

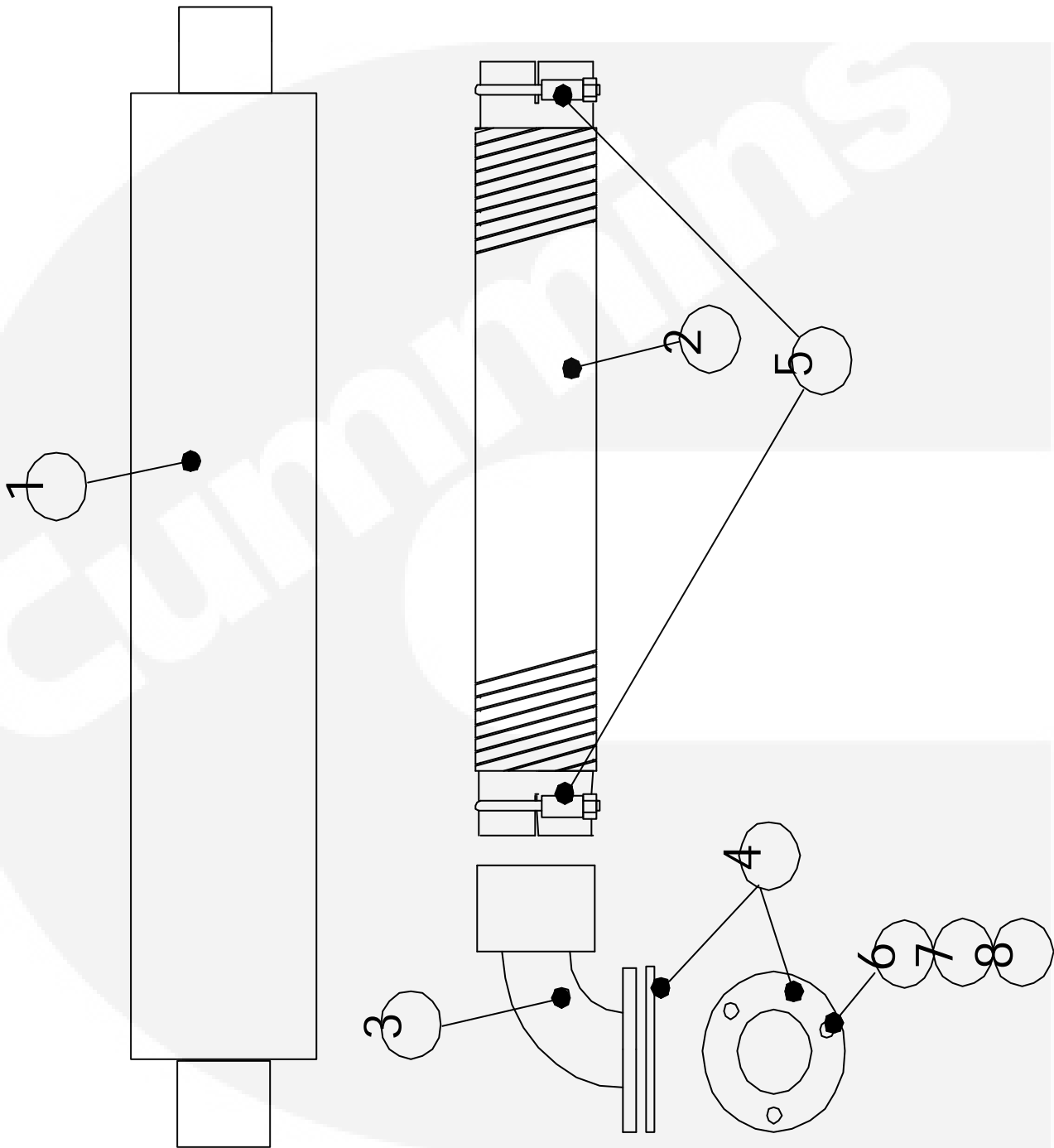
ITEM	PART NUMBER	DESCRIPTION	QTY
38	0406-1074	Key-Lock	2
39	0406-1059	Latch-Door	4
41	0405-8989-01	Duct-Air (Assy RH)	1
42	0405-8990-01	Duct-Air (Assy LH)	1
43	0405-9745	Seal-Enclosure (Air Outlet)	1
44	0815-0954-02	Screw-FL HD Mach (M8 x 20)	12
45	0800-3017-70	Screw-Hex HD (M16 x 2.0 x 30 CL8.8)	4
46	0308-1175	Switch-Push Button	1
47	0319-5262	Cover-Switch Surround	1
48	0098-8025	Label	1
49	0406-1051	Hinge-LH	4
50	0406-1052	Hinge-RH	4
51	0338-4529	Harness-Accessory (E/Stop)	1



BLANK PAGE

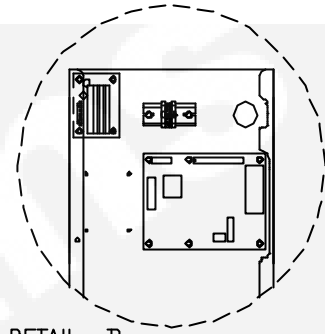
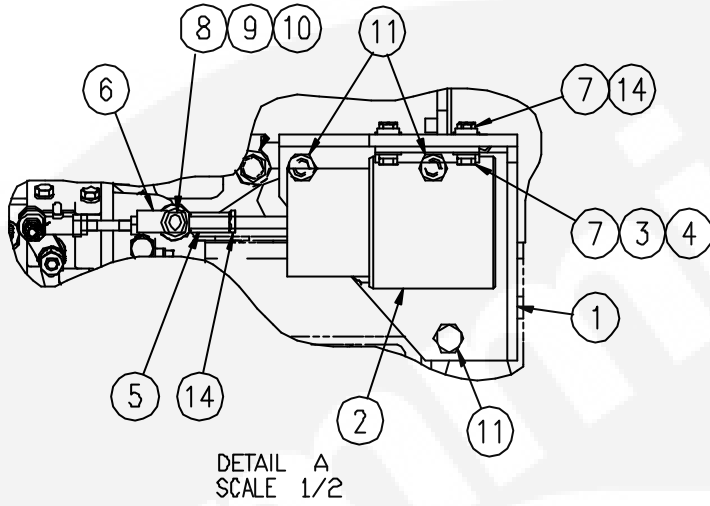


Muffler – Loose (Option)



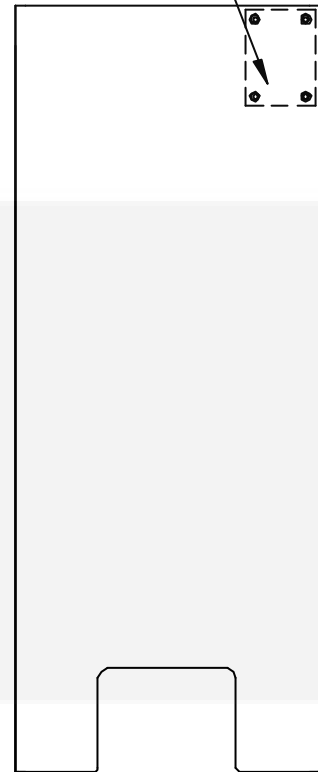
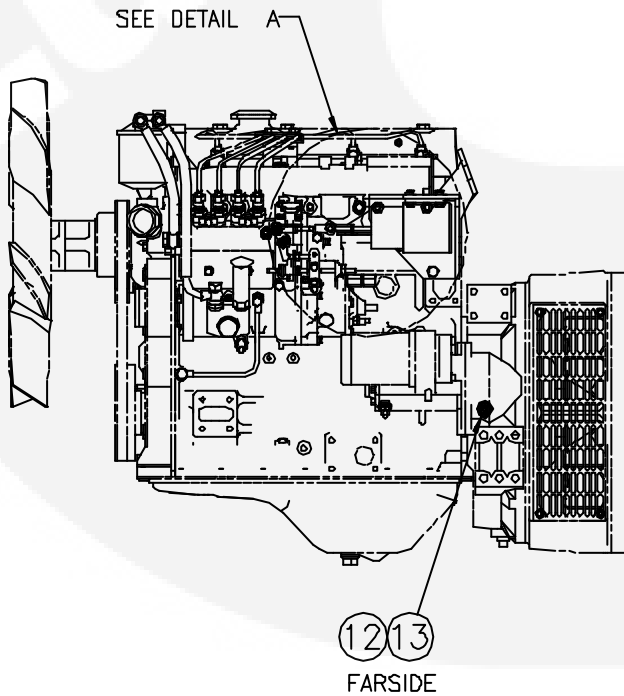
ITEM	PART NUMBER	DESCRIPTION	QTY
1	0155-4154-01	Muffler (Ind Inline 9dB)	1
1	0155-4158-01	Muffler (Ind Inline 25dB)	1
2	0155-4334	Pipe-Exhaust Flex	1
3	0155-4333-02	Elbow-Exhaust	1
4	0155-4285	Gasket	1
5	0305-1004	Clamp-'U' Bolt (80mm)	2
6	0800-3017-18	Screw-Hex HD (M8 x 16)	3
7	0850-0114-54	Washer-Lock (M8 Spring)	3
8	0526-0399-60	Washer-Flat (M8)	3

Electronic Governor Instl.



DETAIL B
FRONT VIEW OF CONTROL HOUSING

SEE DETAIL B



ITEM	PART NUMBER	DESCRIPTION	QTY
1	0150-2780-02	Bracket-Governor	1
2	0150-2887	Actuator-Linear	1
3	0850-0114-53	Washer-Lock (M6)	4
4	0800-3017-04	Screw-HHC (M6 x 20)	4
5	0150-2890	Joint-Ball	1
6	0150-2892	Clevis-Governor	1
7	0526-0399-59	Washer-Flat (M6)	6
8	0526-0018	Washer-Flat (1/4)	2
9	0800-0310-06	Screw-HHC (1/4-20 UNC)	1
10	0862-0001	Nut-Hex (1/4-20 UNC)	1
11	0800-3017-48	Screw-HHC (M10 x 80)	3
12	0502-1400-02	Adapter-Bushing	1
13	0150-2651	Speed Sensor-Mag	1
14	0862-0026-54	Nut-Hex (M6)	3
15	0327-1507	PCB Assy (Dynamo Governor)	1
16	0526-0399-56	Washer-Flat (M5)	8
17	0800-0309-91	Screw-Hex HD (M5)	4
18	0850-0114-52	Washer-Lock (M5)	4

Cummins



Cummins Power Generation Limited
Columbus Avenue,
Manston Park,
Manston, Ramsgate,
Kent. CT12 5BF.
England.
Telephone +44 (0) 1843 255000
Fax +44 (0) 1843 255902
Spares No +44 (0) 1843 255948
Spares Fax +44 (0) 1843 255913
E-Mail cpg.uk@cummins.com

Cummins Power Generation ©2006

